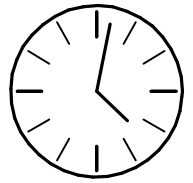
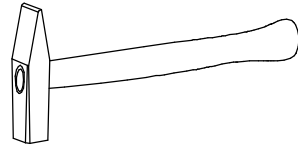
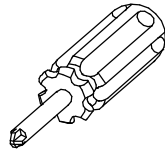
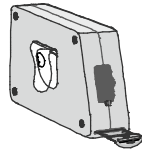
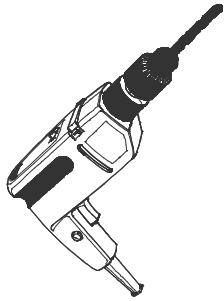
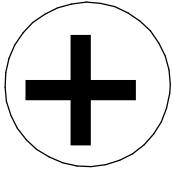
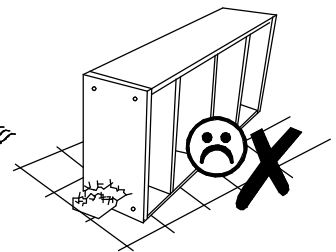
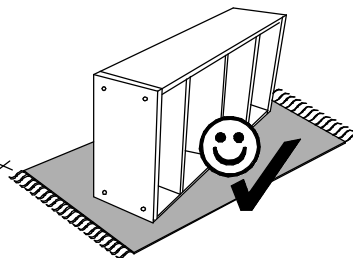
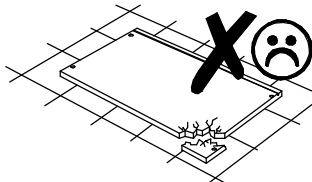
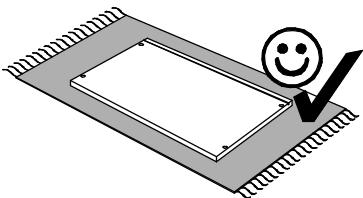
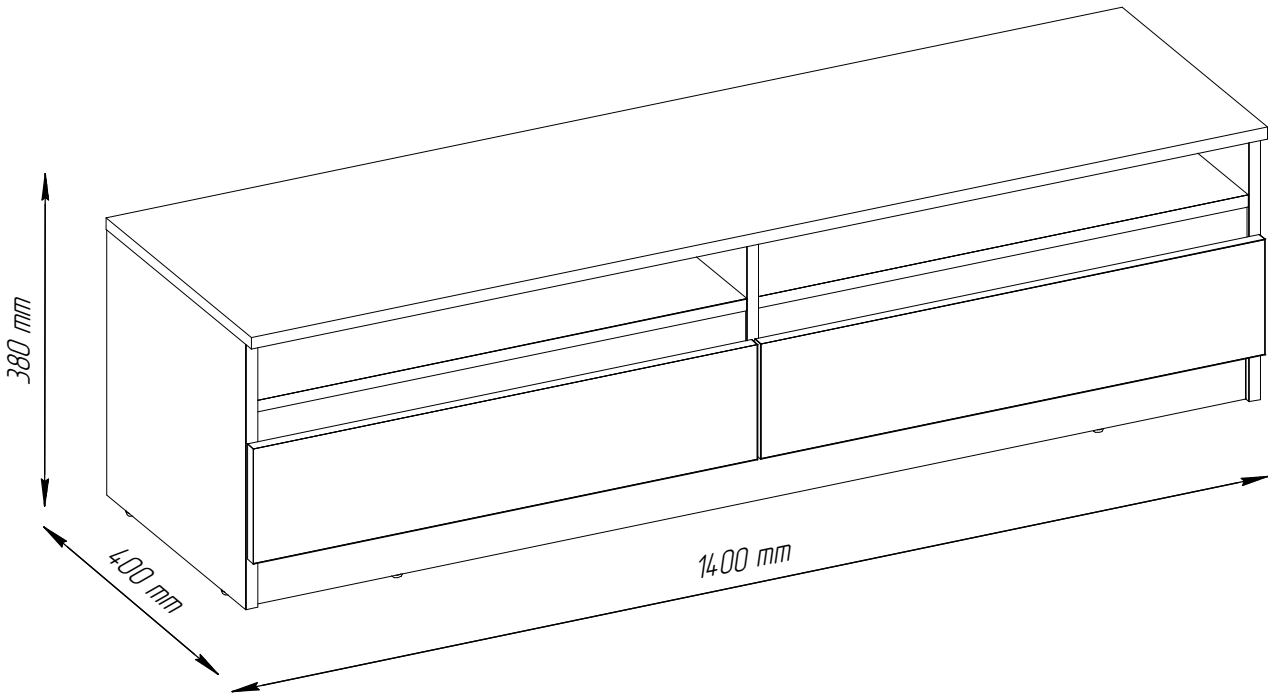
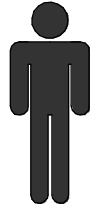
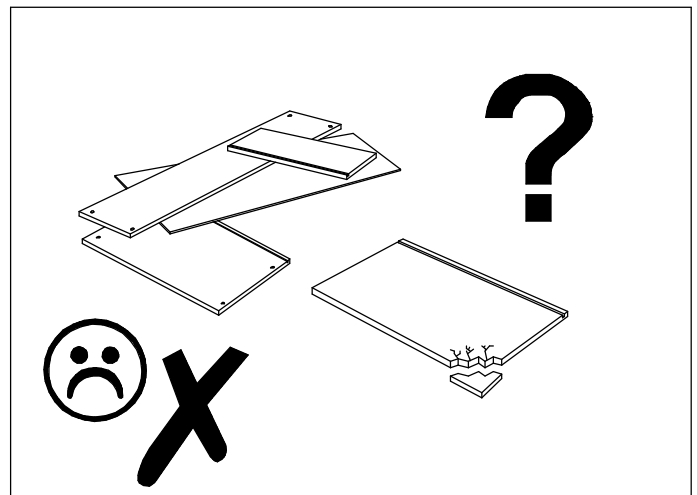
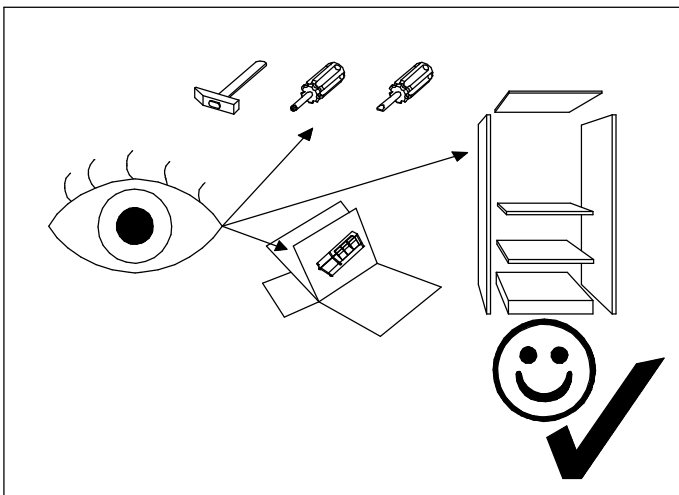
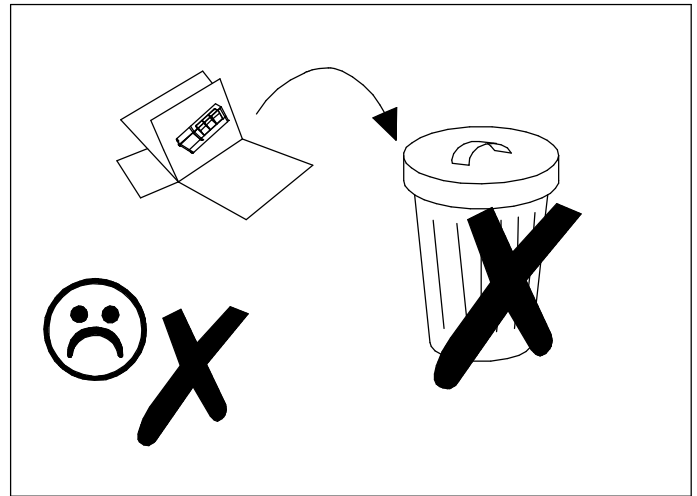
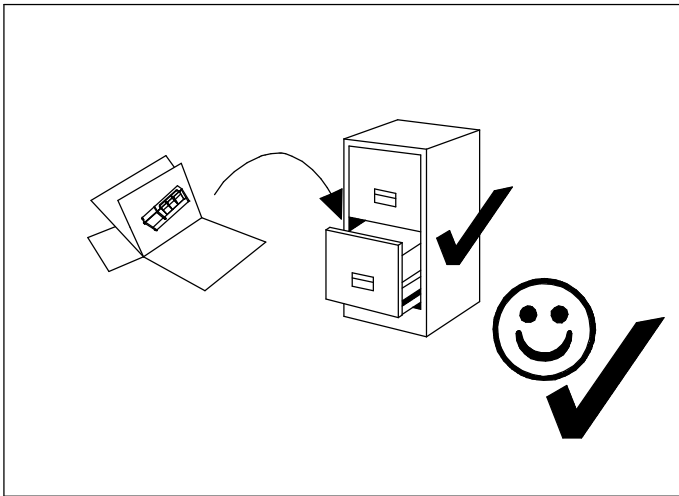
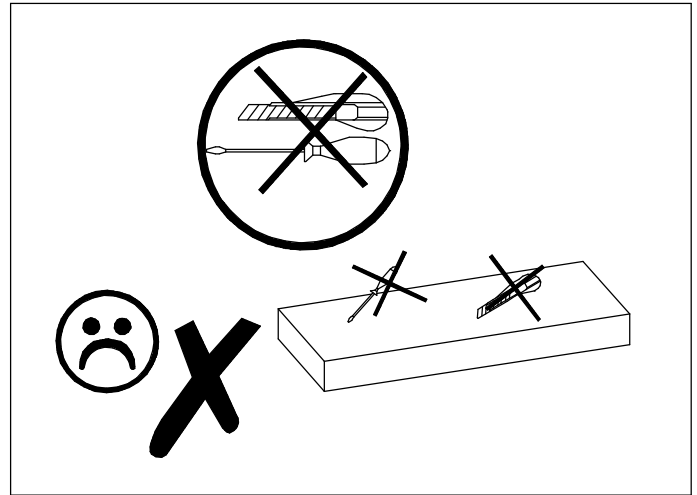
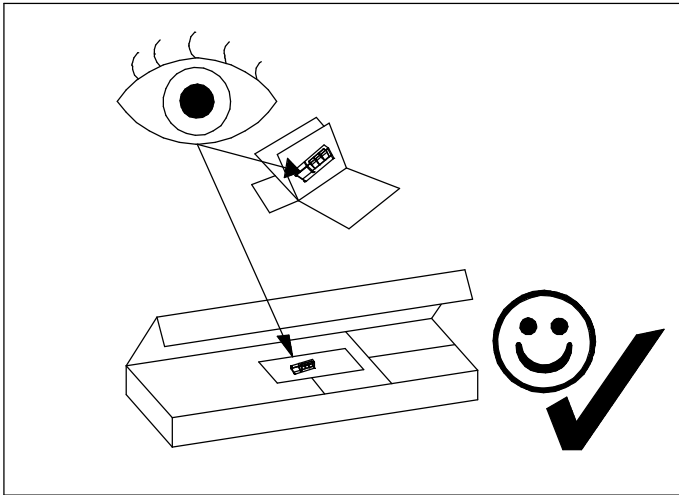


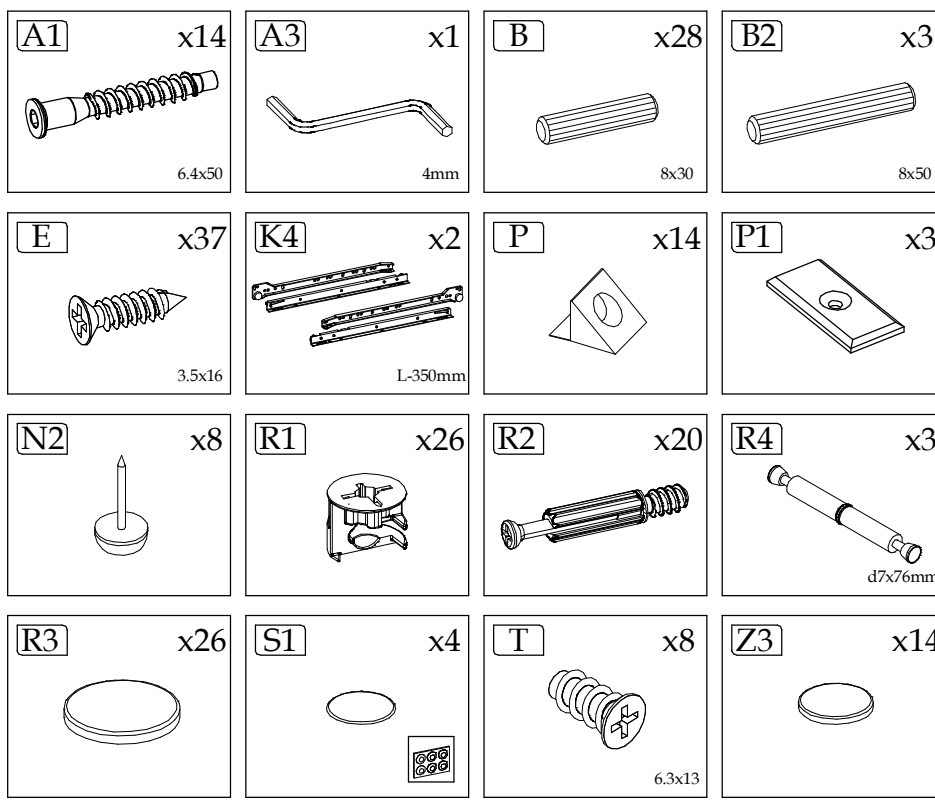
GL LALA 140



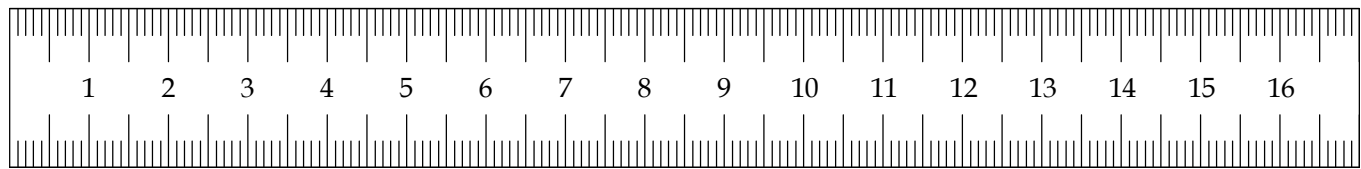
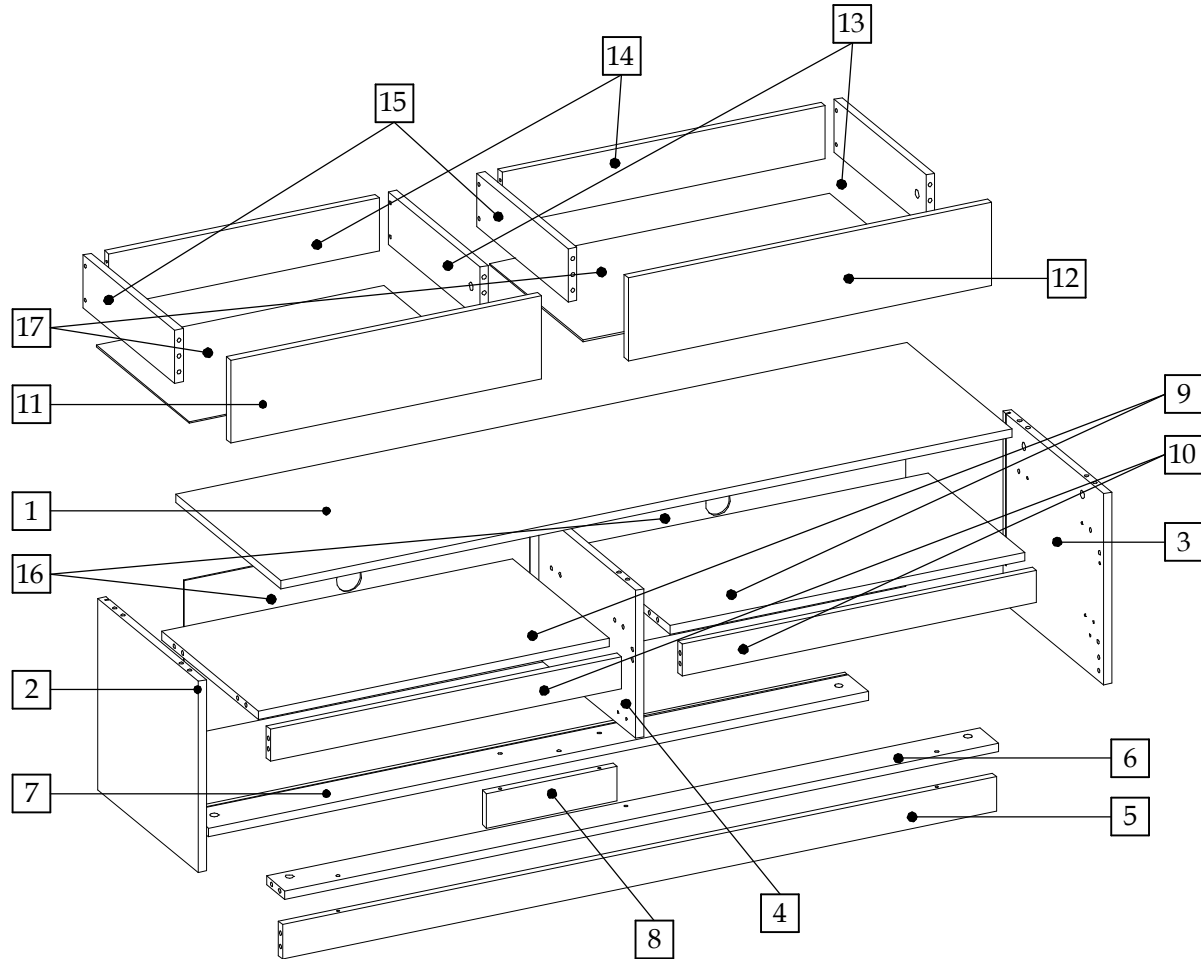
70 min

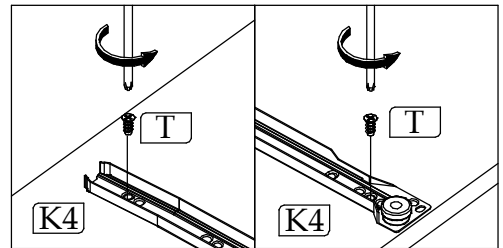
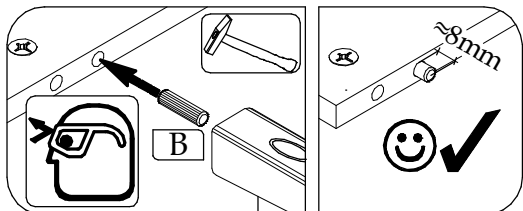
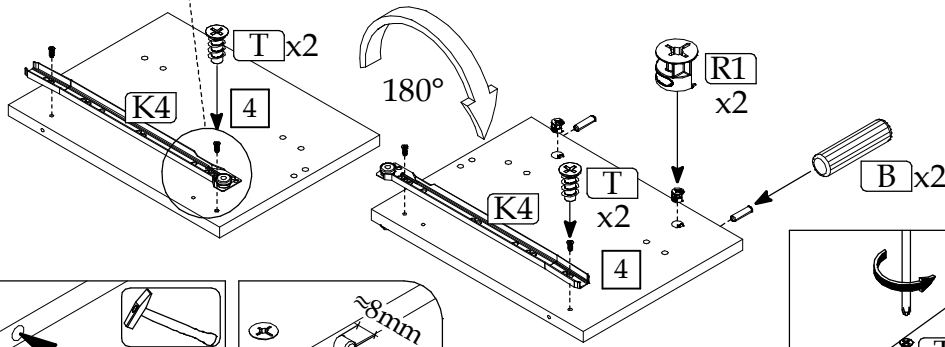
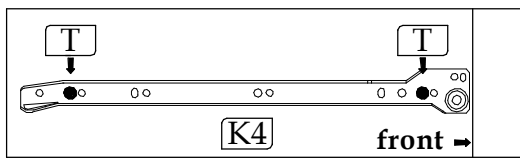
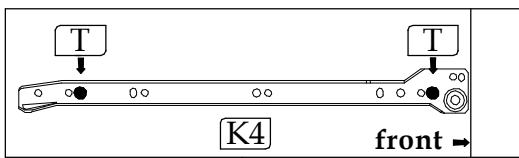
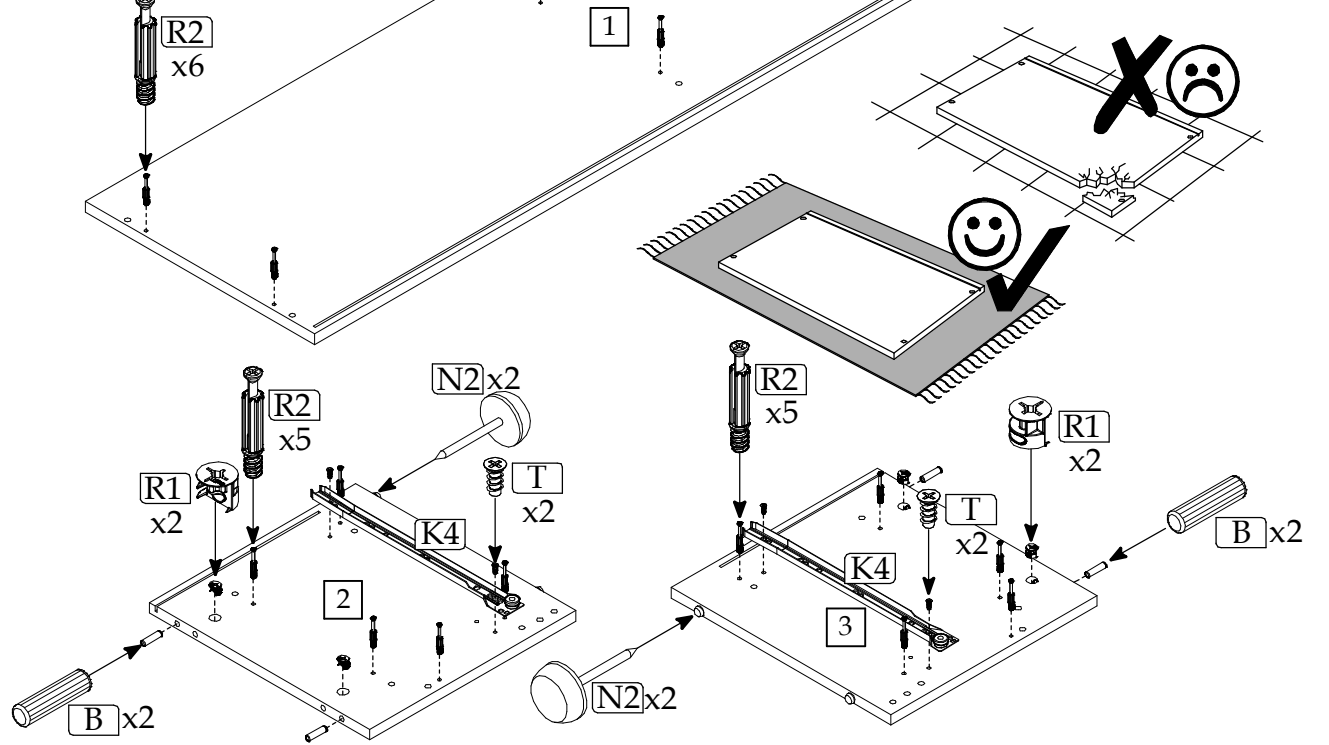
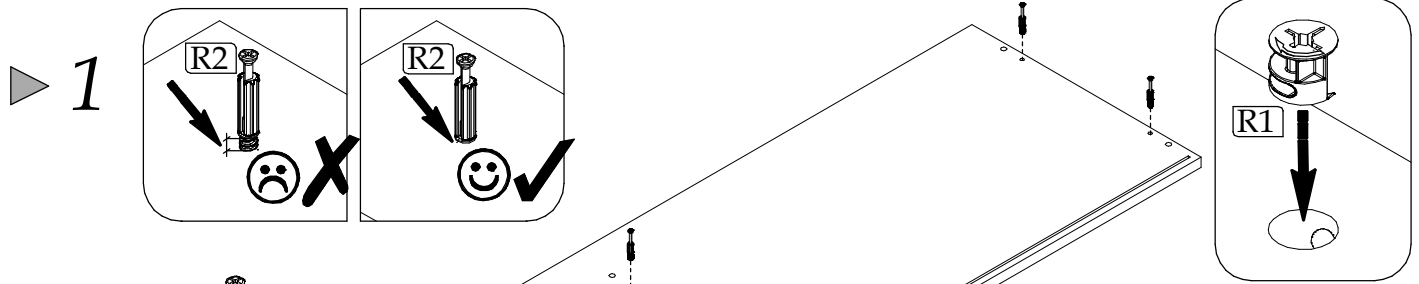
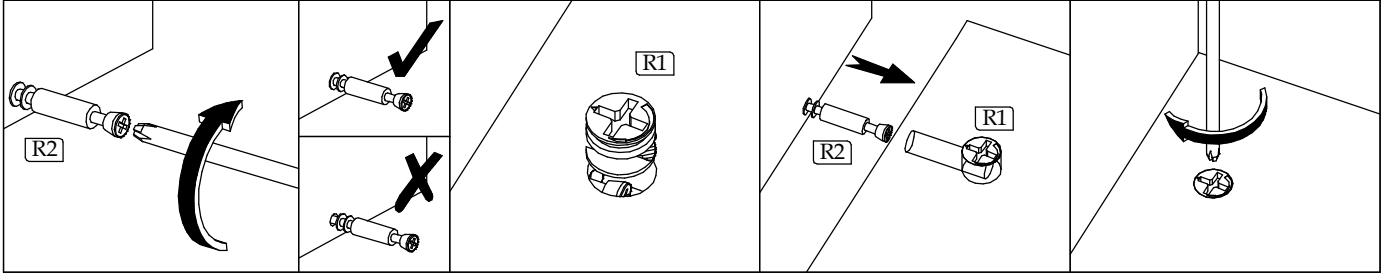




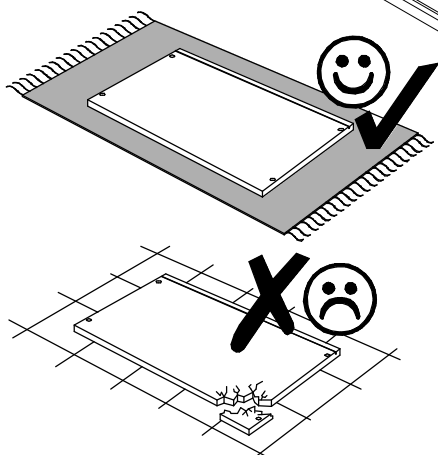
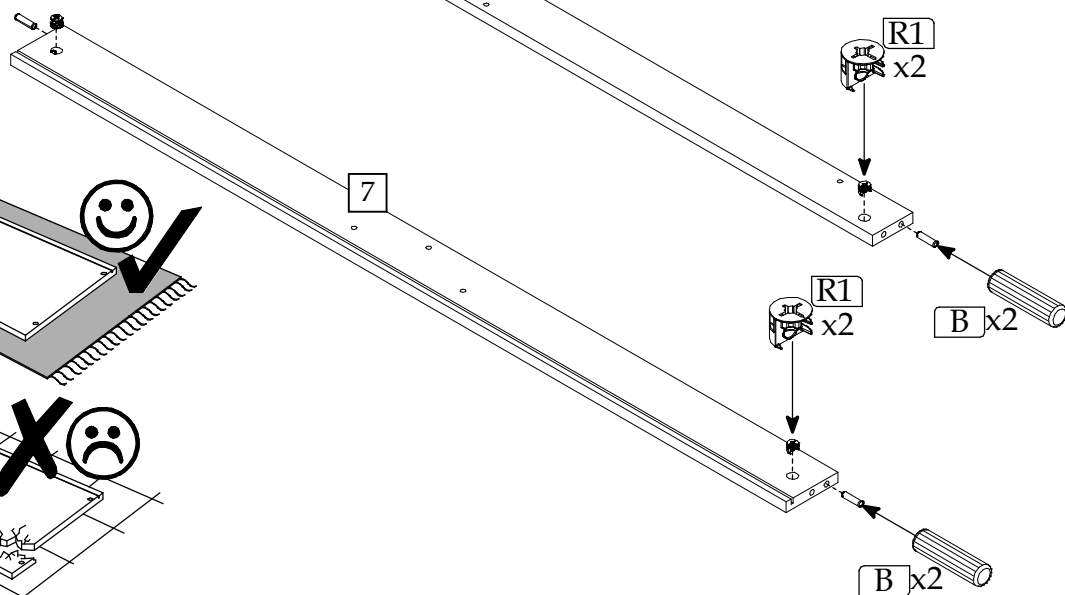
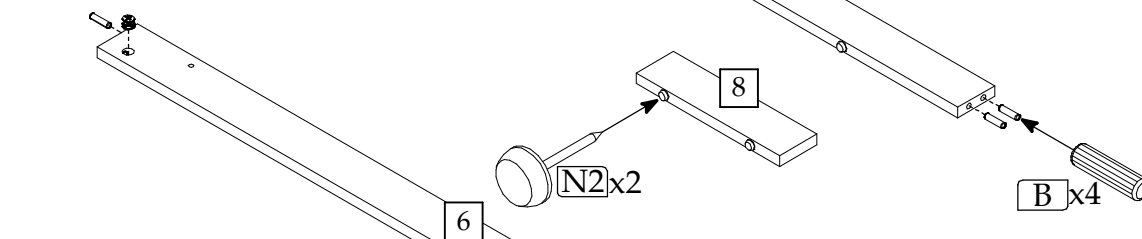
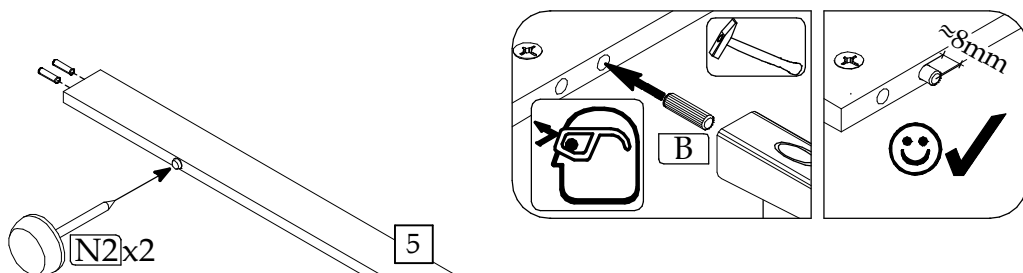
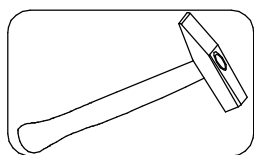
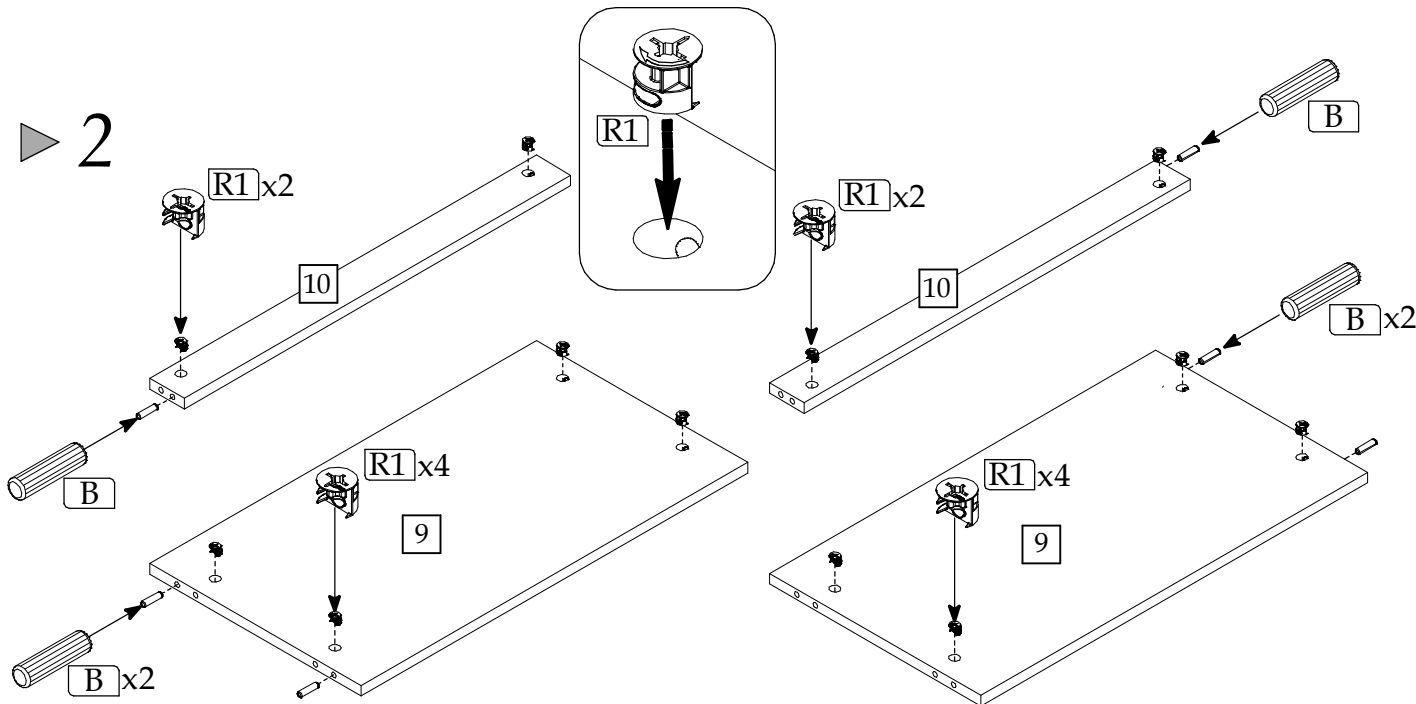


Element symbol	Measurements				Code	Paket
1	1400	400	16	1	1002	2/2
2	359	383	16	1	1003	1/2
3	359	383	16	1	1004	1/2
4	278	369	16	1	1016/2016	1/2
5	1366	65	16	1	1005	2/2
6	1366	70	16	1	1008	2/2
7	1366	90	16	1	1006	2/2
8	250	65	16	1	1007	1/2
9	675	368.5	16	2	1010/17	1/2
10	675	60	16	2	1001/23	1/2
11	695	156	16	1	1011	2/2
12	695	156	16	1	1018	2/2
13	350	99.5	16	2	1012/19	1/2
14	618	99.5	16	2	1013/20	1/2
15	350	99.5	16	2	1014/21	1/2
16	690	292	3	2	1040_v	2/2
17	650	355	3	2	N/A	2/2

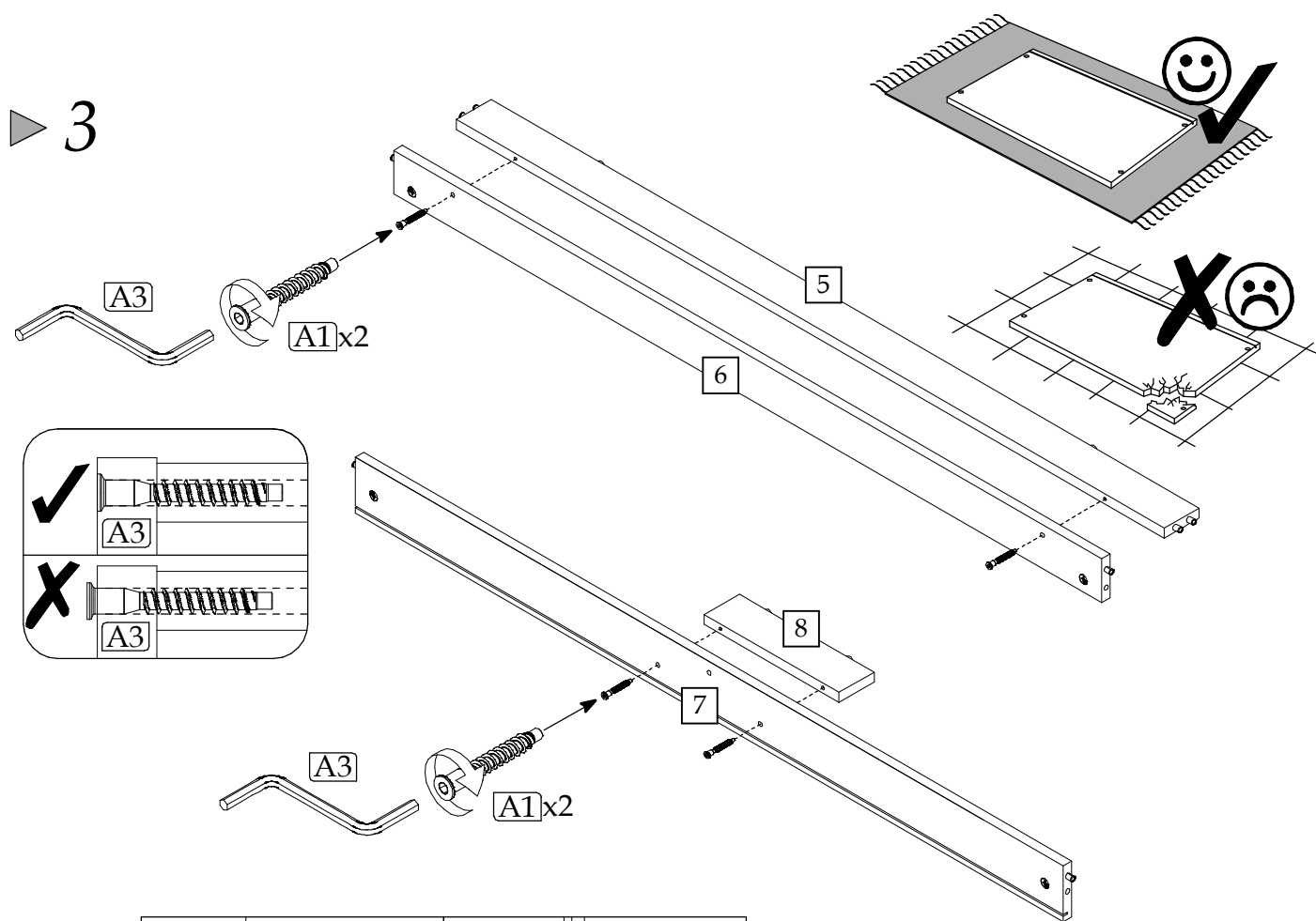




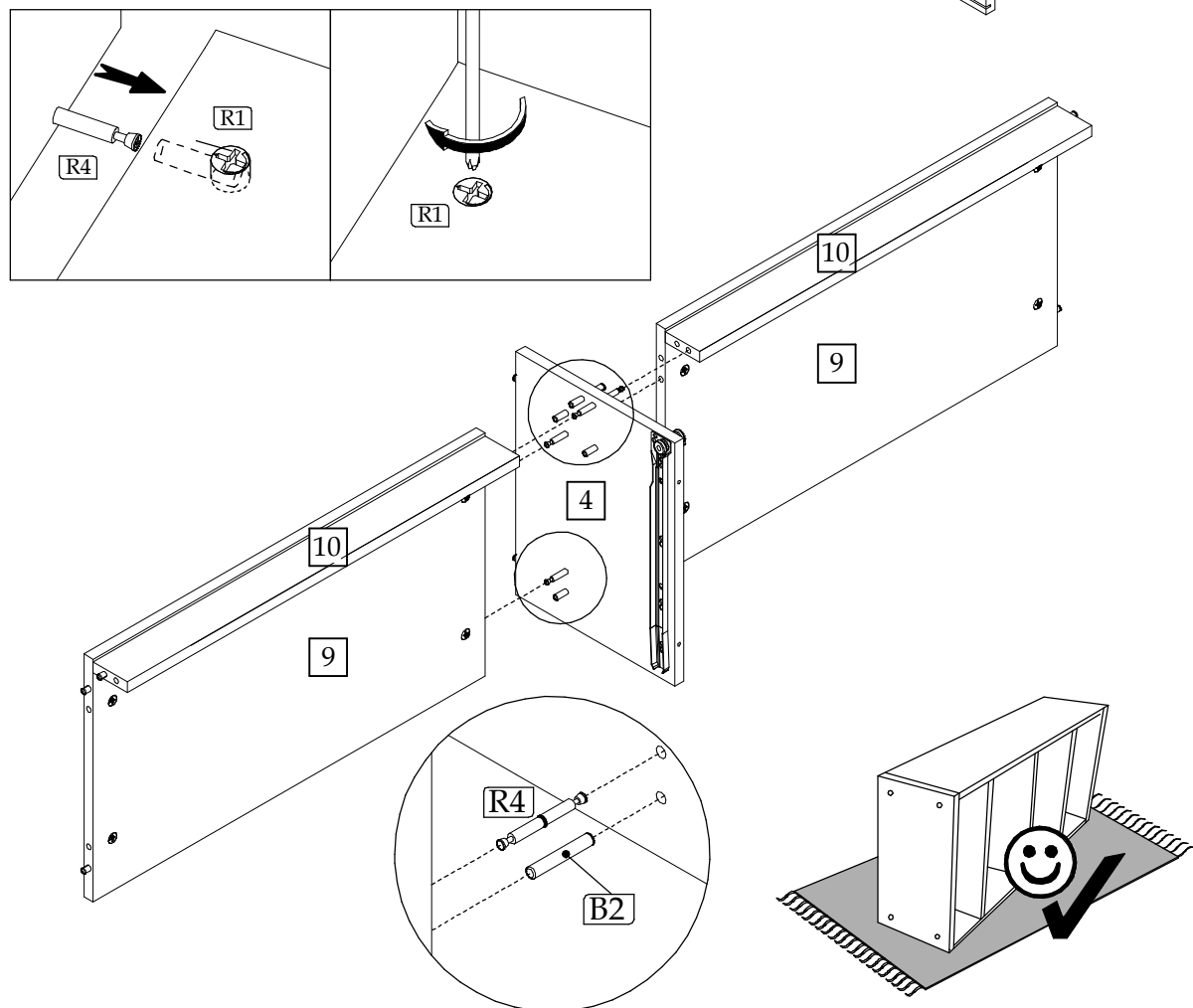
▶ 2



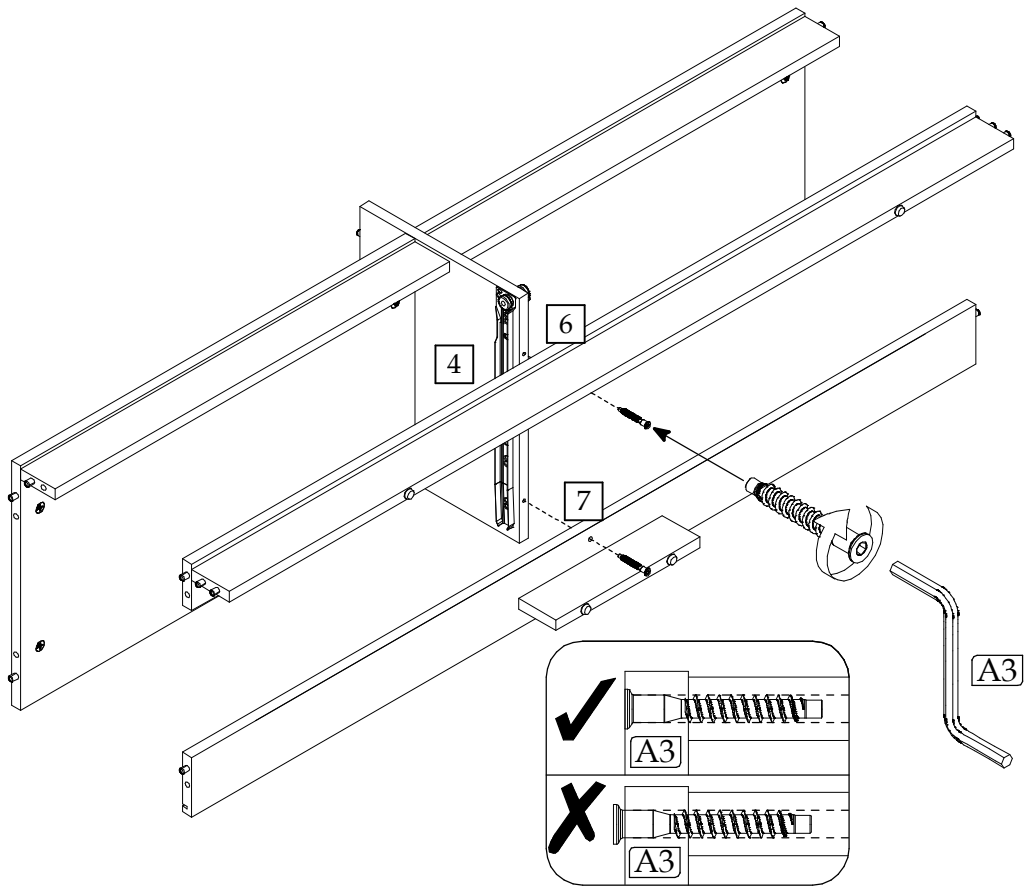
▶ 3



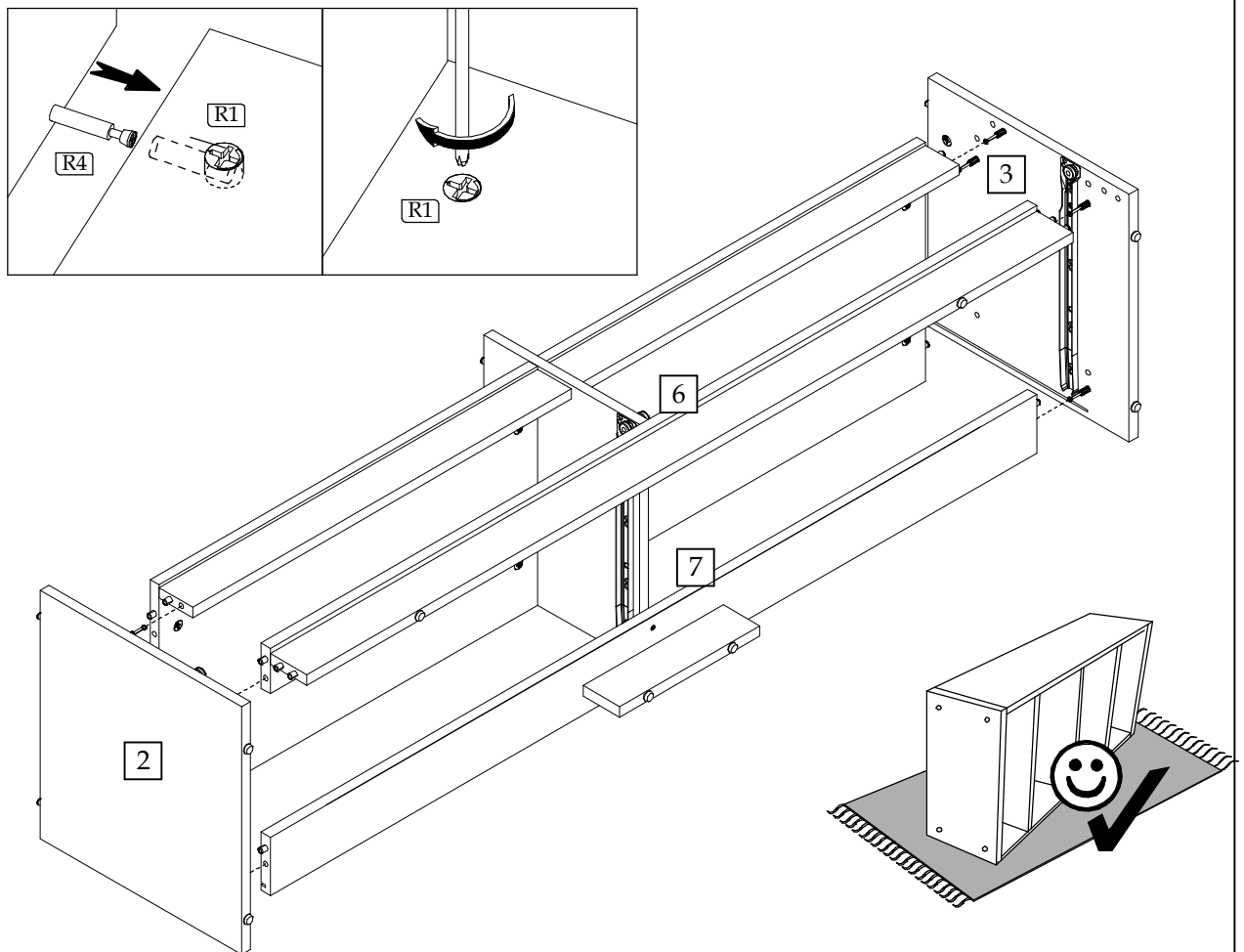
▶ 4



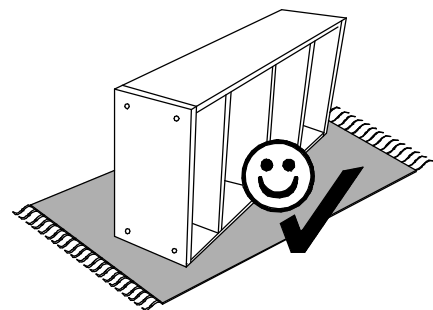
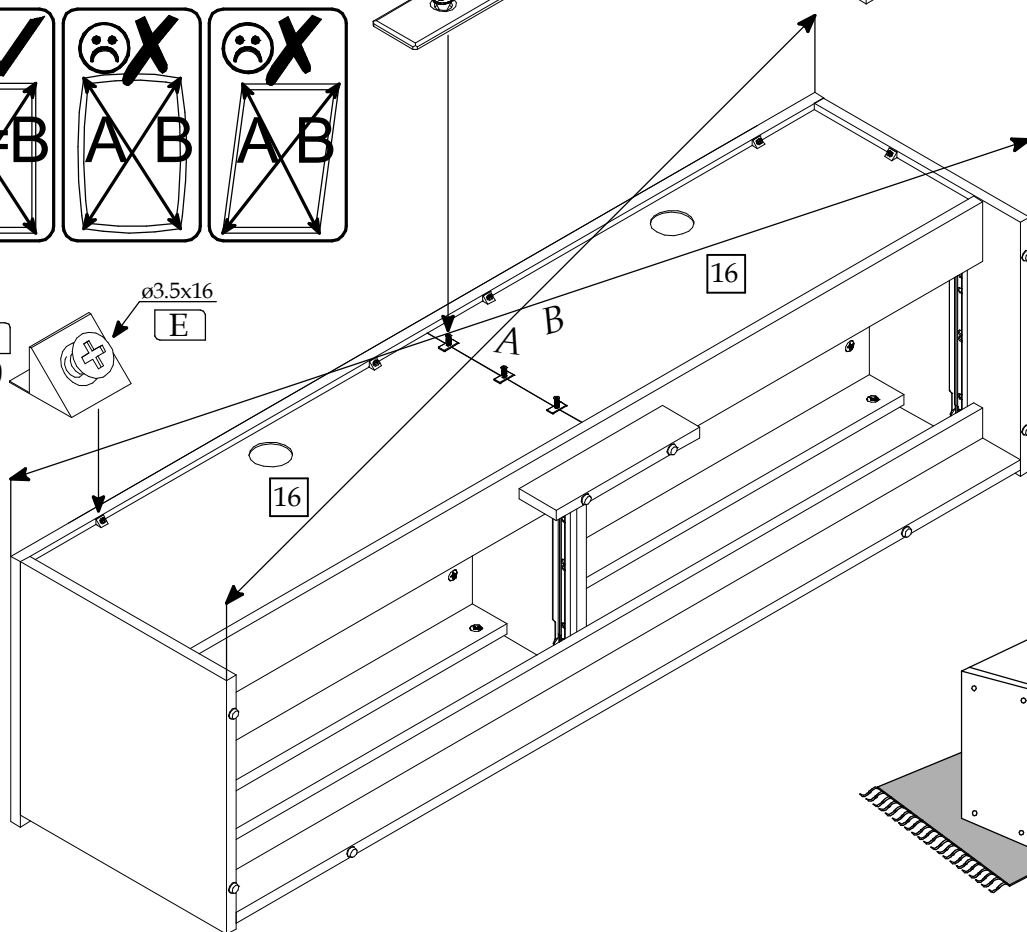
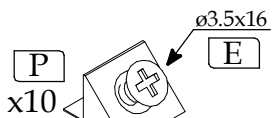
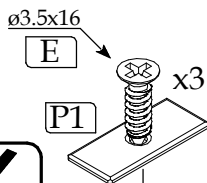
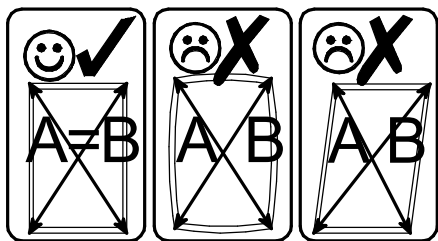
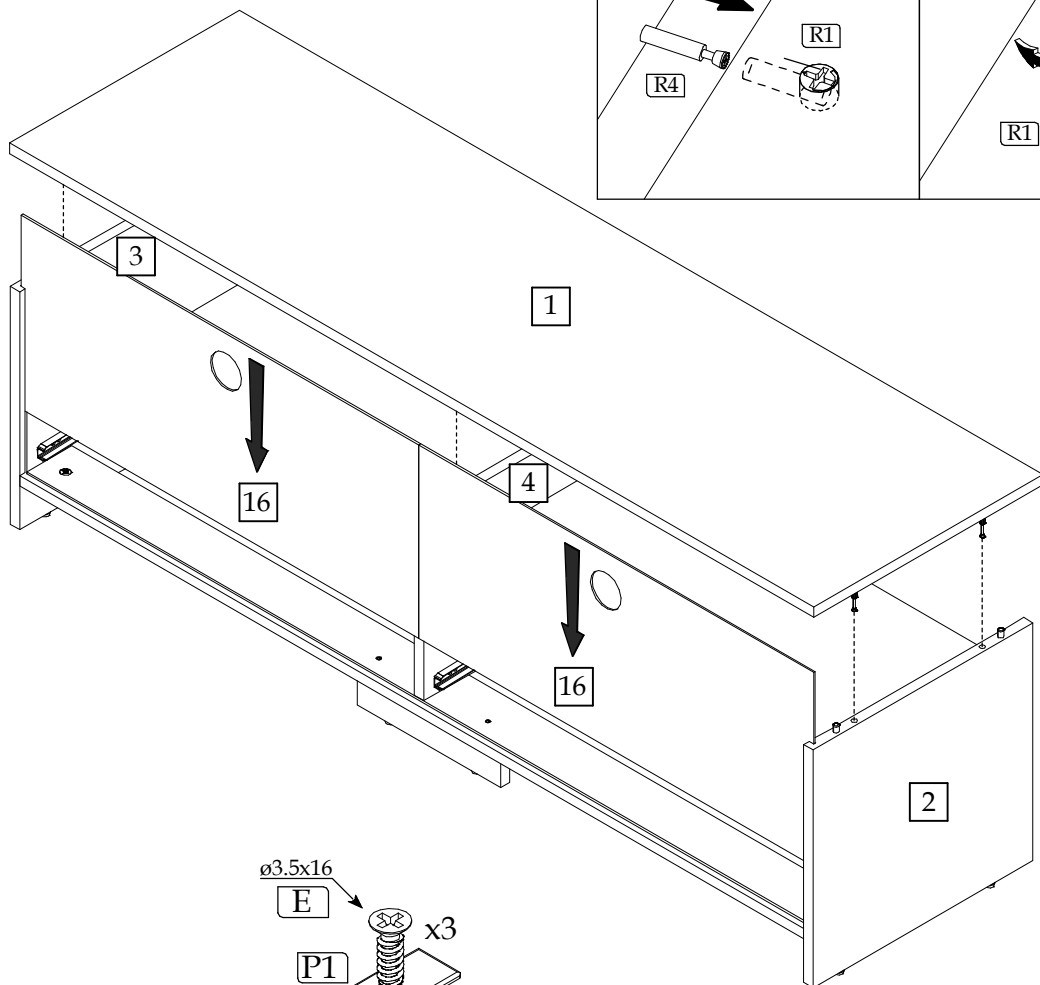
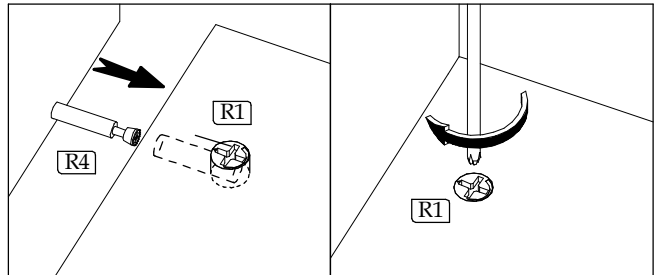
► 5



► 6



▶ 7



8

