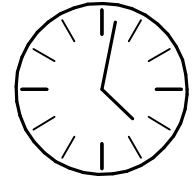
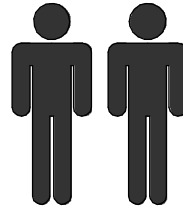
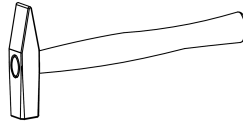
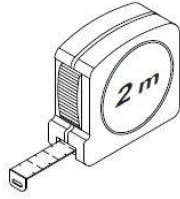
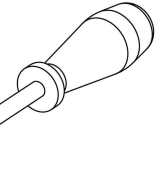
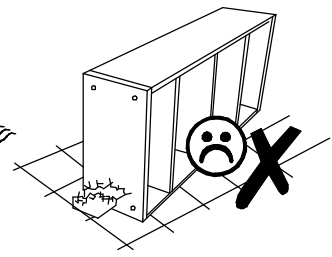
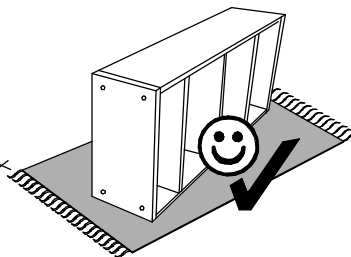
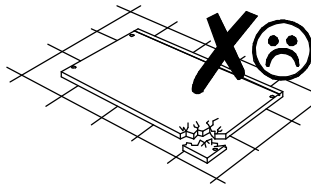
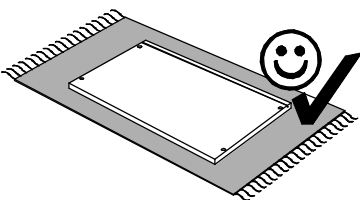
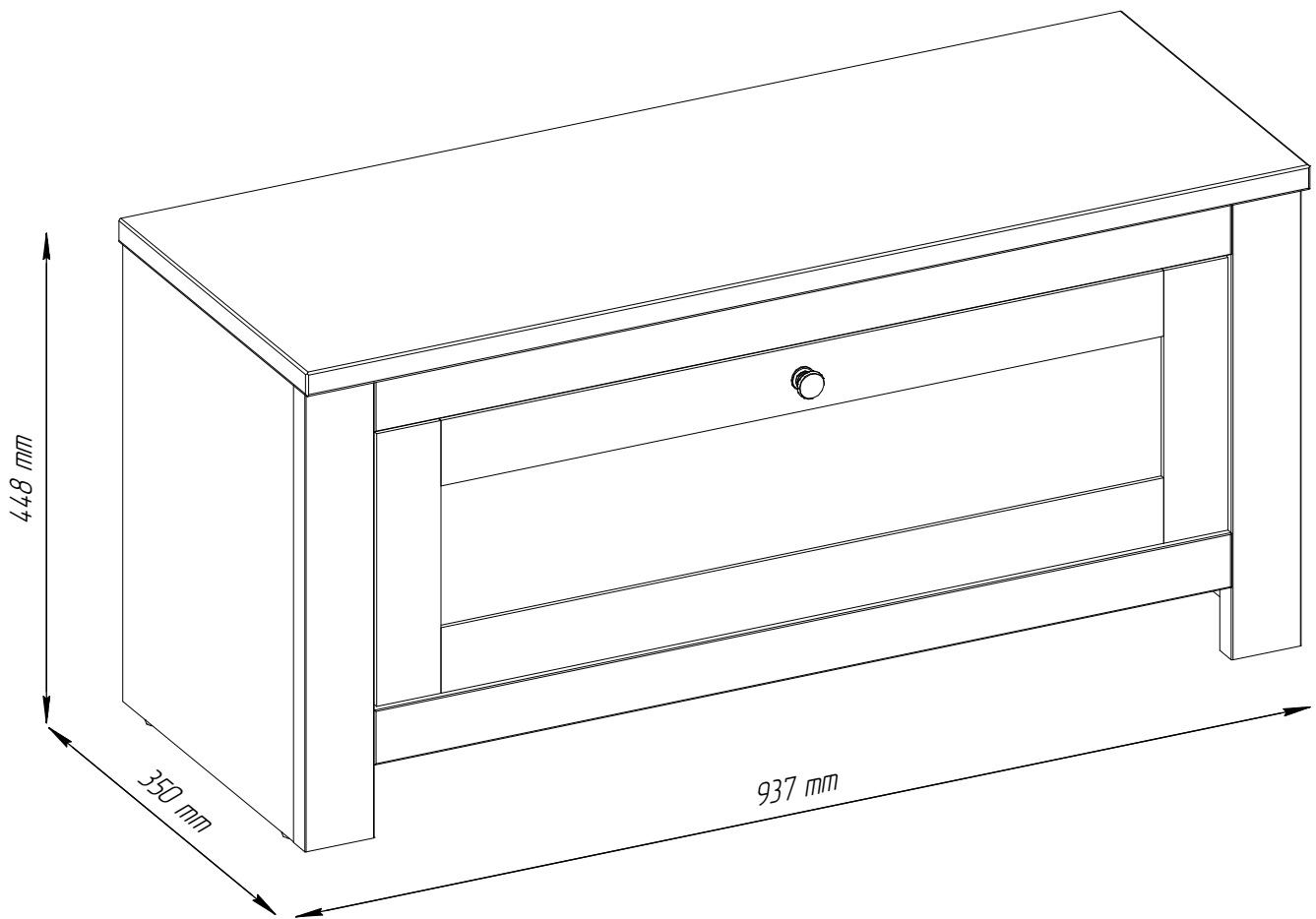
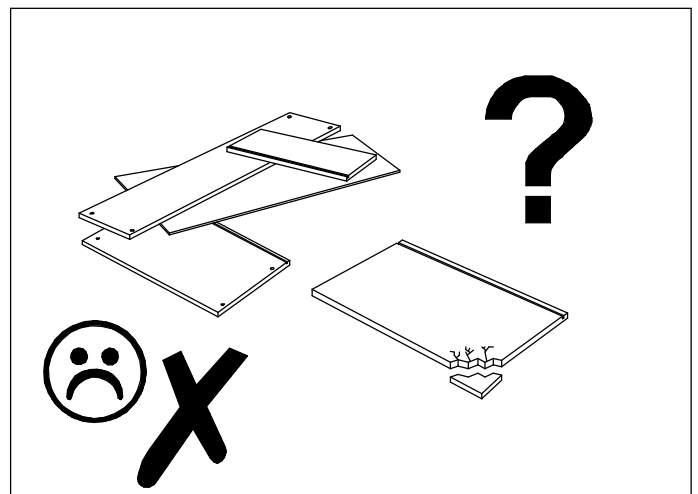
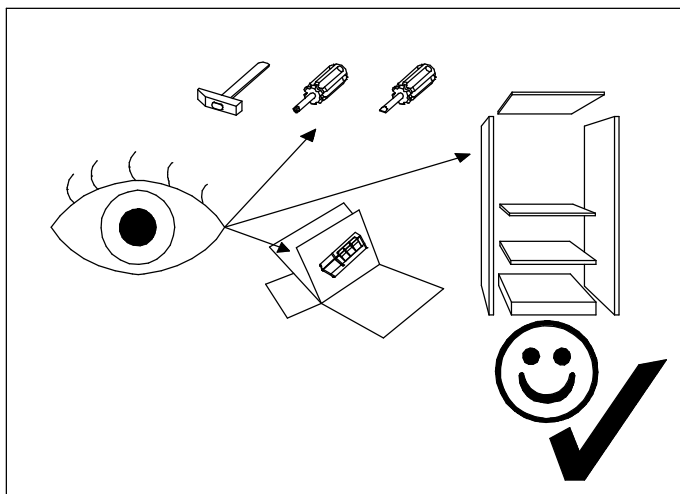
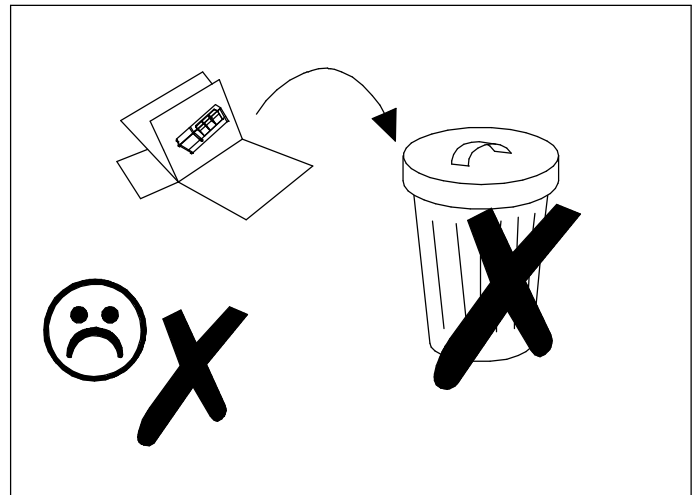
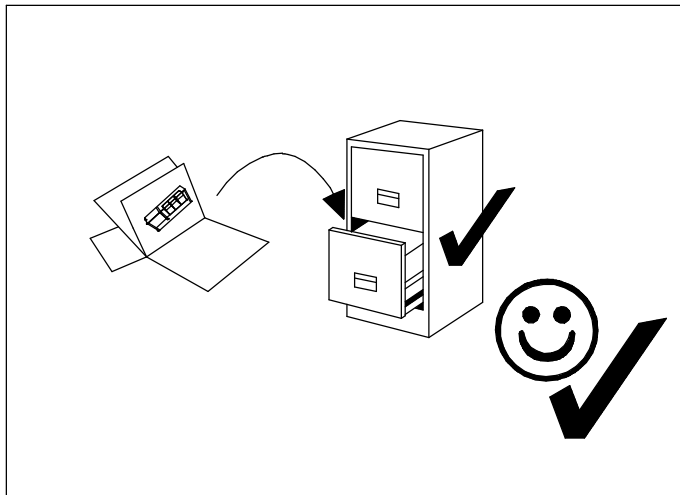
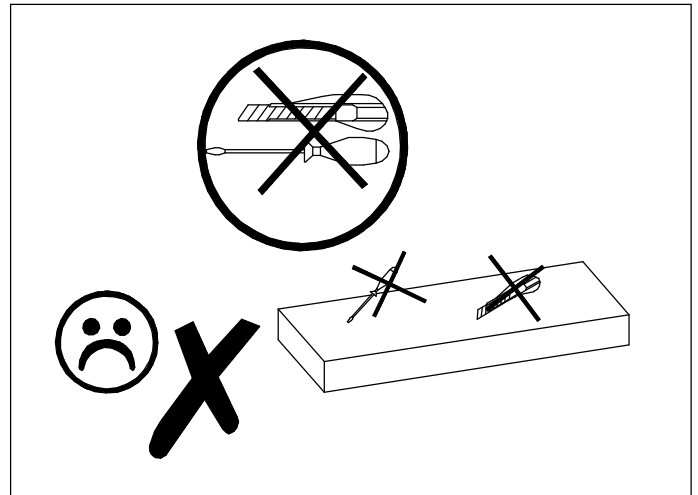
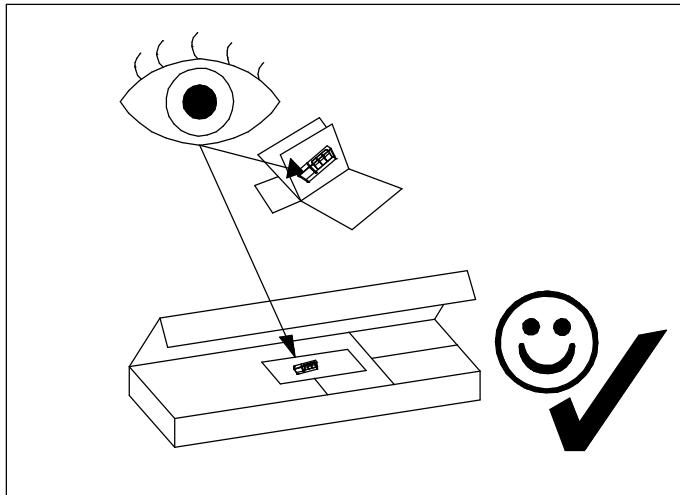


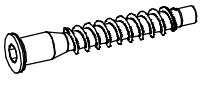



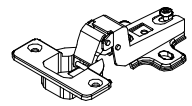
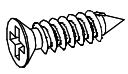
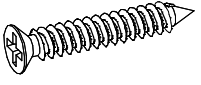
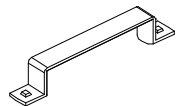
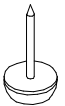
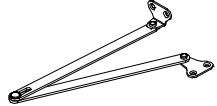
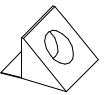



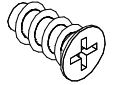
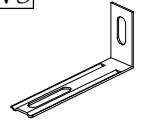
# LANZETTE N

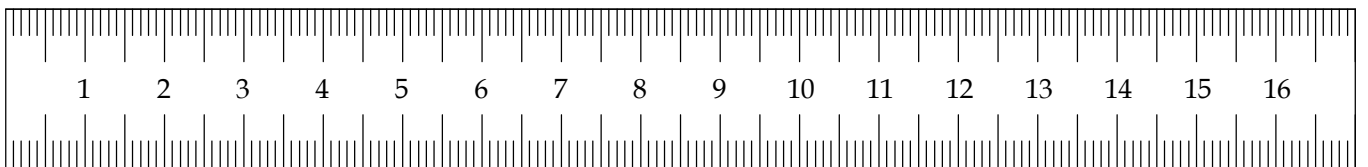
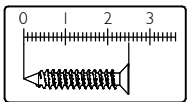
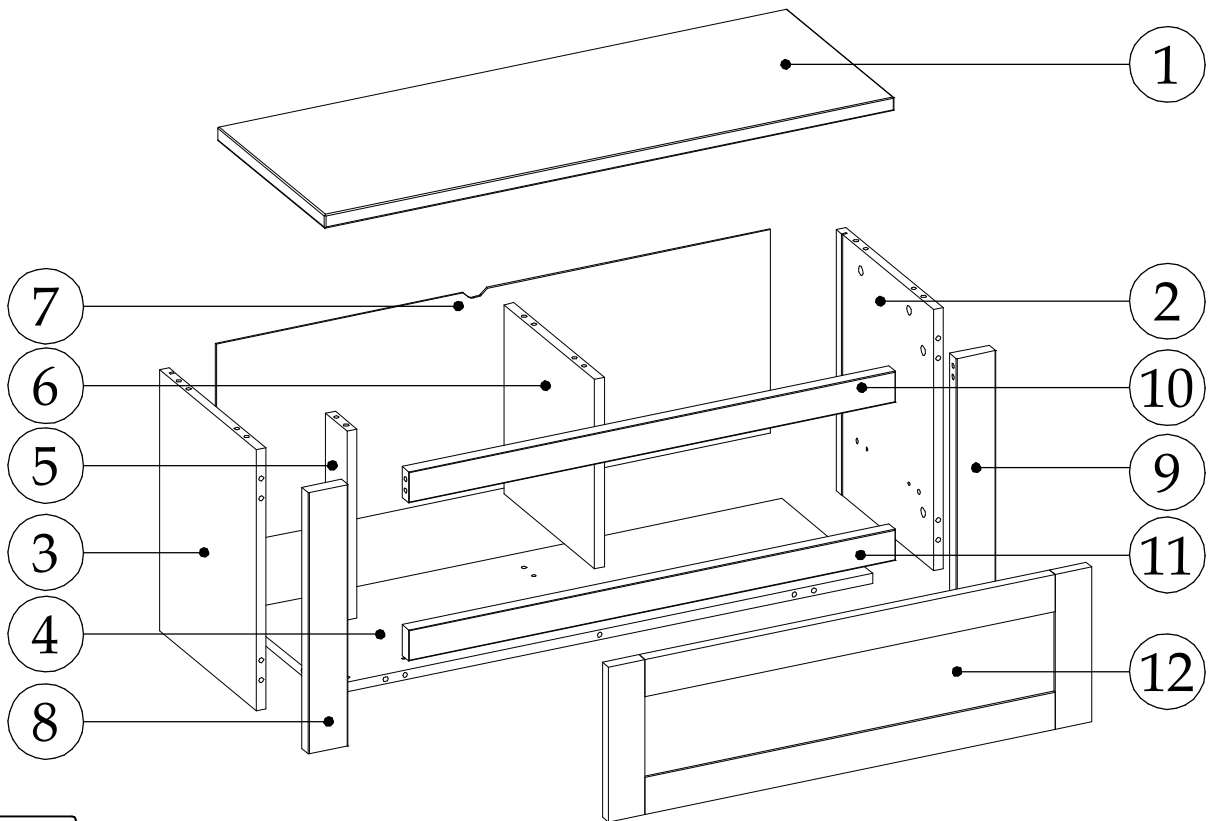


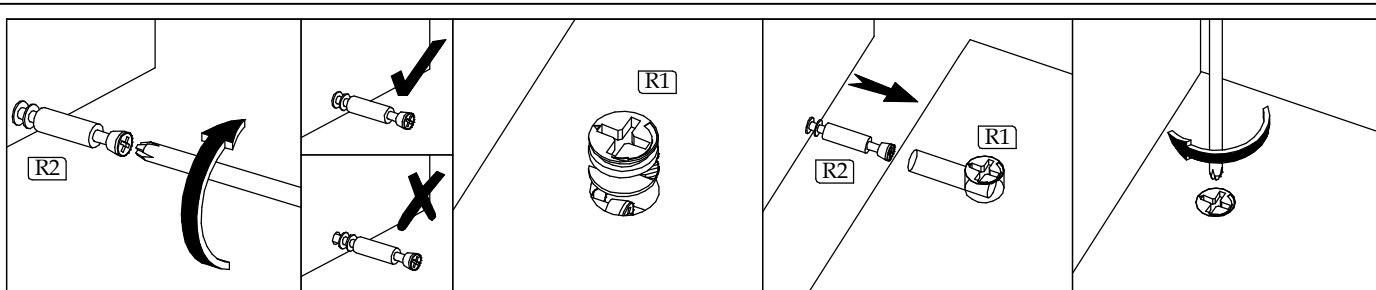
60 min



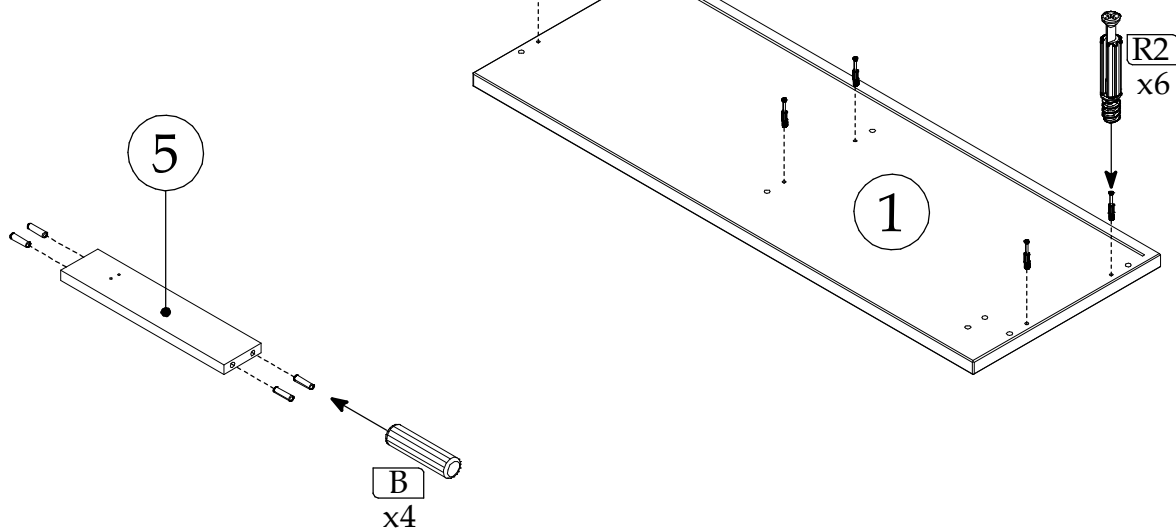
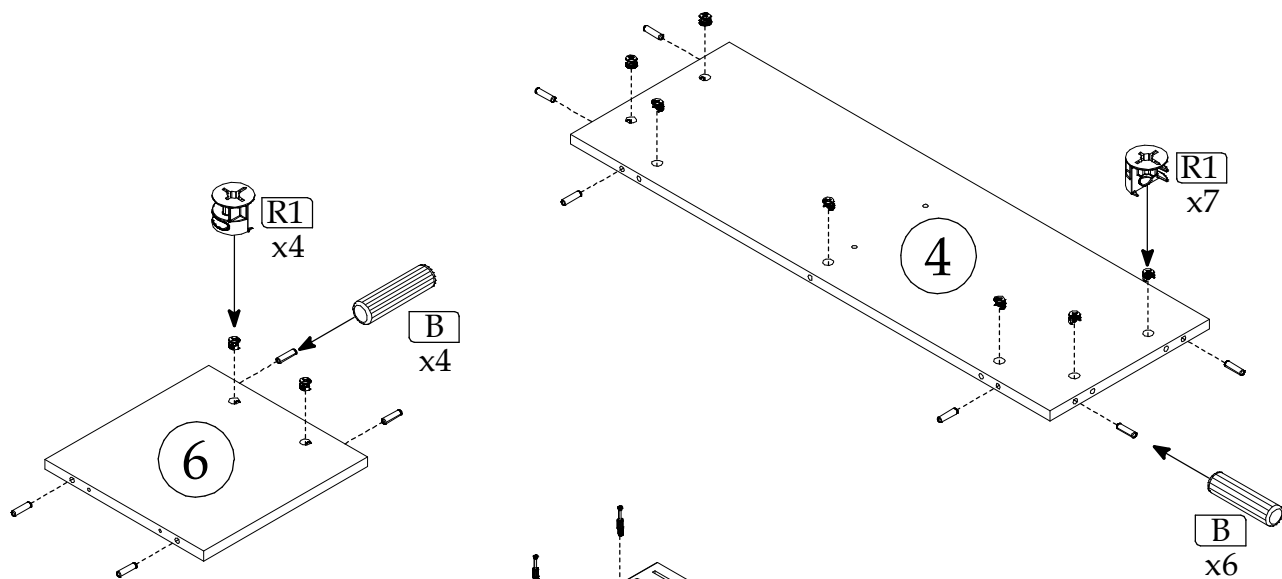
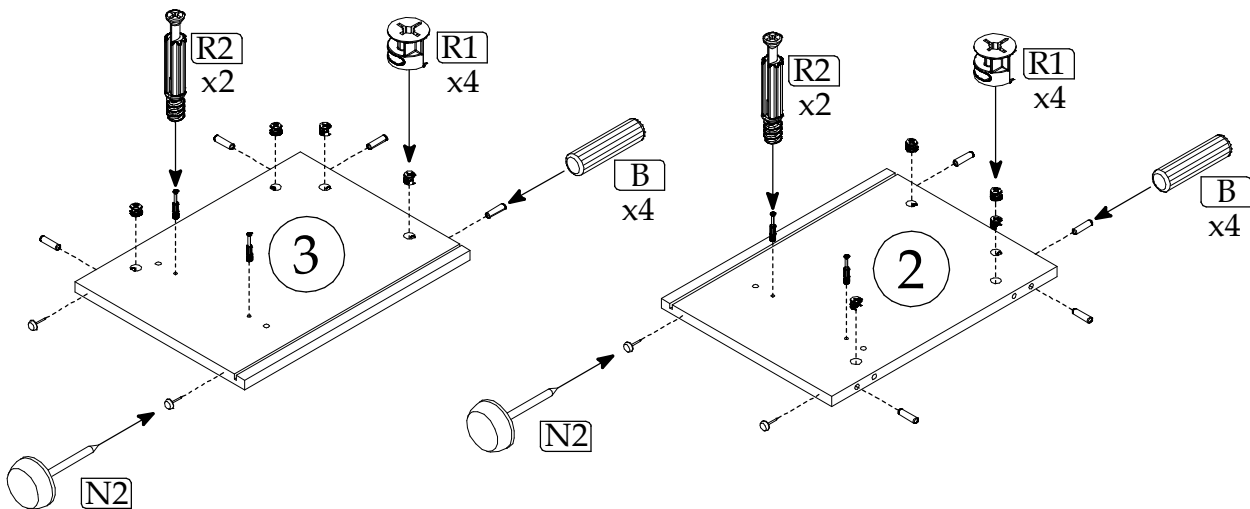


<b>A1</b> x2  6.4x50	<b>A3</b> x1  4mm	<b>B</b> x22  8x30	<b>B2</b> x4  8x50	<b>C4</b> x2 	<b>E</b> x23  3.5x16																																																																																															
<b>E5</b> x2  4x35	<b>M</b> x1 	<b>N2</b> x4 	<b>N4</b> x1 	<table border="1"> <thead> <tr> <th rowspan="2">Element symbol</th> <th colspan="4">Measurements</th> <th rowspan="2">Code</th> <th rowspan="2">Paket</th> </tr> <tr> <th>1</th> <th>2</th> <th>3</th> <th>4</th> </tr> </thead> <tbody> <tr><td>1</td><td>937</td><td>350</td><td>22</td><td>1</td><td>1002</td><td>1/1</td></tr> <tr><td>2</td><td>421</td><td>318</td><td>16</td><td>1</td><td>1003</td><td>1/1</td></tr> <tr><td>3</td><td>421</td><td>318</td><td>16</td><td>1</td><td>1004</td><td>1/1</td></tr> <tr><td>4</td><td>897</td><td>298</td><td>16</td><td>1</td><td>1005</td><td>1/1</td></tr> <tr><td>5</td><td>305.5</td><td>70</td><td>16</td><td>1</td><td>1064</td><td>1/1</td></tr> <tr><td>6</td><td>305.5</td><td>297</td><td>16</td><td>1</td><td>1009</td><td>1/1</td></tr> <tr><td>7</td><td>911</td><td>328.5</td><td>3</td><td>1</td><td>1006</td><td>1/1</td></tr> <tr><td>8</td><td>421</td><td>65</td><td>22</td><td>1</td><td>3001</td><td>1/1</td></tr> <tr><td>9</td><td>421</td><td>65</td><td>22</td><td>1</td><td>3002</td><td>1/1</td></tr> <tr><td>10</td><td>800</td><td>50</td><td>22</td><td>1</td><td>3003</td><td>1/1</td></tr> <tr><td>11</td><td>800</td><td>50</td><td>22</td><td>1</td><td>3004</td><td>1/1</td></tr> <tr><td>12</td><td>795</td><td>250</td><td>19</td><td>1</td><td>3005</td><td>1/1</td></tr> </tbody> </table>		Element symbol	Measurements				Code	Paket	1	2	3	4	1	937	350	22	1	1002	1/1	2	421	318	16	1	1003	1/1	3	421	318	16	1	1004	1/1	4	897	298	16	1	1005	1/1	5	305.5	70	16	1	1064	1/1	6	305.5	297	16	1	1009	1/1	7	911	328.5	3	1	1006	1/1	8	421	65	22	1	3001	1/1	9	421	65	22	1	3002	1/1	10	800	50	22	1	3003	1/1	11	800	50	22	1	3004	1/1	12	795	250	19	1	3005	1/1
Element symbol	Measurements						Code	Paket																																																																																												
	1	2	3			4																																																																																														
1	937	350	22			1	1002	1/1																																																																																												
2	421	318	16			1	1003	1/1																																																																																												
3	421	318	16			1	1004	1/1																																																																																												
4	897	298	16			1	1005	1/1																																																																																												
5	305.5	70	16			1	1064	1/1																																																																																												
6	305.5	297	16			1	1009	1/1																																																																																												
7	911	328.5	3			1	1006	1/1																																																																																												
8	421	65	22			1	3001	1/1																																																																																												
9	421	65	22			1	3002	1/1																																																																																												
10	800	50	22	1	3003	1/1																																																																																														
11	800	50	22	1	3004	1/1																																																																																														
12	795	250	19	1	3005	1/1																																																																																														
<b>P</b> x5 	<b>R1</b> x17 	<b>R2</b> x17 	<b>R3</b> x7 																																																																																																	
<b>T</b> x4  6.3x13	<b>W3</b> x1 																																																																																																			

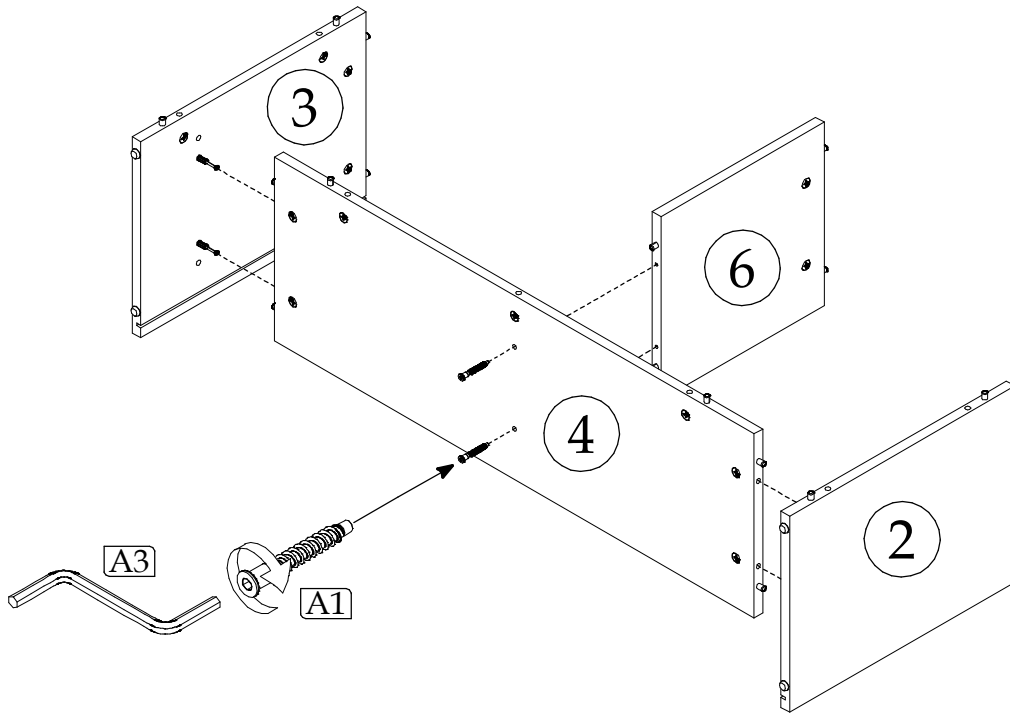




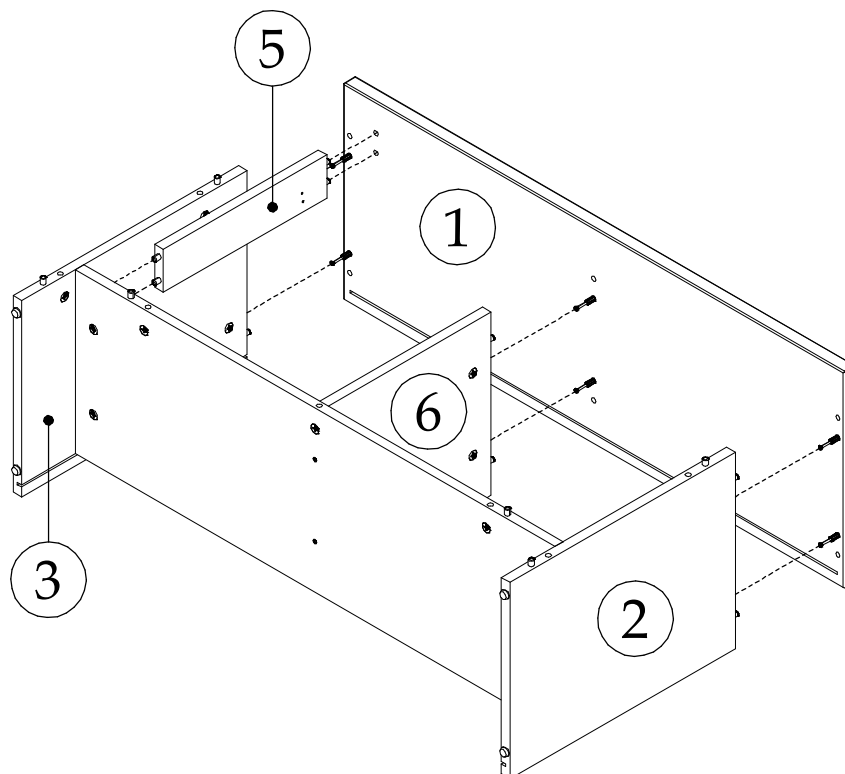
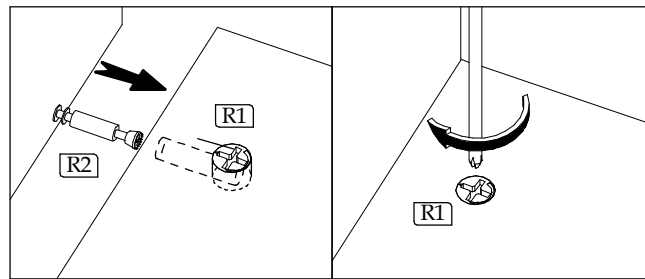
▶ 1



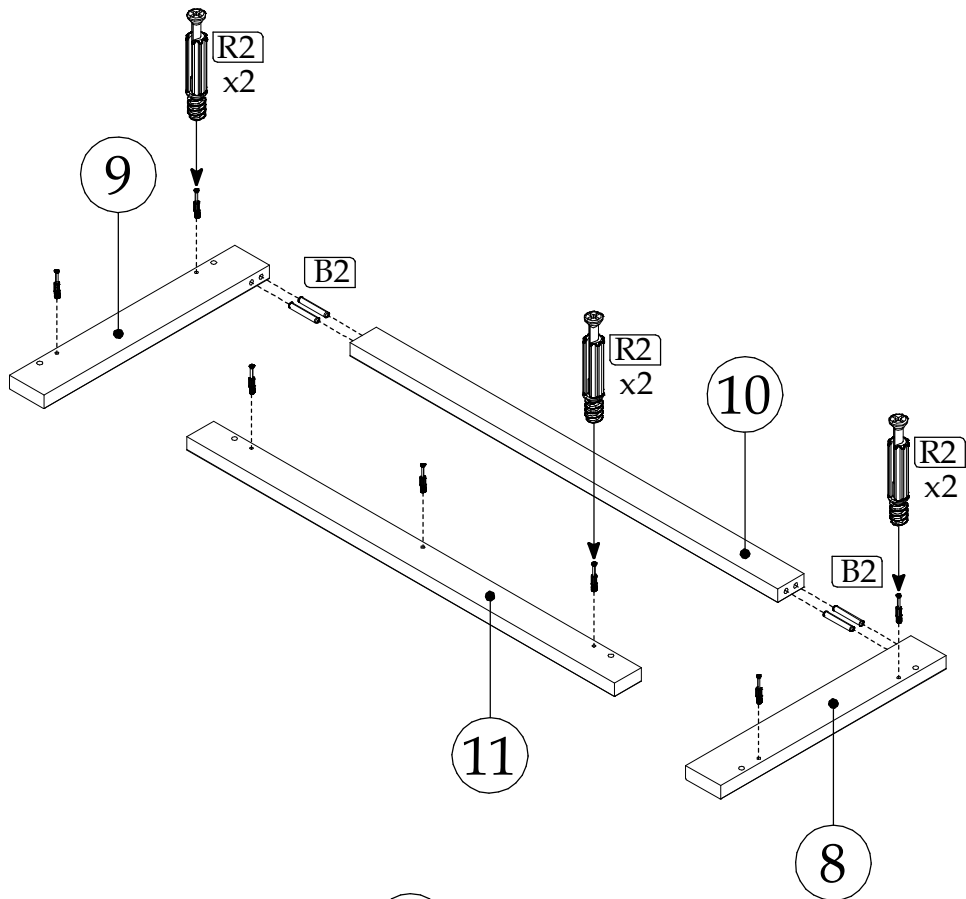
▶ 2



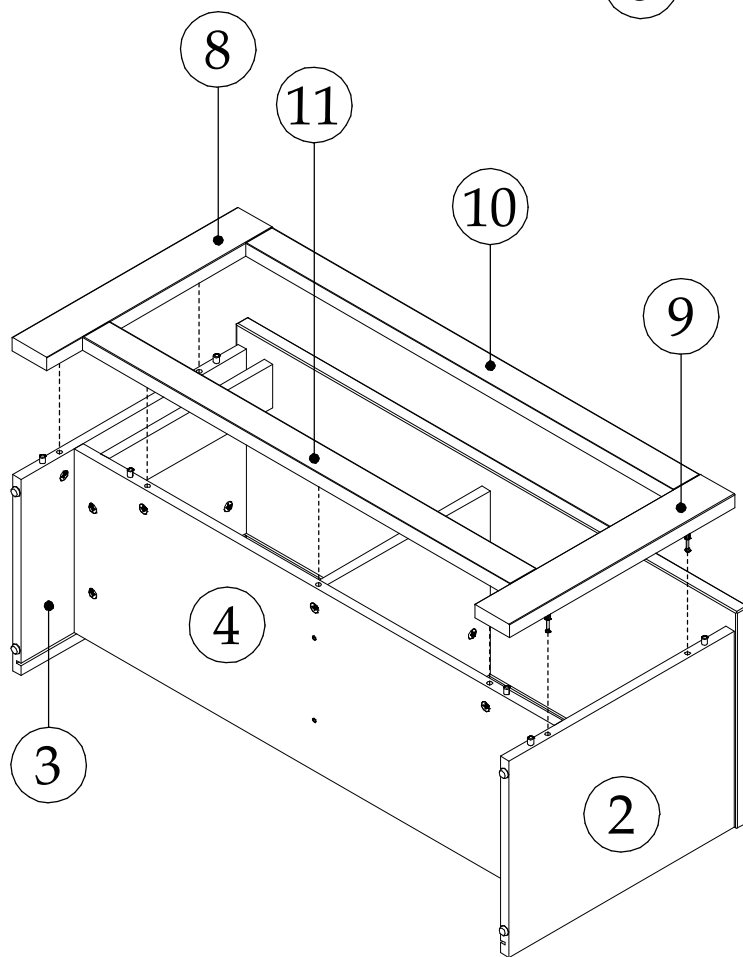
▶ 3



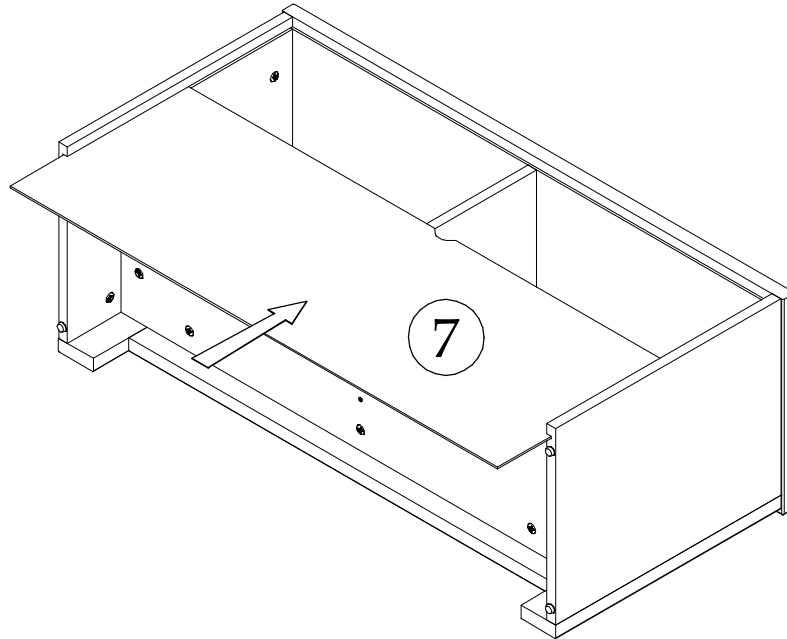
► 4



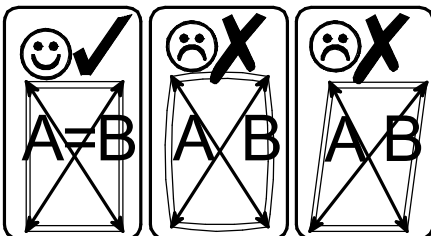
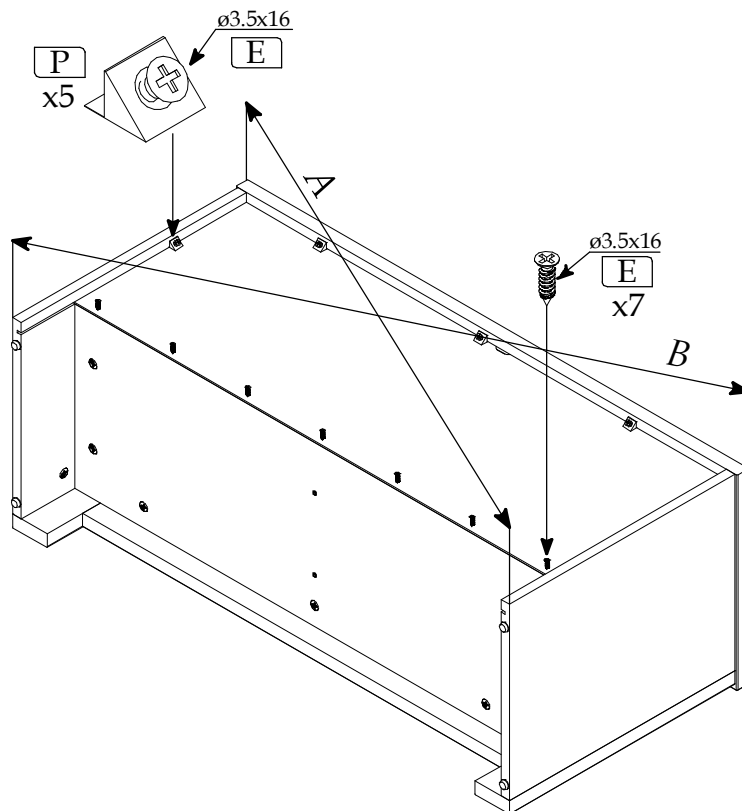
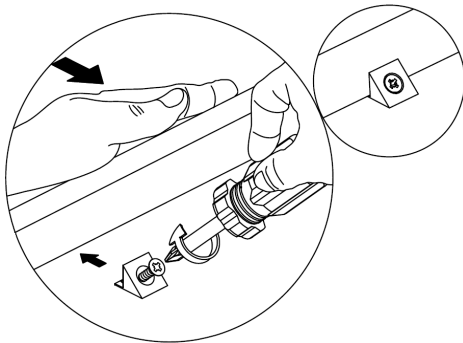
► 5



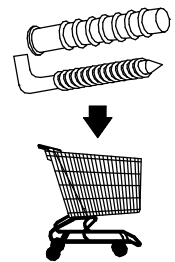
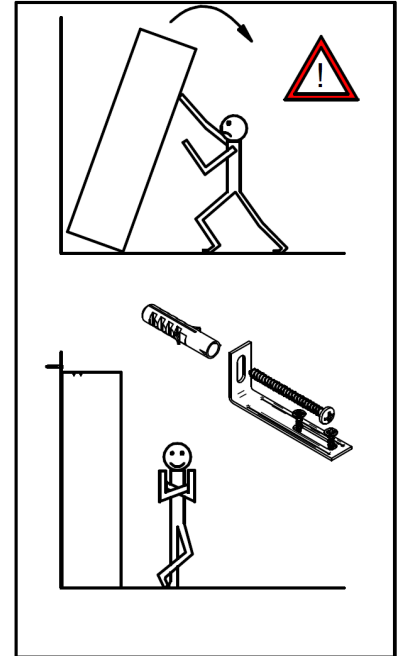
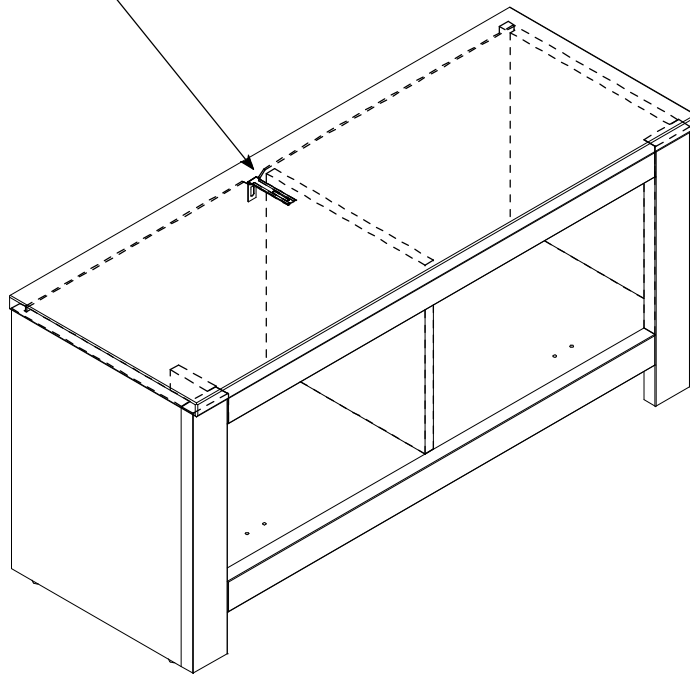
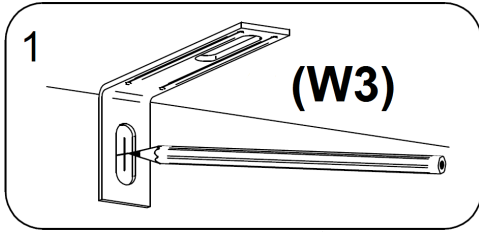
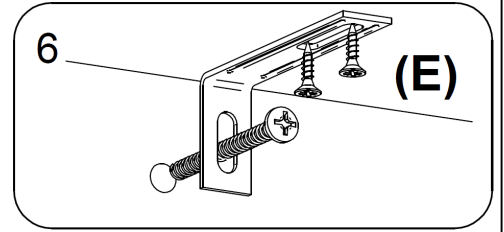
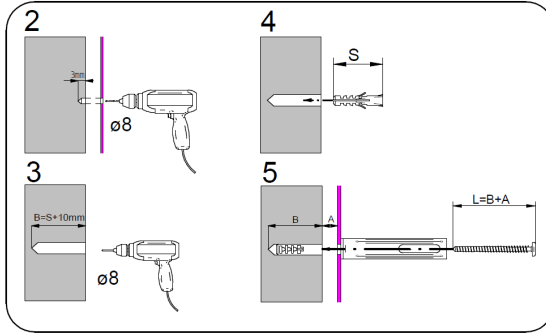
► 6



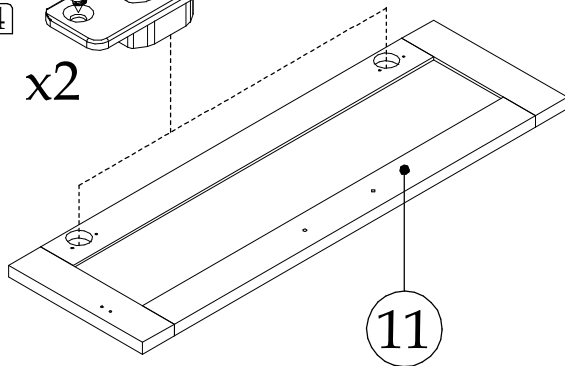
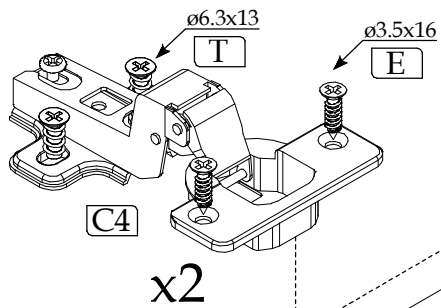
► 7



▶ 8

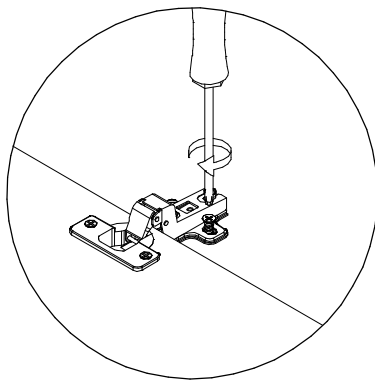


▶ 9

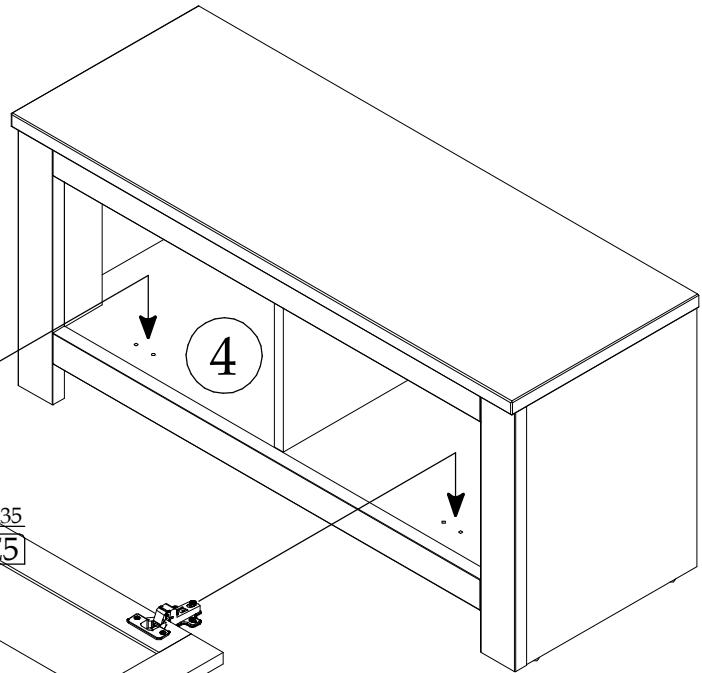
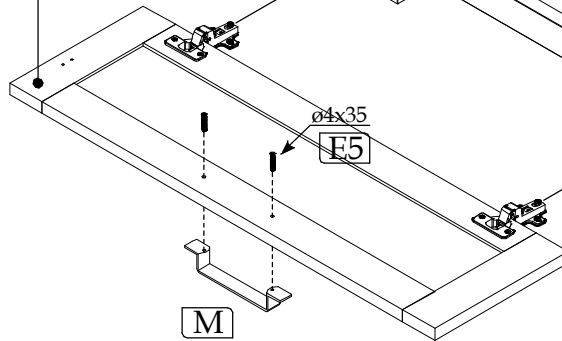




▶ 10



12



▶ 11

