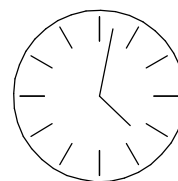
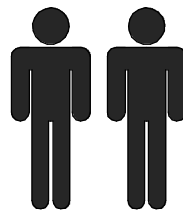
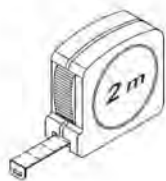
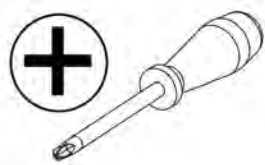
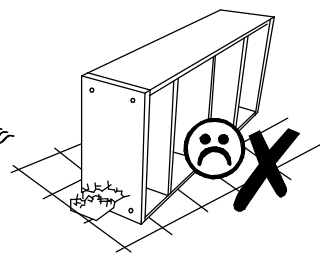
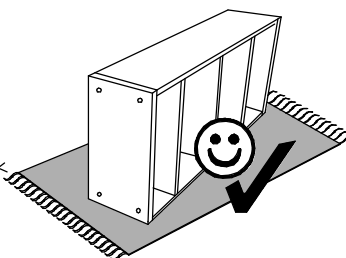
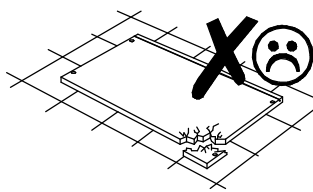
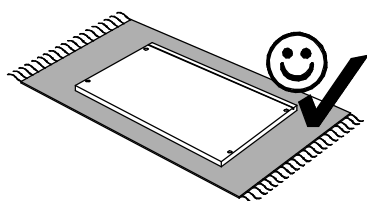
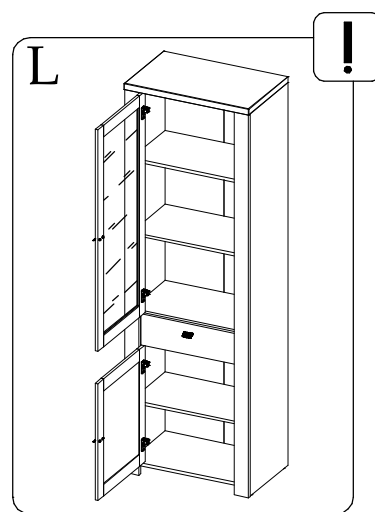
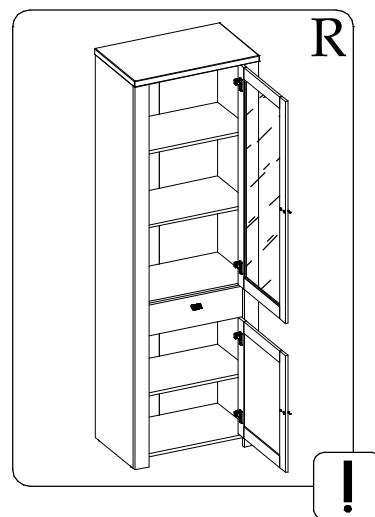
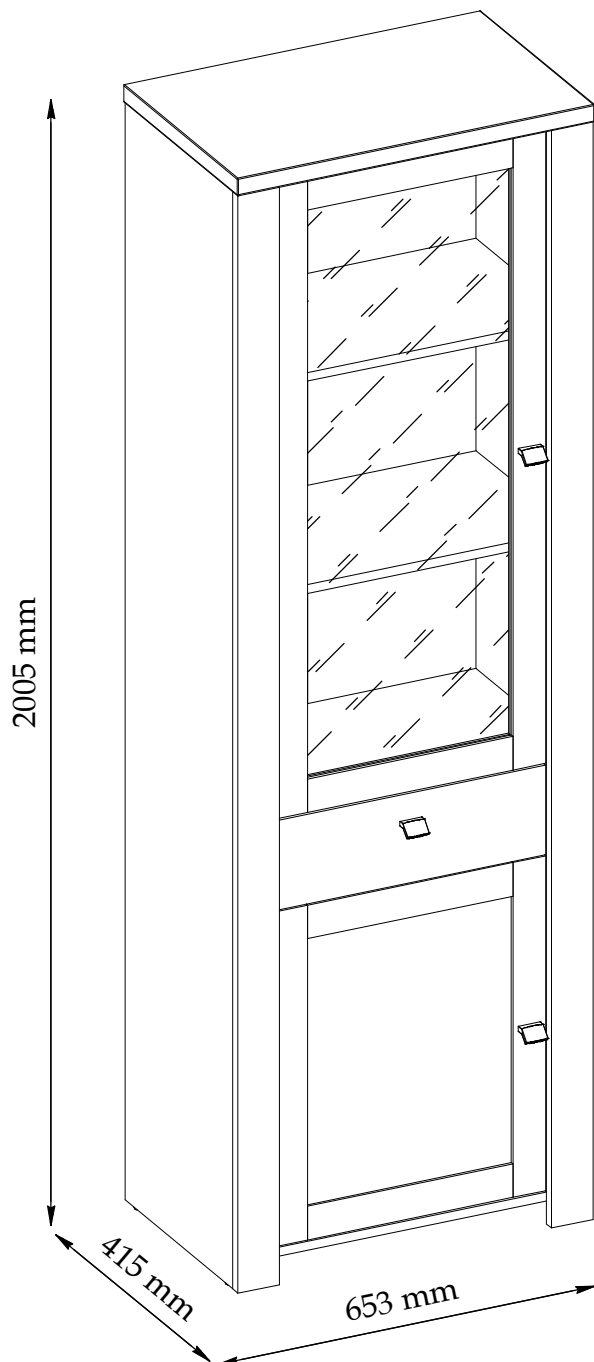
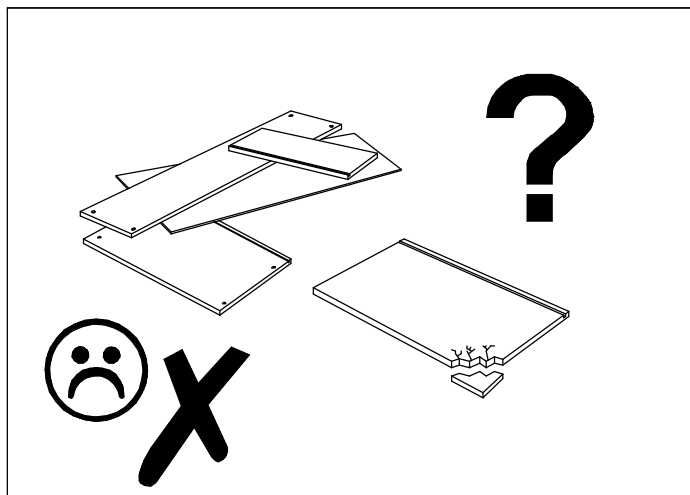
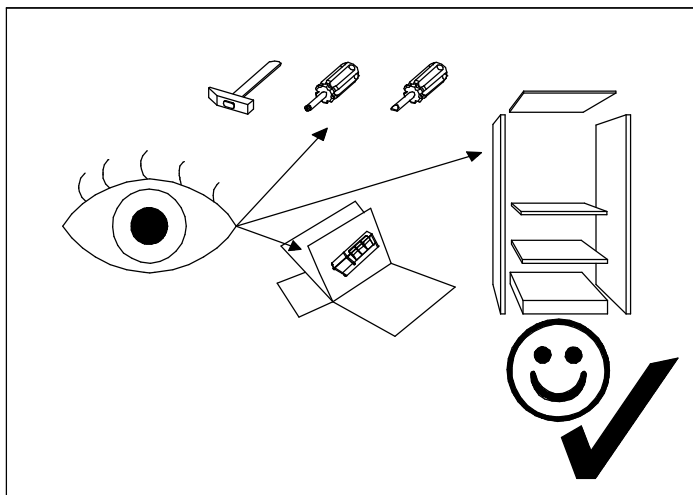
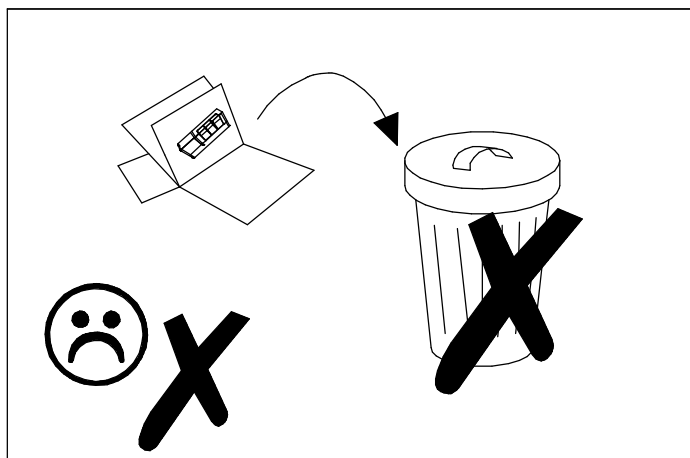
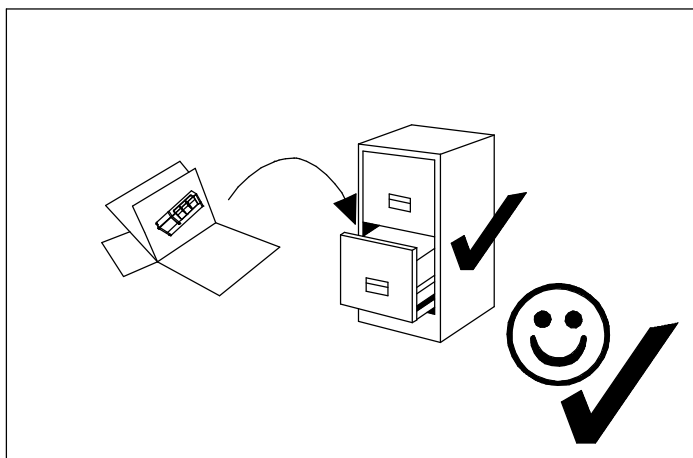
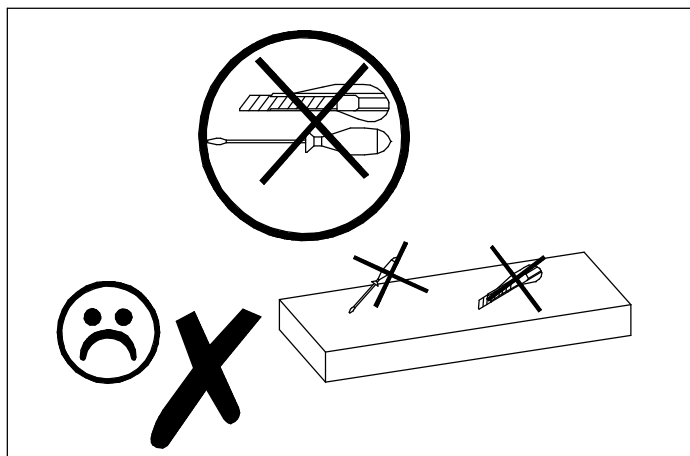
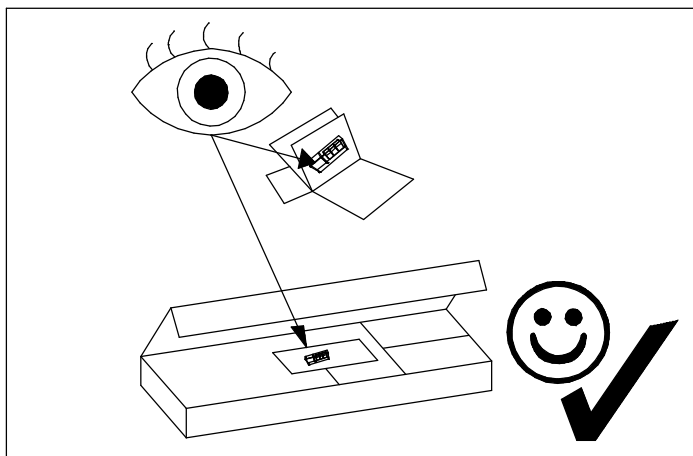


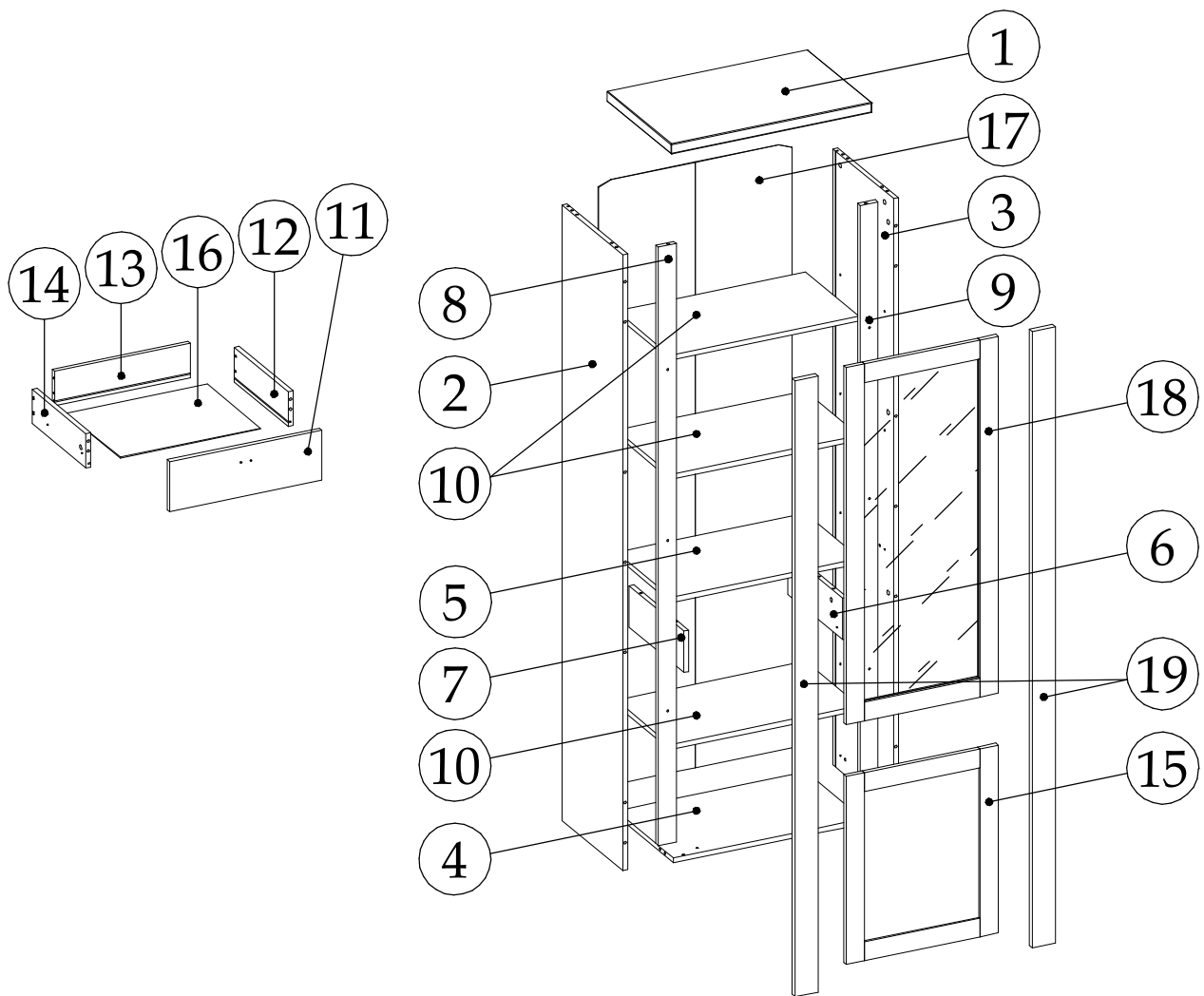
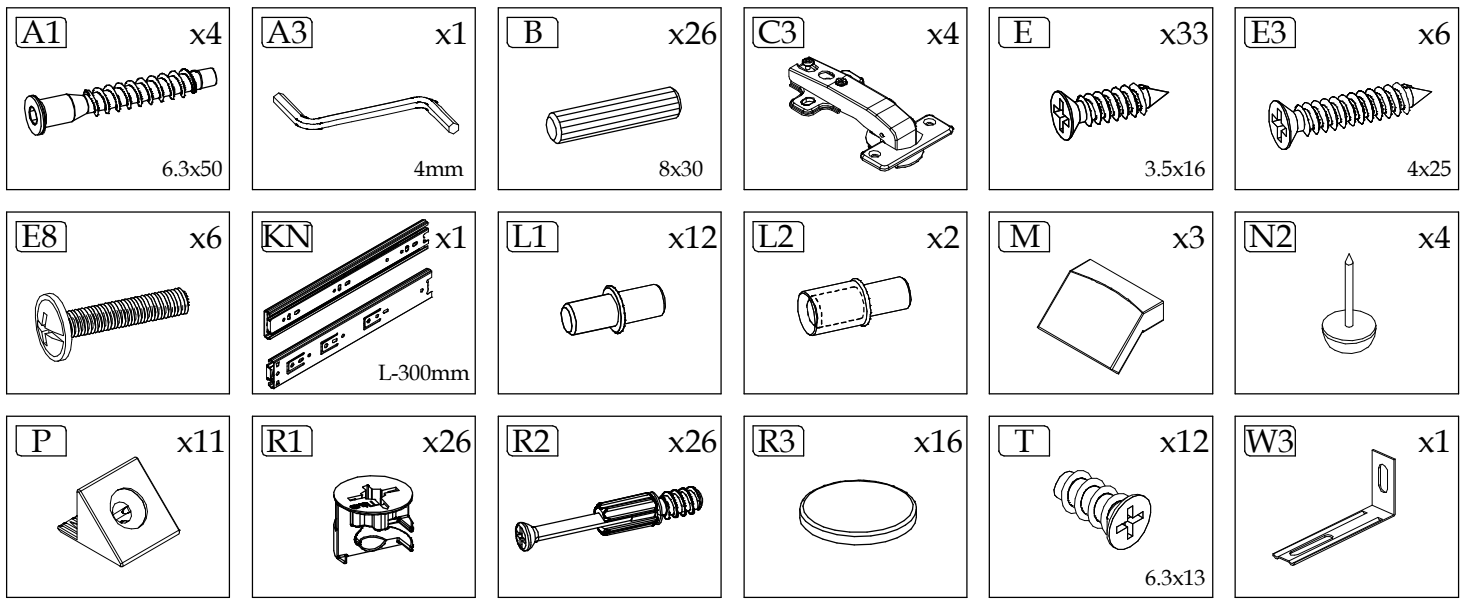
# LATOUR A



90 min



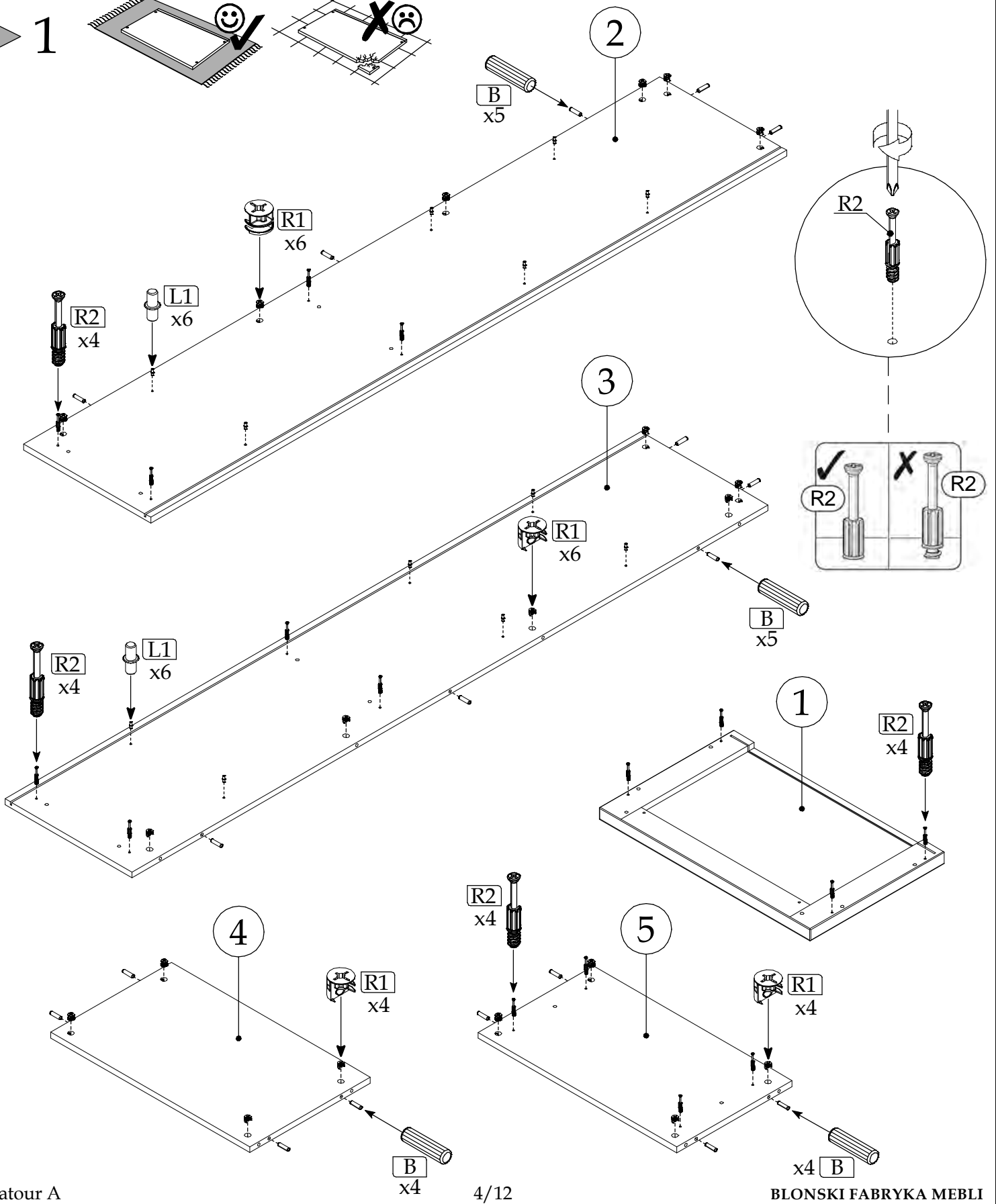
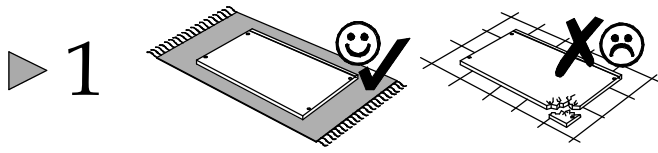
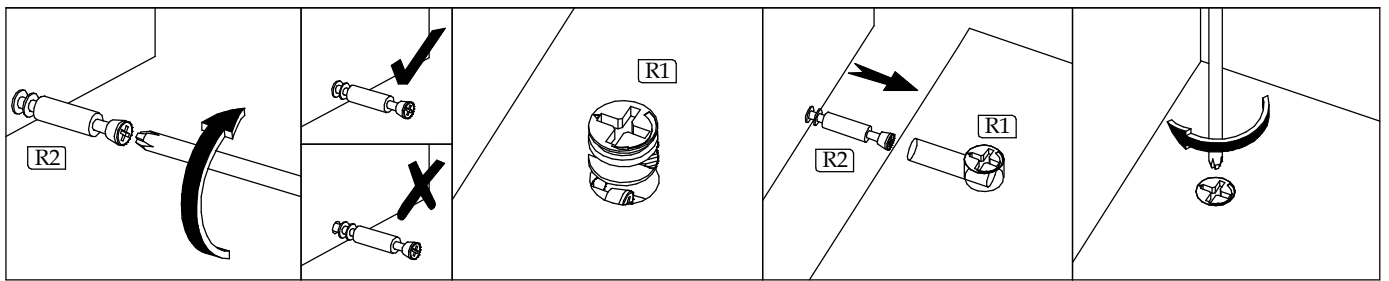




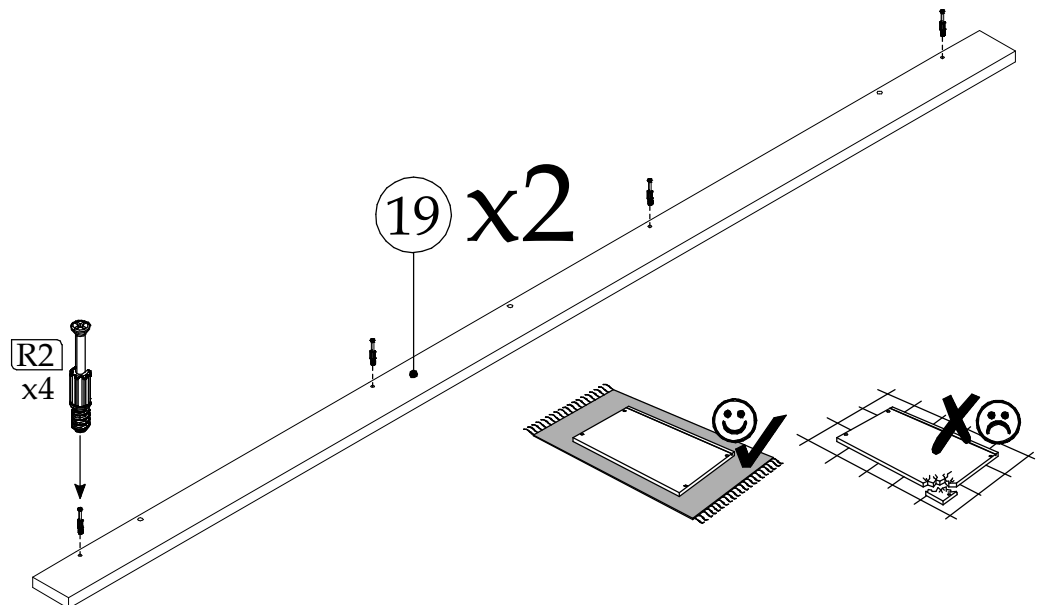
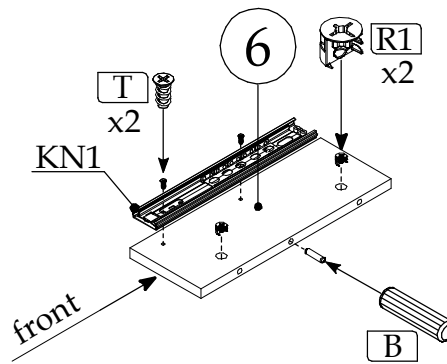
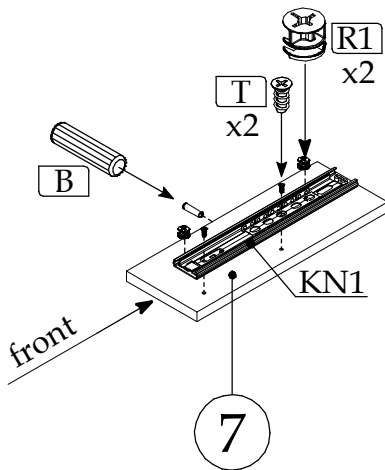
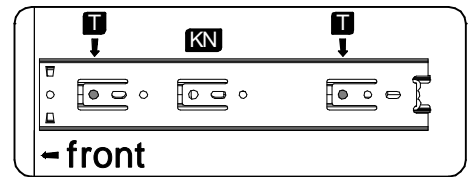
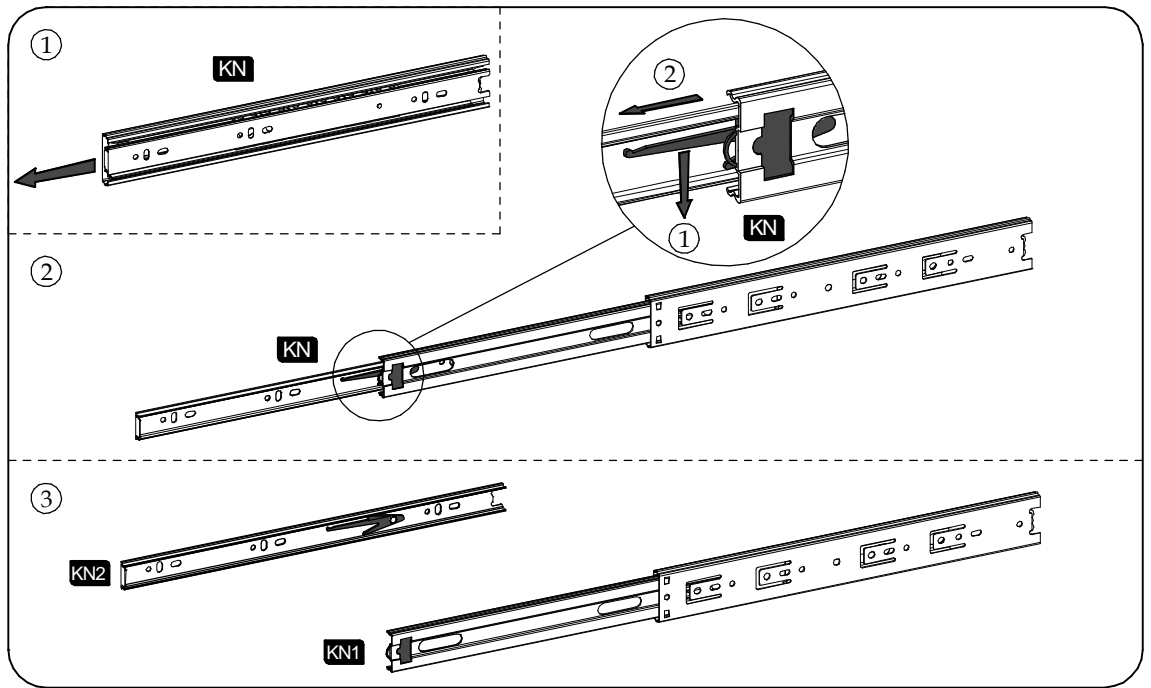
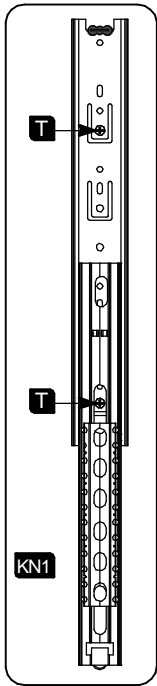
Element symbol	Measurements	Code	Paket
1	653 415 32 1	1002	1/2
2	1968 393 16 1	1003	1/2
3	1968 393 16 1	1004	1/2
4	615 373 16 1	1005	1/2
5	615 356.5 16 1	1032	1/2
6	356.5 127 16 1	1034	1/2

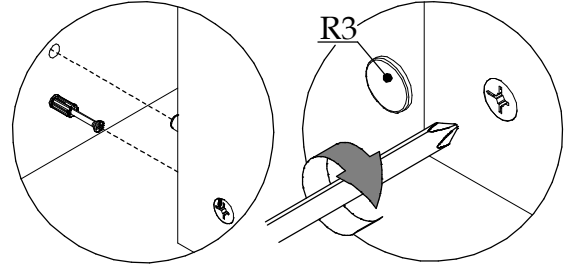
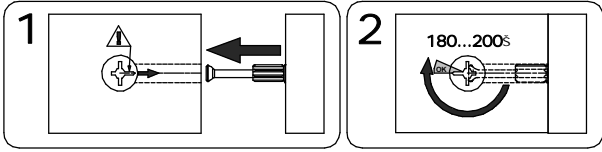
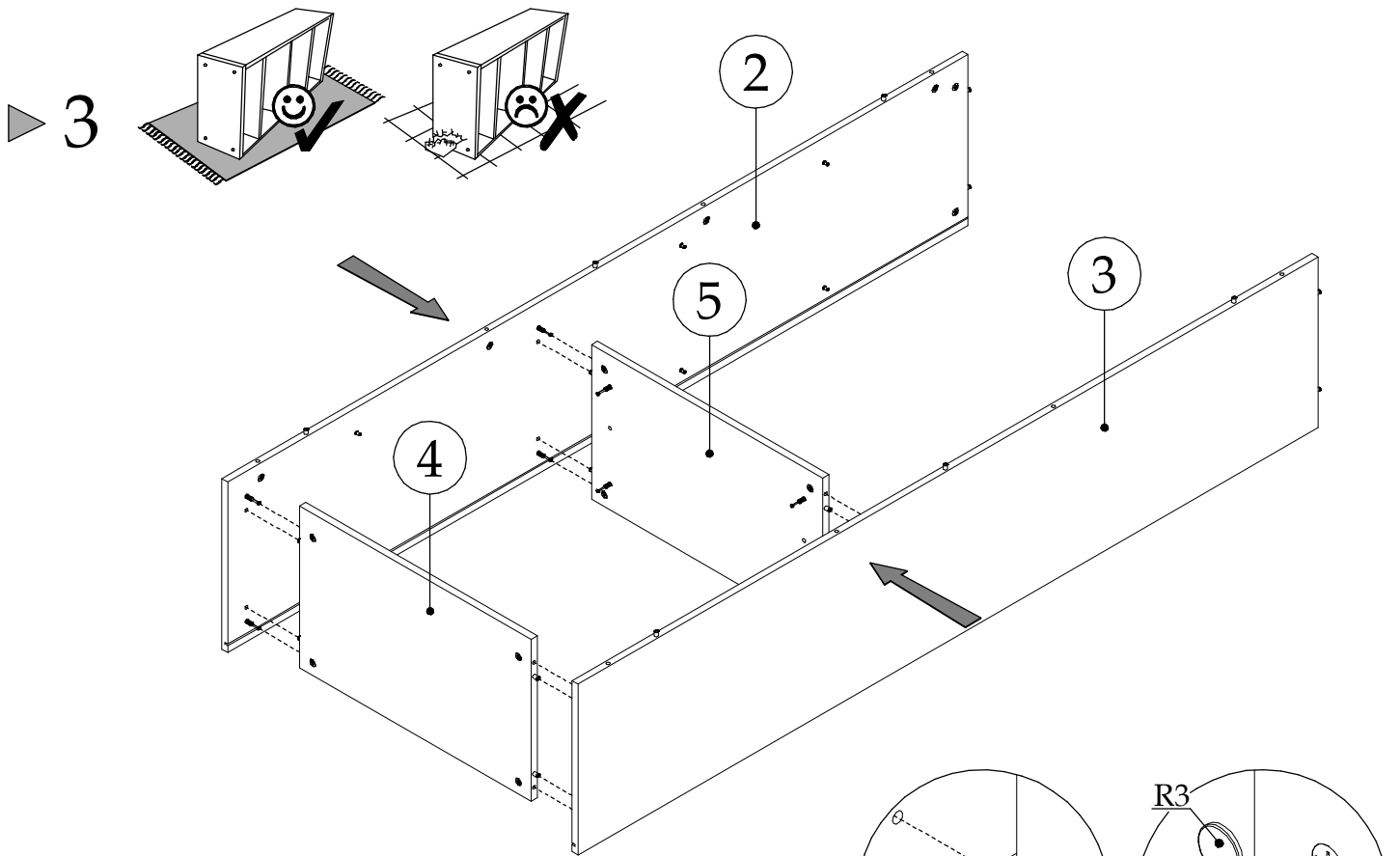
7	356.5	127	16	1	1035	1/2
8	1911	58	16	1	1026	1/2
9	1911	58	16	1	1027	1/2
10	614.5	350	16	3		1/2
11	495	160	16	1	1036	1/2
12	350	110	16	1	1037	1/2
13	436.5	110	16	1	1038	1/2

14	350	110	16	1	1039	1/2
15	600	495	16	1		2/2
16	450.5	346	3	1		1/2
17	1950	629	3	1		1/2
18	1140	495	16	1		2/2
19	1968	75	19	2		1/2

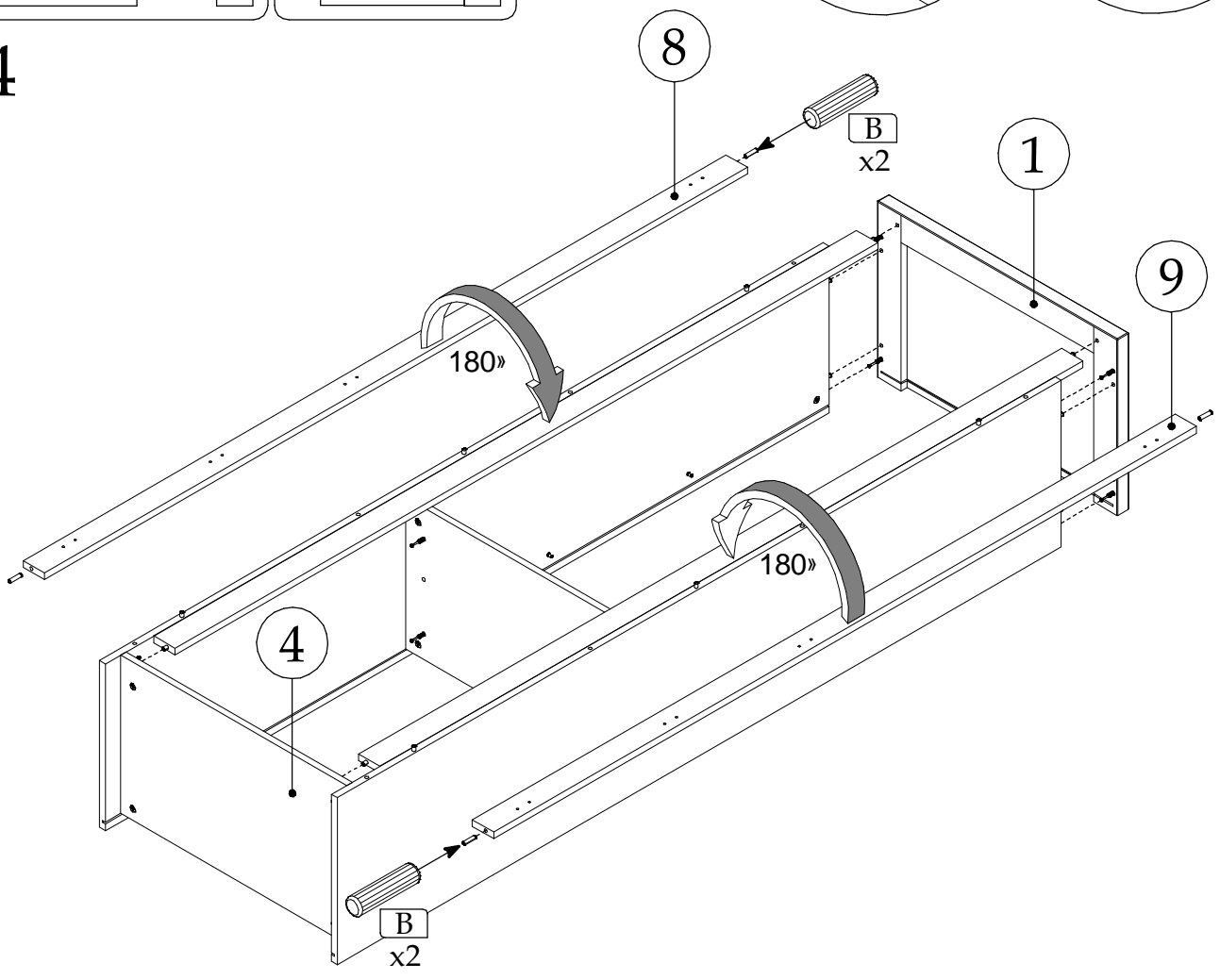


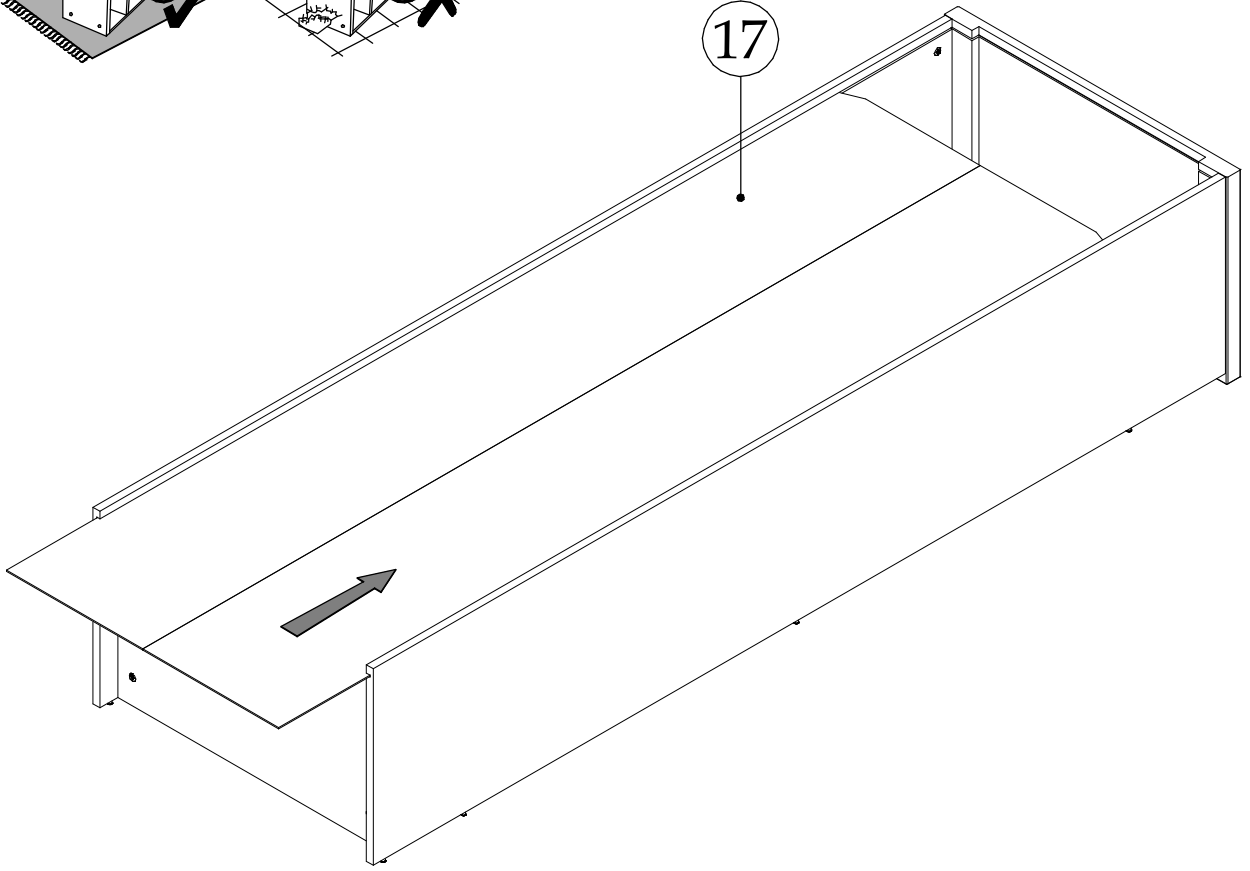
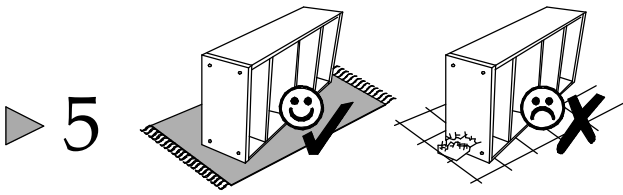
▶ 2



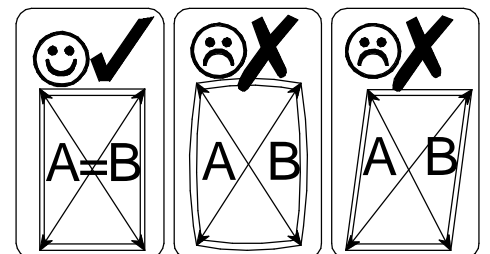
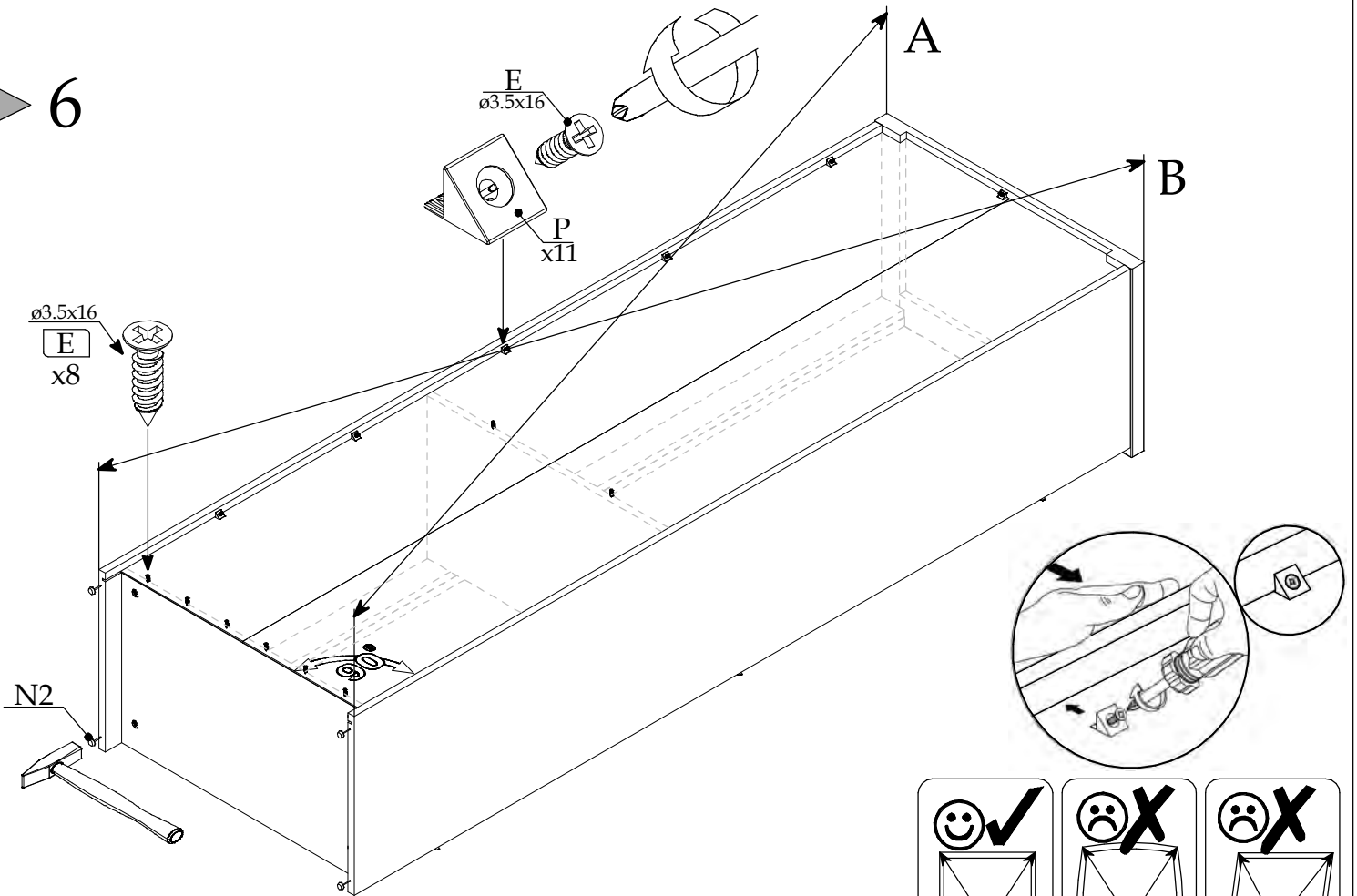


▶ 4

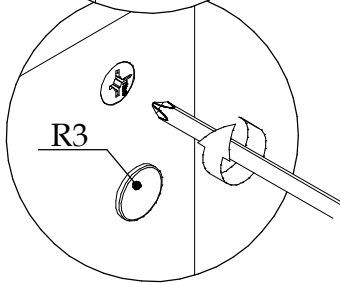
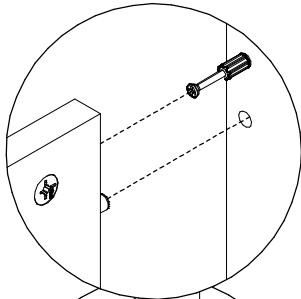
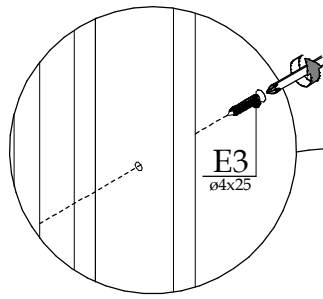




▶ 6



▶ 7

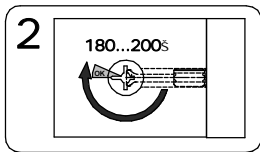
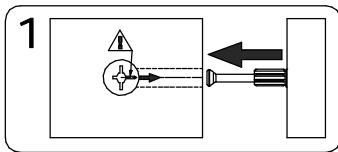


7

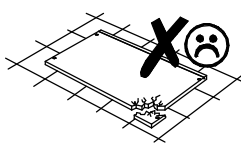
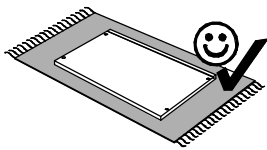
19

19

6



▶ 8

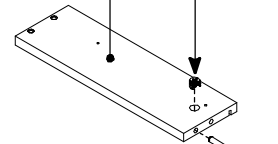
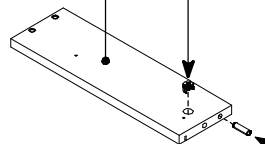


14

R1

12

R1



B

B

▶ 1

14

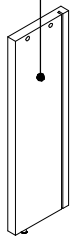
A3

A1

13

B

11



12

11

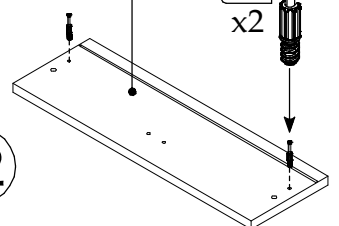
▶ 2

14

16

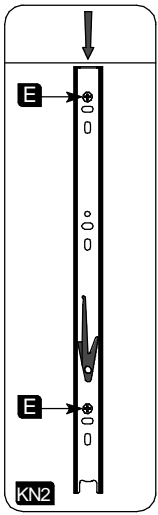
12

R2  
x2

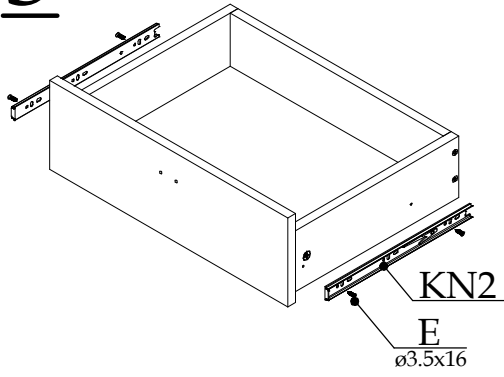




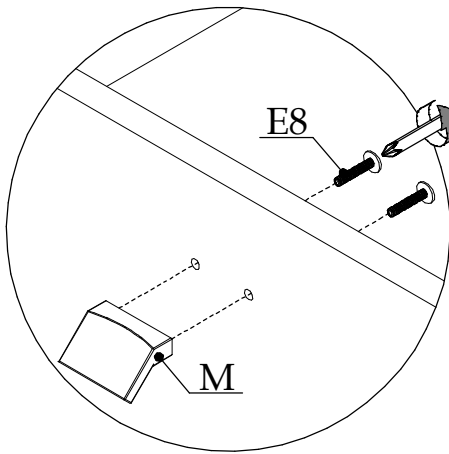
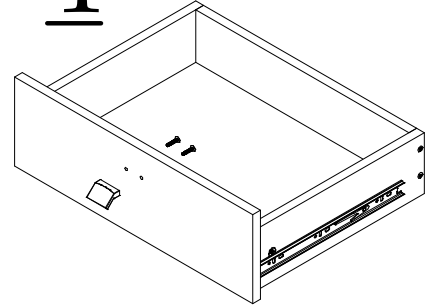
▶ 9



▶ 3

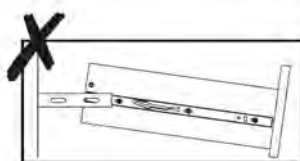
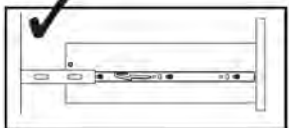
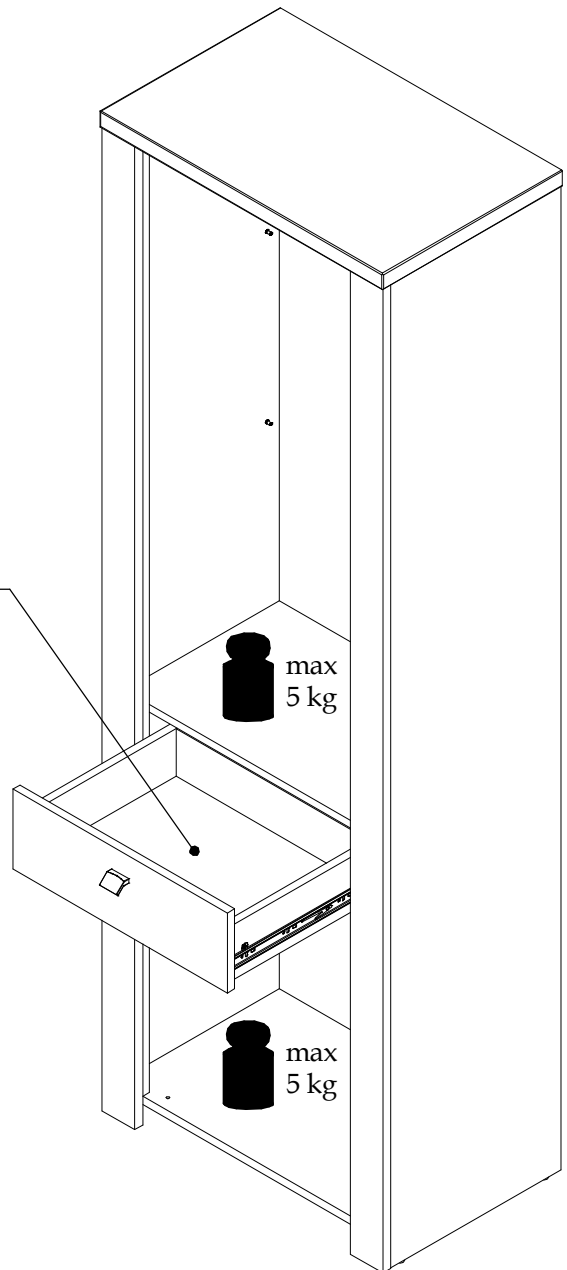


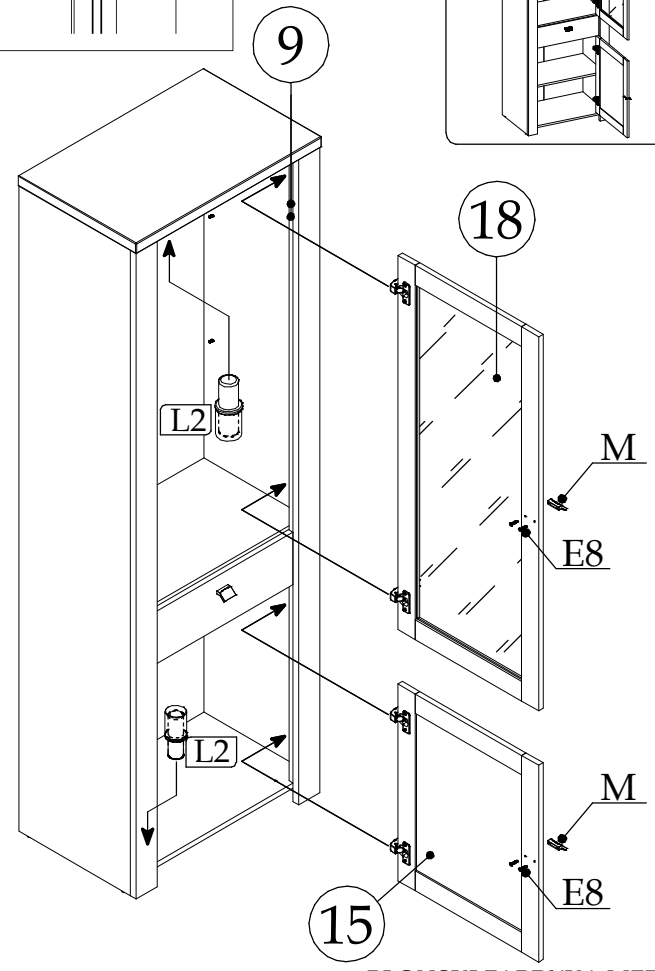
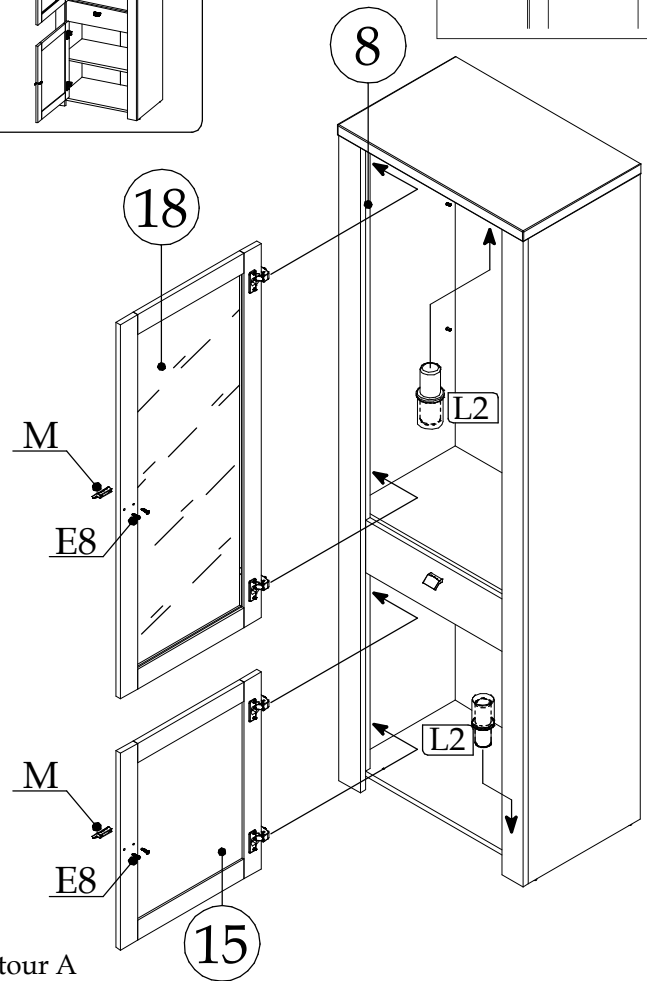
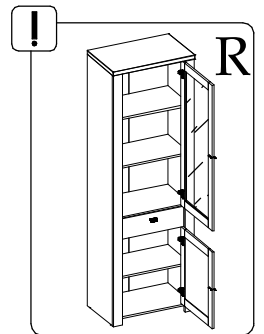
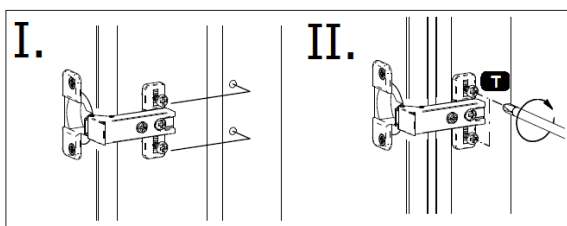
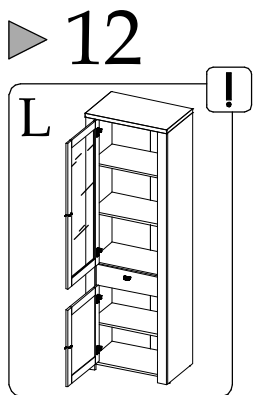
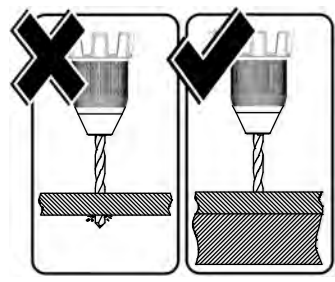
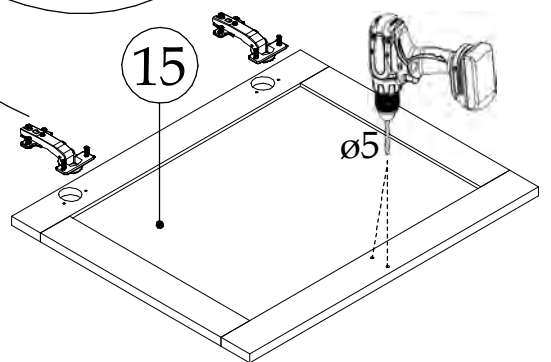
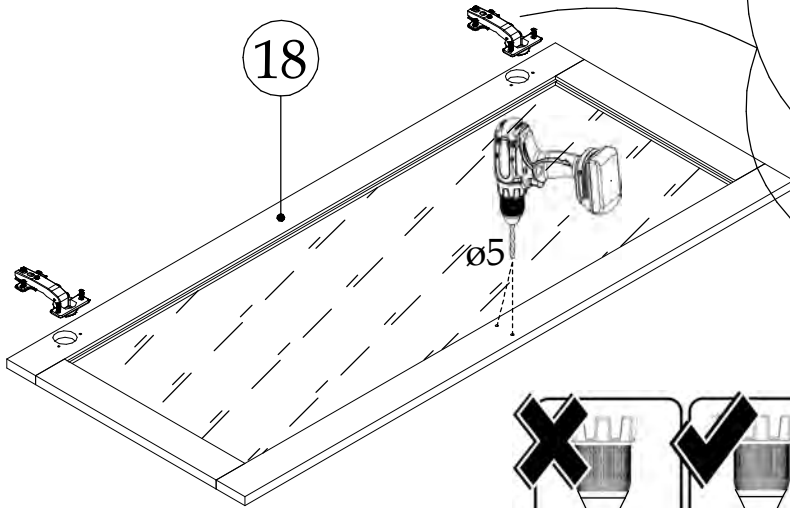
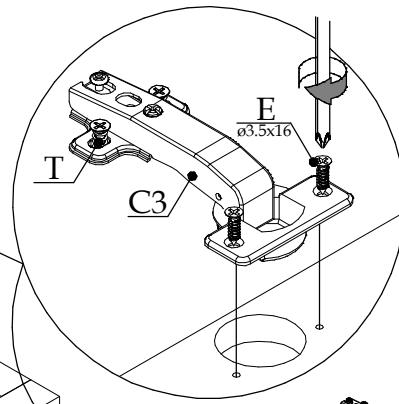
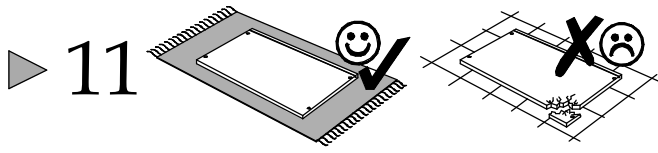
▶ 4



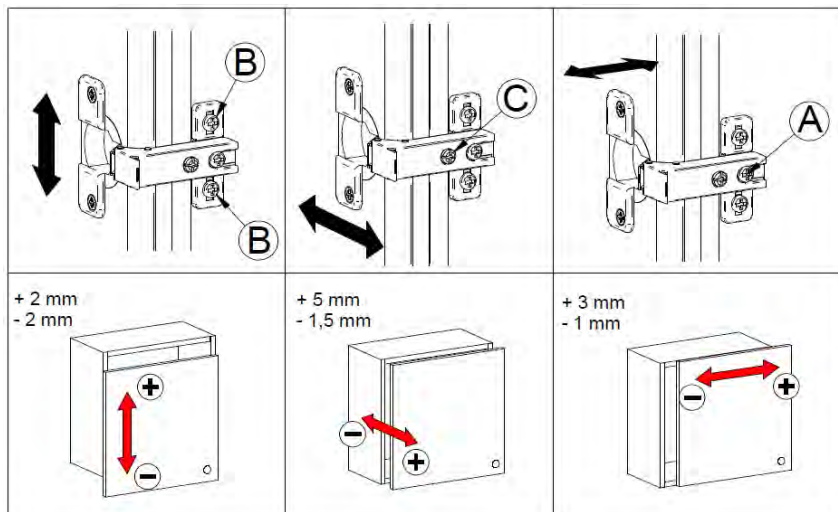
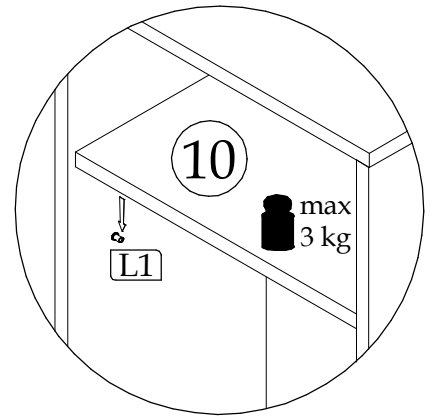
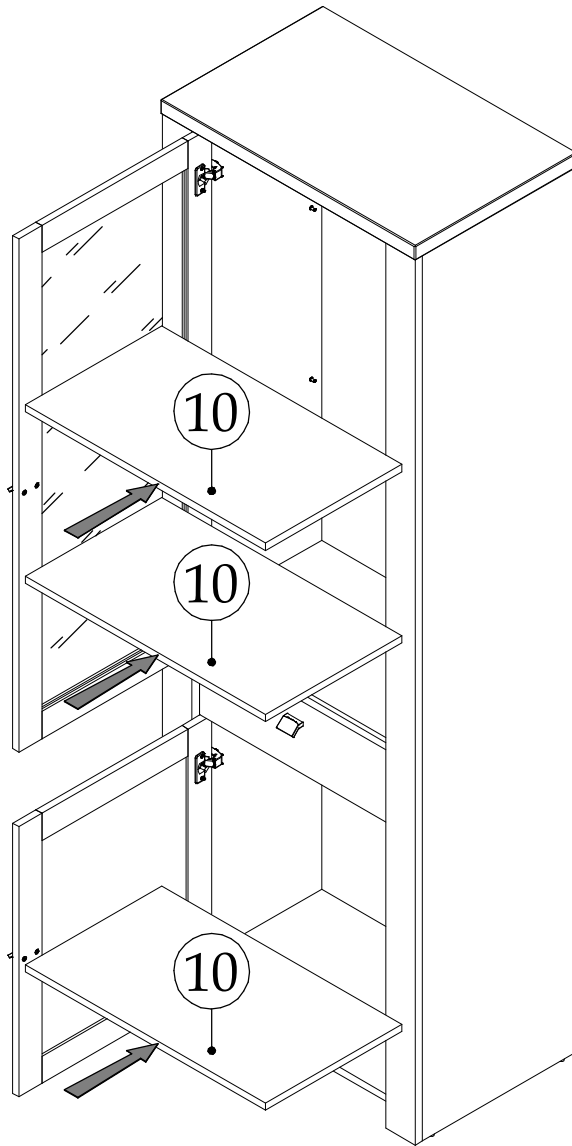
▶ 10

max. 3kg





► 13



▶ 14

