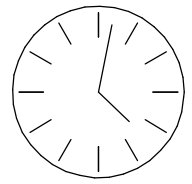
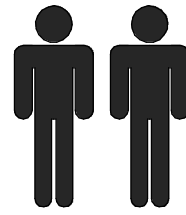
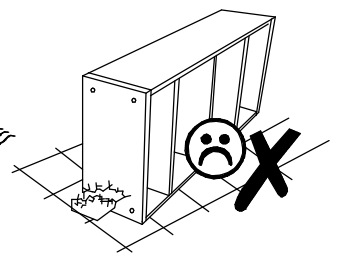
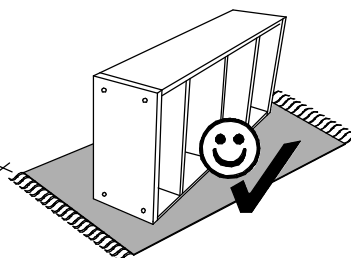
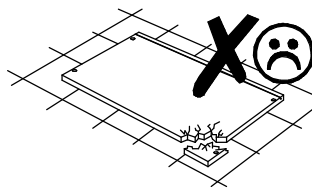
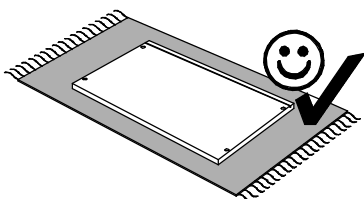
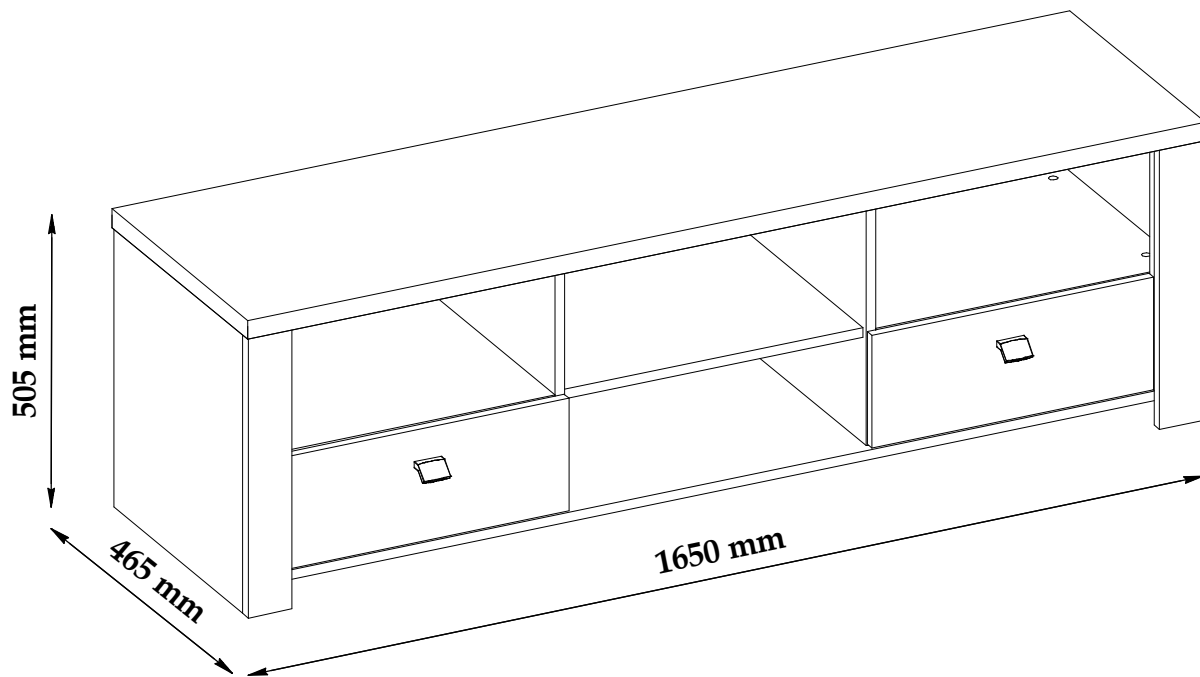
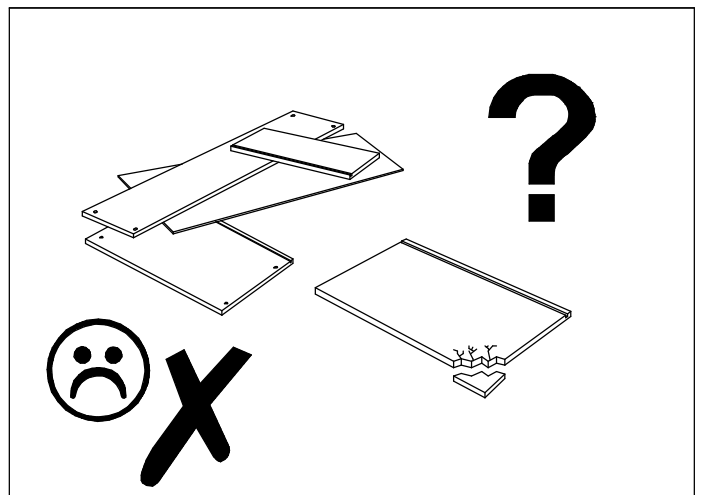
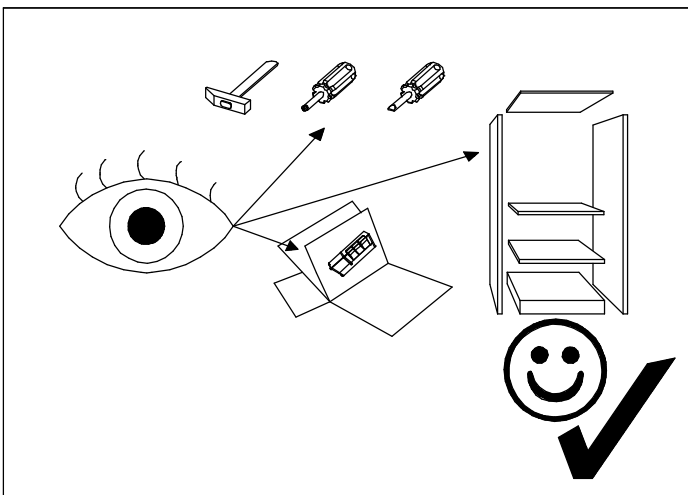
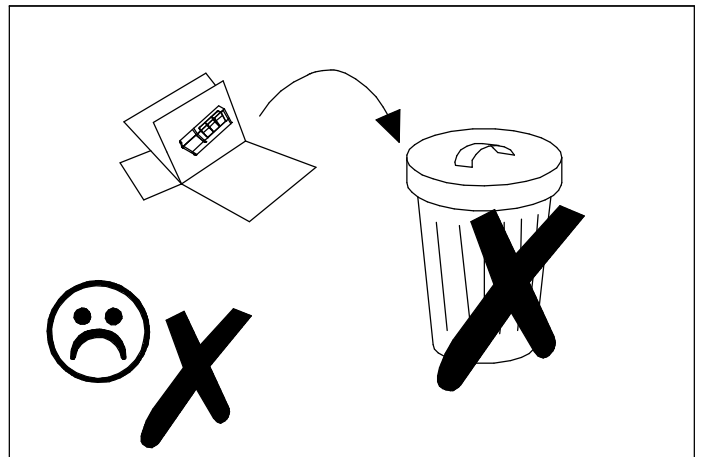
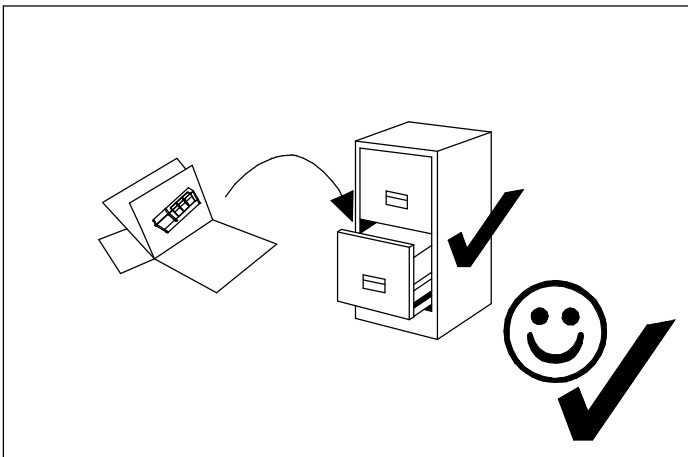
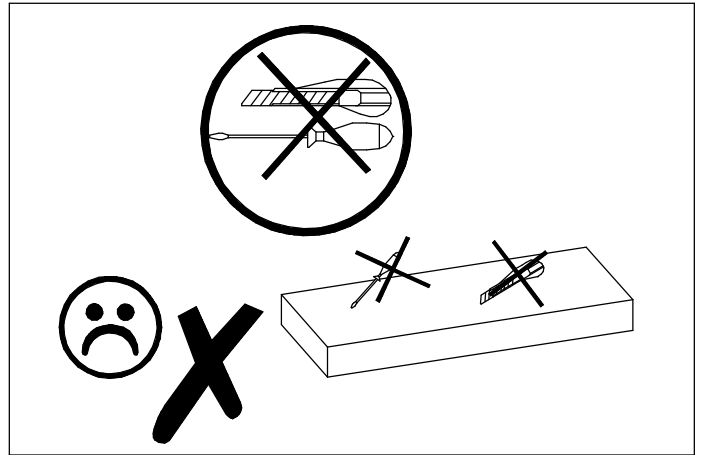
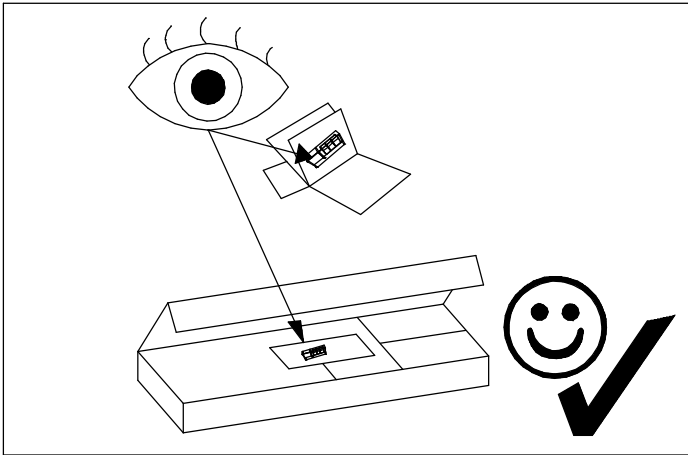


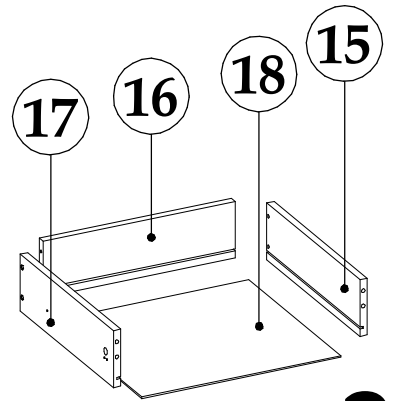
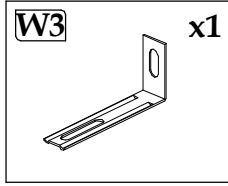
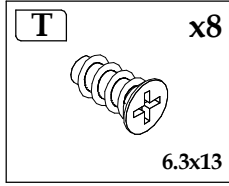
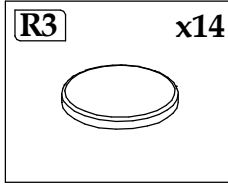
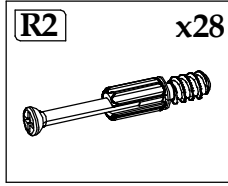
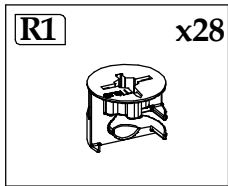
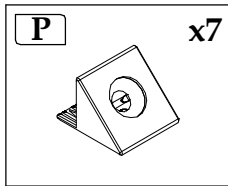
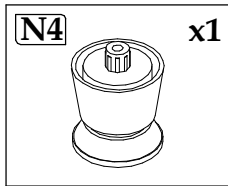
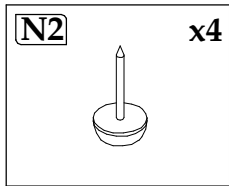
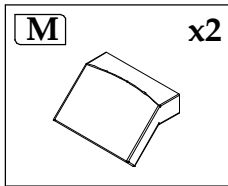
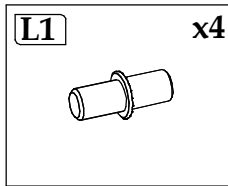
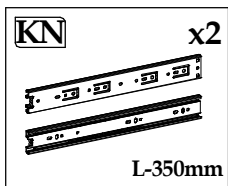
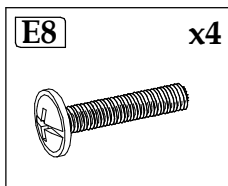
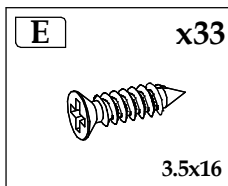
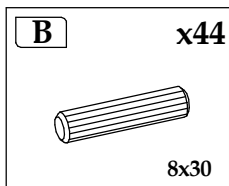
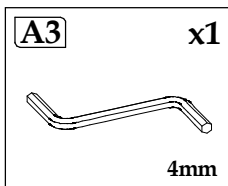
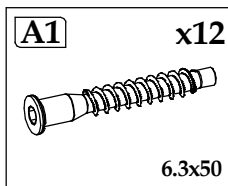
LATOUR B



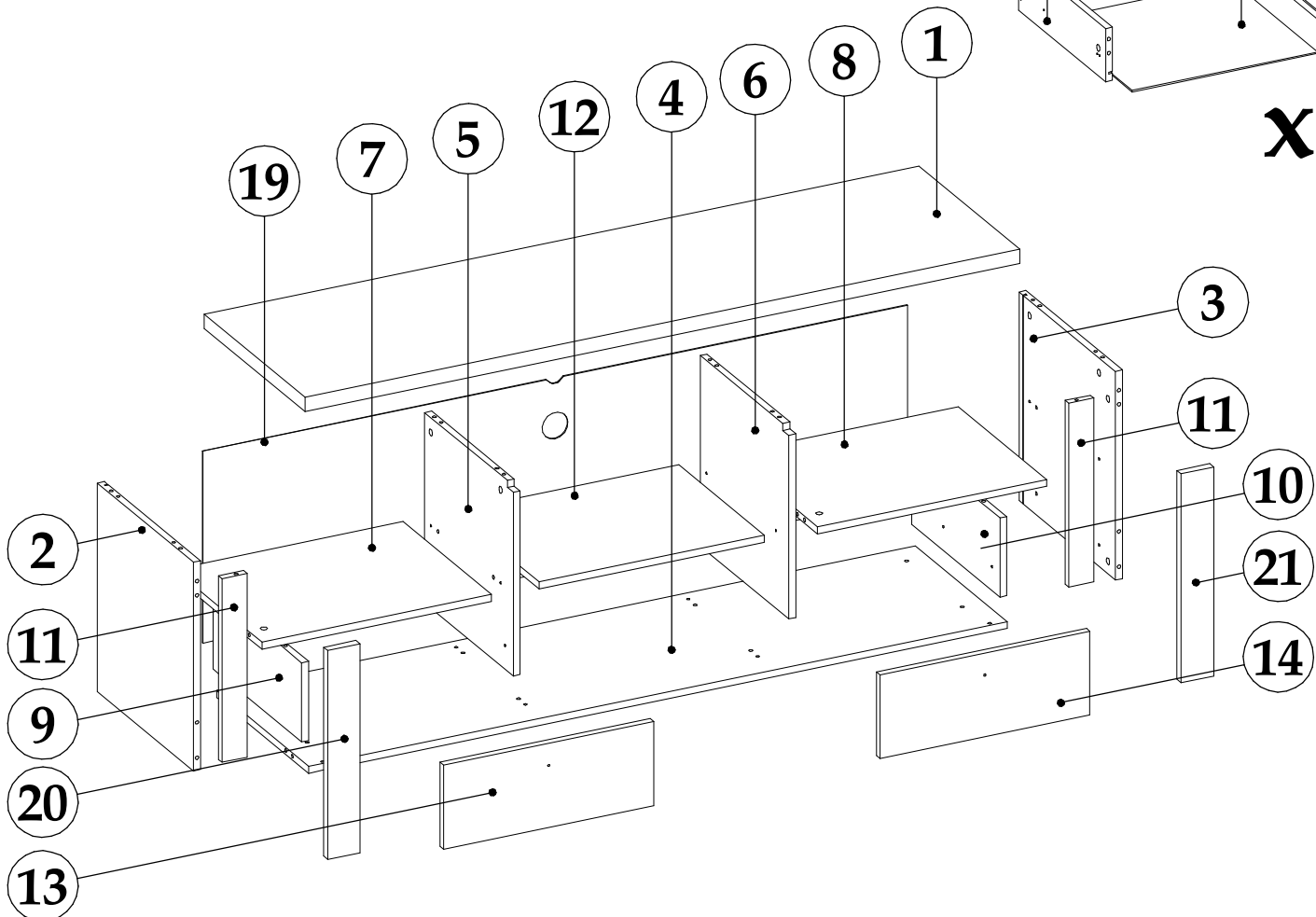
90 min







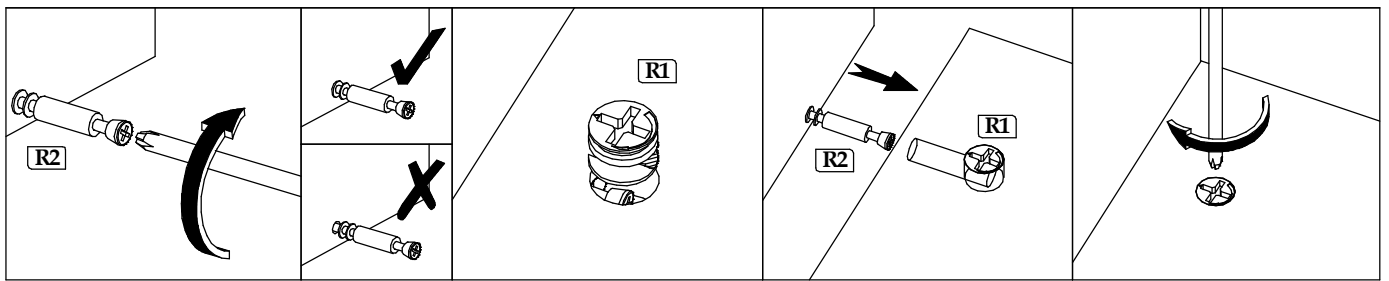
x2



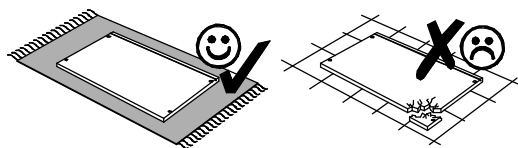
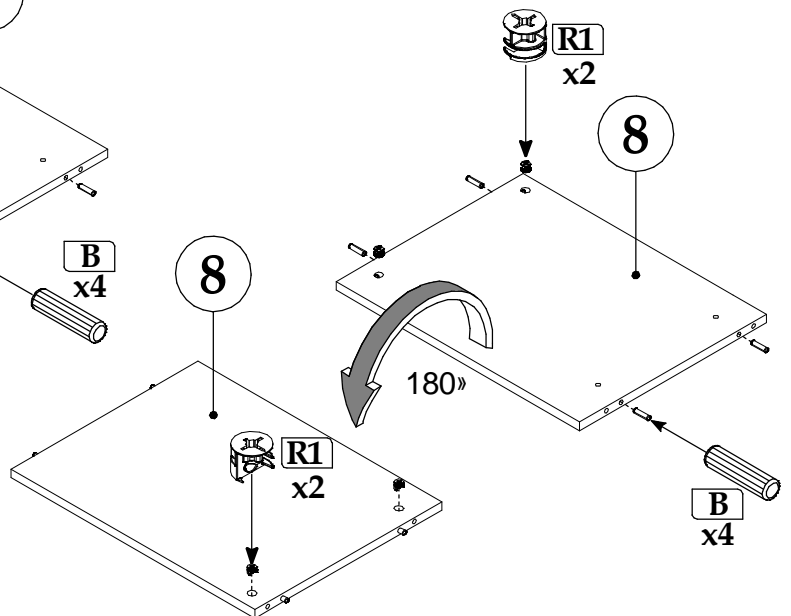
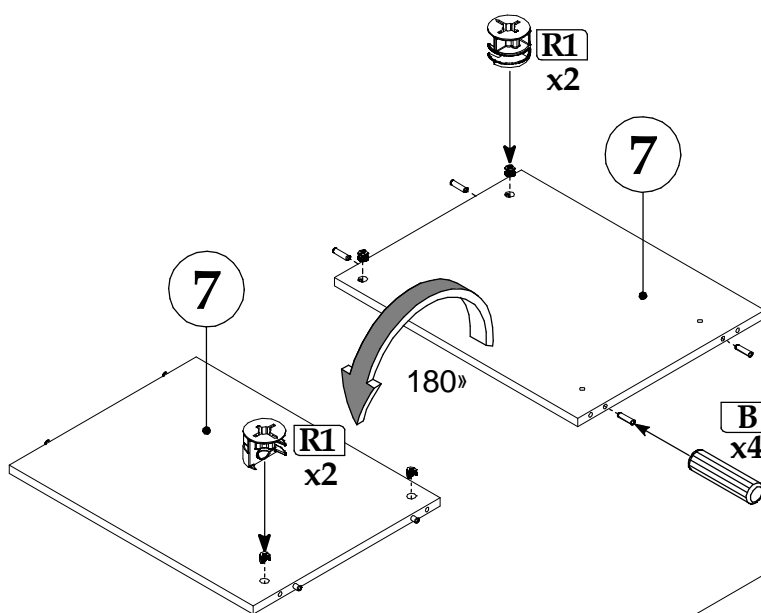
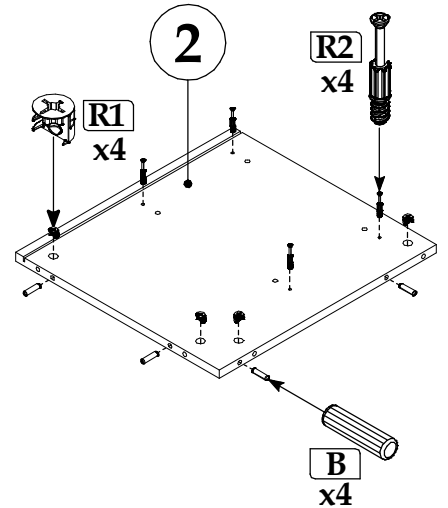
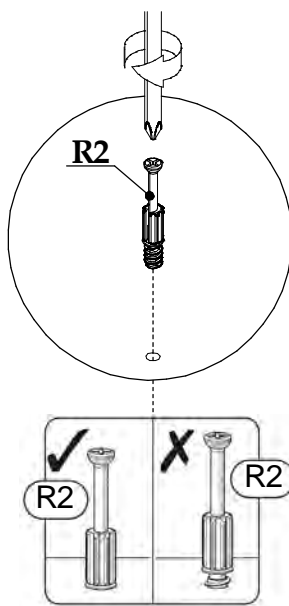
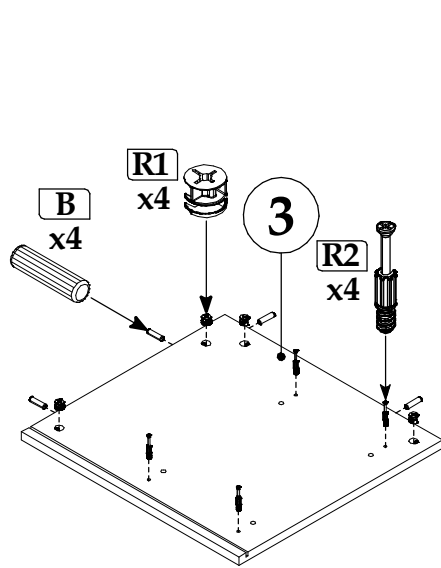
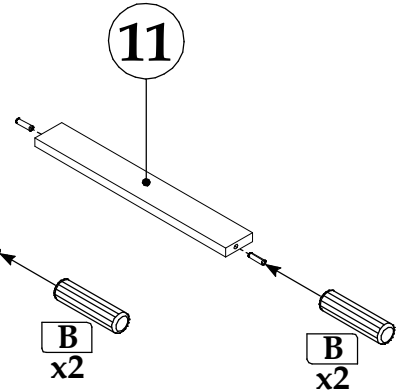
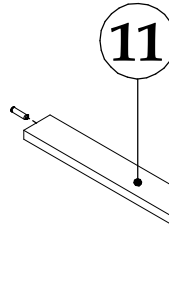
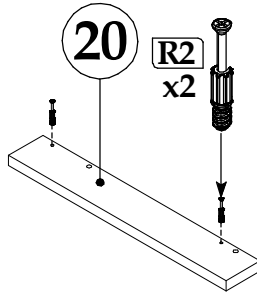
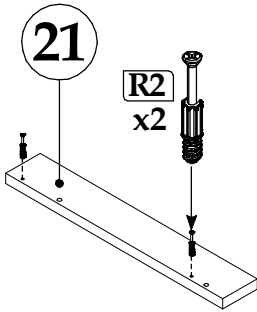
Element symbol	Measurements	Code	Paket
1	1650 465 32 1	1002	1/ 1
2	473 443 16 1	1003	1/ 1
3	473 443 16 1	1004	1/ 1
4	1612 423 16 1	1005	1/ 1
5	432 407 16 1	1007	1/ 1
6	432 407 16 1	1008	1/ 1
7	530 407 16 1	1009	1/ 1

8	530	407	16	1	1016	1/ 1
9	179	406.5	16	1	1010	1/ 1
10	179	406.5	16	1	1017	1/ 1
11	416	58	16	2	1022-1023	1/ 1
12	520	395	16	1		1/ 1
13	485	190	16	1	1001	1/ 1
14	485	190	16	1	1018	1/ 1
15	400	120	16	2	1011-1019	1/ 1

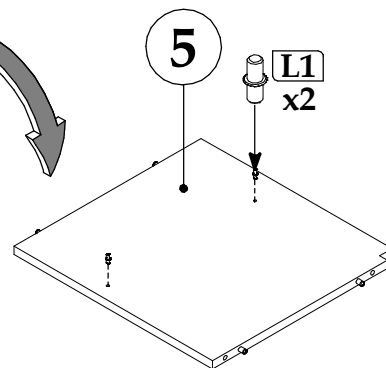
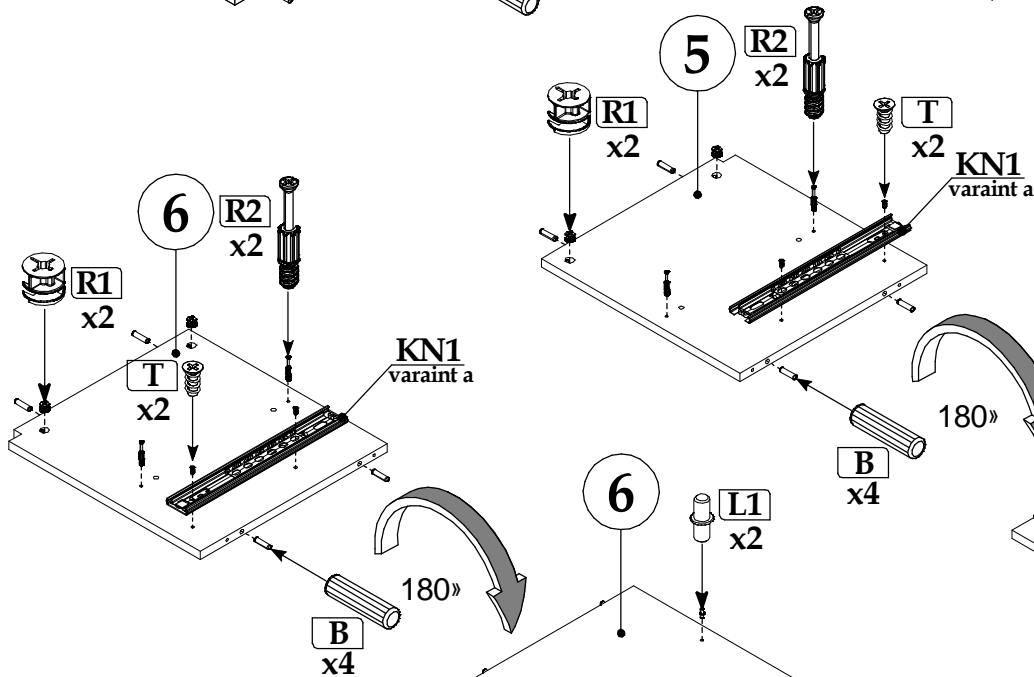
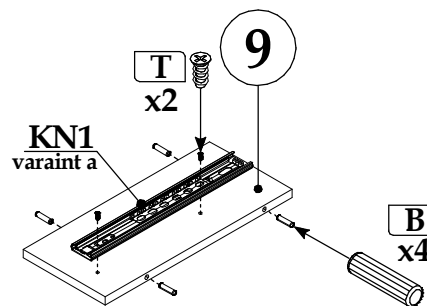
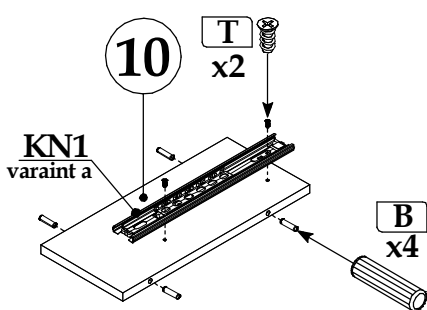
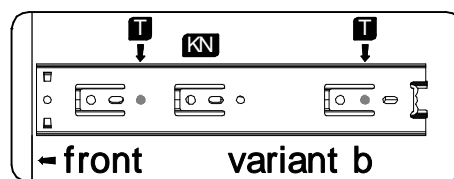
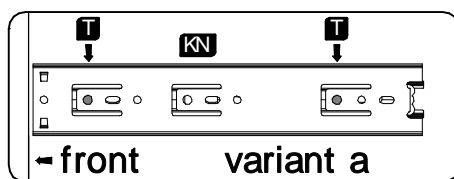
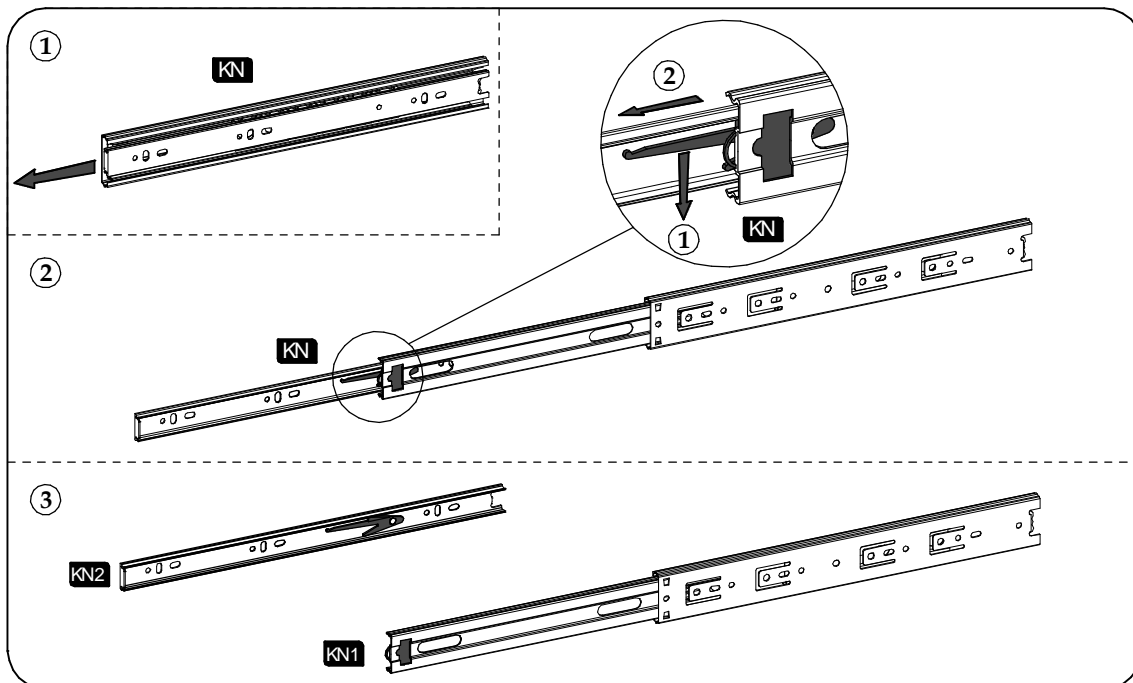
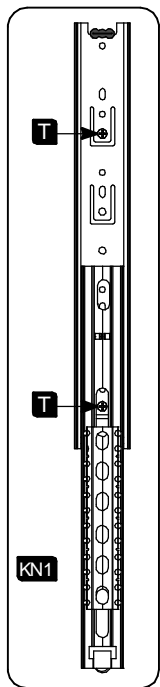
16	414,5	120	16	2	1012-1020	1/ 1
17	400	120	16	2	1013-1021	1/ 1
18	428,5	396	3	2		1/ 1
19	1626	455	3	1	1006_v	1/ 1
20	473	75	19	1		1/ 1
21	473	75	19	1		1/ 1



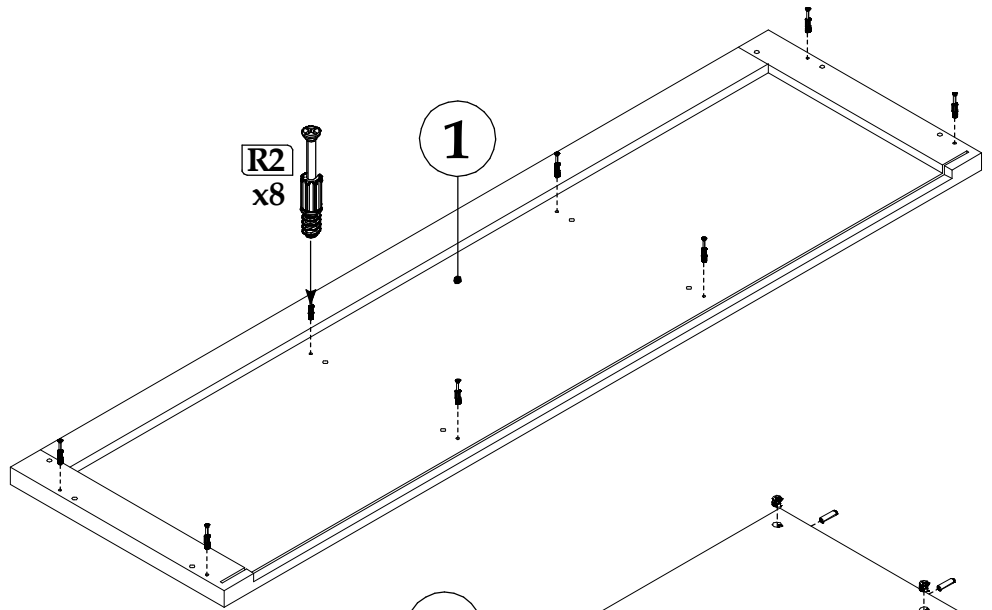
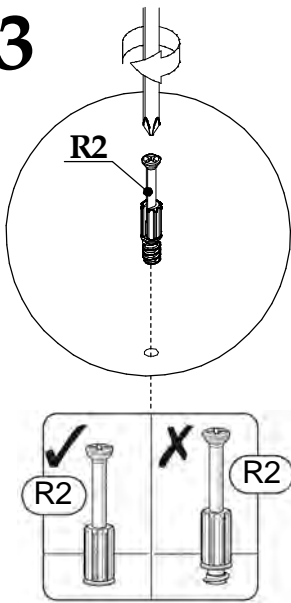
▶ 1



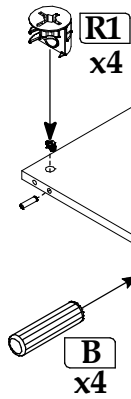
2



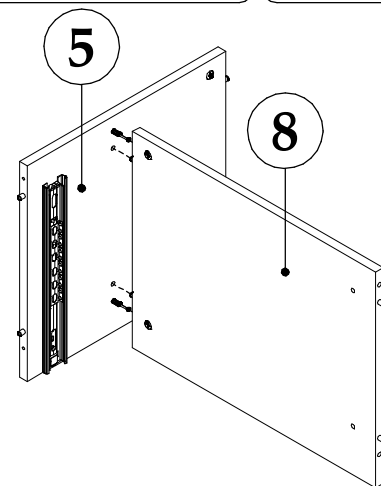
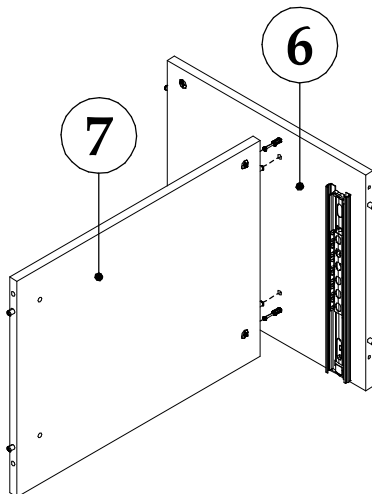
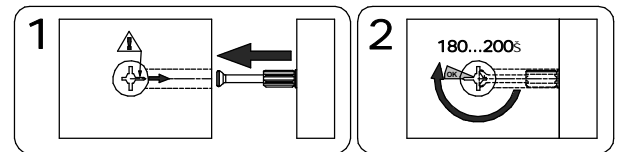
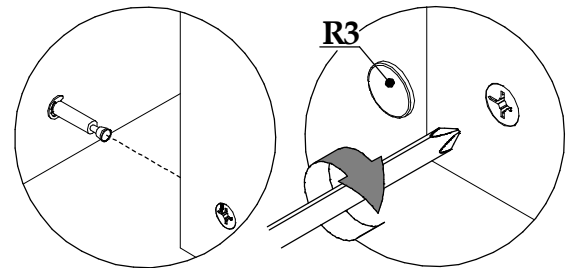
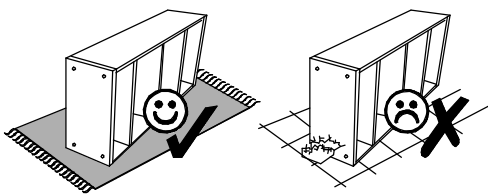
▶ 3



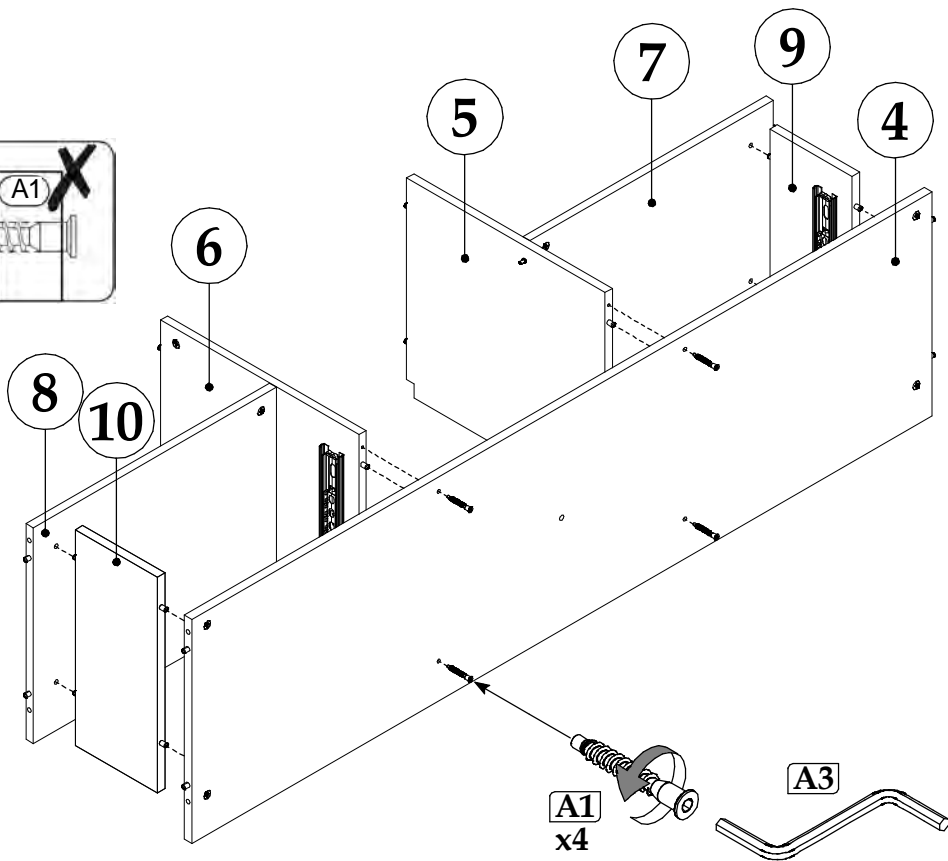
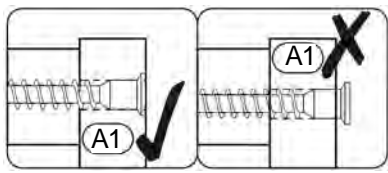
▶ 4



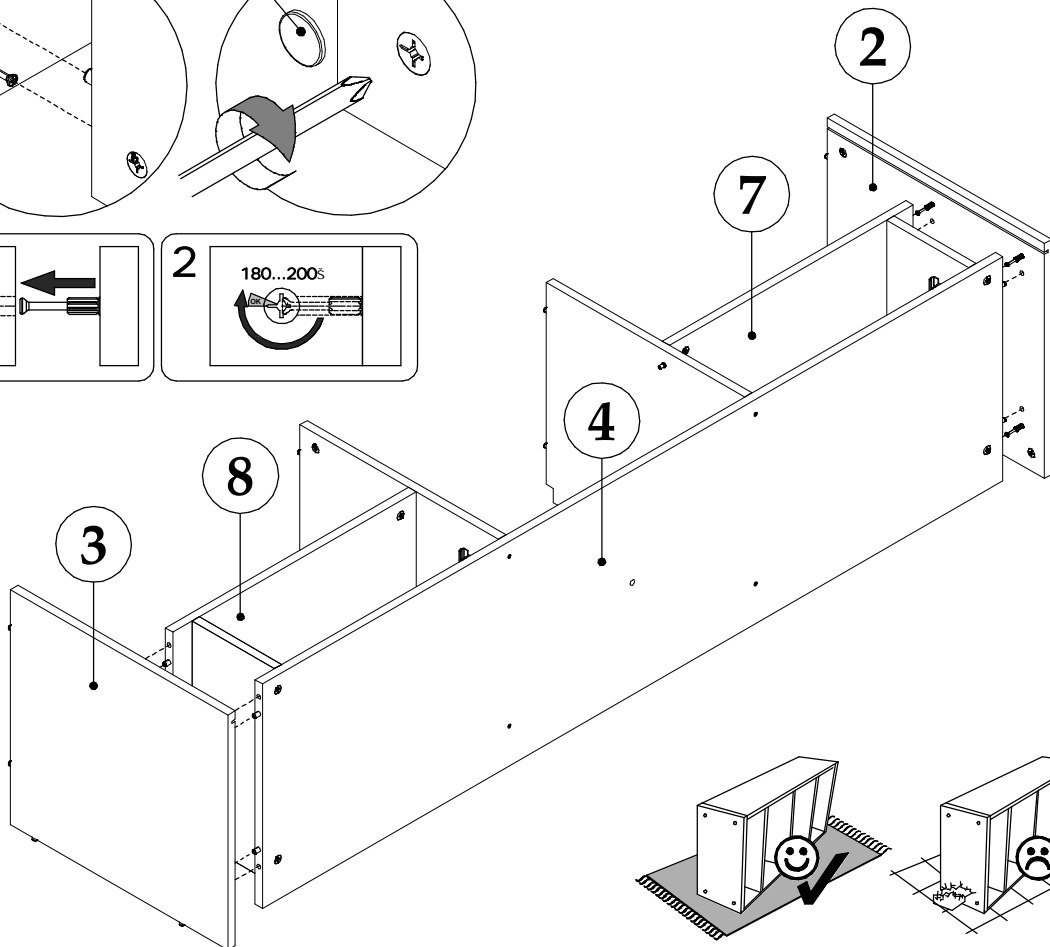
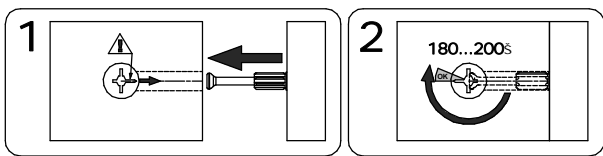
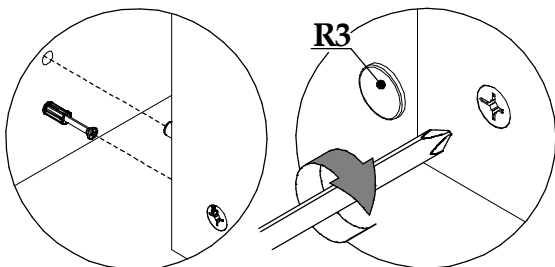
▶ 4



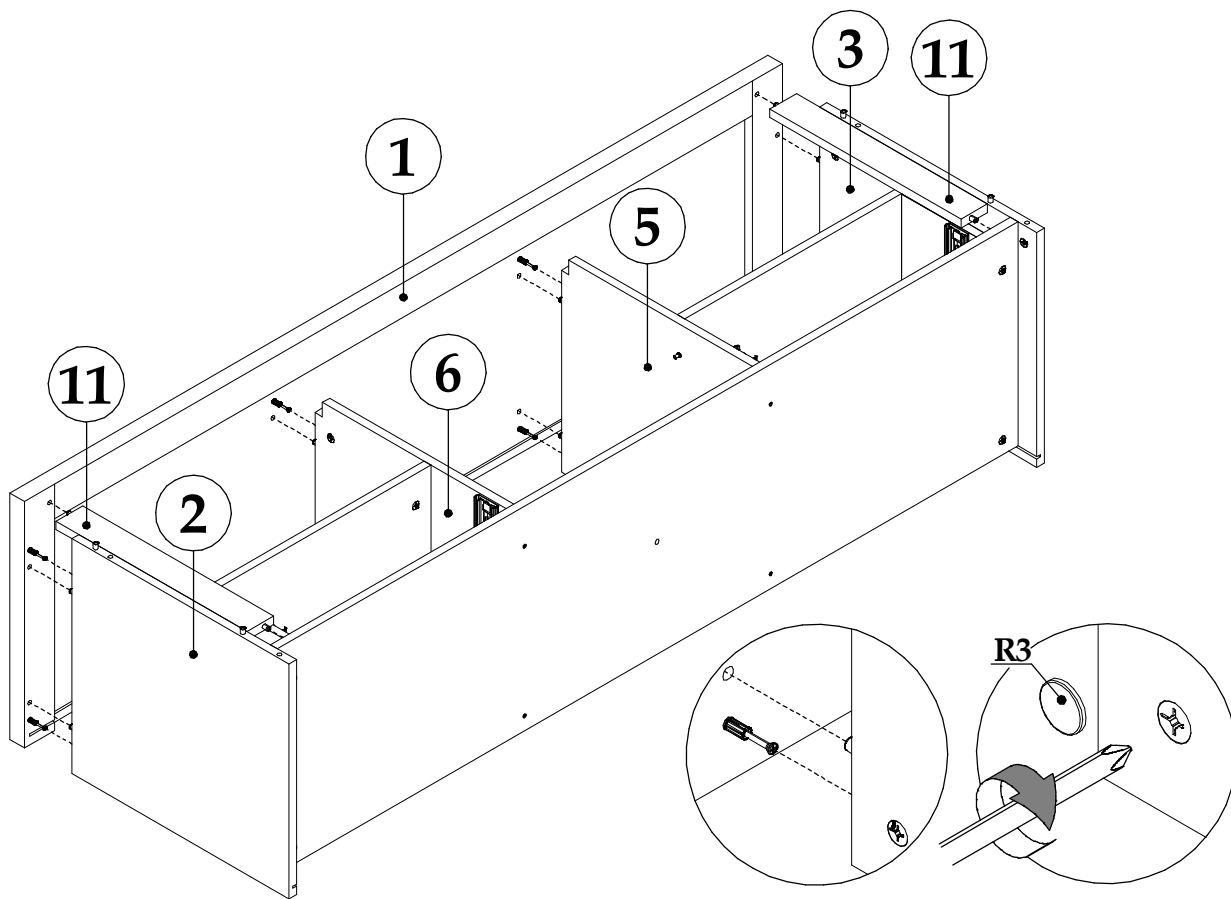
▶ 5



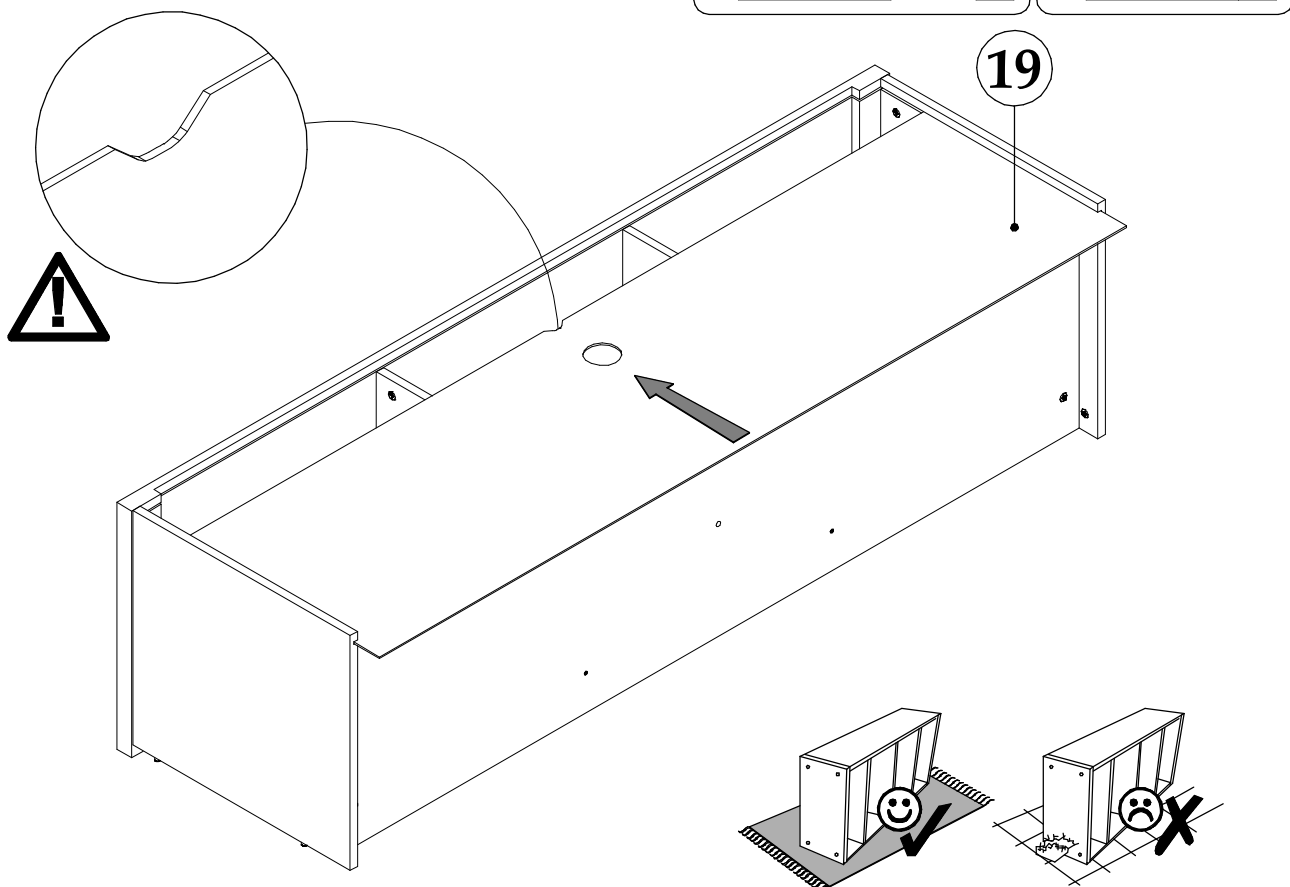
▶ 6



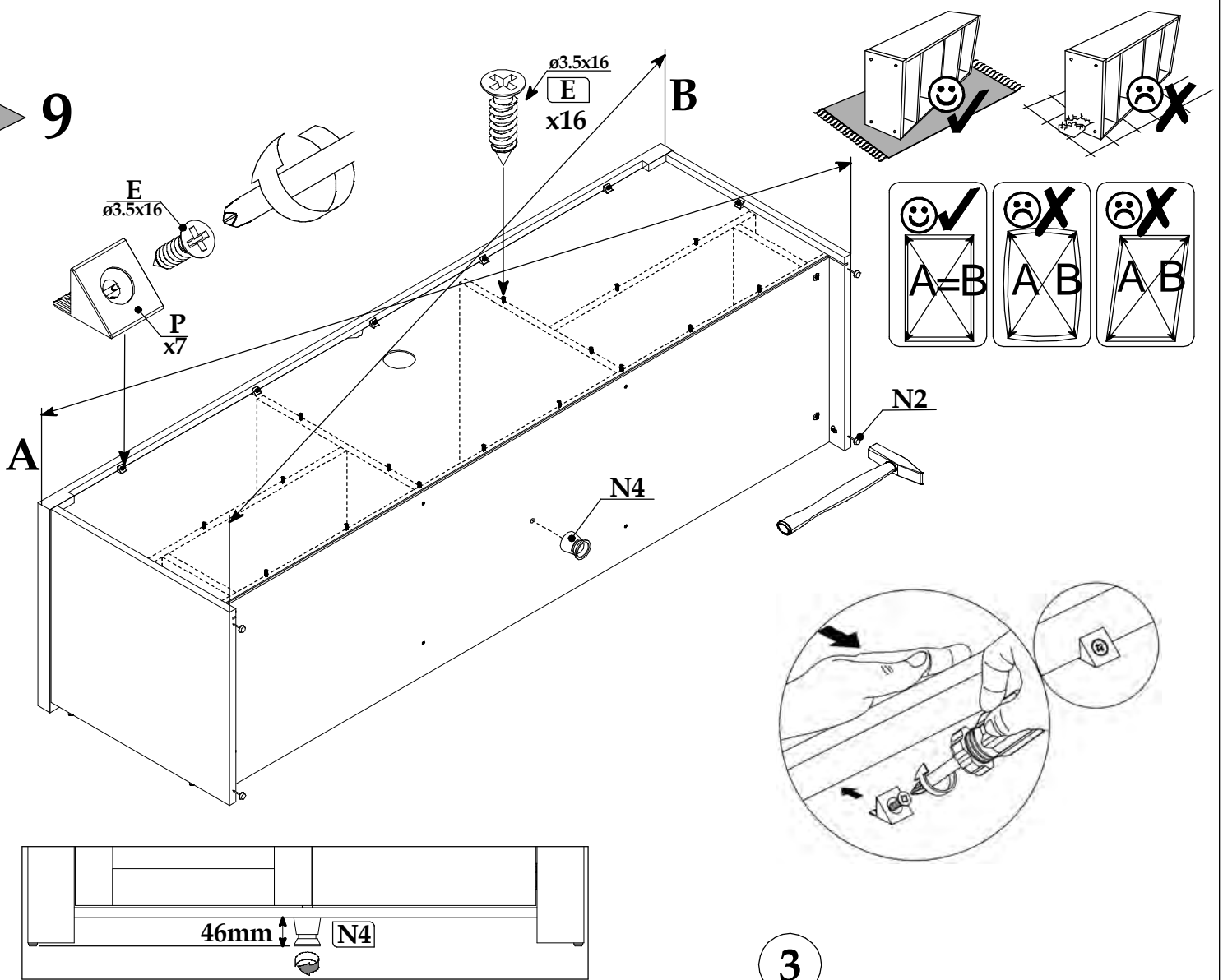
▶ 7



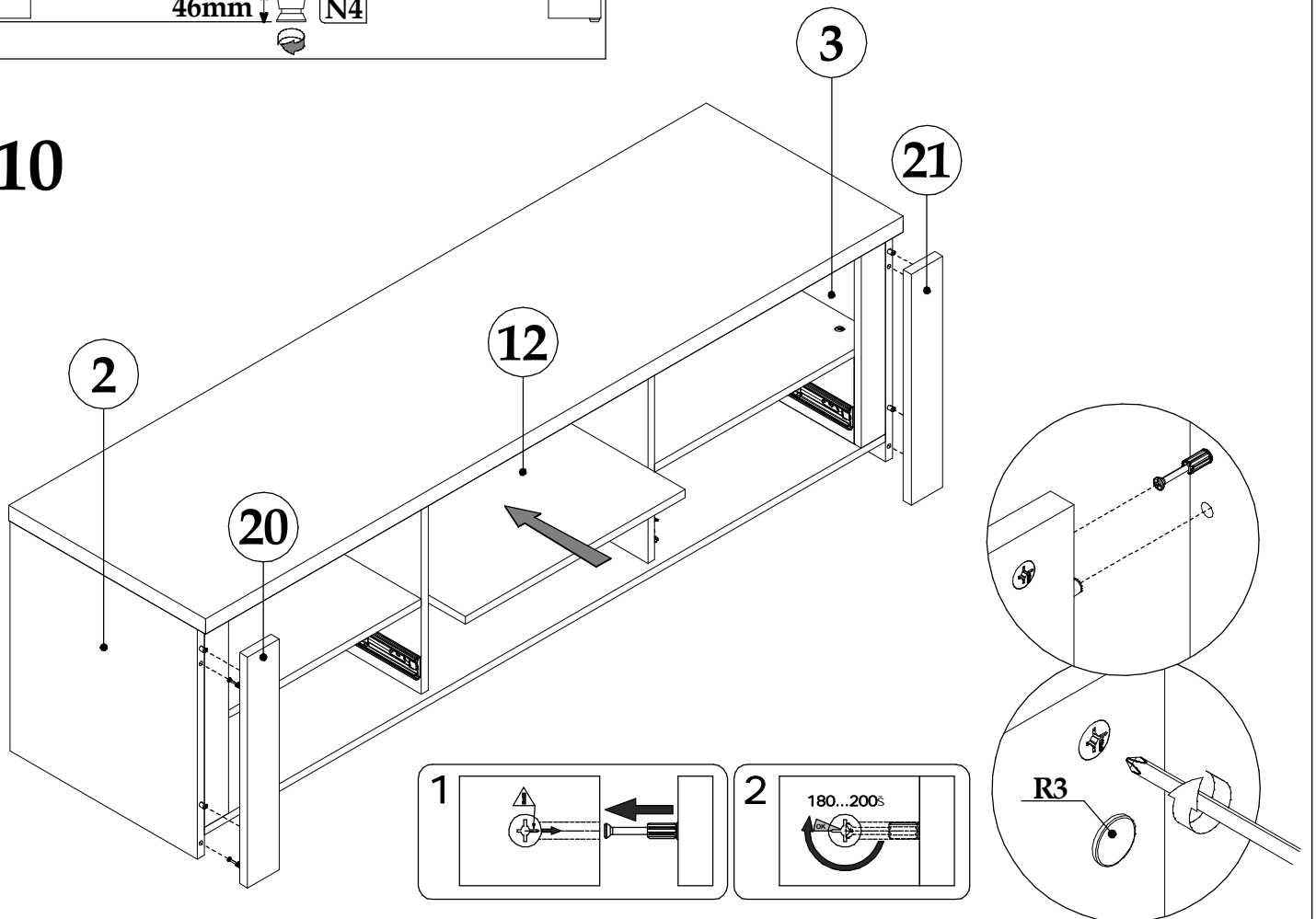
▶ 8



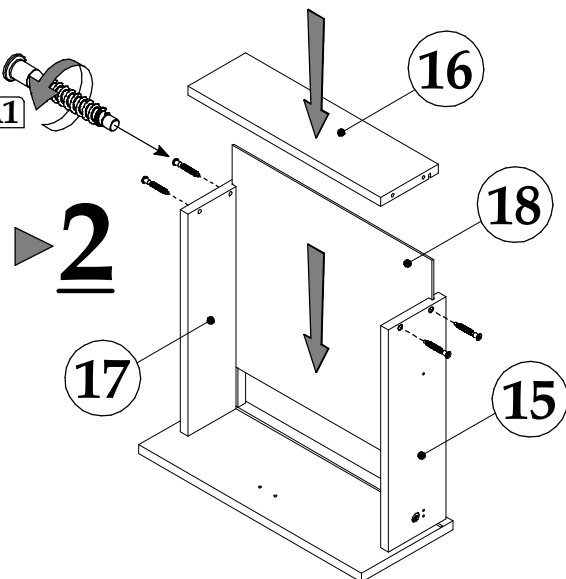
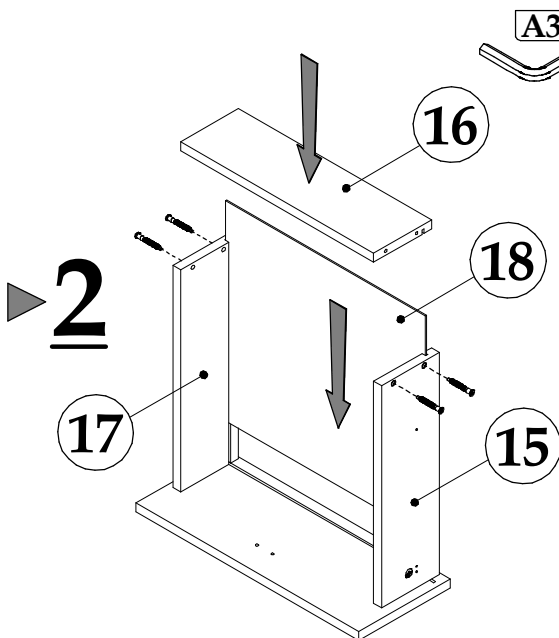
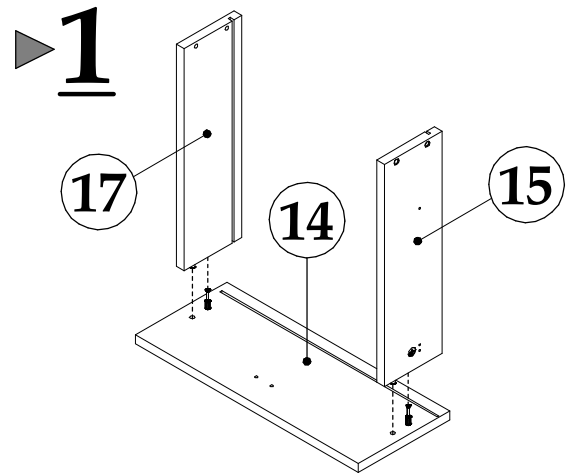
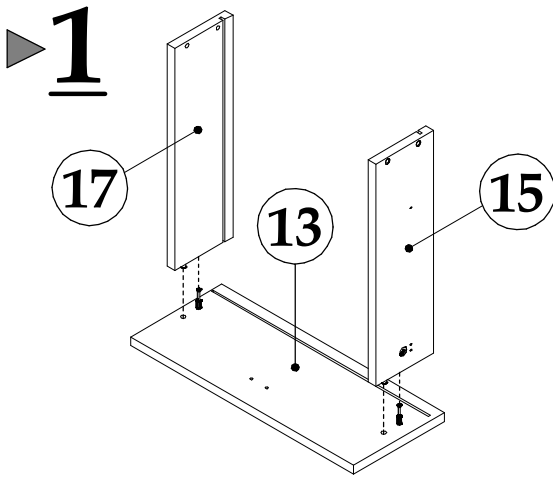
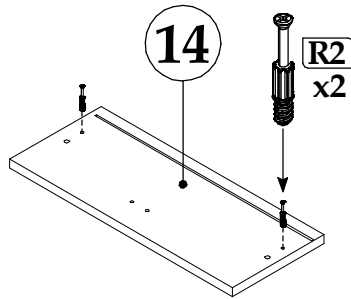
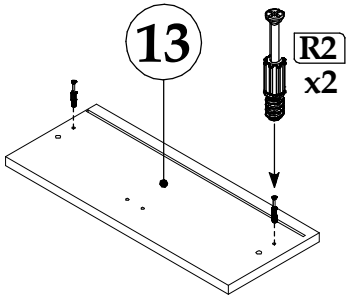
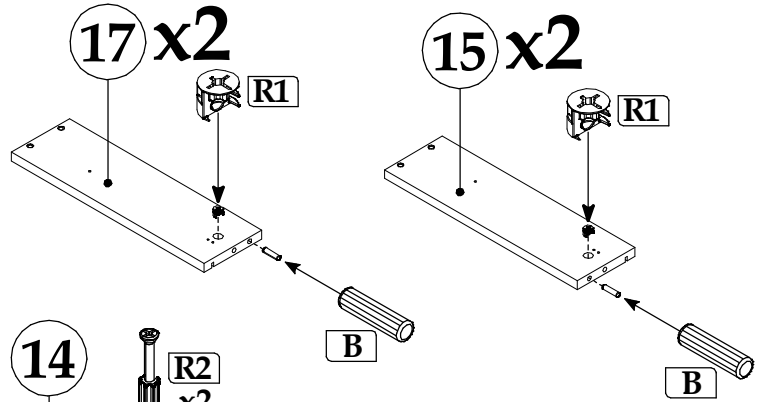
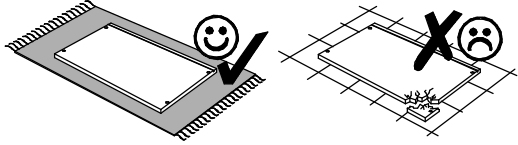
▶ 9



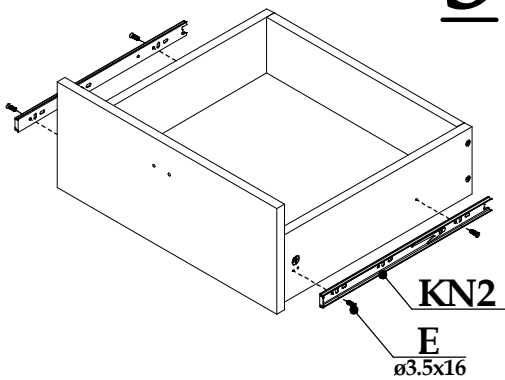
▶ 10



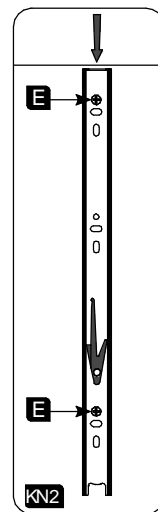
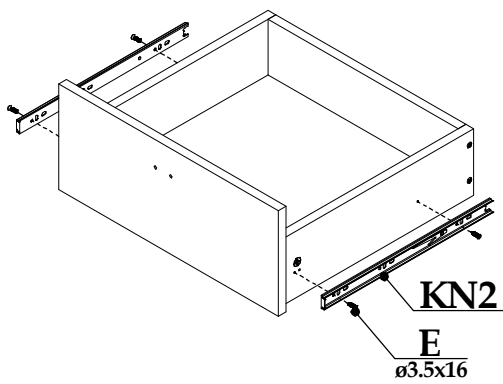
► 11



▶ **12**

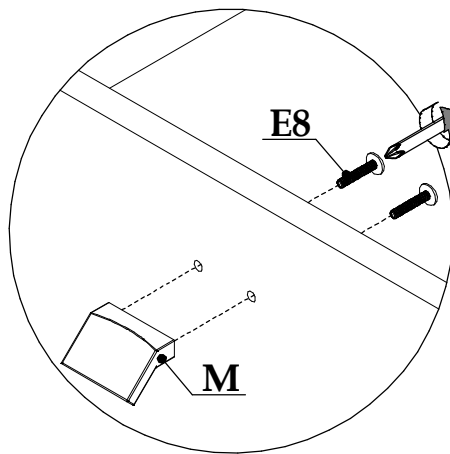
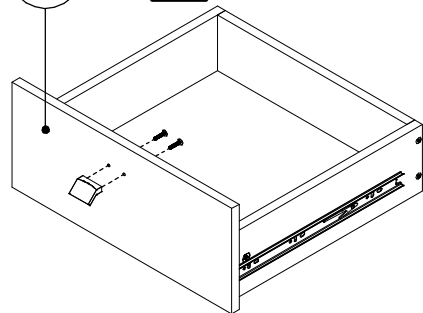


▶ **3**

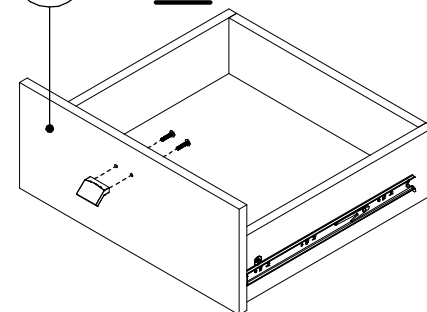


▶ **3**

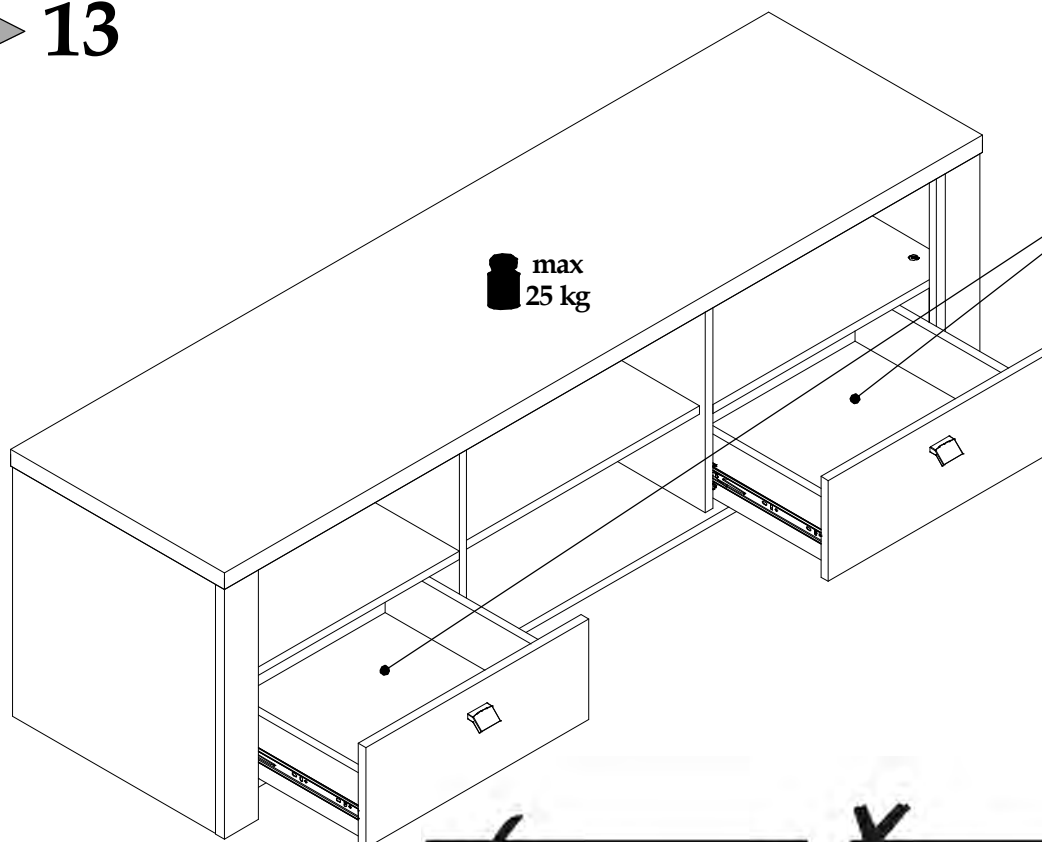
▶ **4**



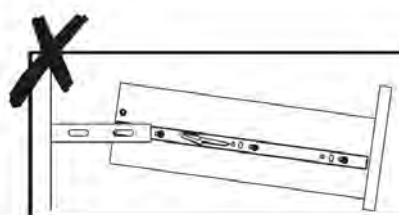
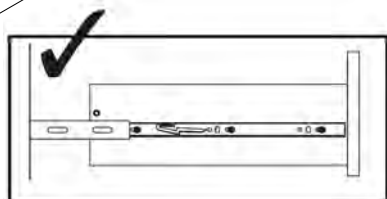
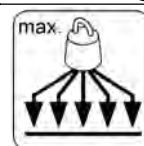
▶ **4**



▶ **13**



max. 3kg



▶ 14

