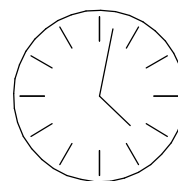
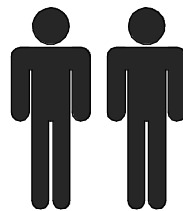
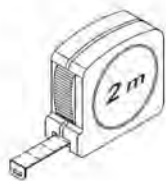
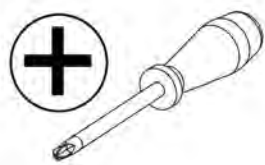
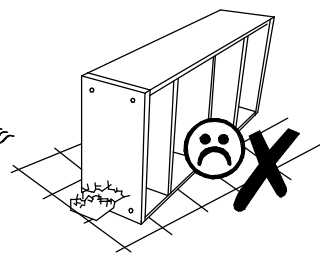
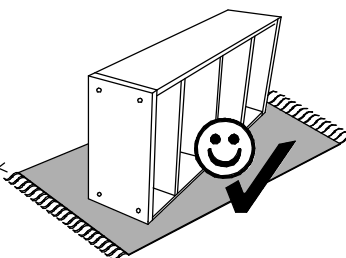
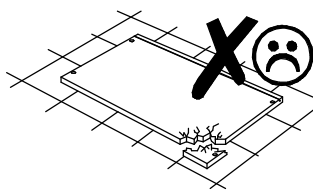
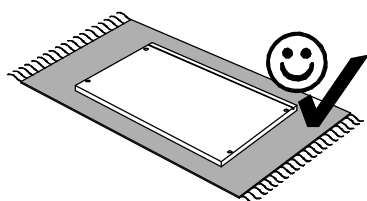
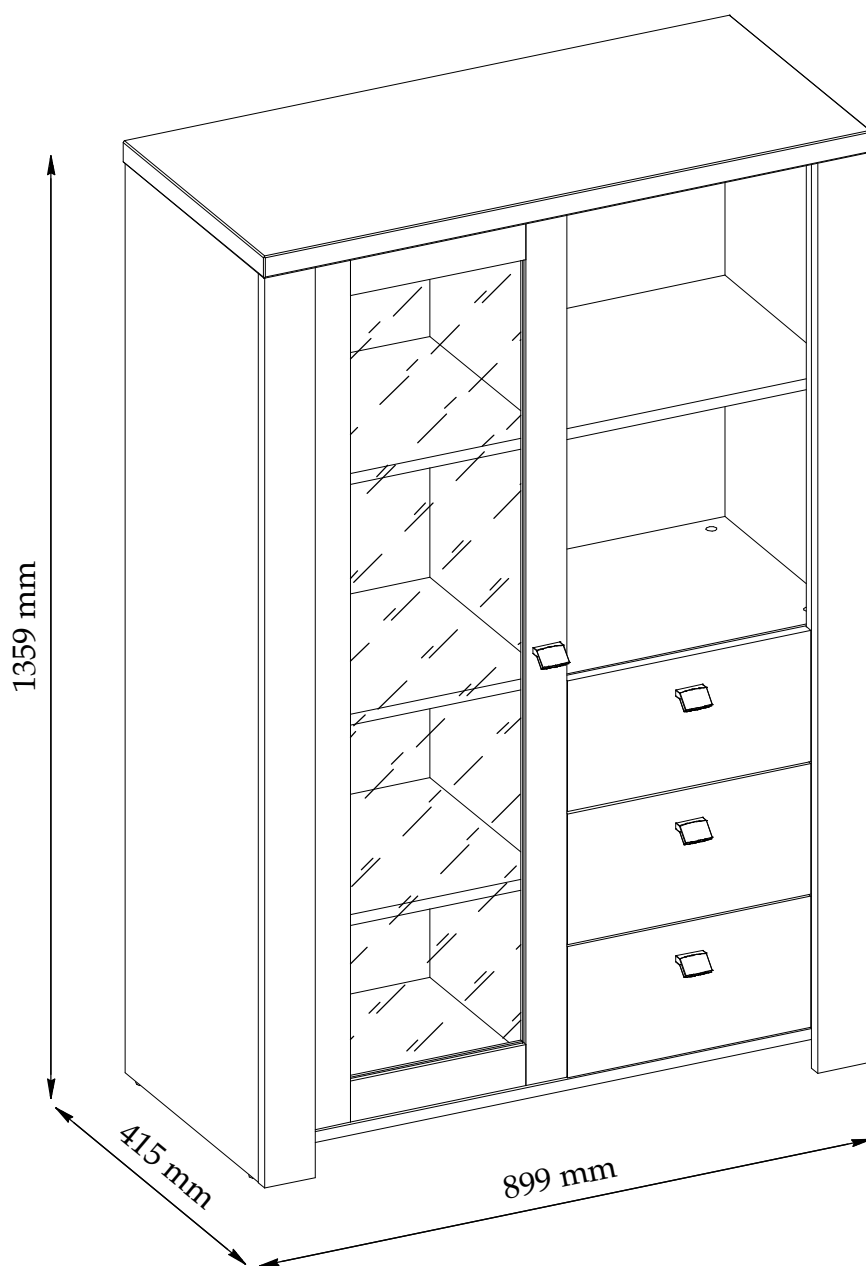
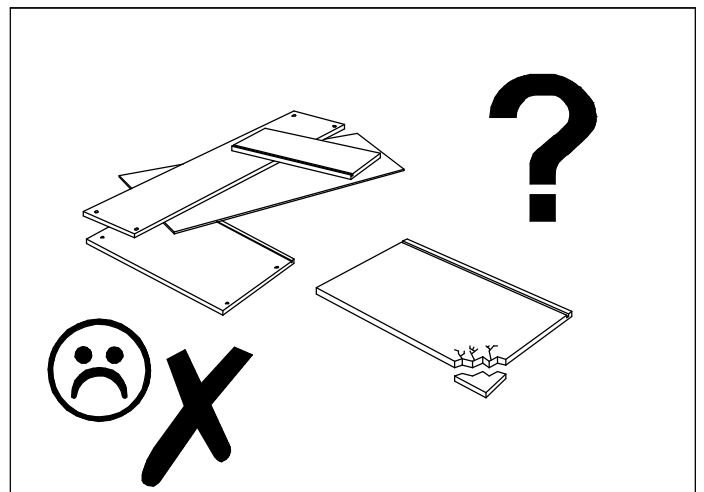
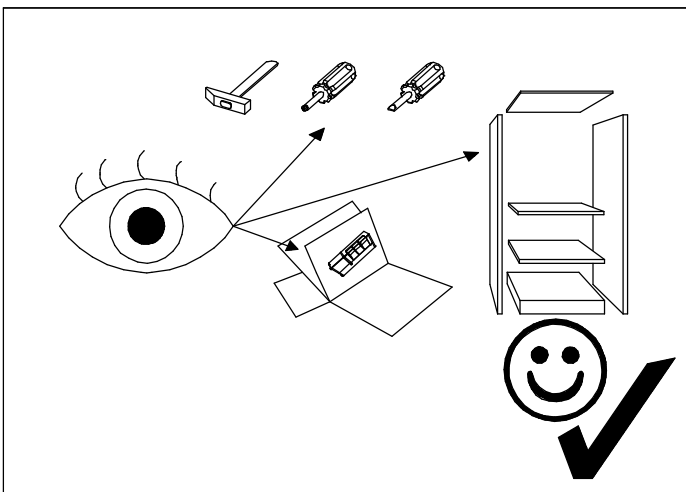
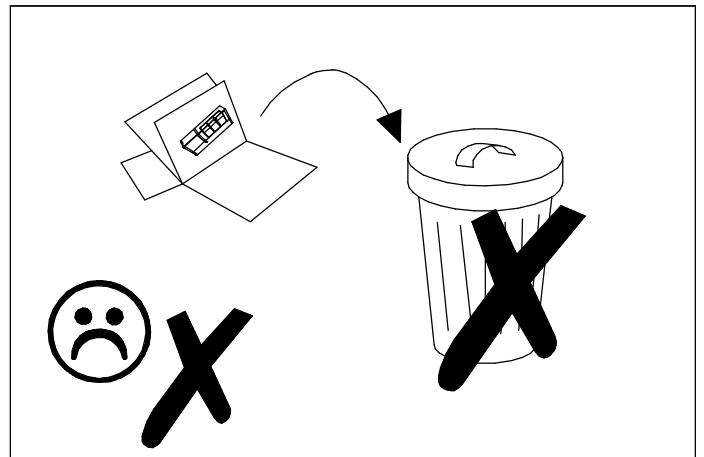
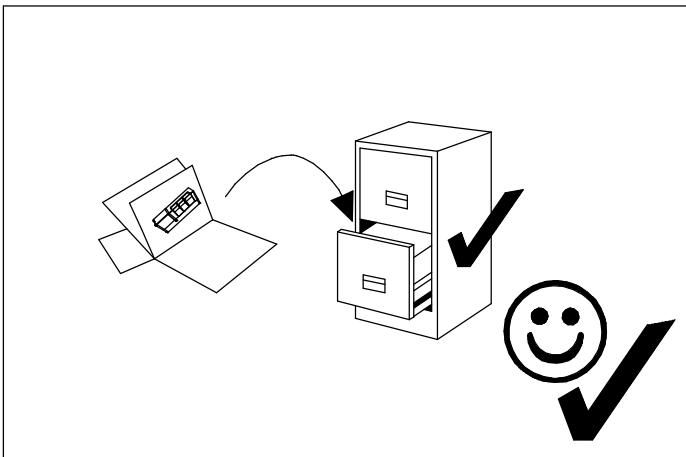
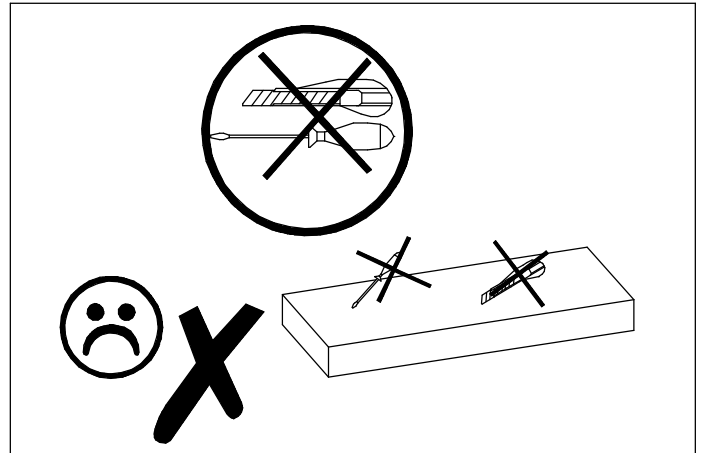
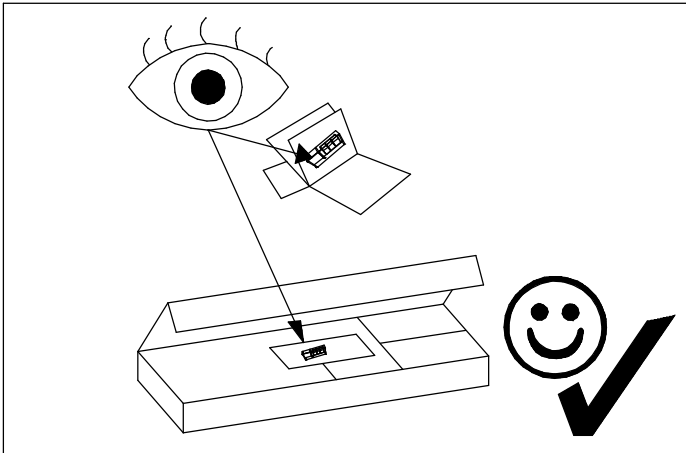


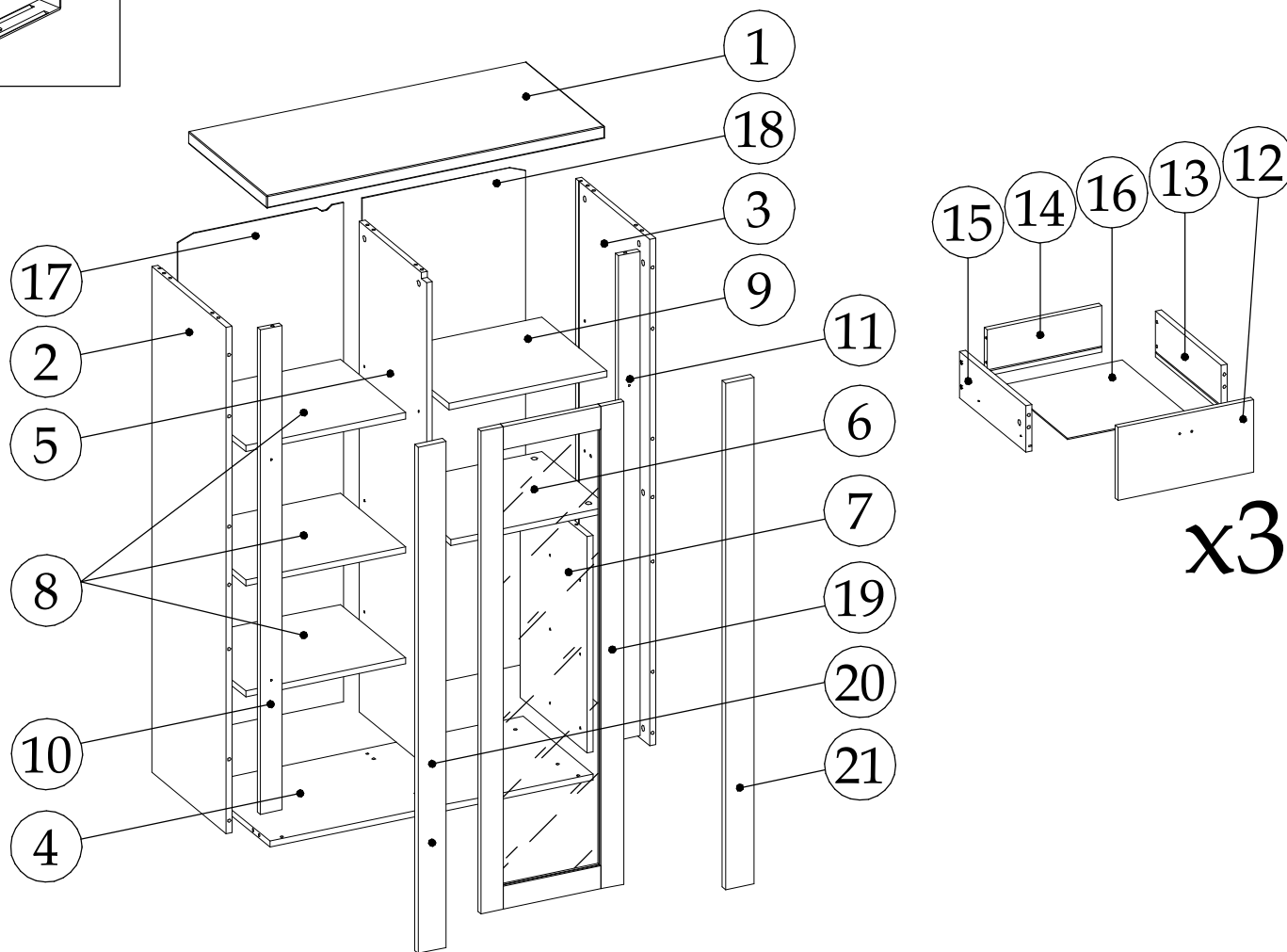
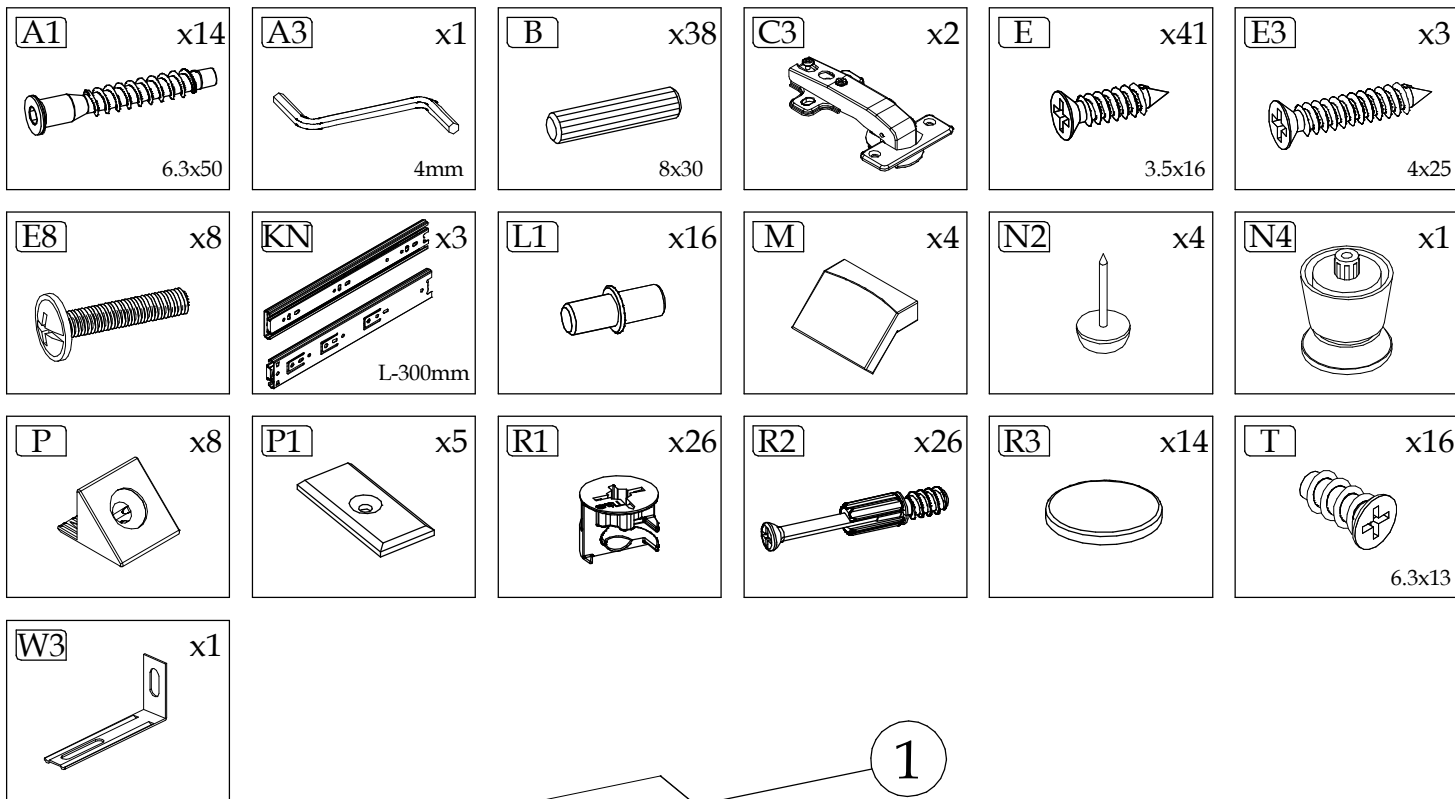
LATOUC C



110 min



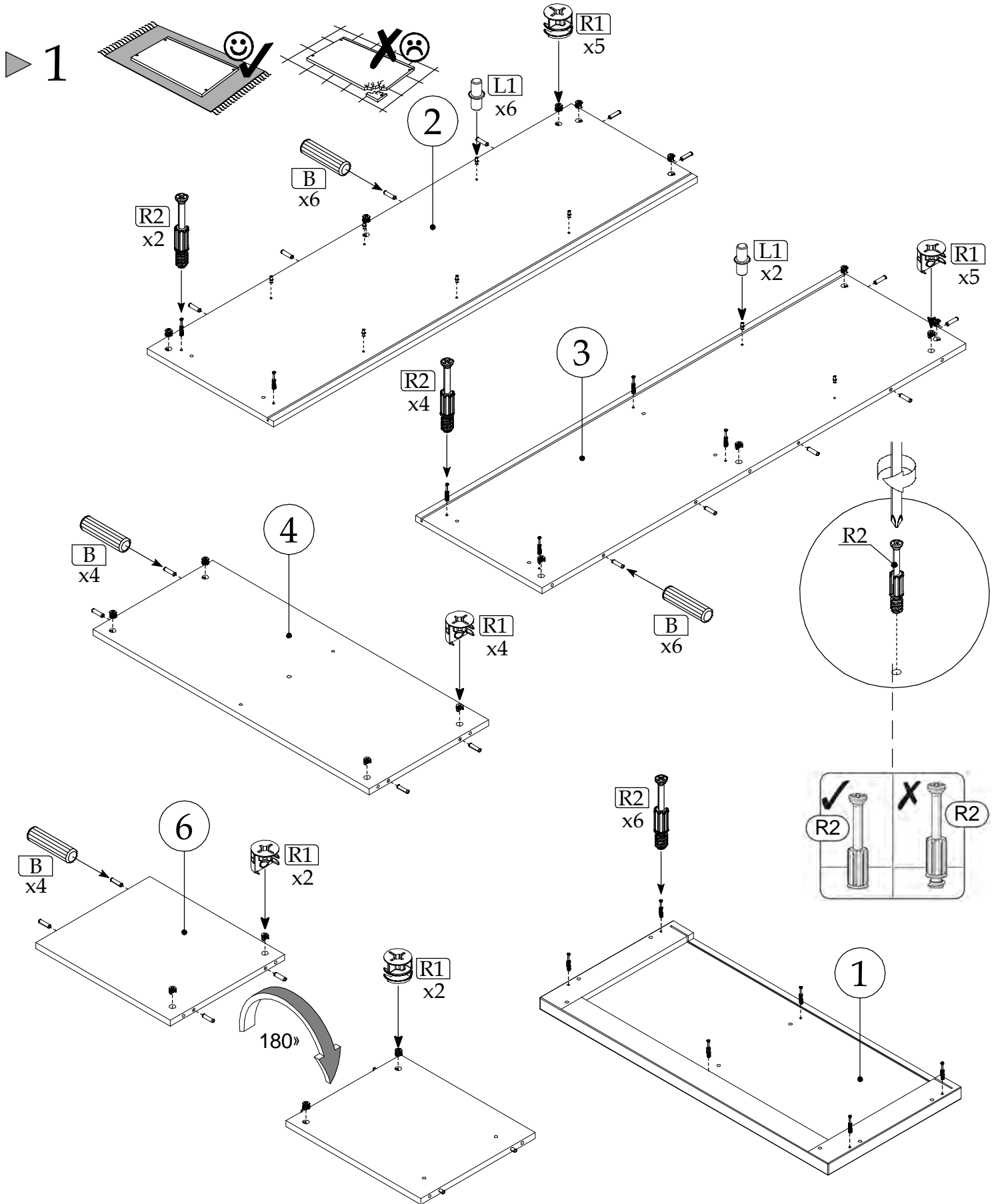
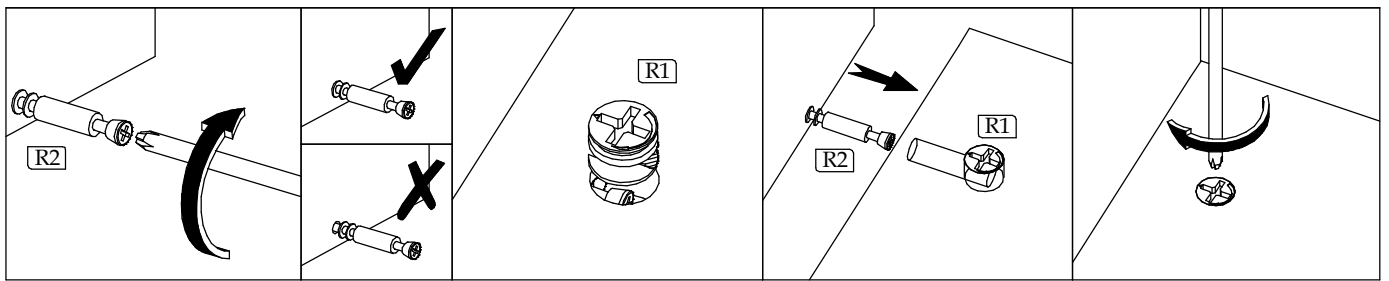




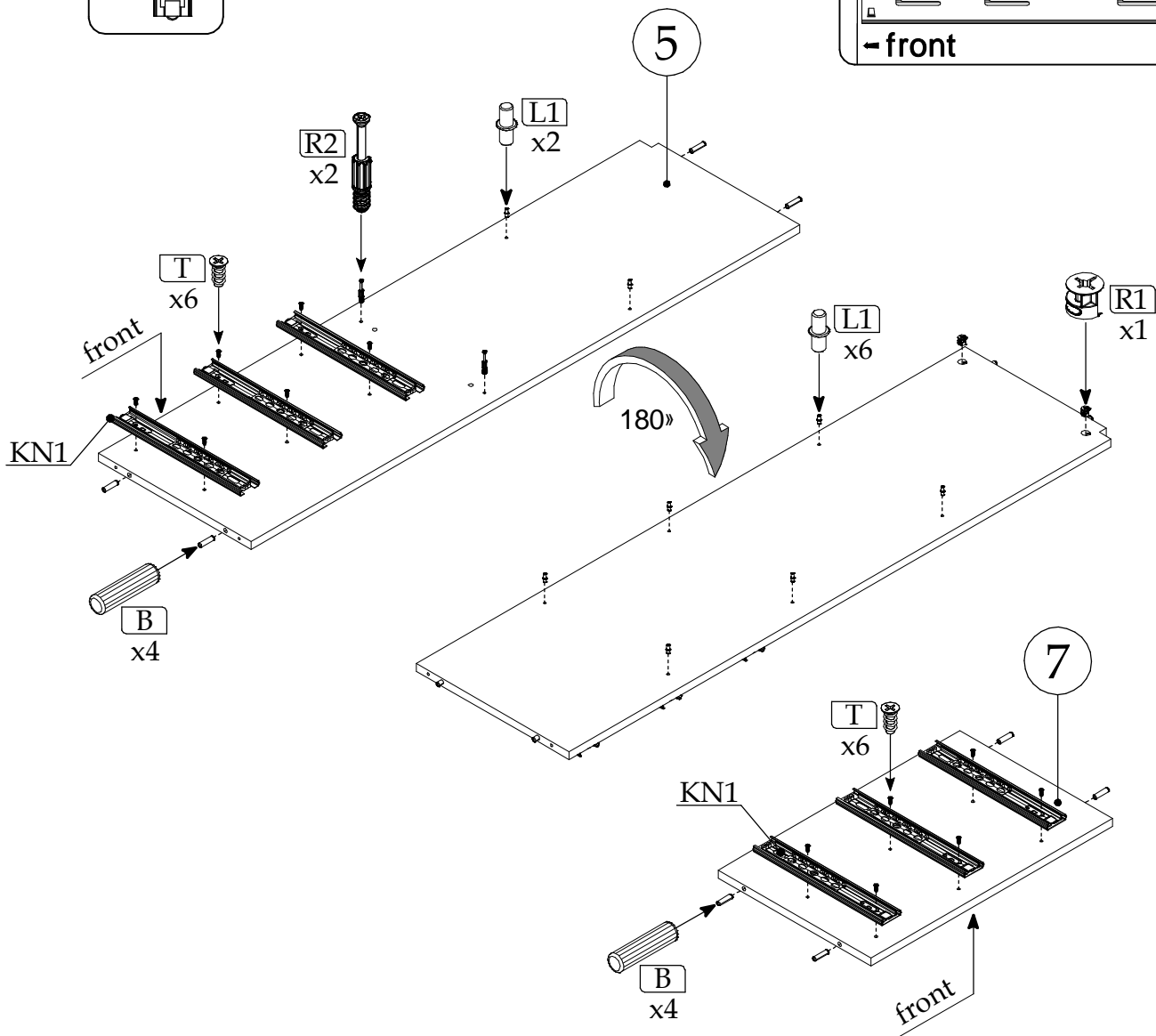
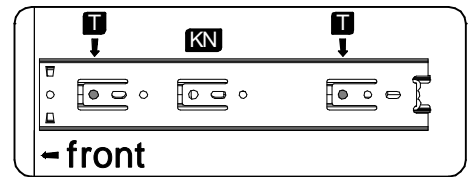
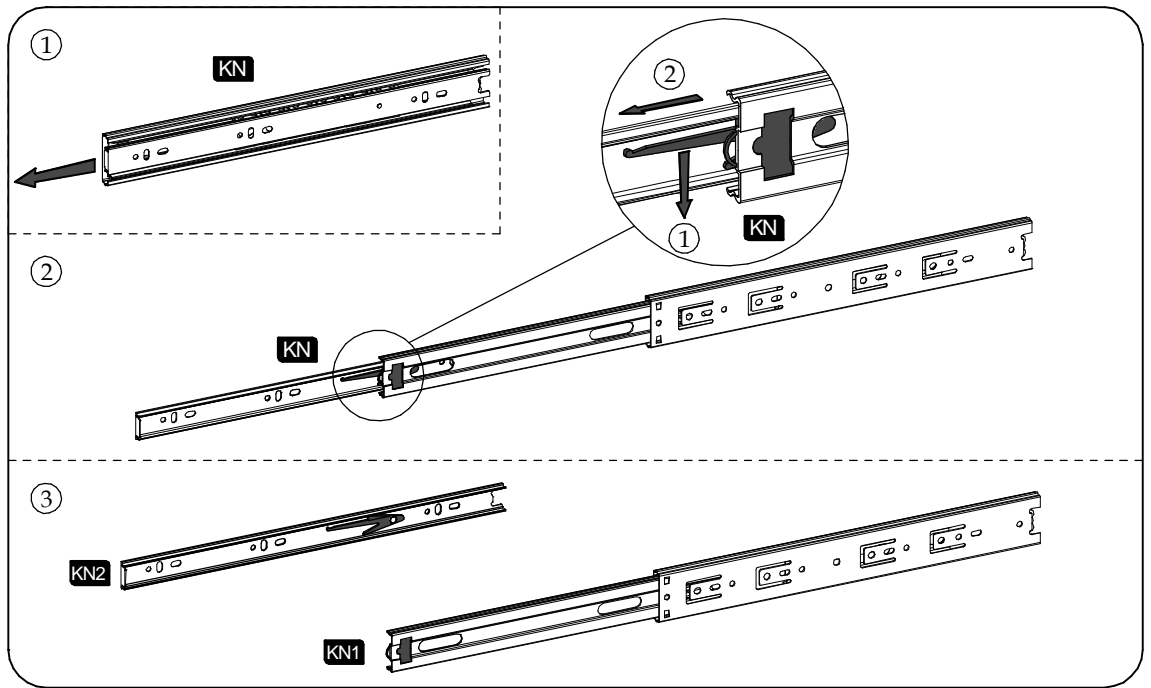
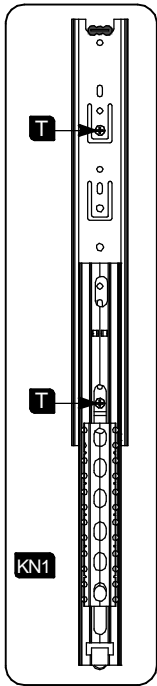
Element symbol	Measurements				Code	Paket
1	899	415	32	1	1002	2/2
2	1322	393	16	1	1003	1/2
3	1322	393	16	1	1004	1/2
4	861	373	16	1	1005	2/2
5	1281	357	16	1	1007	1/2
6	420	356.5	16	1	1015	2/2

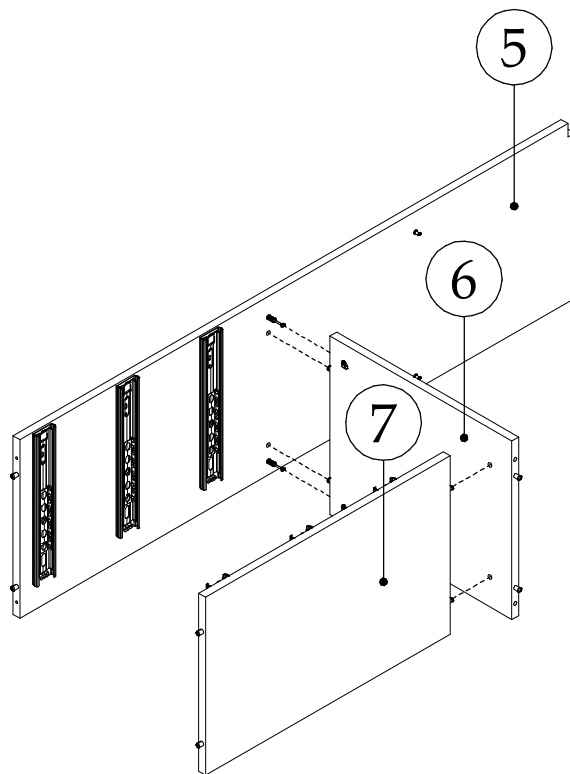
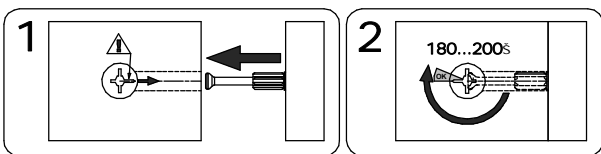
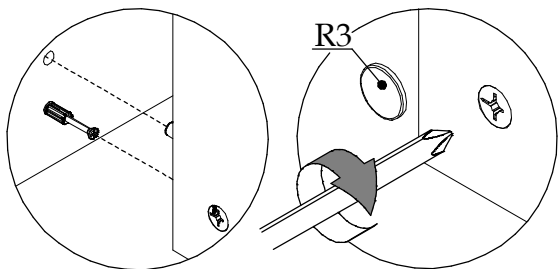
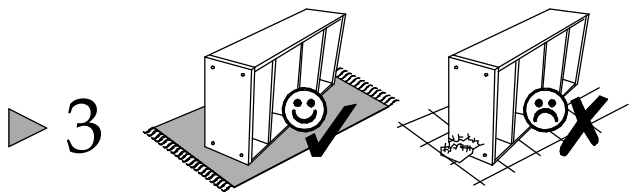
7	565	356.5	16	1	1025	2/2
8	425	345	16	3		2/2
9	420	345	16	1		2/2
10	1265	58	16	1	1045	1/2
11	1265	58	16	1	1046	1/2
12	360	190	16	3	1026	2/2
13	350	120	16	3	1027	2/2

14	300.5	120	16	3	1028	/2
15	350	120	16	3	1029	2/2
16	314.5	346	3	3		2/2
17	1304	440	3	1	1006	1/2
18	1304	435	3	1	1047	1/2
19	1260	380	16	1		1/2
20	1322	75	16	1		1/2
21	1322	75	16	1		1/2

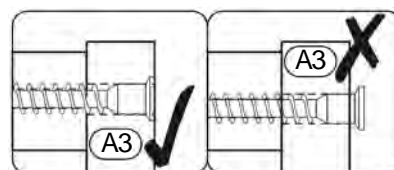
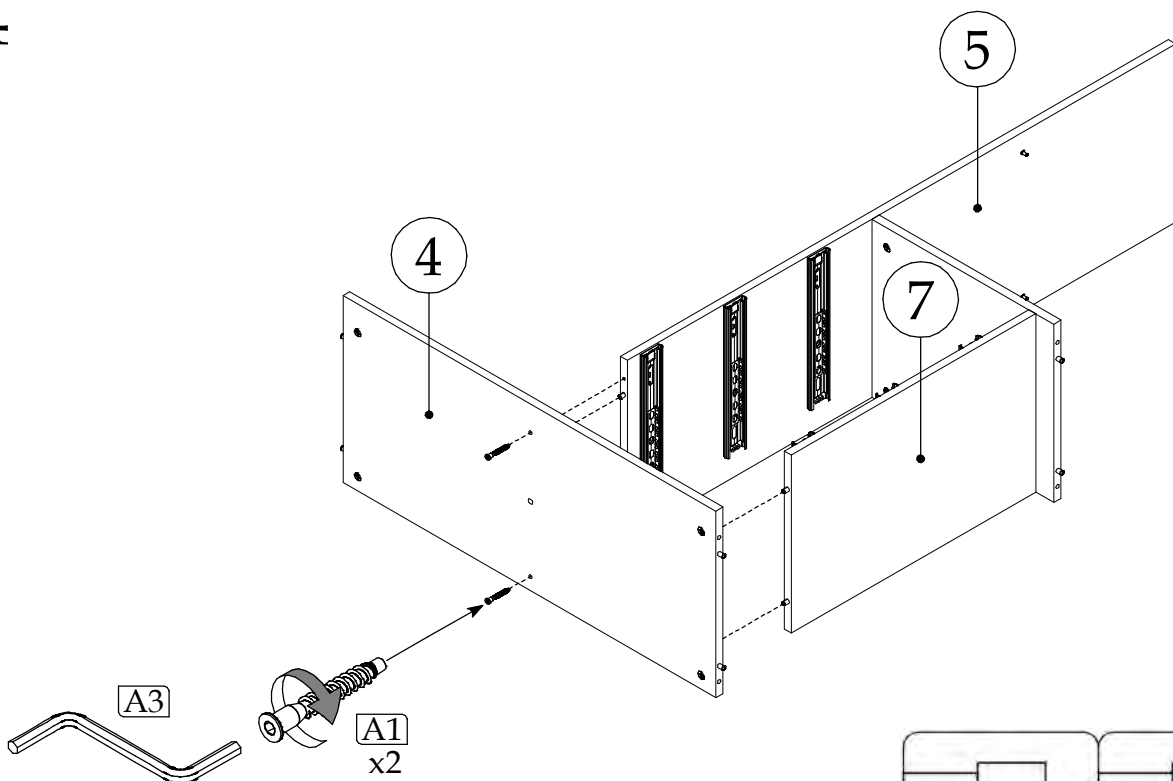


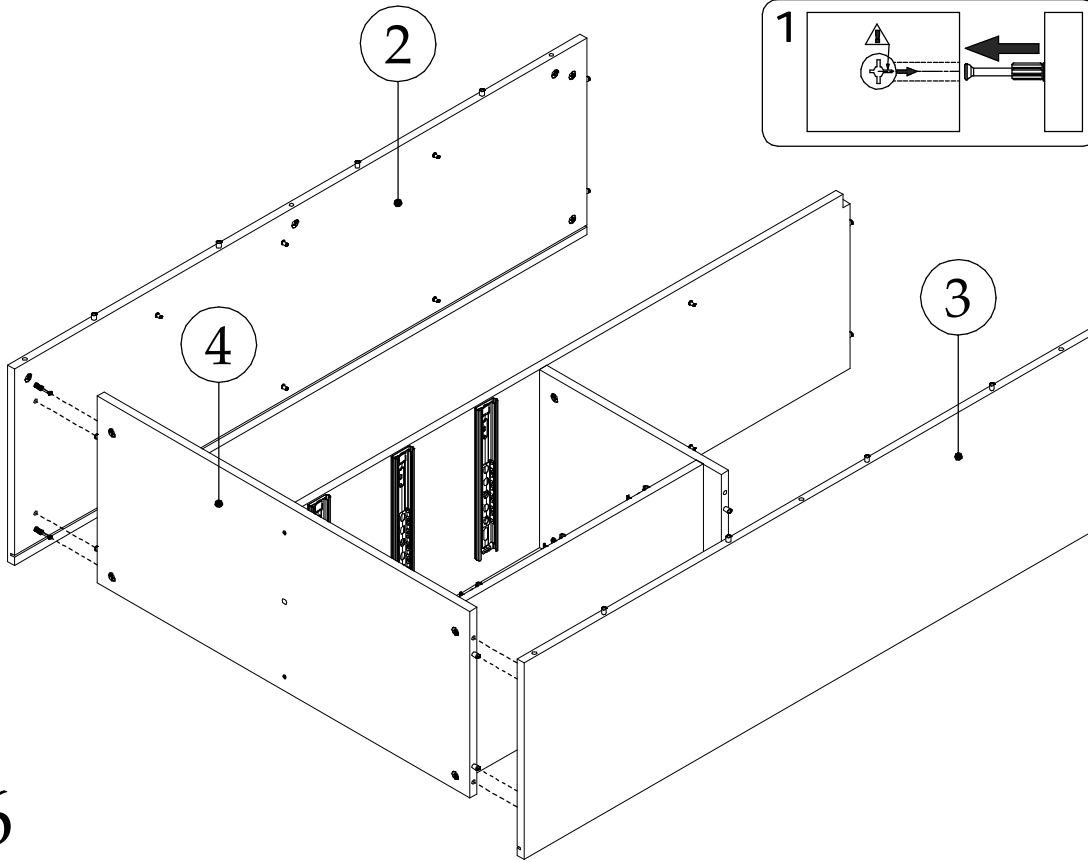
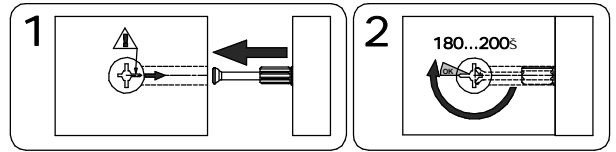
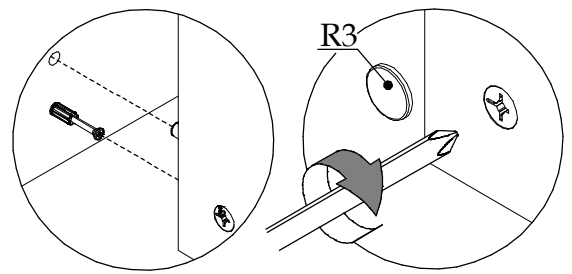
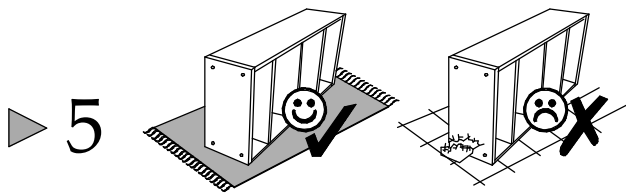
▶ 2



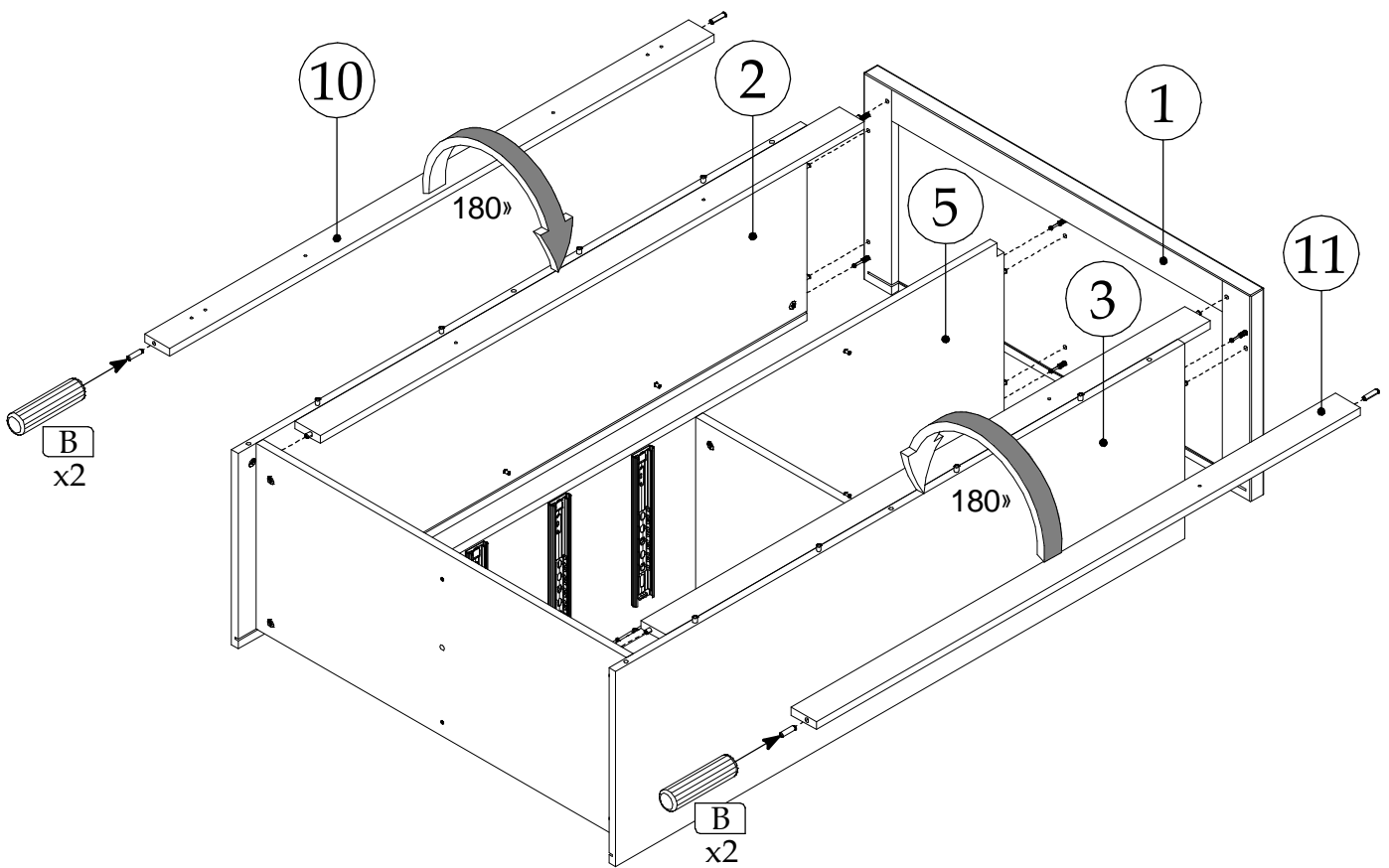


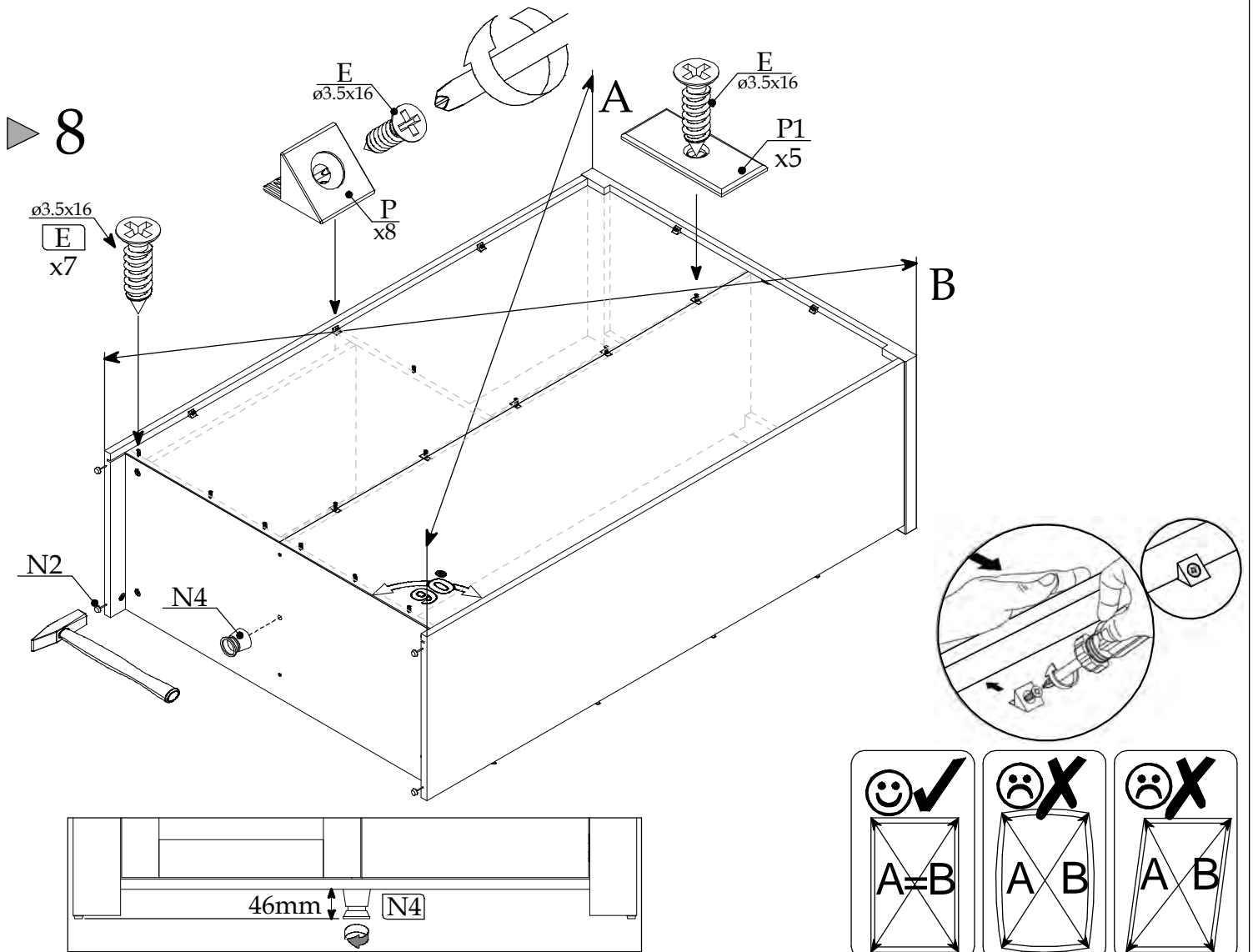
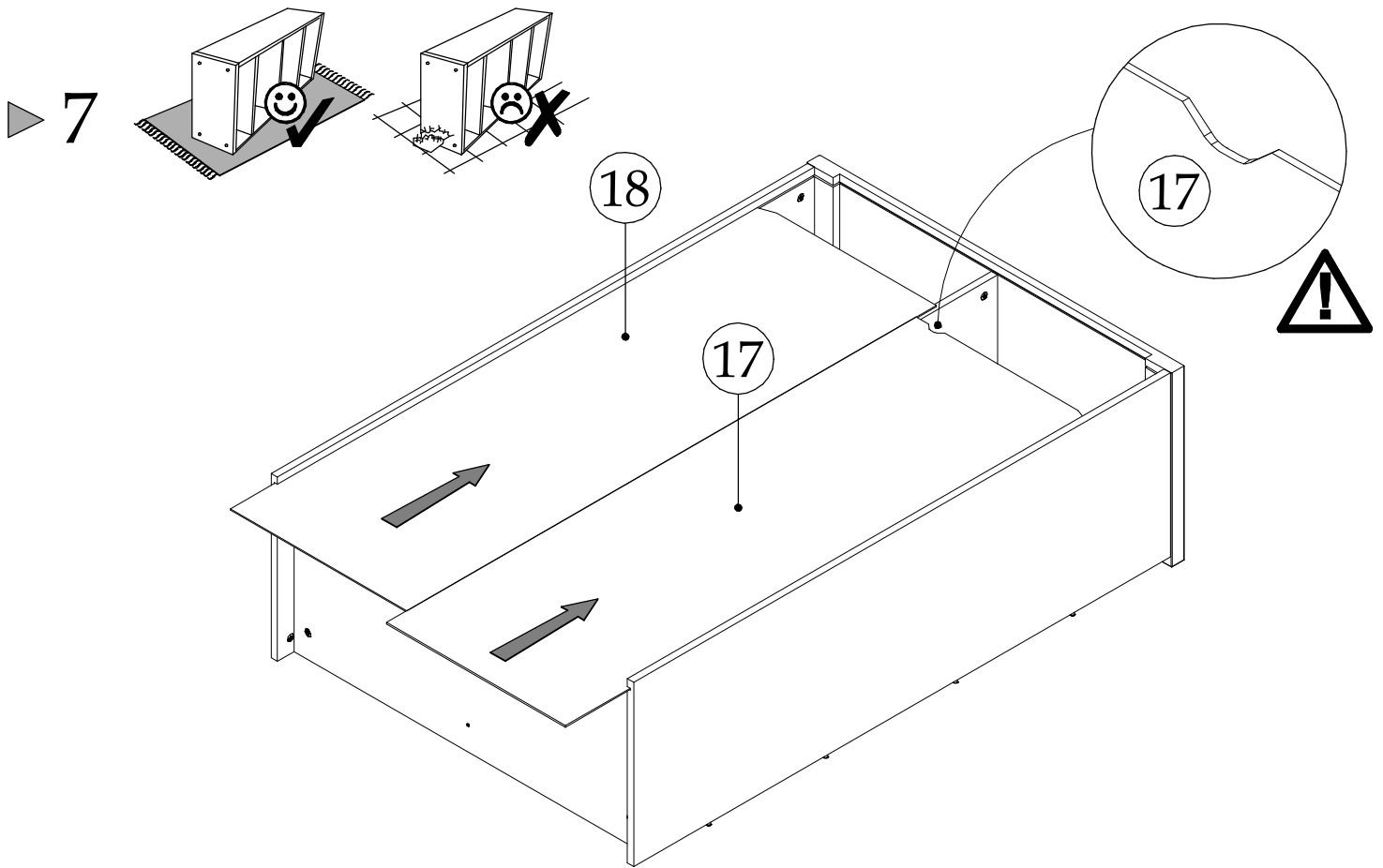
▶ 4

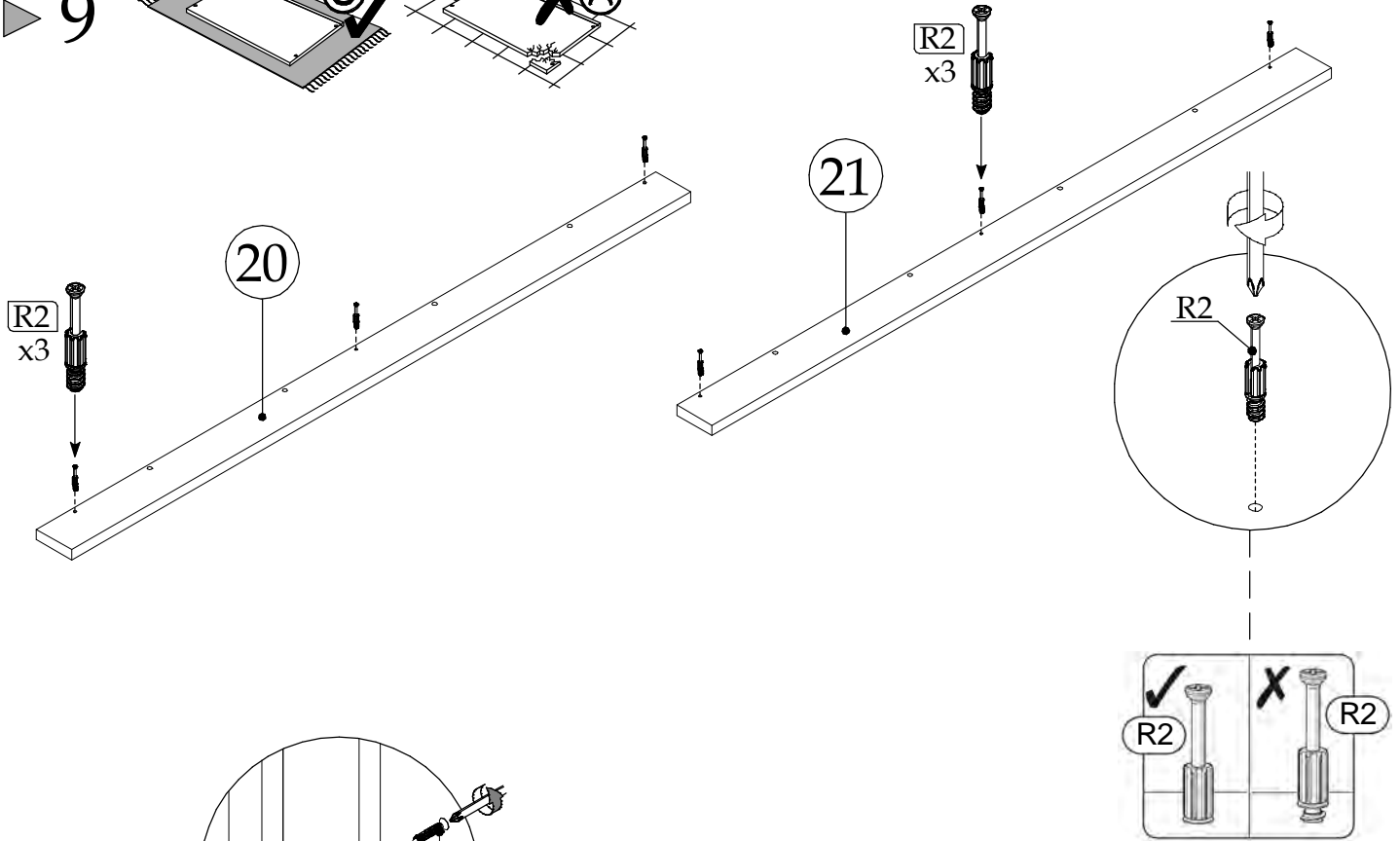
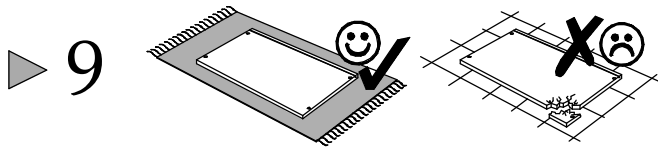




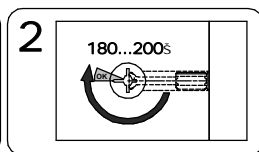
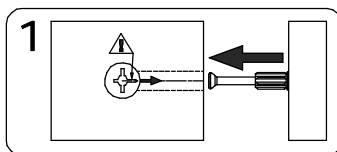
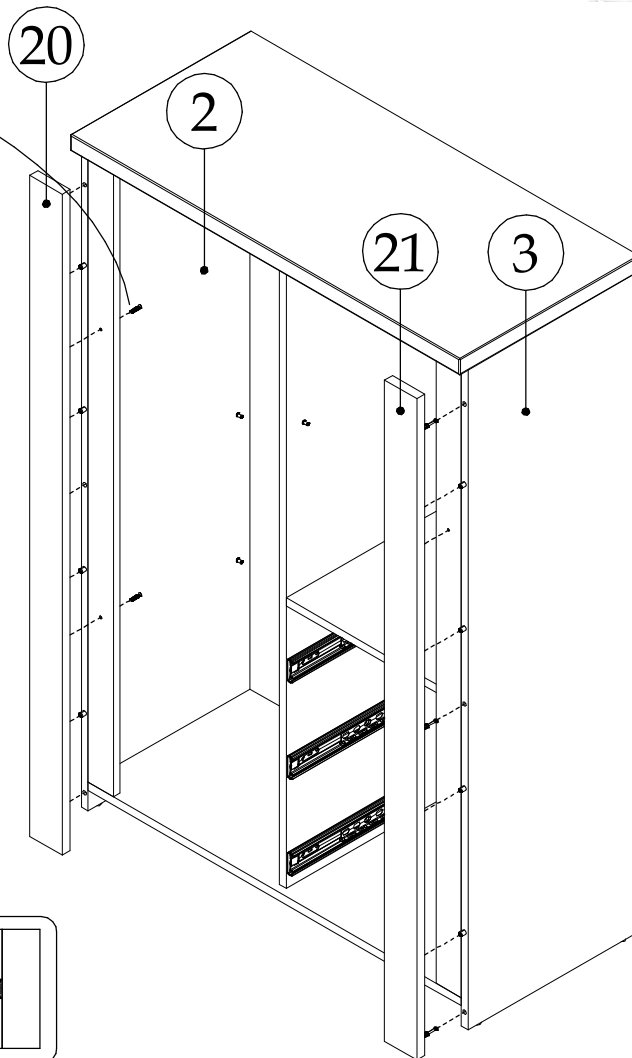
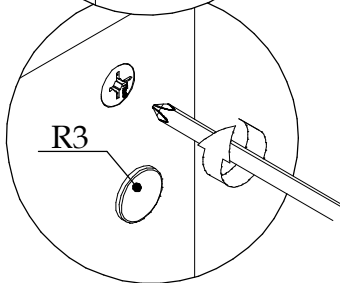
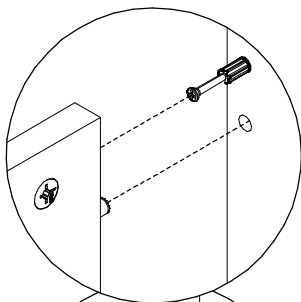
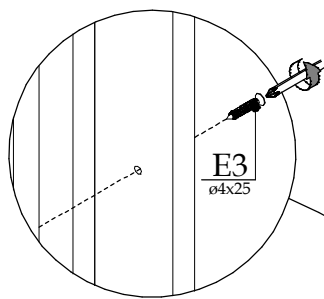
▶ 6

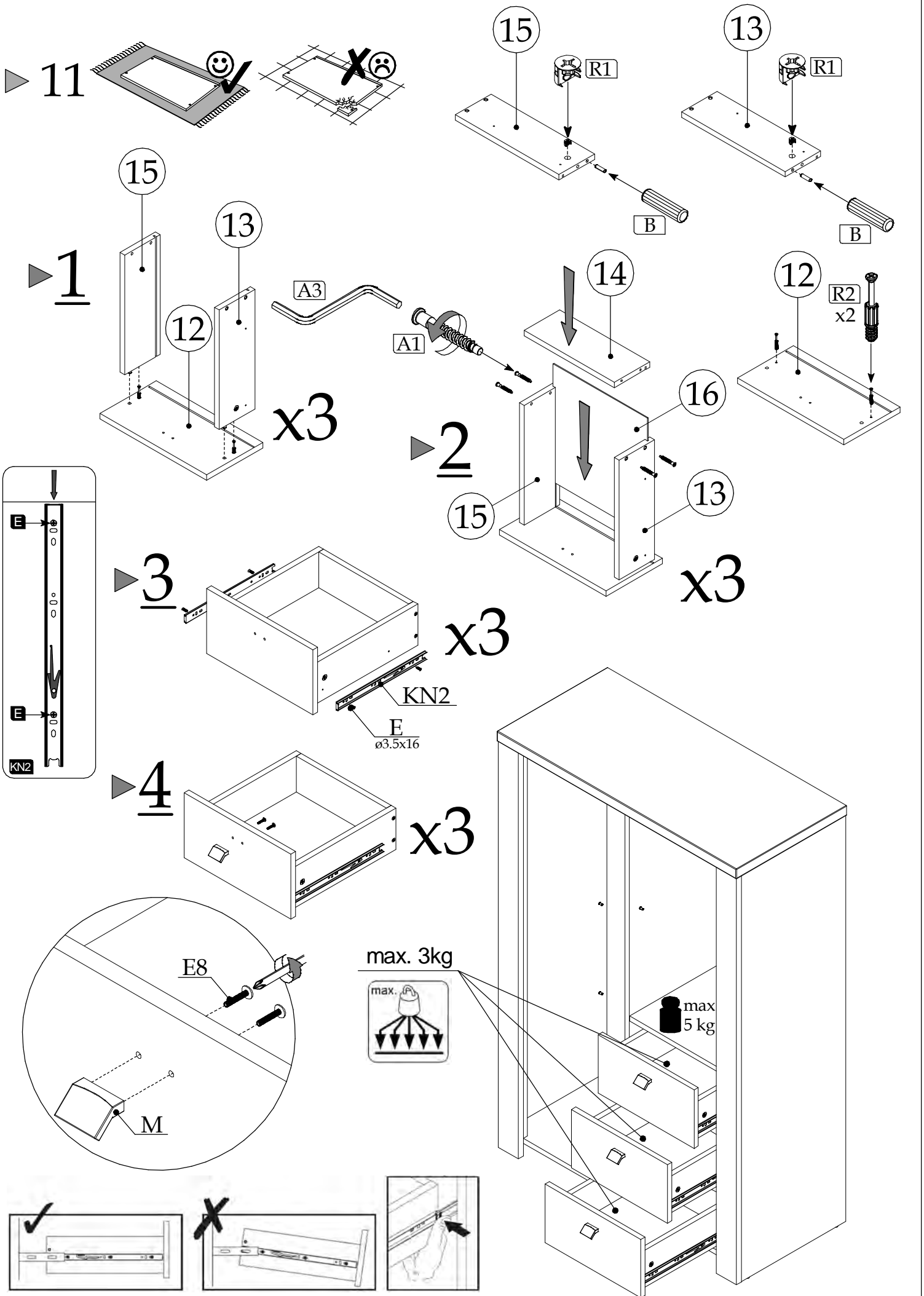


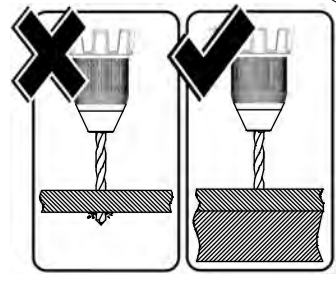
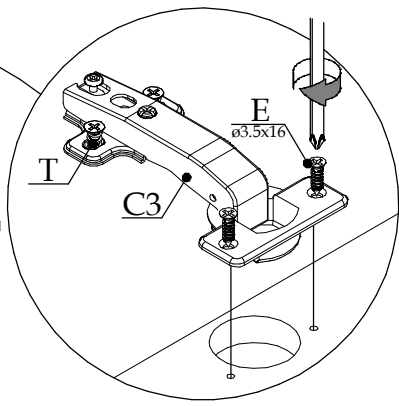
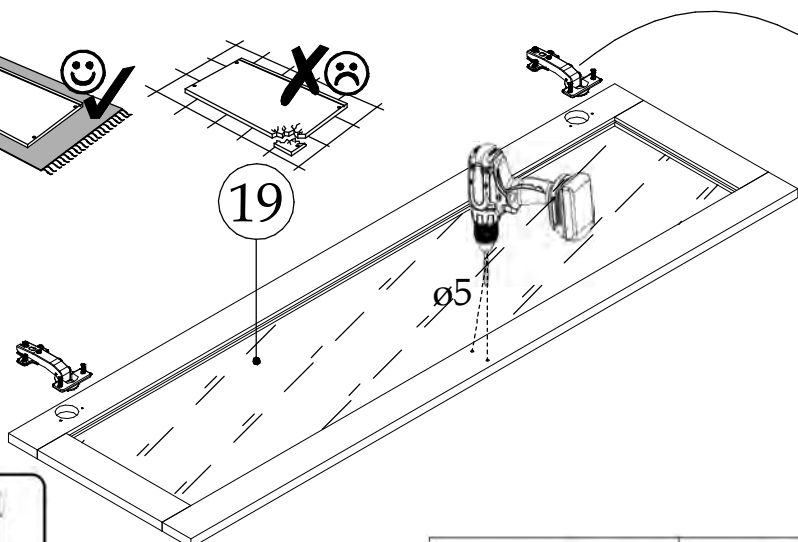
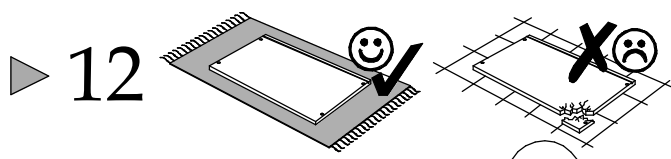




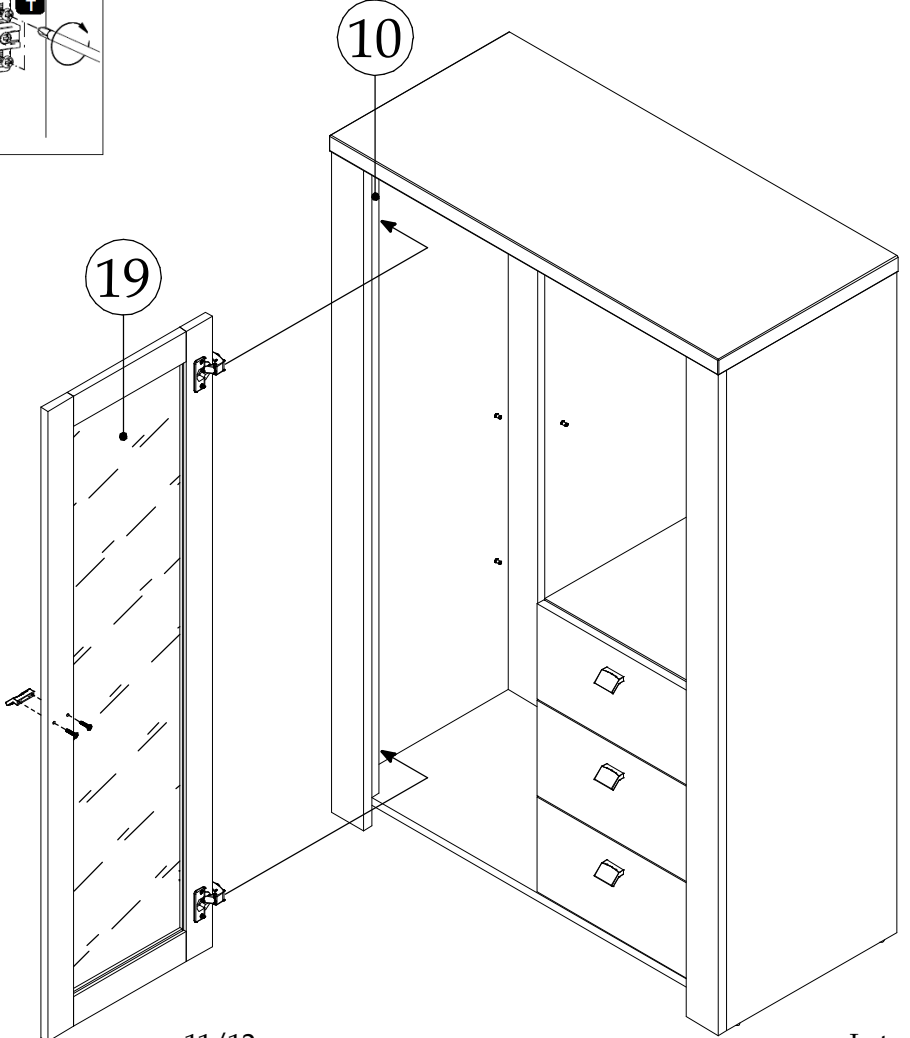
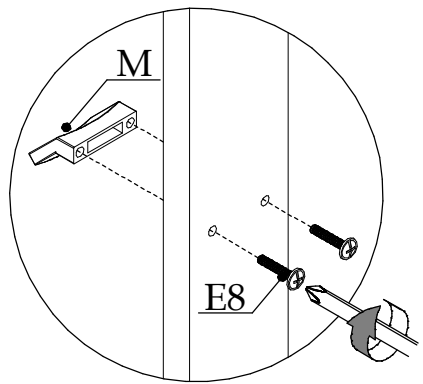
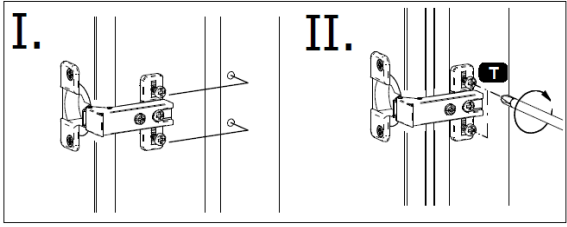
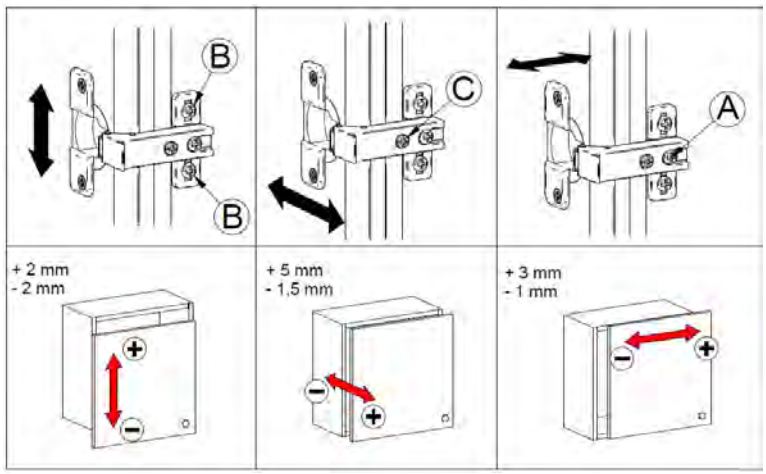
▶ 10







▶ 13



▶ 14

