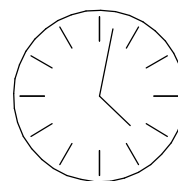
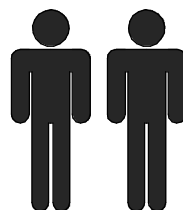
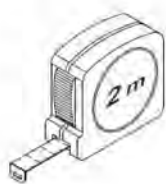
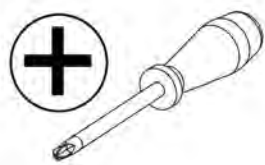
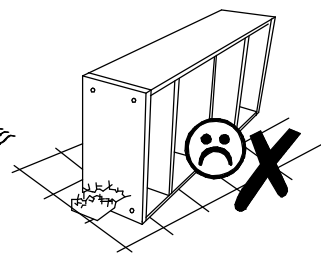
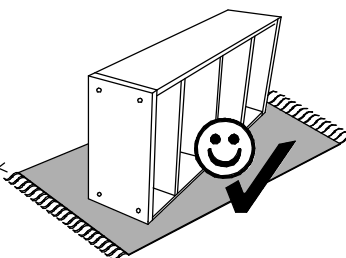
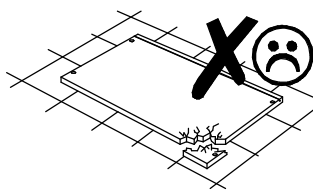
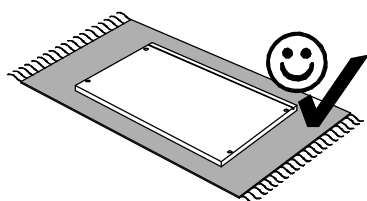
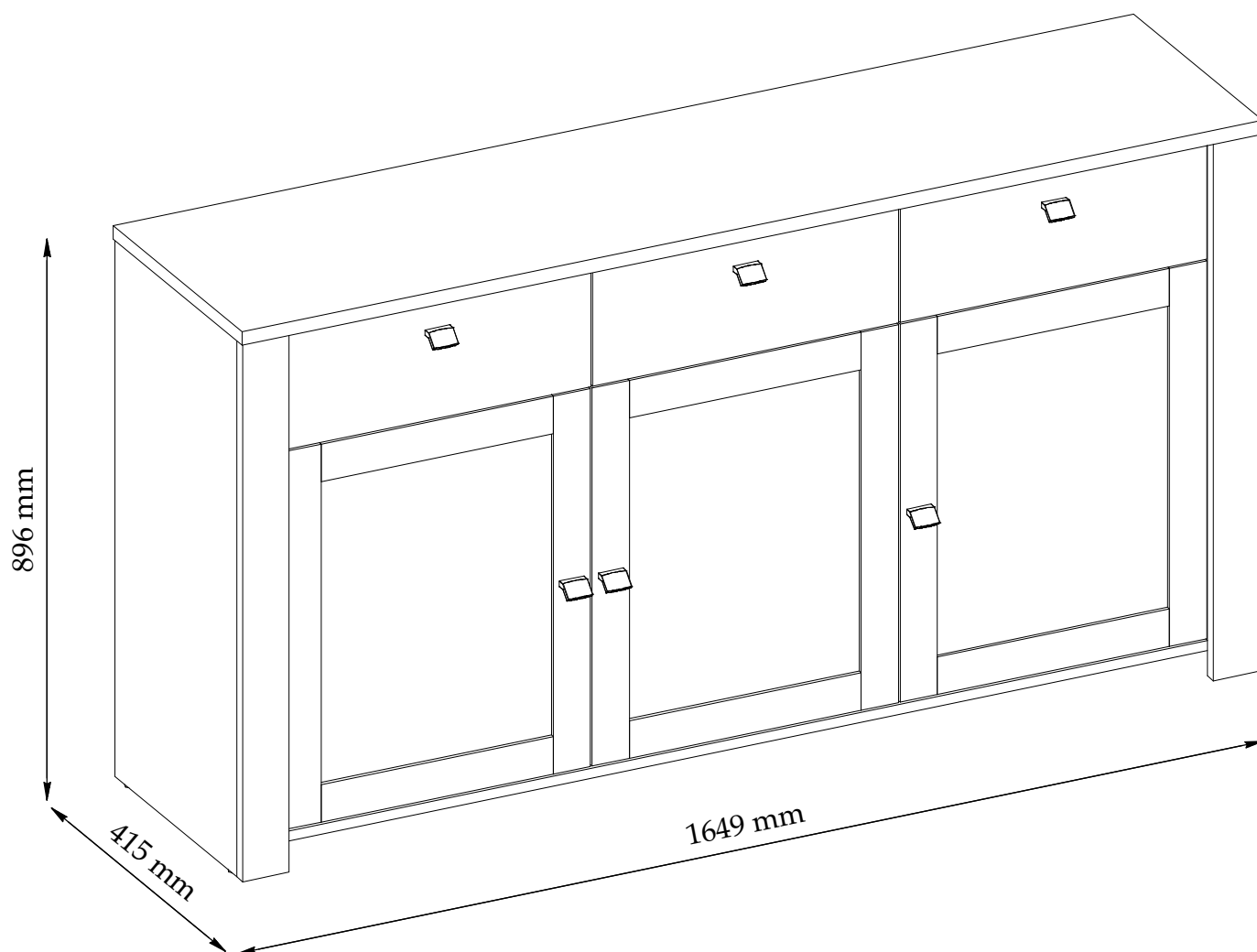
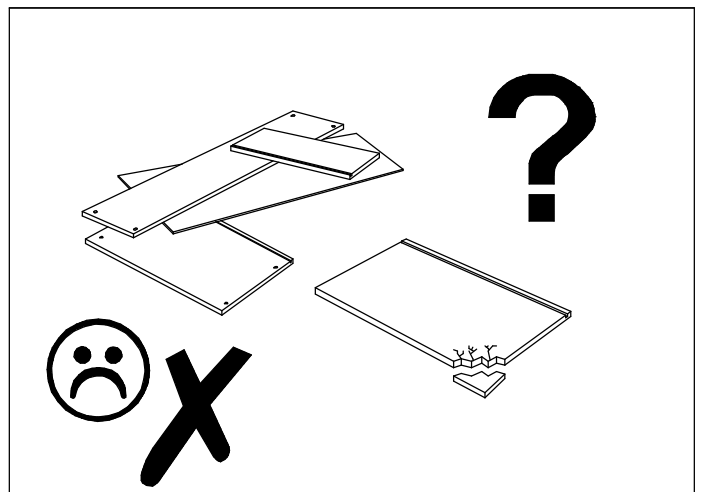
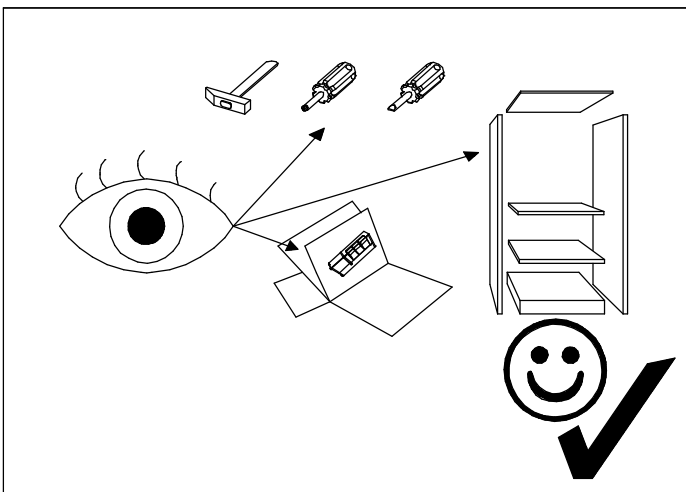
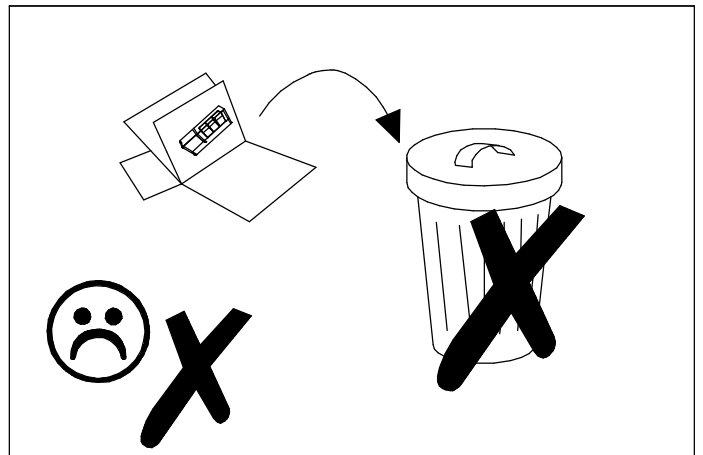
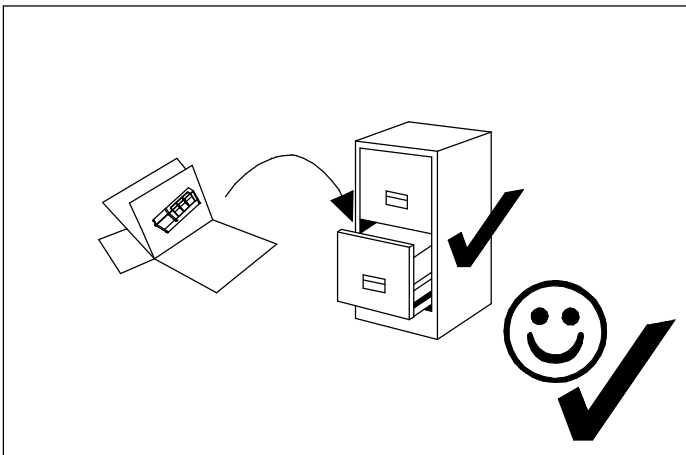
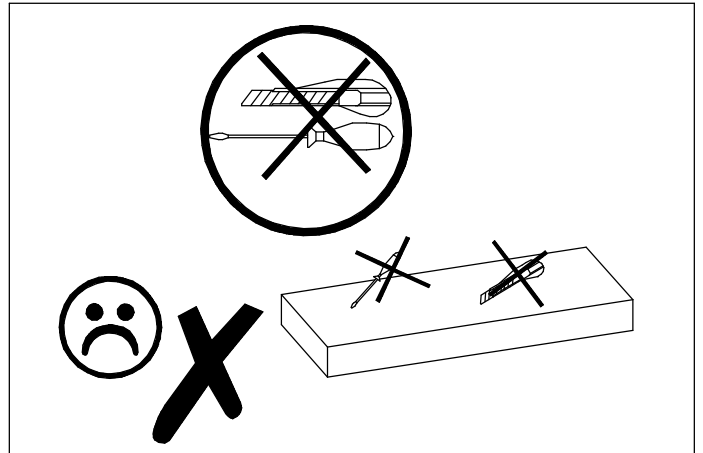
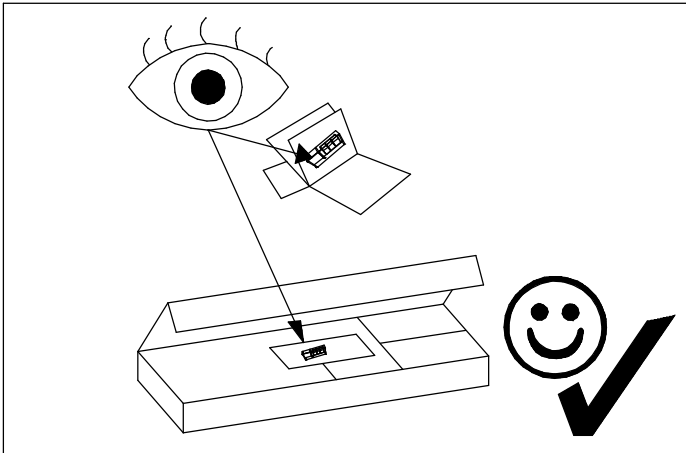


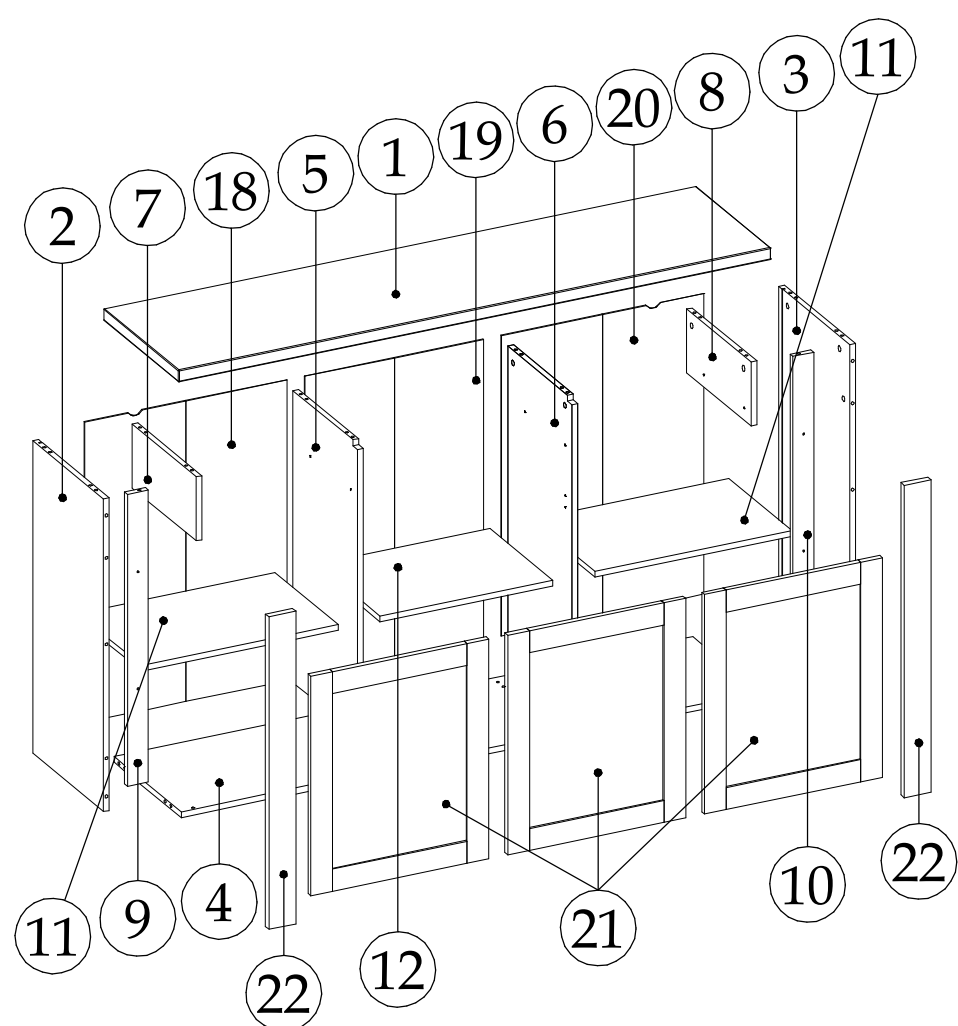
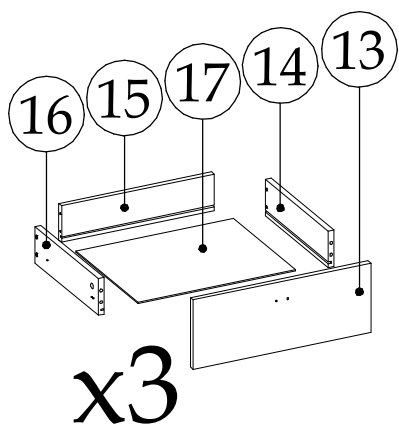
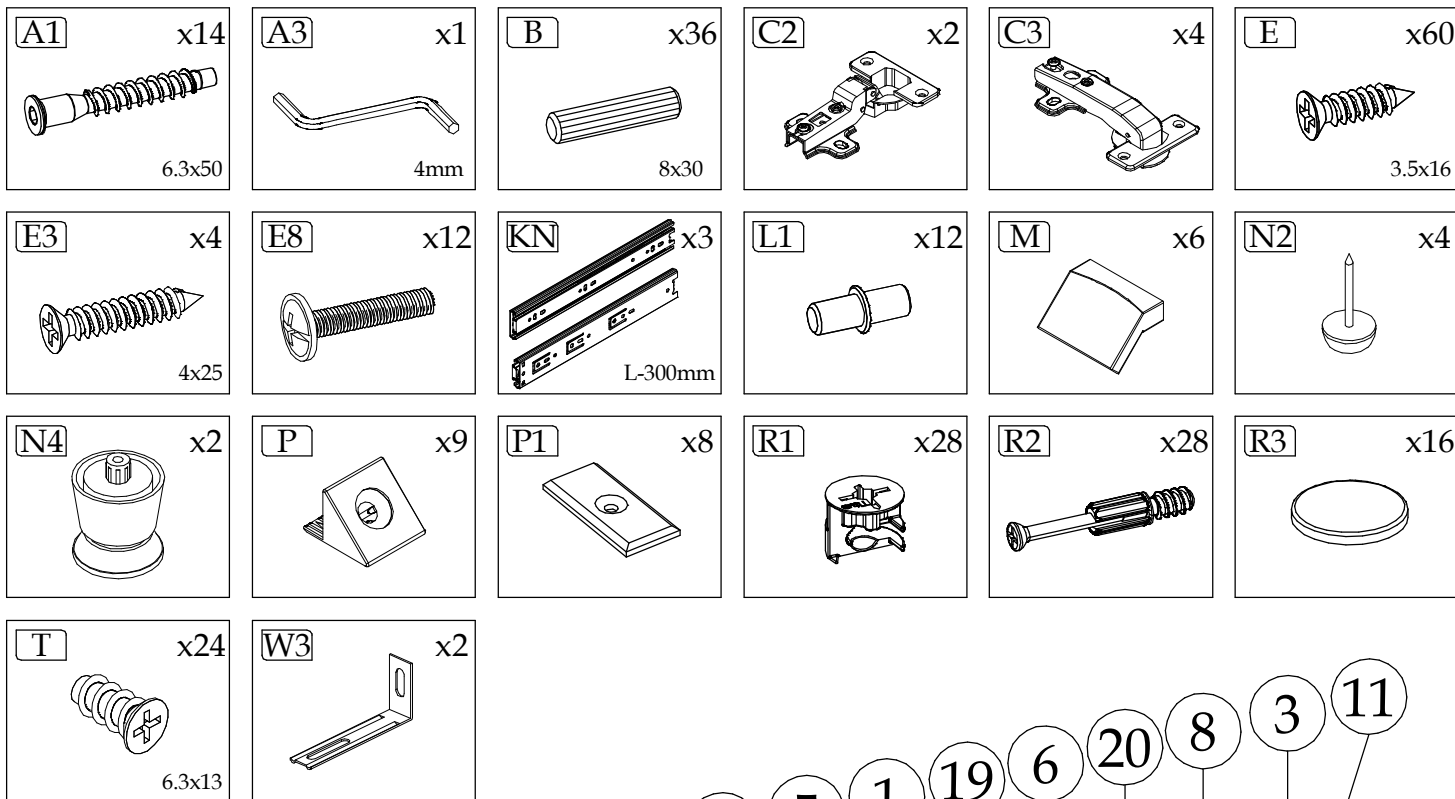
LATOUR E



110 min



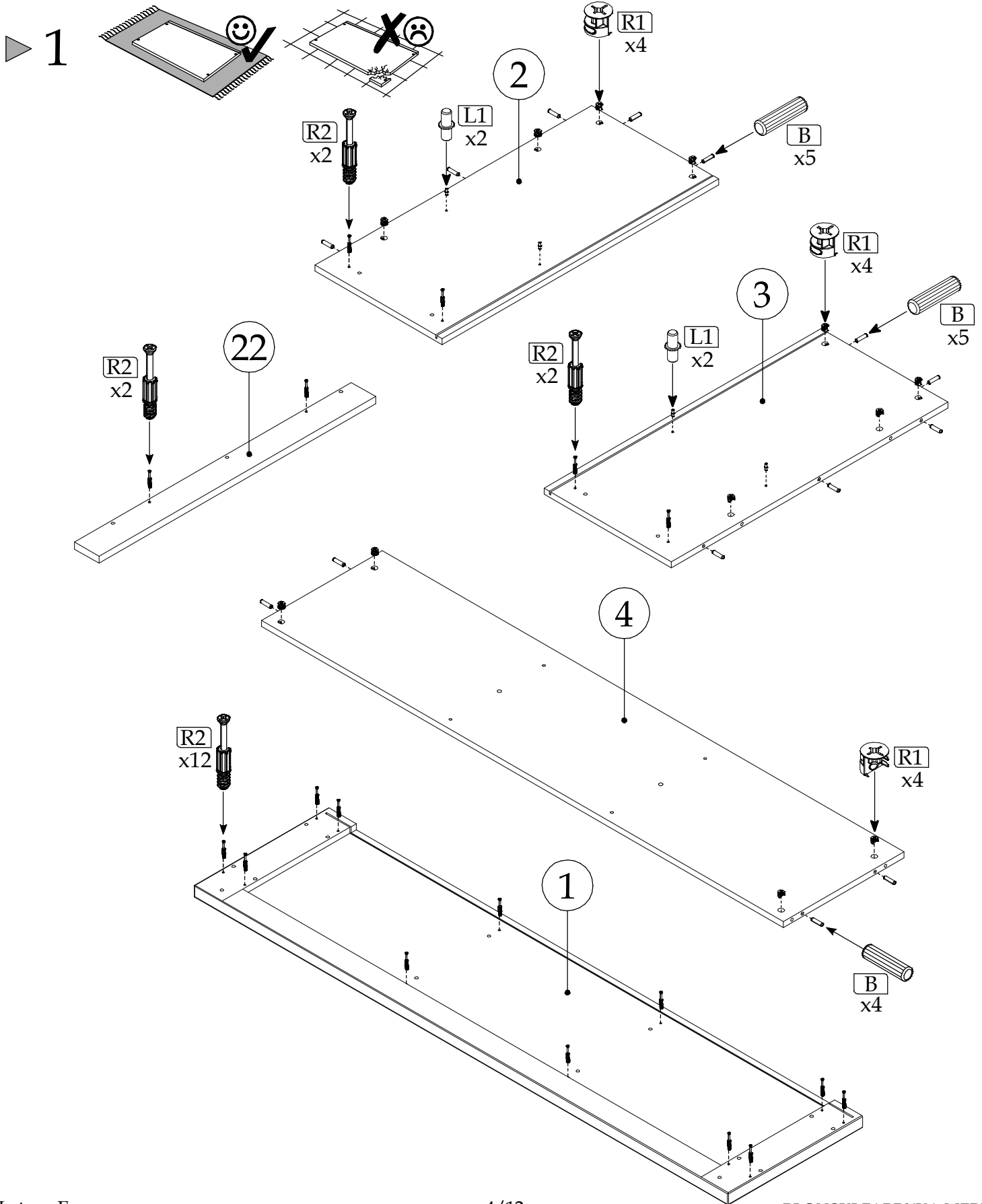
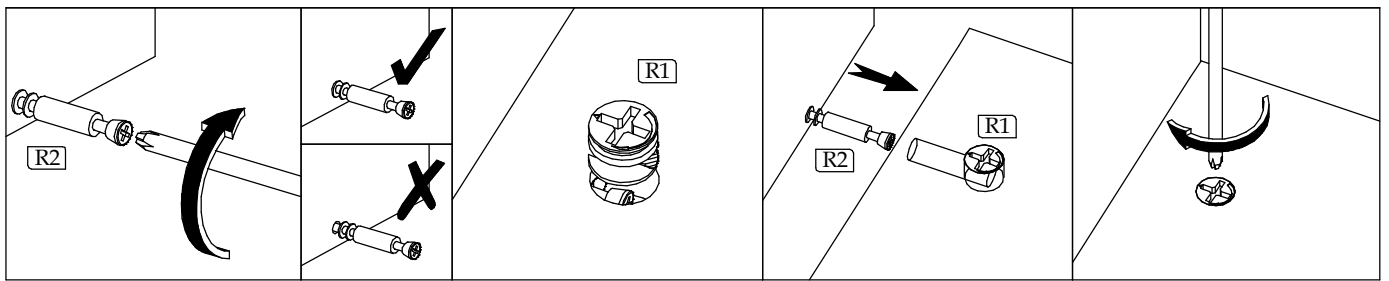




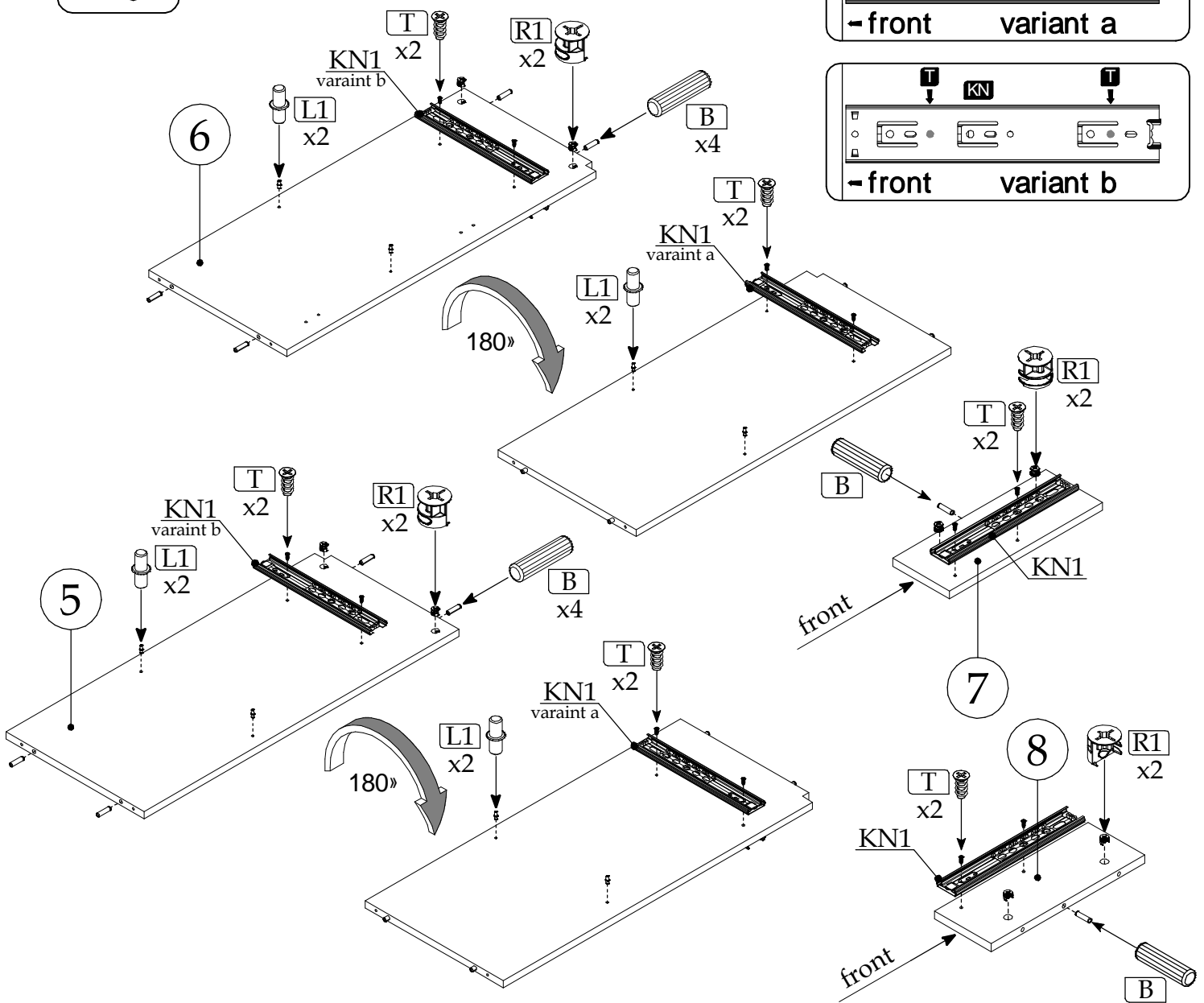
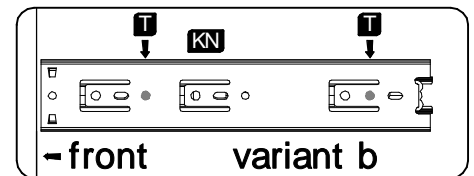
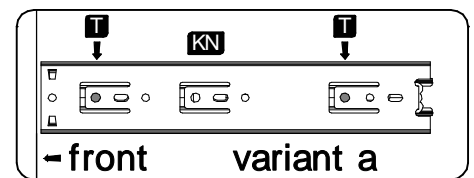
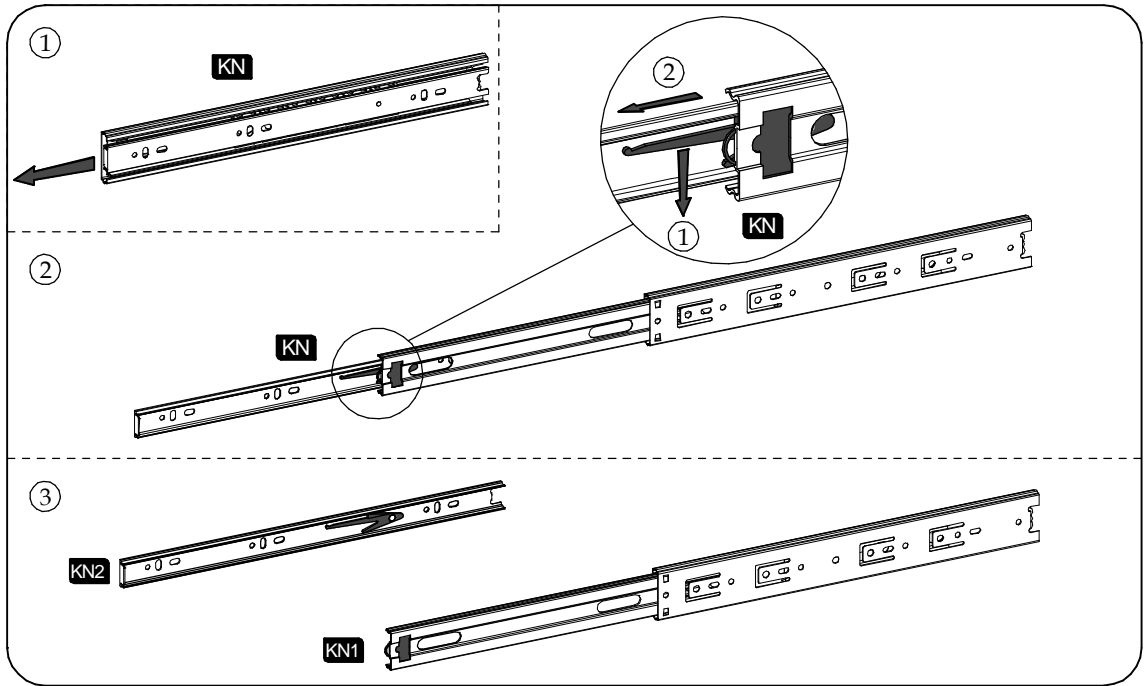
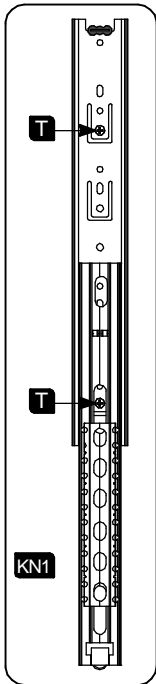
Element symbol	Measurements	Code	Paket
1	1649 415 32 1	1002	1/2
2	855 393 16 1	1003	1/2
3	855 393 16 1	1004	1/2
4	1611 373 16 1	1005	1/2
5	814 356.5 16 1	1007	1/2
6	814 356.5 16 1	1008	1/2
7	175 356.5 16 1	1009	1/2

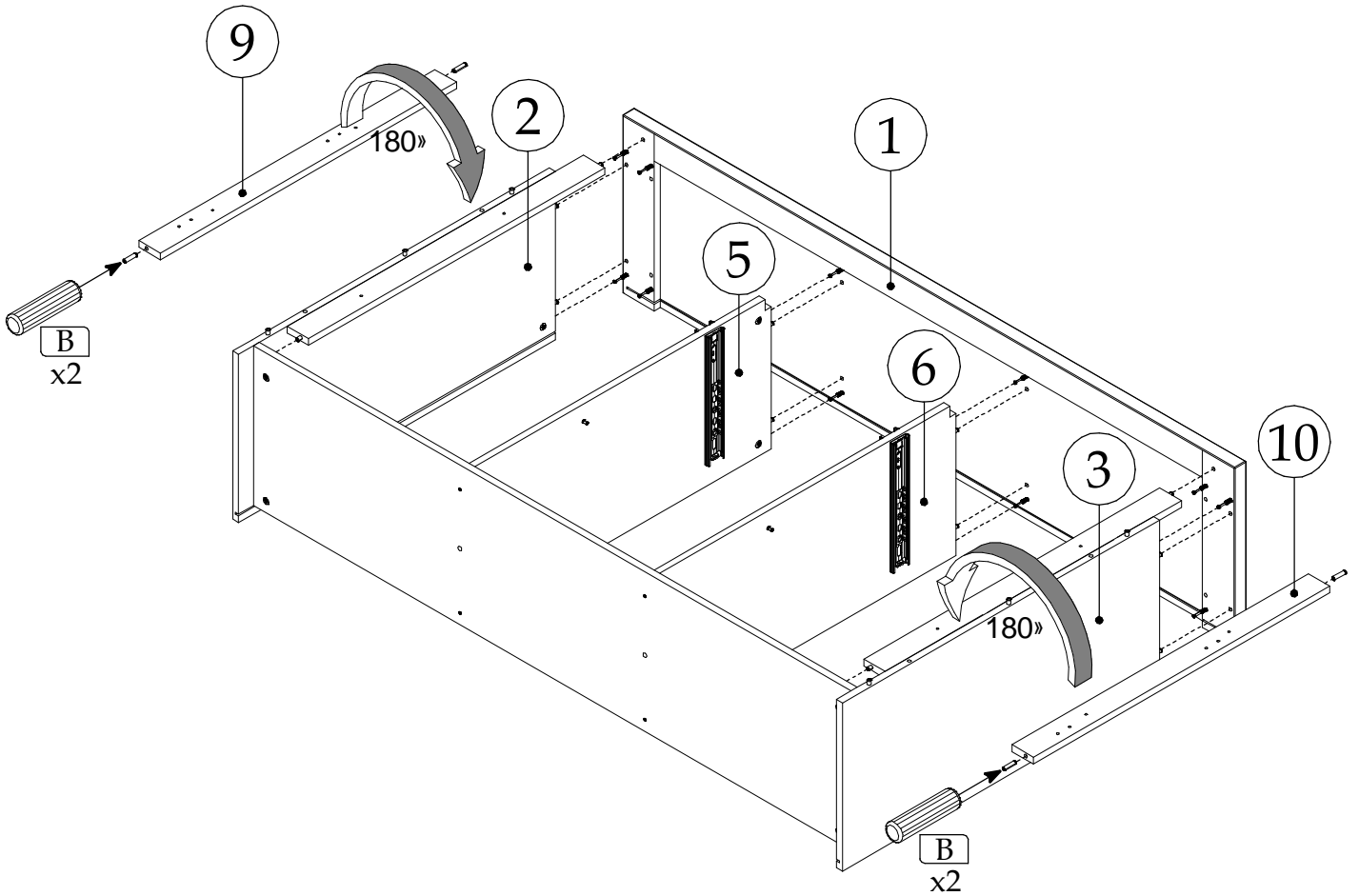
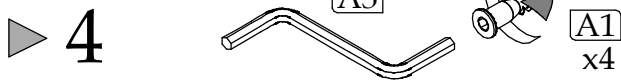
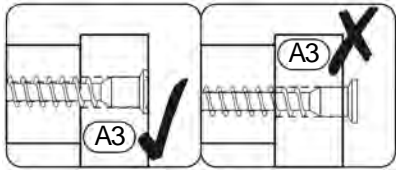
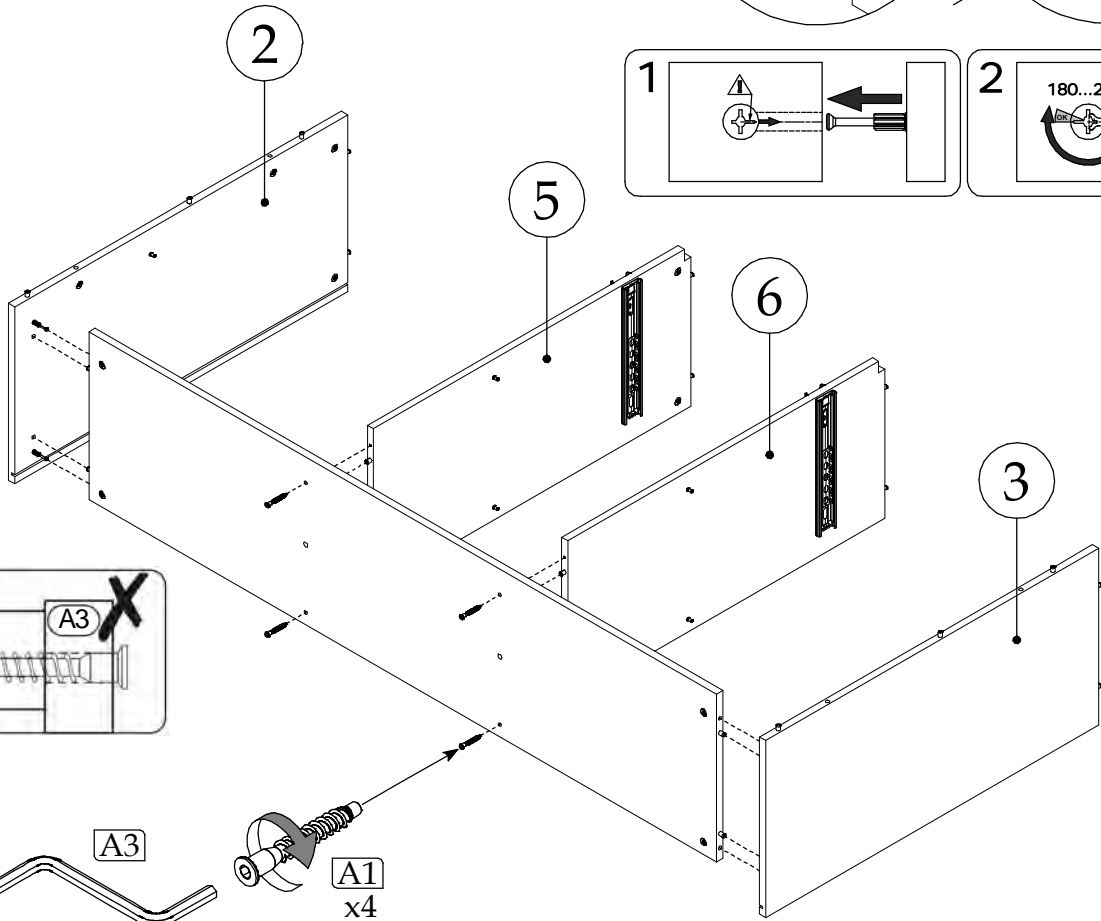
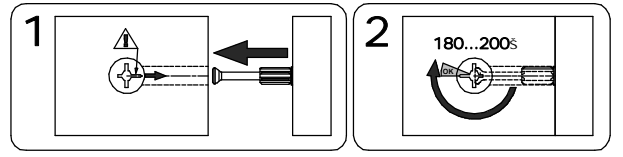
8	175	356.5	16	1	1020	1/2
9	798	58	16	1	1026	1/2
10	798	58	16	1	1029	1/2
11	548	350	16	2		1/2
12	482	350	16	1		2/2
13	495	190	16	3	1010	2/2
14	350	100	16	3	1011	1/2
15	424.5	100	16	3	1012	1/2

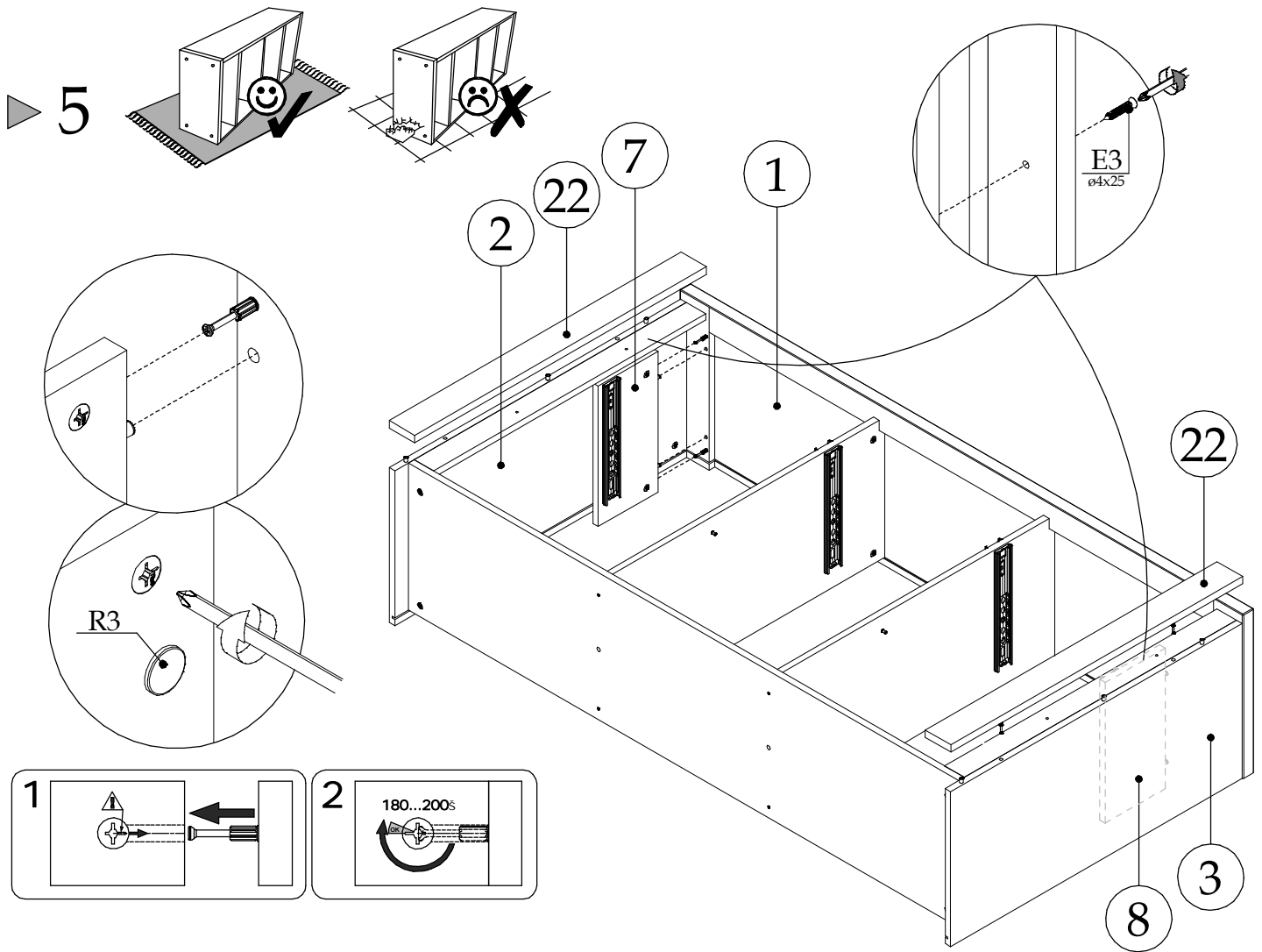
16	350	100	16	3	1013	1/2
17	438.5	346	3	3		2/2
18	837	564	3	1		1/2
19	837	498	3	1		1/2
20	837	564	3	1		1/2
21	600	495	16	3		2/2
22	855	75	19	2		1/2



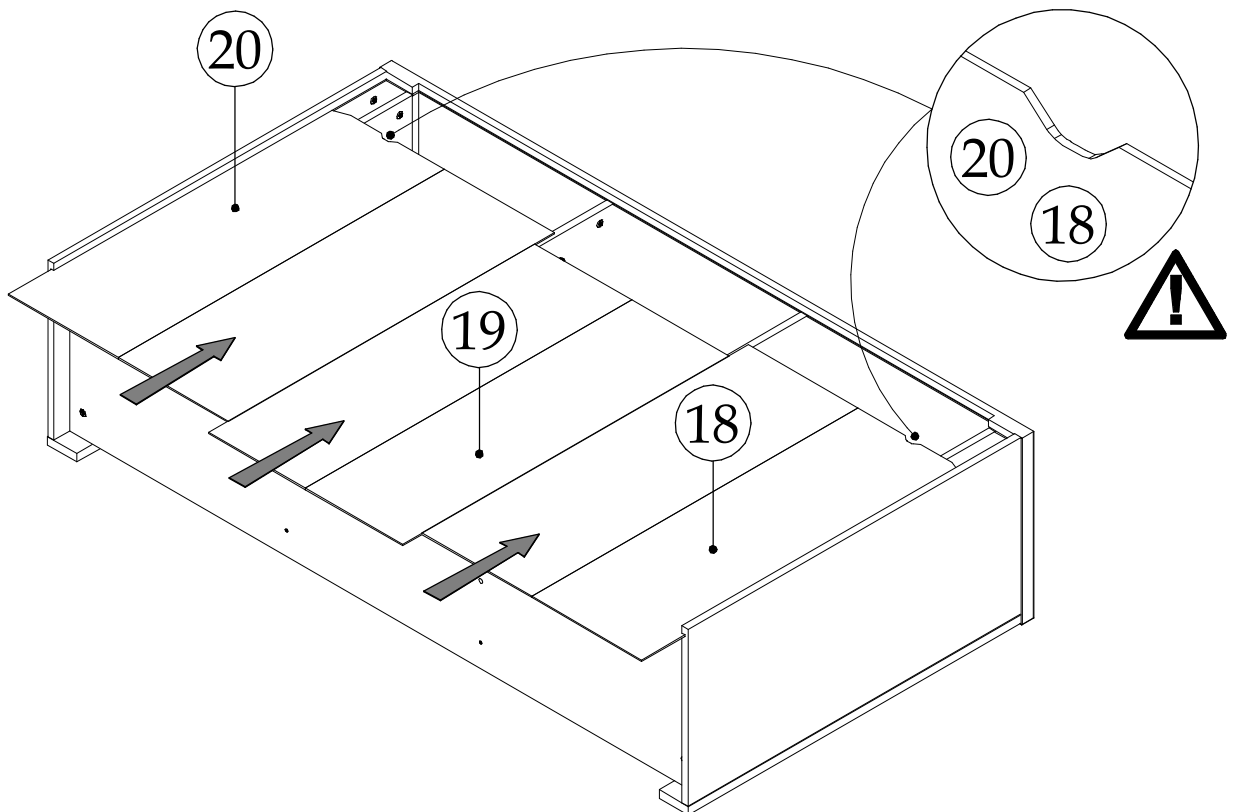
2



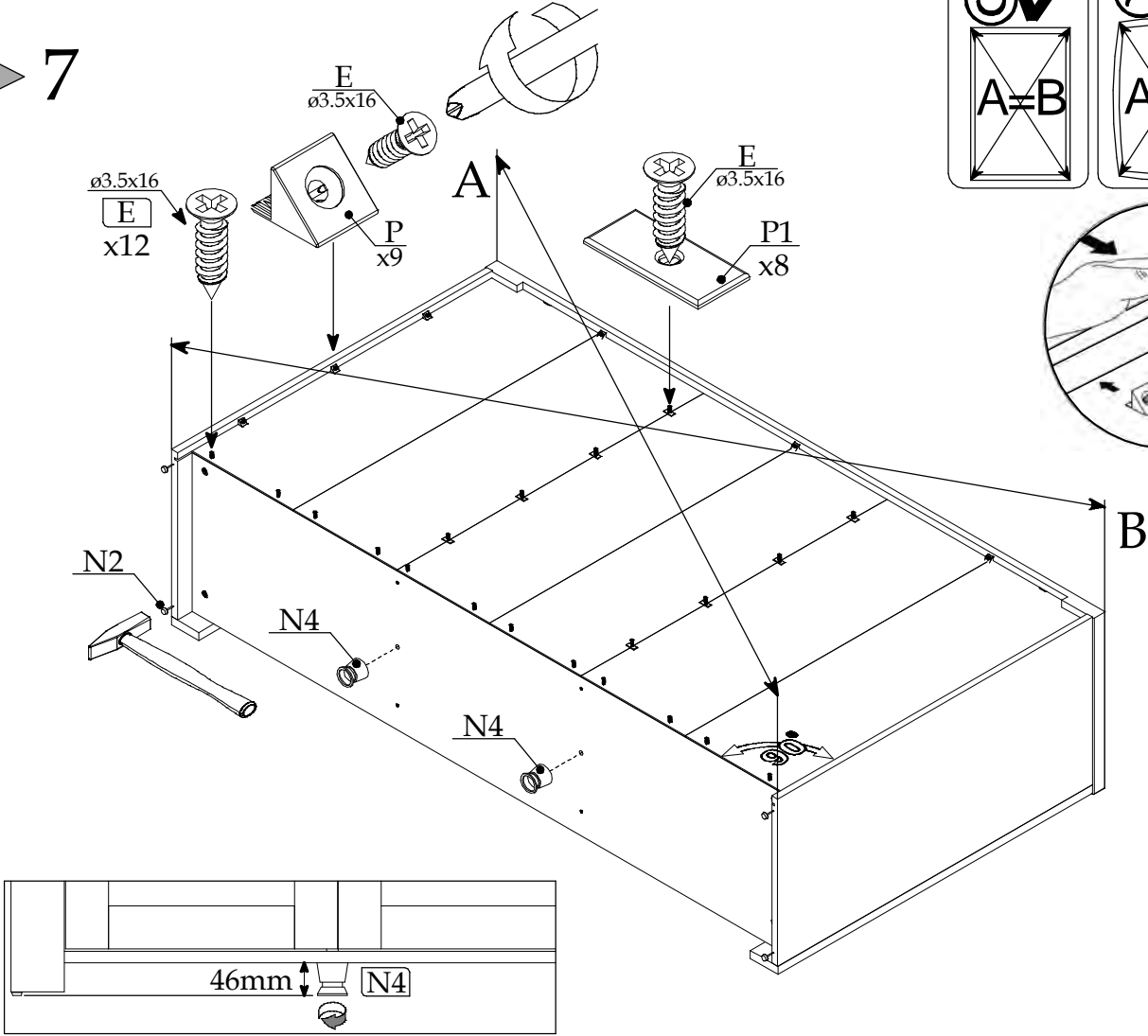
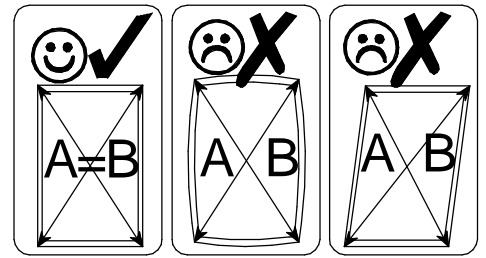




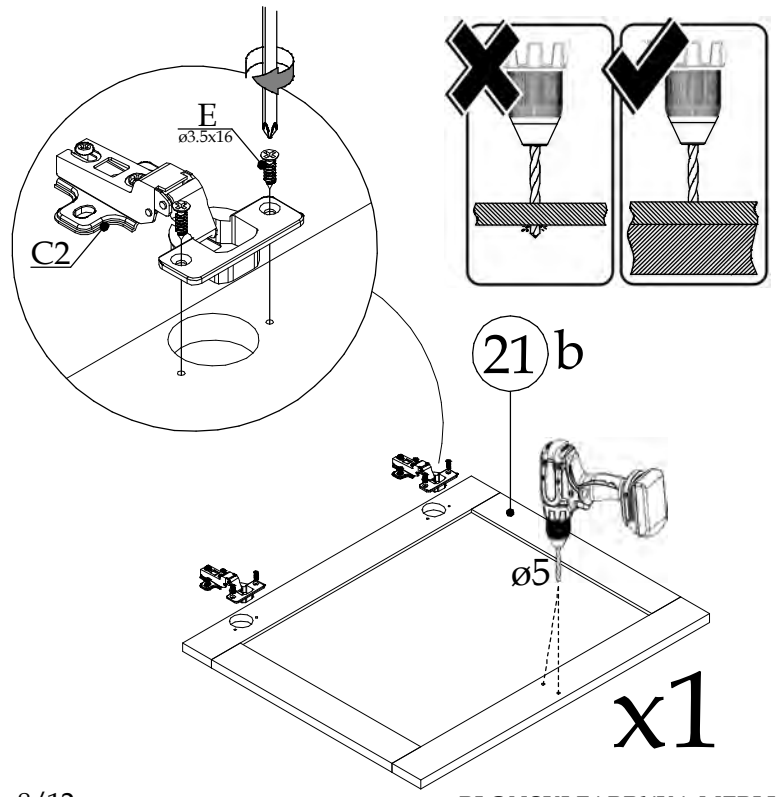
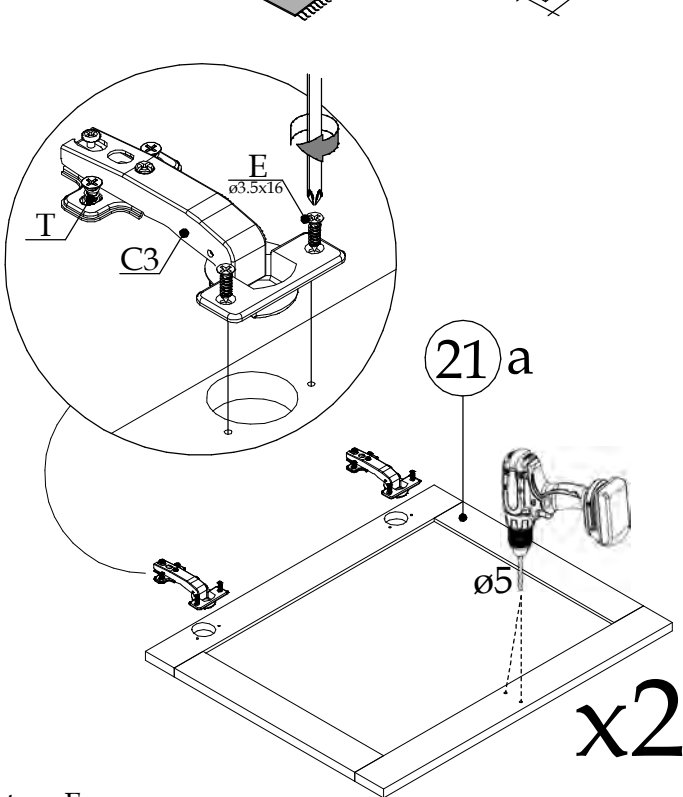
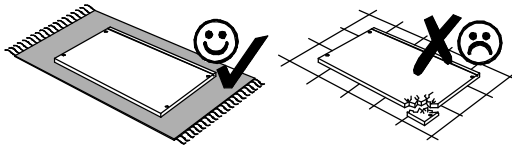
▶ 6



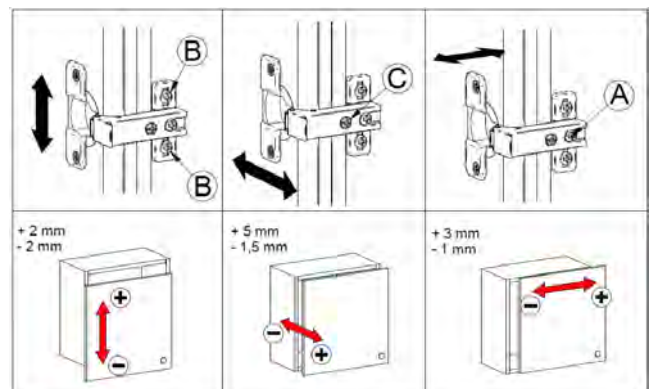
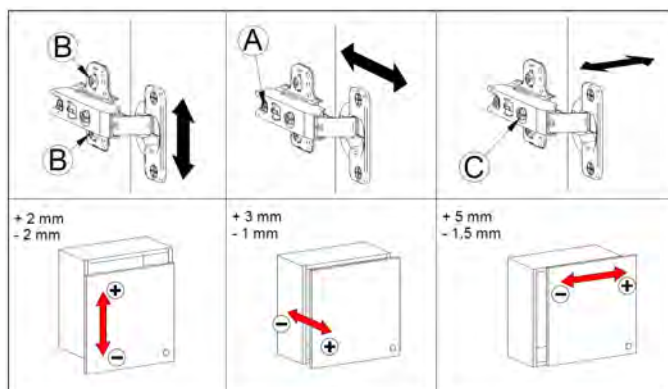
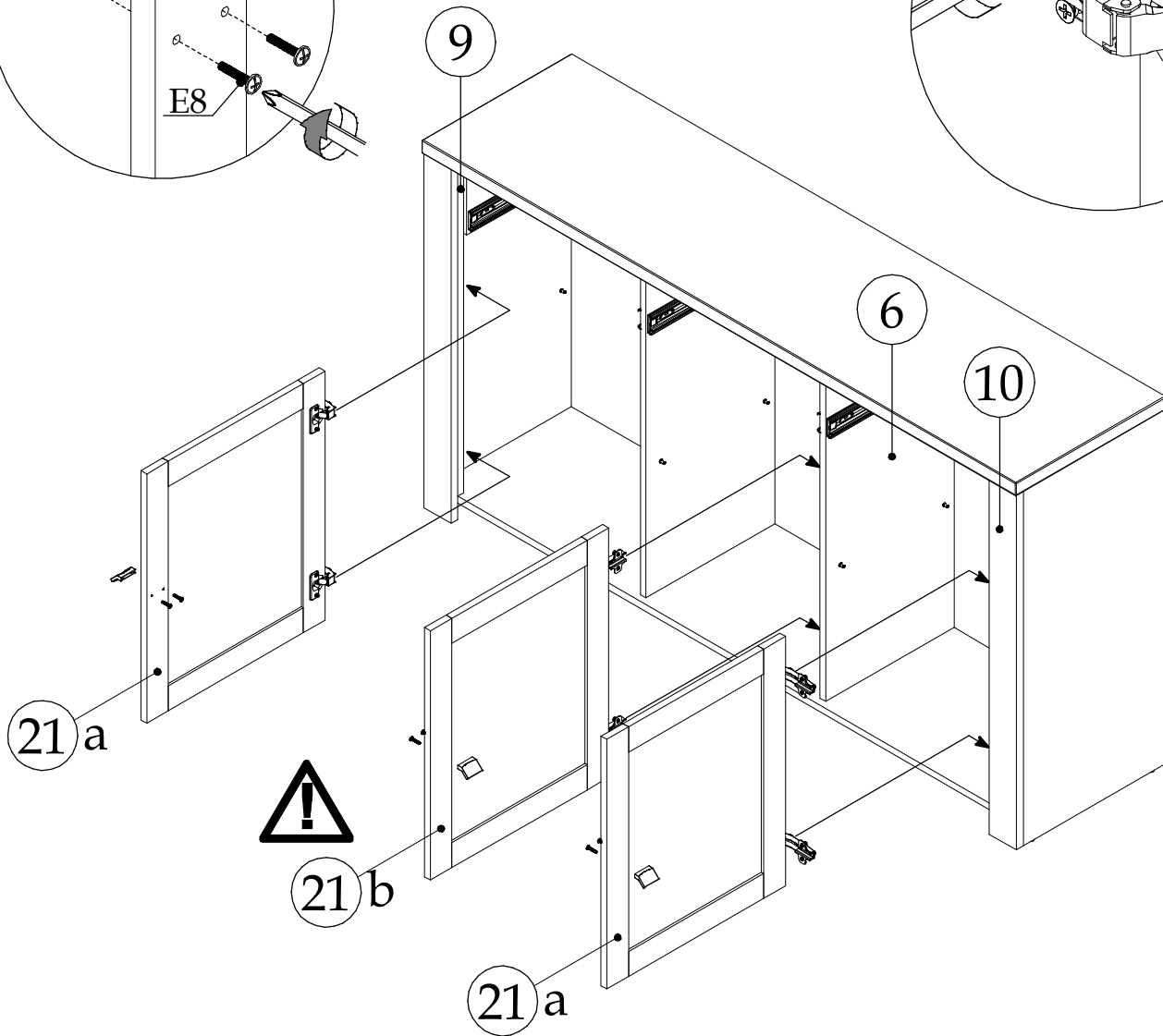
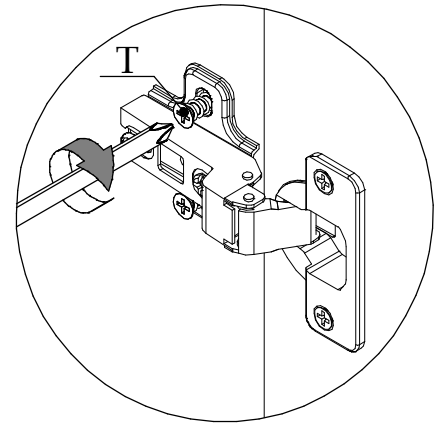
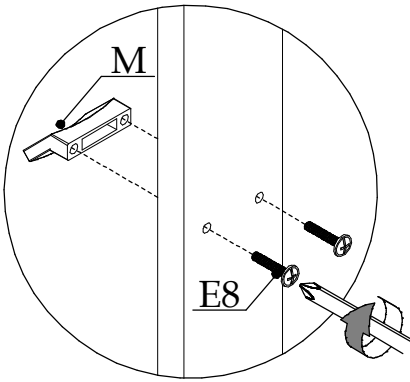
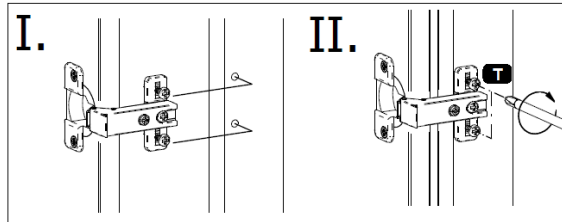
▶ 7

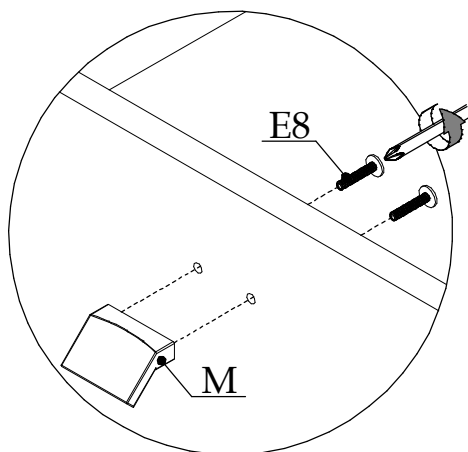
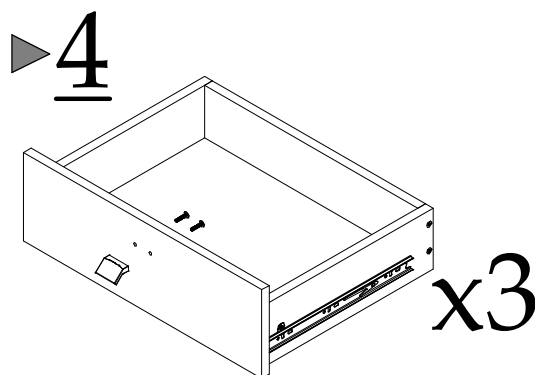
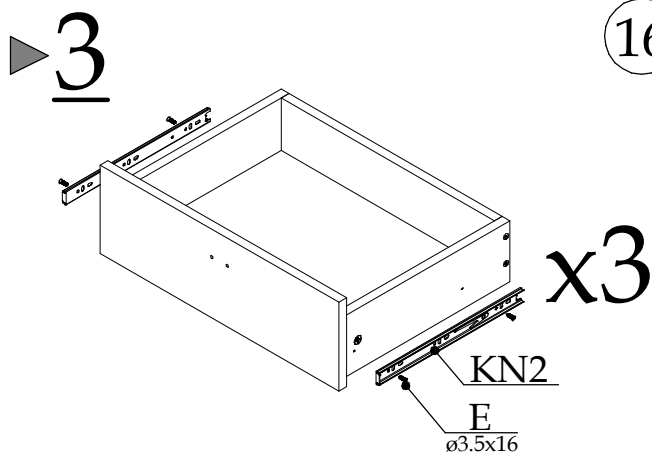
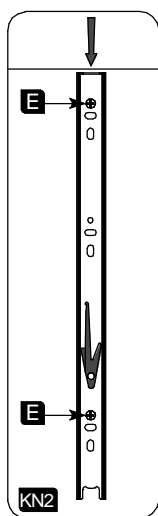
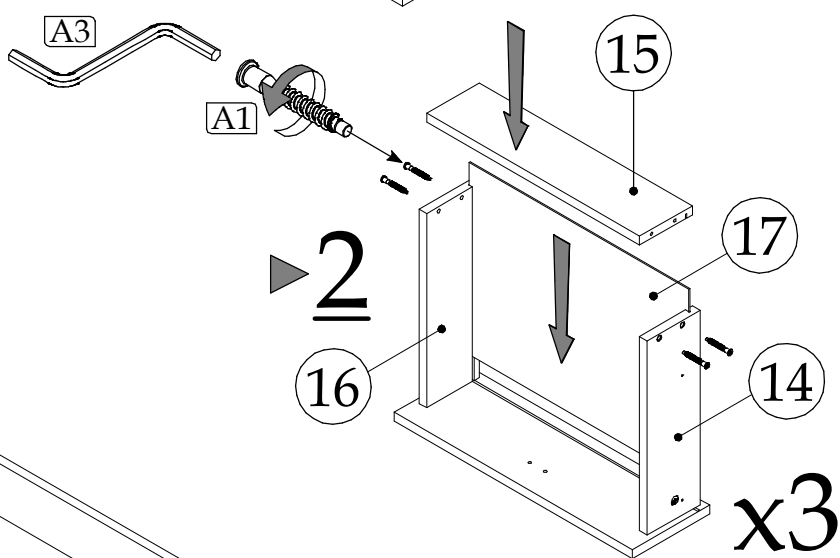
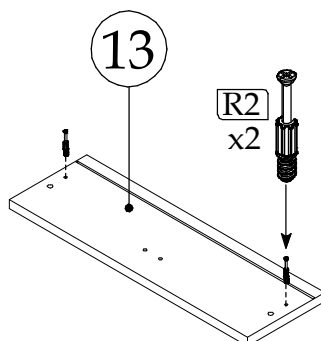
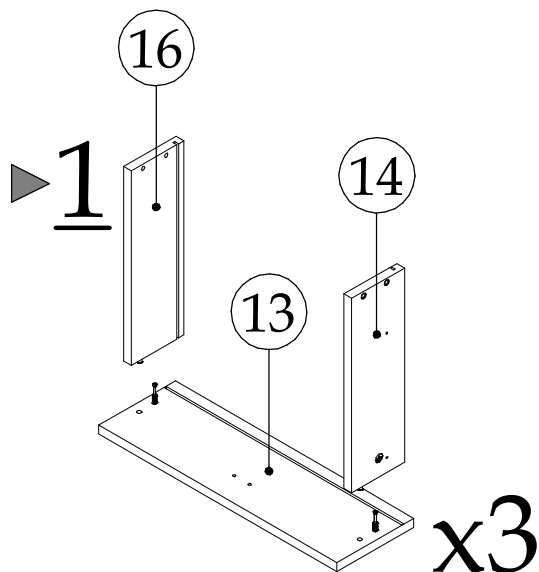
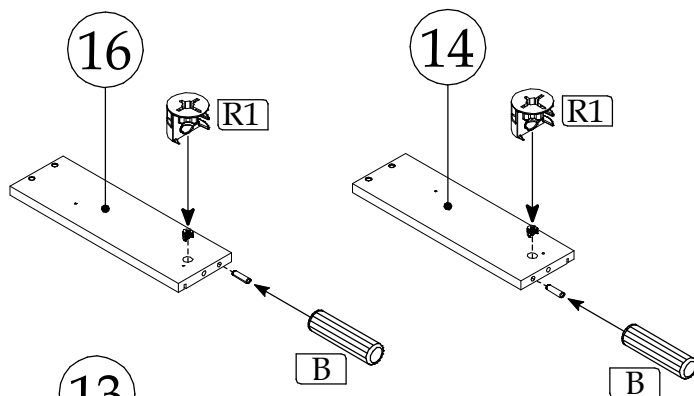
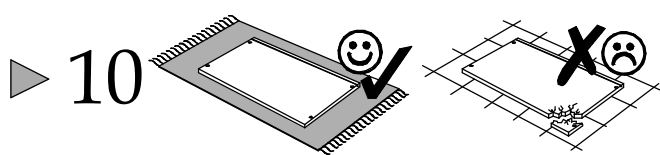


▶ 8

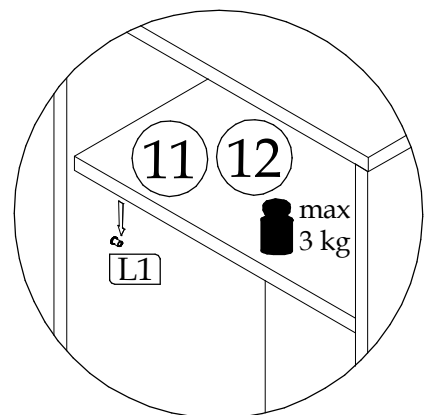
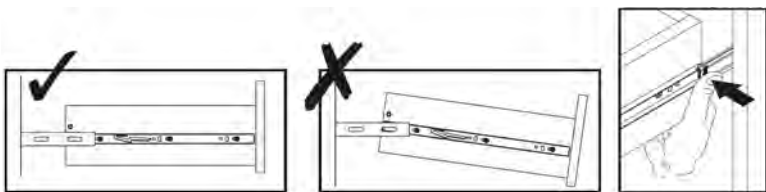
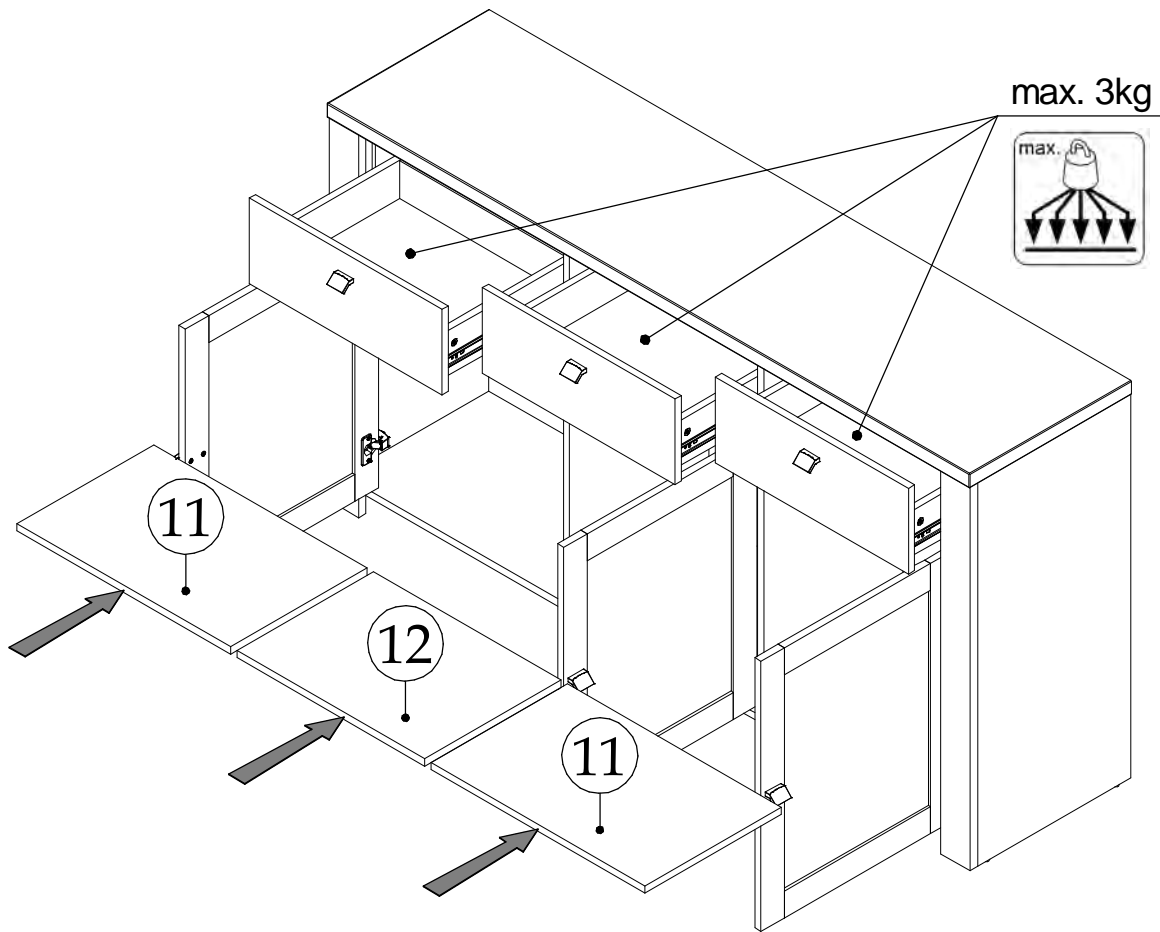


► 9





► 11



▶ 12

