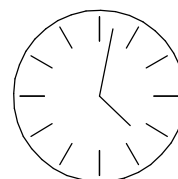
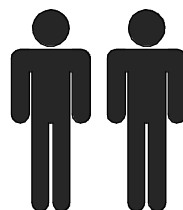
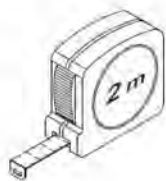
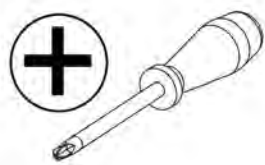
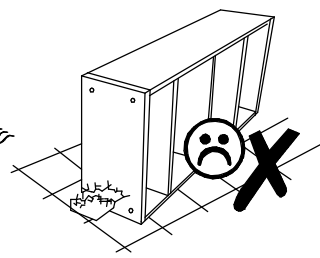
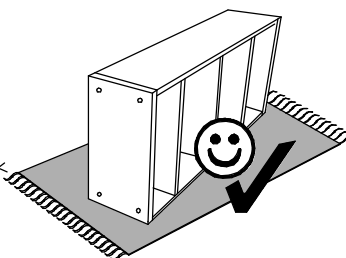
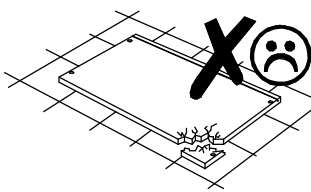
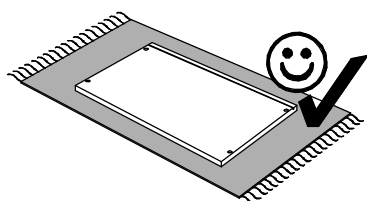
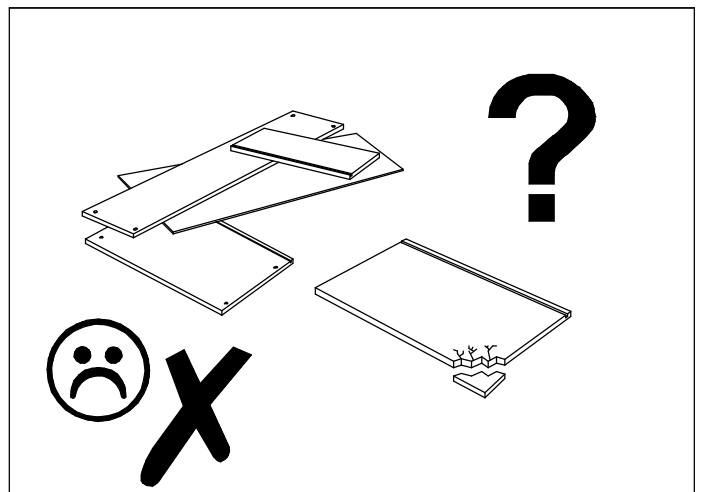
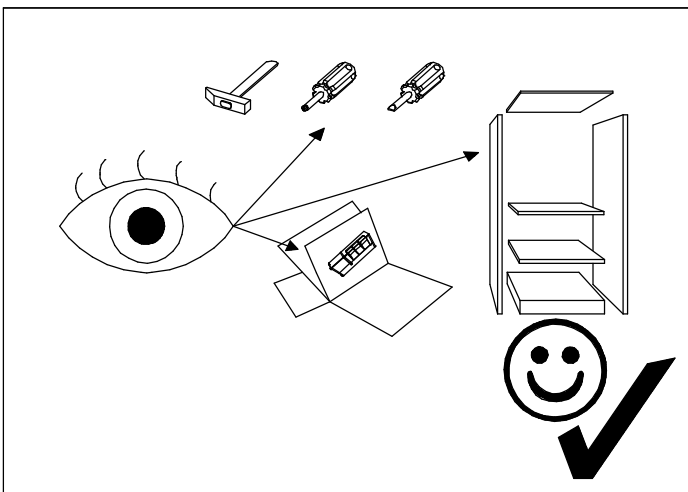
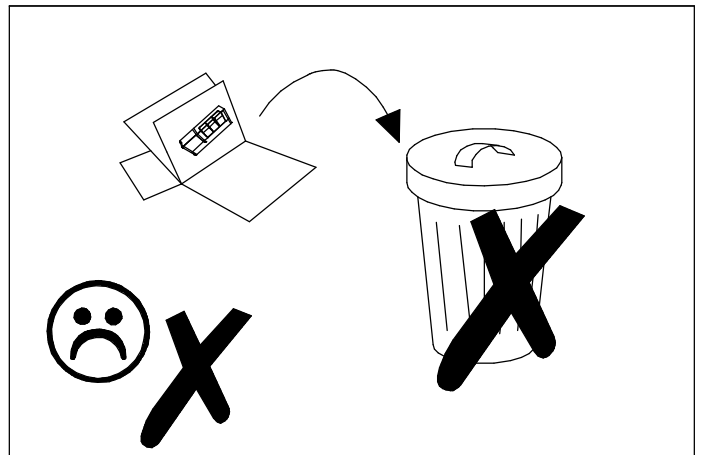
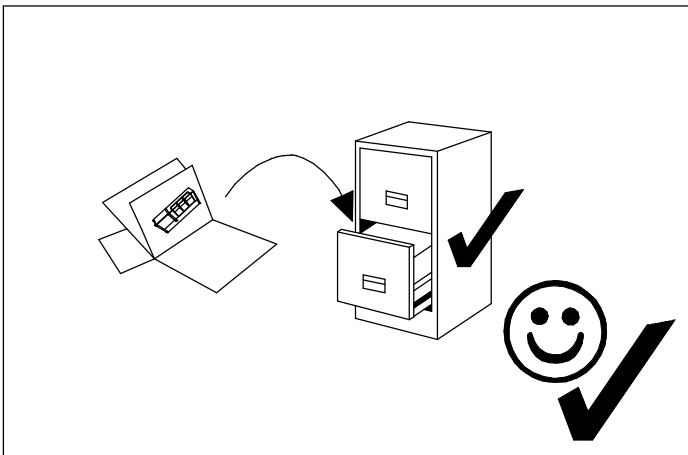
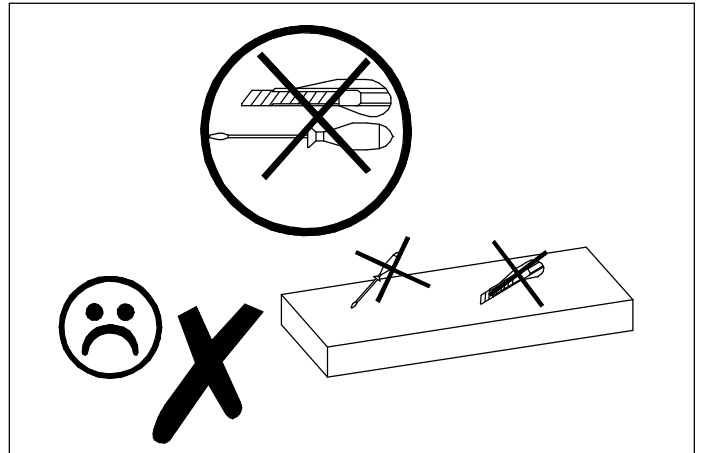
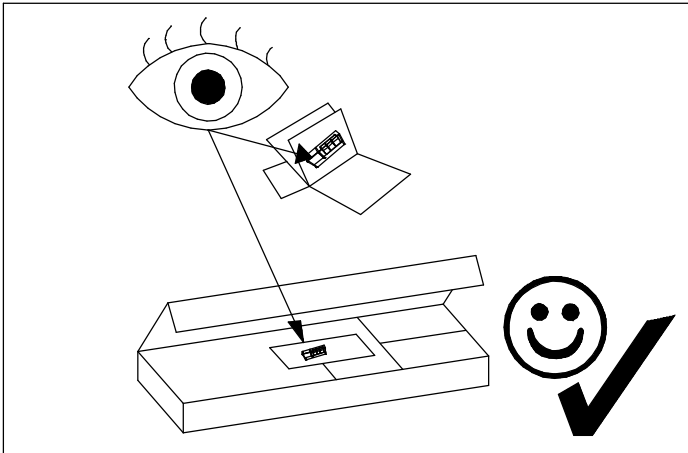


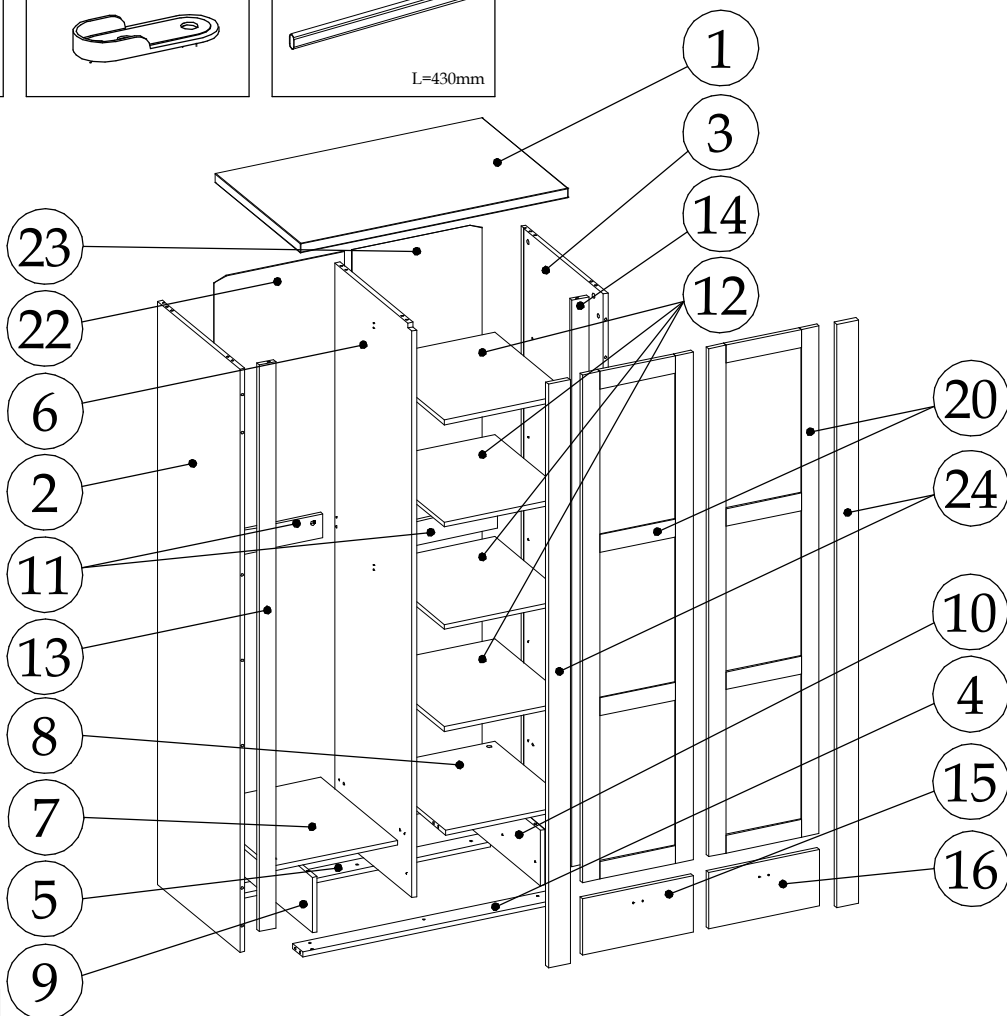
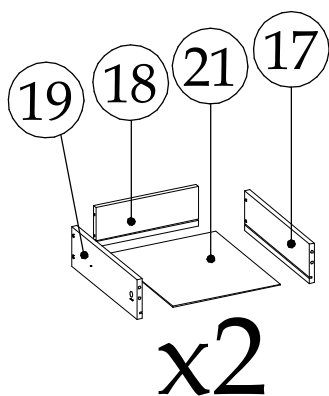
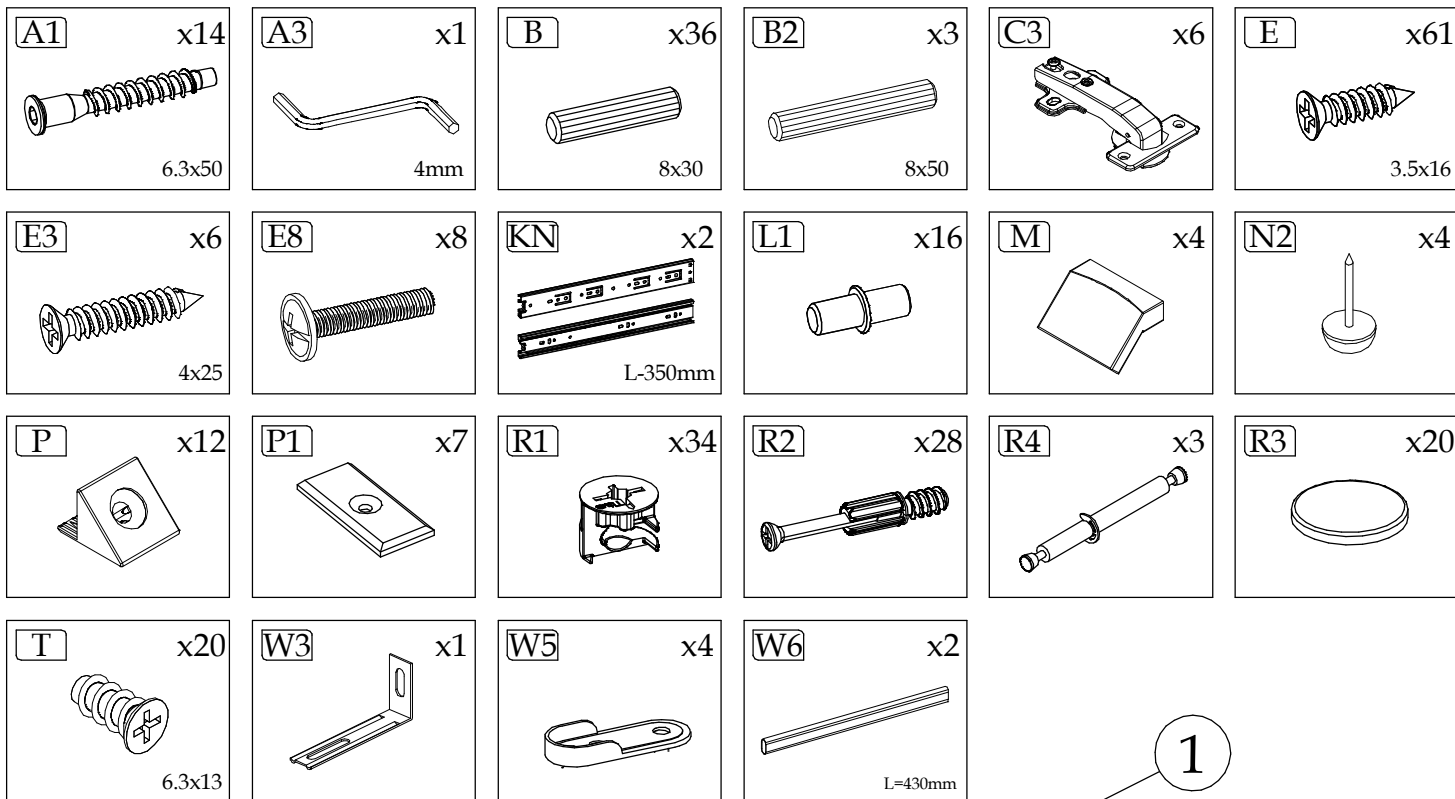
# LATOUR F



110 min







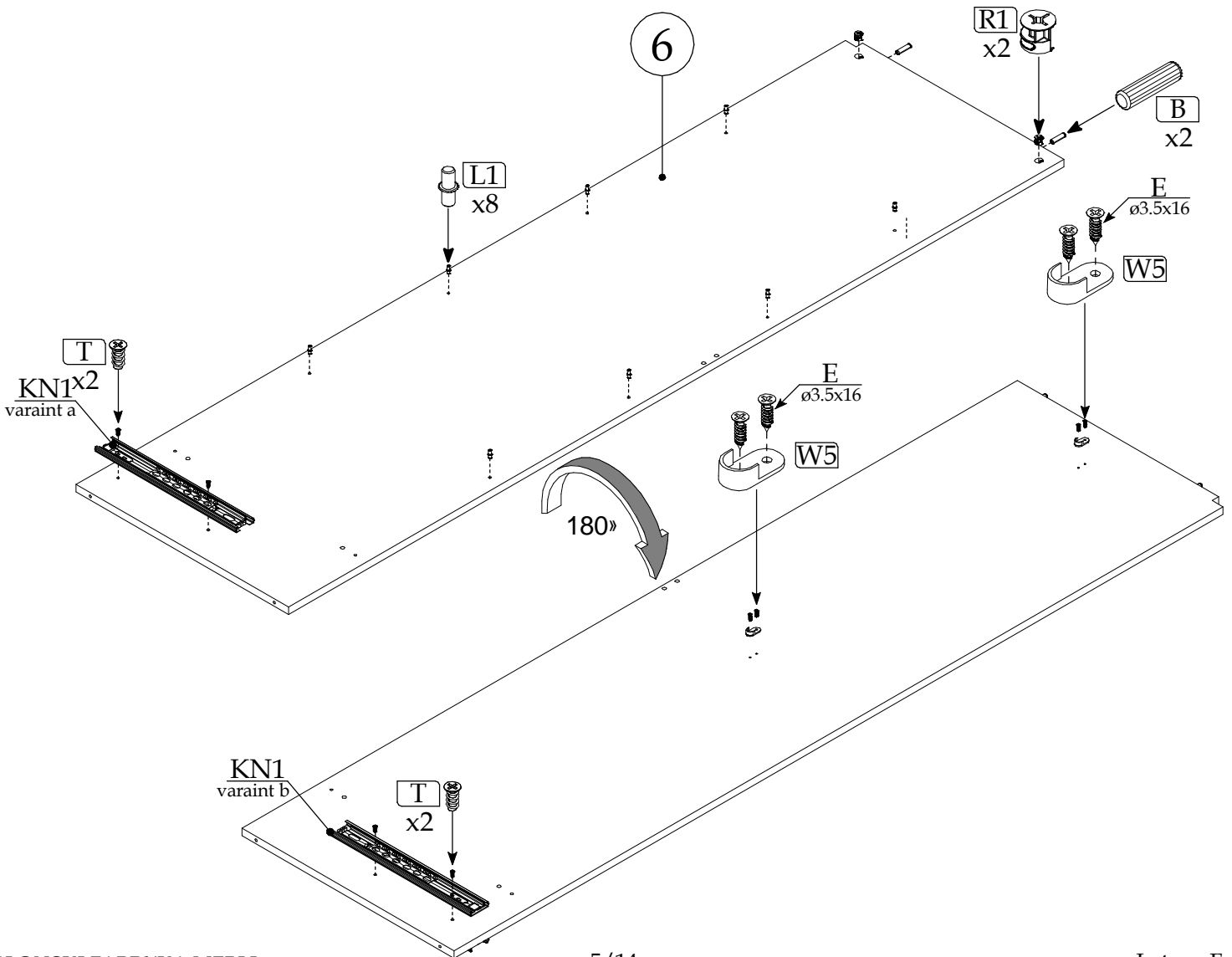
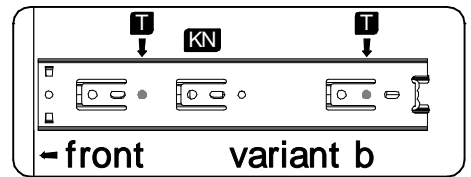
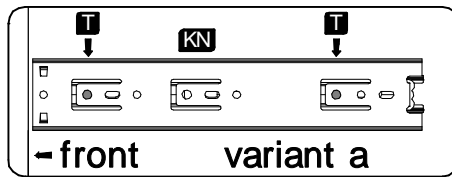
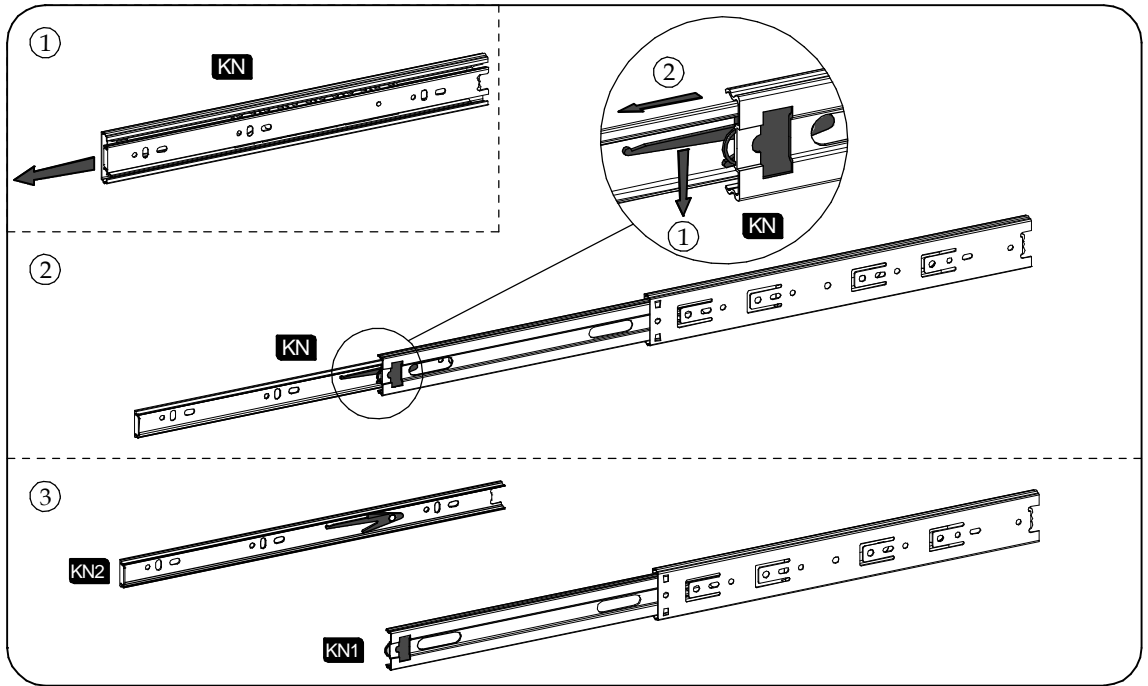
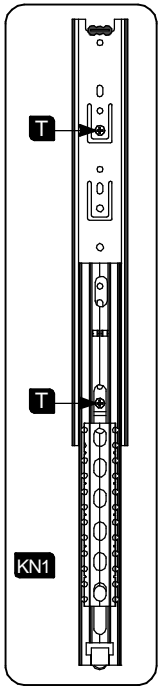
Element symbol	Measurements				Code	Paket
1	921	585	32	1	1002	2/2
2	1968	563	16	1	1003	1/2
3	1968	563	16	1	1004	1/2
4	883	70	16	1	1005	2/2
5	883	70	16	1	1032	2/2
6	1927	527	16	1	1007	1/2
7	433.5	526.5	16	1	1009	2/2
8	433.5	526.5	16	1	1015	2/2

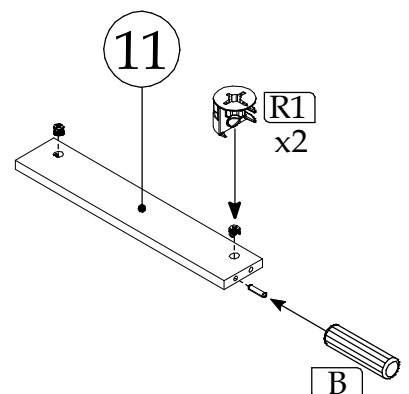
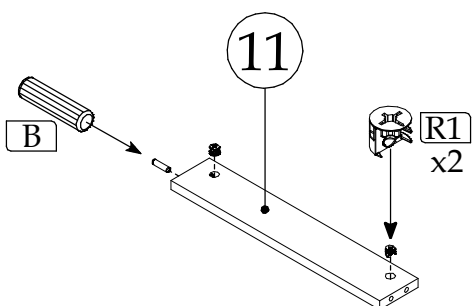
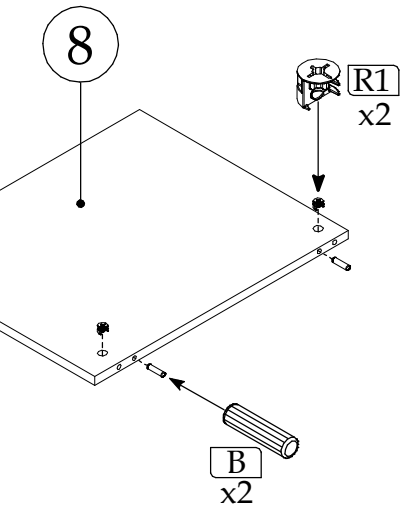
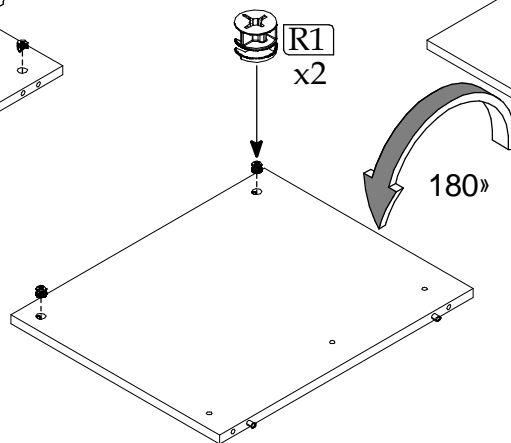
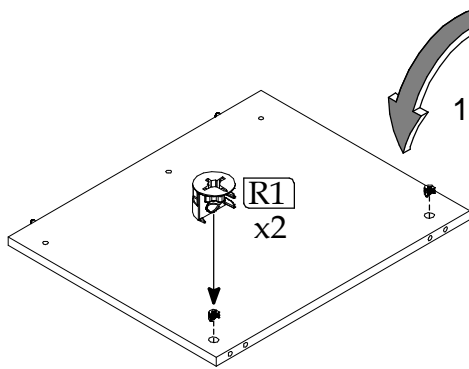
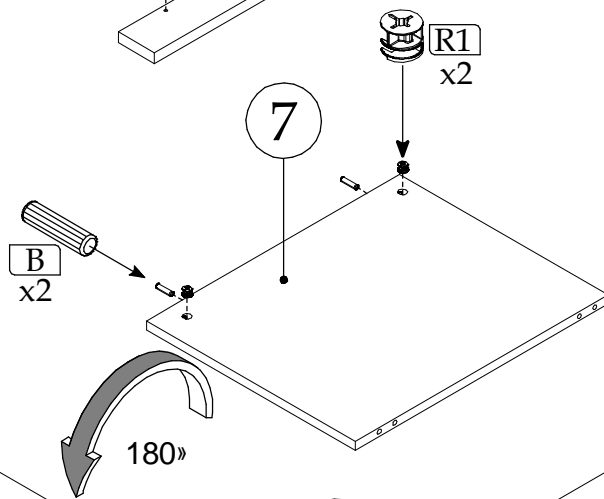
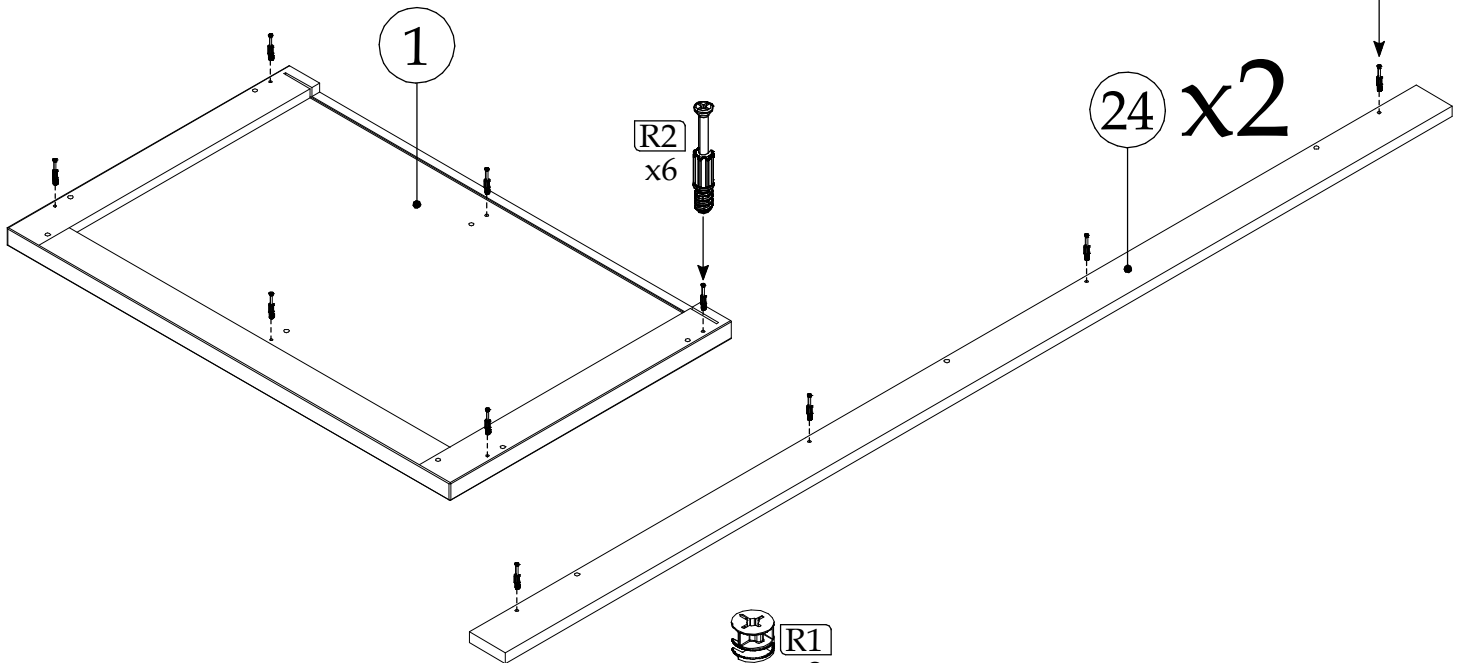
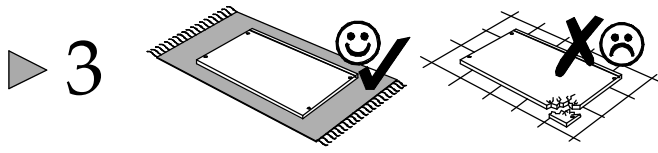
9	186.5	526.5	16	1	1010	2/2
10	186.5	526.5	16	1	1025	2/2
11	433.5	80	16	2	1033	2/2
12	433	515	16	4		2/2
13	1911	58	16	1	1038	1/2
14	1911	58	16	1	1041	1/2
15	380	190	16	1	1001	2/2
16	380	190	16	1	1026	2/2

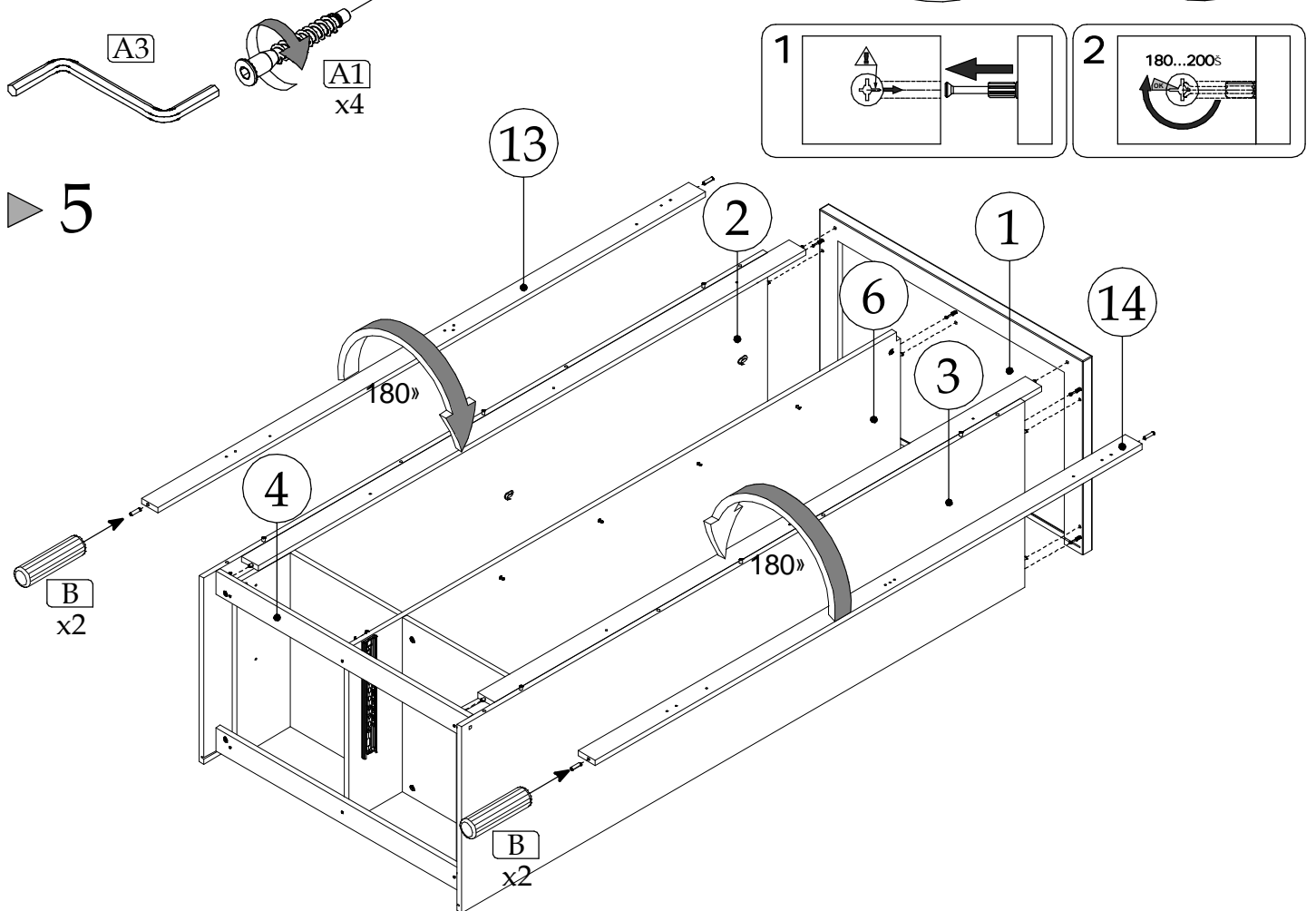
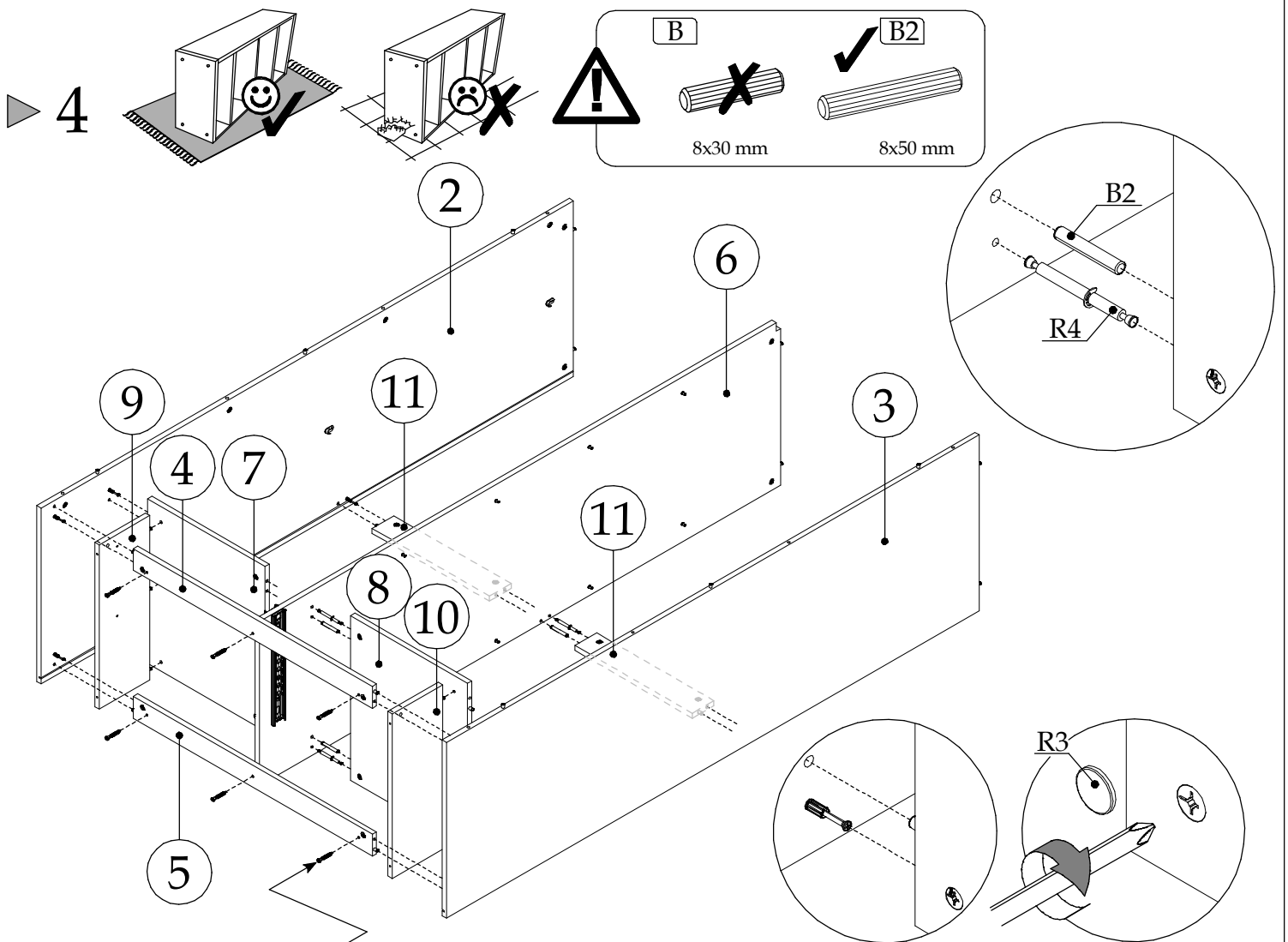
17	400	120	16	2	1011	1/2
18	315	120	16	2	1012	2/2
19	400	120	16	2	1013	1/2
20	1713	380	16	2		1/2
21	329	396	3	2		1/2
22	1950	448.5	3	1	1042	1/2
23	1950	448.5	3	1	1043	1/2
24	1968	75	19	2		1/2

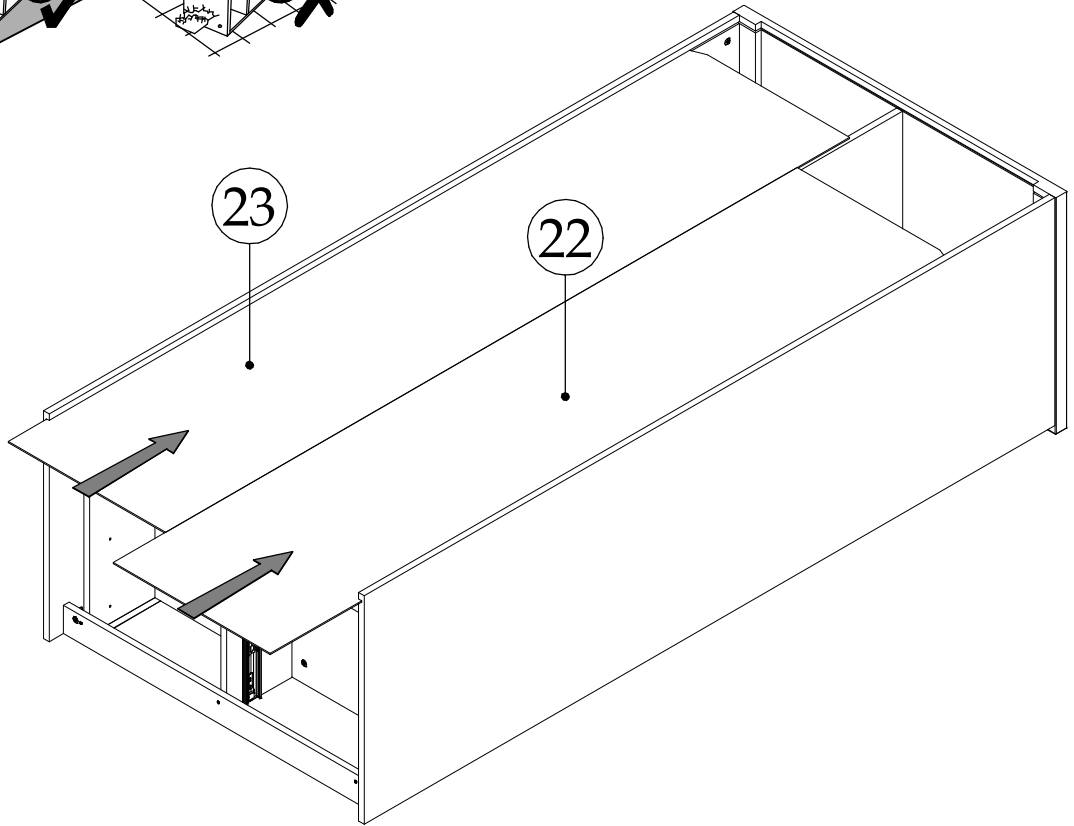
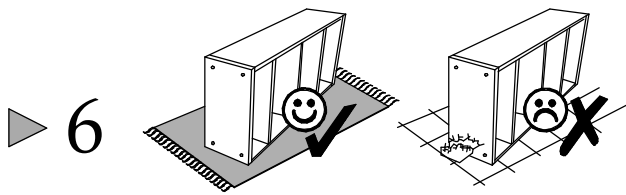


2

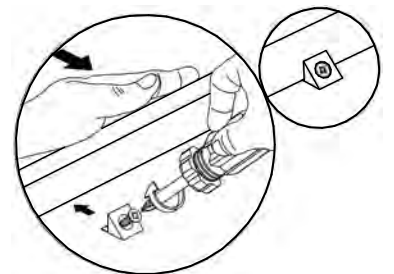
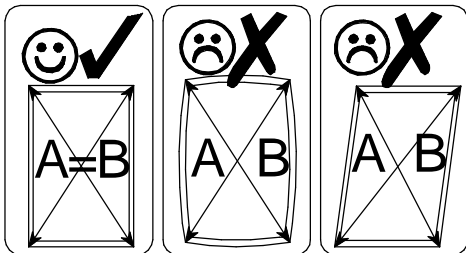
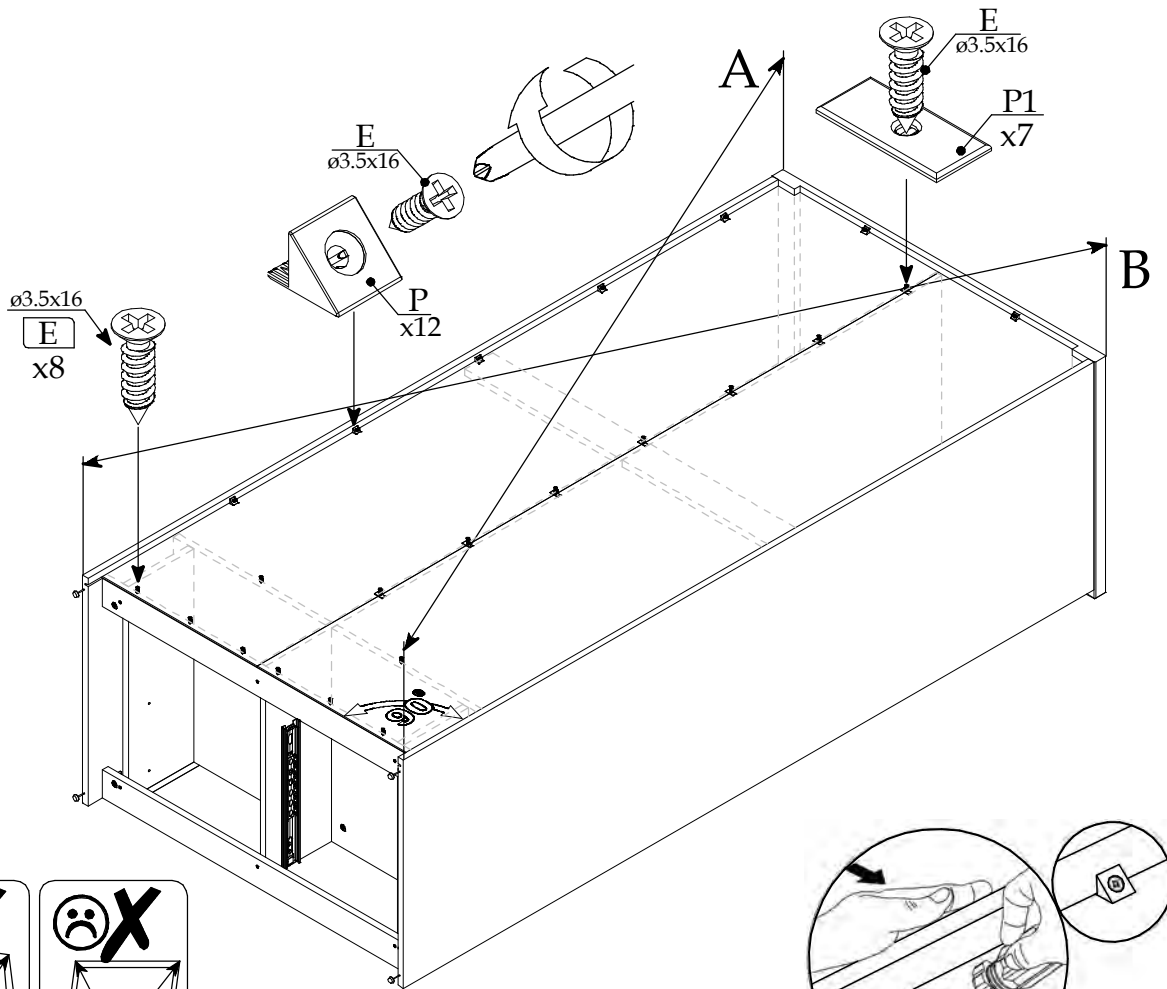






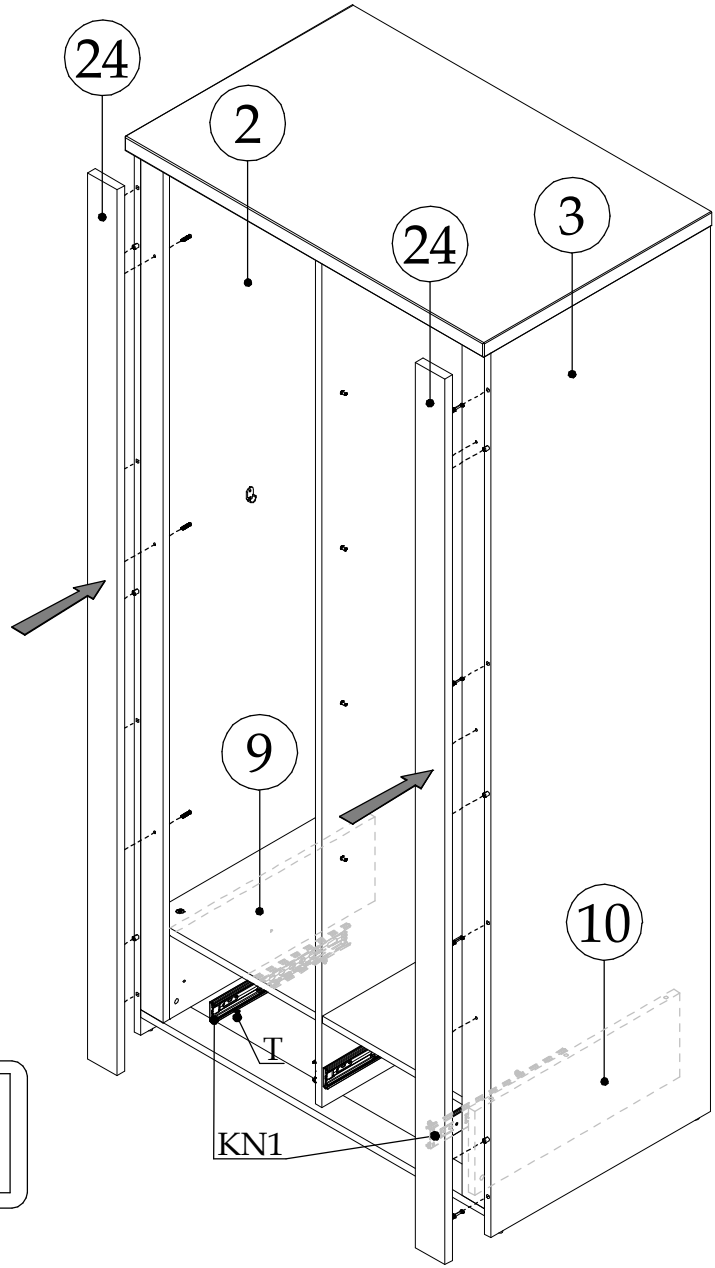
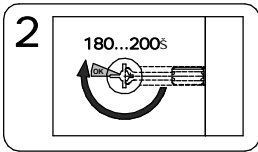
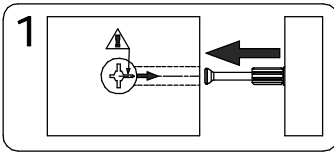
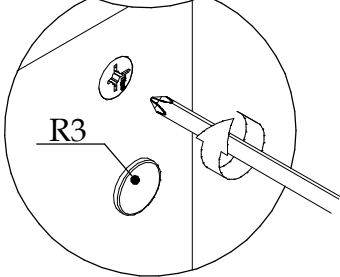
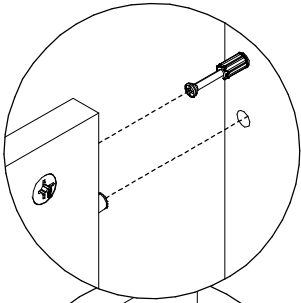
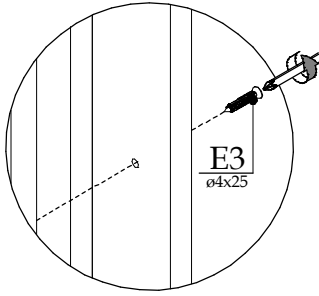


▶ 7

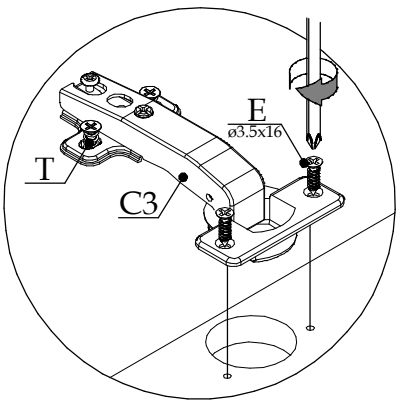
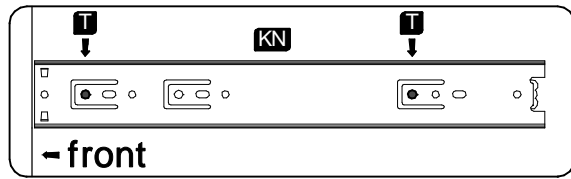
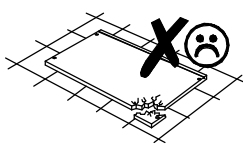
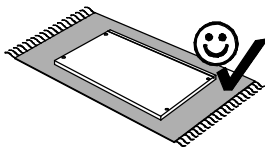




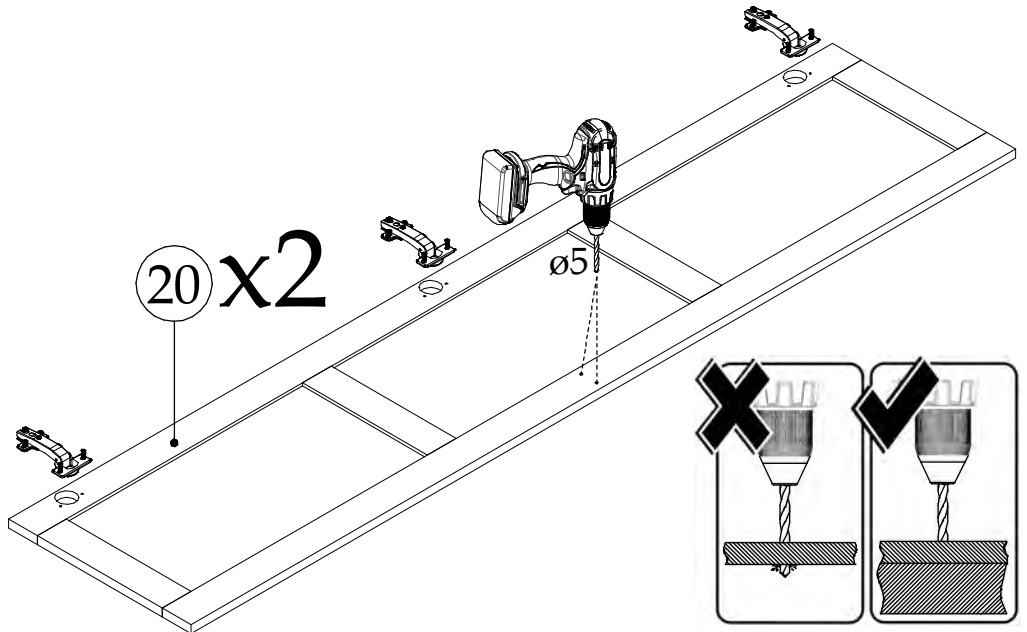
8



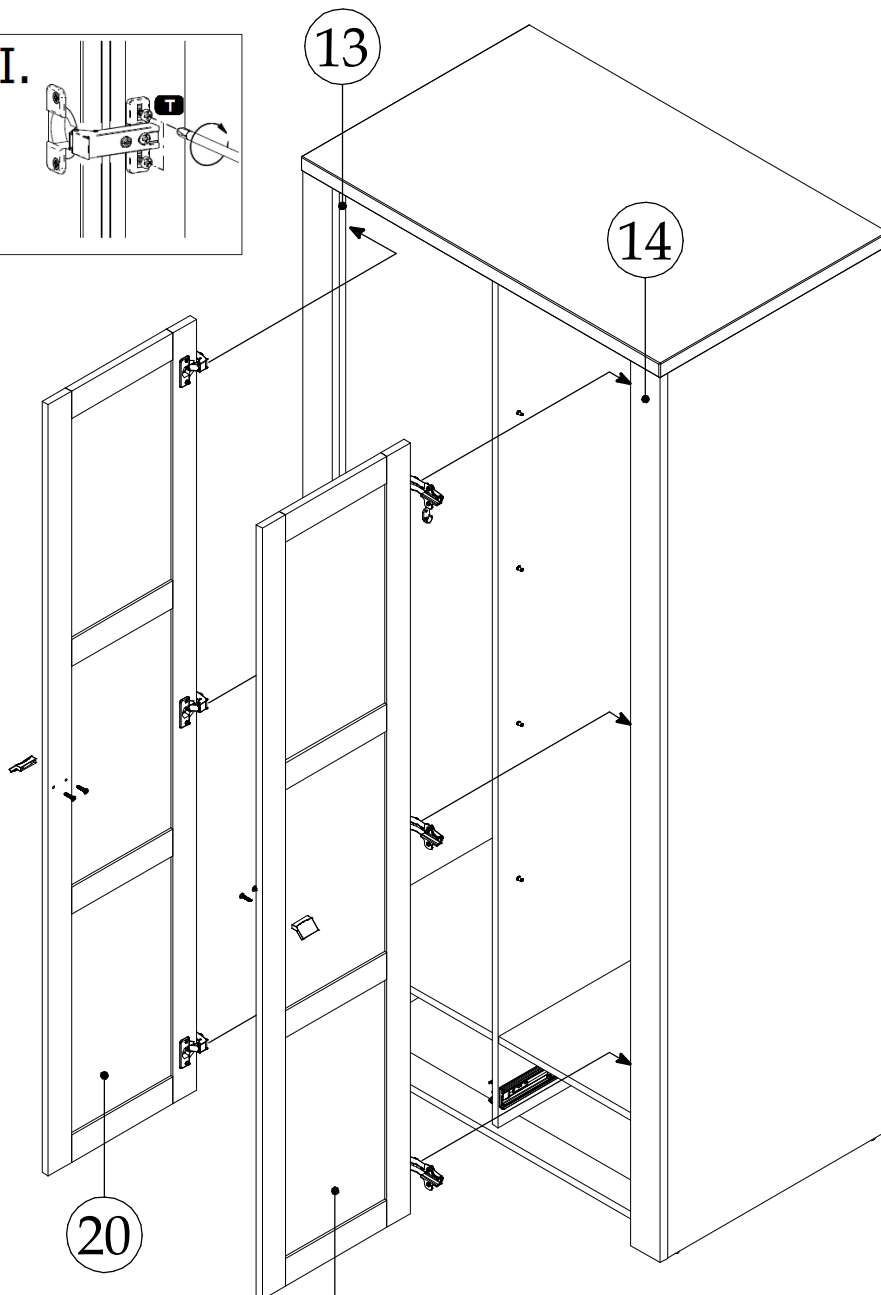
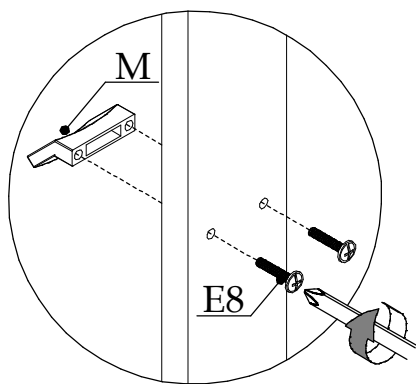
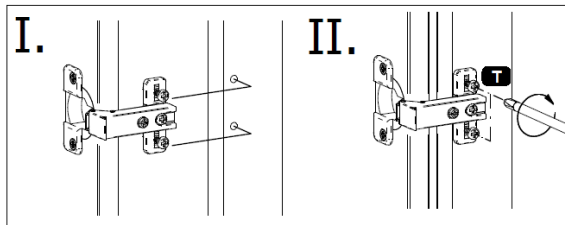
9



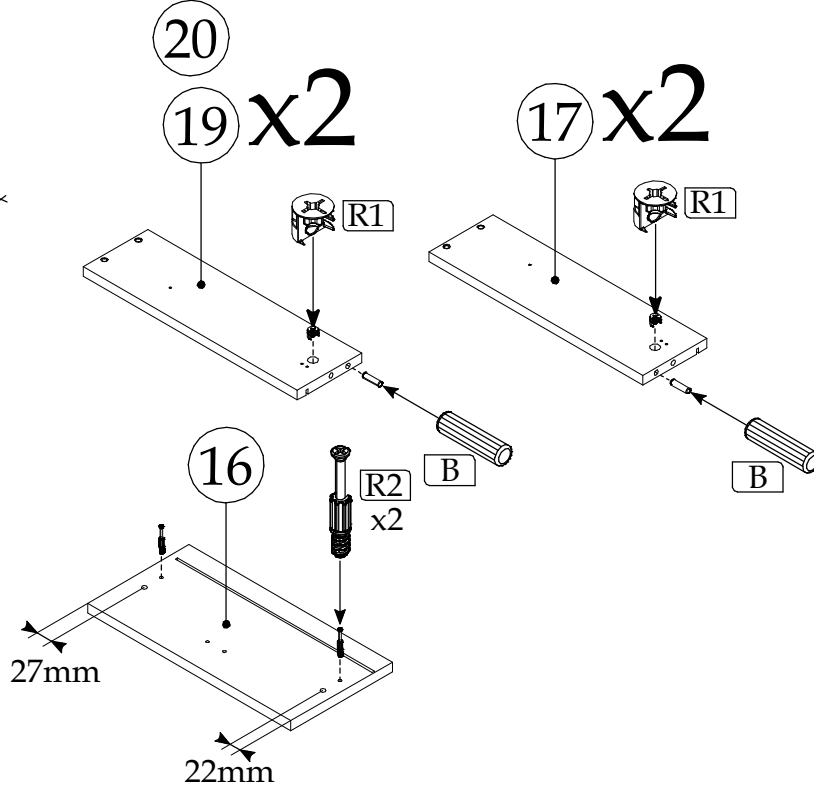
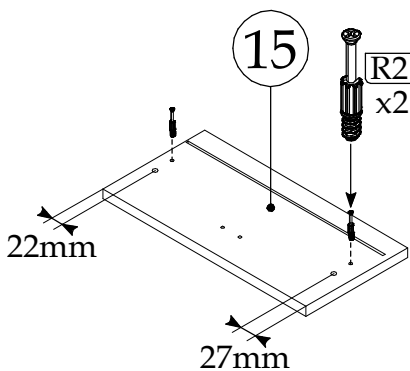
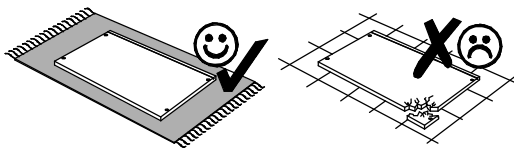
20 x2



► 10



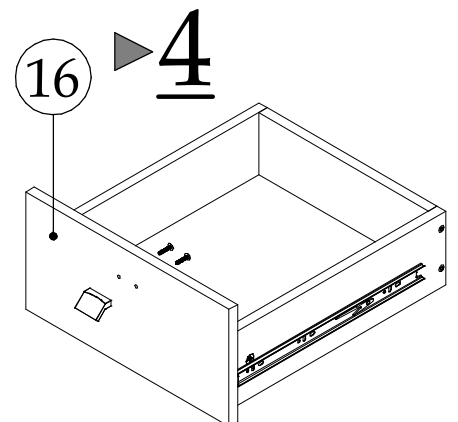
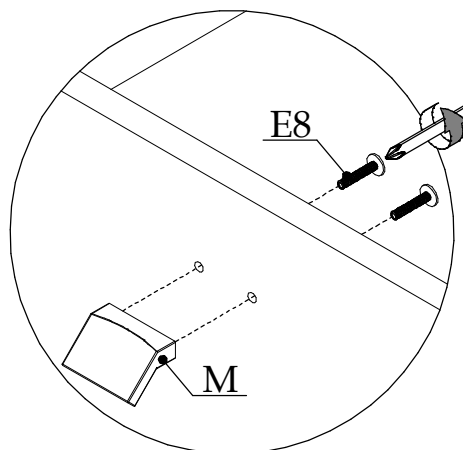
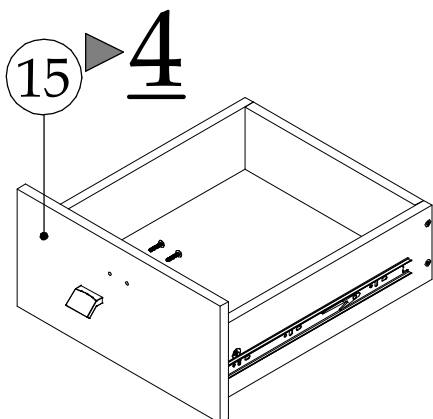
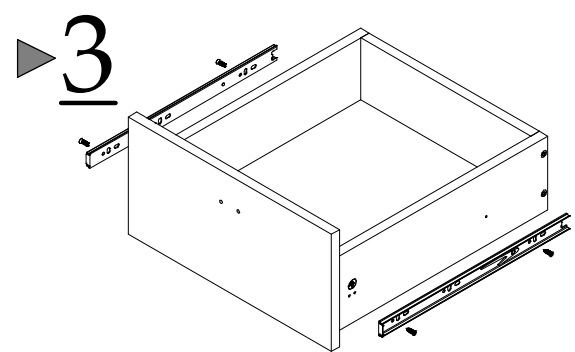
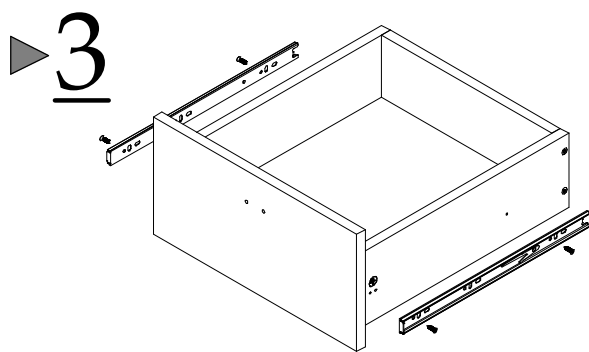
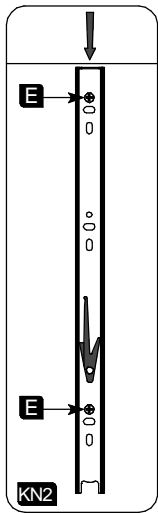
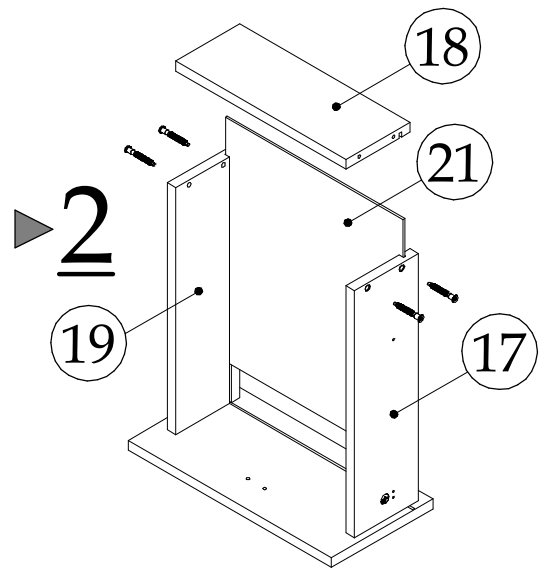
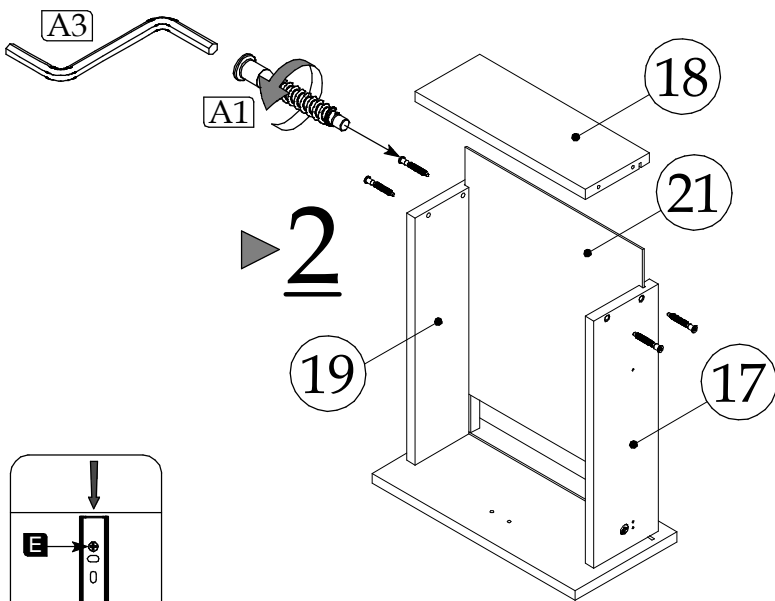
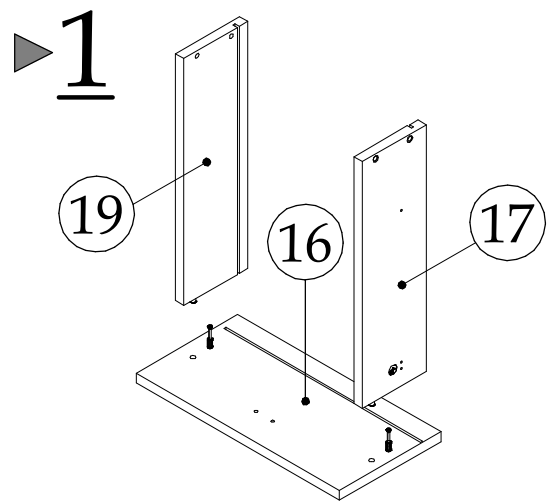
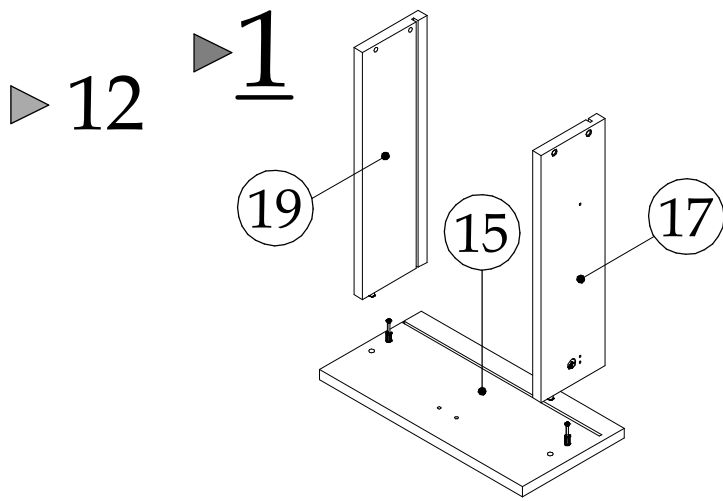
► 11



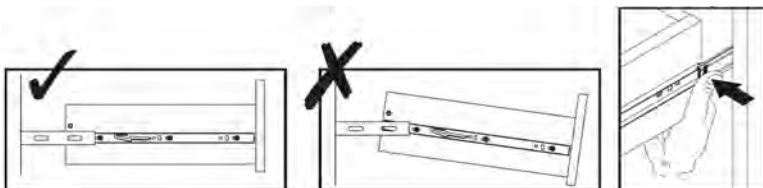
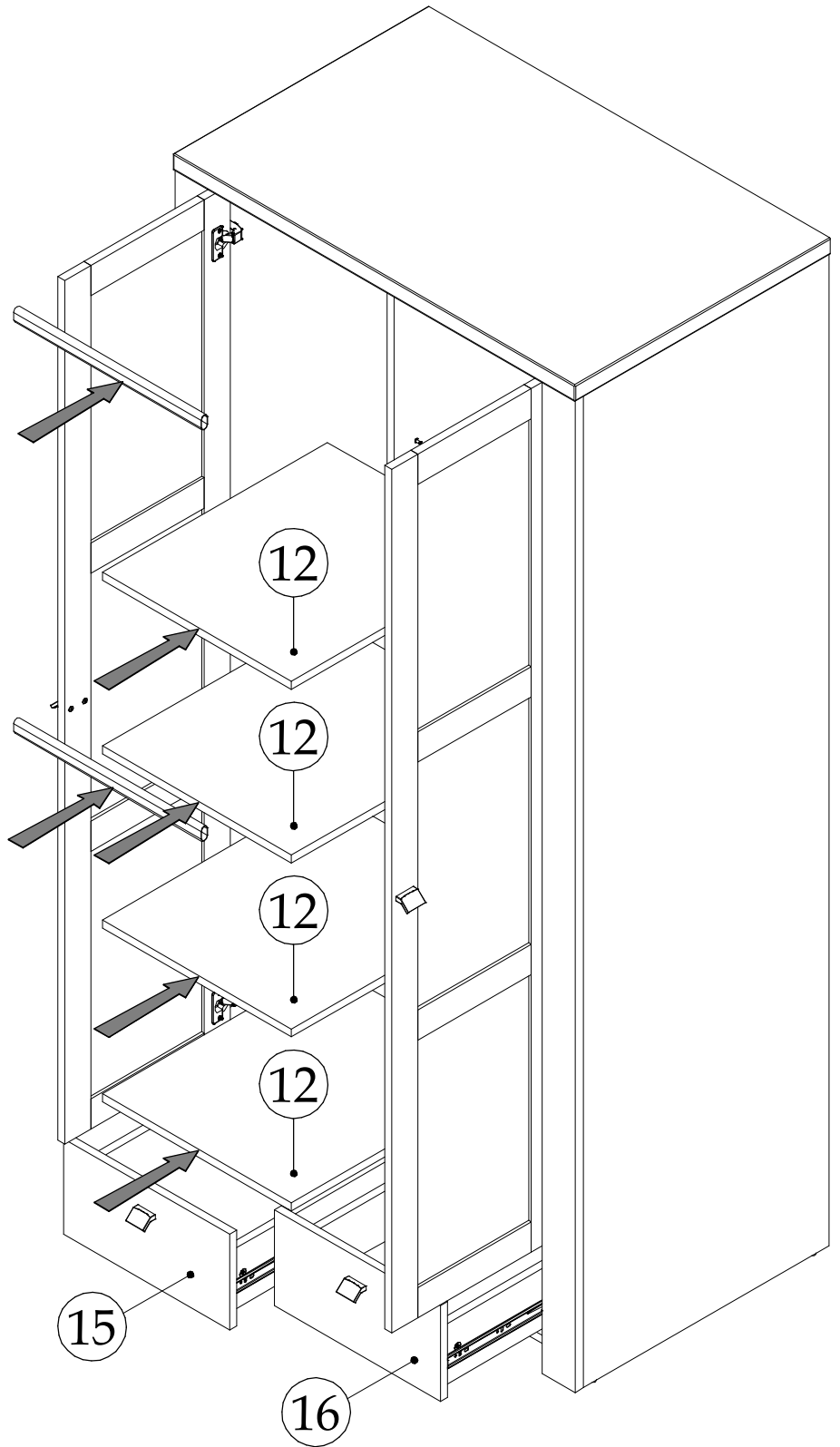
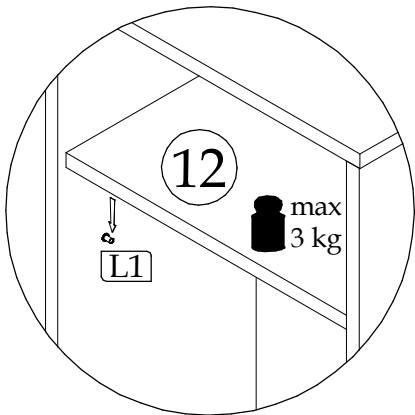
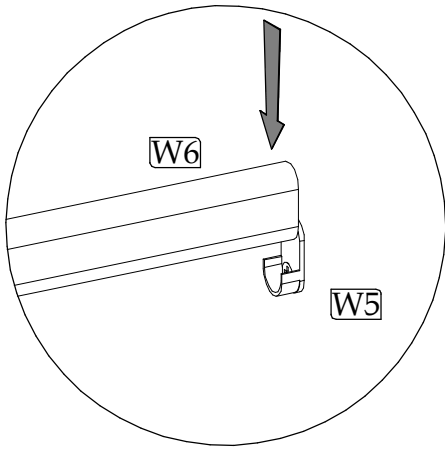
20

19 x2

17 x2



► 13



▶ 14

