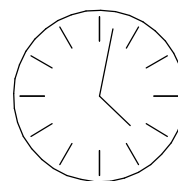
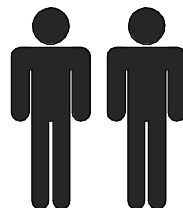
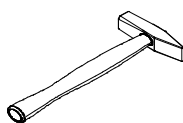
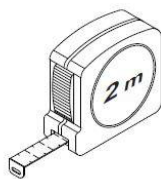
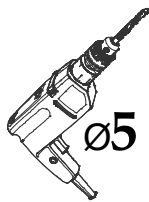
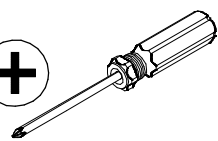
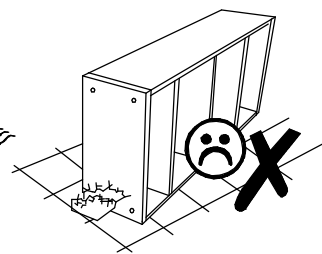
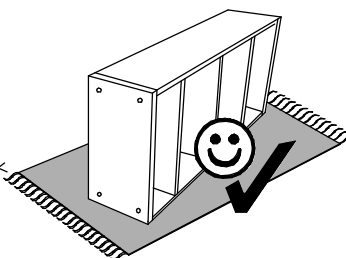
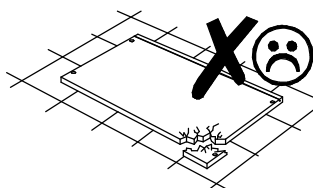
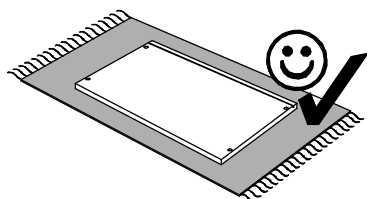
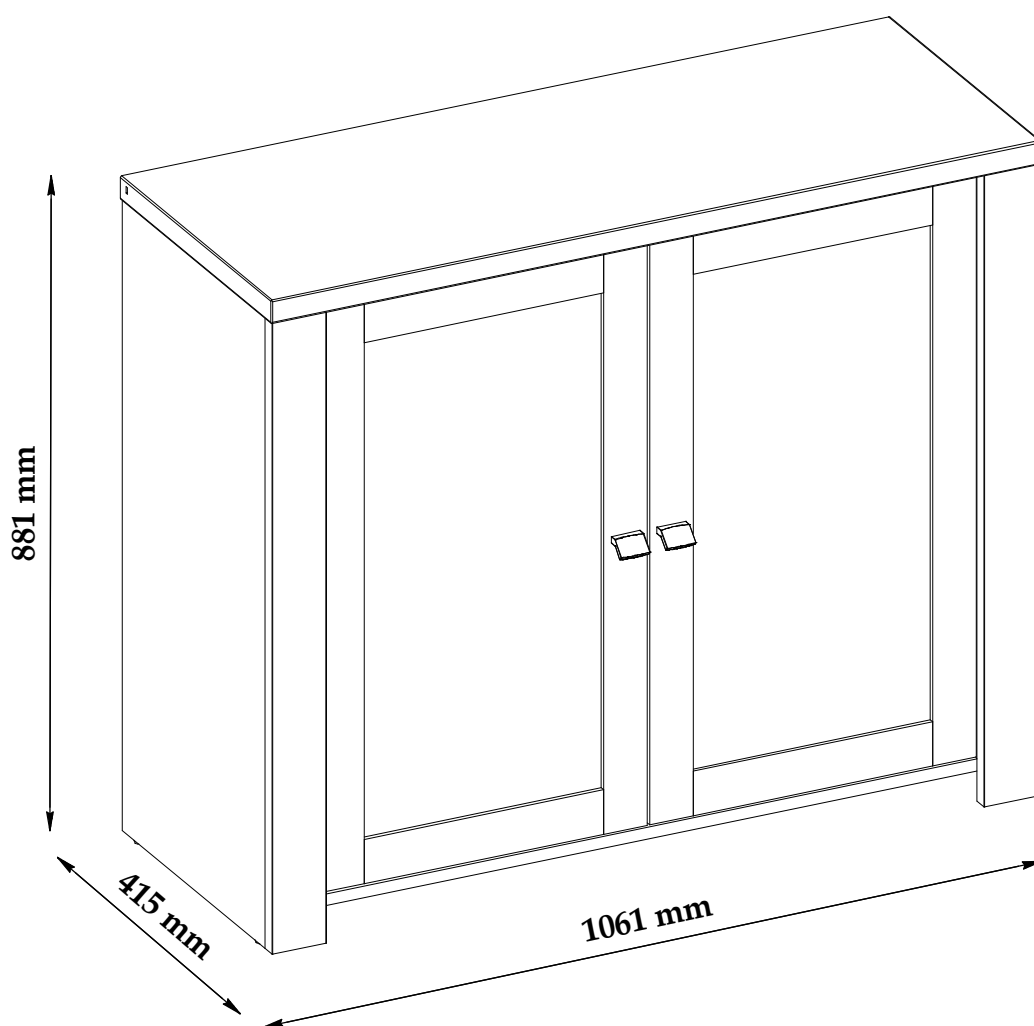


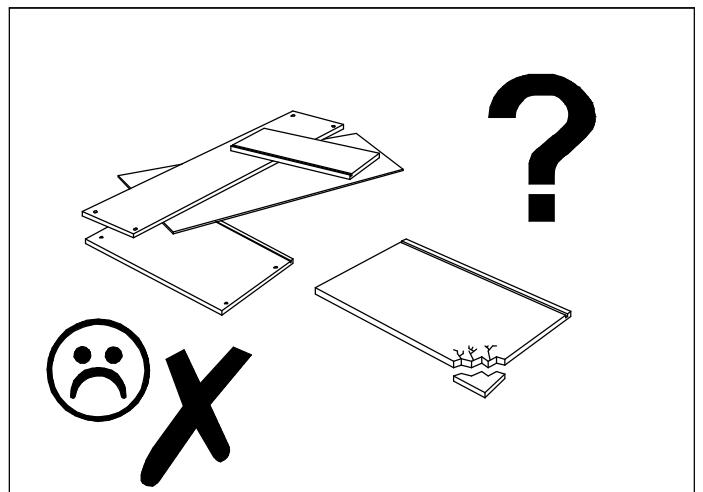
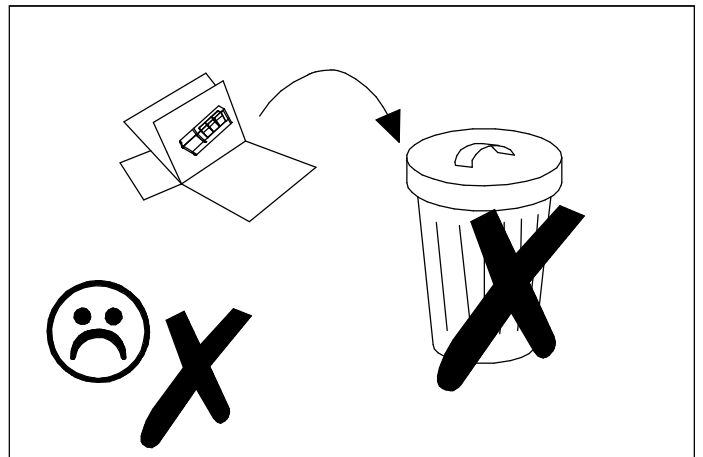
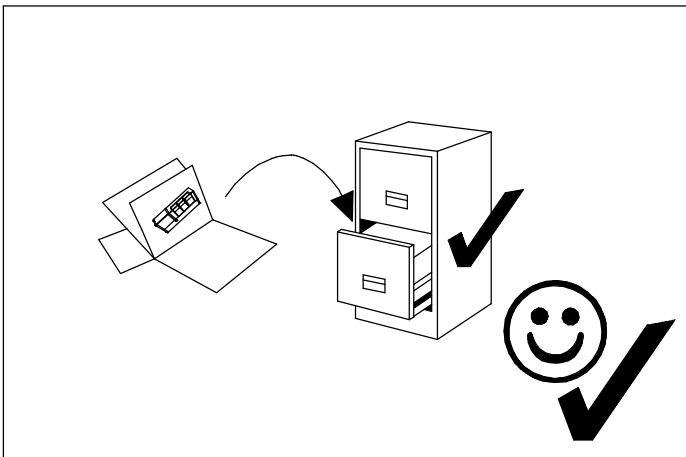
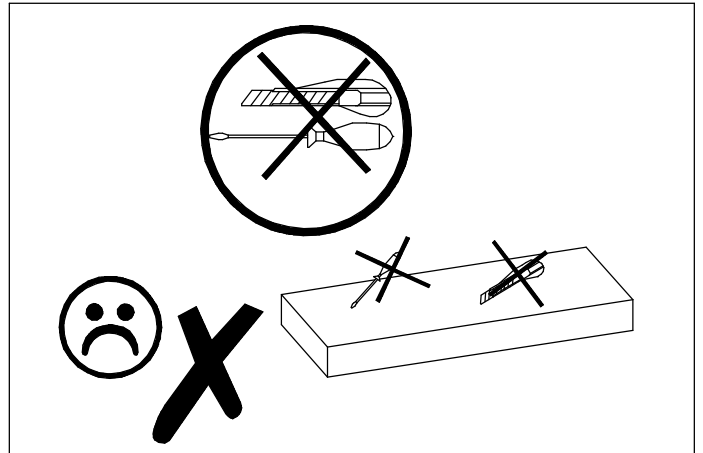
# LATOUR L

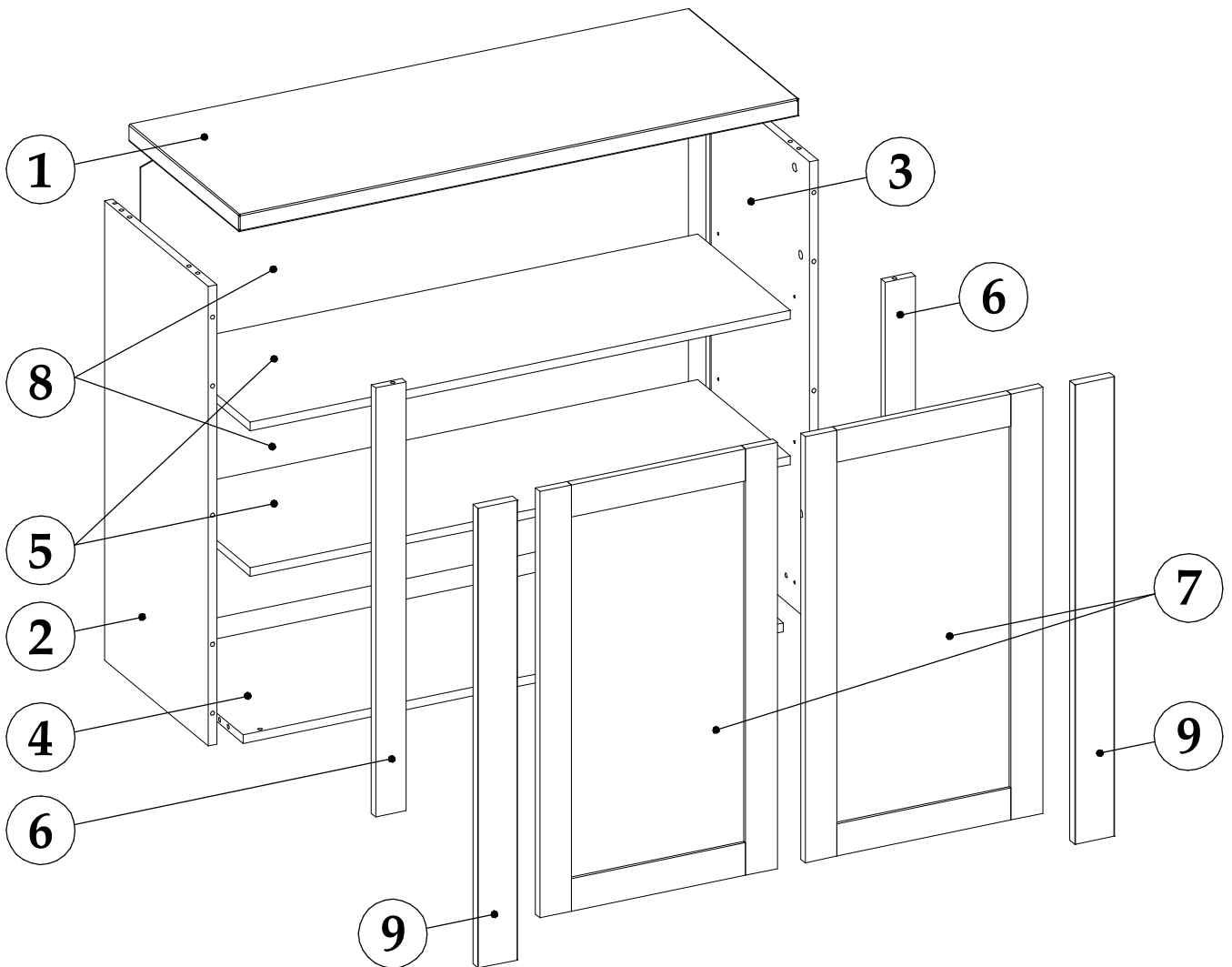
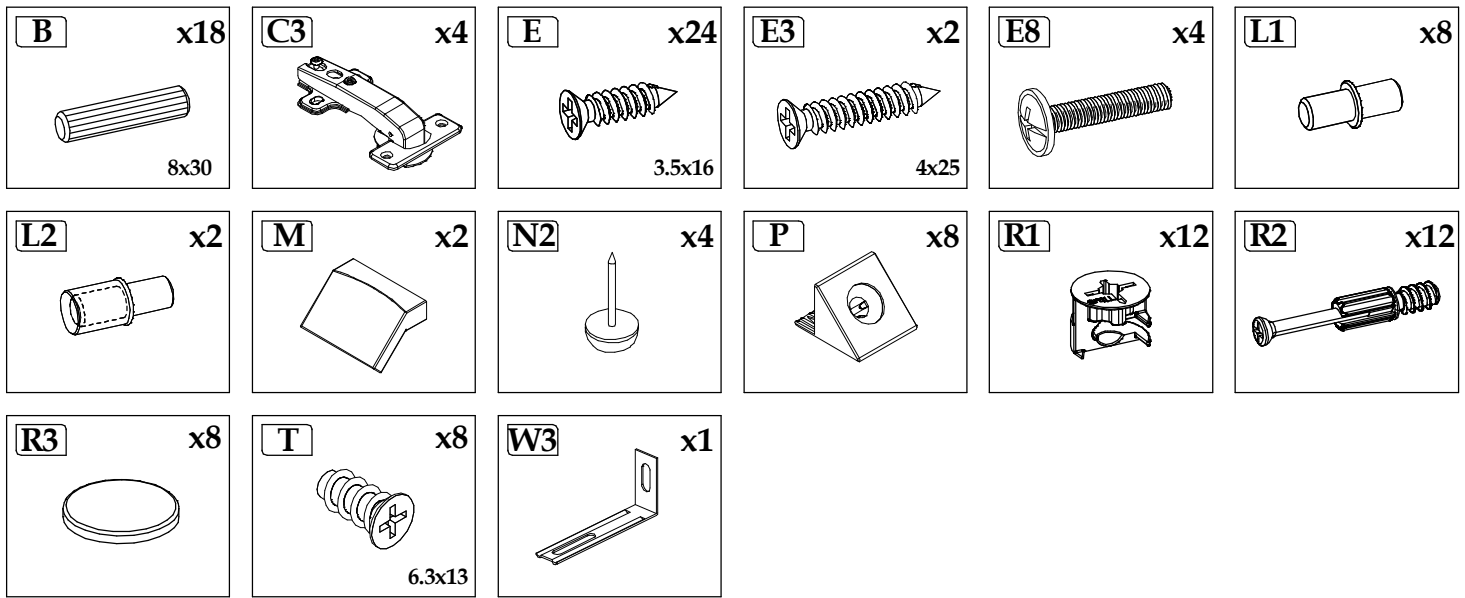
+



50 min

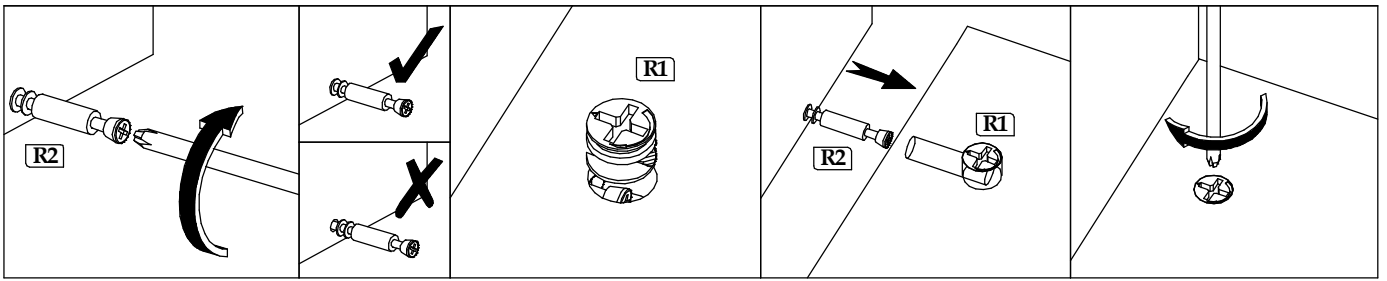




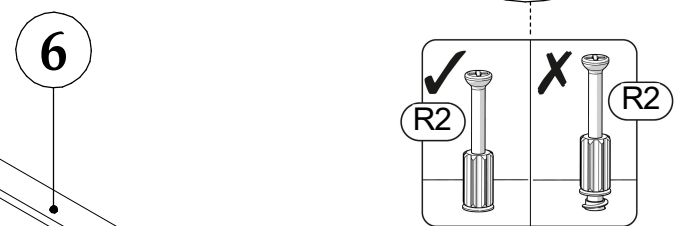
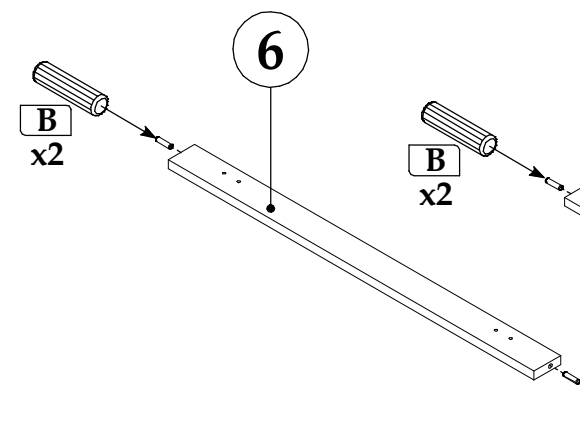
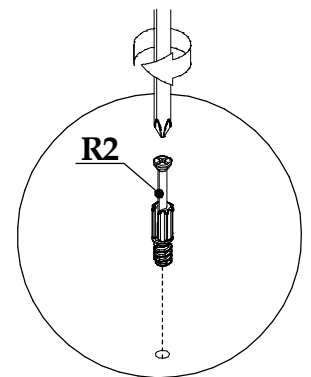
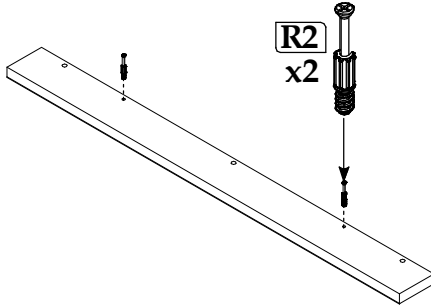
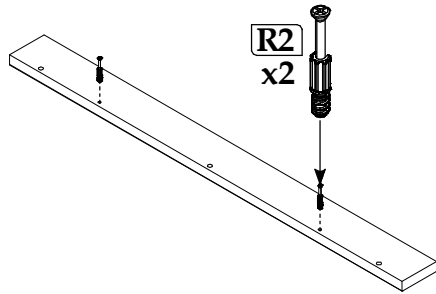
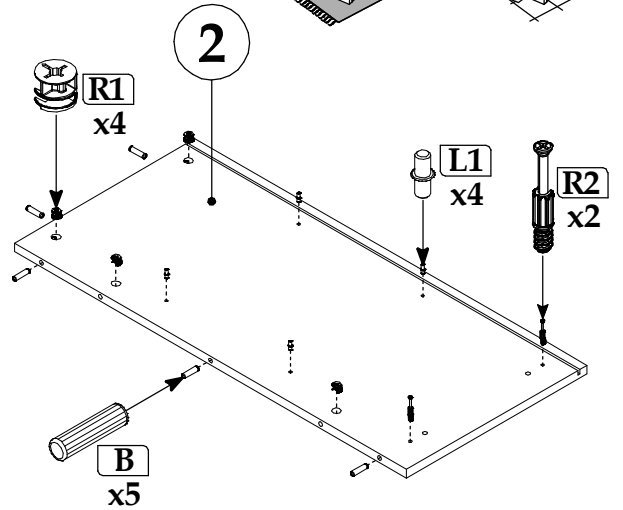
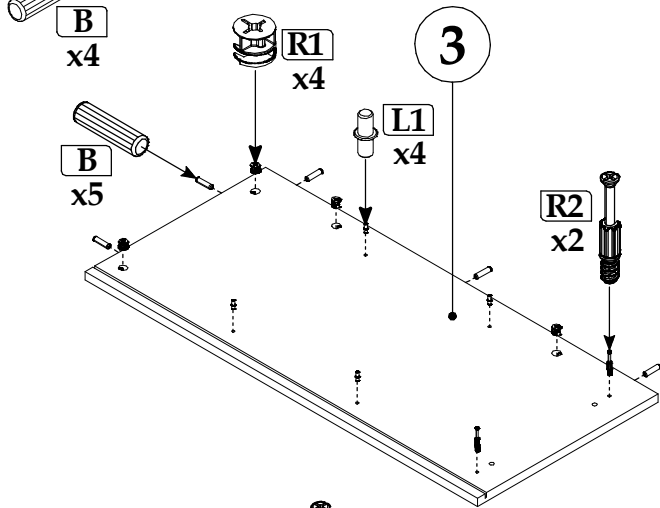
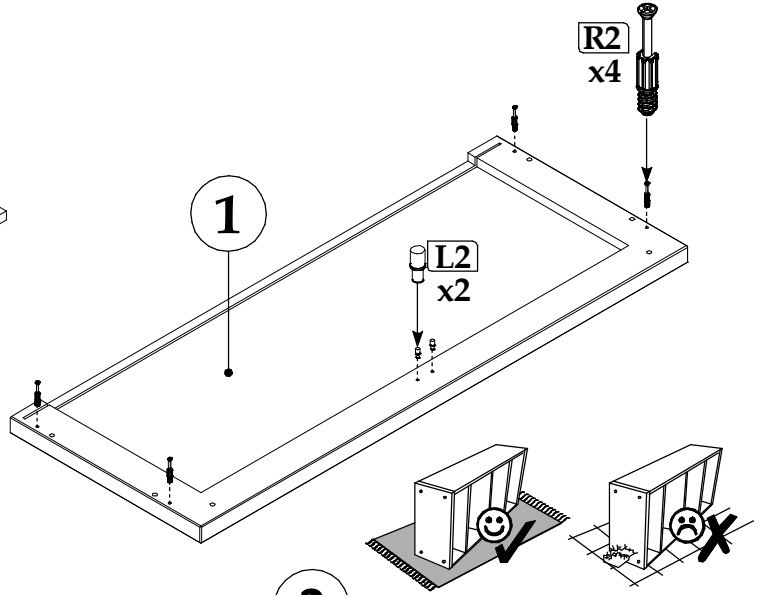
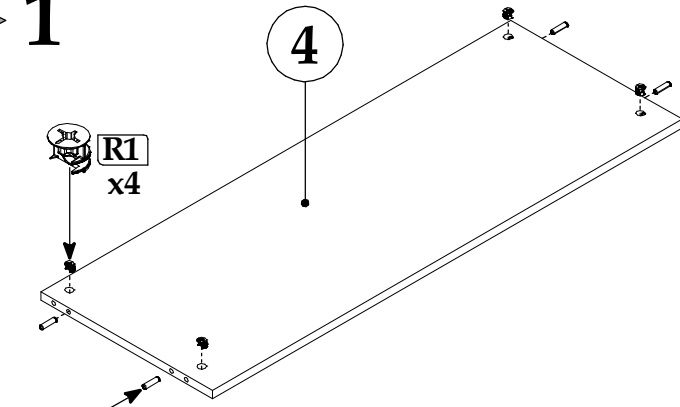


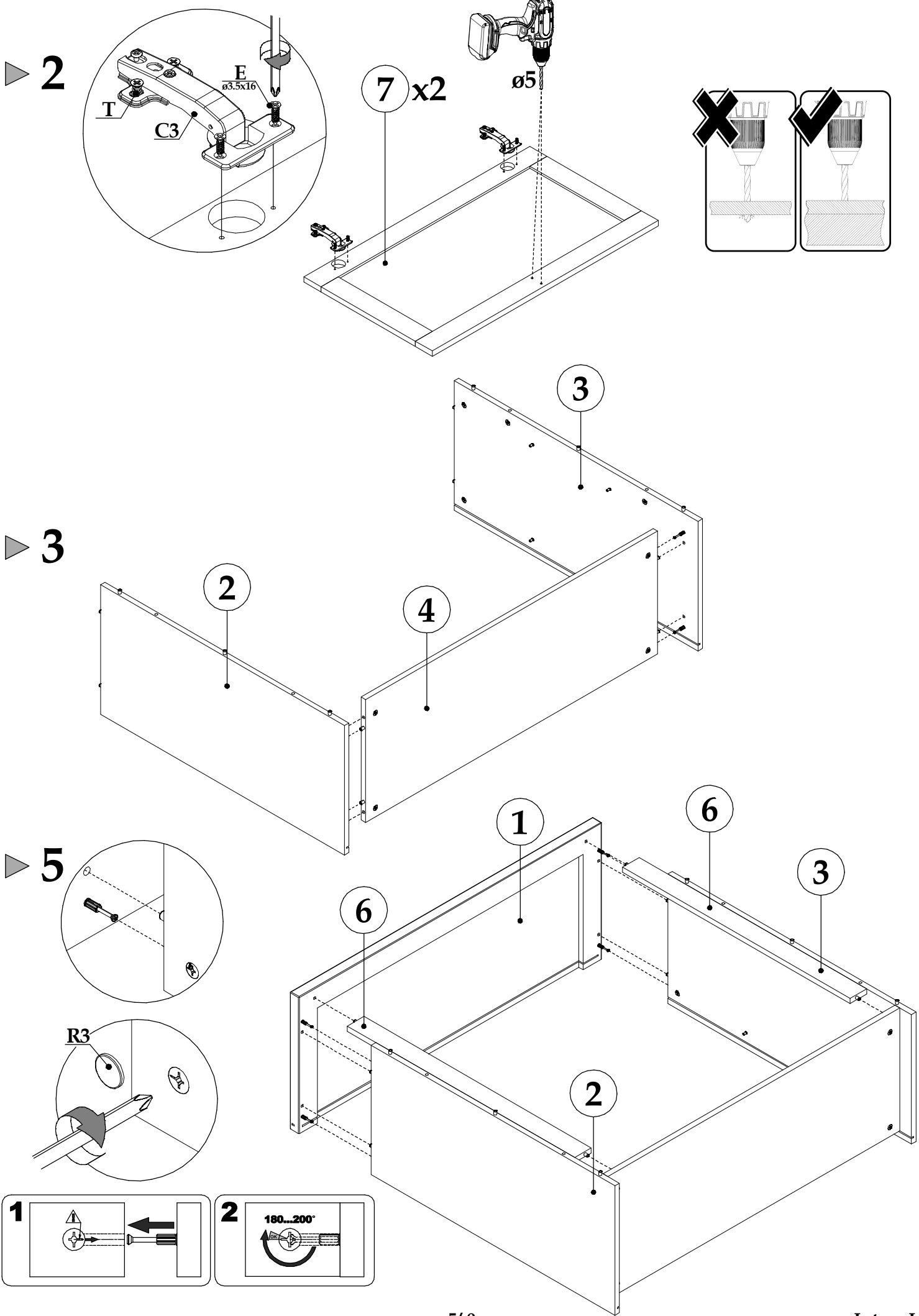
Element symbol	Measurements	Code	Paket
1	1061 415 32 1	1002	2/ 2
2	854 393 16 1	1003	1/ 2
3	854 393 16 1	1004	1/ 2
4	1023 373 16 1	1005	2/ 2

5	1023	350	16	1		2/ 2
6	793	58	16	2	1026	2/ 2
7	792	450	16	2		1/ 2
8	1037	420	3	2	1006_v	1/ 2
9	854	75	19	2	1006_v	1/ 2

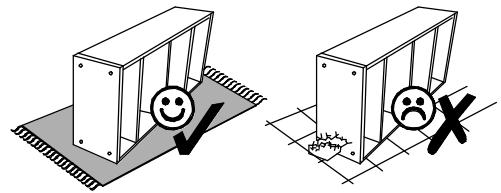
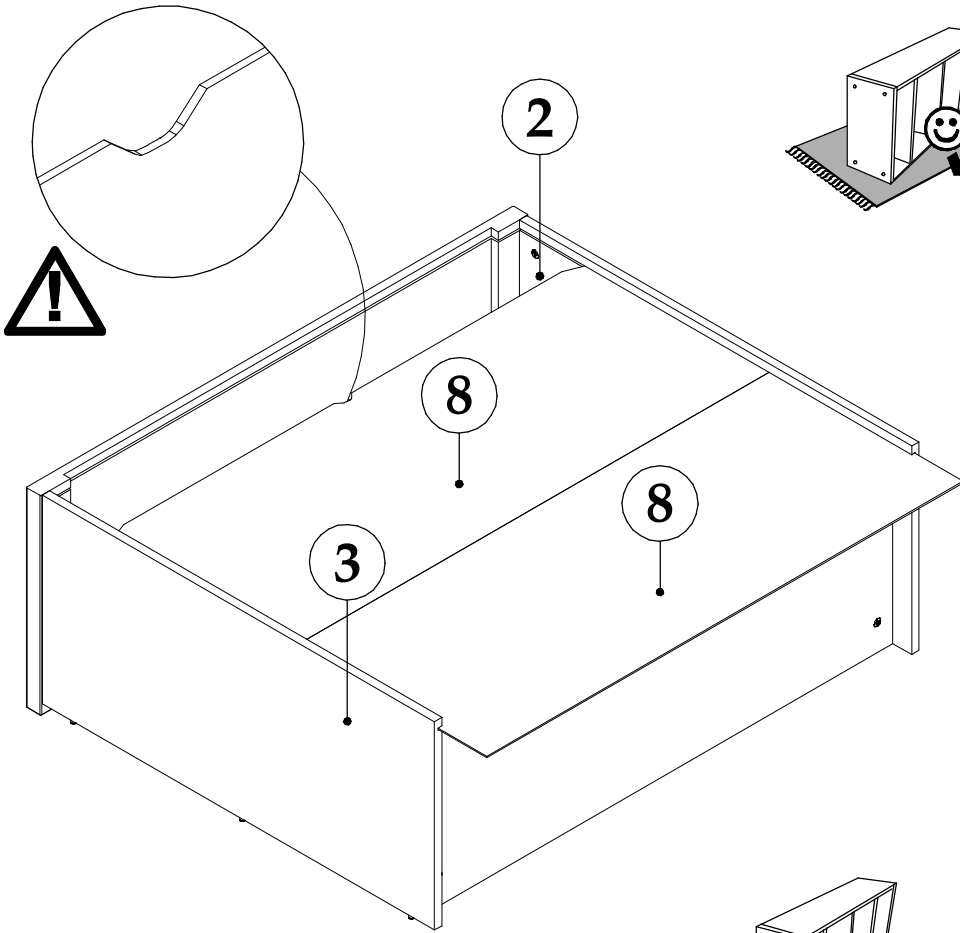


▶ 1

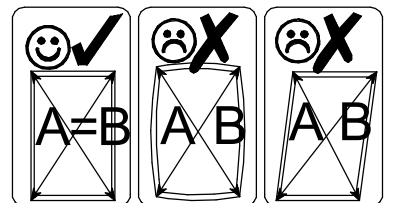
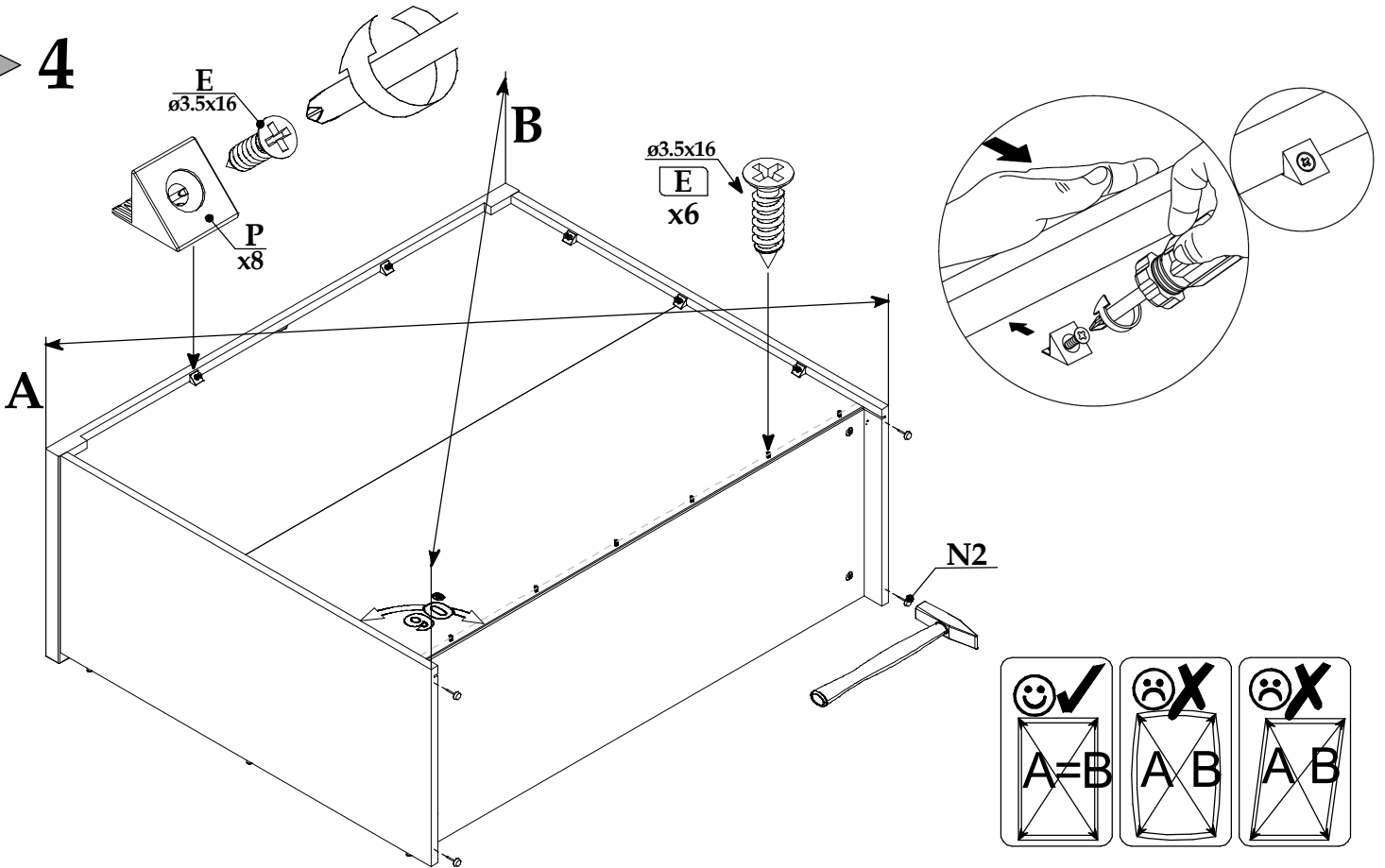




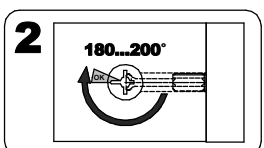
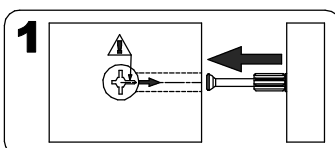
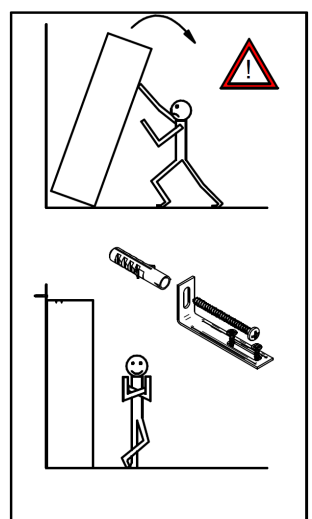
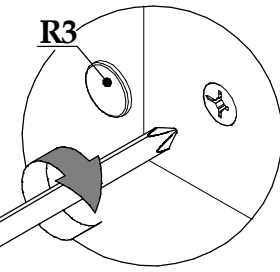
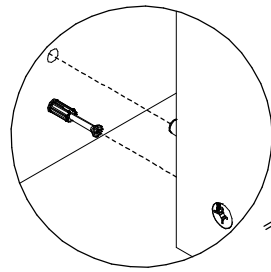
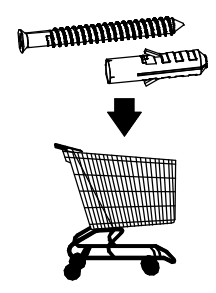
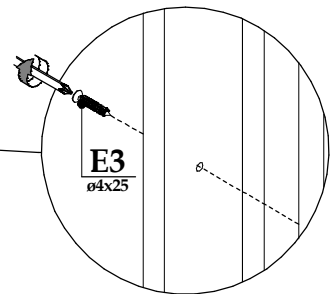
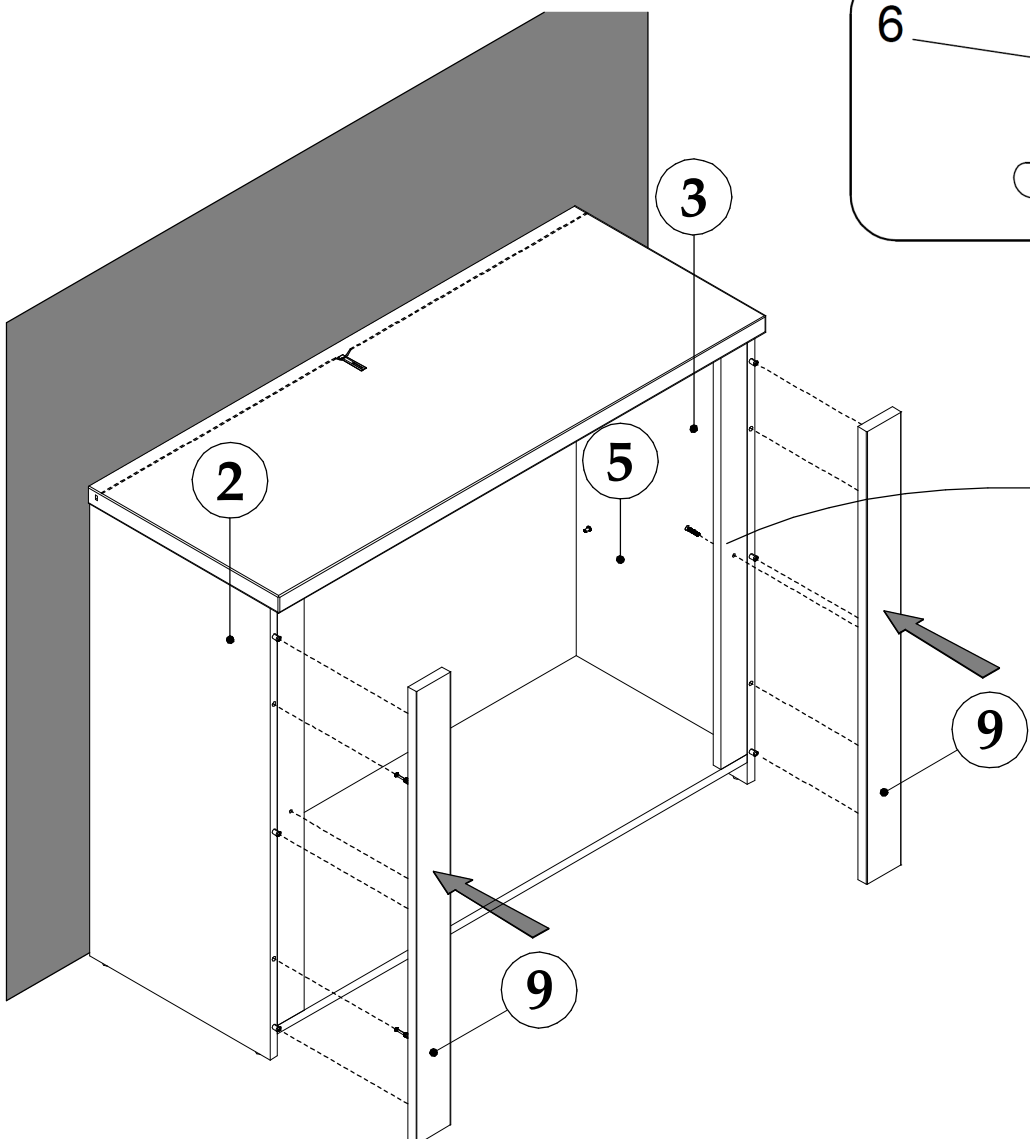
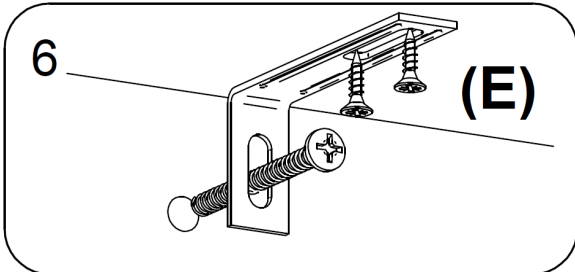
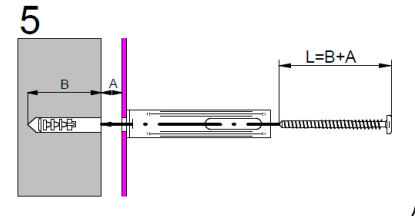
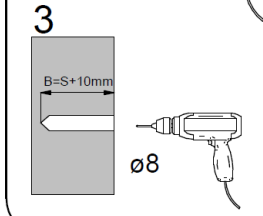
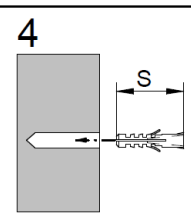
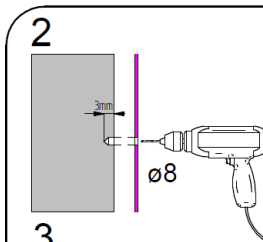
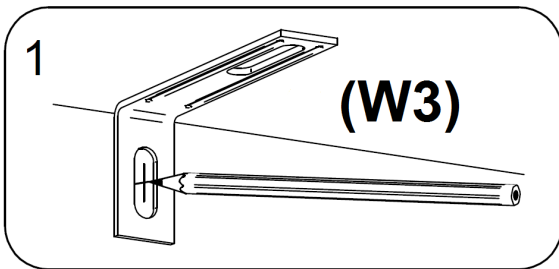
▶ 5



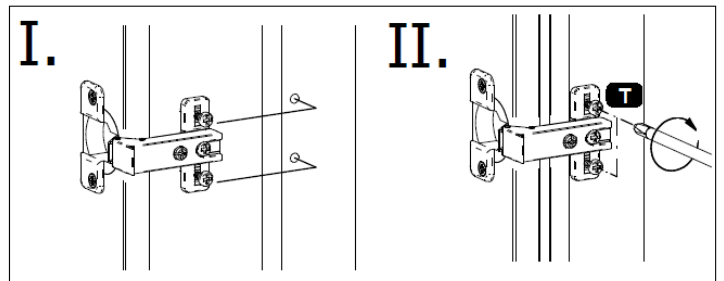
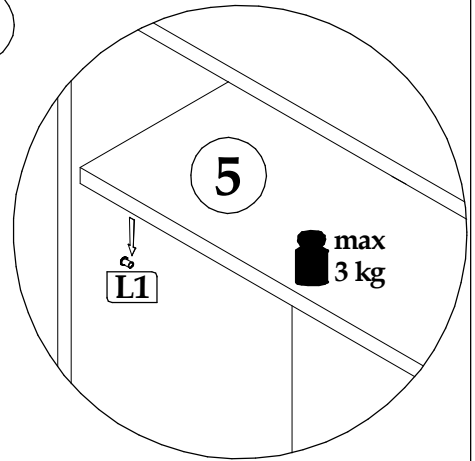
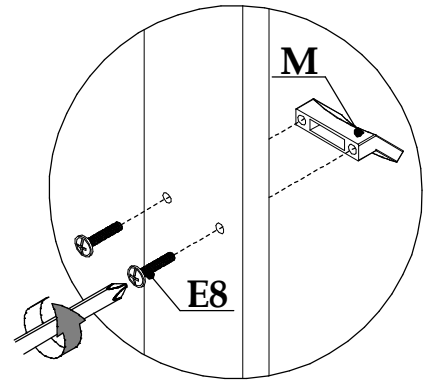
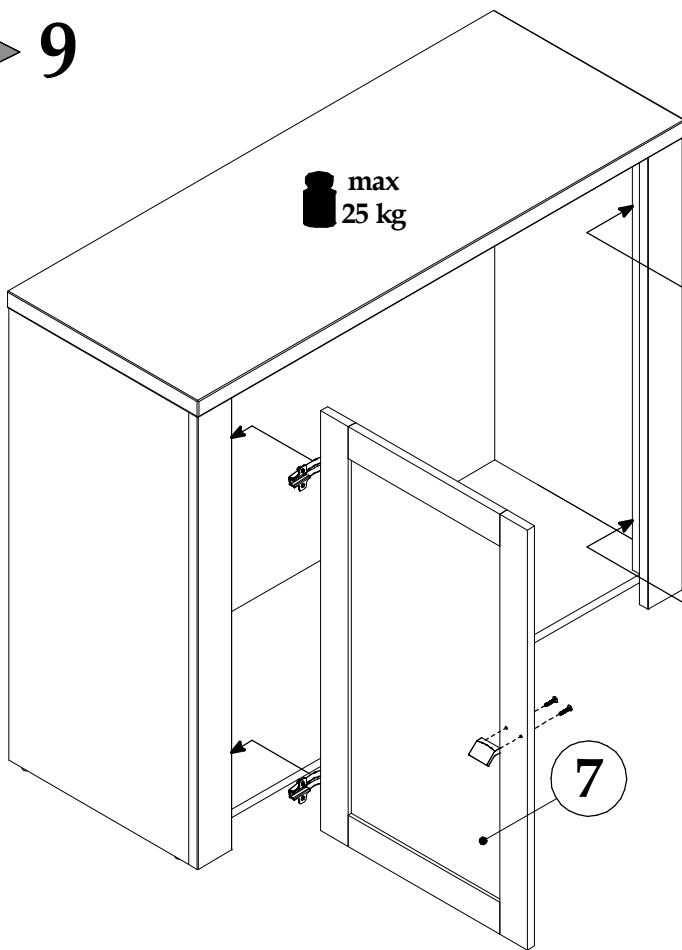
▶ 4



6



▶ 9



▶ 10

