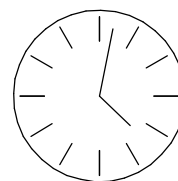
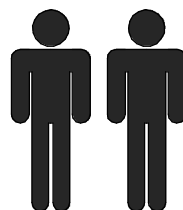
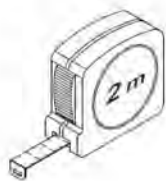
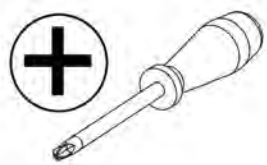
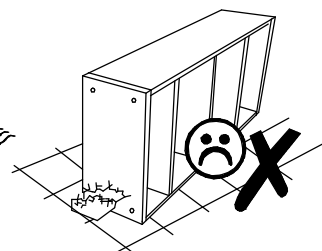
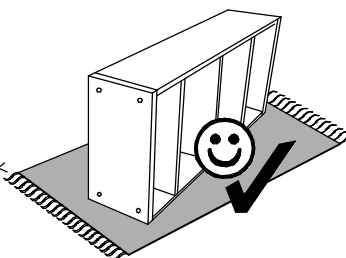
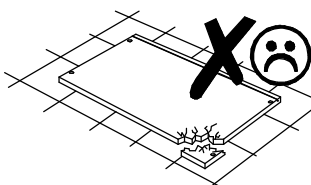
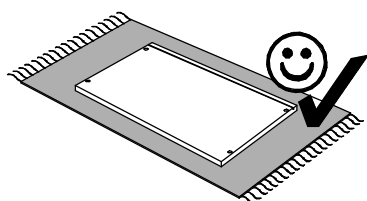
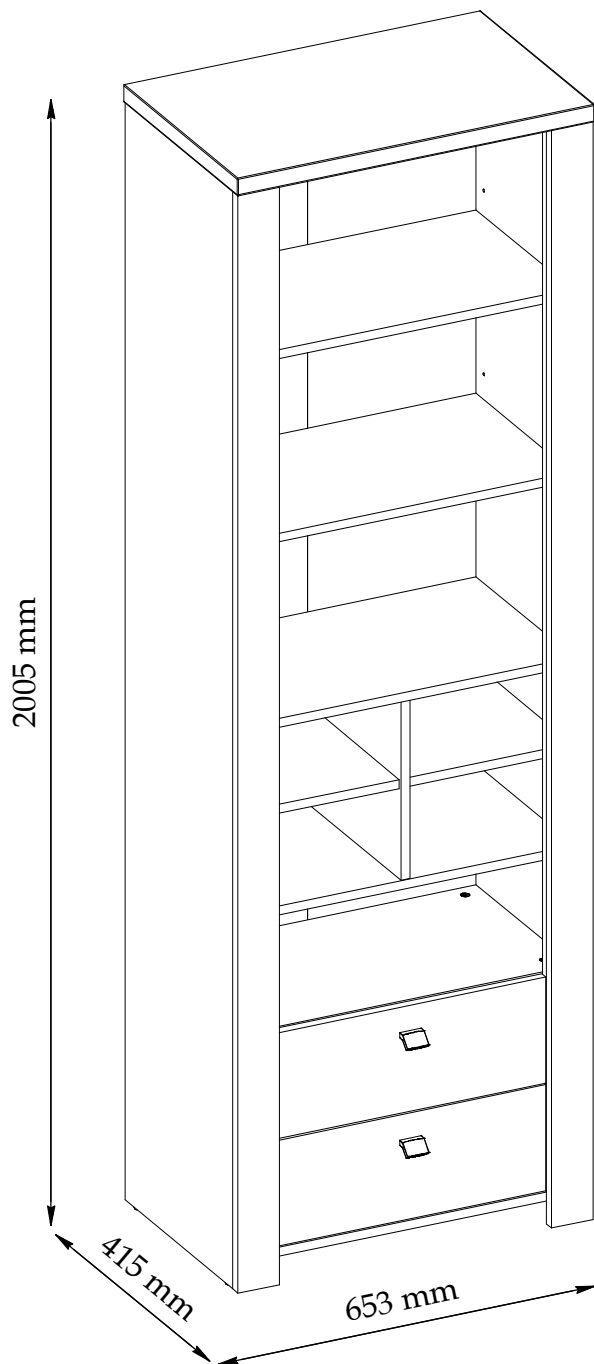
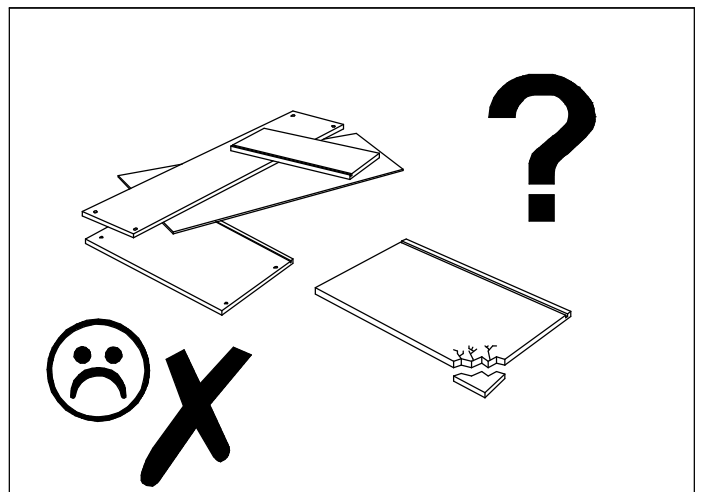
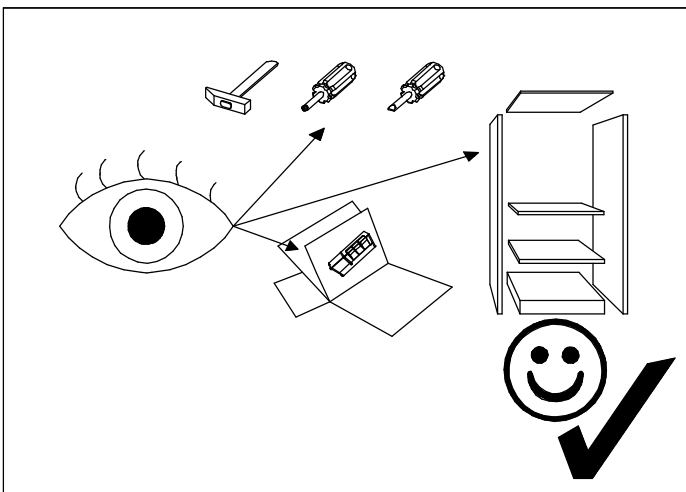
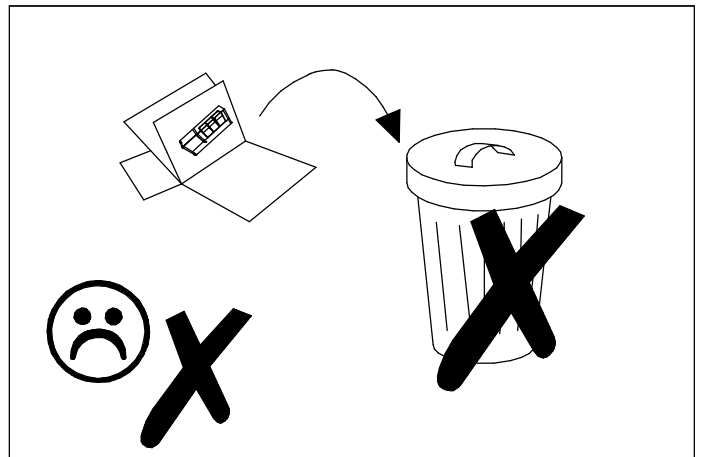
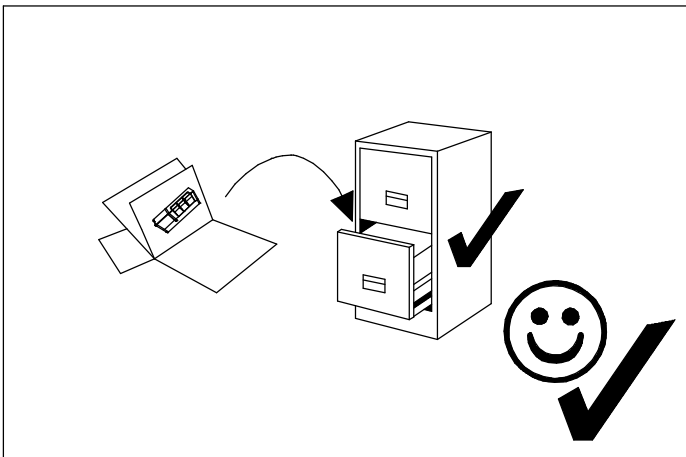
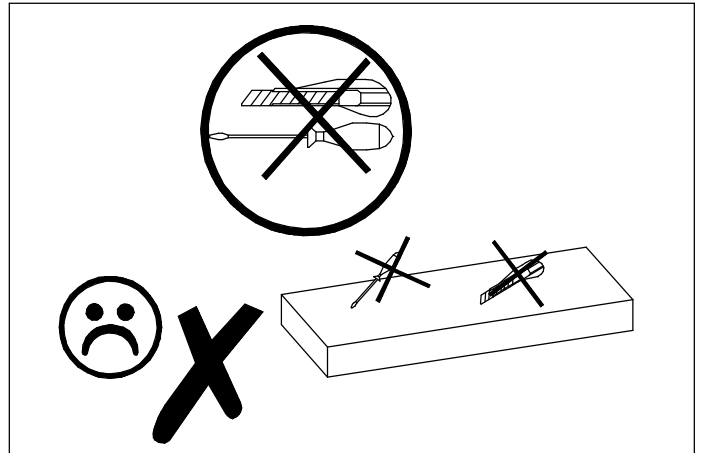
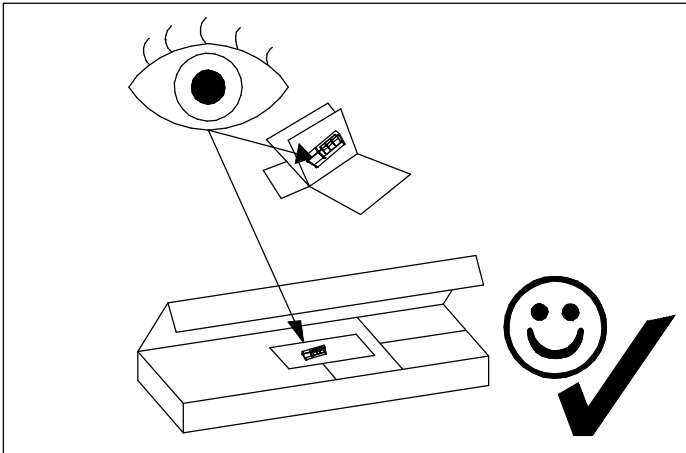


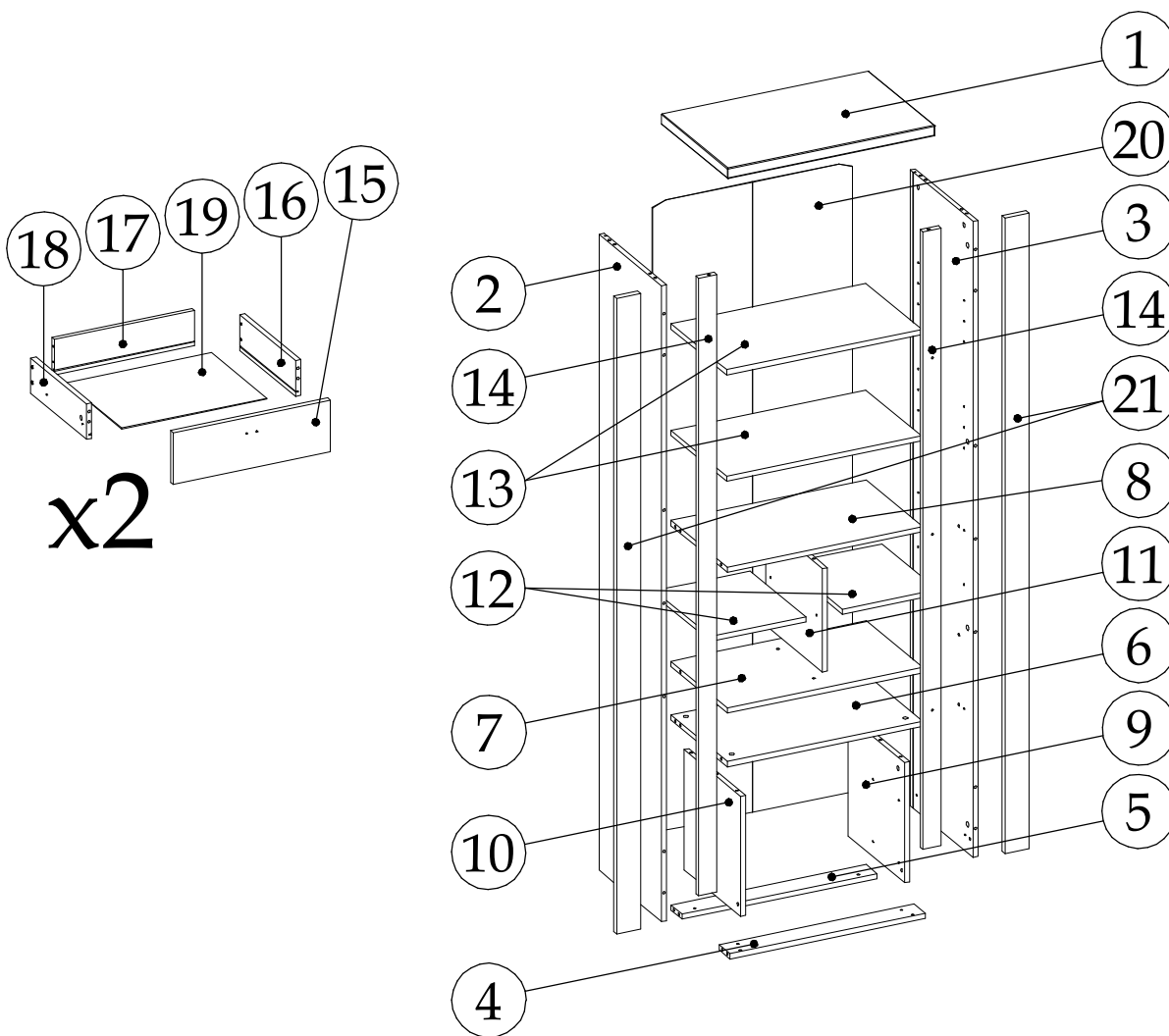
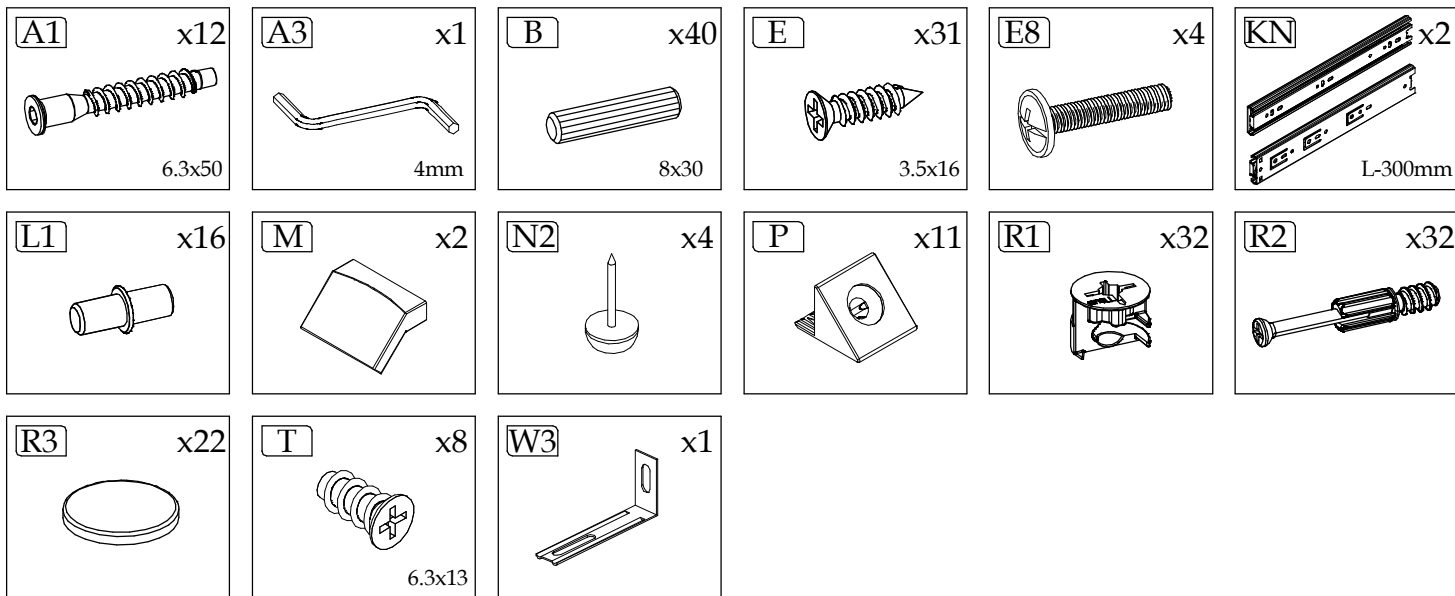
# LATOUR R



90 min



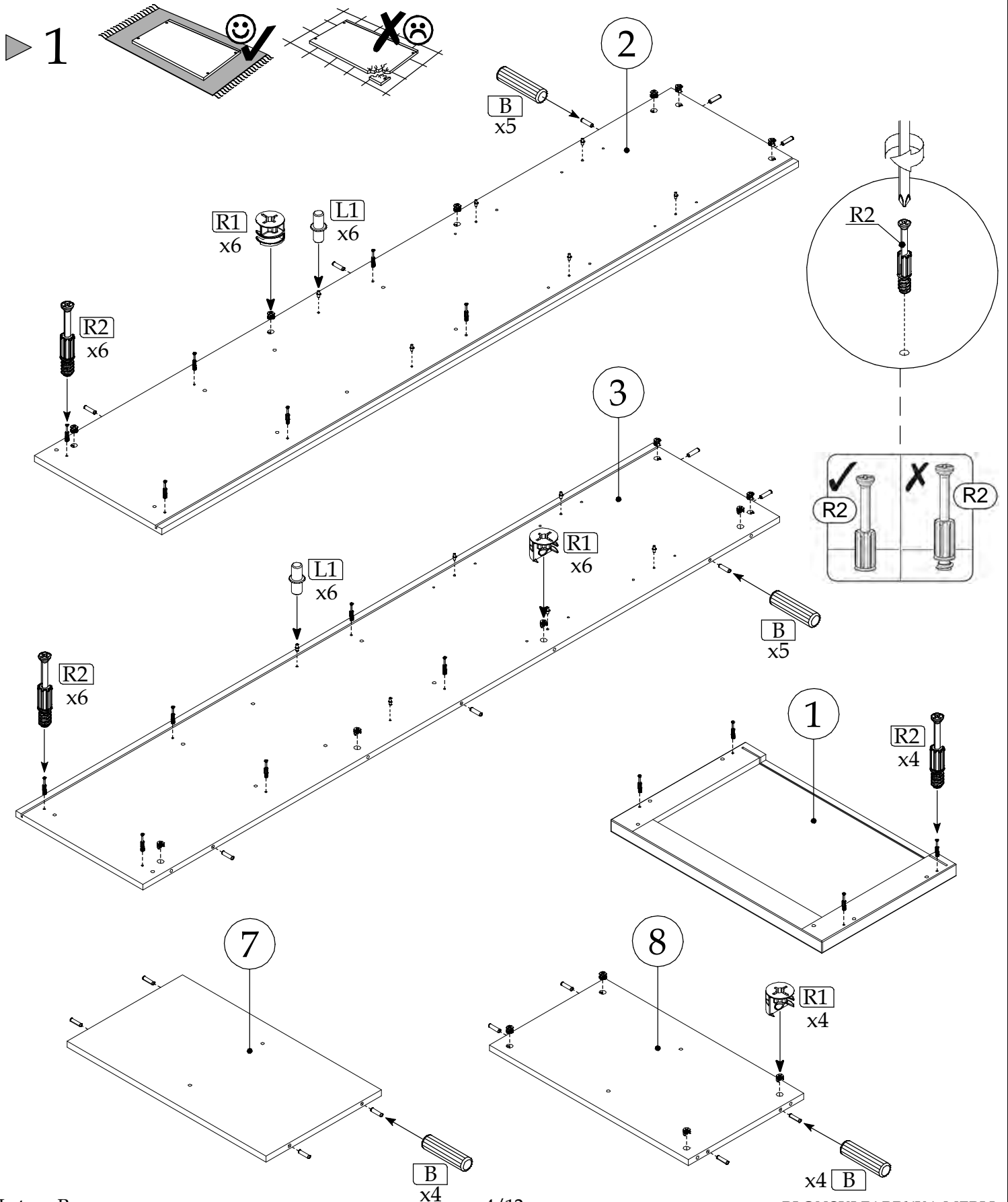
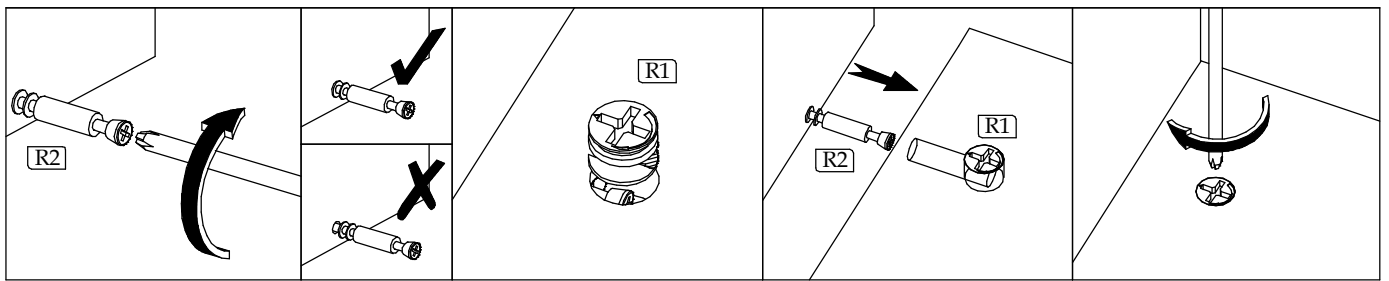




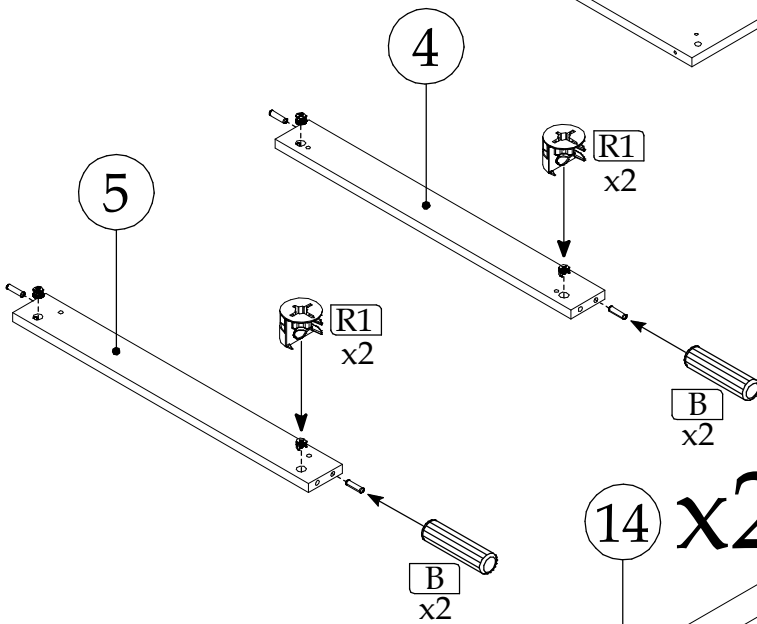
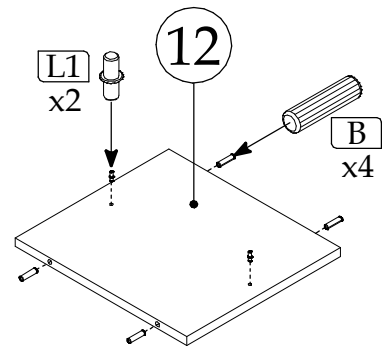
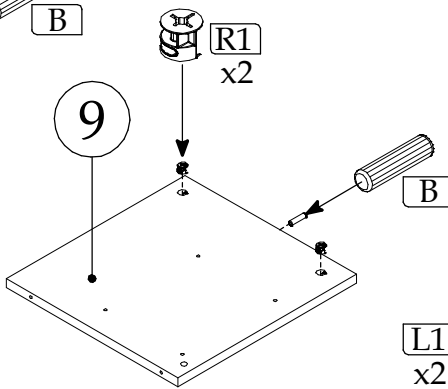
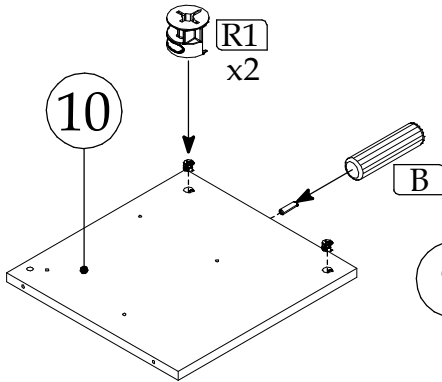
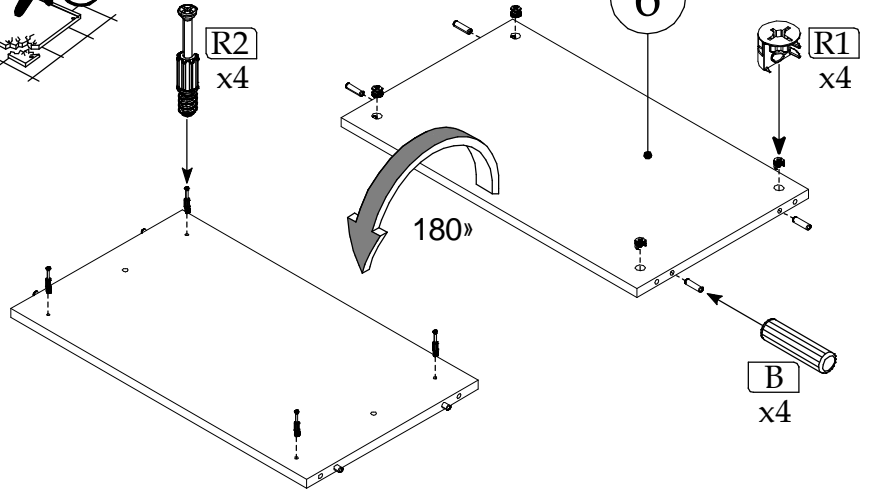
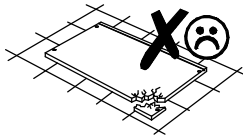
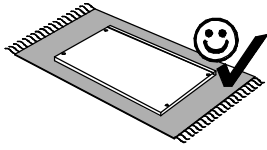
Element symbol	Measurements				Code	Paket
1	653	415	32	1	1002	1/2
2	1968	393	16	1	1003	2/2
3	1968	393	16	1	1004	2/2
4	615	70	16	1	1005	1/2
5	615	70	16	1	1049	1/2
6	615	356.5	16	1	1032	1/2

7	615	356.5	16	1	1046	1/2
8	615	356.5	16	1	1066	1/2
9	372	356.5	16	1	1050	2/2
10	372	356.5	16	1	1051	2/2
11	320	356	16	1	1065	2/2
12	299	350	16	2		1/2
13	614.5	350	16	2		1/2

14	1911	58	16	2	1026	2/2
15	494	190	16	2	1052	2/2
16	350	110	16	2	1053	2/2
17	436.5	110	16	2	1054	2/2
18	350	110	16	2	1055	2/2
19	450.5	346	3	2		2/2
20	1950	629	3	1		2/2
21	1968	75	19	2		2/2



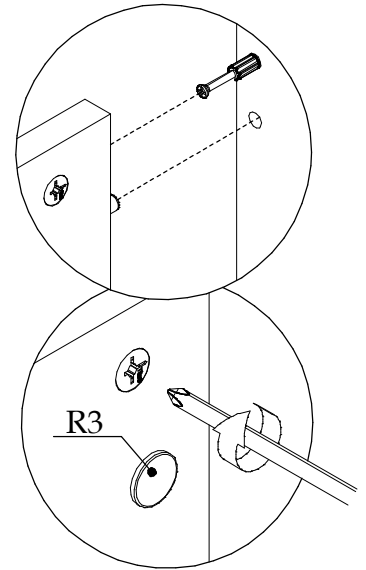
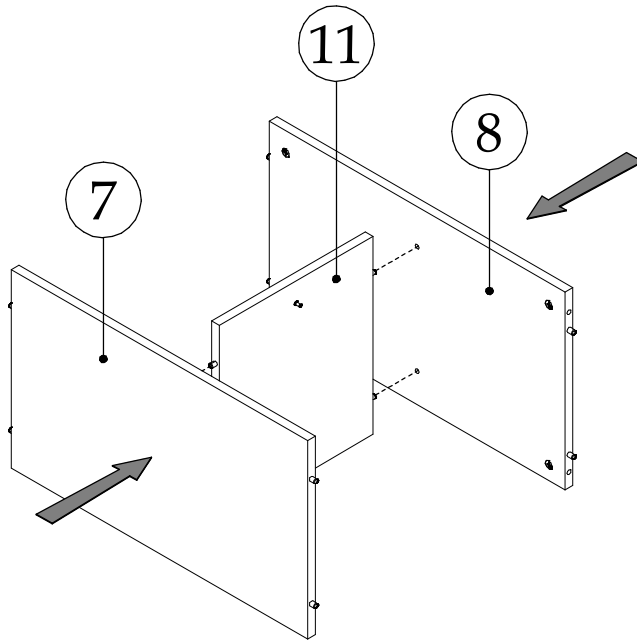
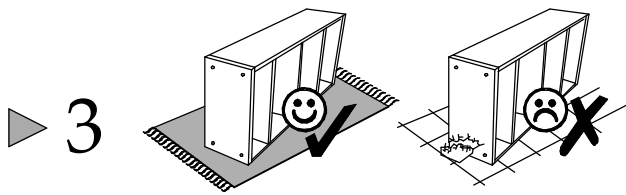
2



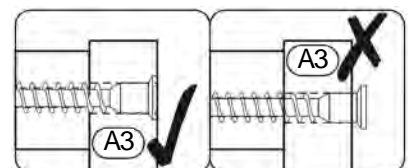
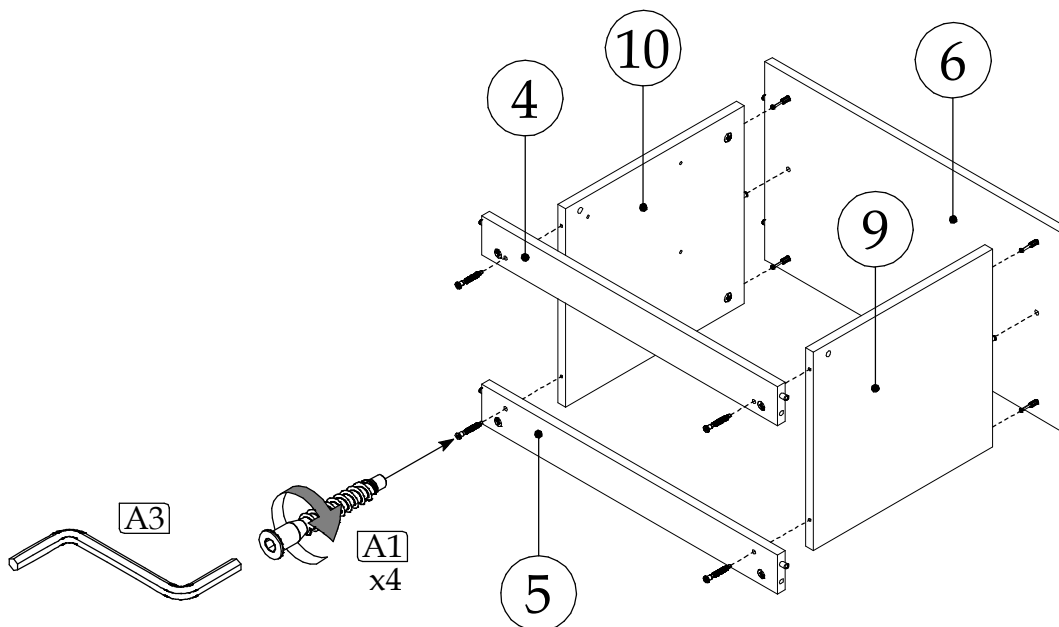
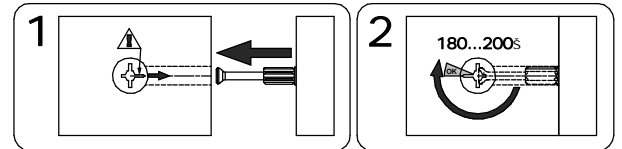
14 x2

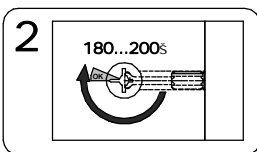
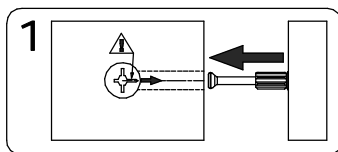
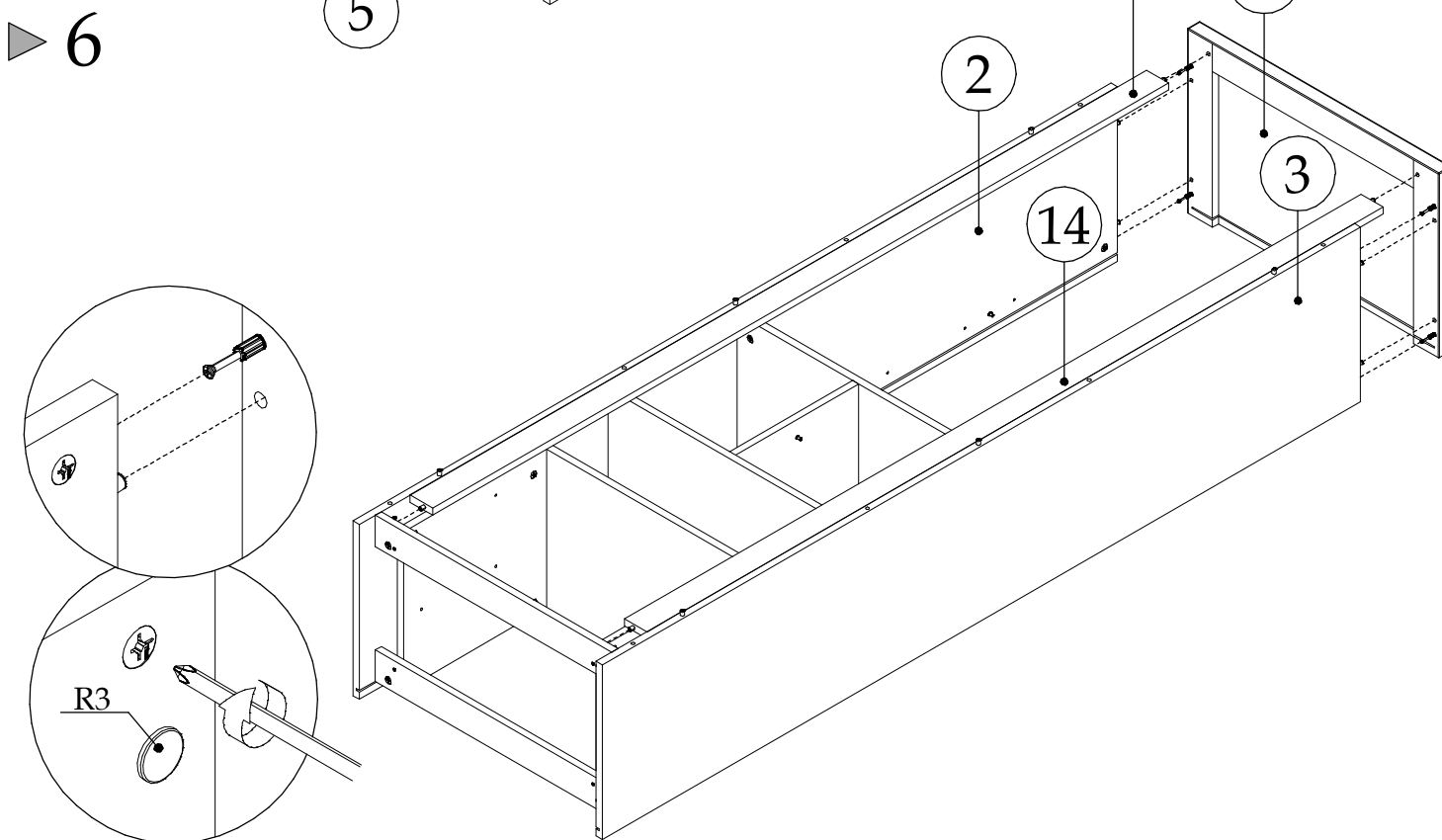
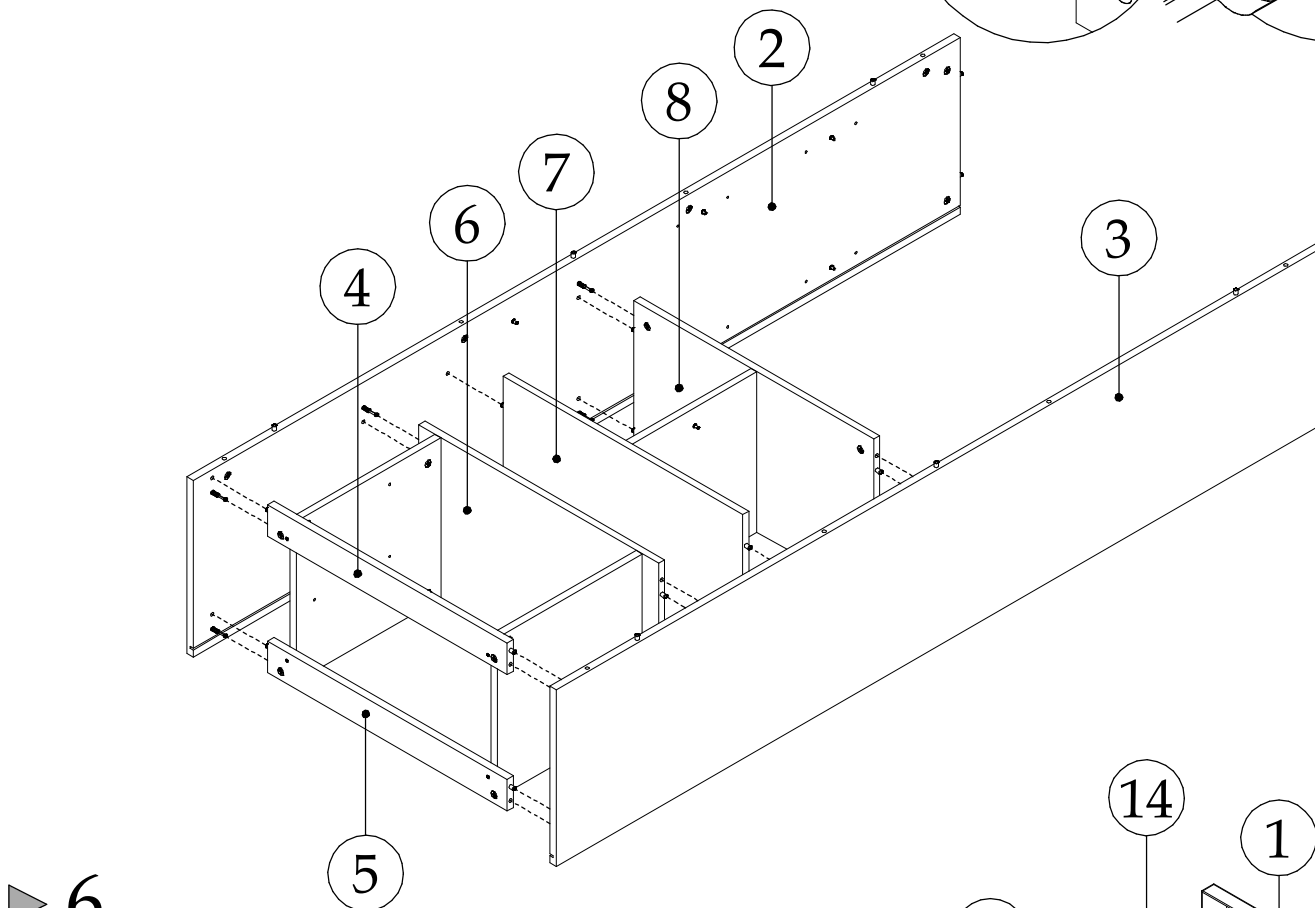
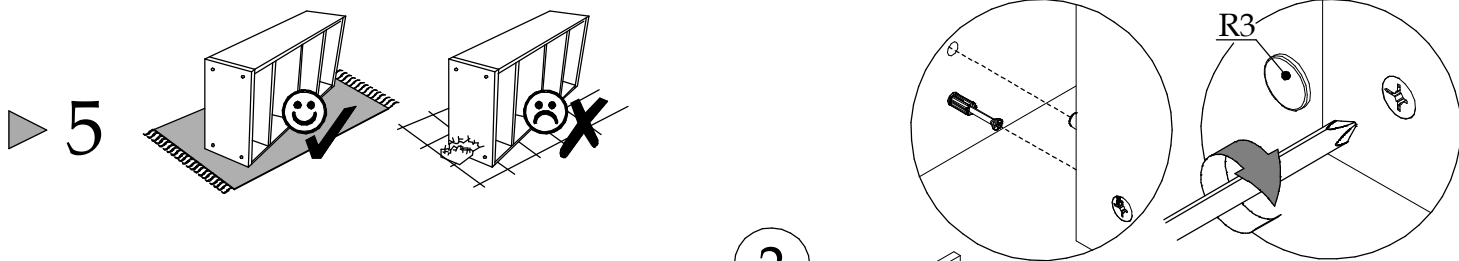
21 x2

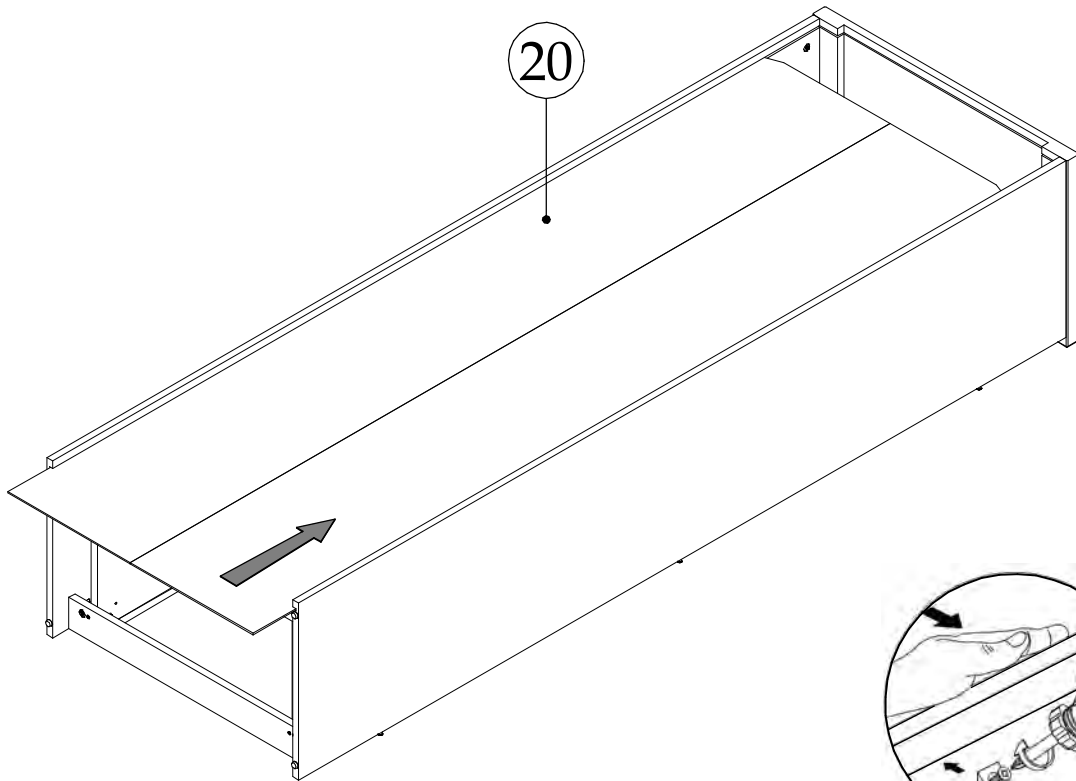
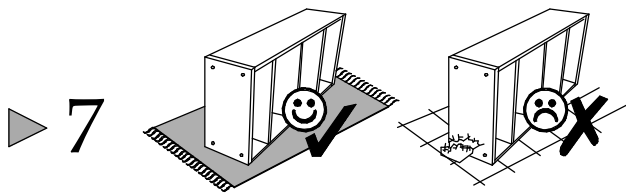




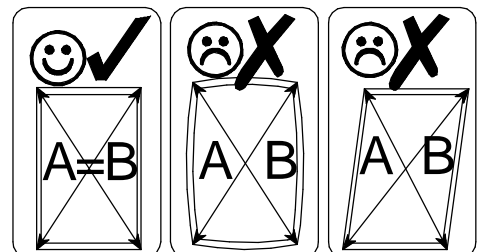
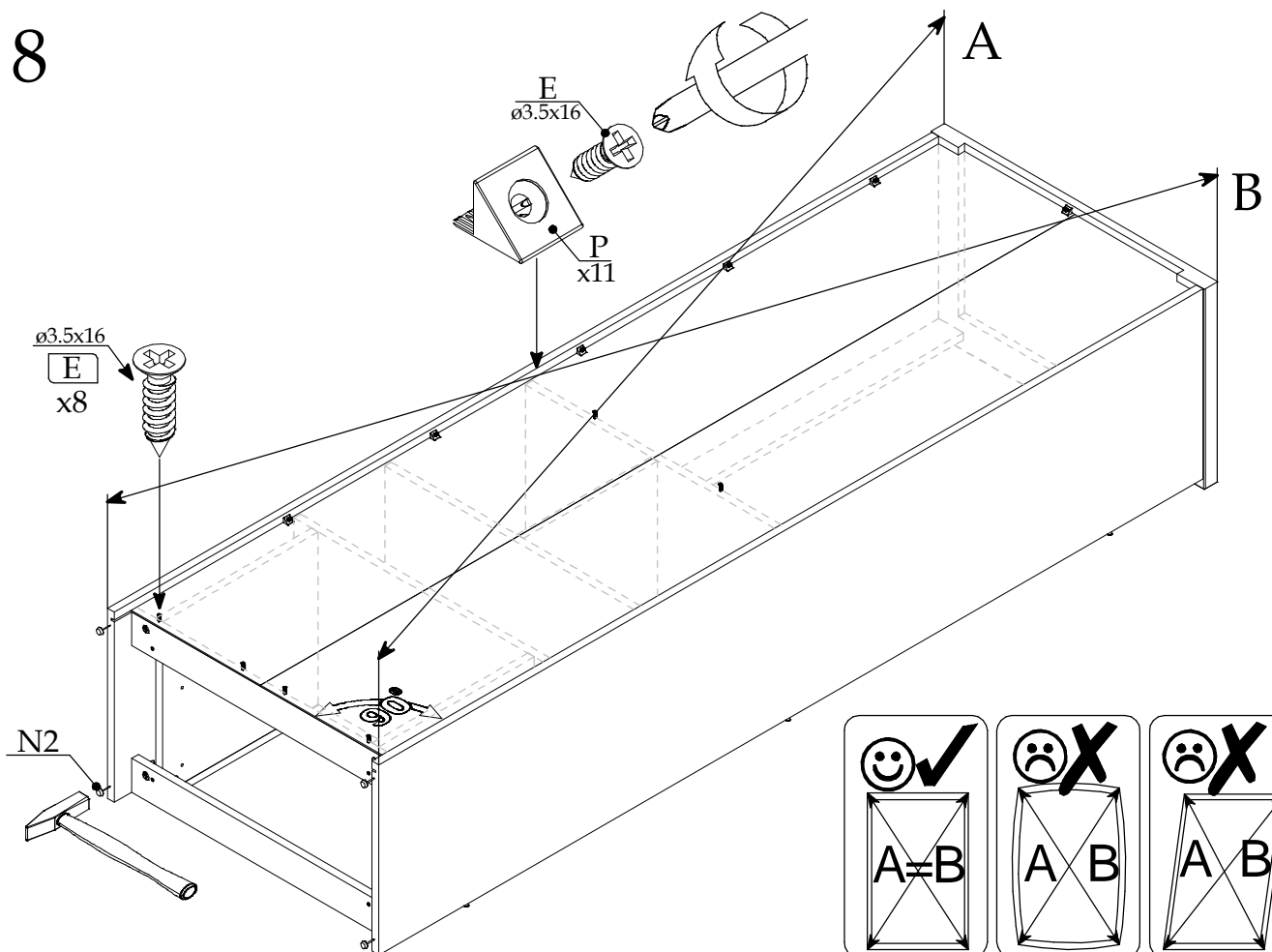
▶ 4





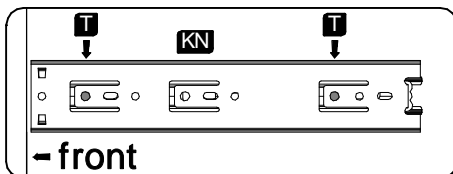
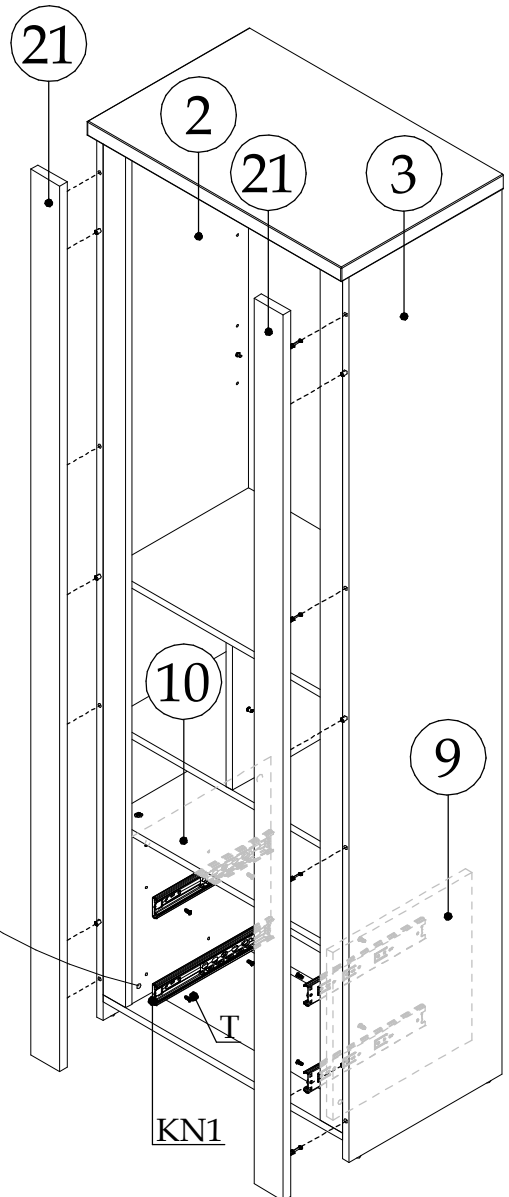
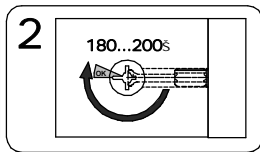
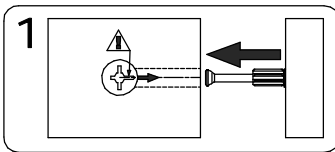
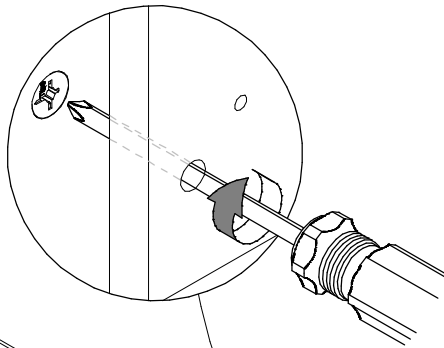
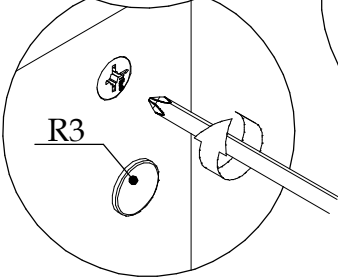
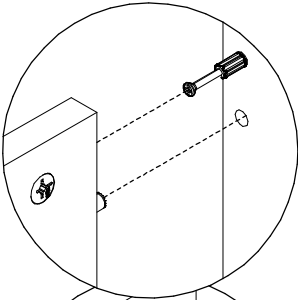
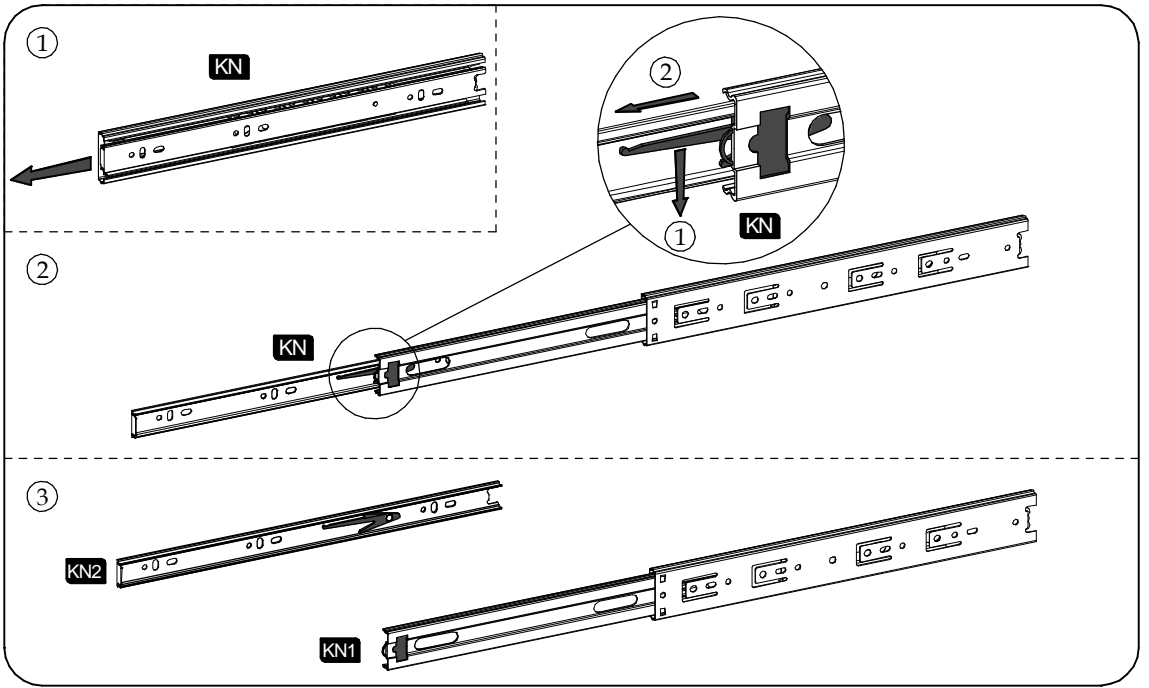
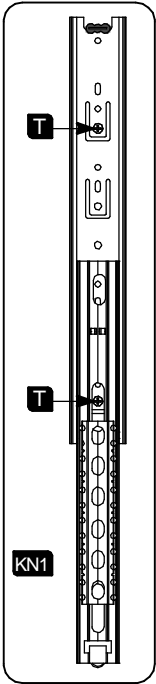


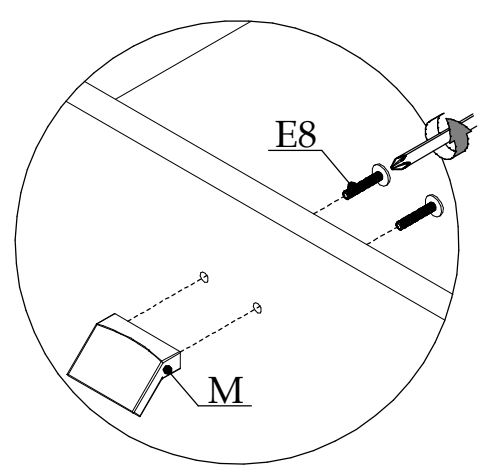
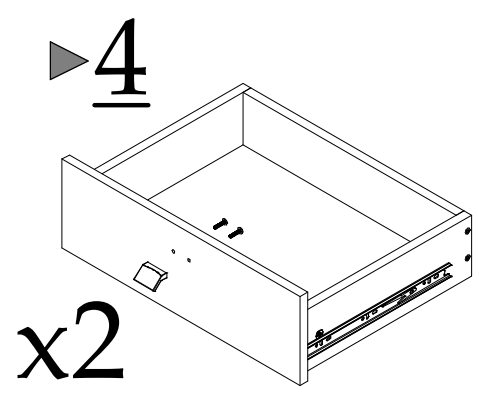
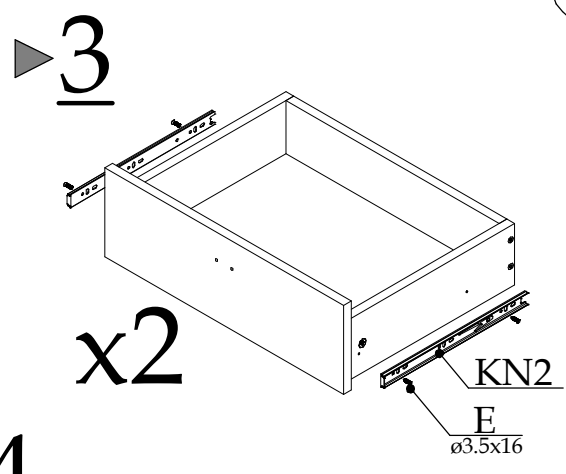
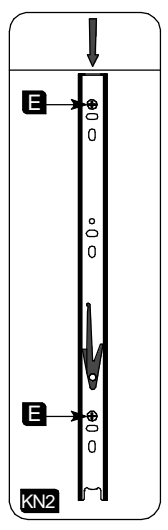
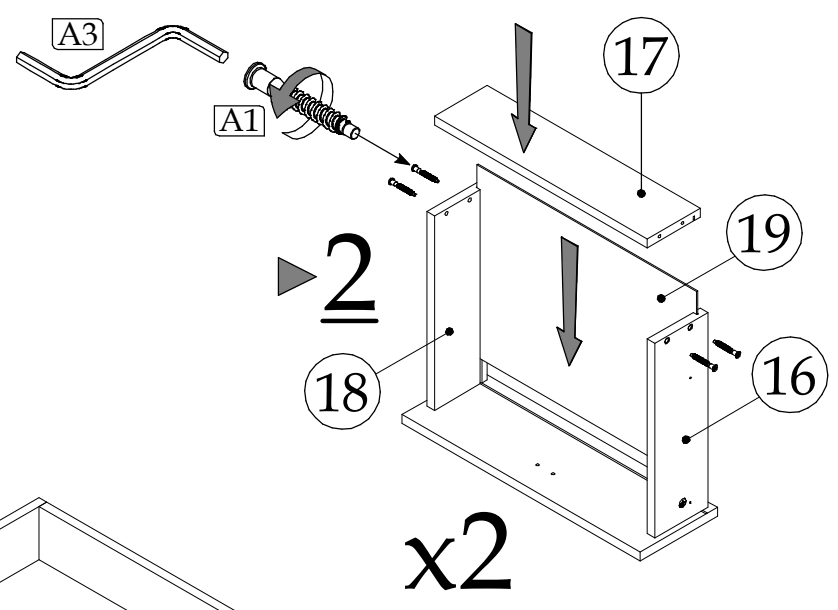
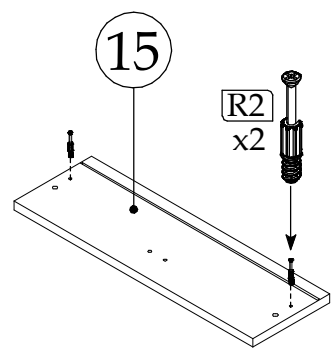
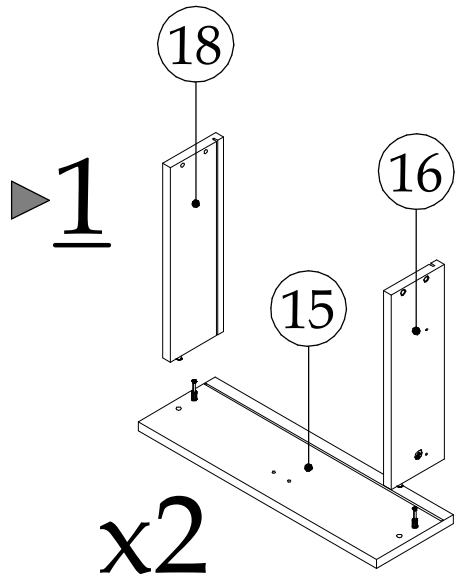
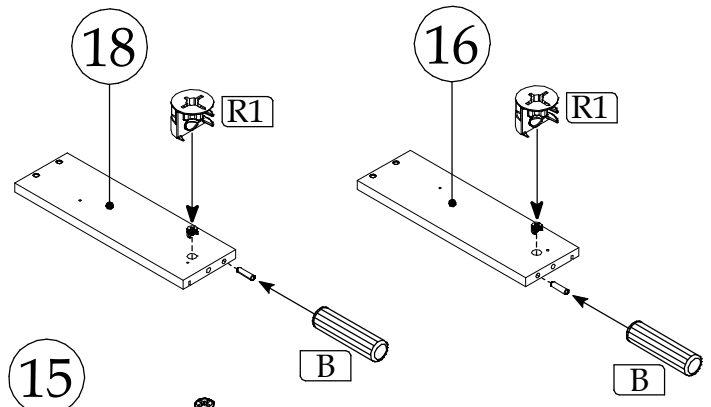
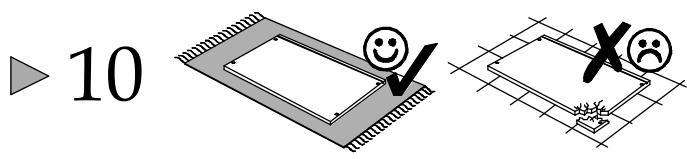
▶ 8



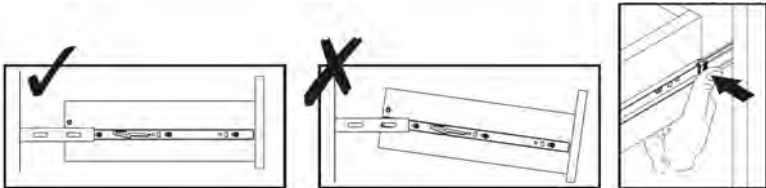
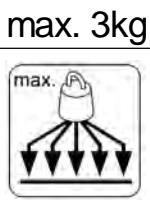
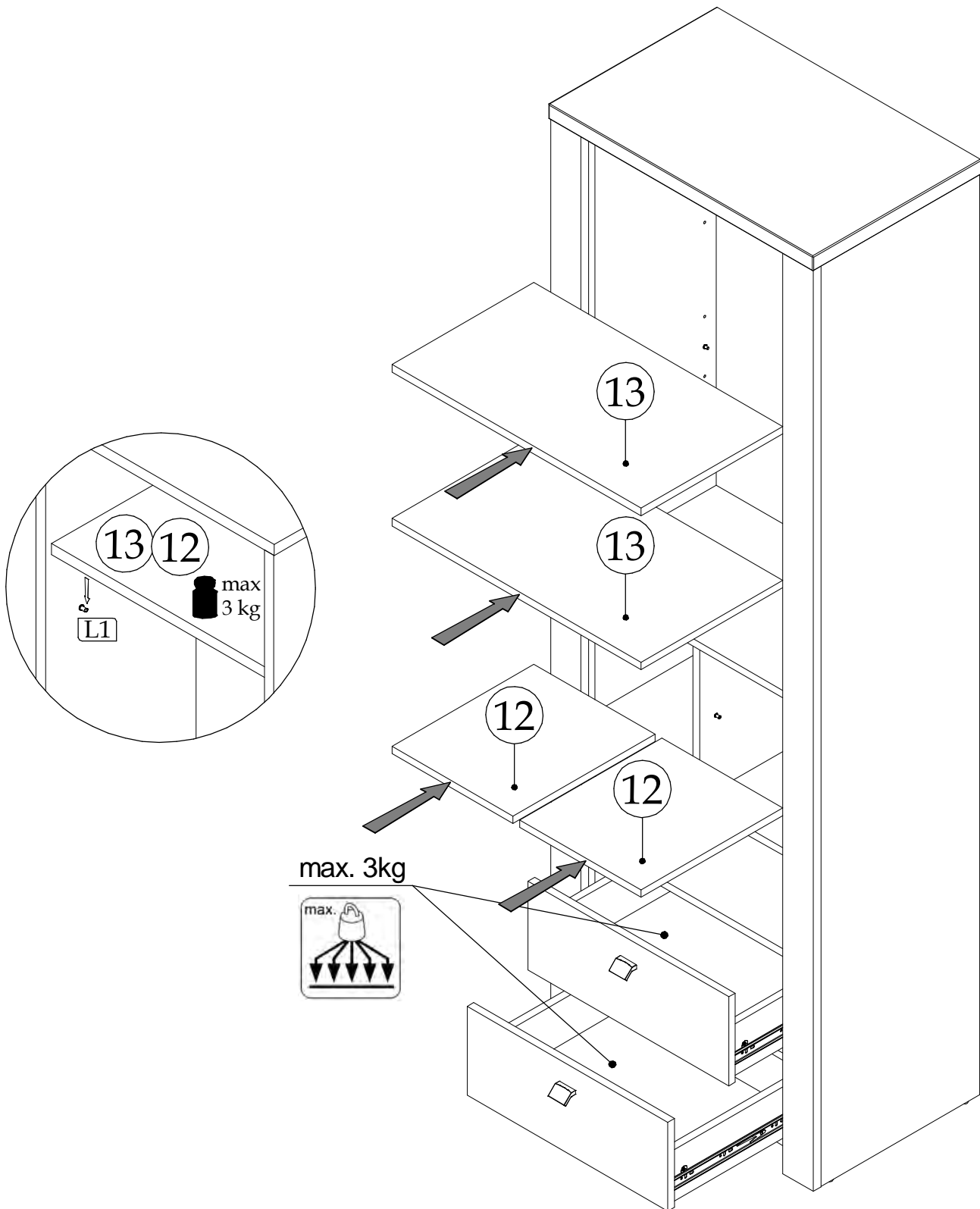


▶ 9





► 11



▶ 12

