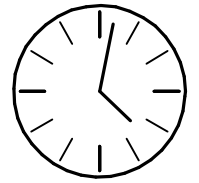
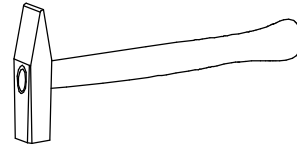
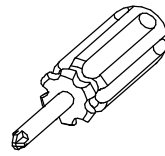
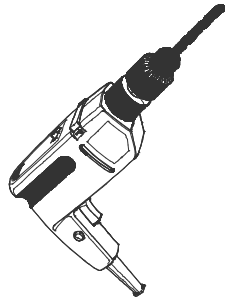
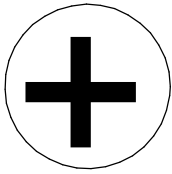
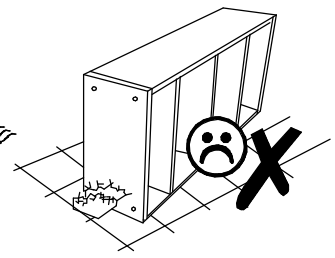
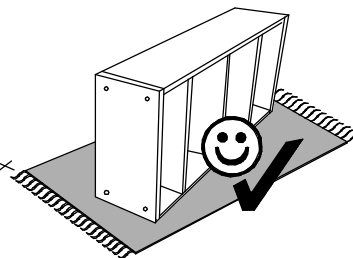
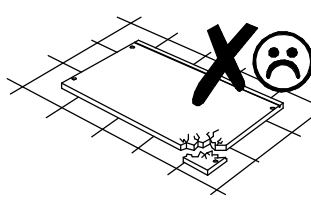
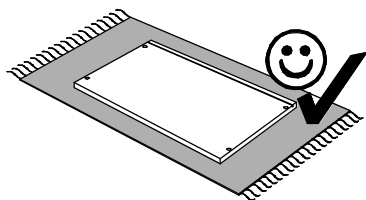
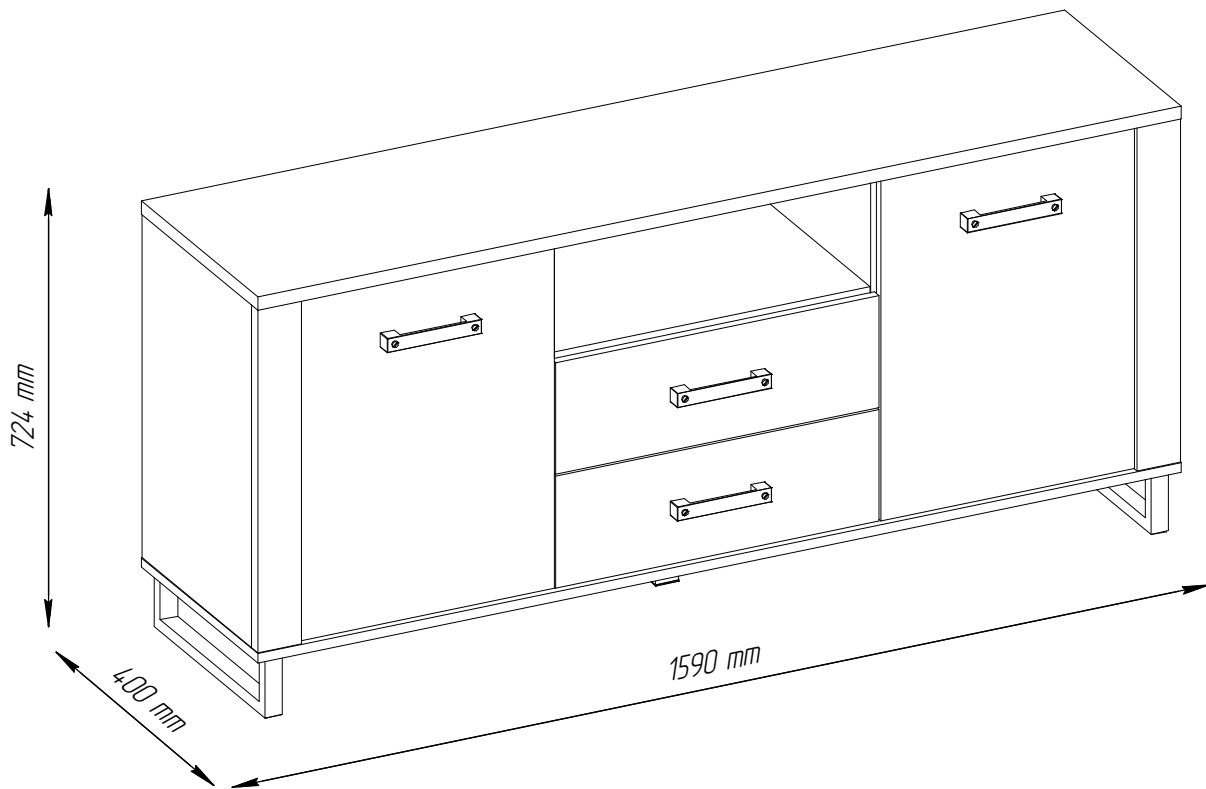
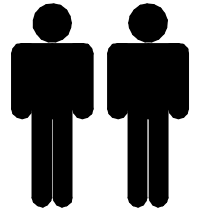
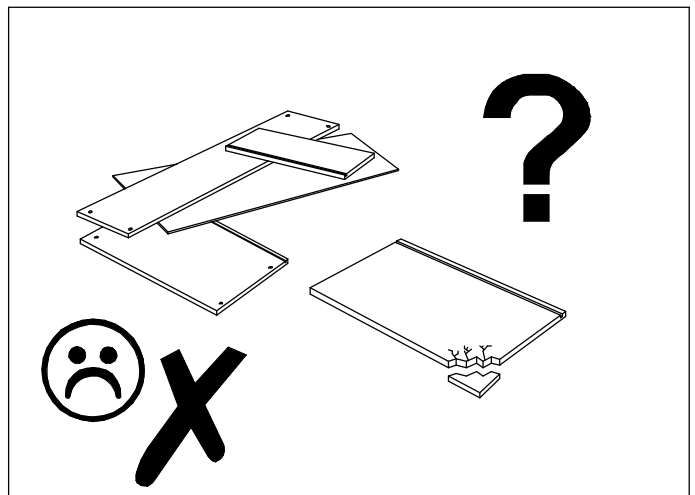
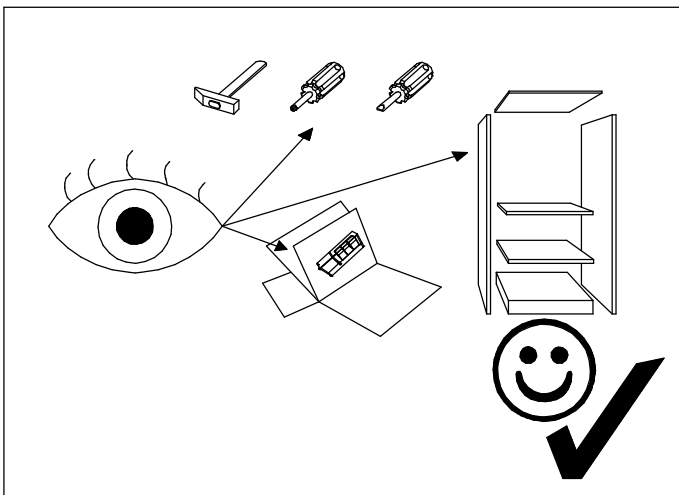
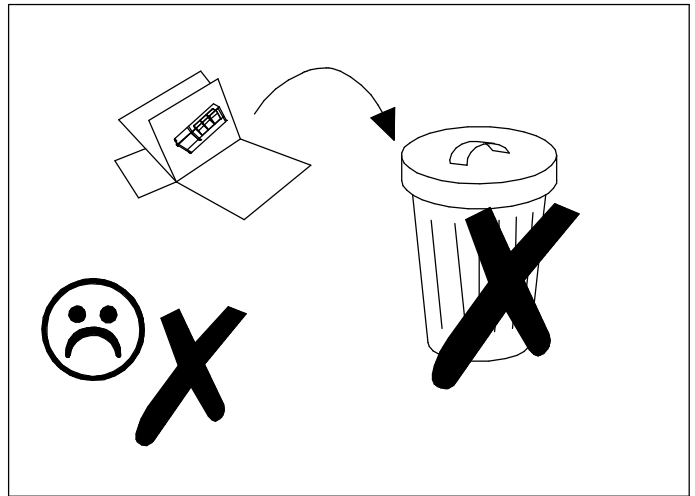
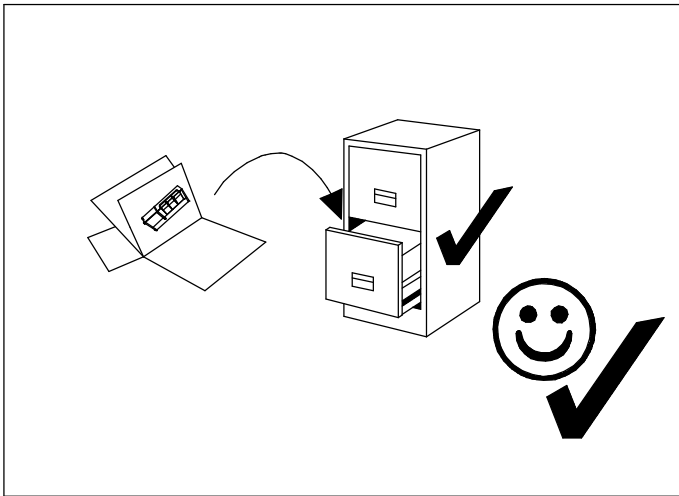
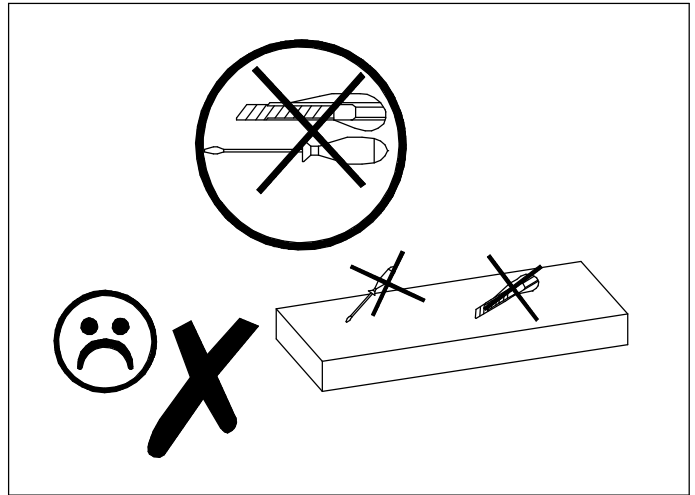
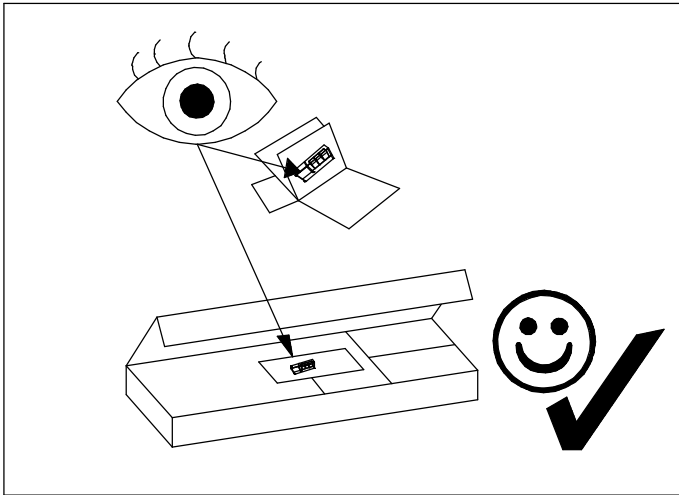


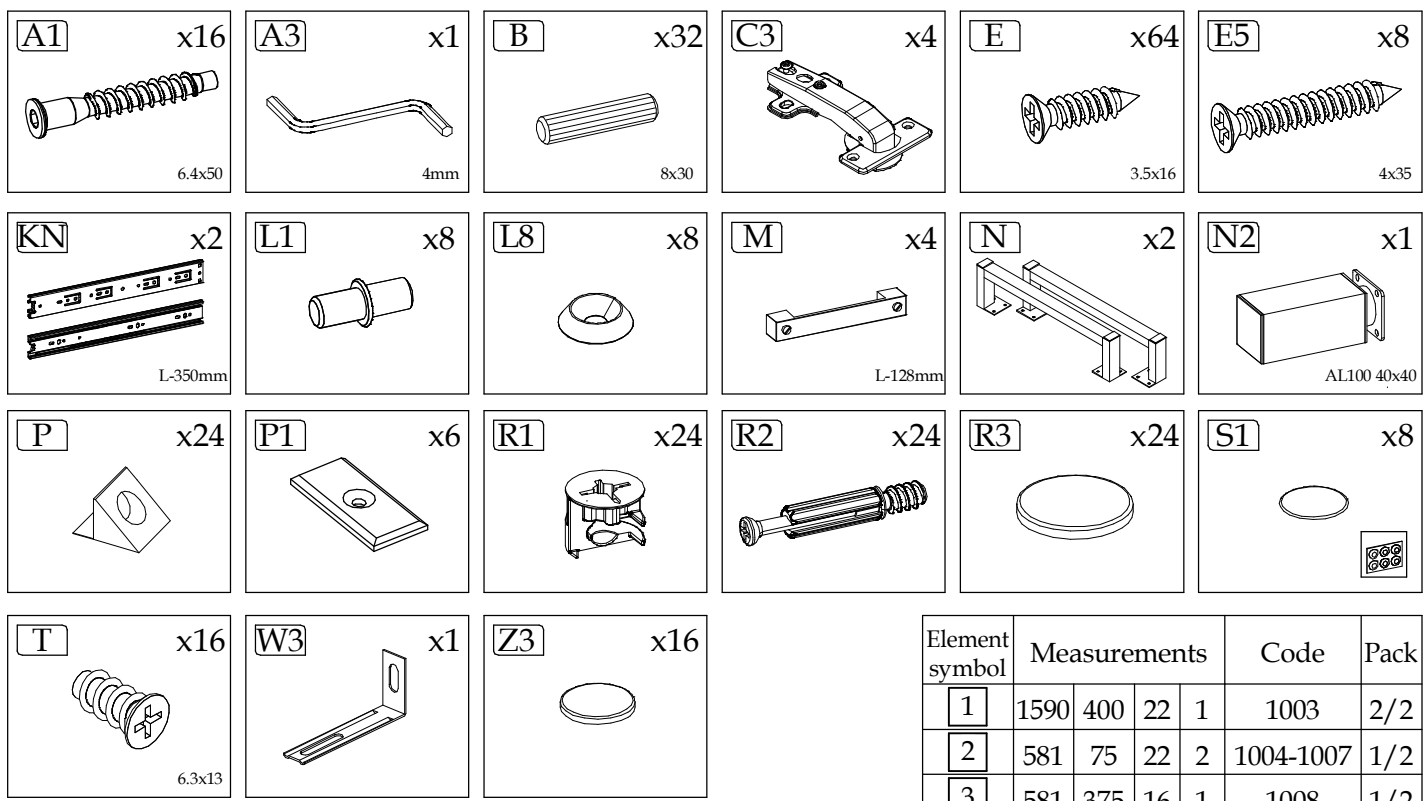
LEEDS B



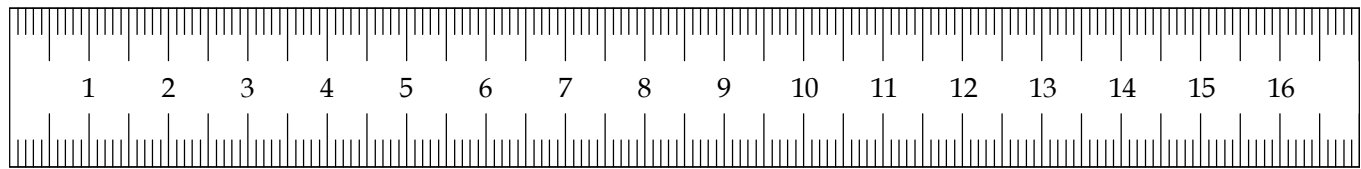
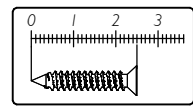
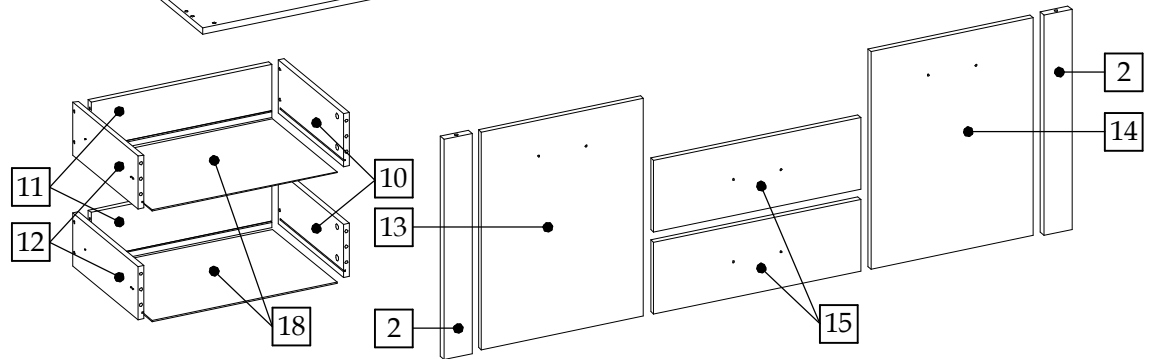
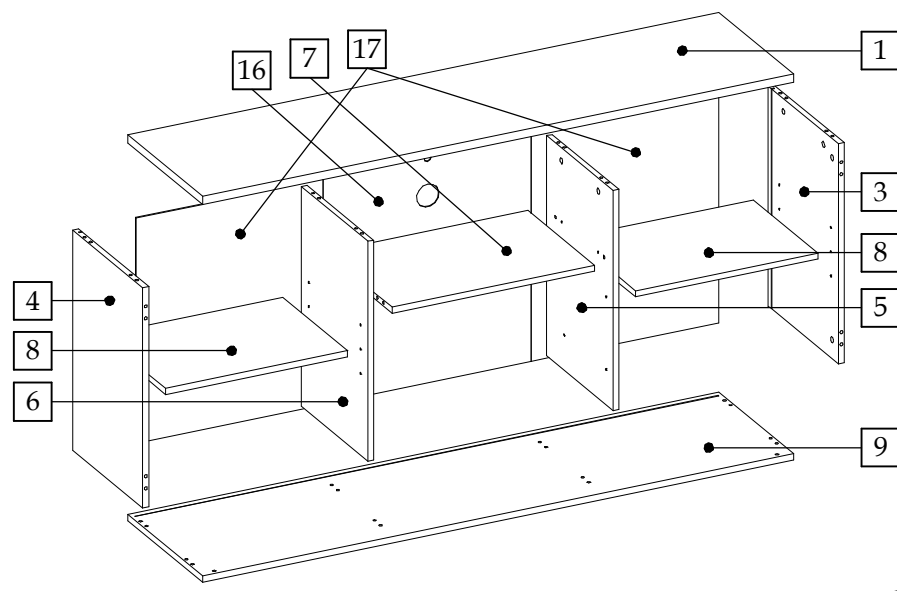
100 min

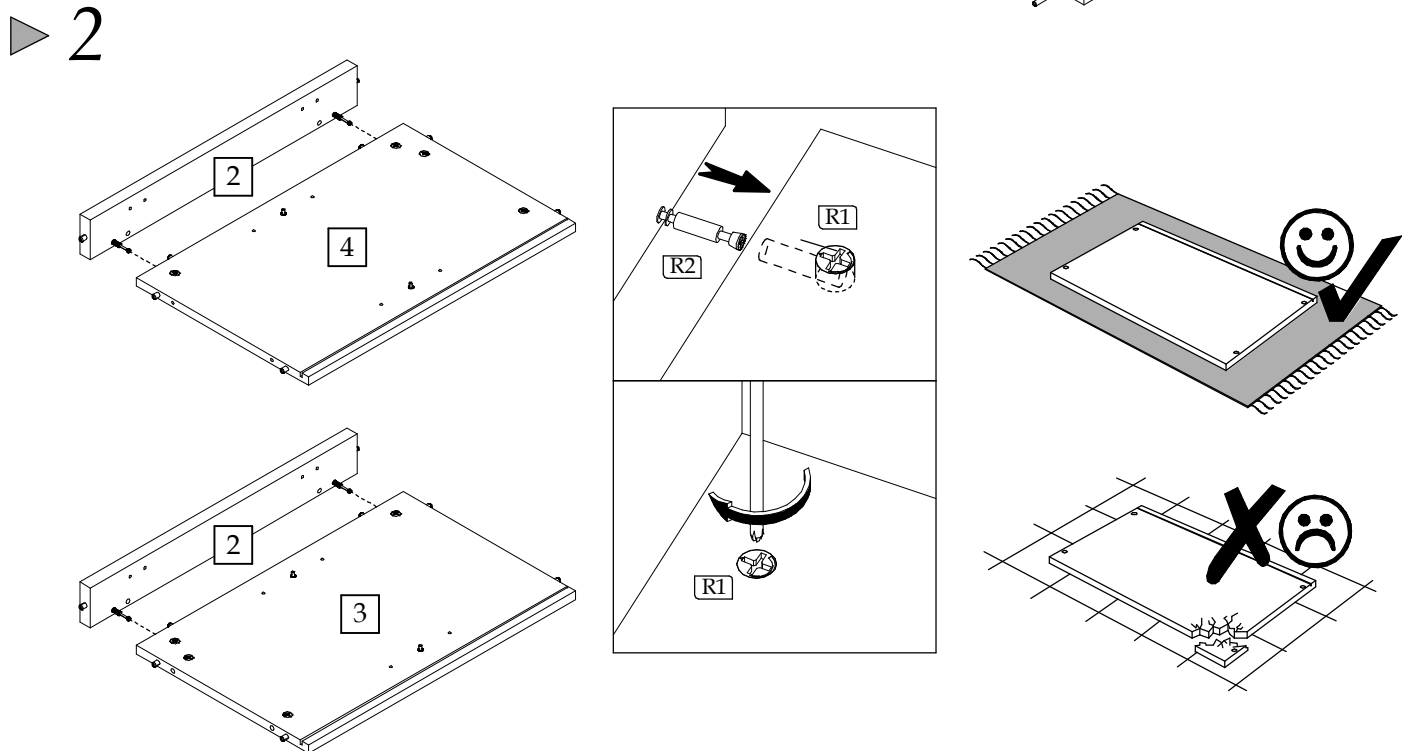
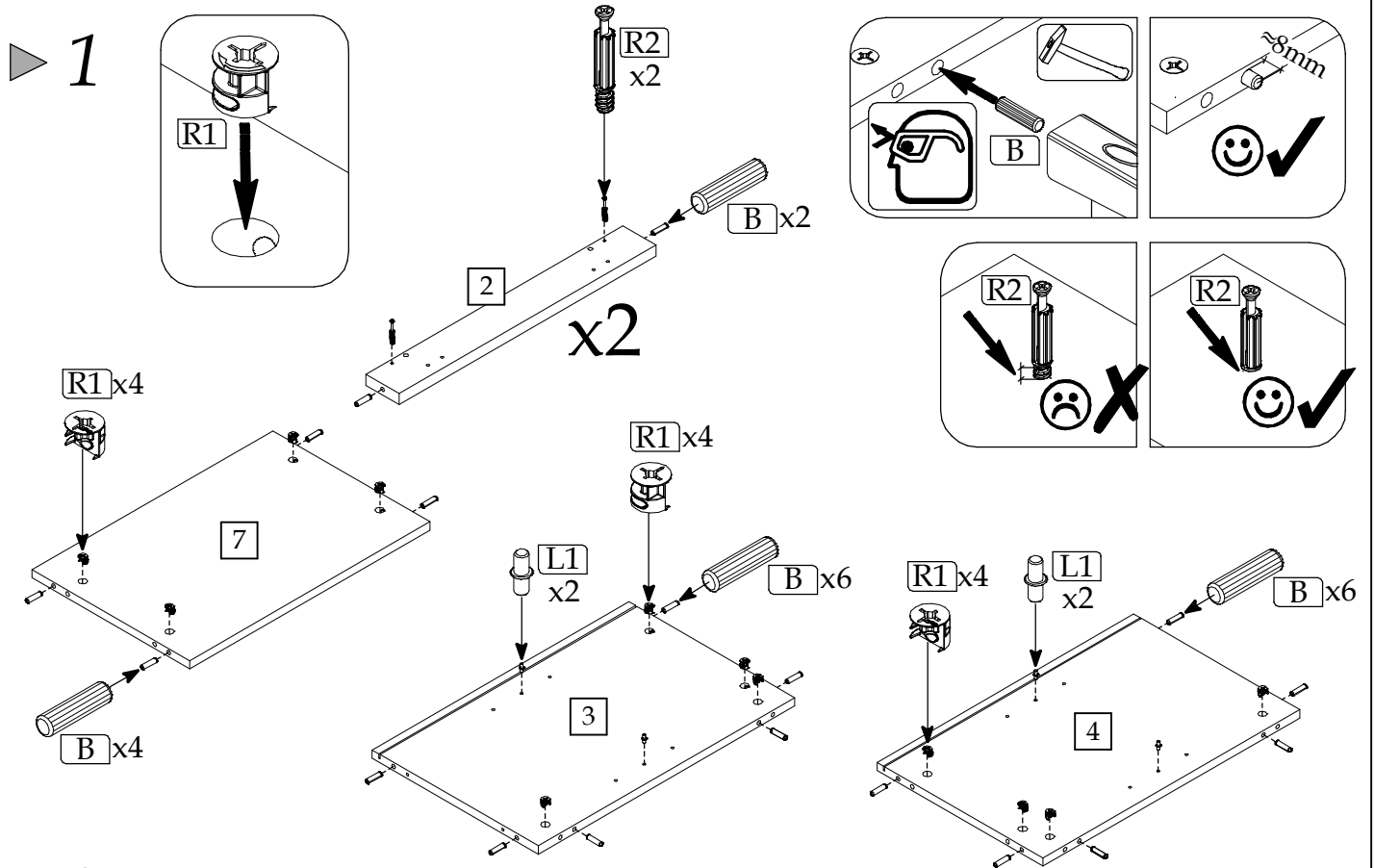
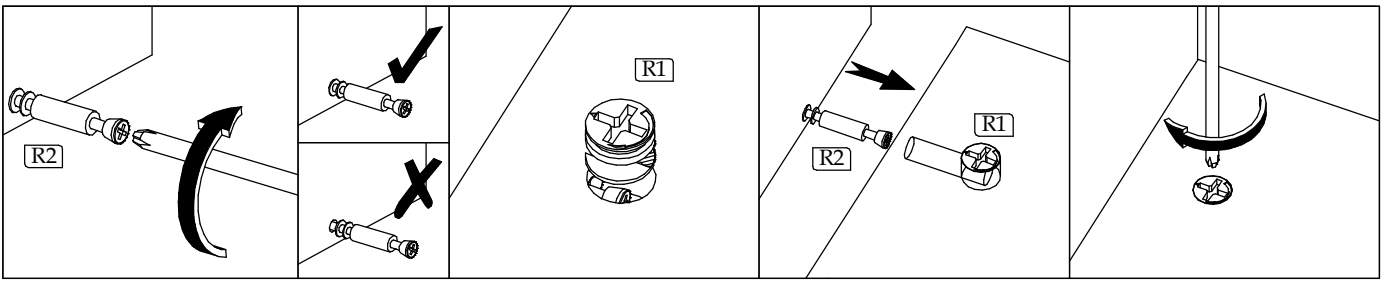




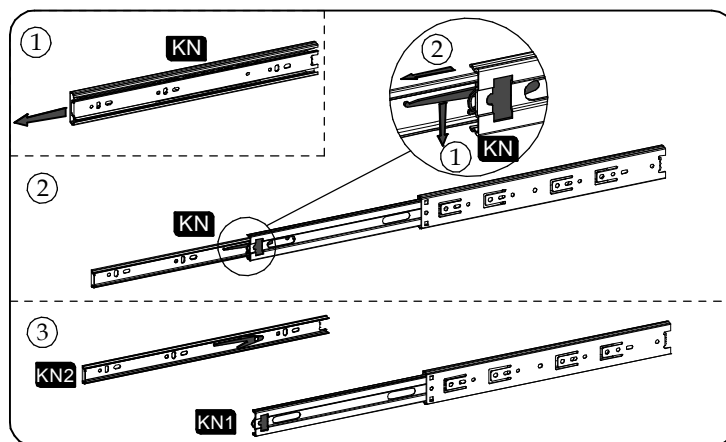
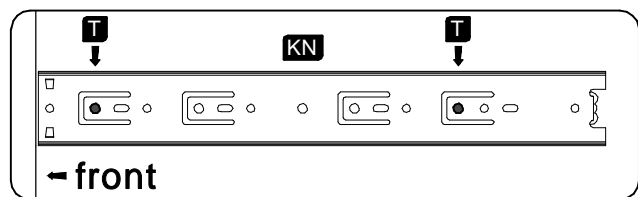
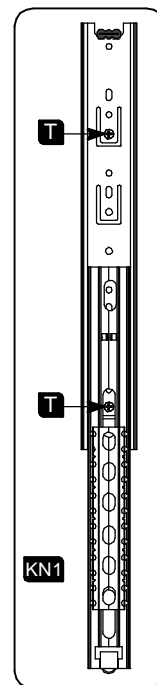
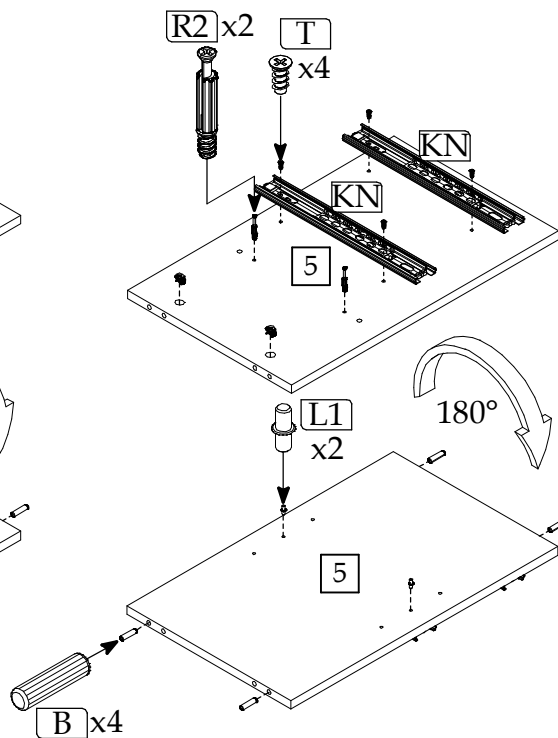
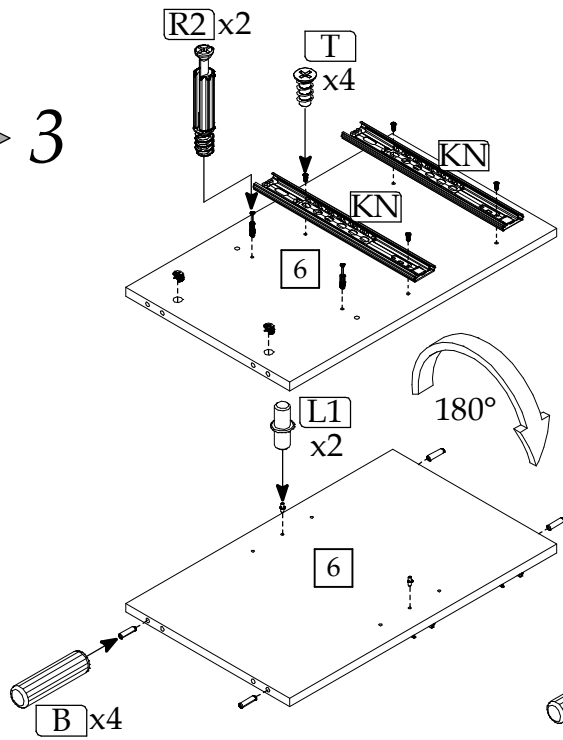


Element symbol	Measurements				Code	Pack
	1	2	3	4		
1	1590	400	22	1	1003	2/2
2	581	75	22	2	1004-1007	1/2
3	581	375	16	1	1008	1/2
4	581	375	16	1	1009	1/2
5	581	357	16	1	1012_2012	1/2
6	581	357	16	1	1013_2013	1/2
7	544	356	16	1	1034	2/2
8	490	347	16	2	N/A	2/2
9	1590	400	16	1	1002_2002	2/2
10	350	140	16	2	1036-1041	2/2
11	486	139	16	2	1037-1042	2/2
12	350	140	16	2	1038-1043	2/2
13	436	575	16	1	1005	1/2
14	436	575	16	1	1006	1/2
15	557	189	16	2	1035-1040	1/2
16	595	560	3	1	1060_v	1/2
17	595	504	3	2	N/A	1/2
18	496	344	3	2	N/A	2/2

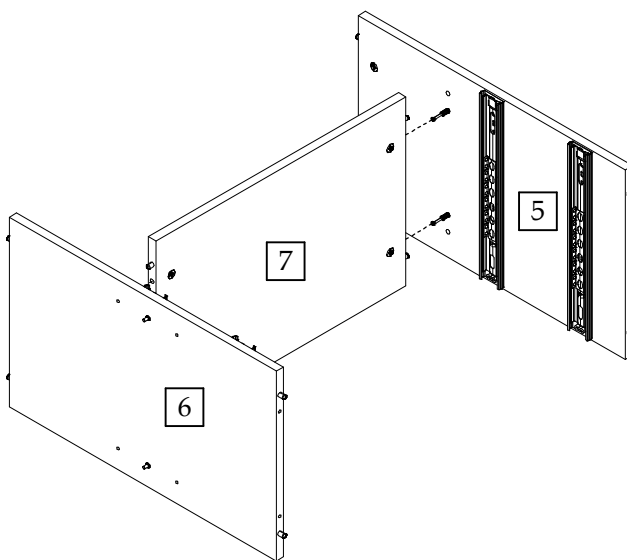
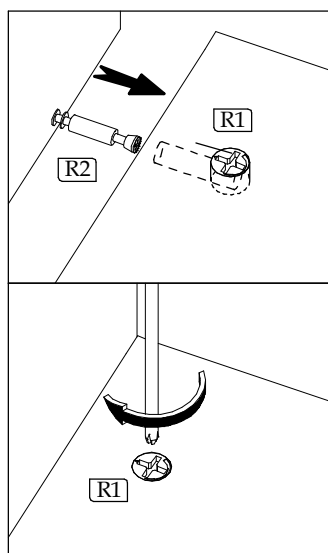




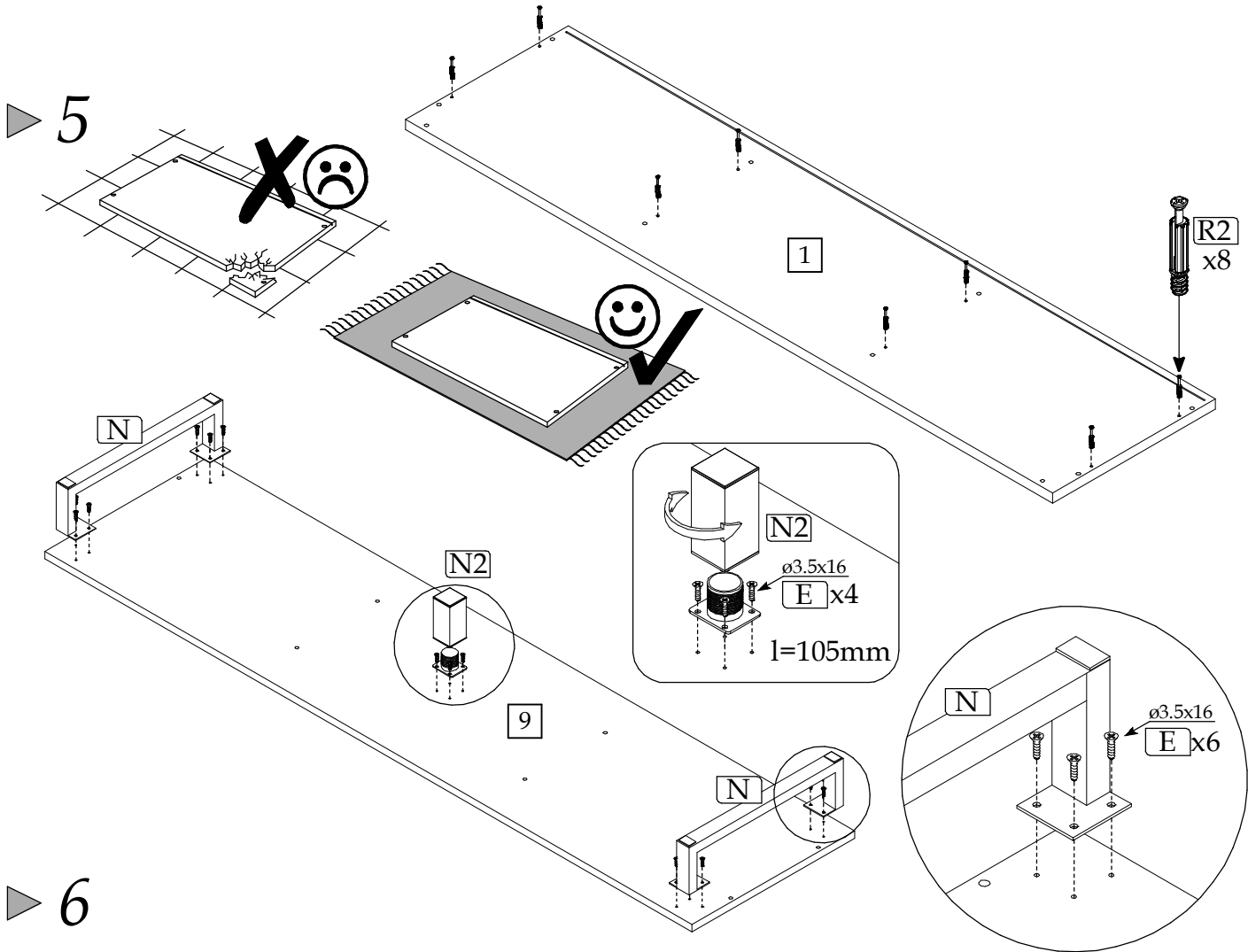
▶ 3



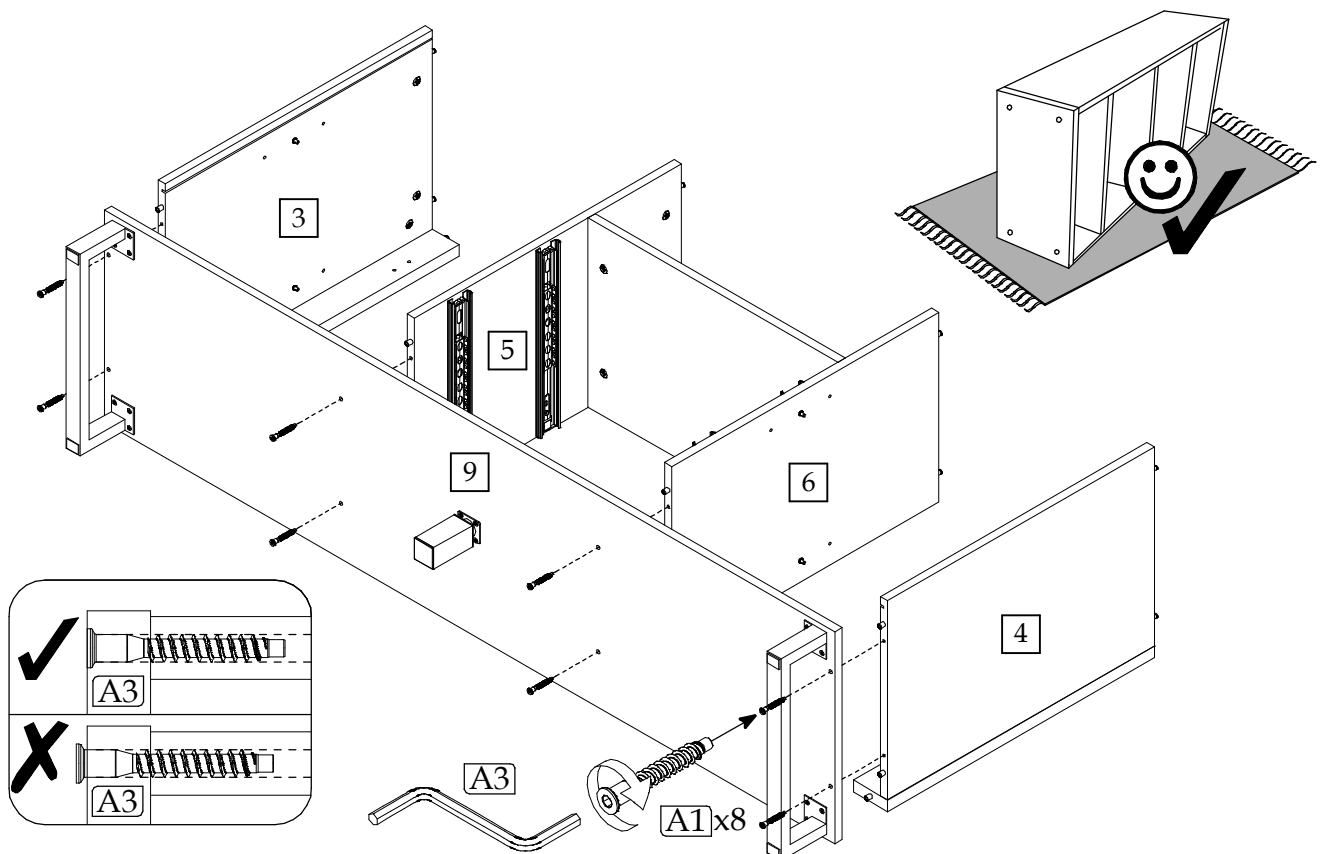
▶ 4



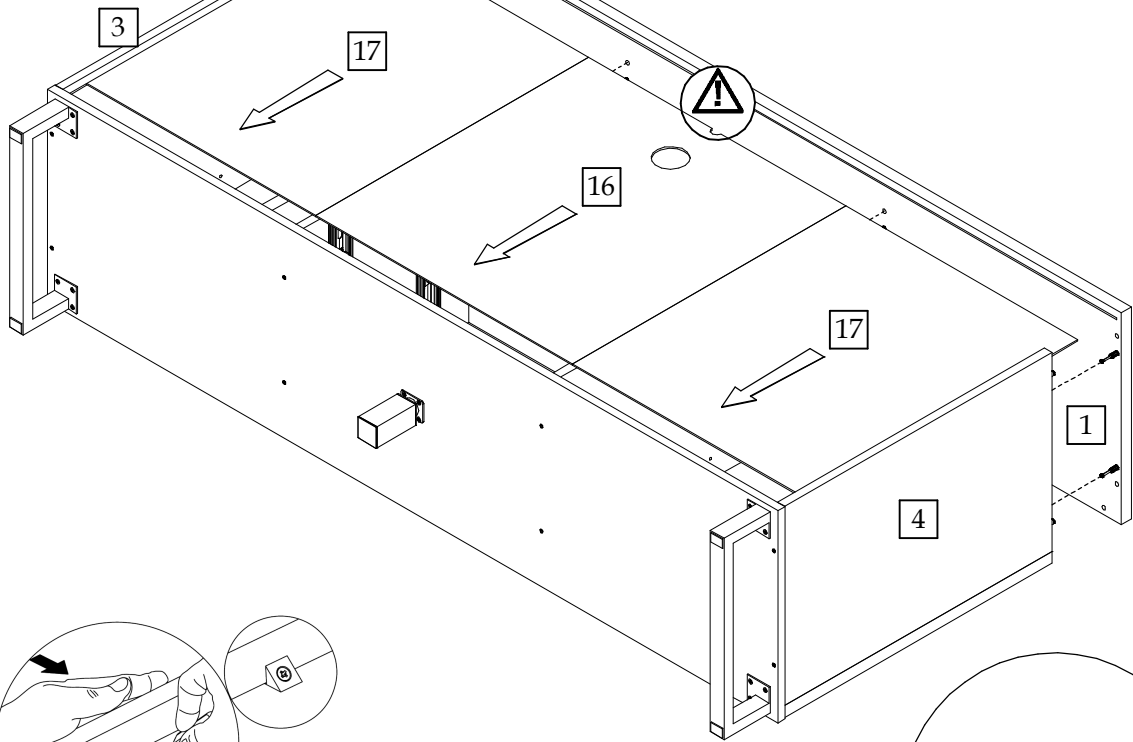
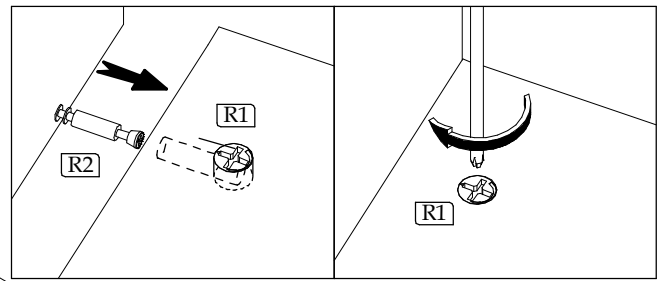
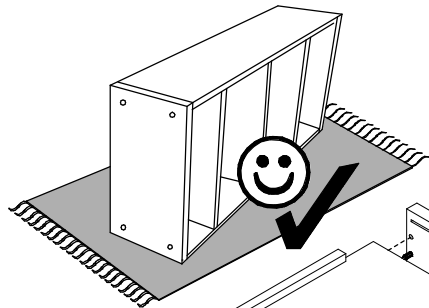
▶ 5



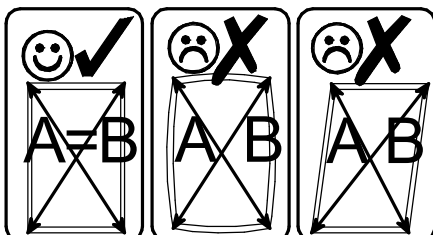
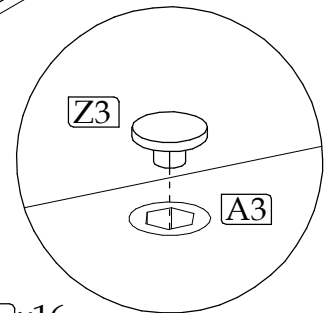
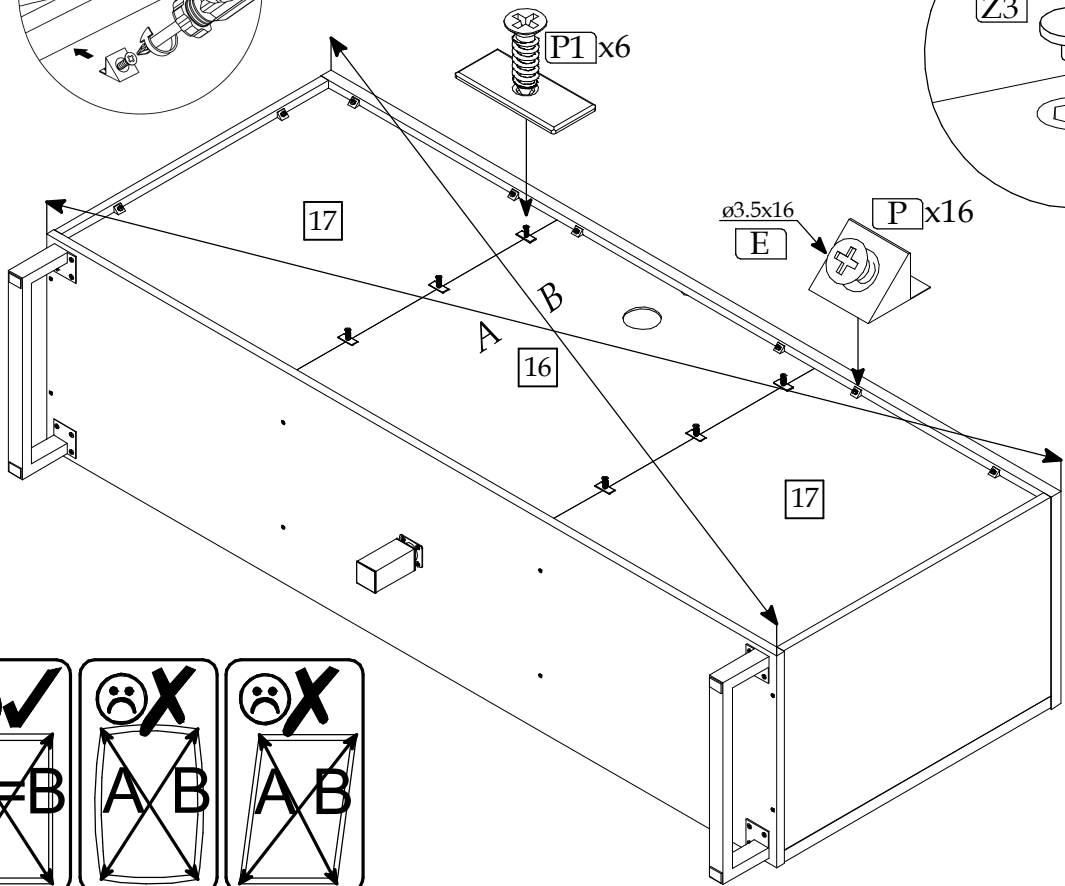
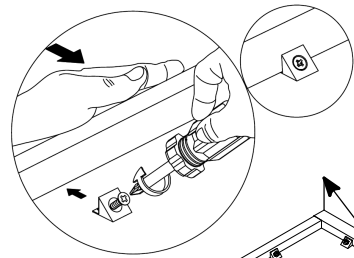
▶ 6



7

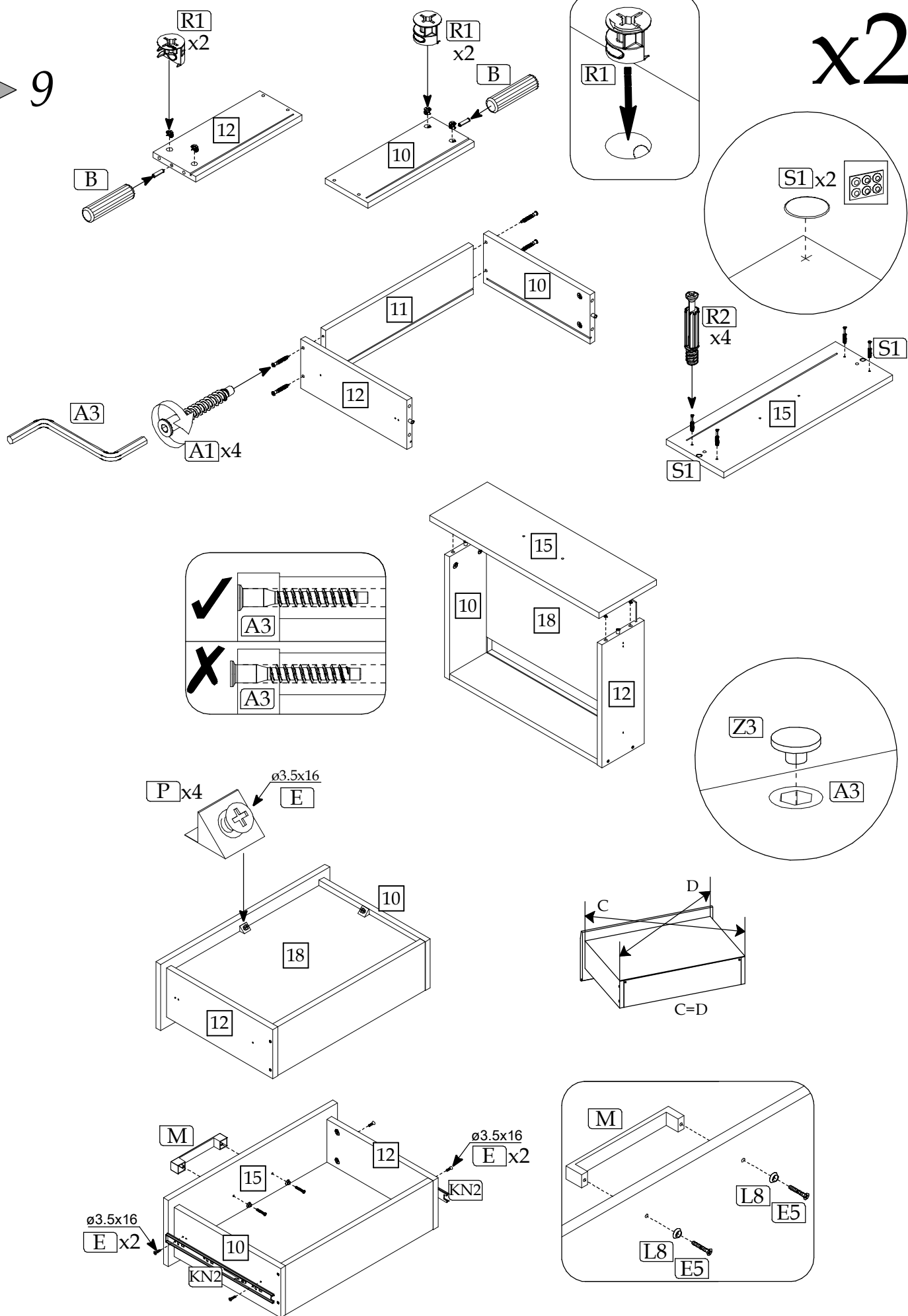


8

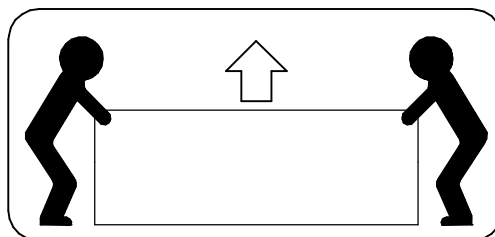
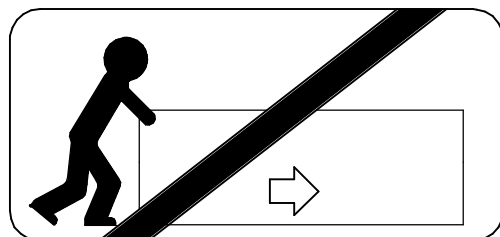
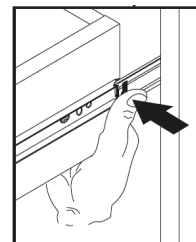
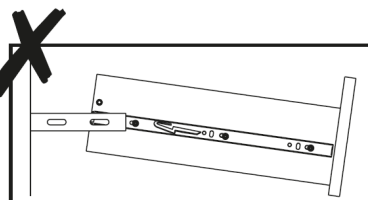
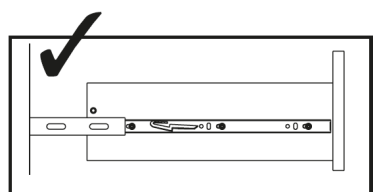
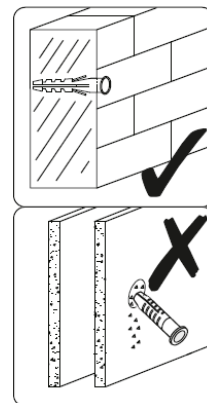
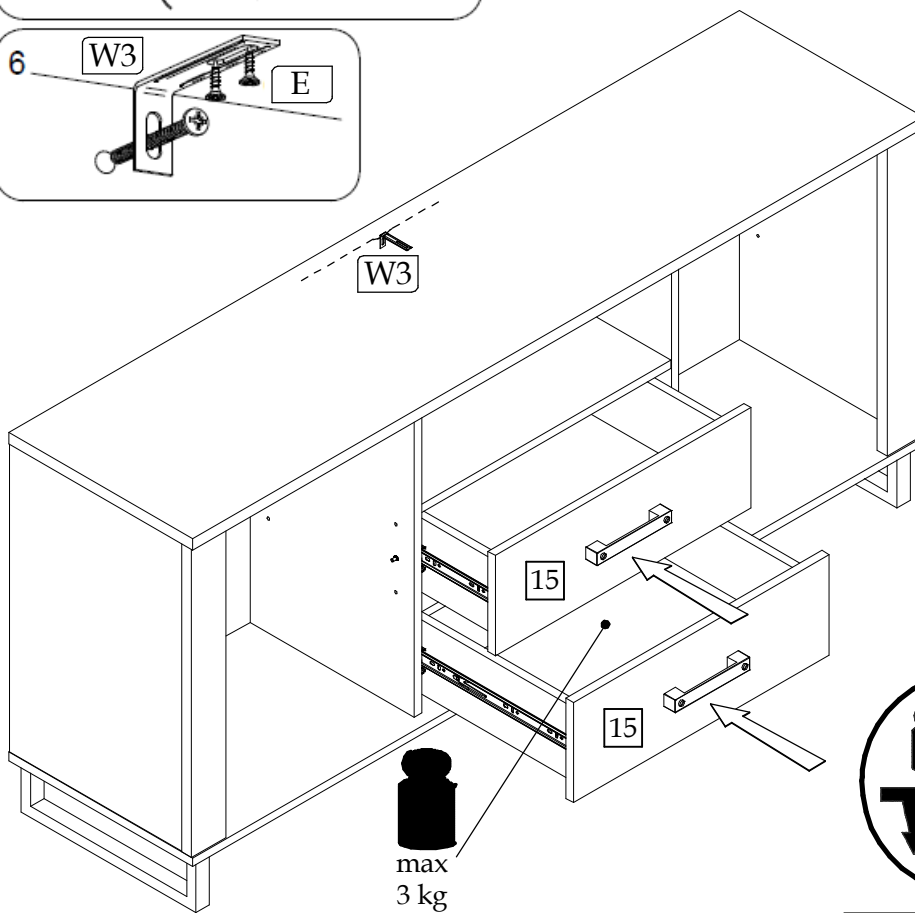
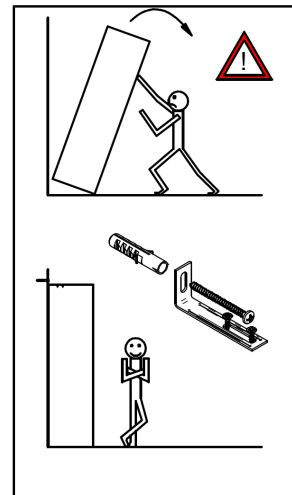
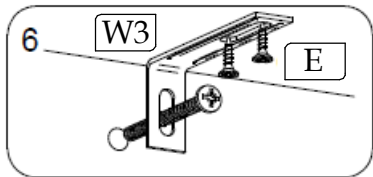
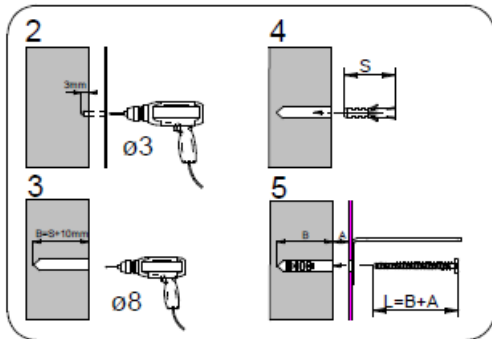
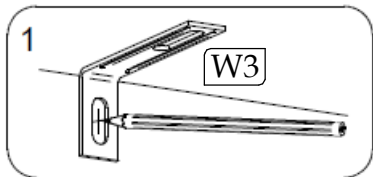


▶ 9

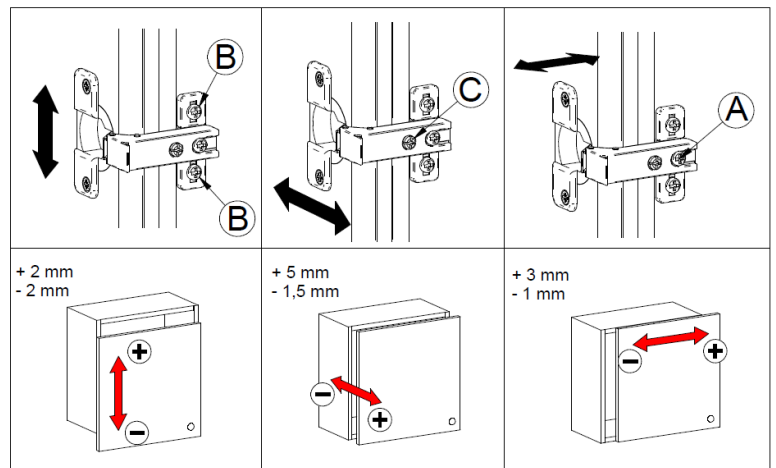
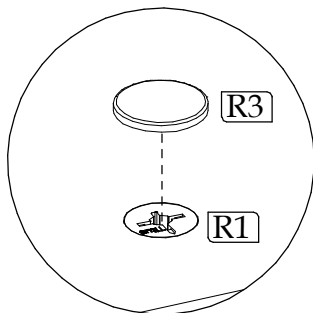
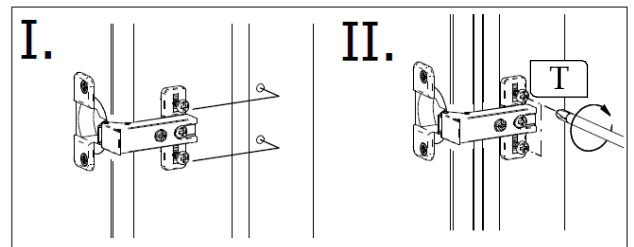
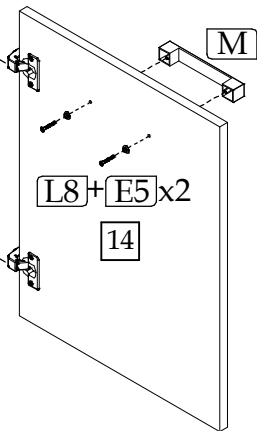
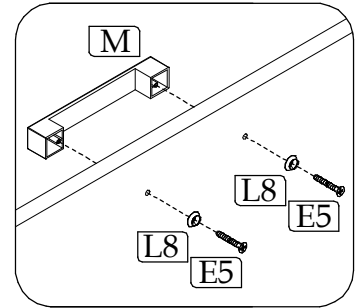
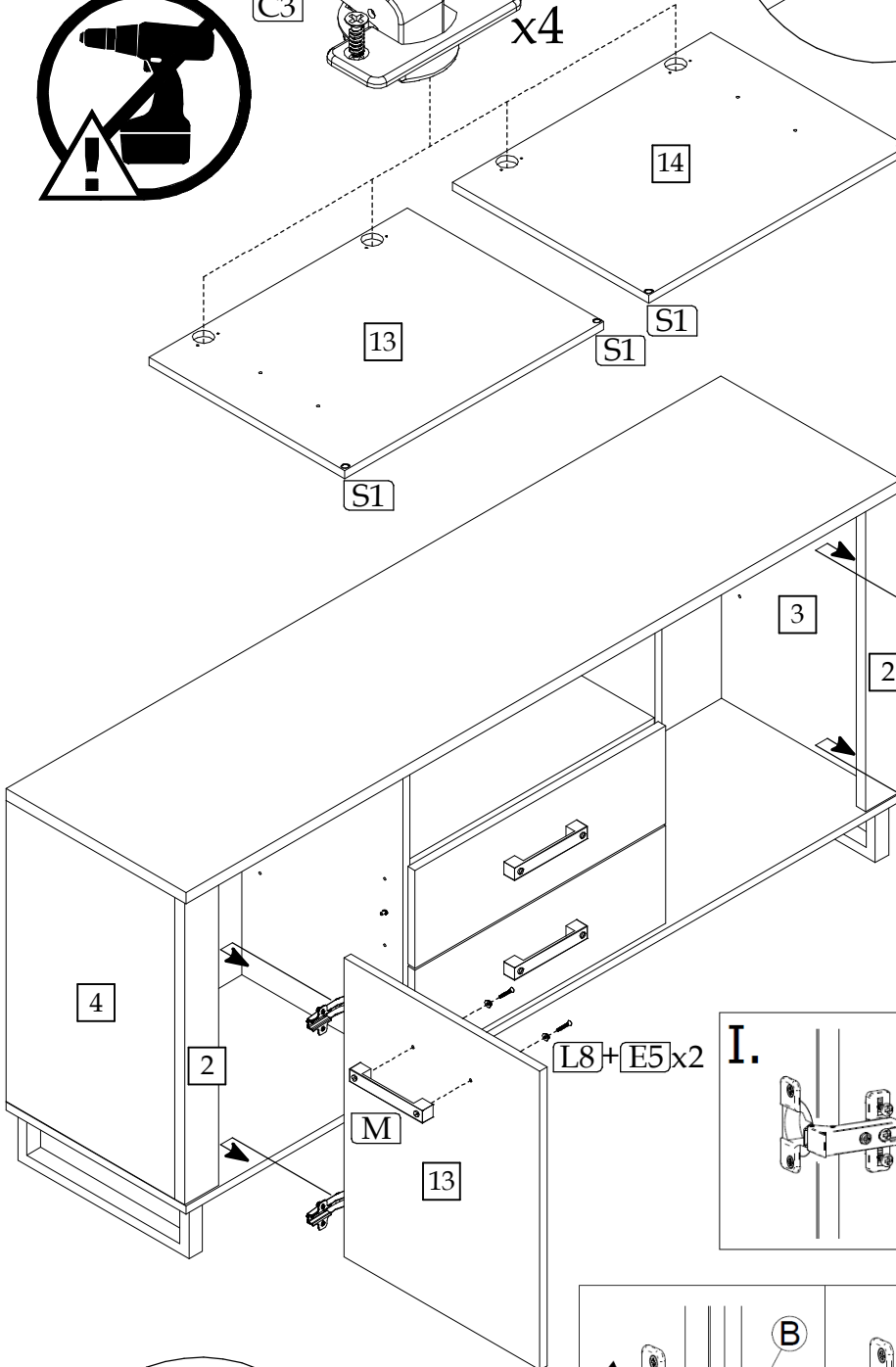
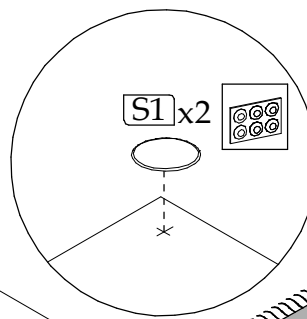
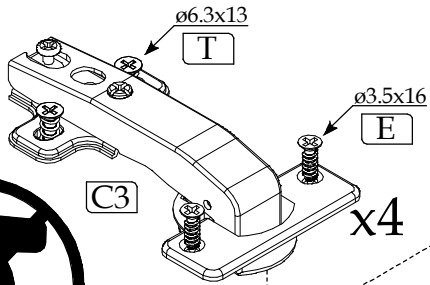
x2



► 10



▶ 11



▶ 12

