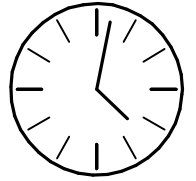
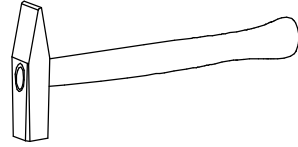
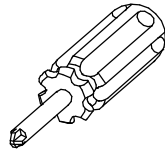
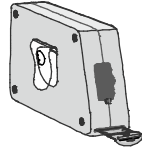
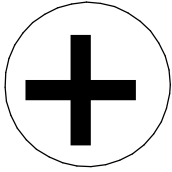
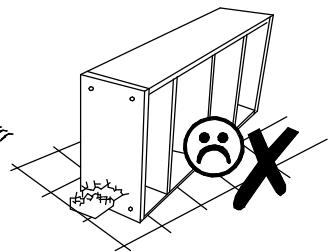
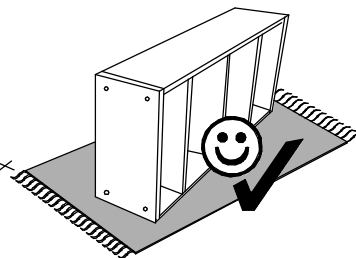
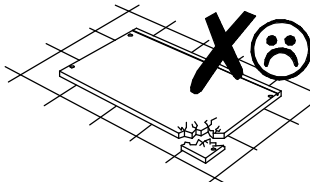
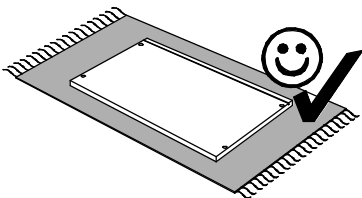
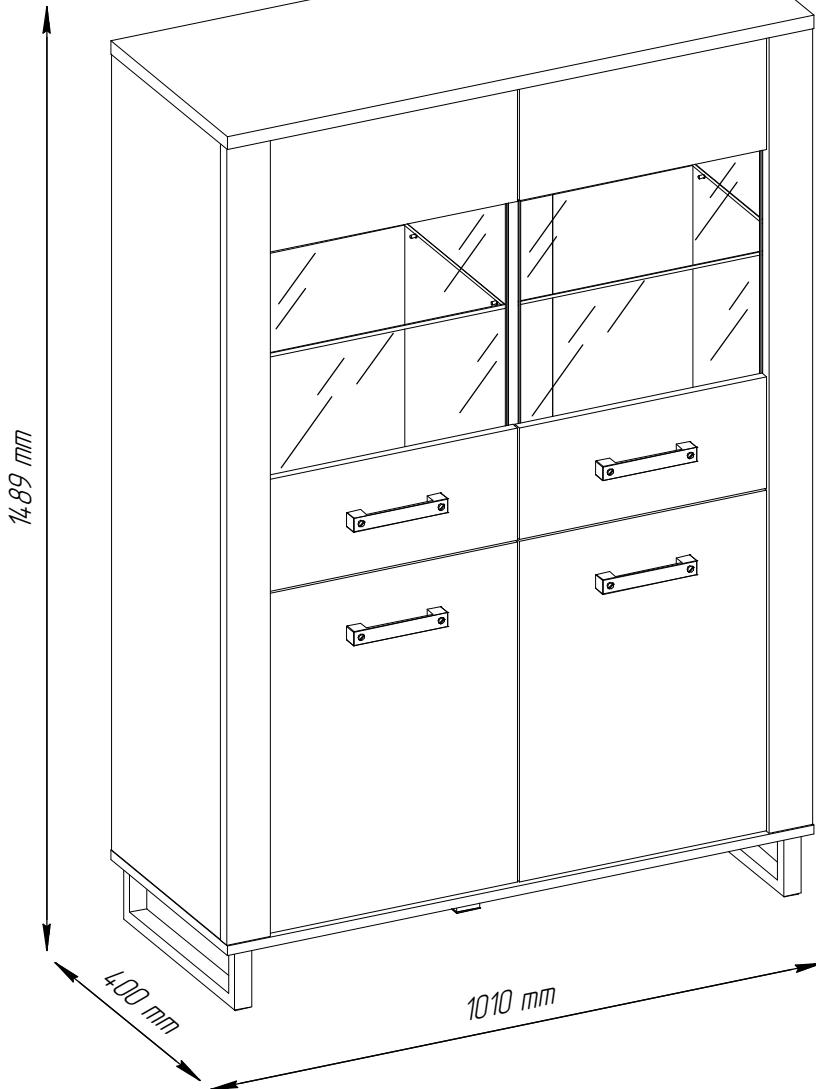
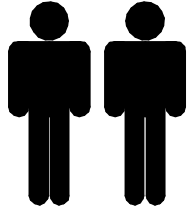
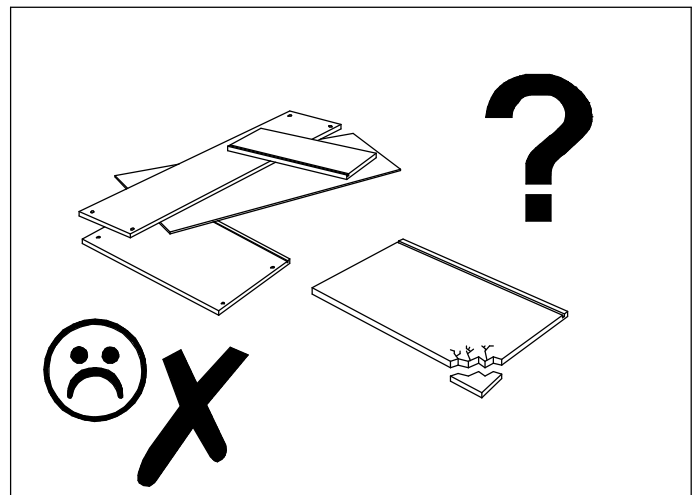
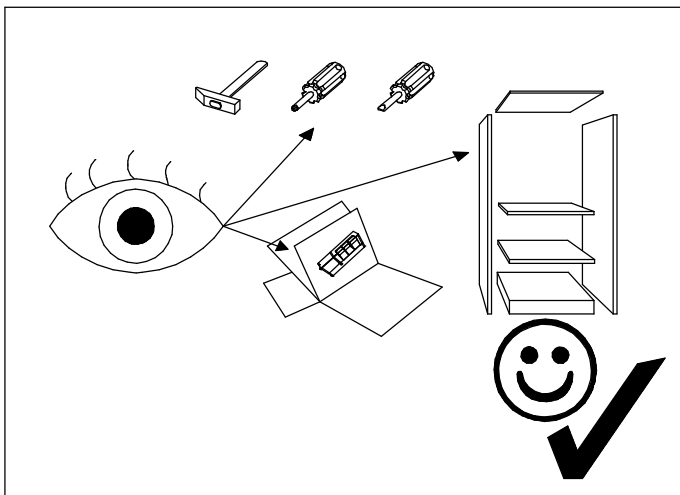
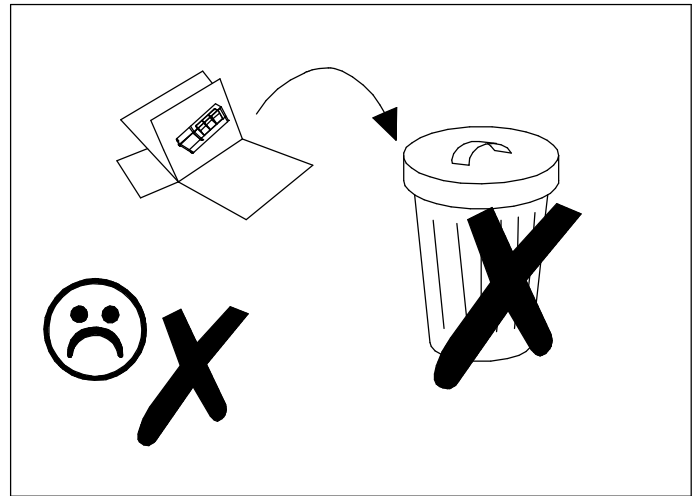
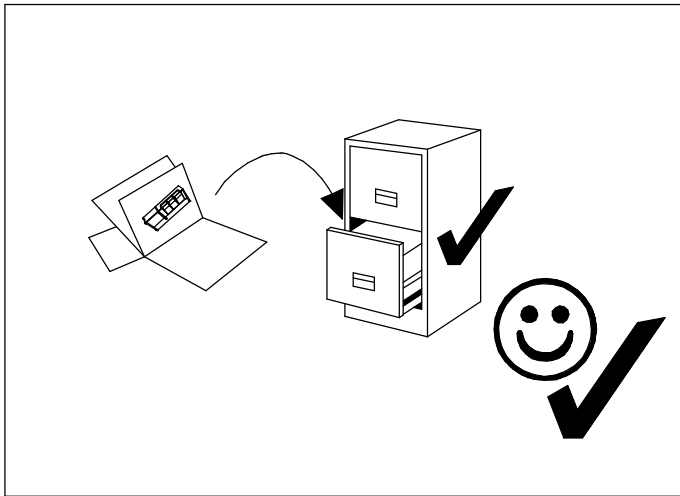
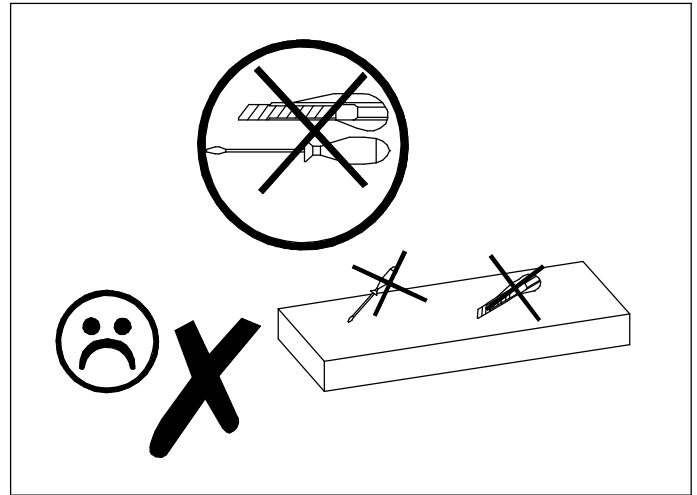
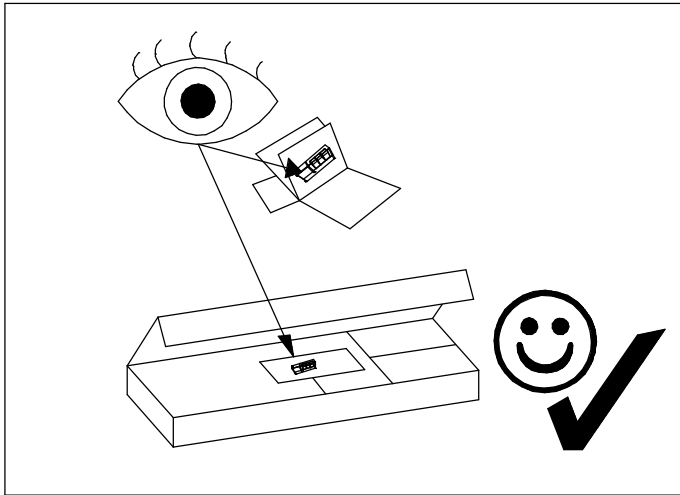


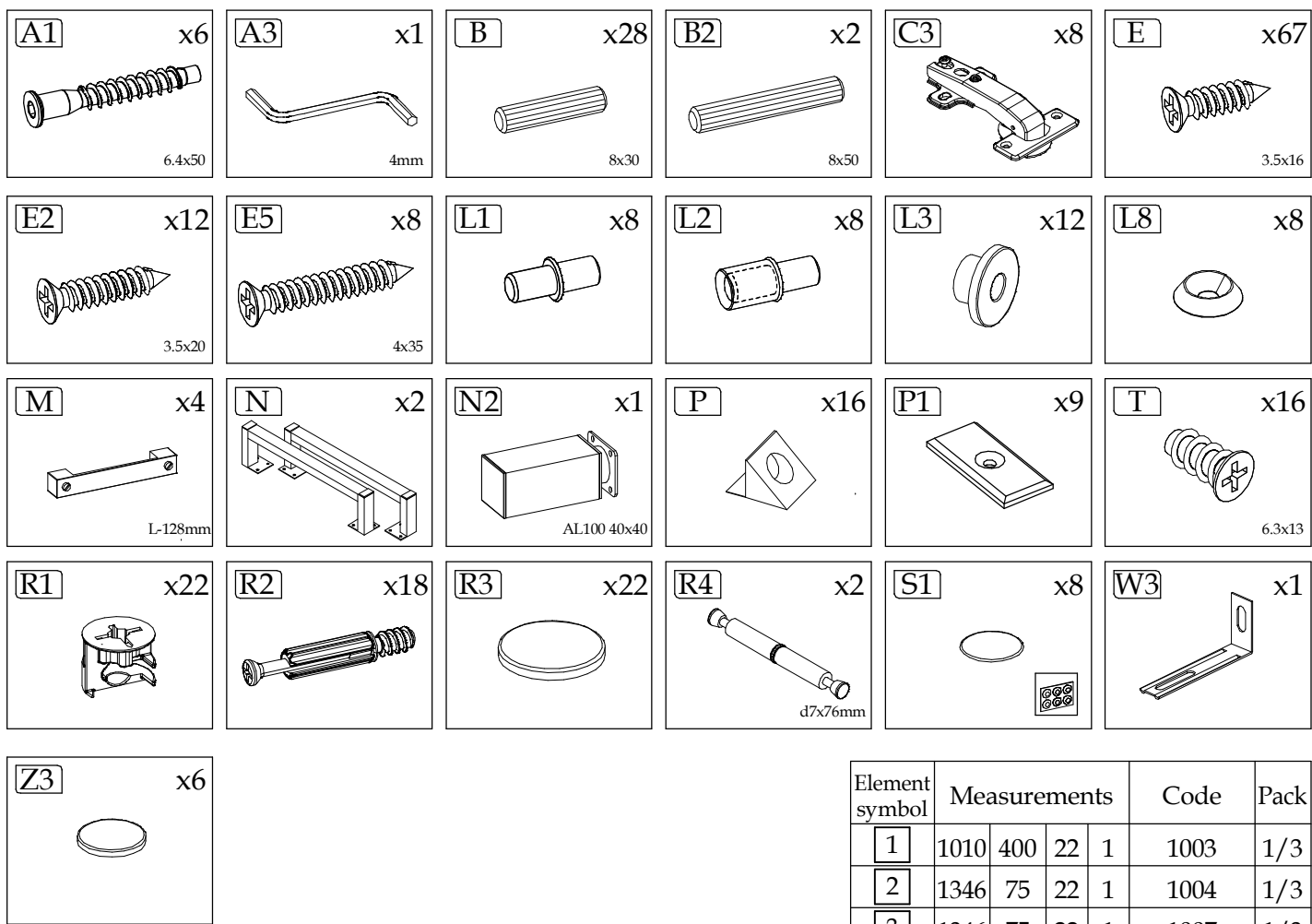
LEEDS C



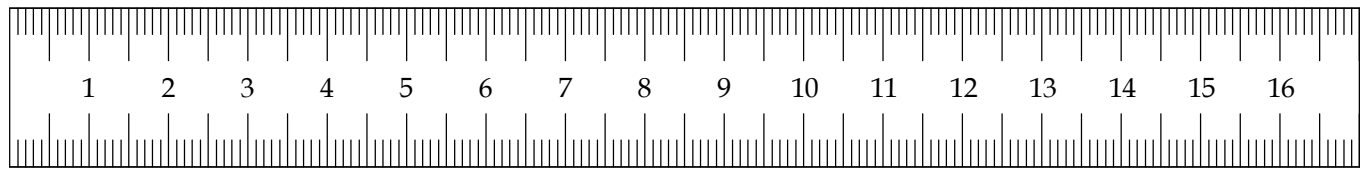
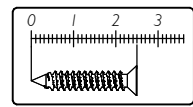
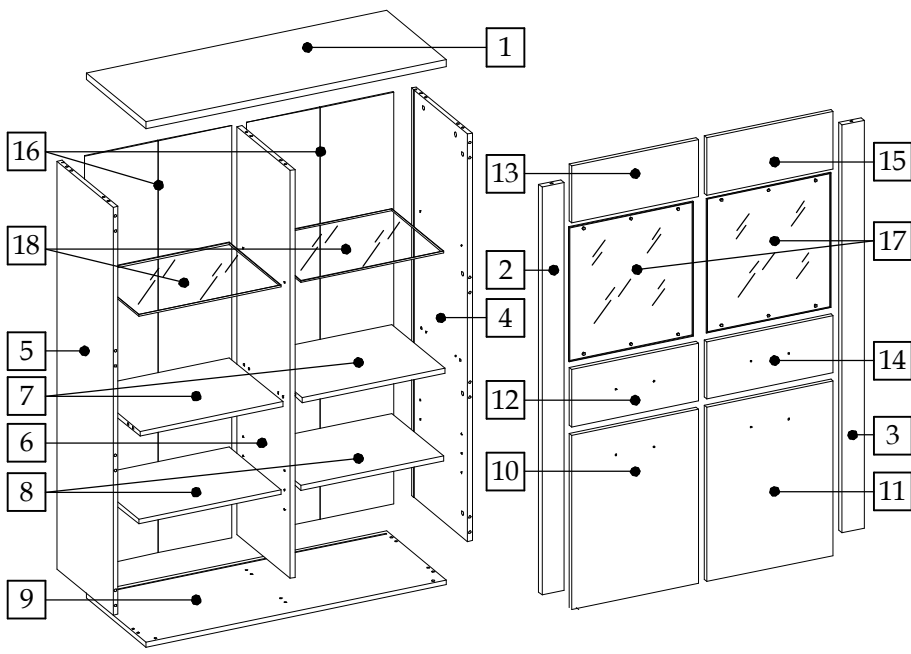
100 min



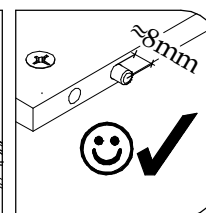
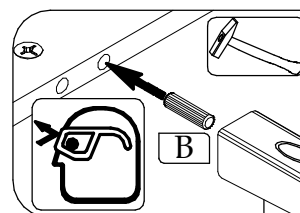
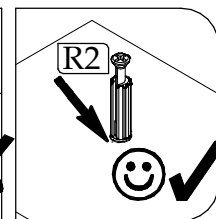
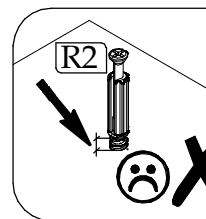
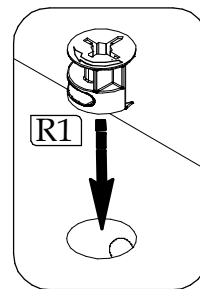
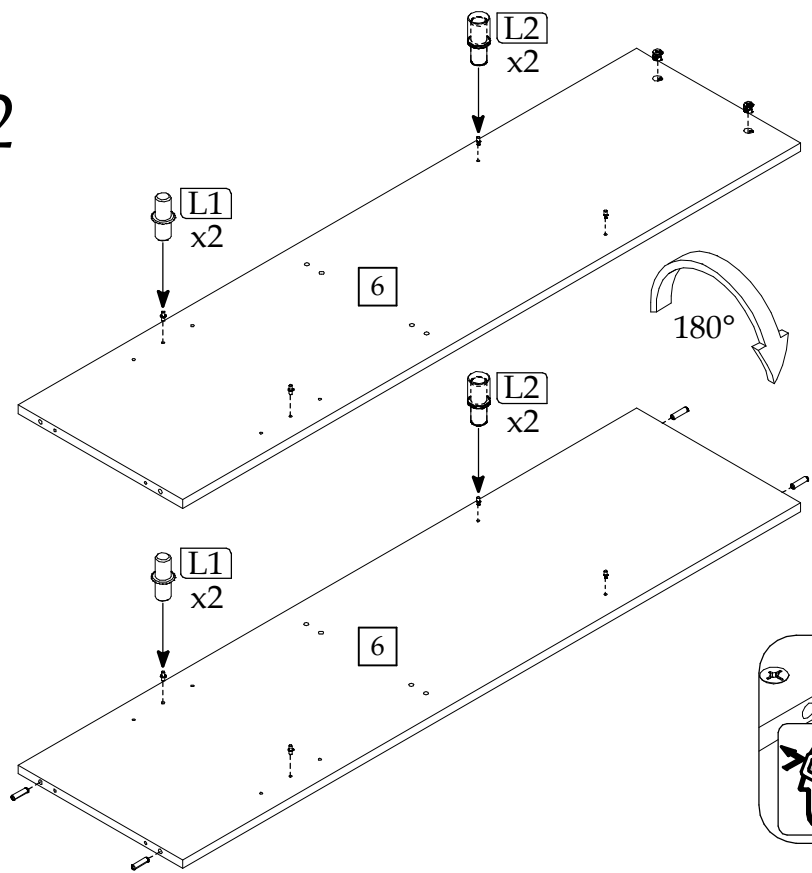




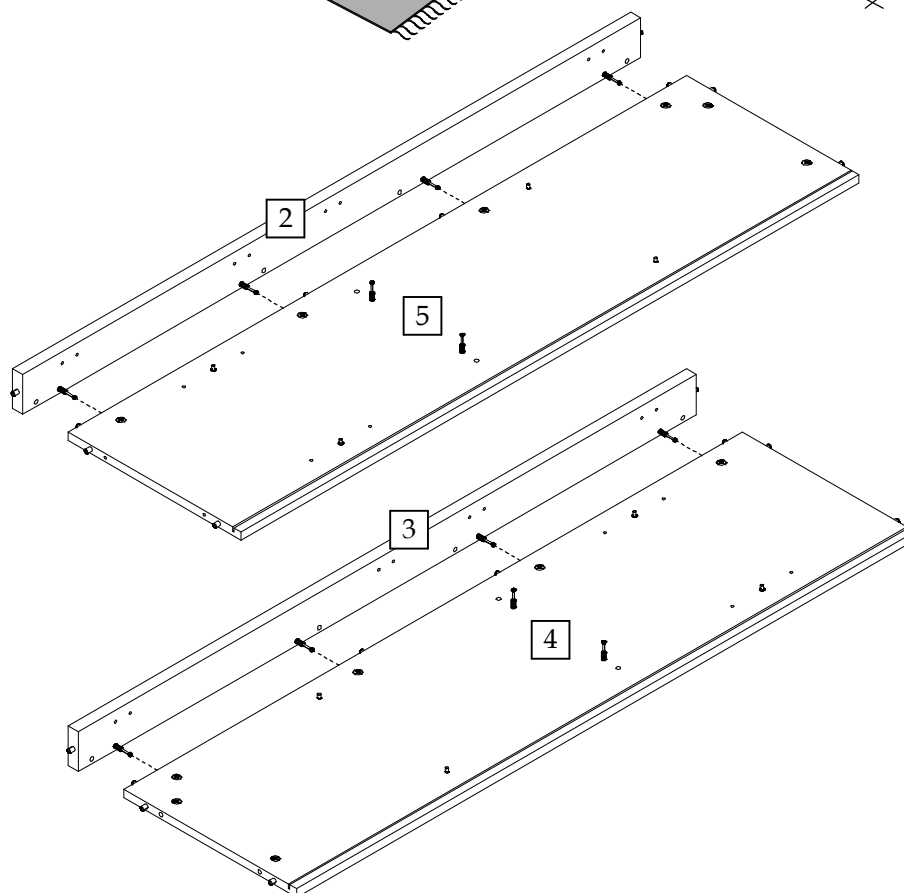
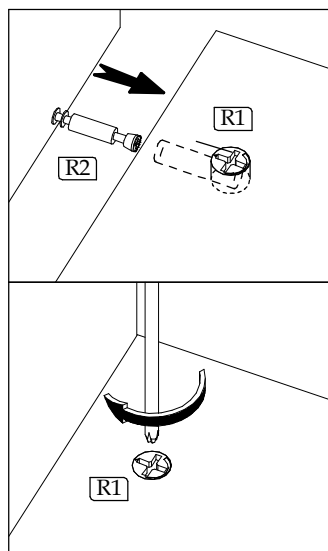
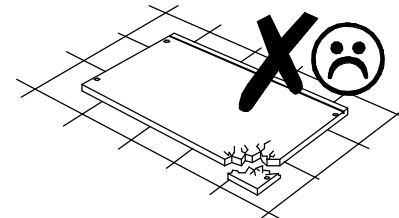
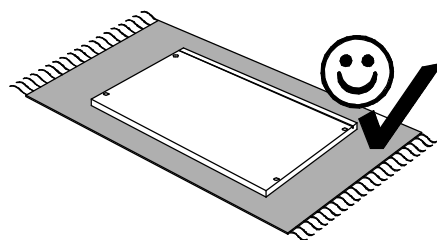
Element symbol	Measurements				Code	Pack
1	1010	400	22	1	1003	1/3
2	1346	75	22	1	1004	1/3
3	1346	75	22	1	1007	1/3
4	1346	375	16	1	1008	1/3
5	1346	375	16	1	1009	1/3
6	1346	357	16	1	1013	1/3
7	480	356	16	2	1011-1034	1/3
8	480	345	16	2	N/A	1/3
9	1010	400	16	1	1002_2002	1/3
10	426	575	16	1	1045	1/3
11	426	575	16	1	1047	1/3
12	426	189	16	1	1046	1/3
13	426	189	16	1	1048	1/3
14	426	189	16	1	1049	1/3
15	426	189	16	1	1050	1/3
16	1360	247	3	4	N/A	1/3
17	444	417	4	2	N/A	2/3
18	479	345	6	2	N/A	3/3



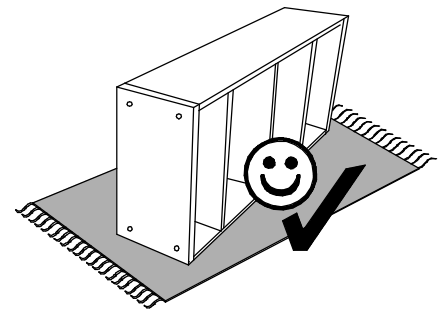
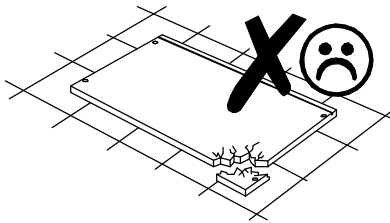
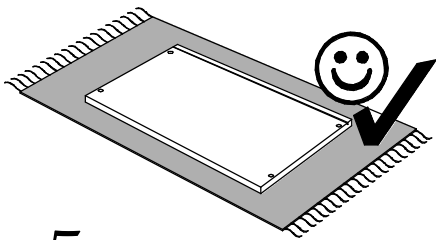
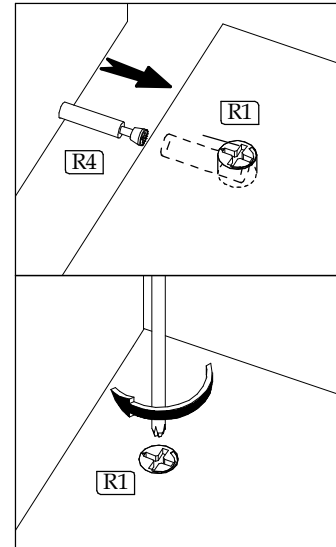
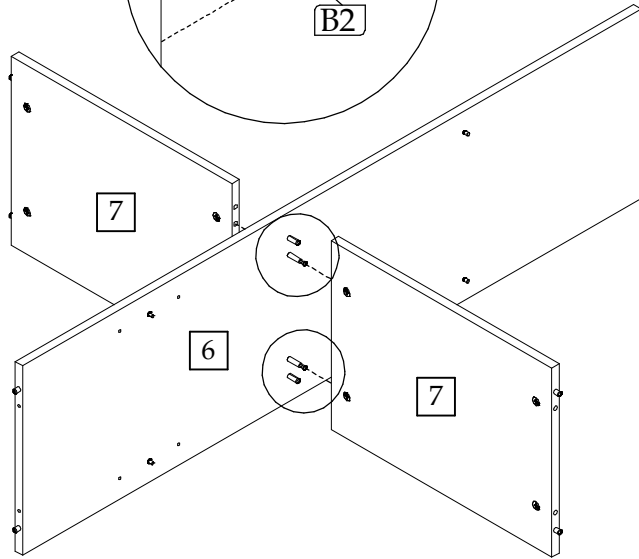
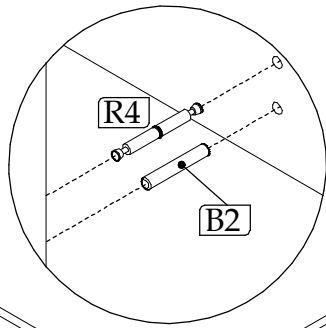
▶ 2



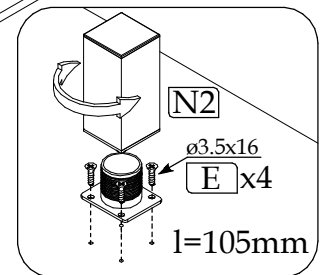
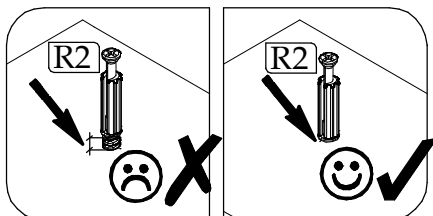
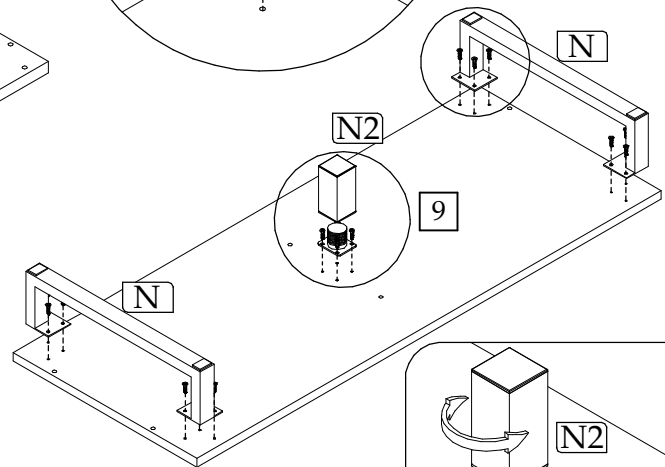
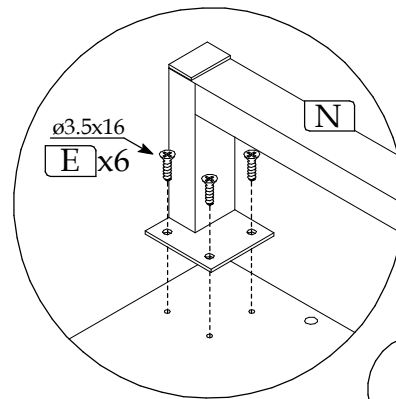
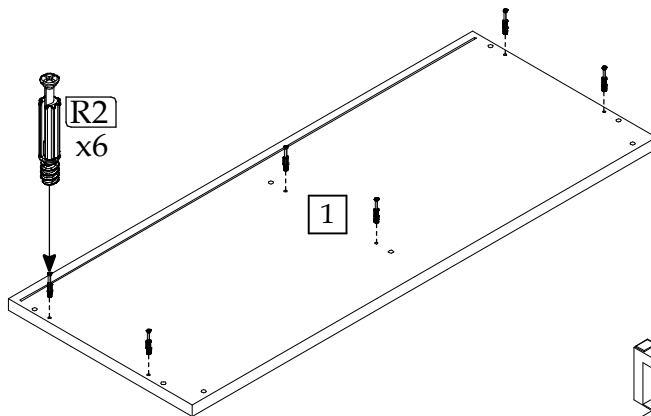
▶ 3



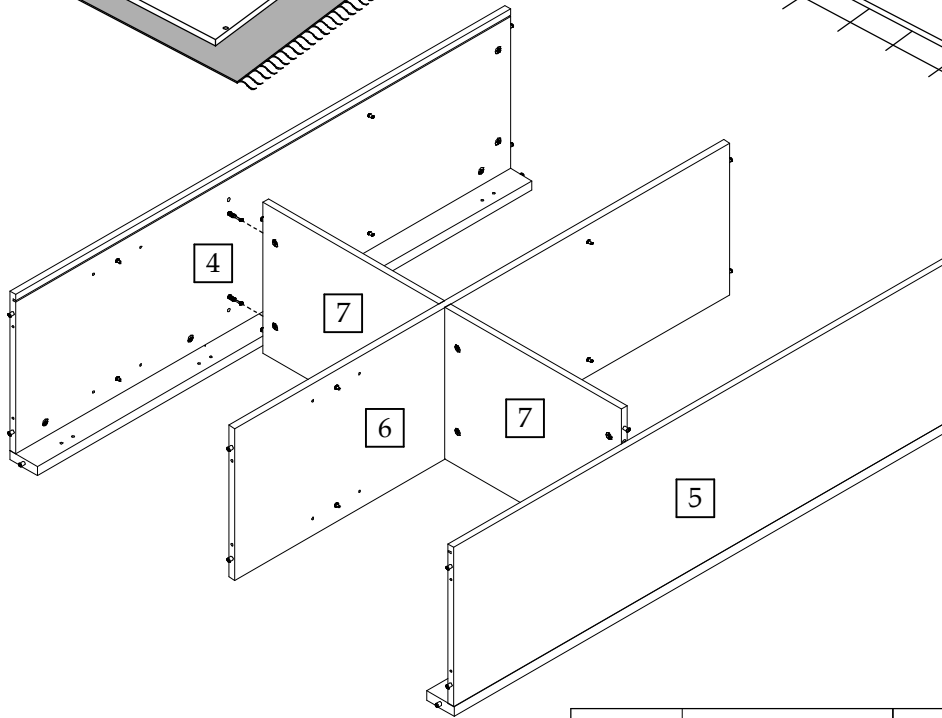
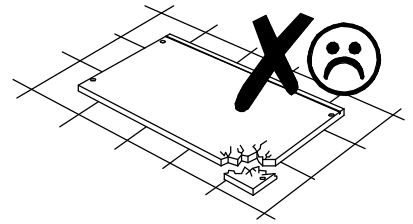
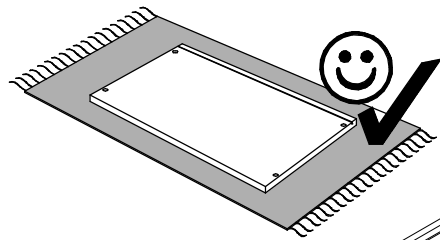
▶ 4



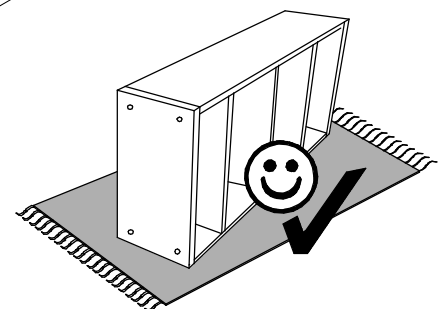
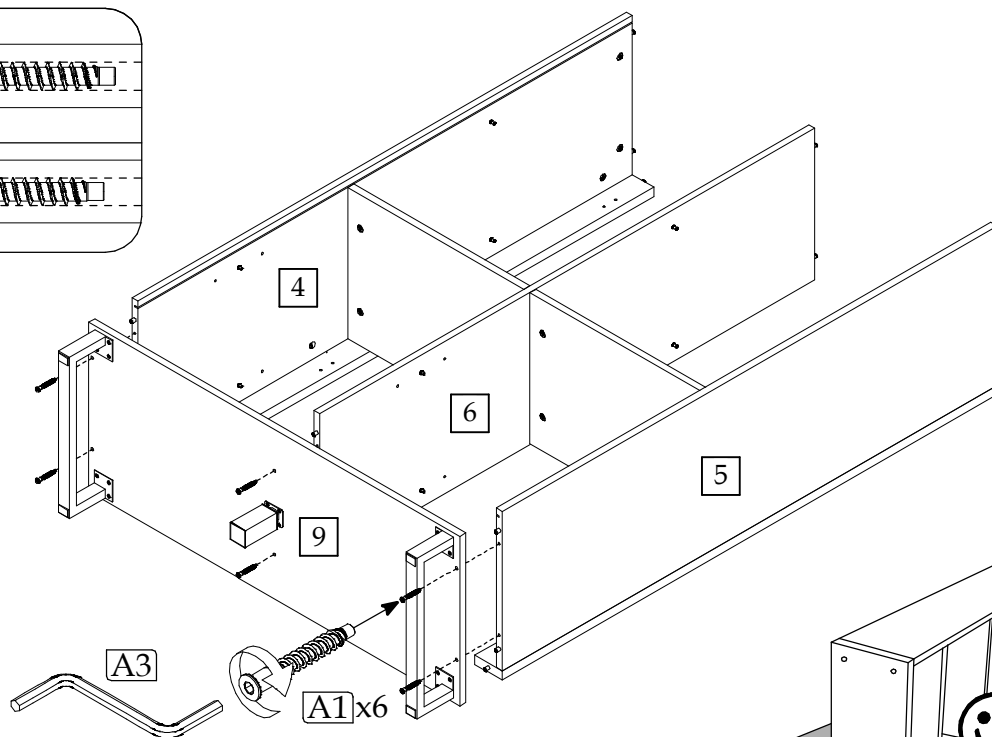
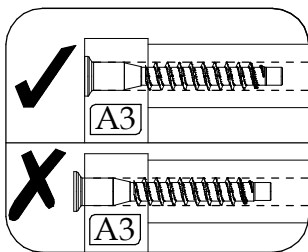
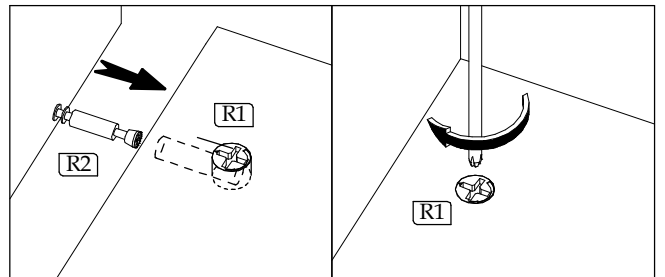
▶ 5



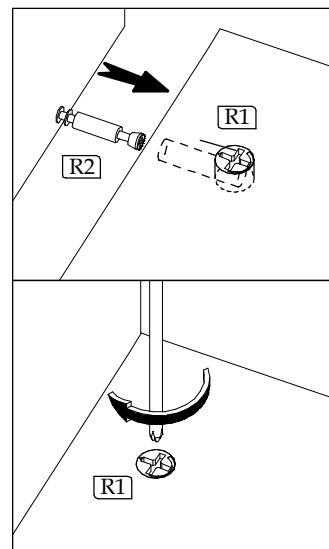
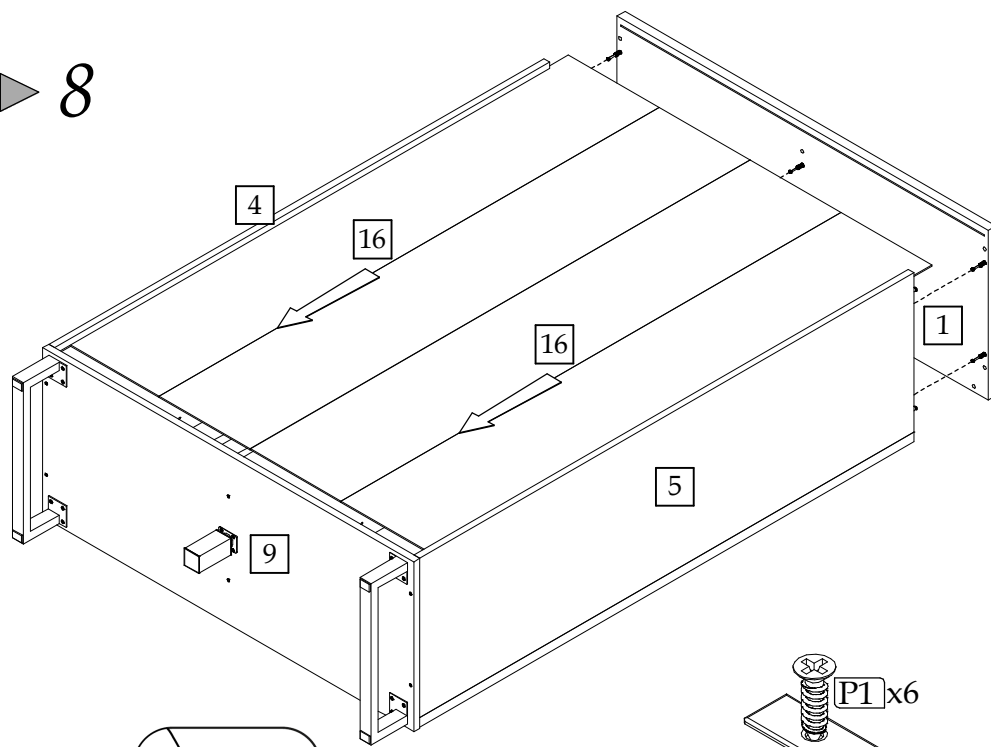
▶ 6



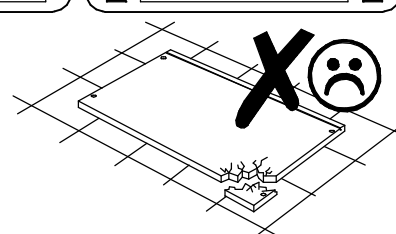
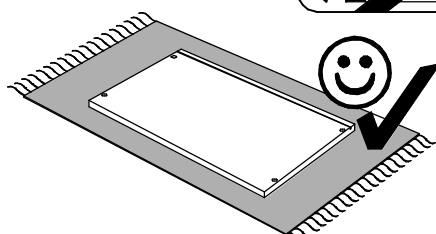
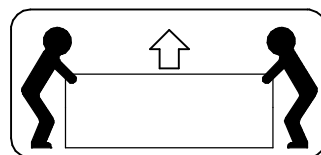
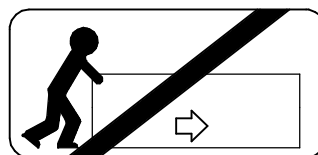
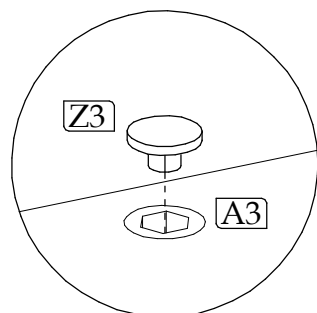
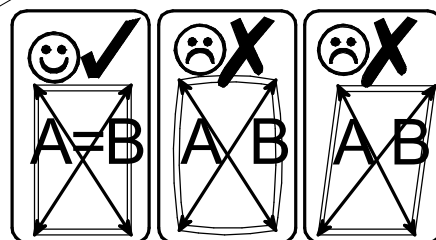
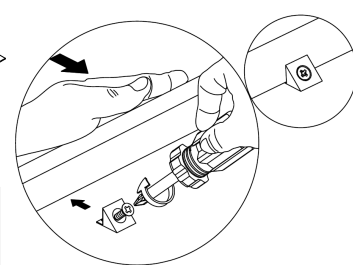
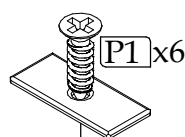
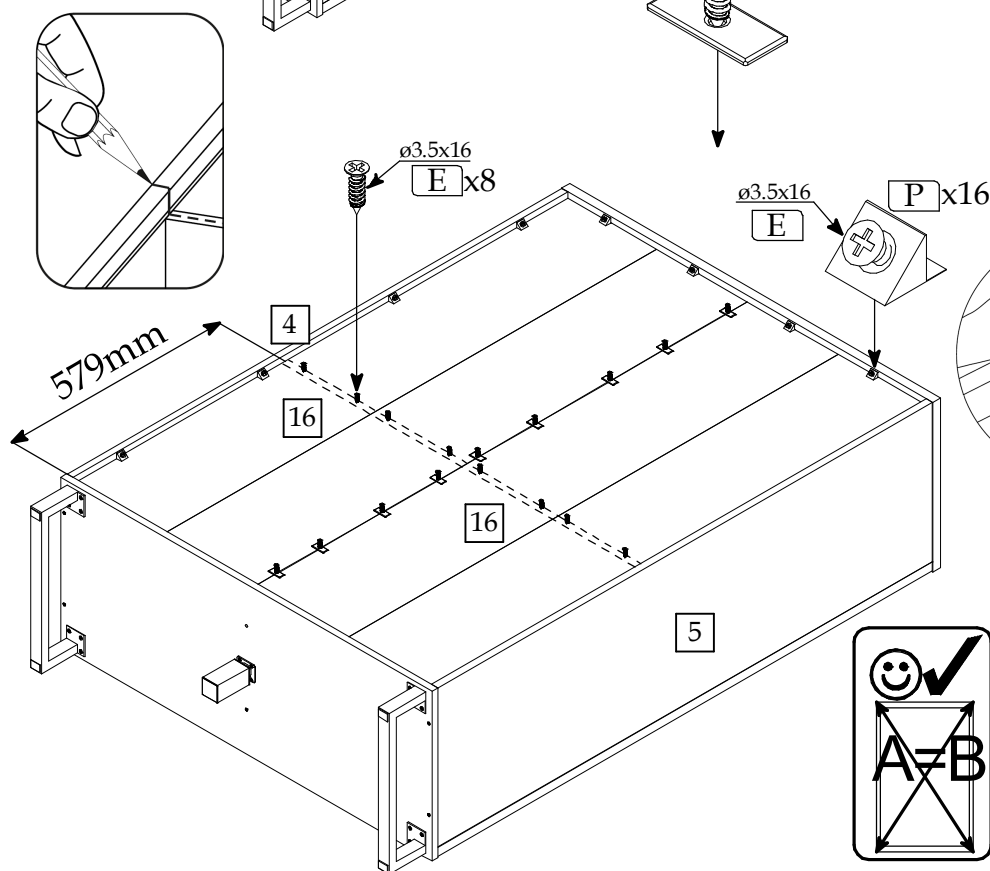
▶ 7



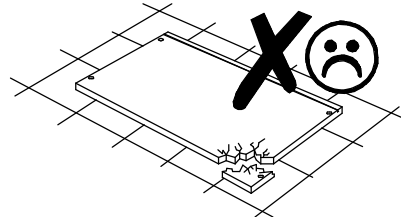
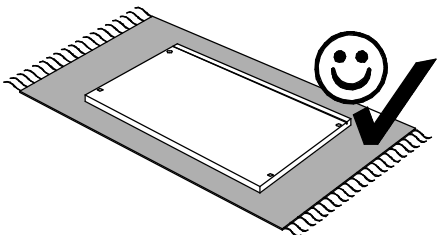
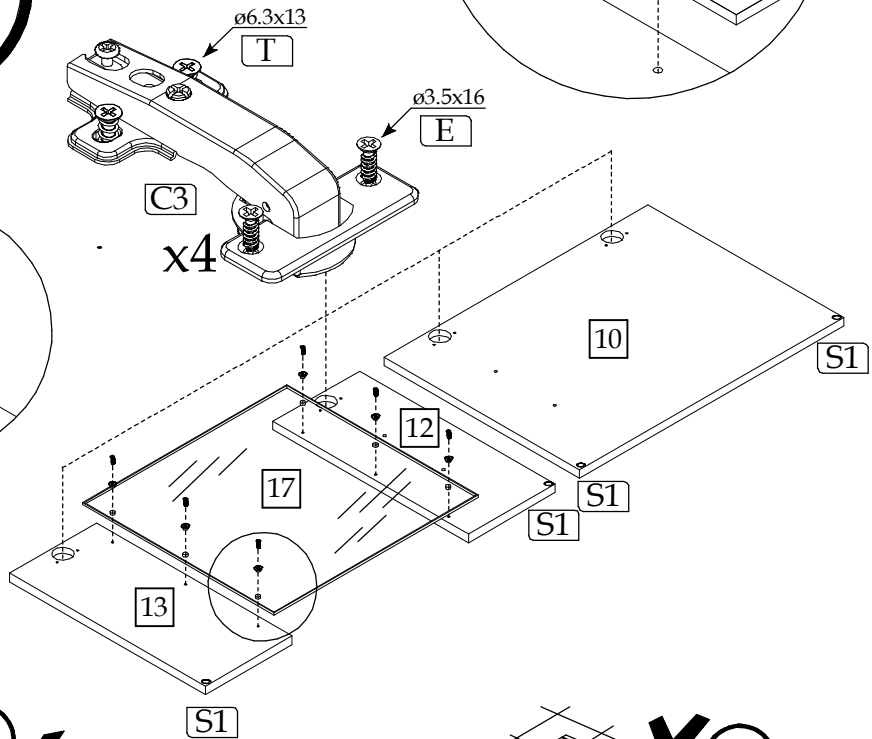
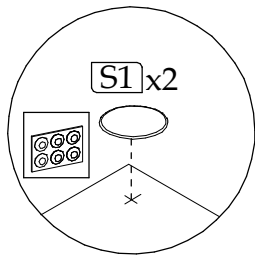
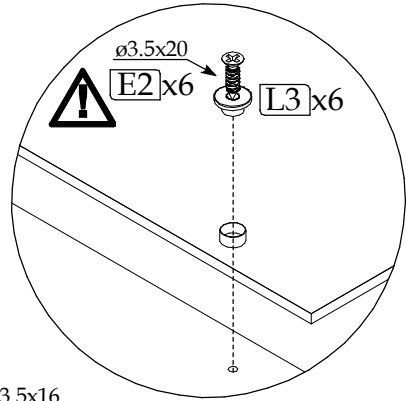
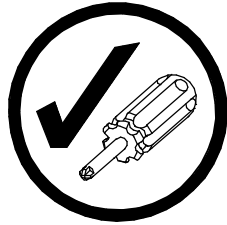
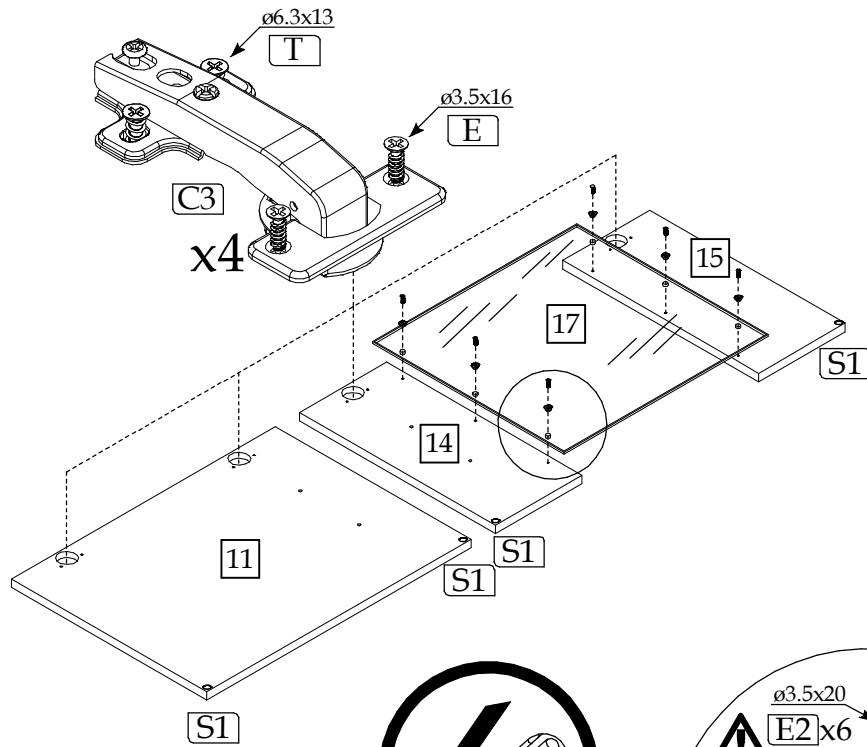
▶ 8



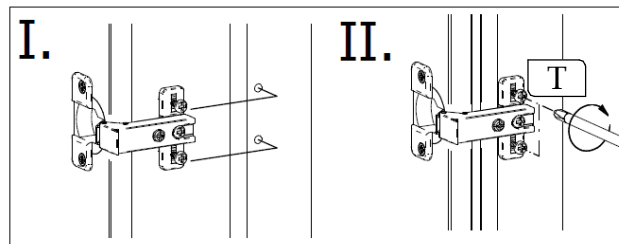
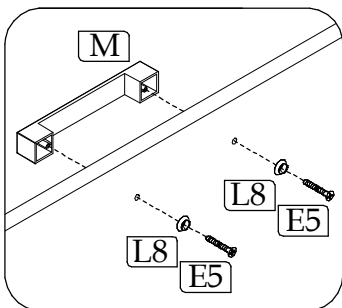
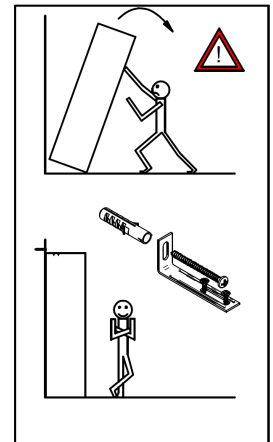
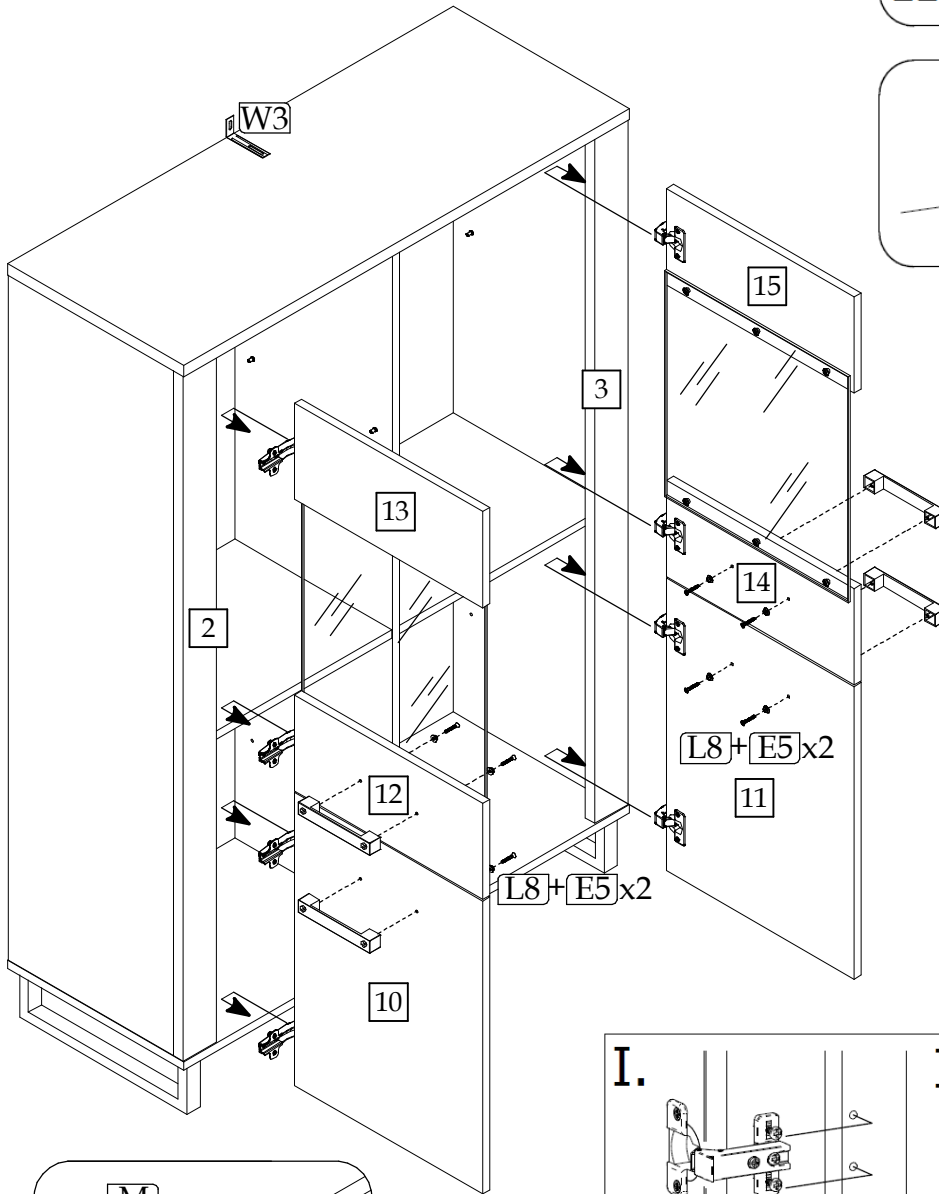
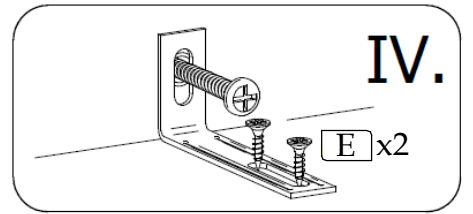
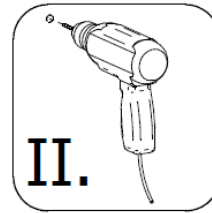
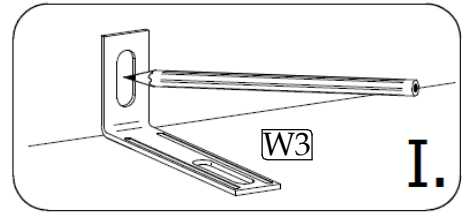
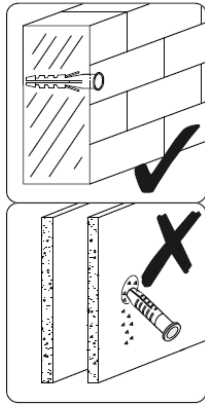
▶ 9



► 10



▶ 11



▶ 12

