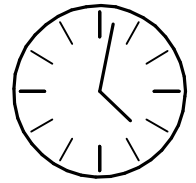
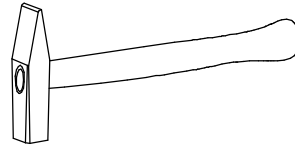
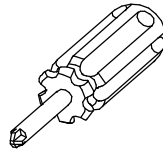
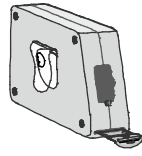
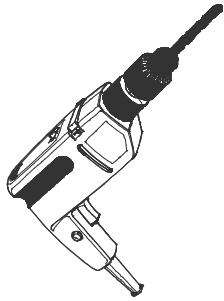
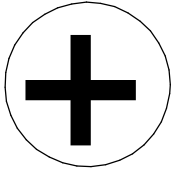
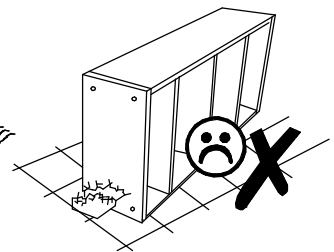
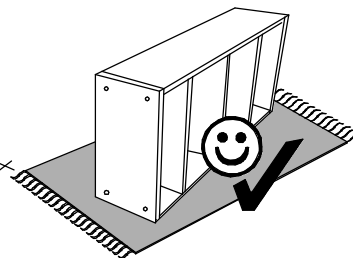
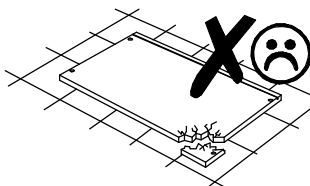
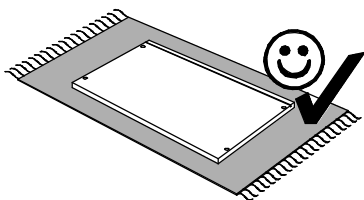
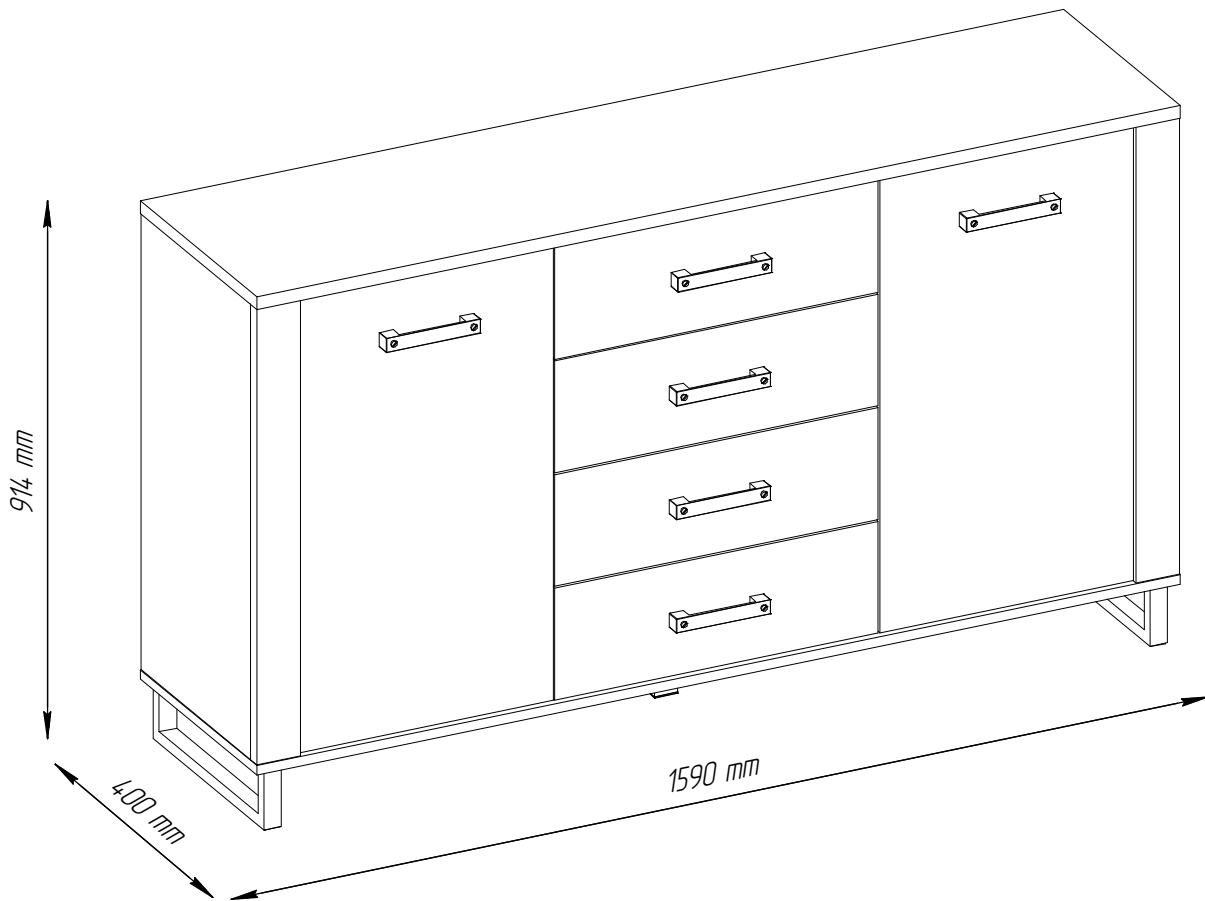
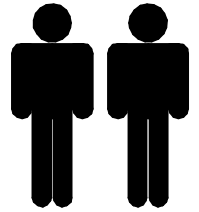
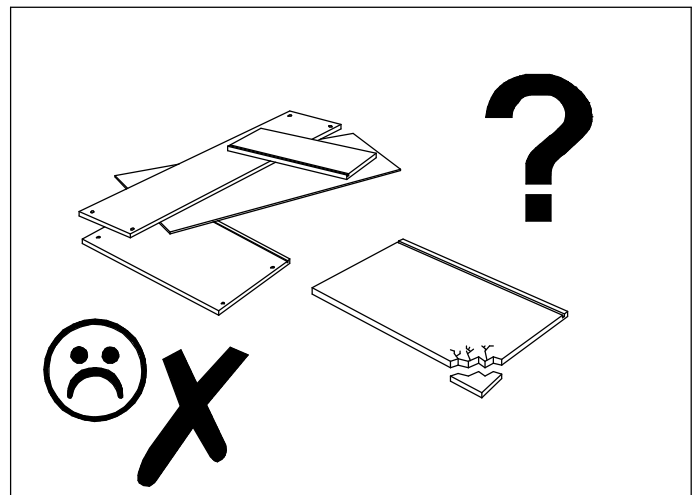
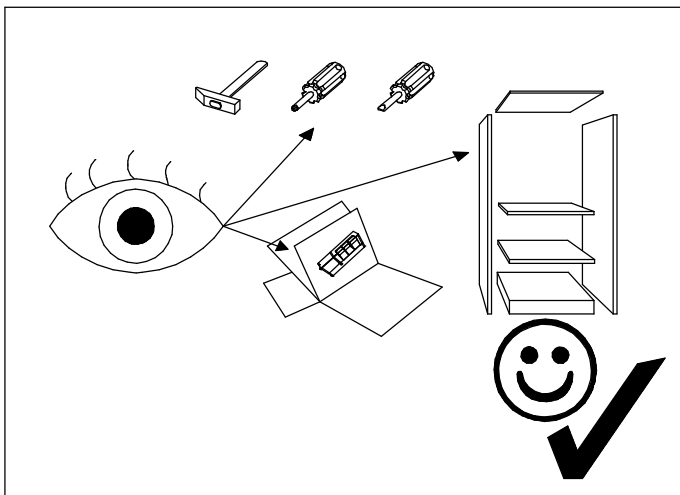
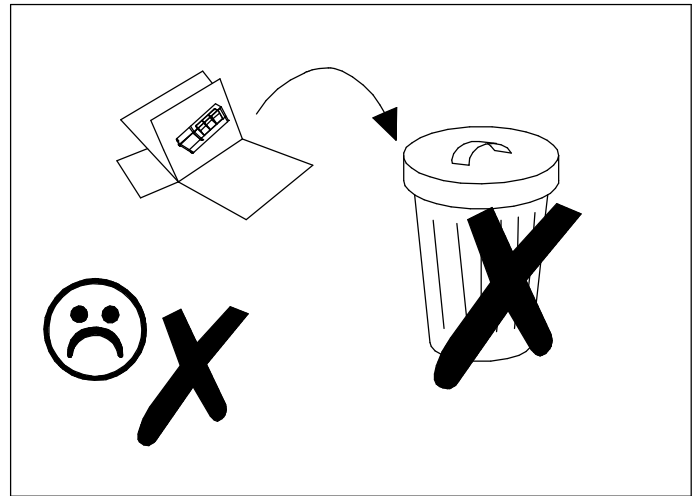
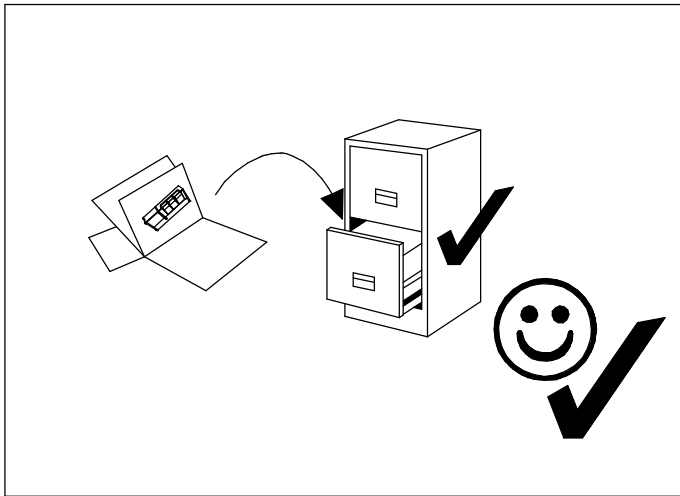
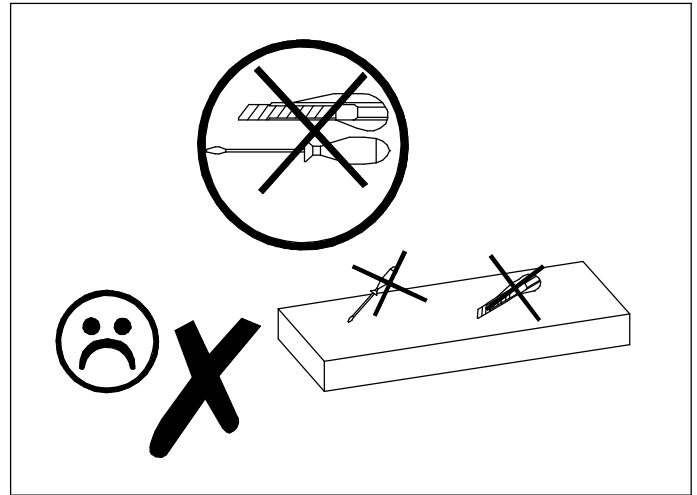
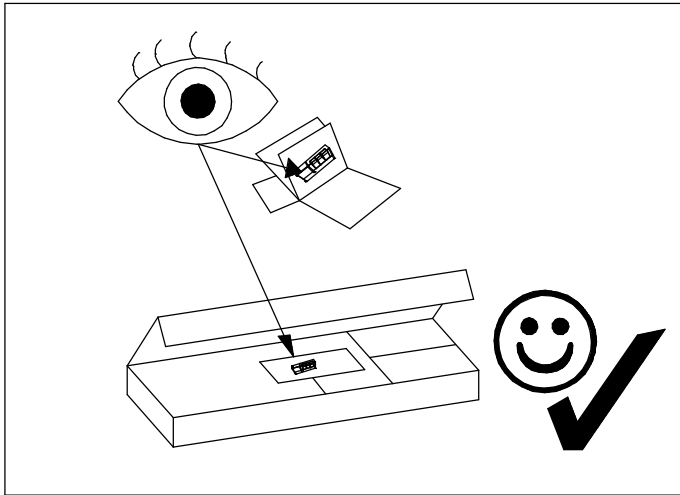


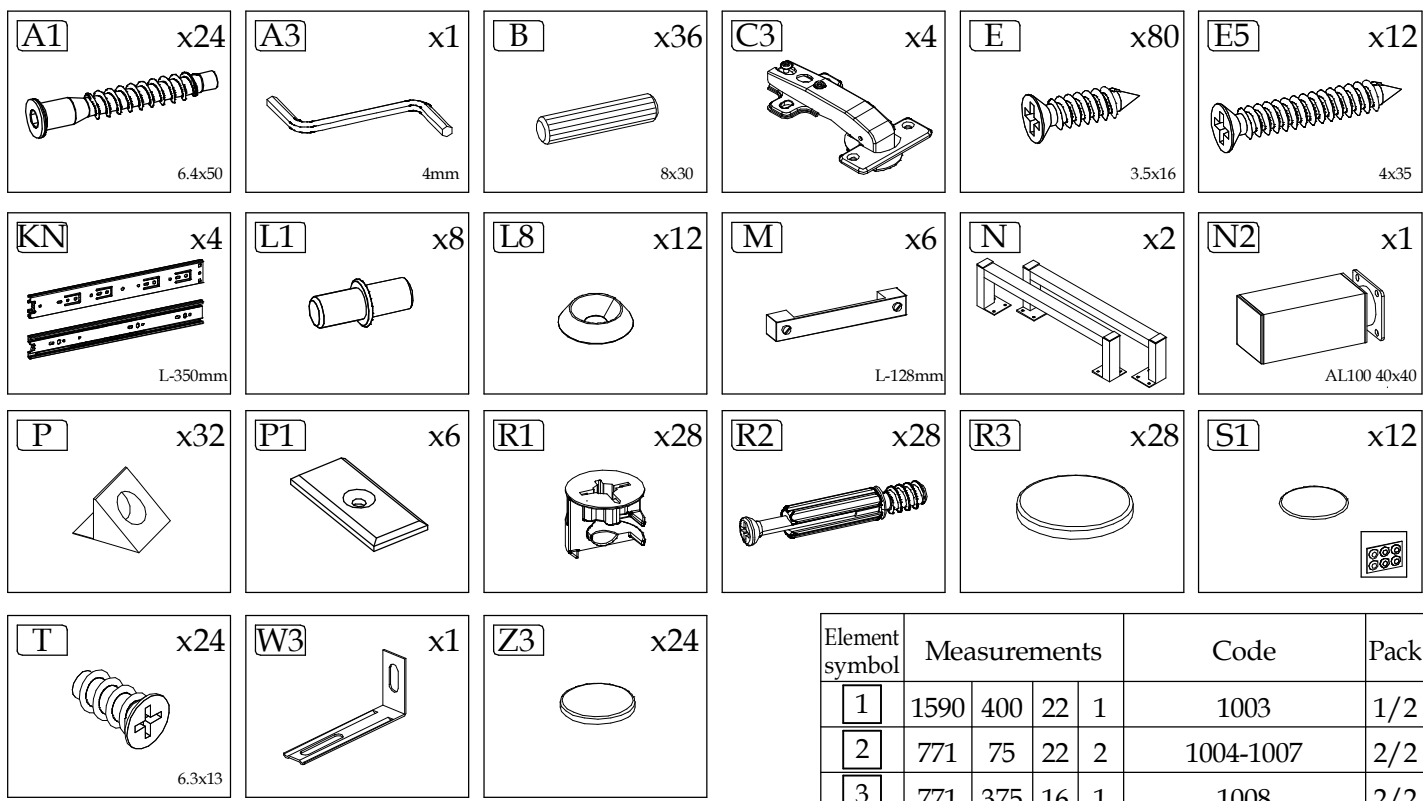
LEEDS E



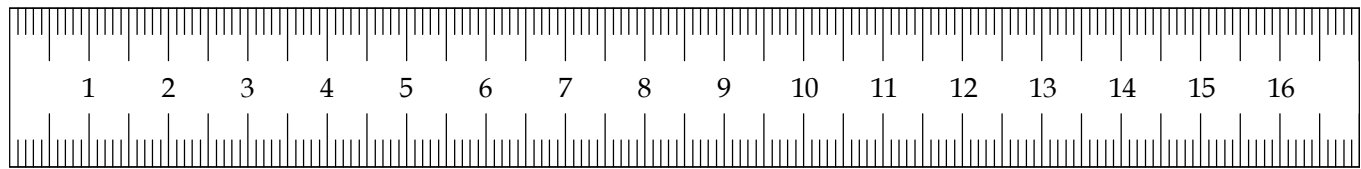
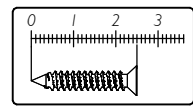
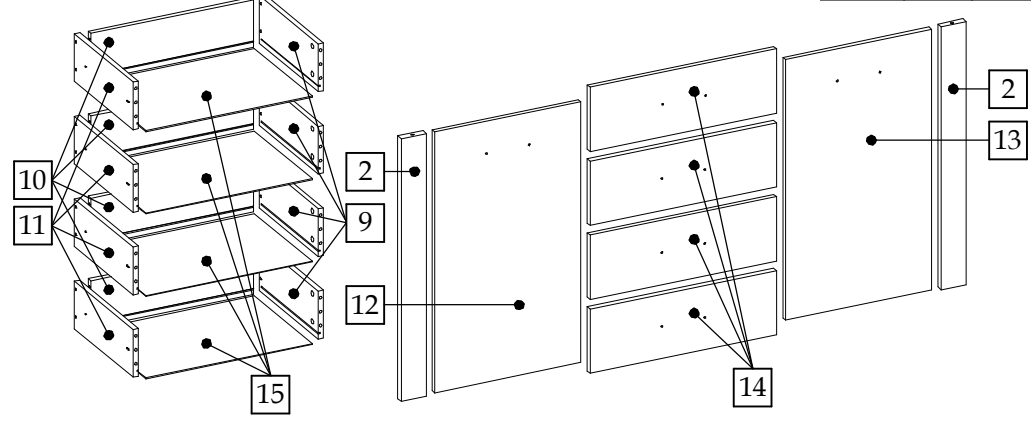
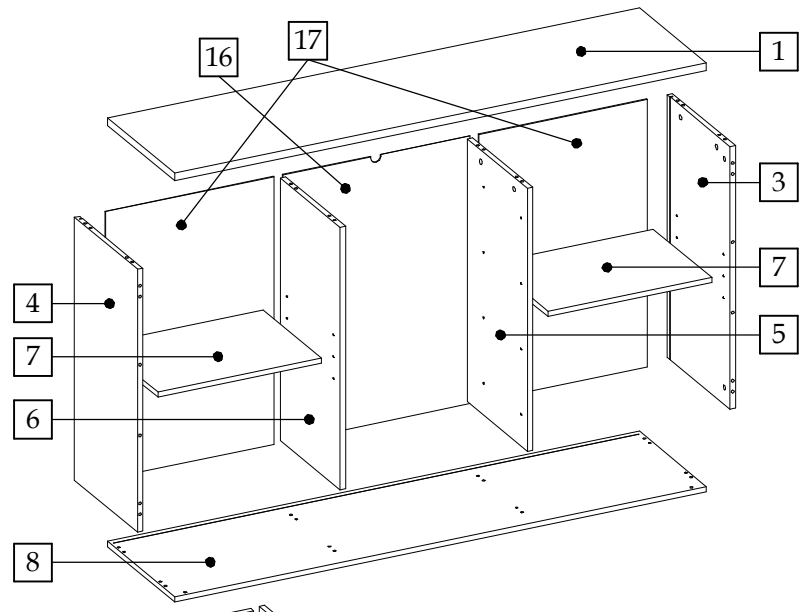
120 min

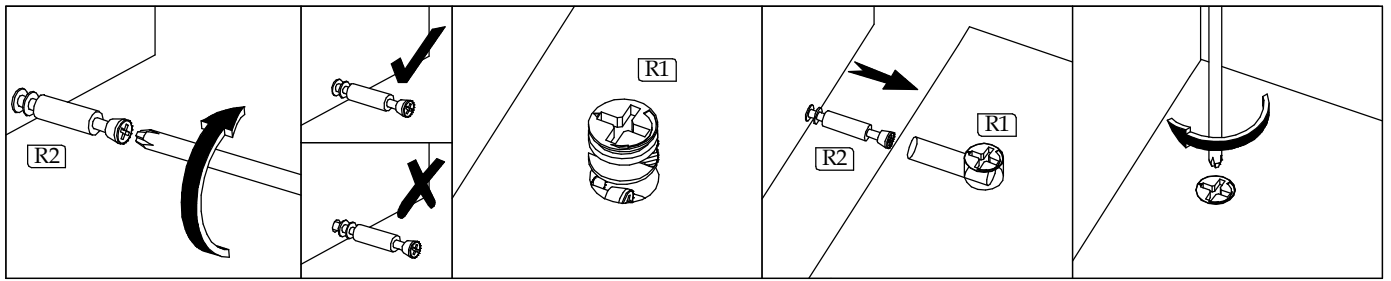




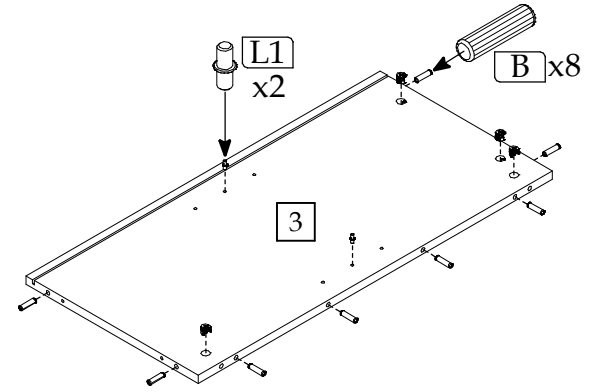
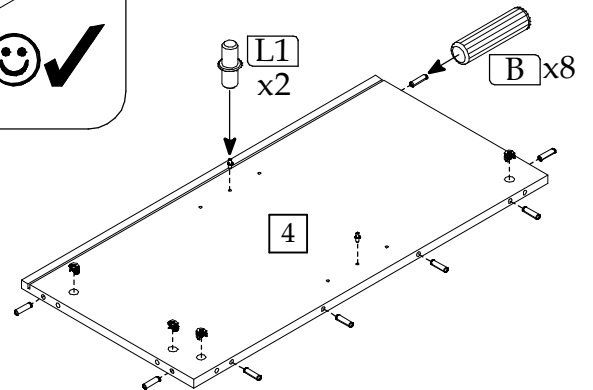
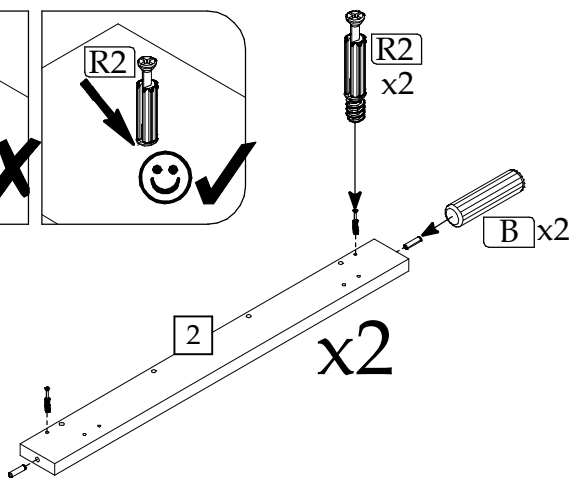
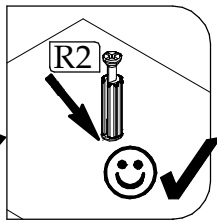
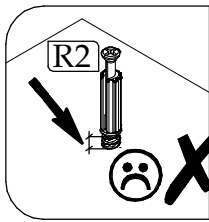
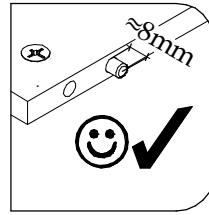
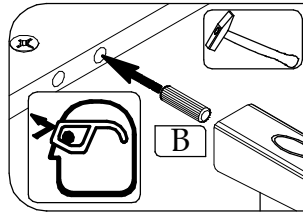
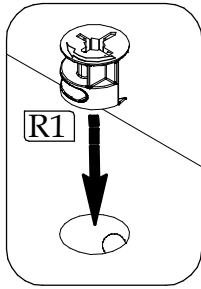


Element symbol	Measurements				Code	Pack
	1	2	3	4		
1	1590	400	22	1	1003	1/2
2	771	75	22	2	1004-1007	2/2
3	771	375	16	1	1008	2/2
4	771	375	16	1	1009	2/2
5	771	357	16	1	1012_2012	2/2
6	771	357	16	1	1013_2013	2/2
7	490	347	16	2	N/A	1/2
8	1590	400	16	1	1002_2002	1/2
9	350	140	16	4	1015-1020-1025-1029	1/2
10	486	139	16	4	1016-1021-1026-1030	1/2
11	350	140	16	4	1017-1022-1027-1031	1/2
12	436	765	16	1	1005	2/2
13	436	765	16	1	1006	2/2
14	557	189	16	4	1001-1014-1019-1024	1/2
15	496	344	3	4	N/A	1/2
16	785	560	3	1	1070_v	2/2
17	785	504	3	2	N/A	2/2

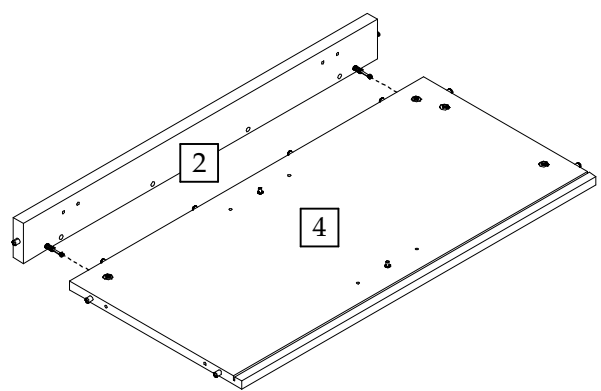
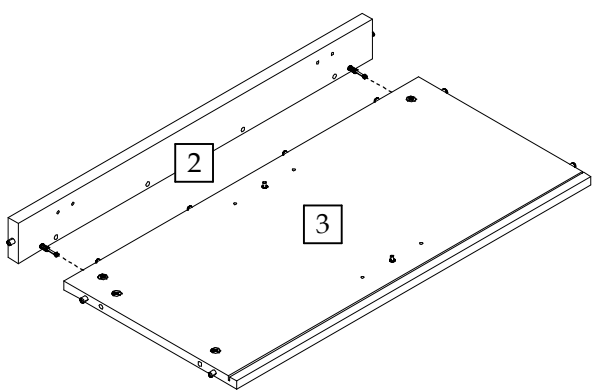
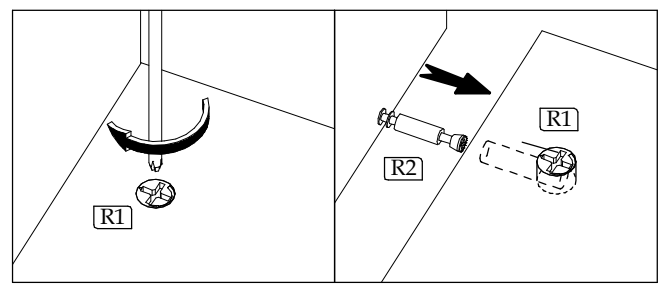
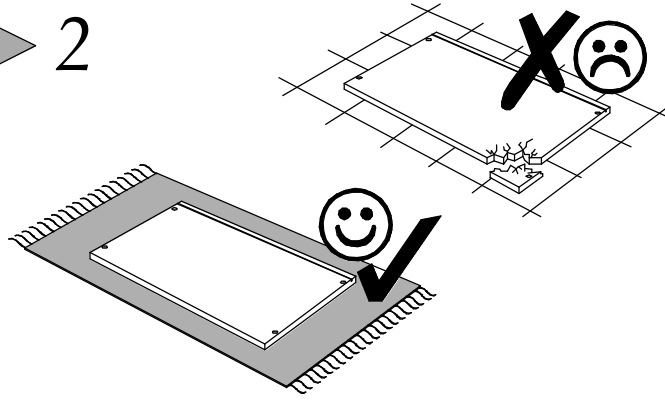




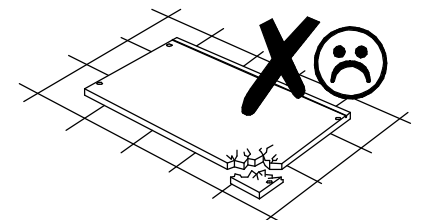
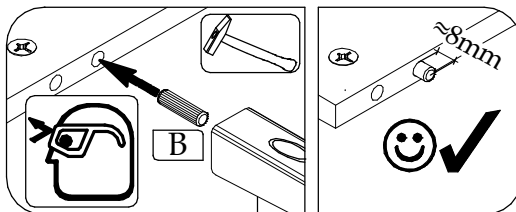
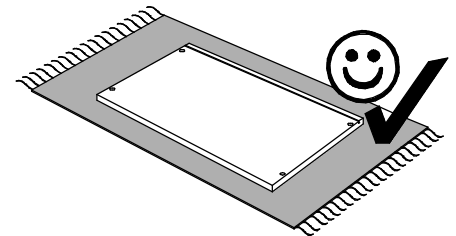
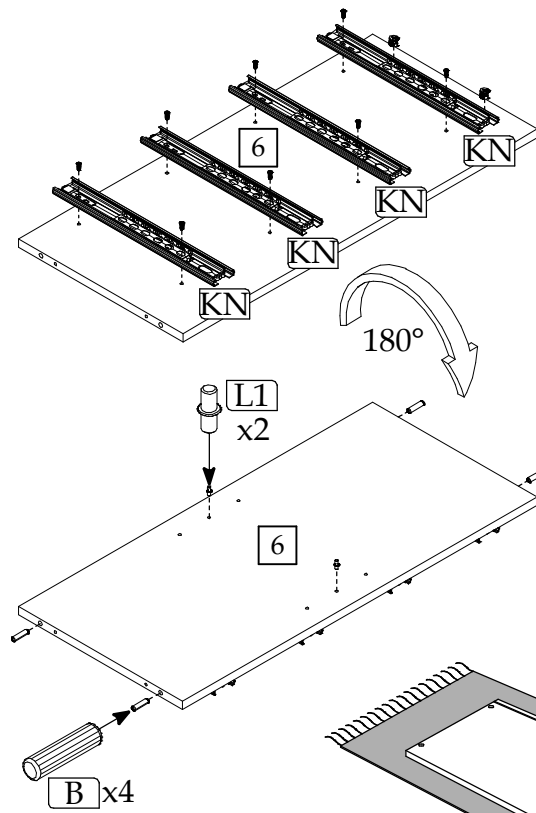
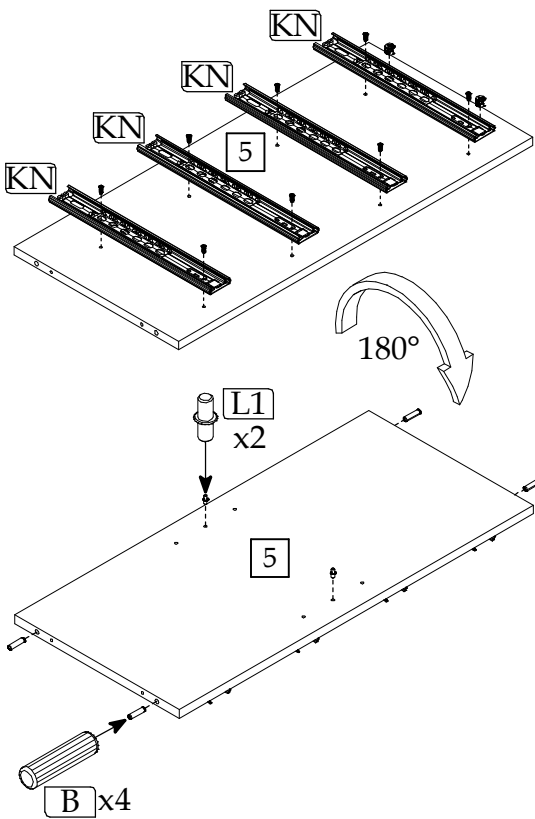
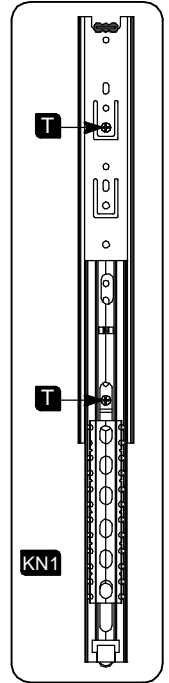
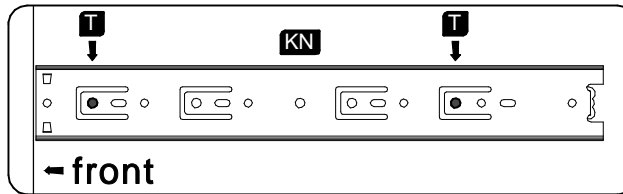
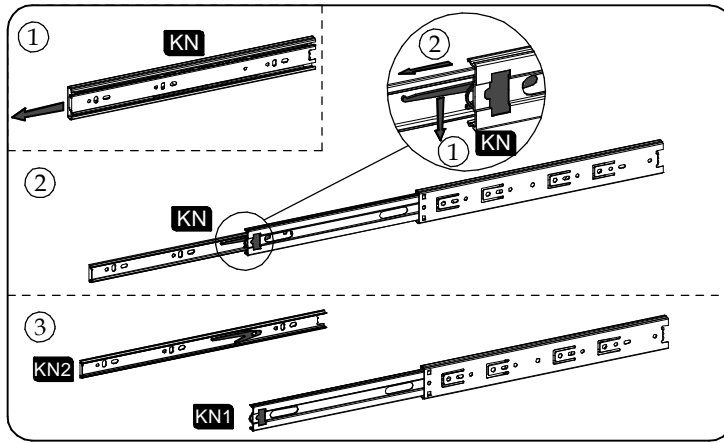
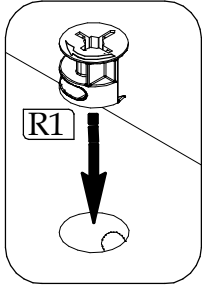
▶ 1



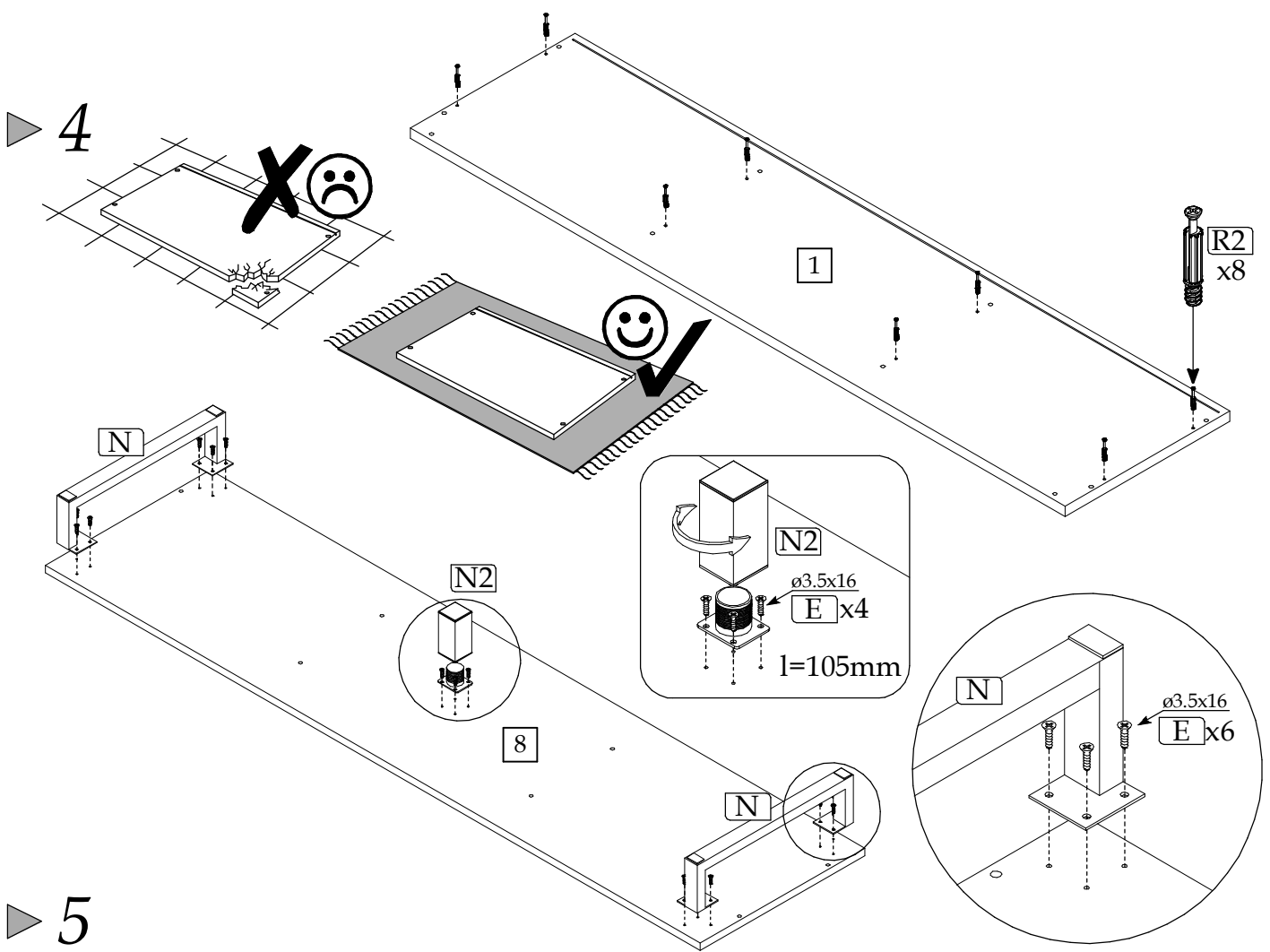
▶ 2



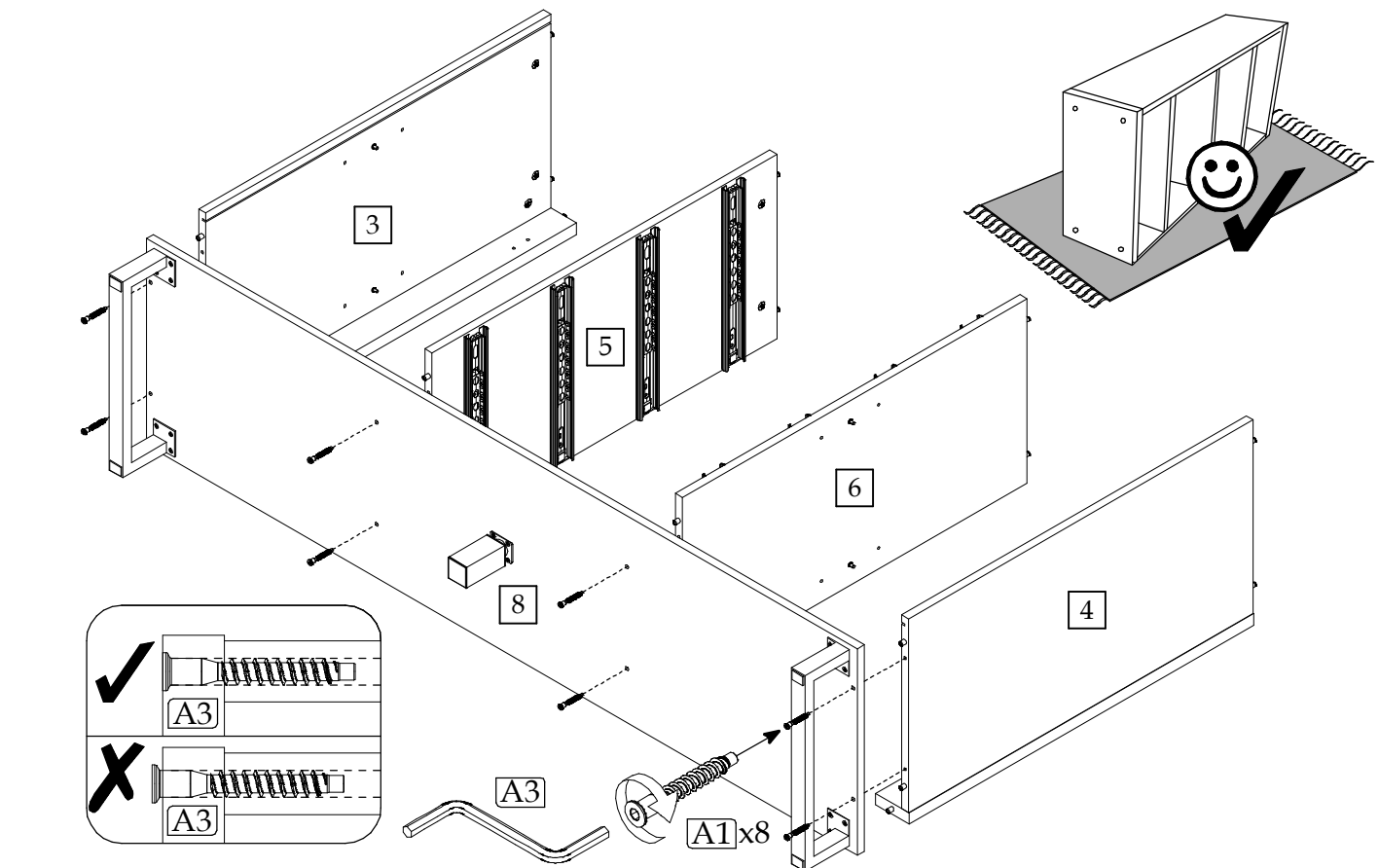
▶ 3



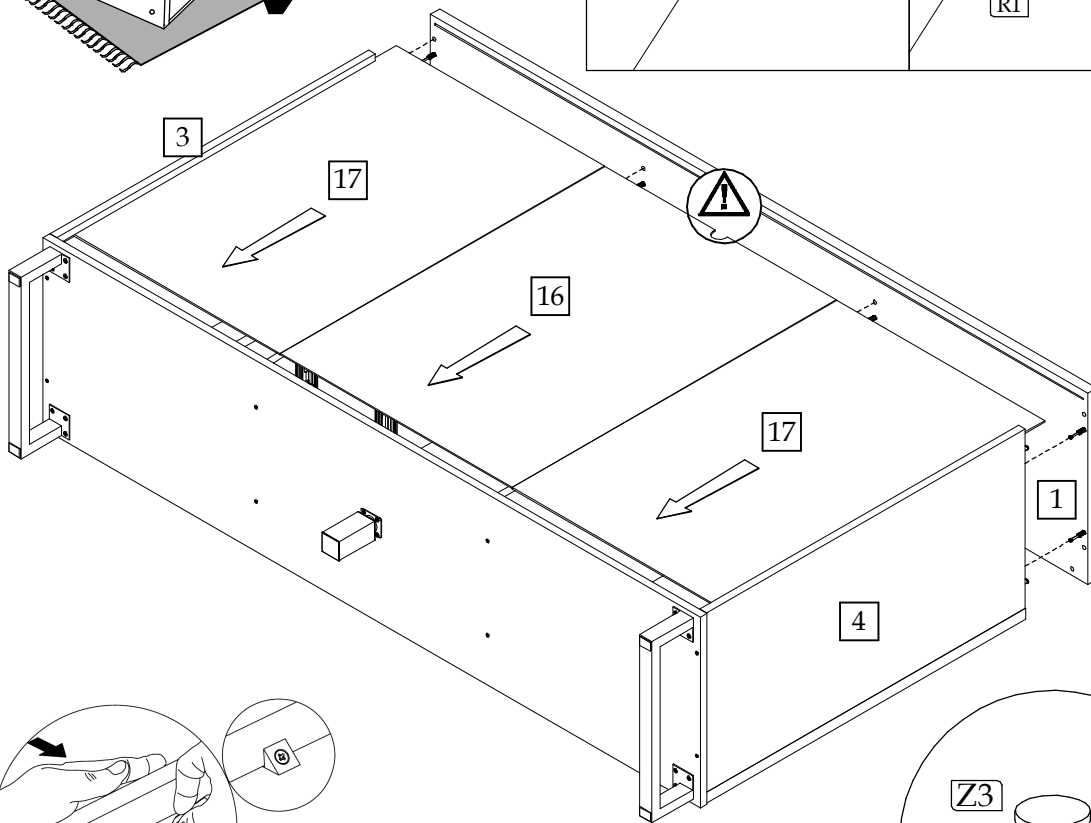
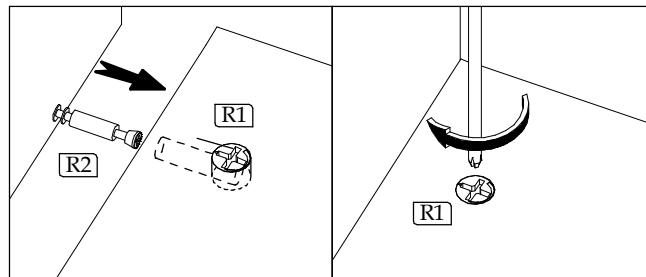
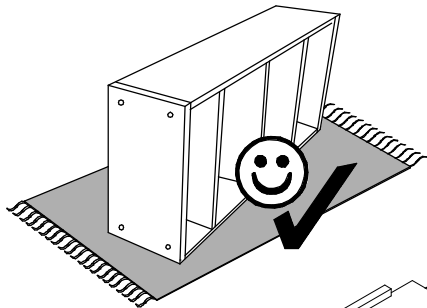
▶ 4



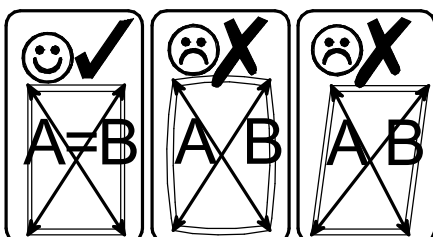
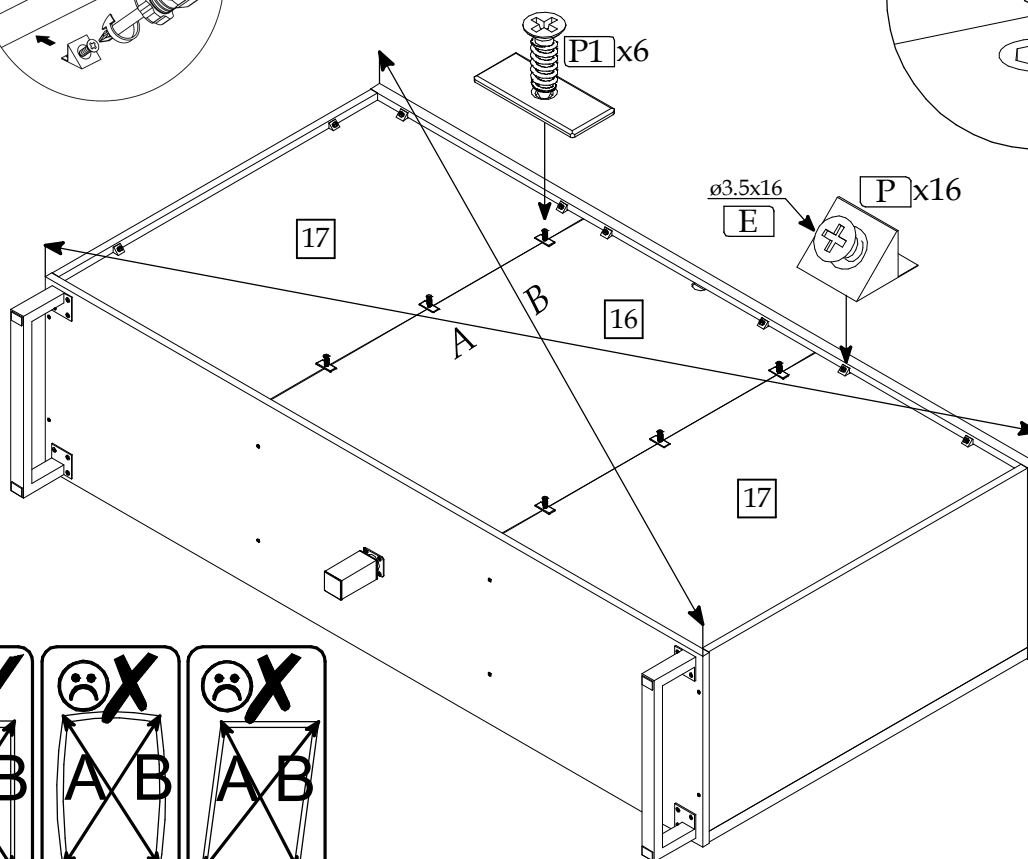
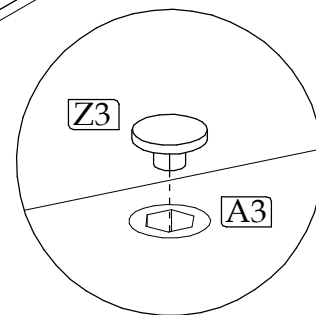
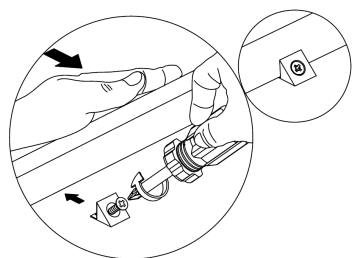
▶ 5



▶ 6

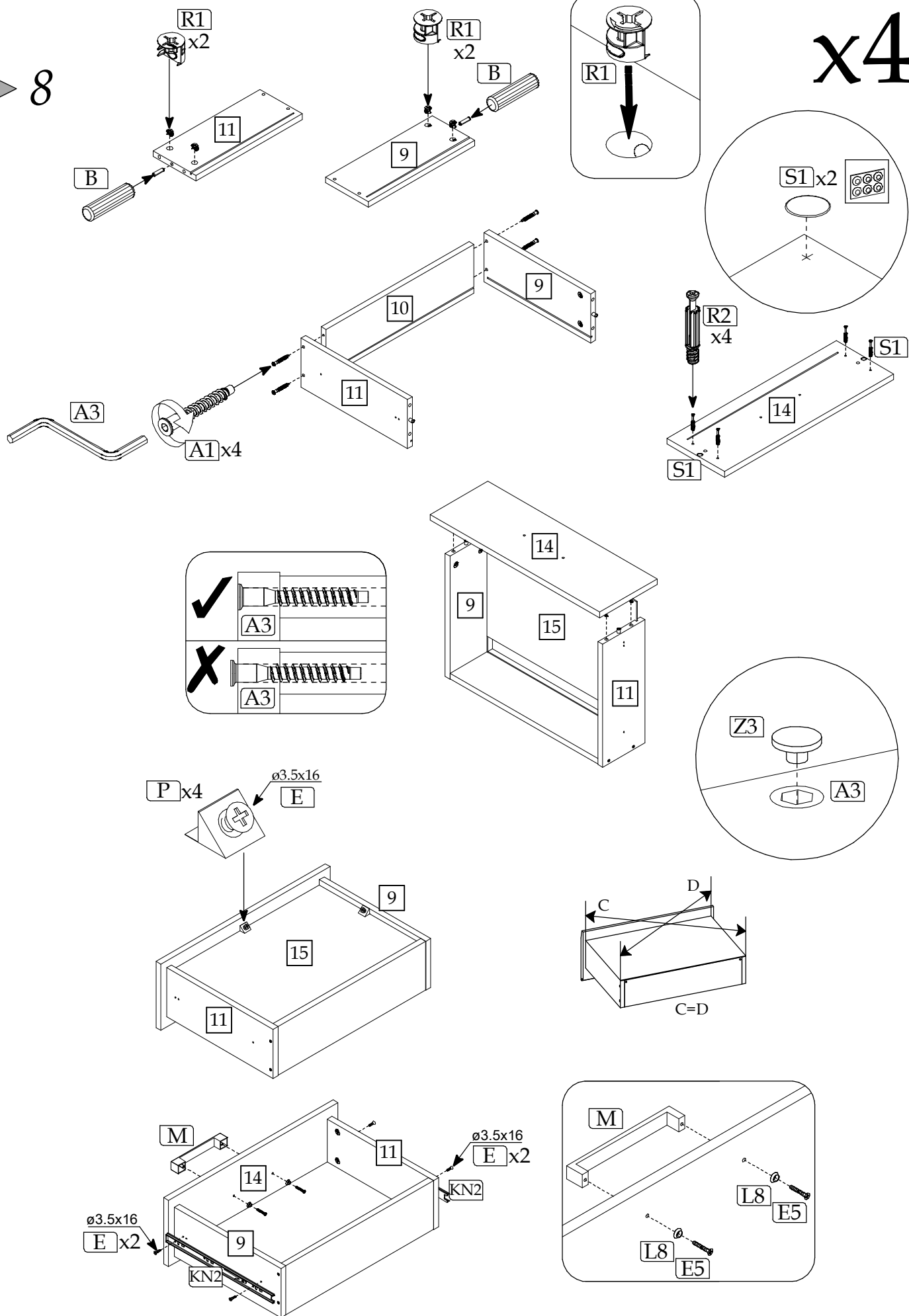


▶ 7

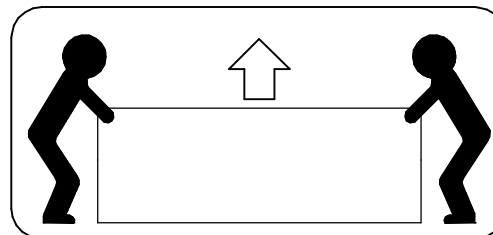
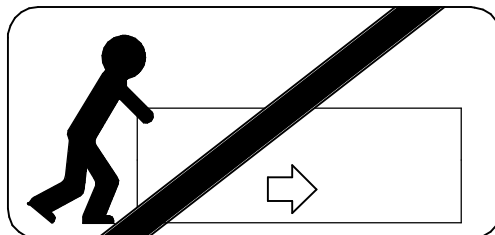
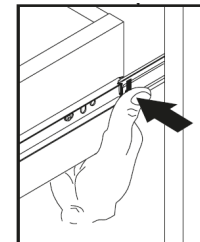
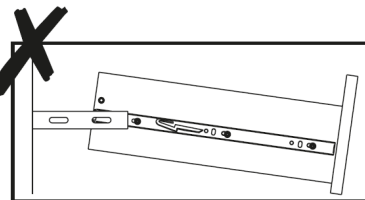
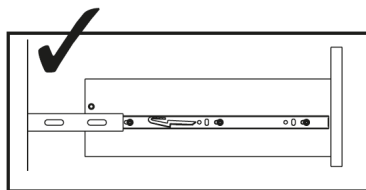
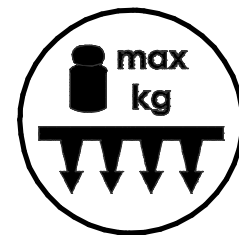
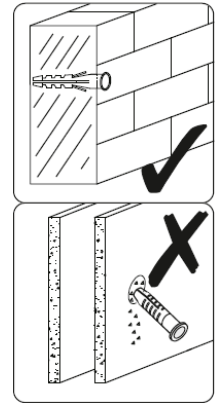
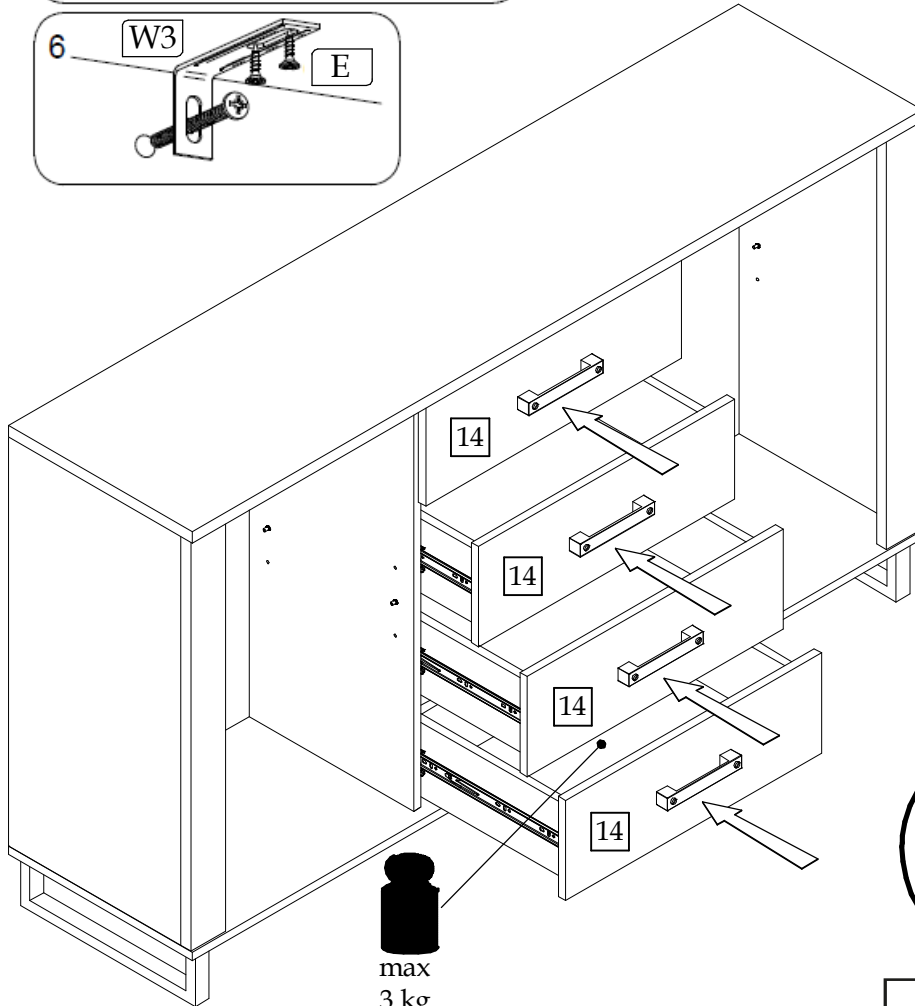
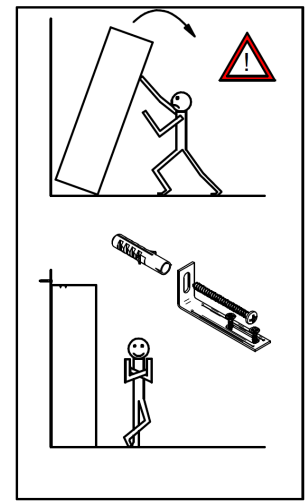
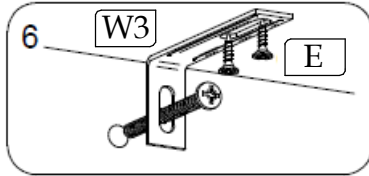
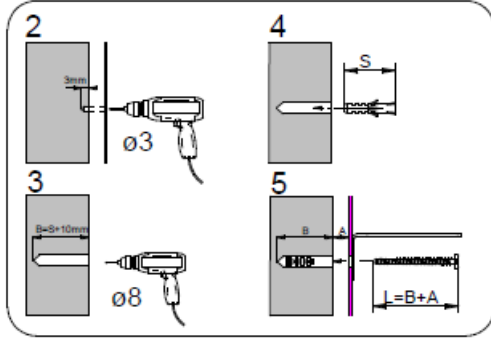
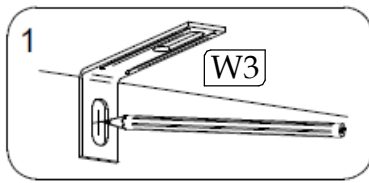


▶ 8

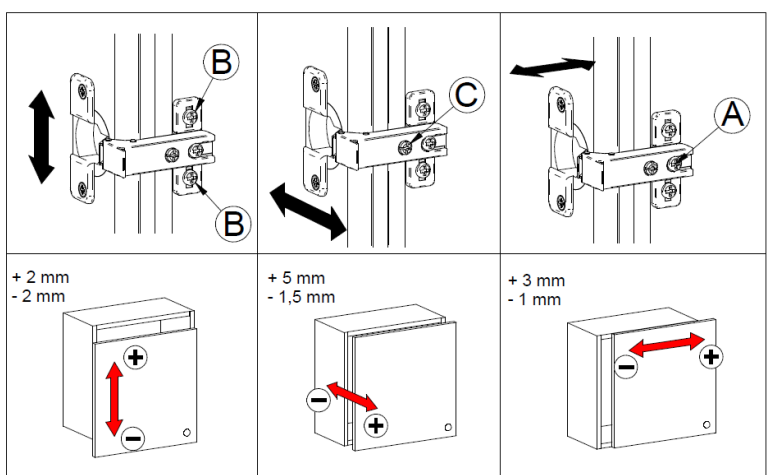
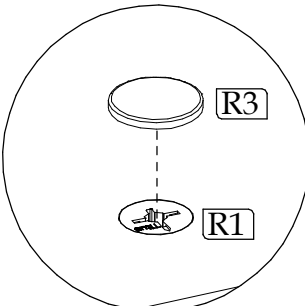
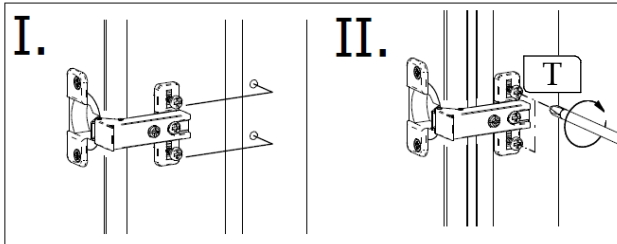
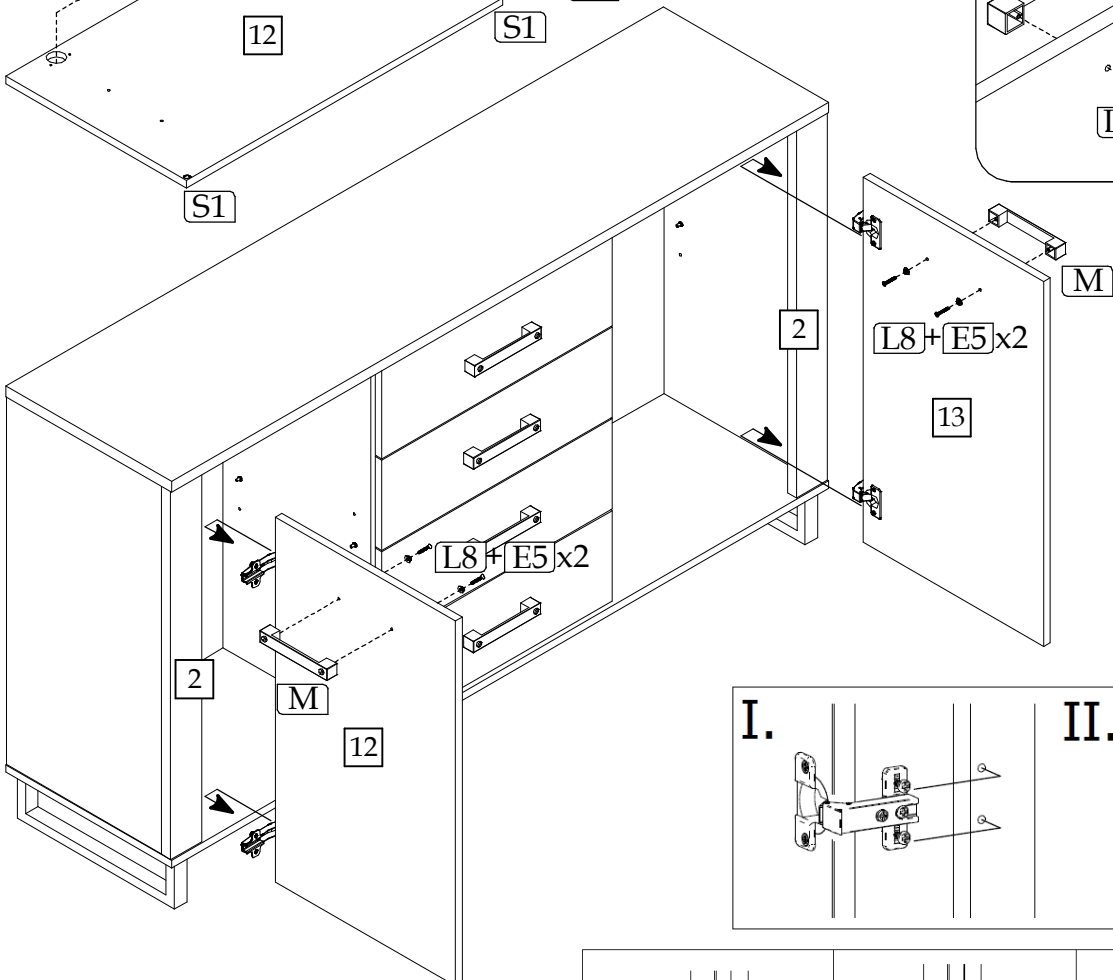
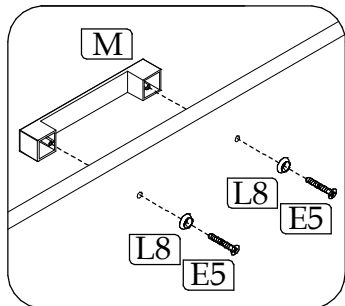
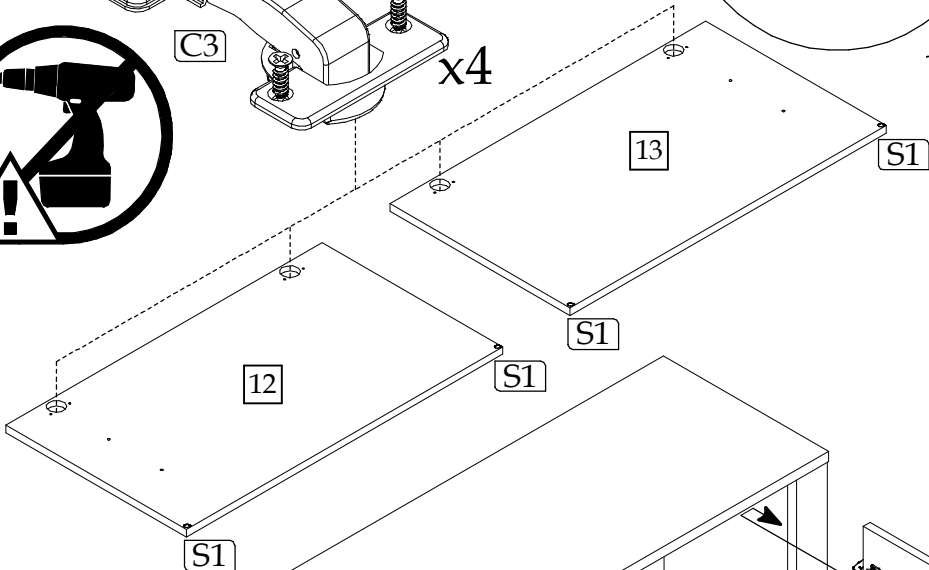
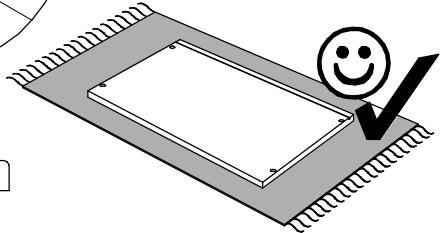
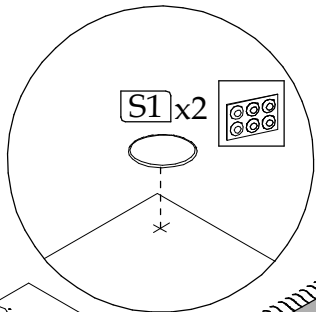
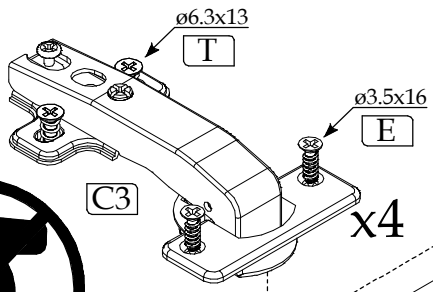
x4



▶ 9



▶ 10



▶ 11

