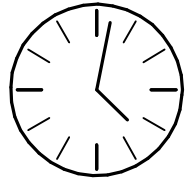
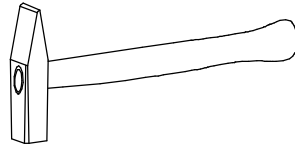
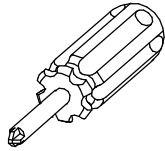
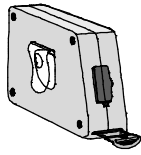
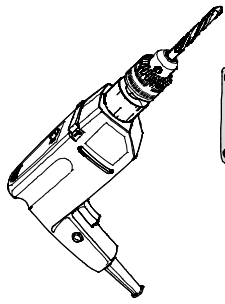
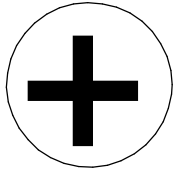
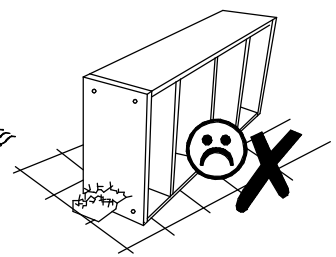
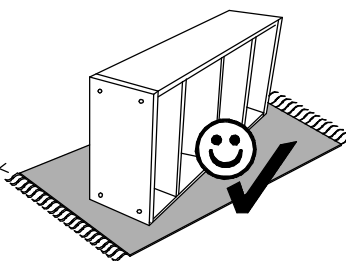
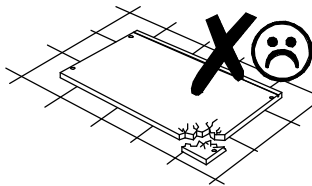
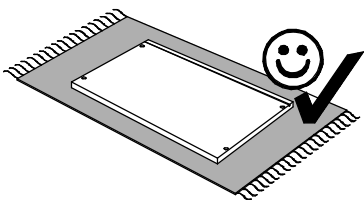
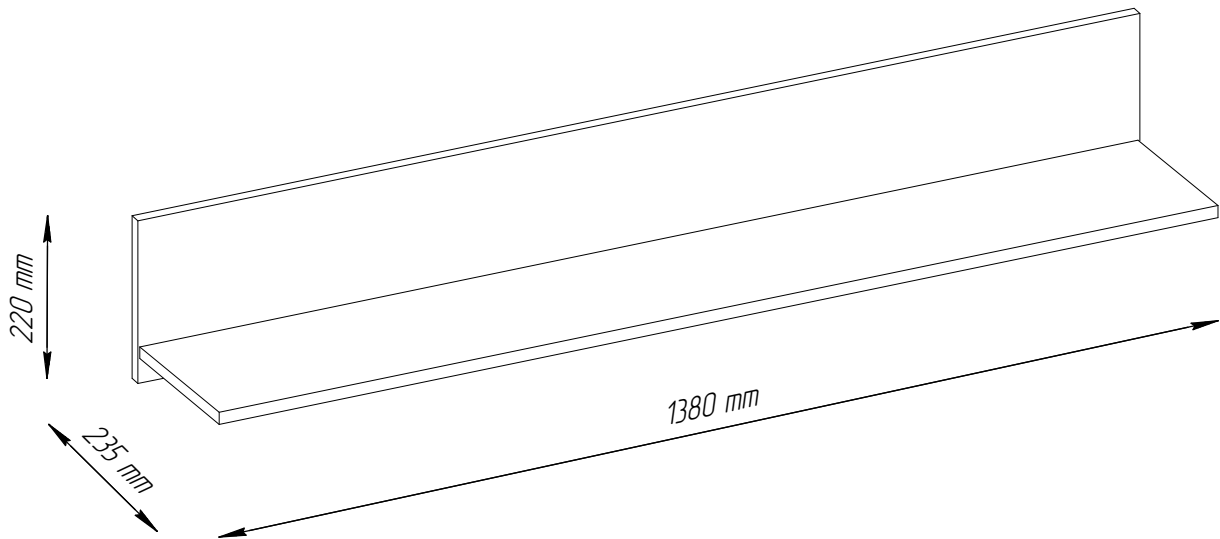
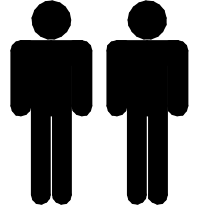
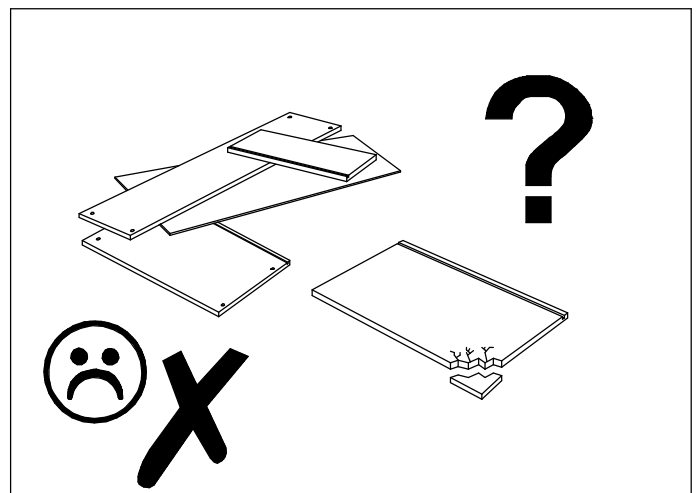
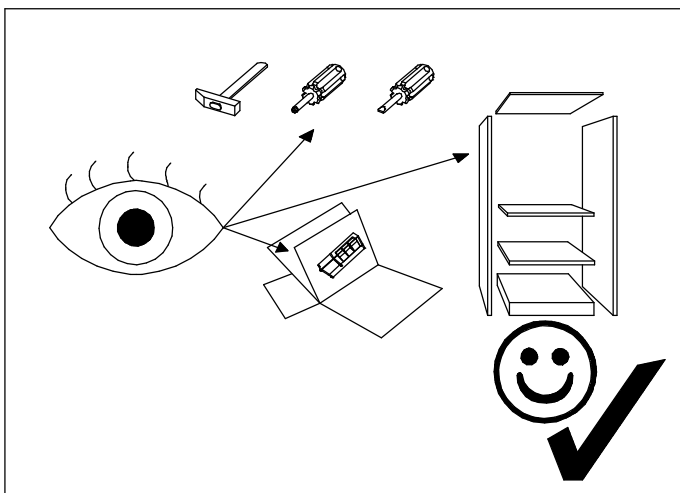
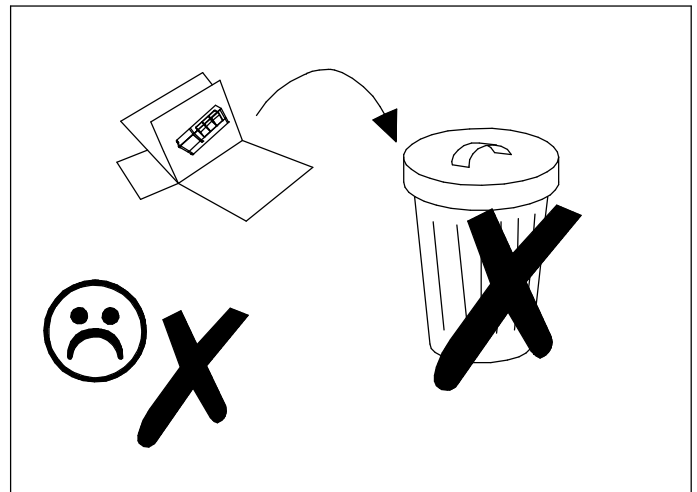
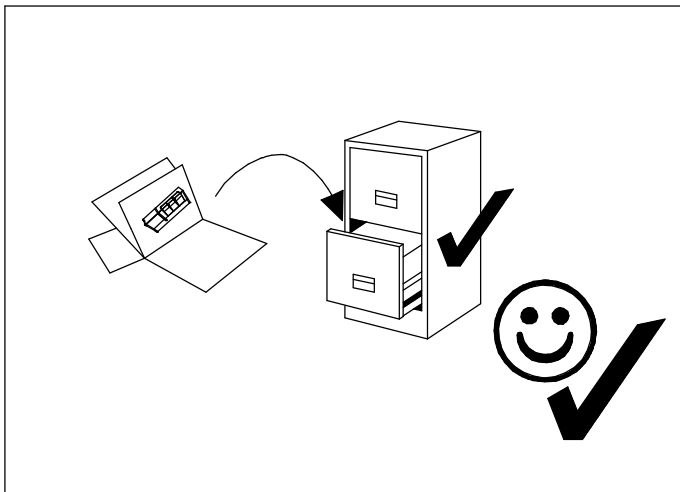
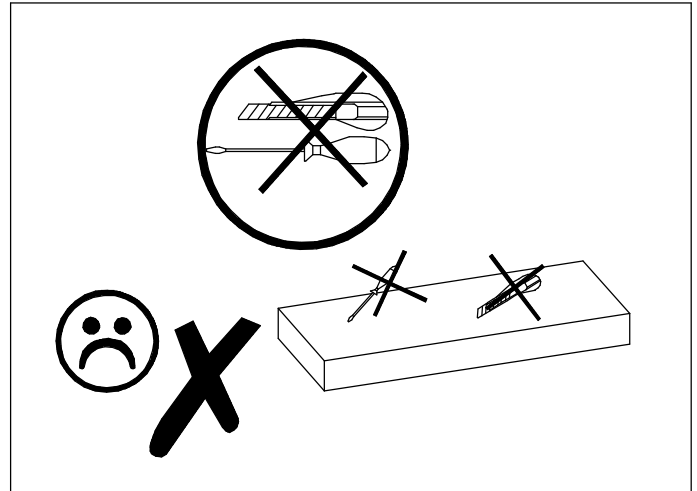
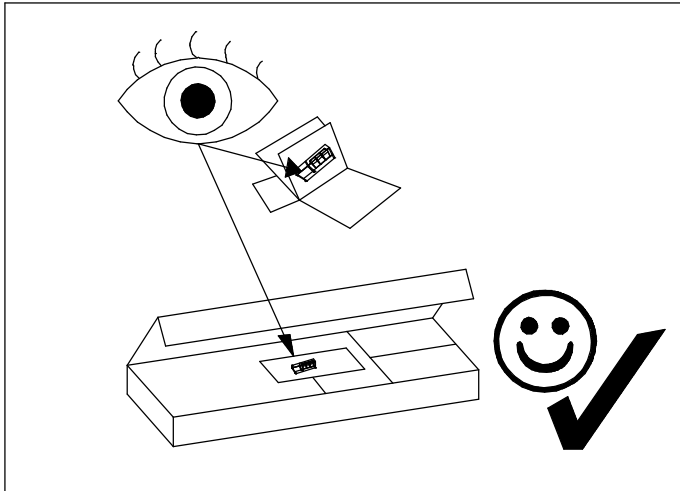


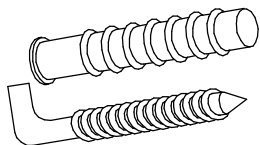
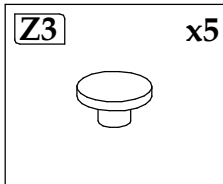
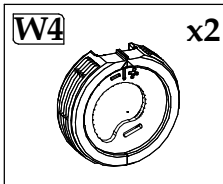
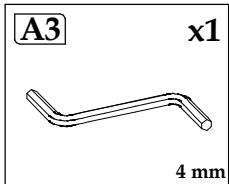
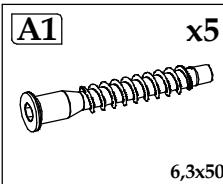
LEX D



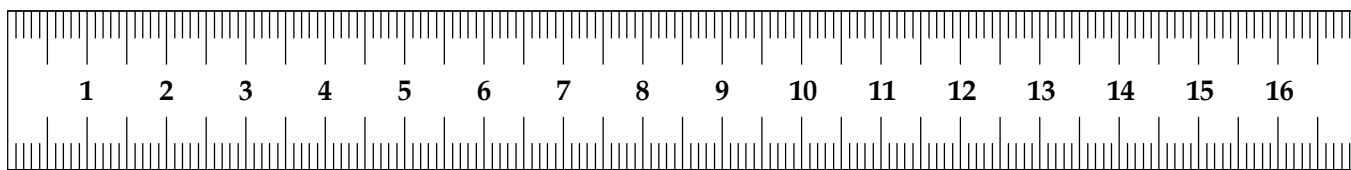
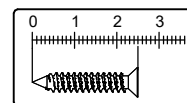
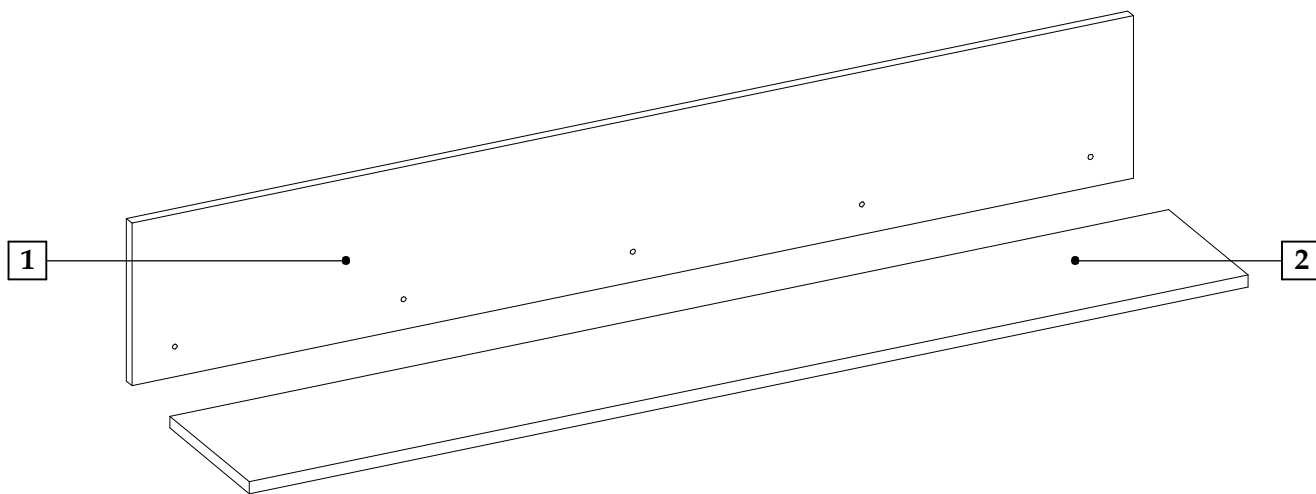
25 min



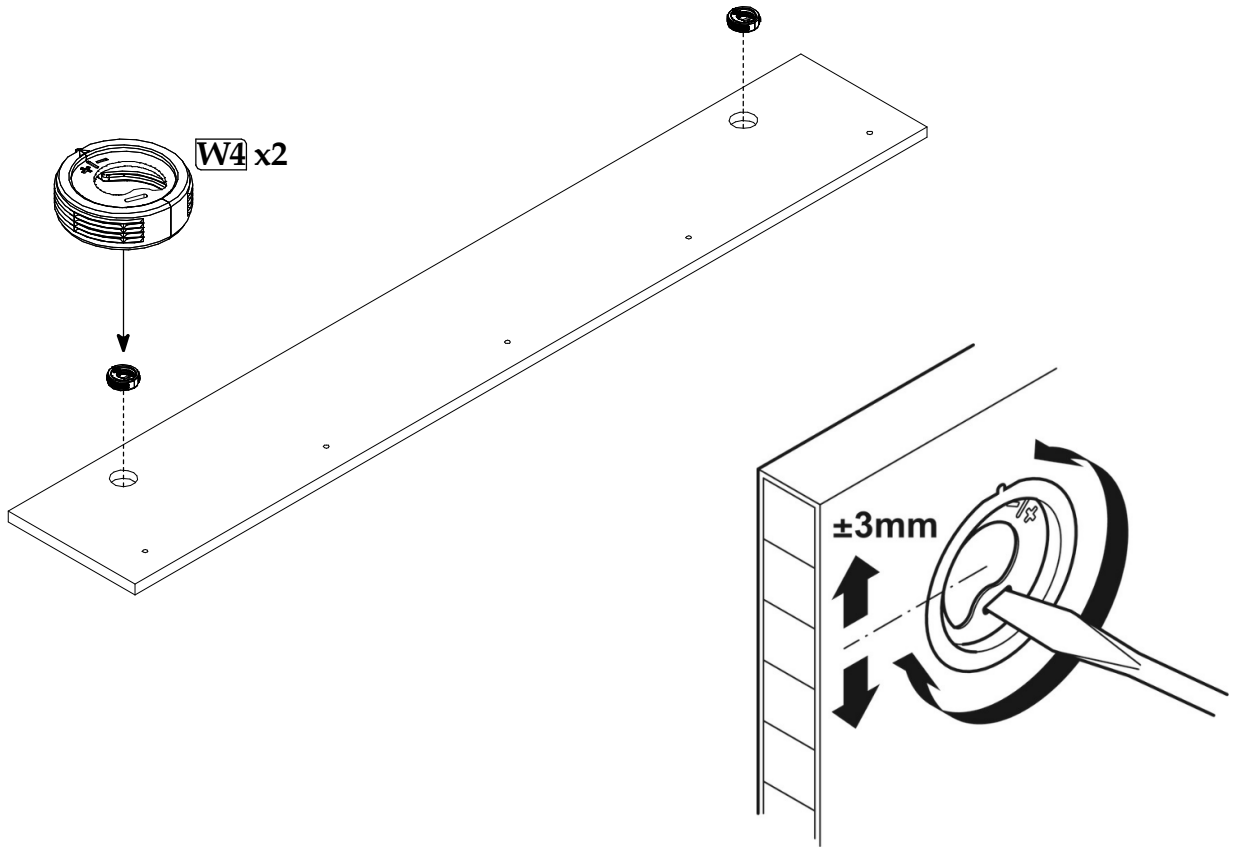




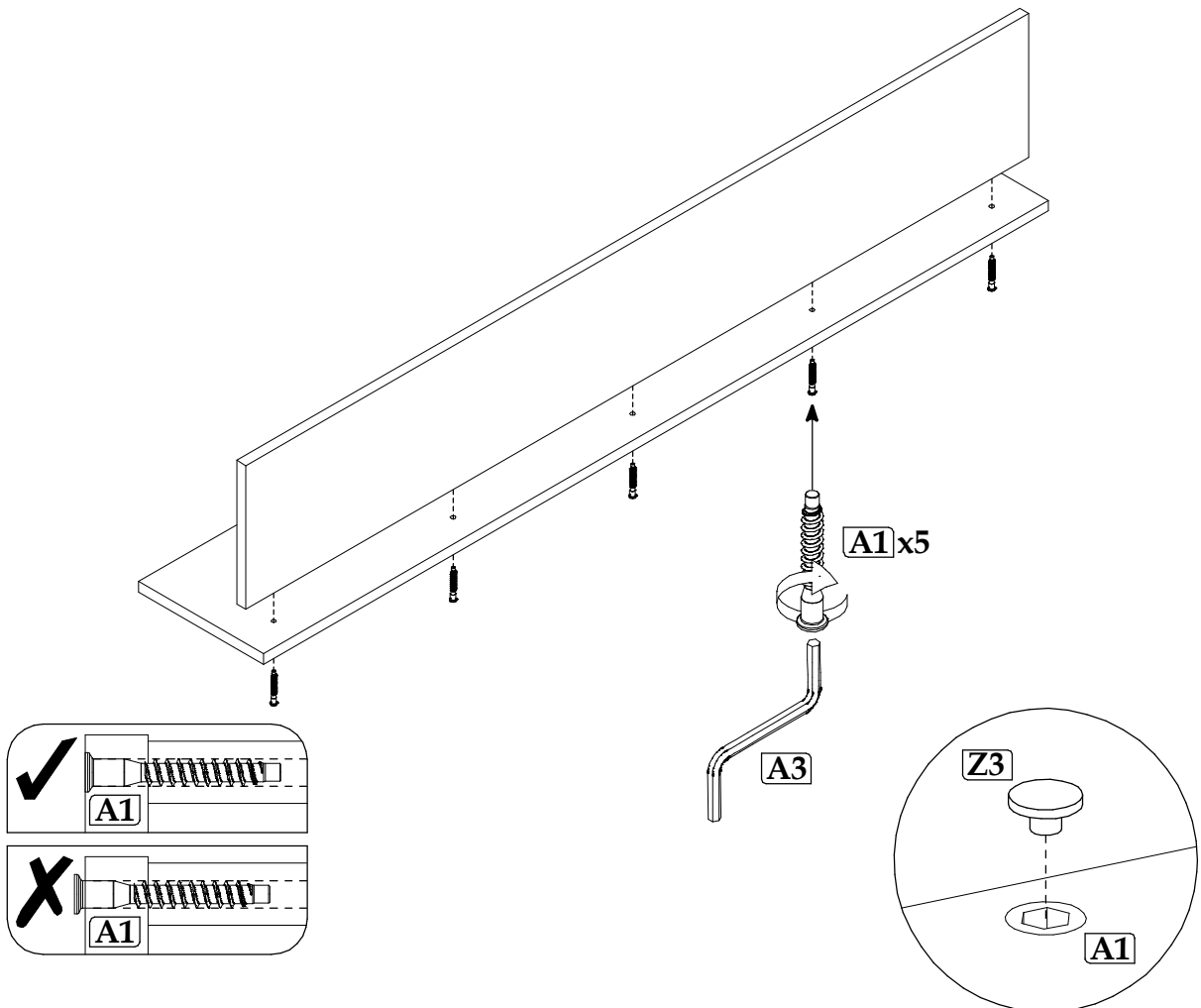
Element symbol	Measurements				Code	Pack
1	1380	220	16	1	1001	1/ 1
2	1376	219	16	1	1002	1/ 1



▶ 1



▶ 2



▶ 3

