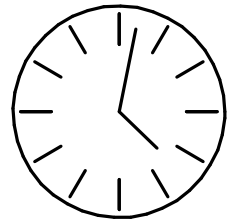
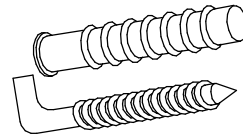
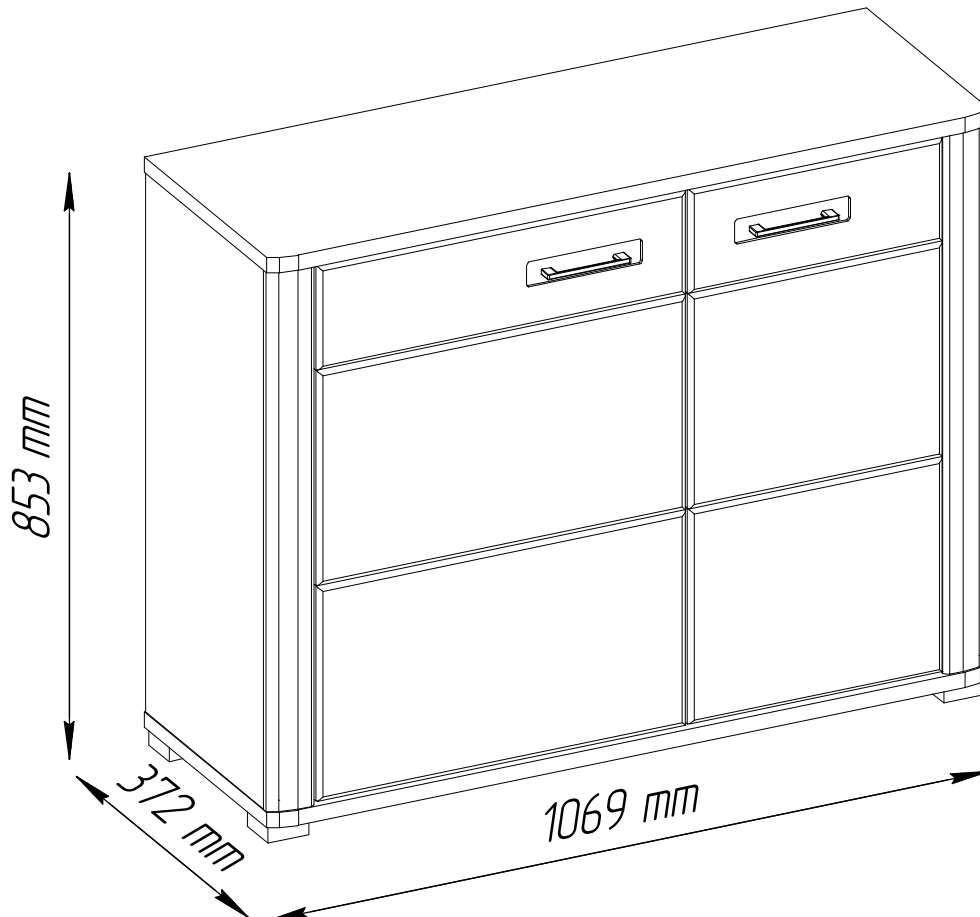
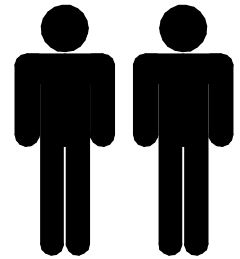


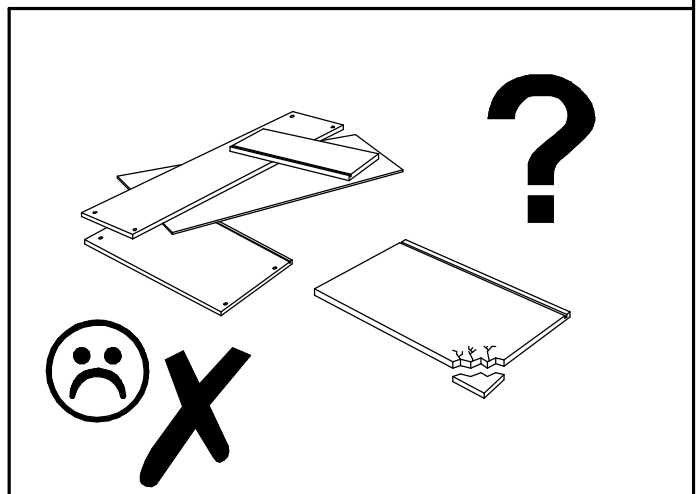
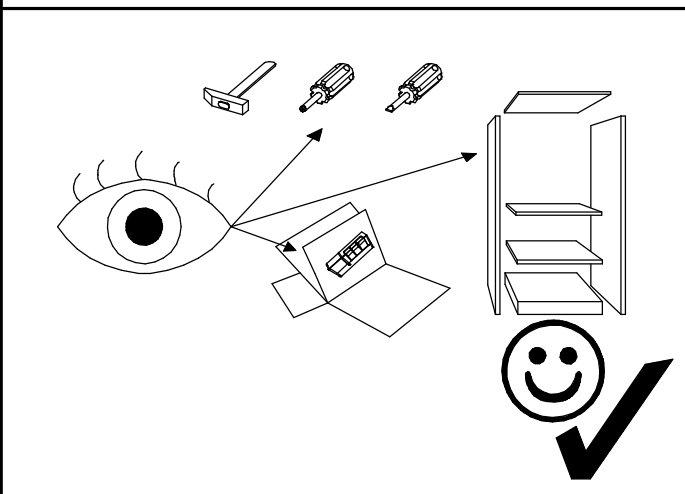
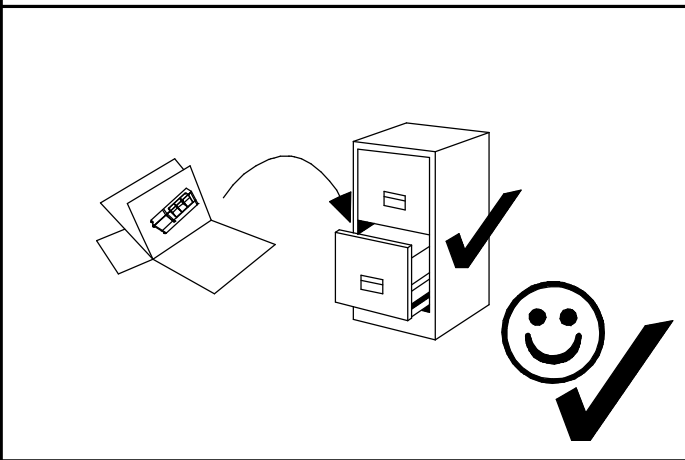
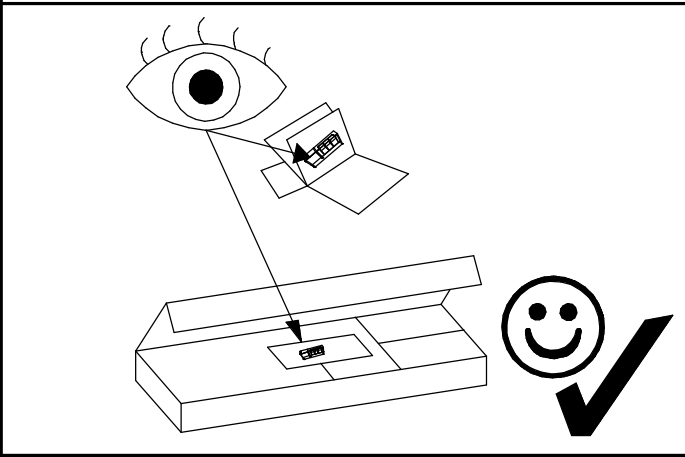
# MARTIN

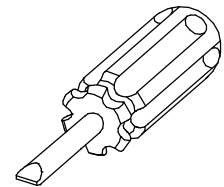
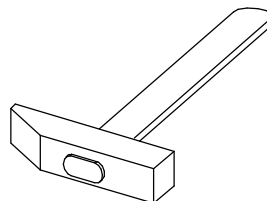
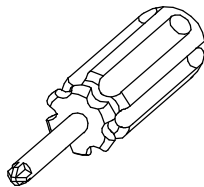
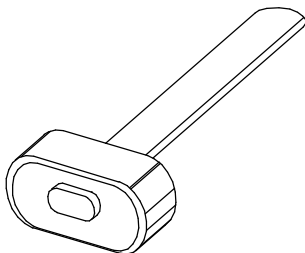
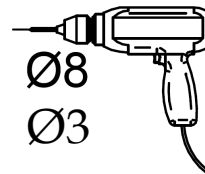
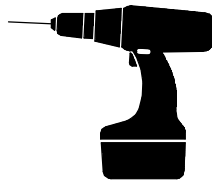
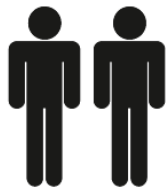
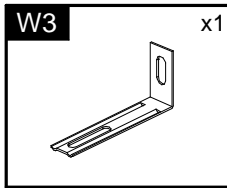
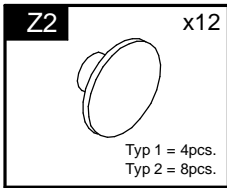
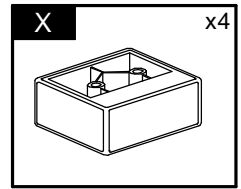
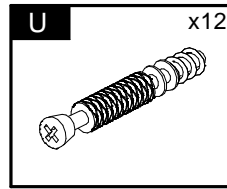
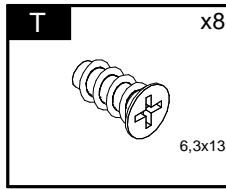
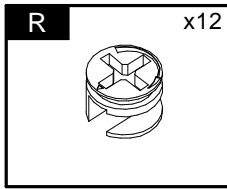
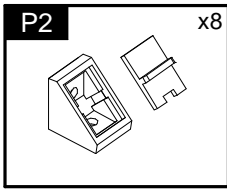
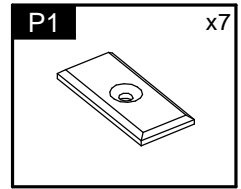
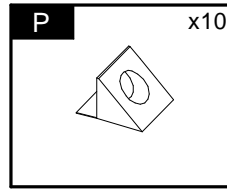
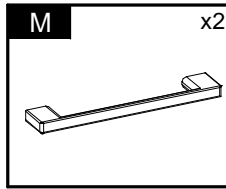
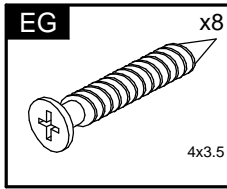
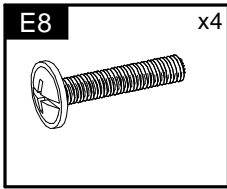
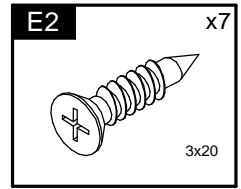
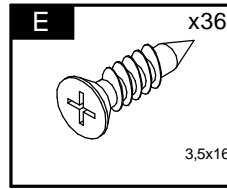
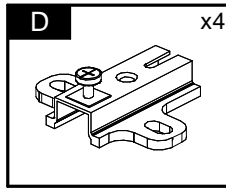
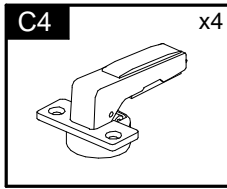
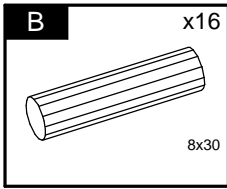
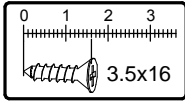
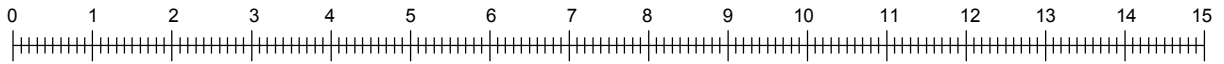
## Typ L

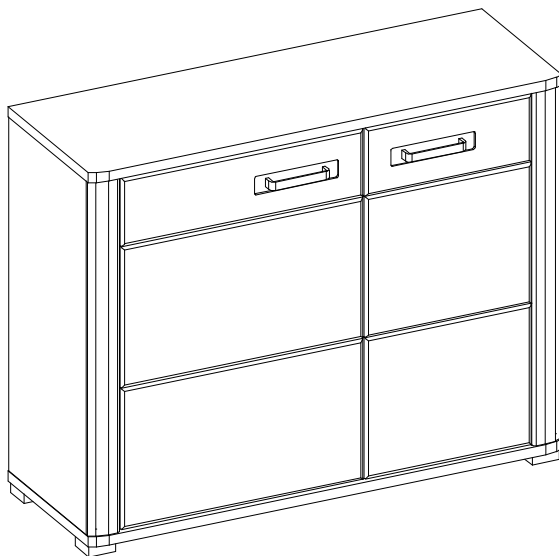


60 min

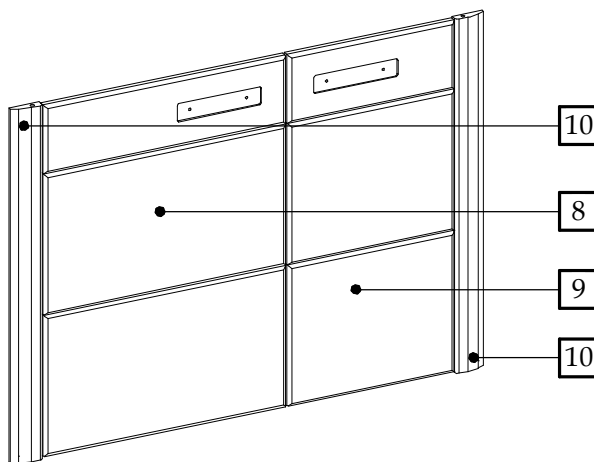
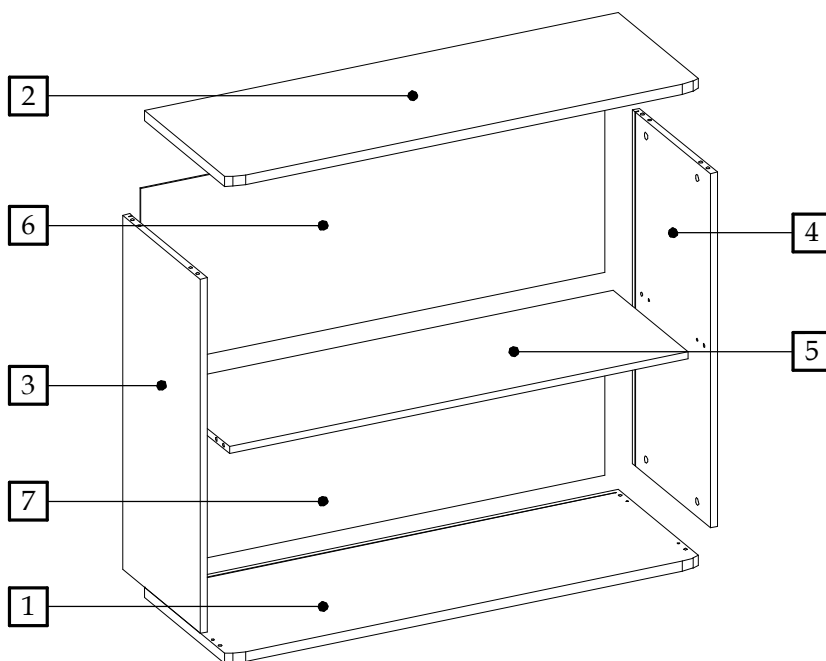


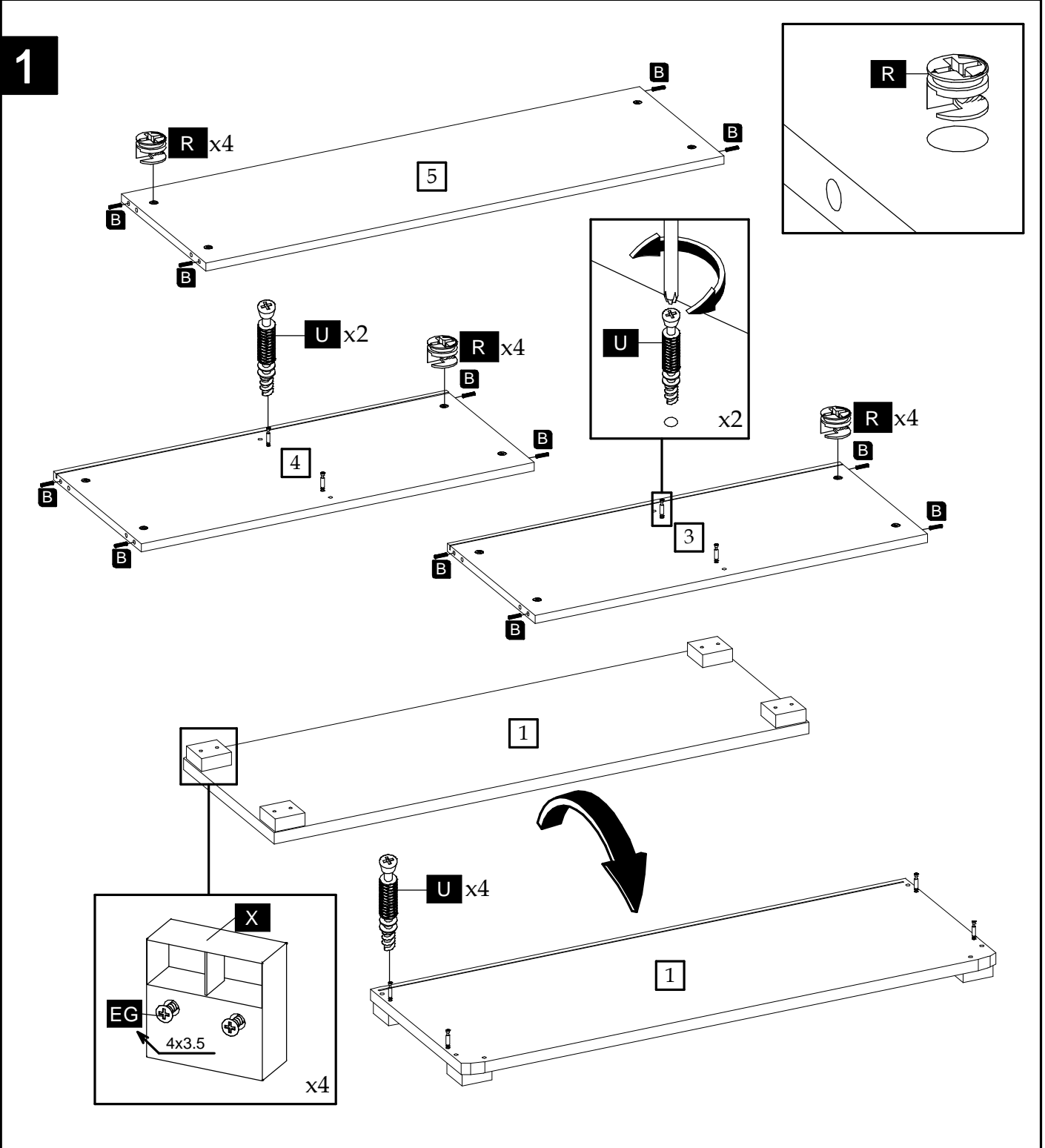




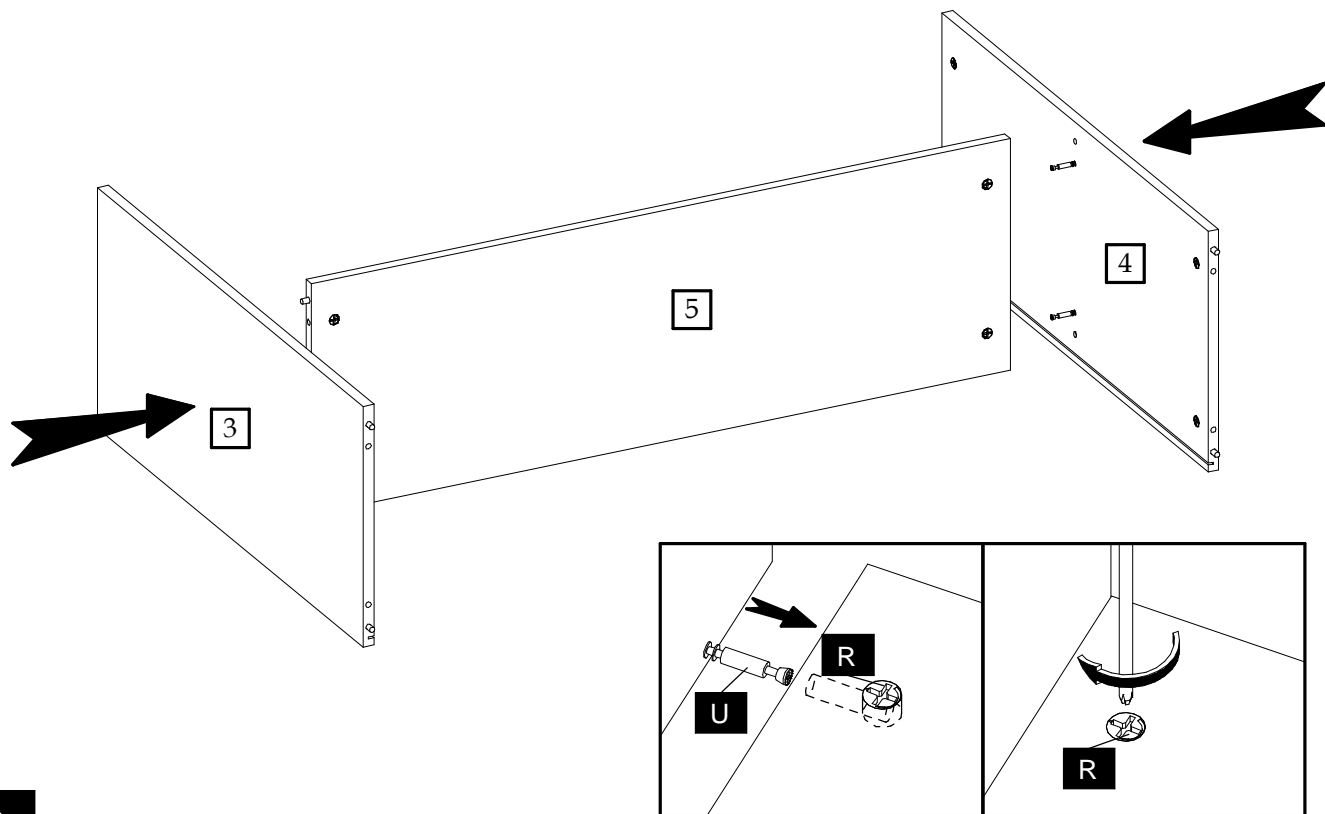


Element symbol	Measurements				Code	Paket
1	1069	372	22	1	1002	1/2
2	1069	372	22	1	1003	1/2
3	784	350	16	1	1004	1/2
4	784	350	16	1	1005	1/2
5	1034	336.5	16	1	1008	1/2
6	1047	398	2.5	1	1020_v	1/2
7	1047	398	2.5	1	N/A	1/2
8	779	547	19	1	3024	2/2
9	779	377	19	1	3025	2/2
10	784	68	19	2	1012	2/2

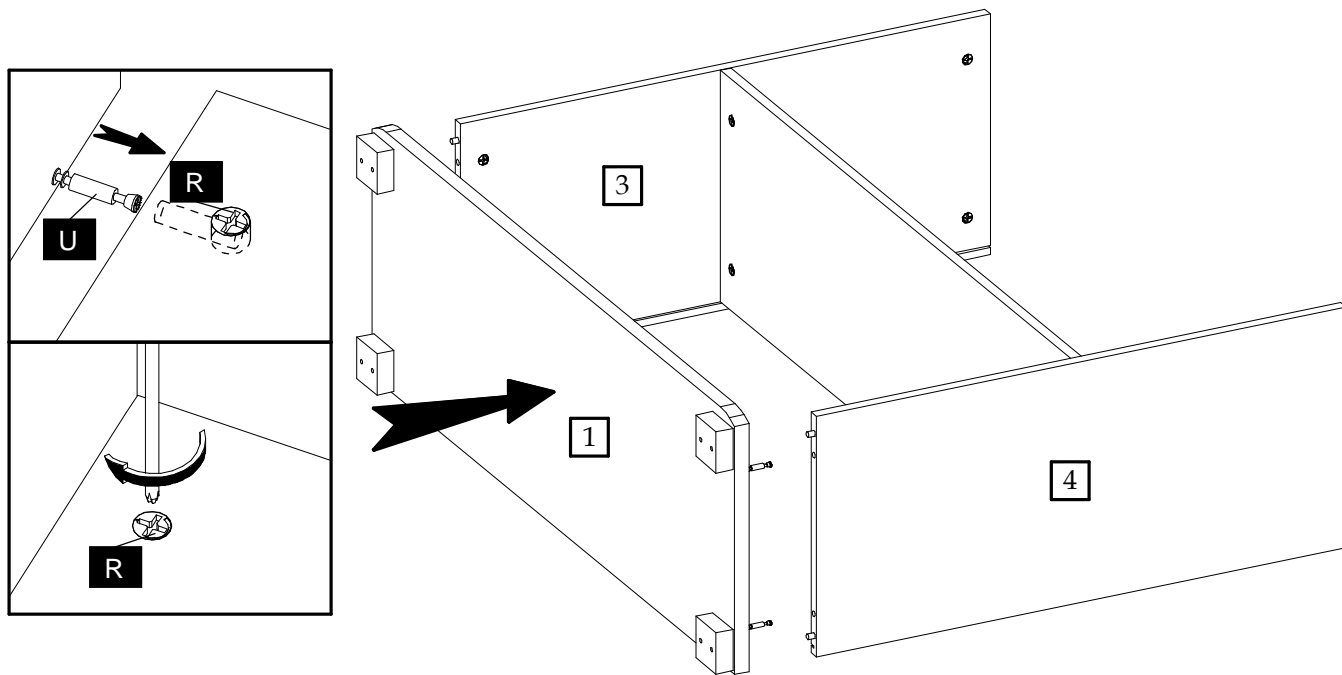




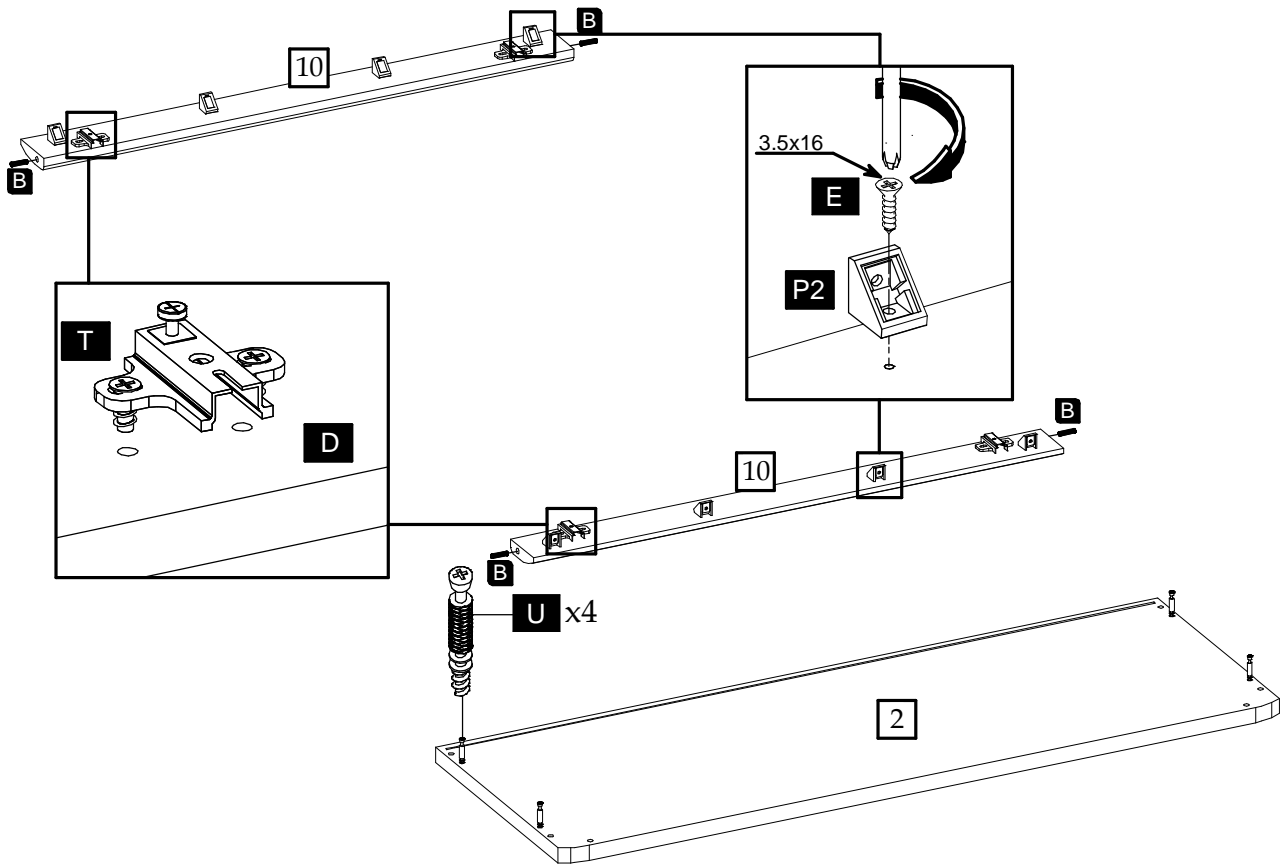
2



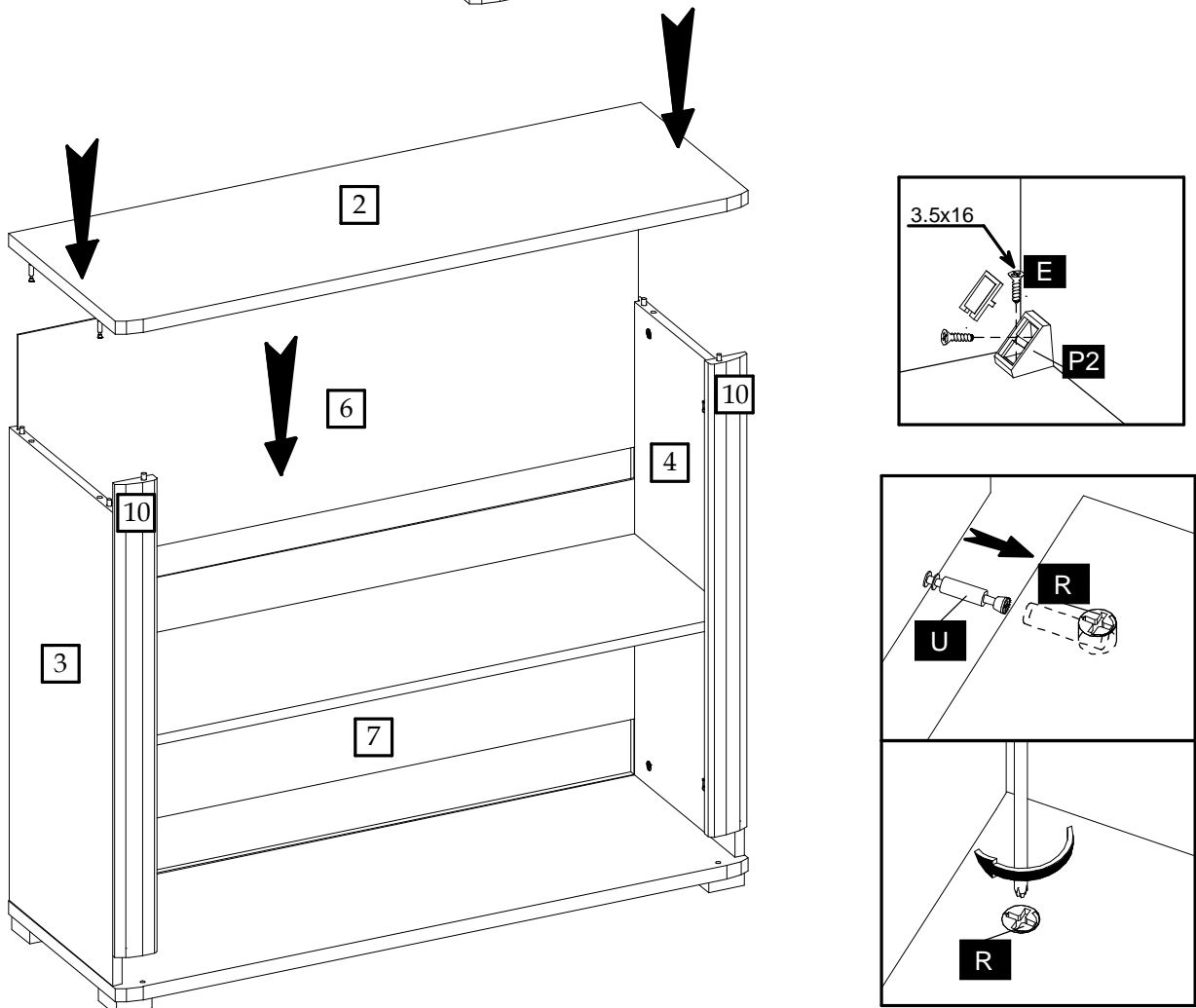
3



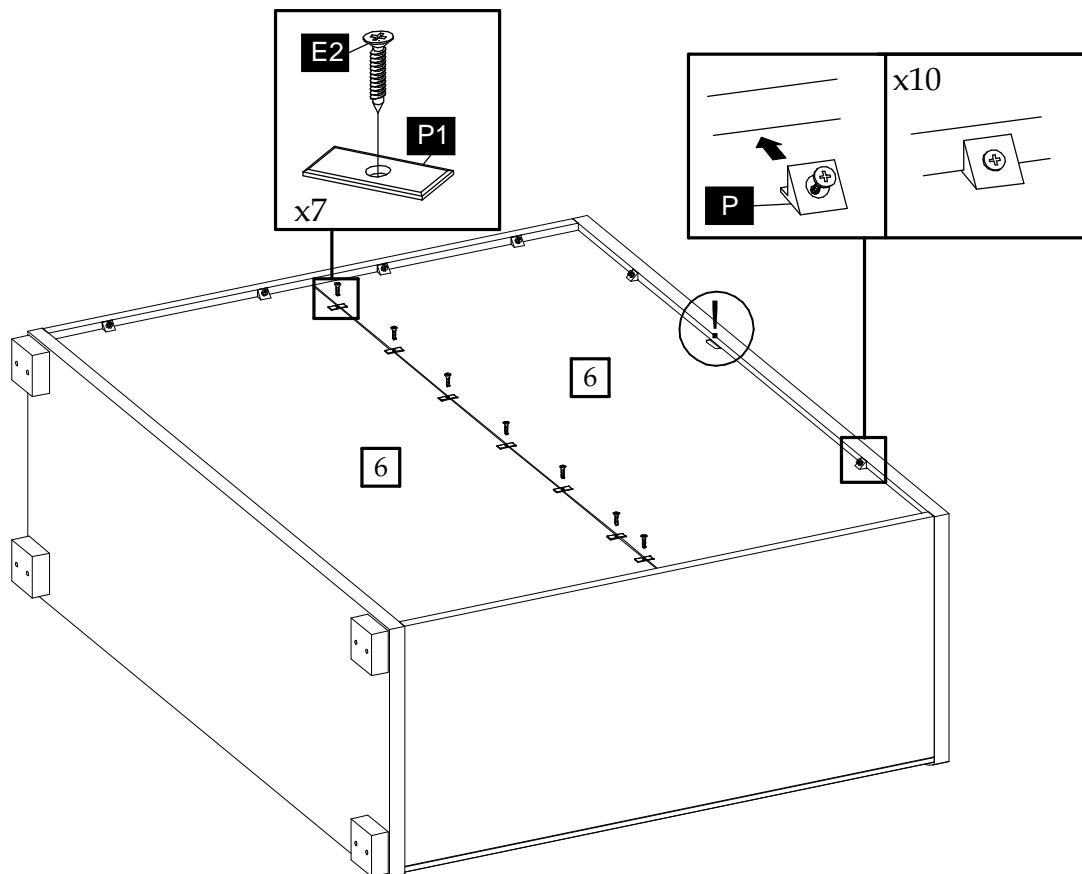
4



5



6



7

