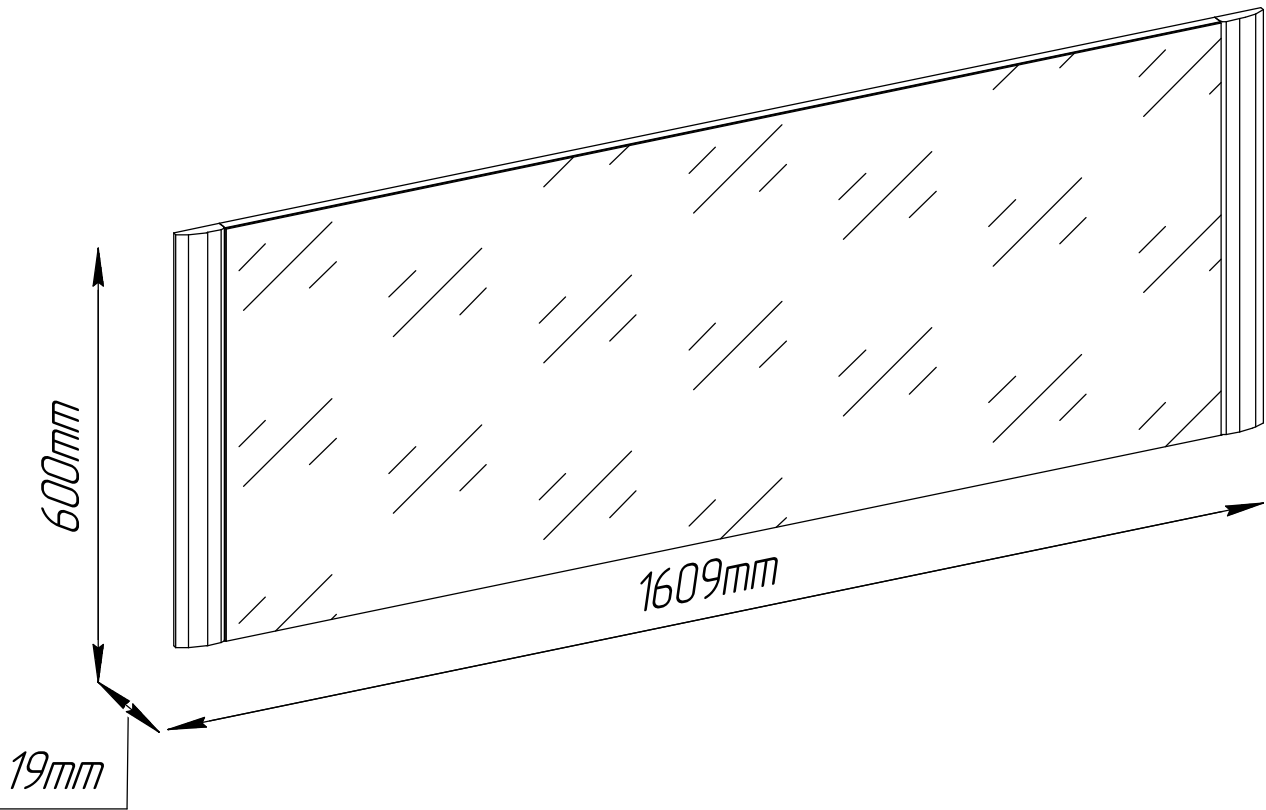
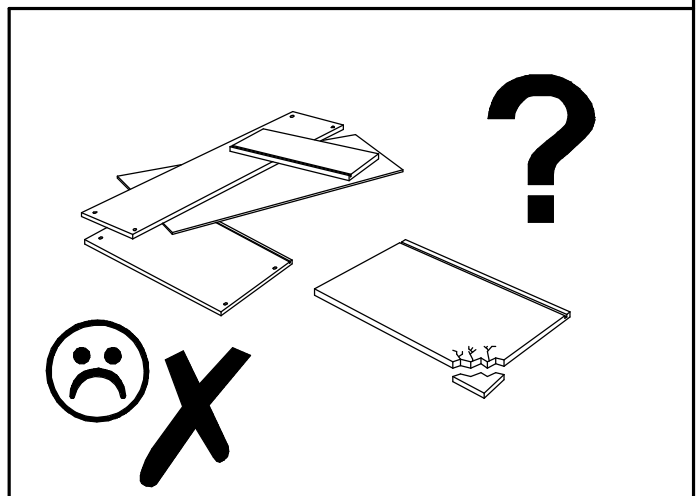
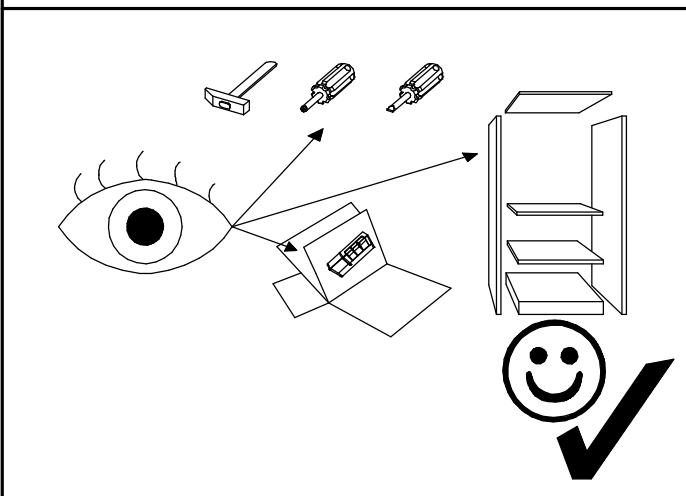
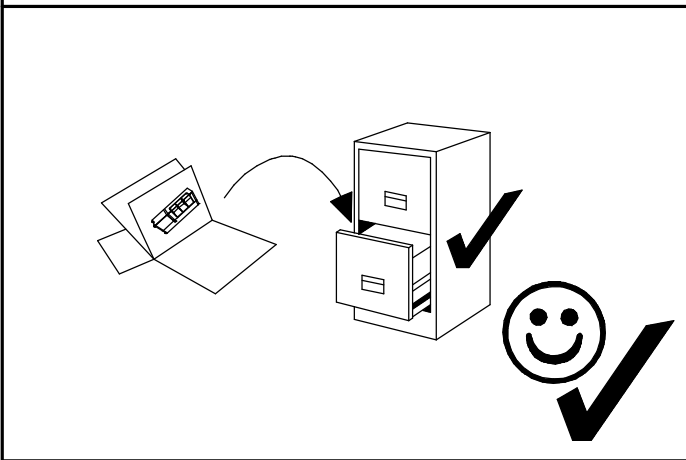
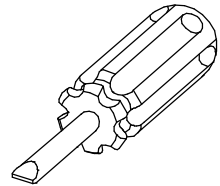
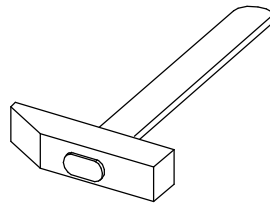
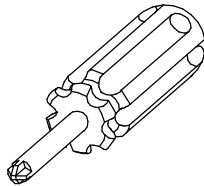
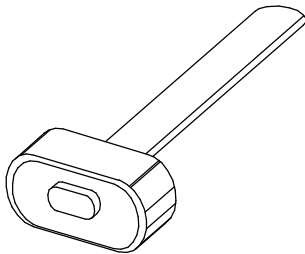
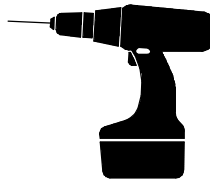
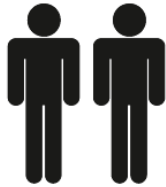
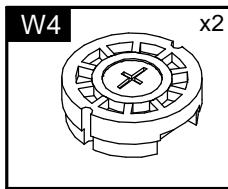
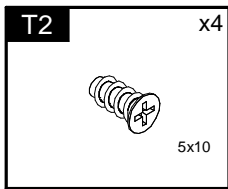
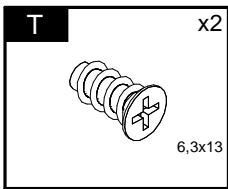


# MARTIN

Typ W2







Element symbol	Measurements				Code	Paket
1	1609	600	19	1	1001	1/1

