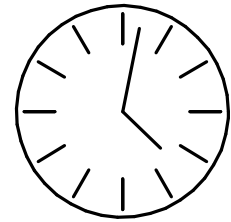
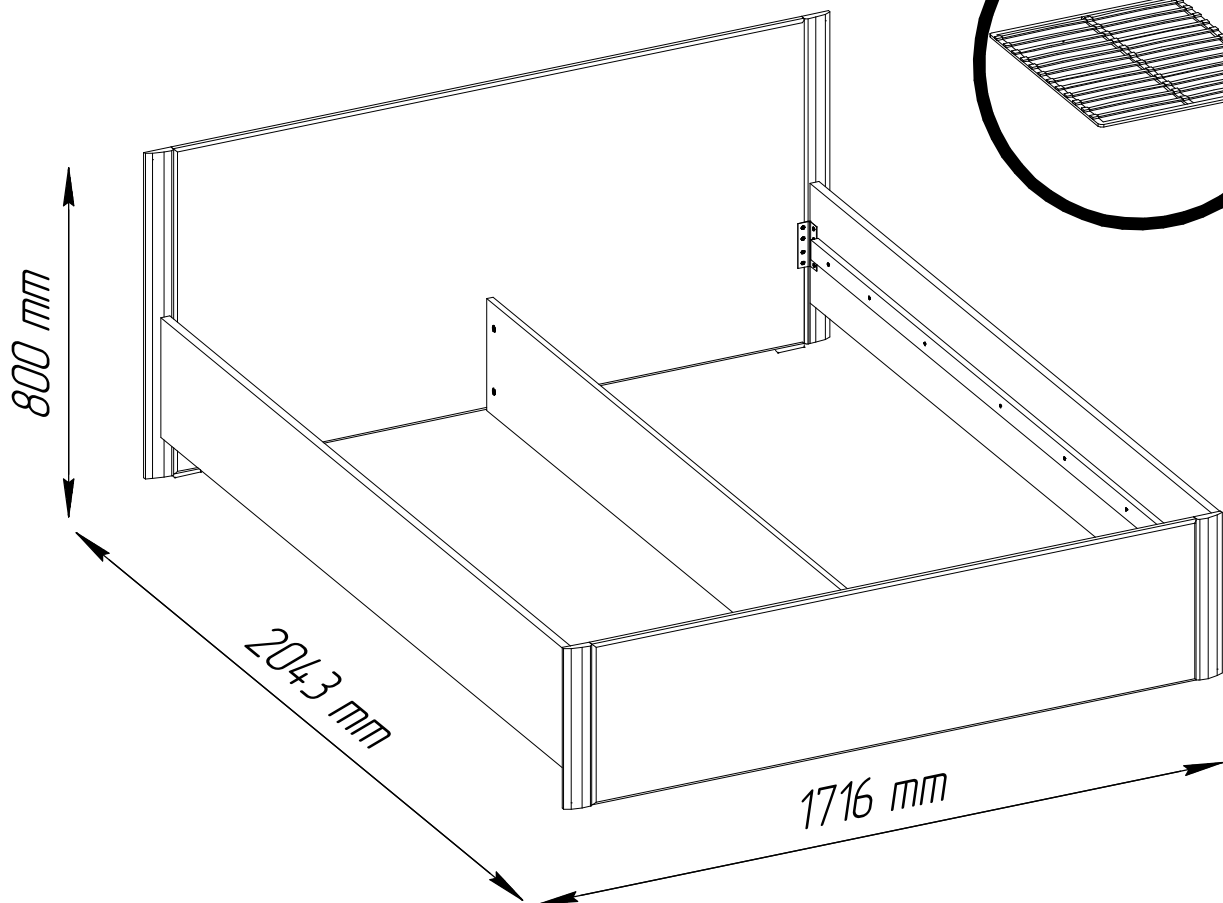
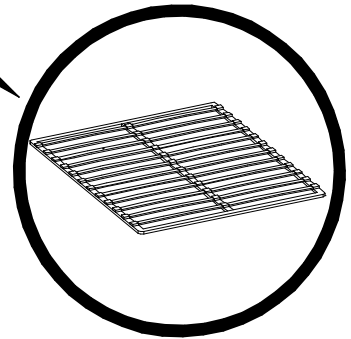
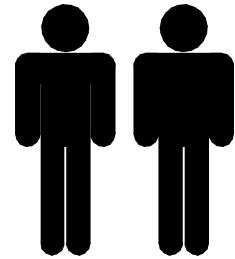


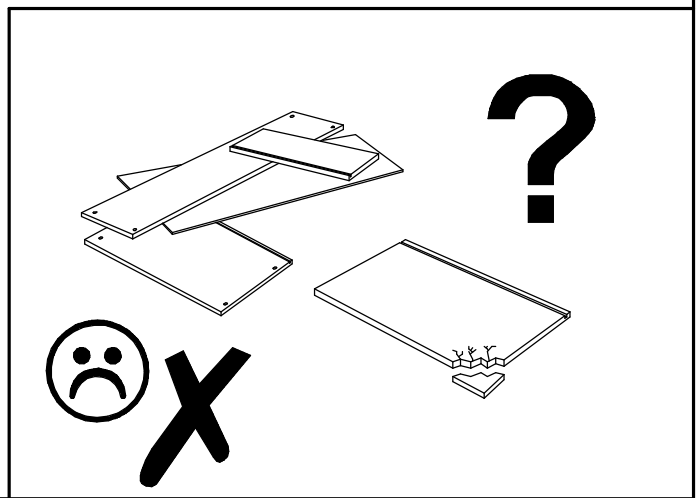
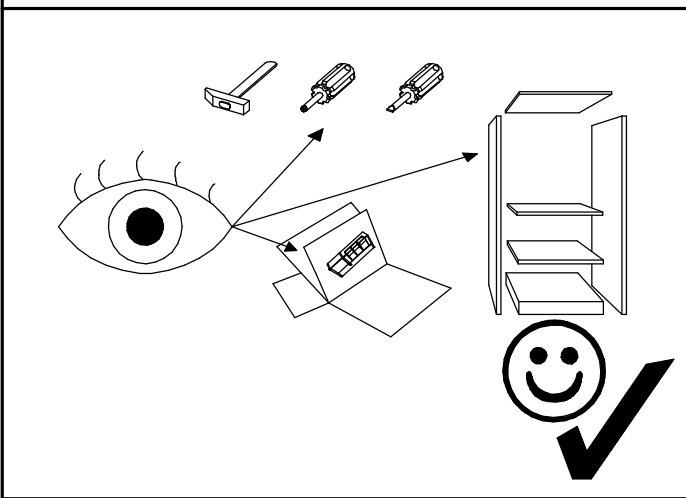
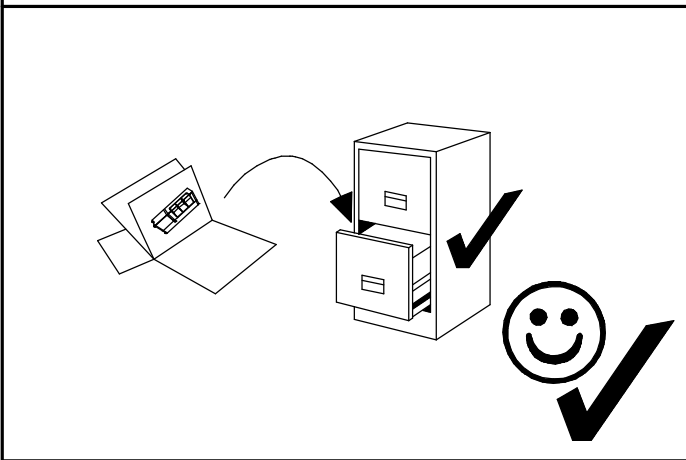
# MARTIN

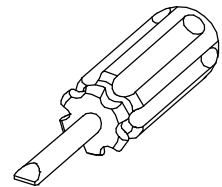
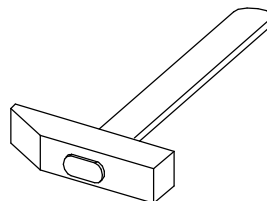
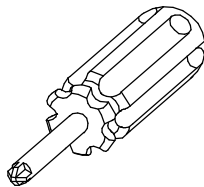
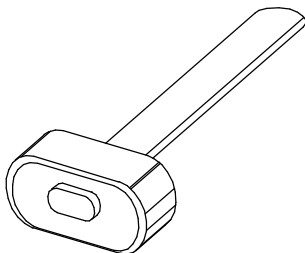
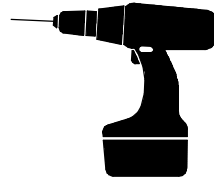
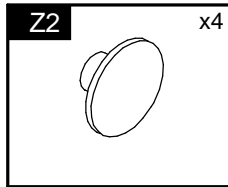
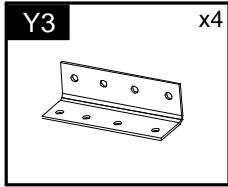
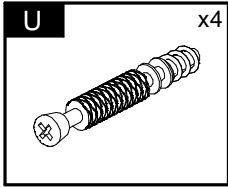
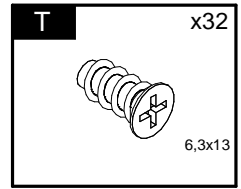
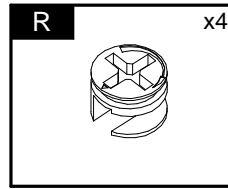
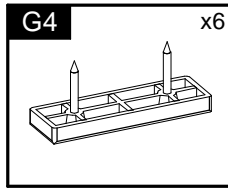
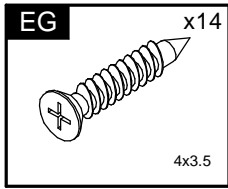
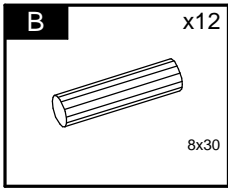
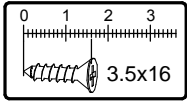
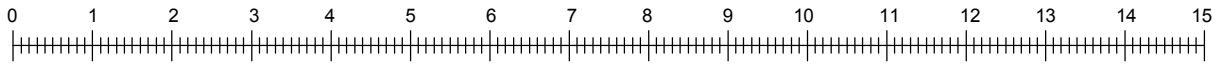
## Typ Z2

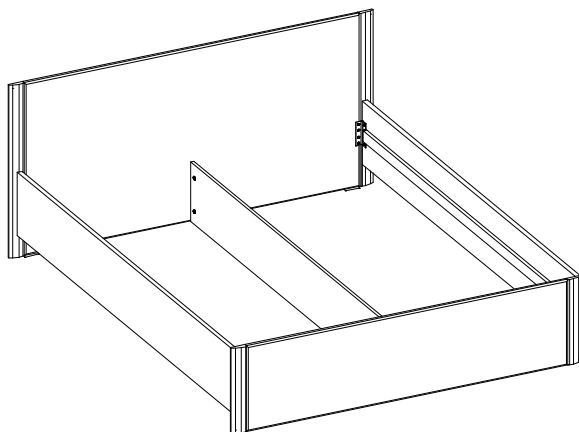


40 min

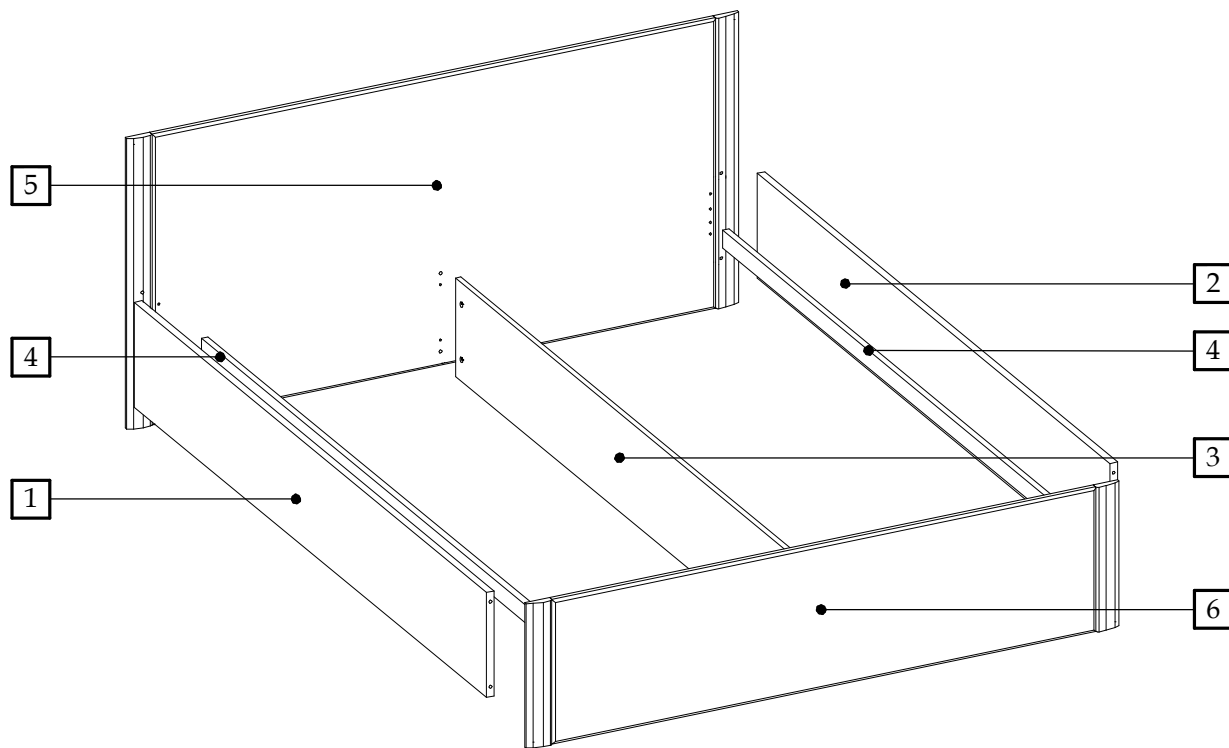


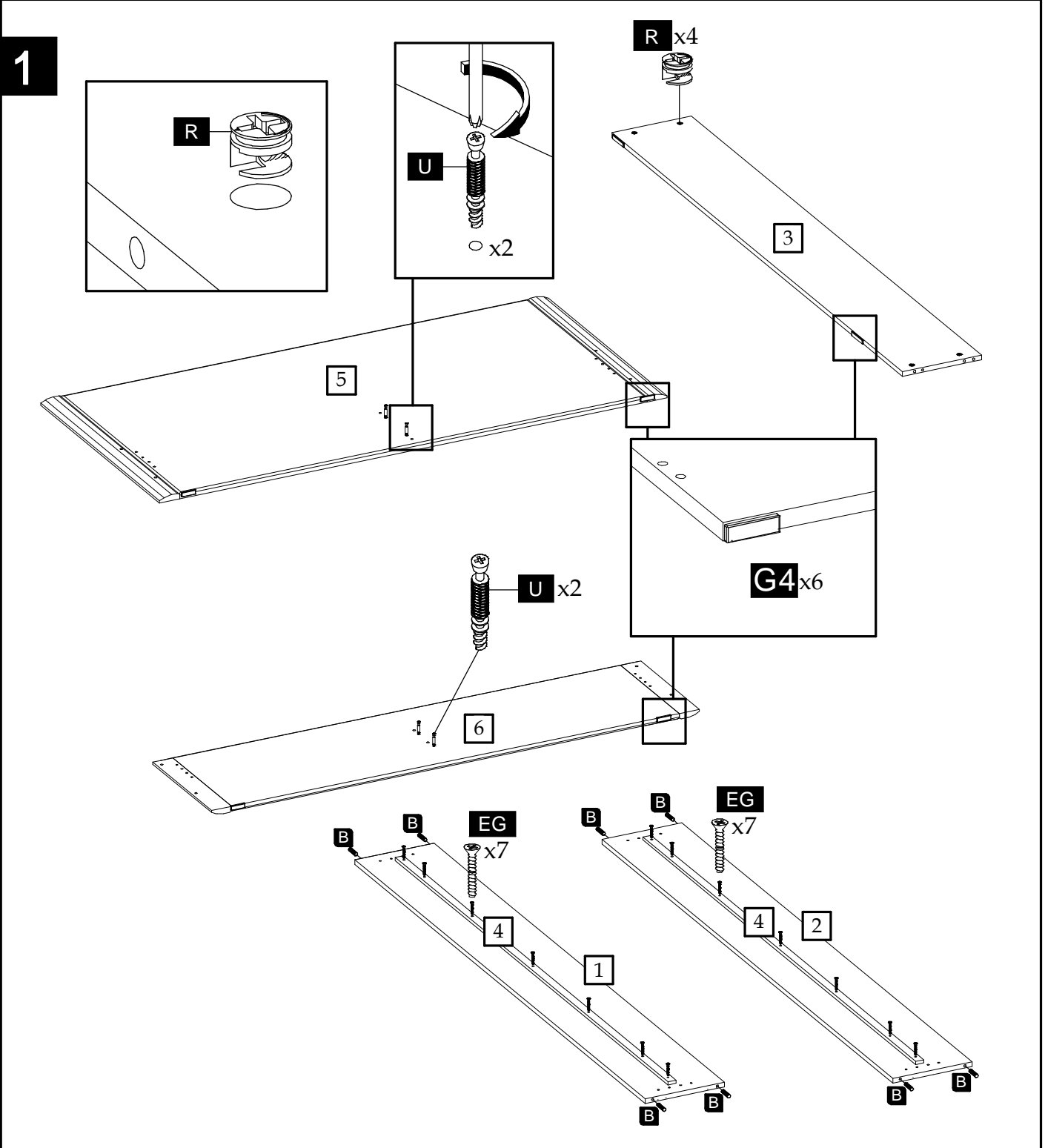




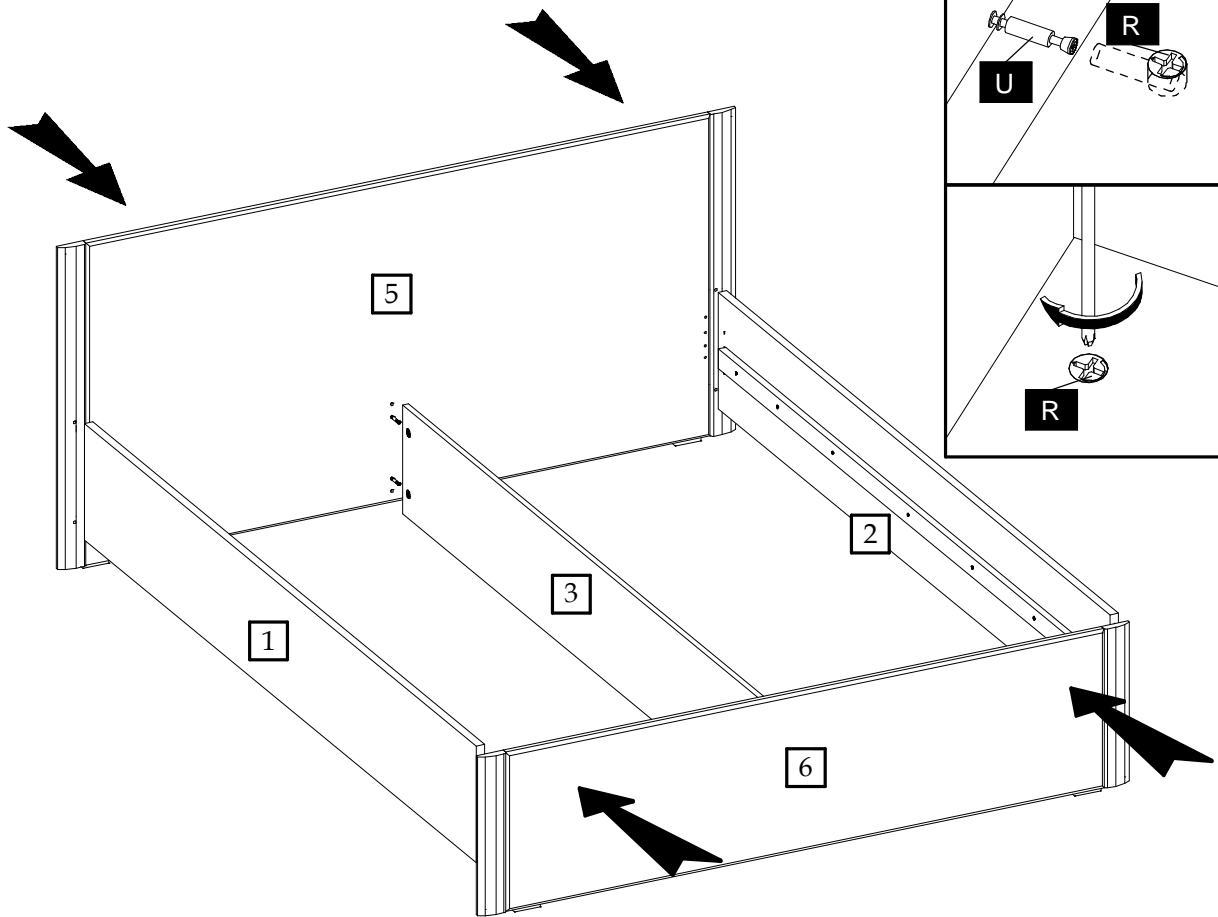


Element symbol	Measurements				Code	Paket
1	2005	294	22	1	1003	1/2
2	2005	294	22	1	1005	1/2
3	2005	275	16	1	1006	1/2
4	1925	50	19	2	1007	1/2
5	1716	800	19	1	3002	2/2
6	1650	395	19	1	3004	2/2





2



3

