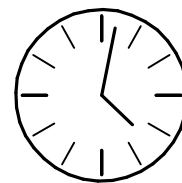
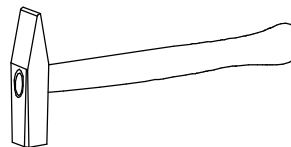
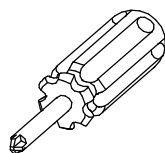
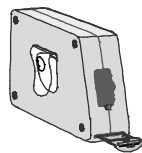
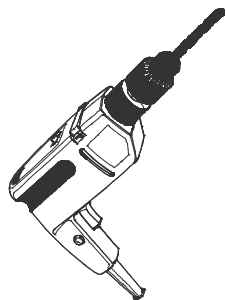
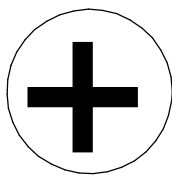
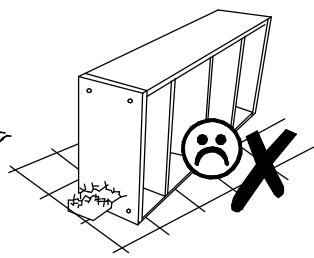
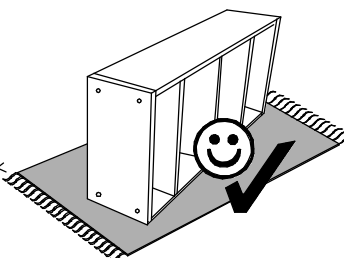
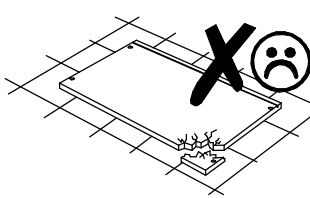
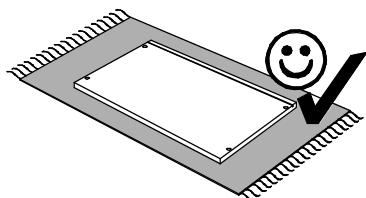
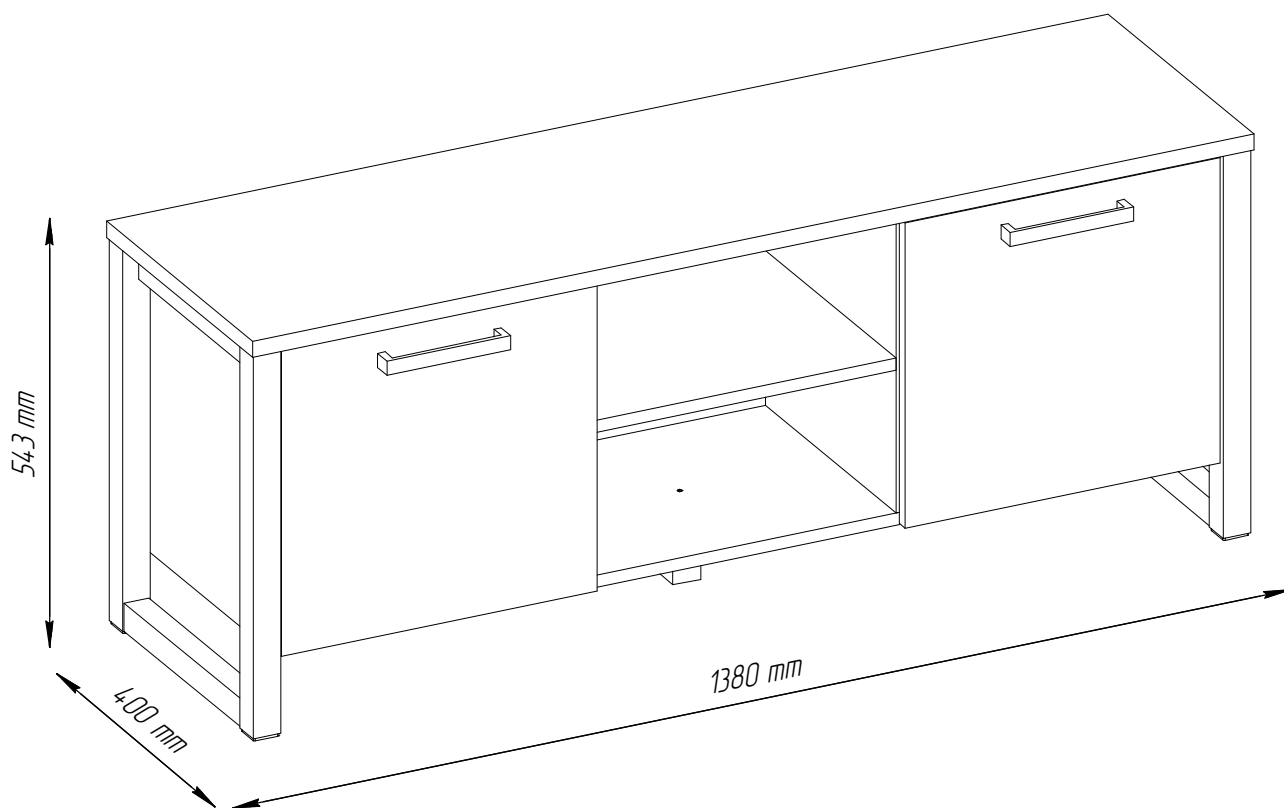
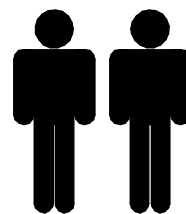
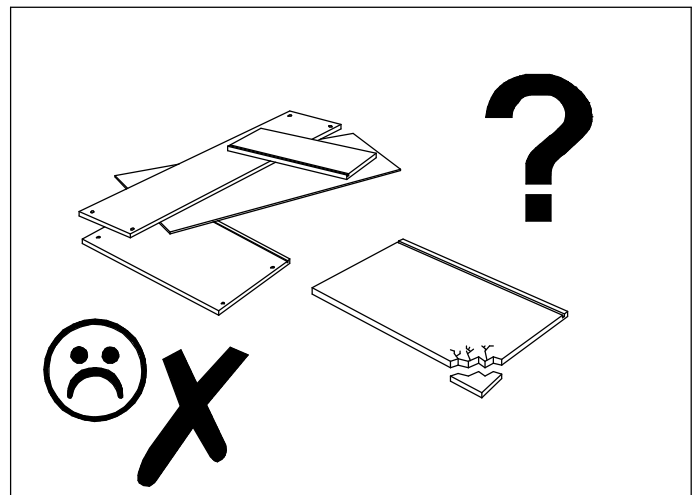
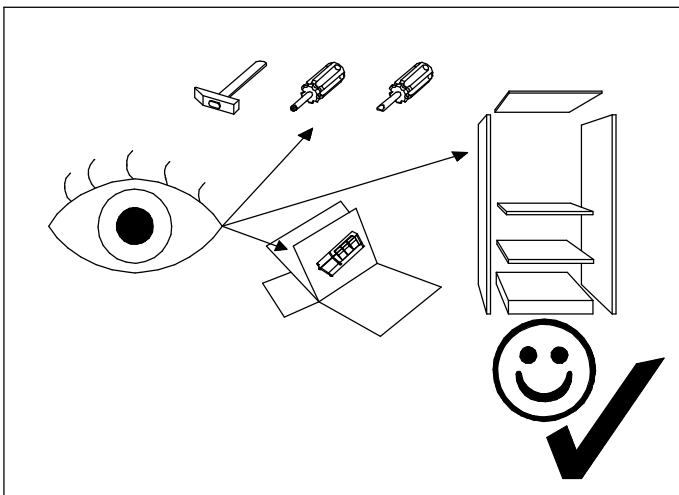
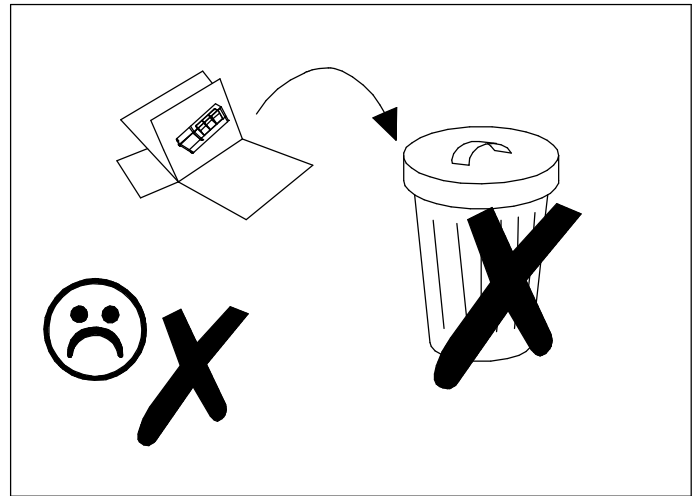
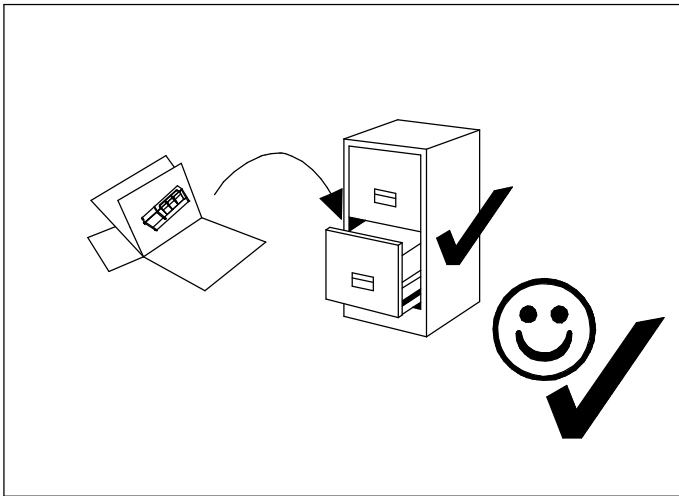
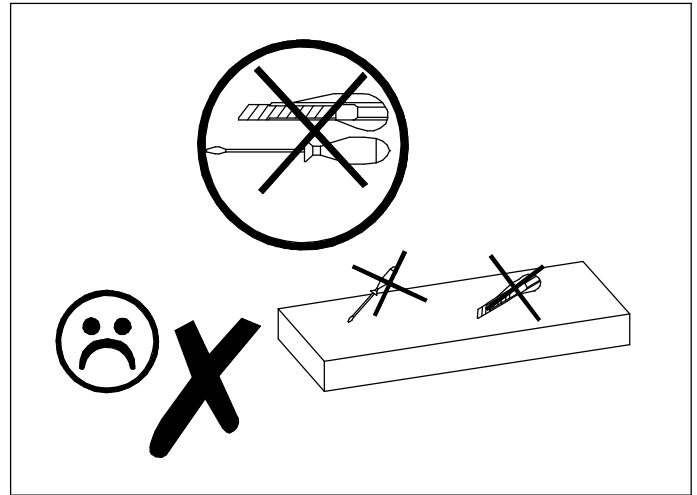
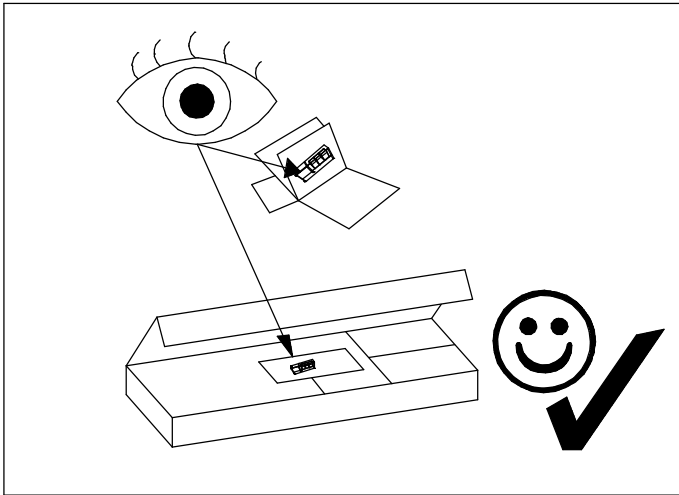


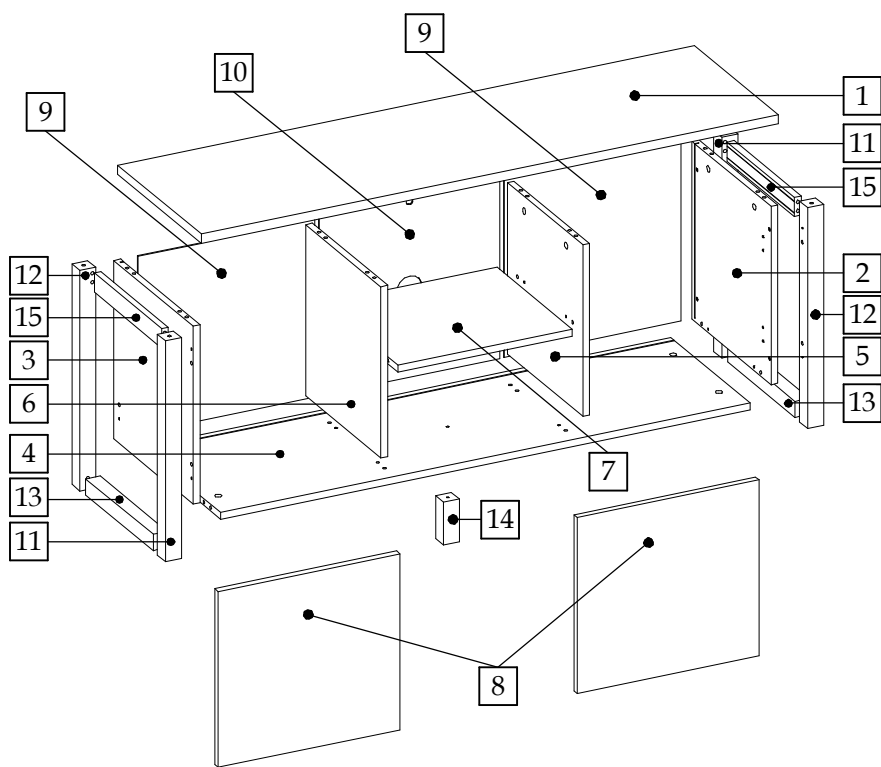
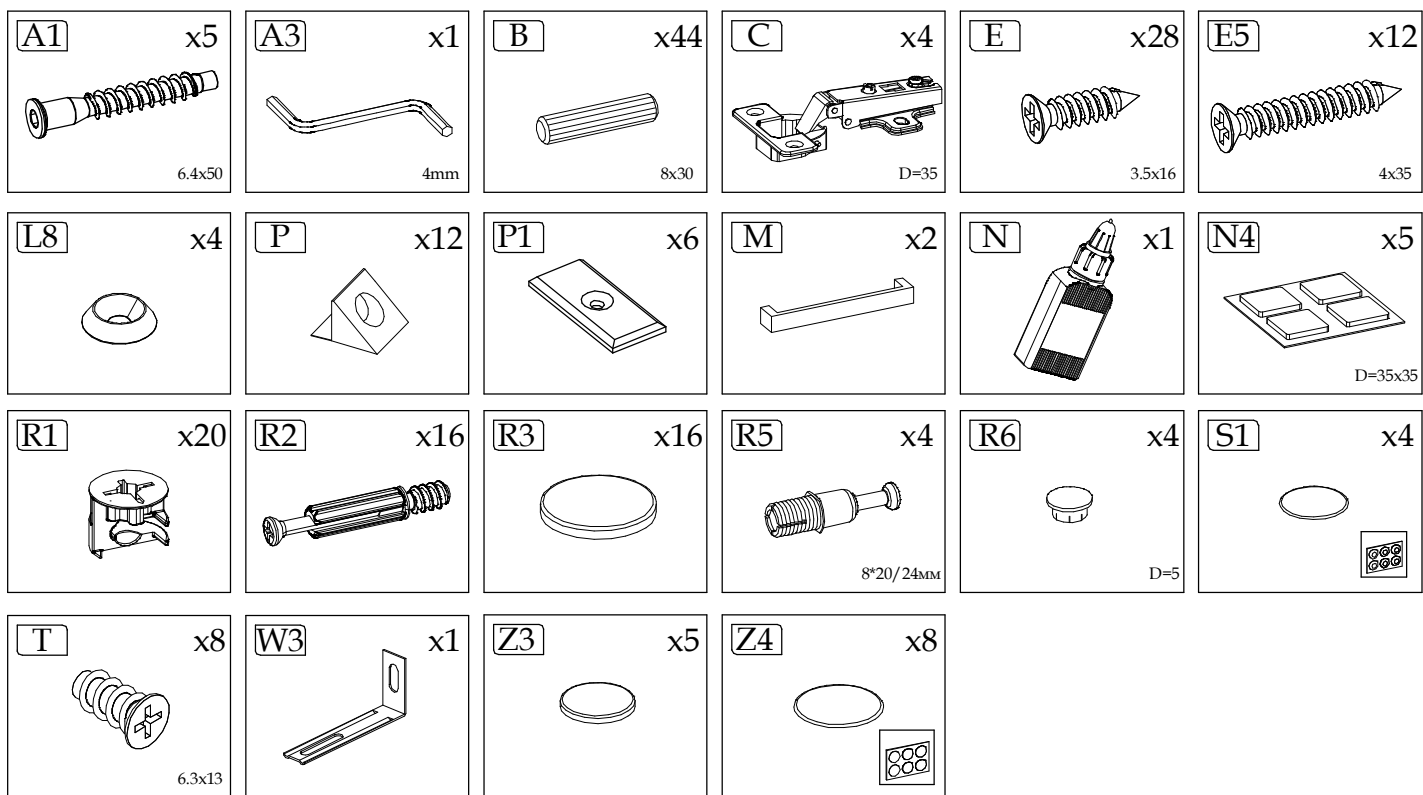
MARES B



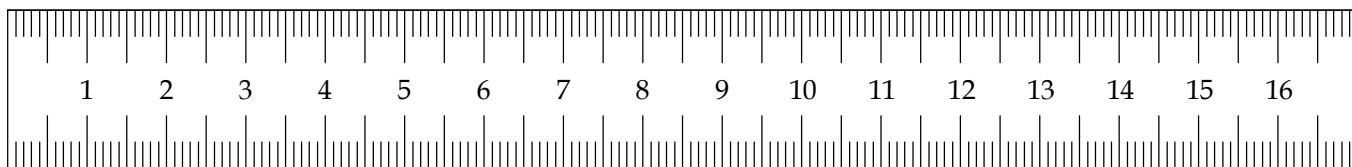
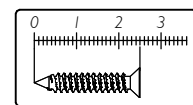
100 min

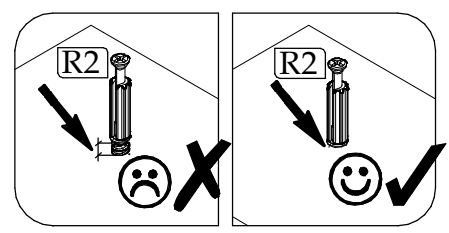
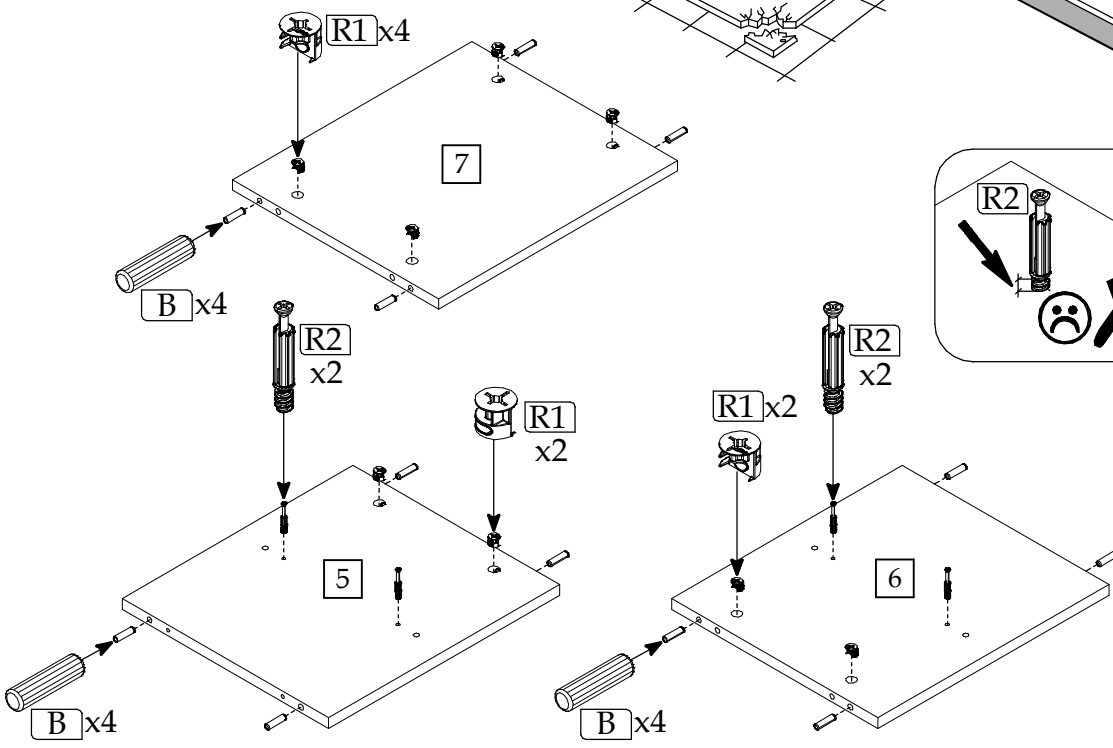
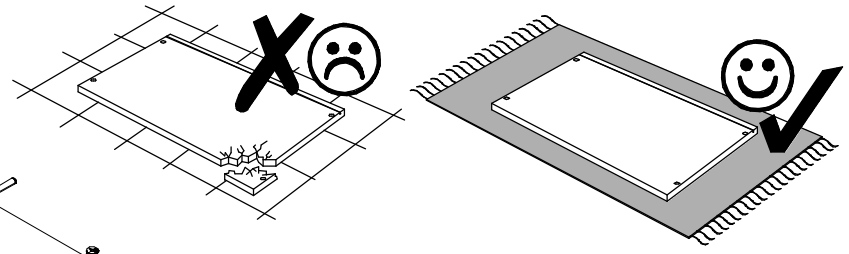
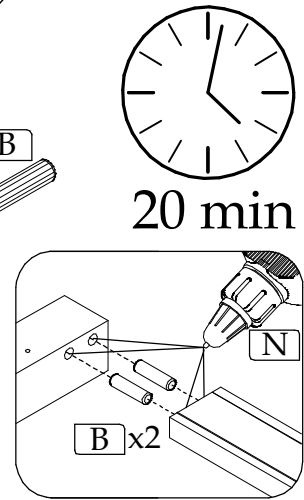
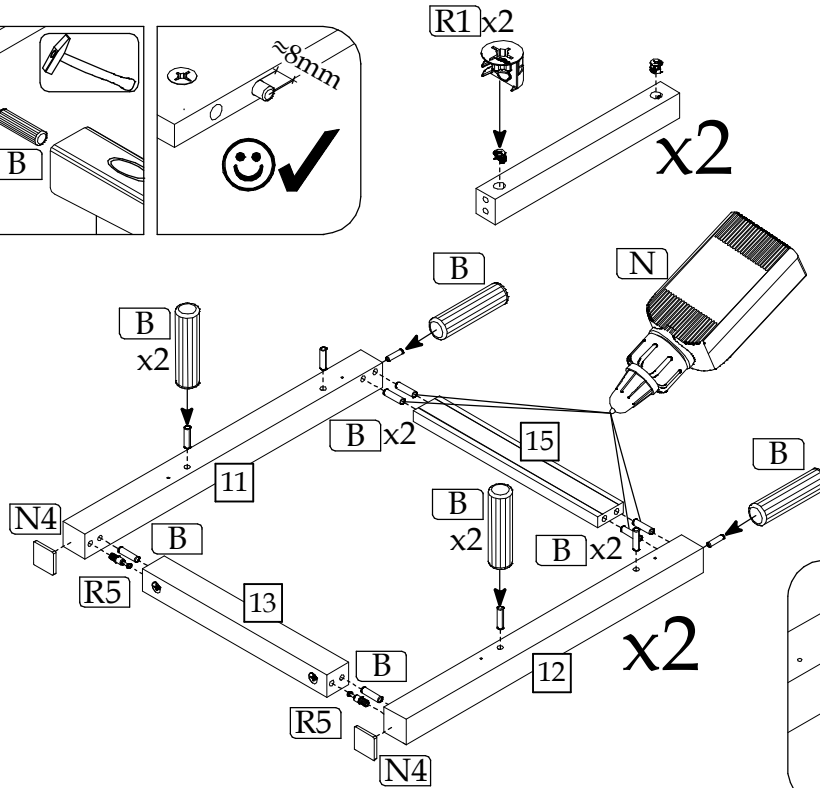
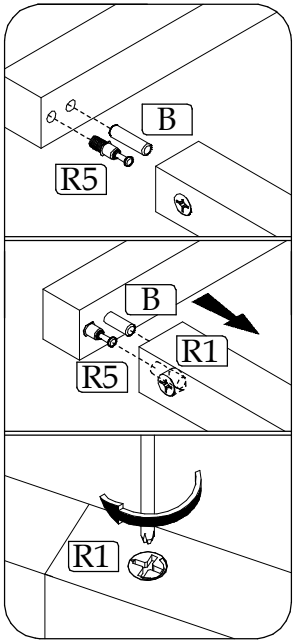
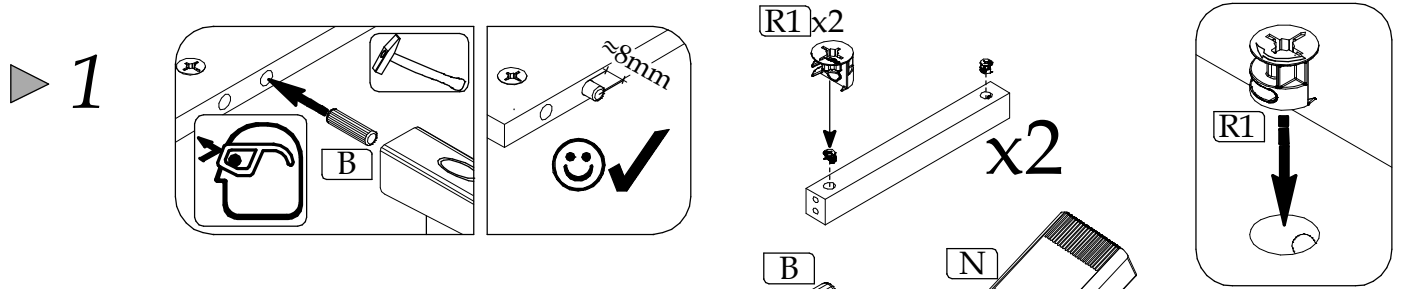
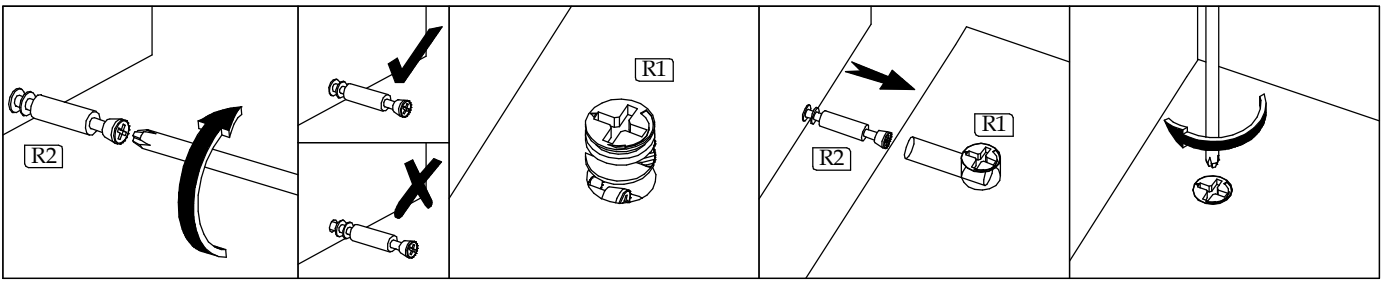




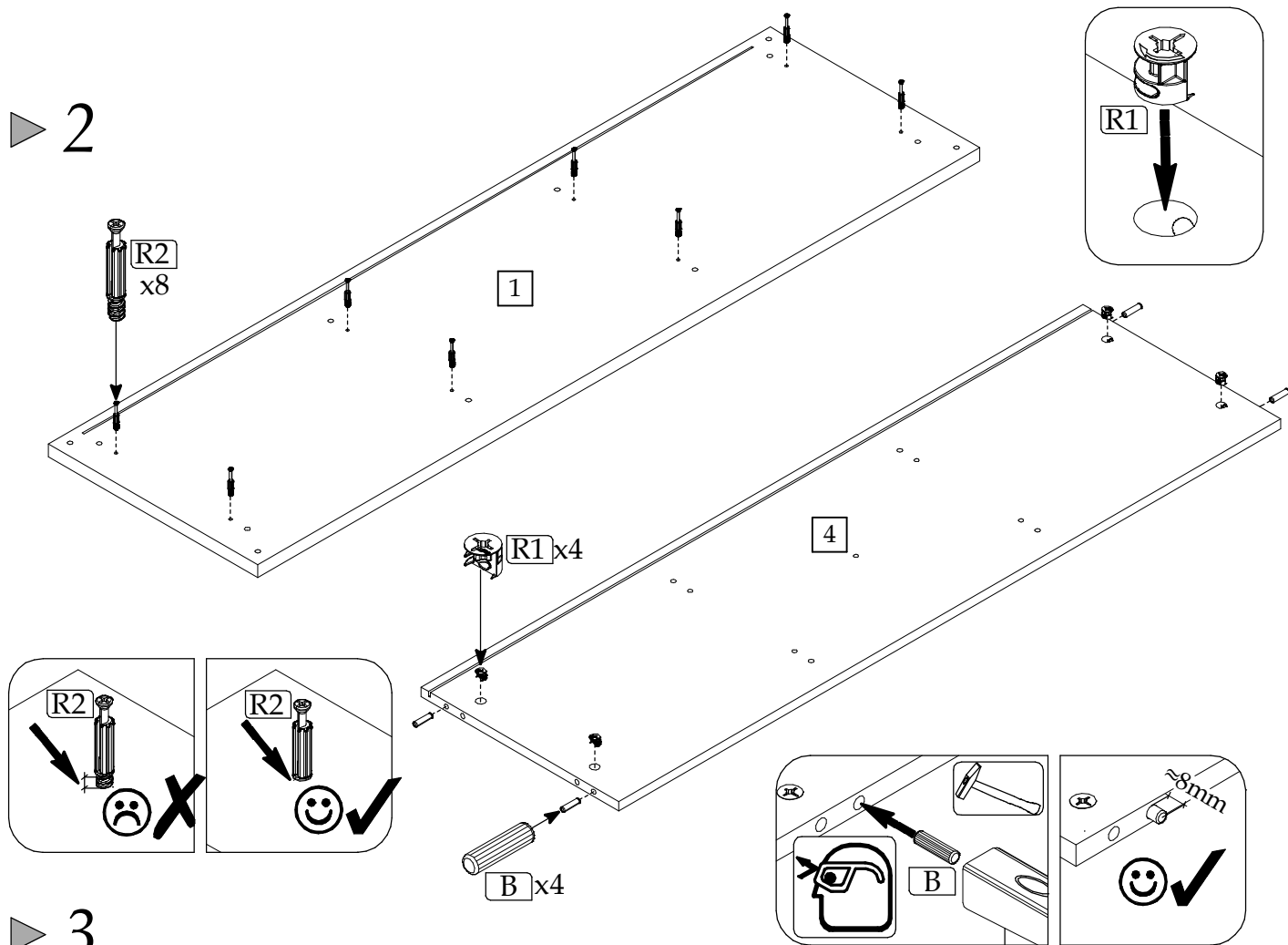


Element symbol	Measurements				Code	Pack
1	1380	400	22	1	1002	1/2
2	419	379	16	1	1008	1/2
3	419	379	16	1	1009	1/2
4	1266	378	16	1	1010	1/2
5	402	359	16	1	1014	1/2
6	402	359	16	1	1015	1/2
7	417	359	16	1	1016	1/2
8	413	434	16	2	1013-1018	1/2
9	416	423	3	2	N/A	1/2
10	416	433	3	1	1061_v	1/2
11	518	38	38	2	518x38_T1	2/2
12	518	38	38	2	518x38_T2	2/2
13	321	34	38	2	321x34x38	2/2
14	100	38	38	1	100x38x38	2/2
15	321	45	16	2	321x45x16	1/2

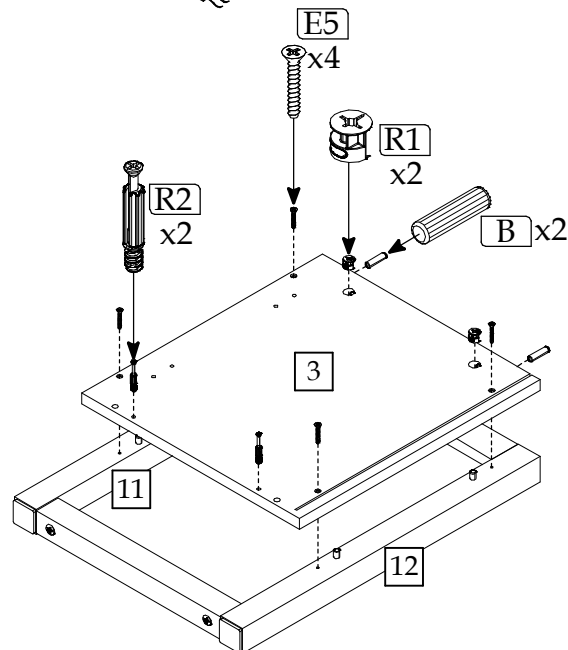
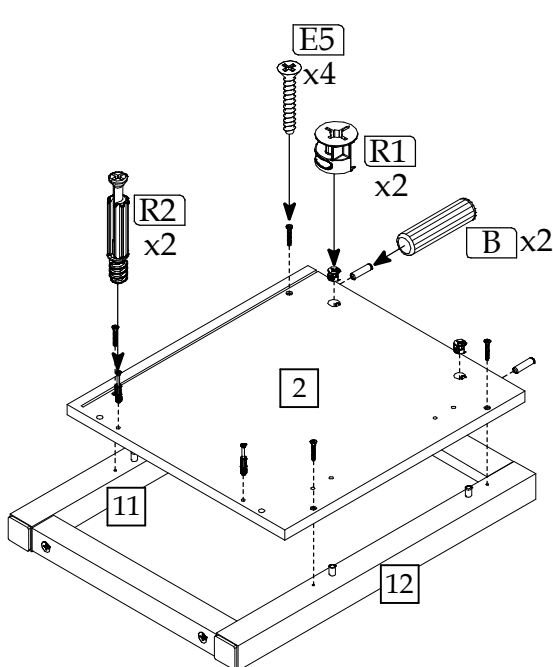
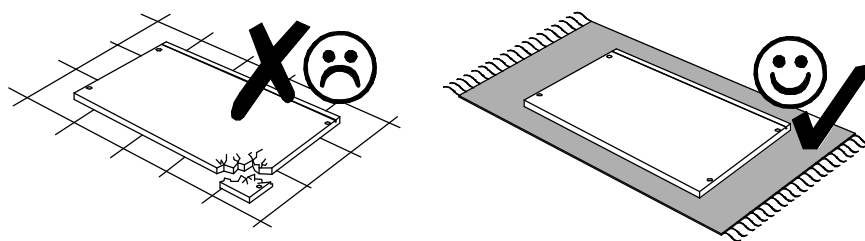




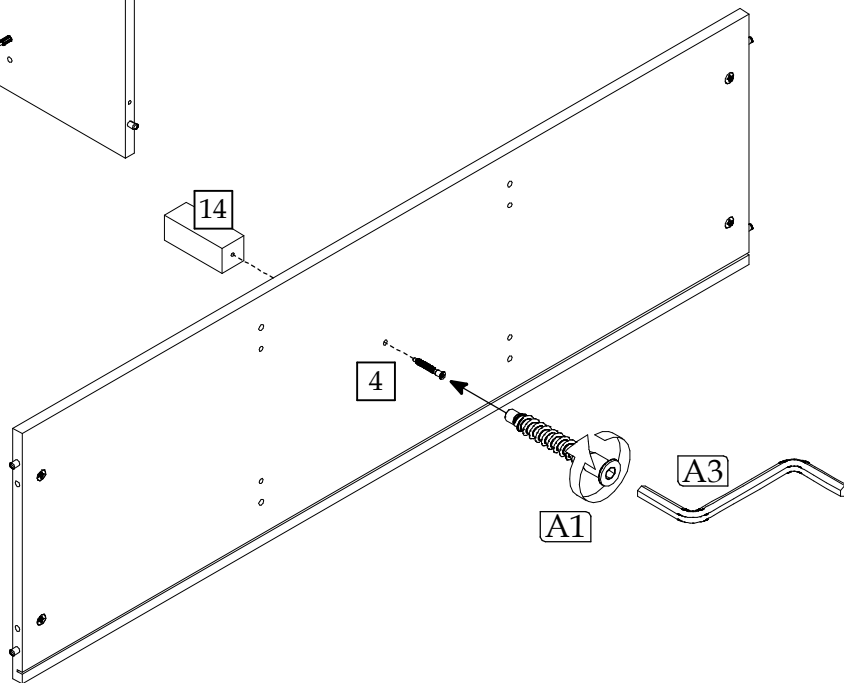
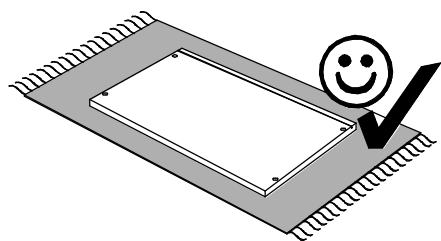
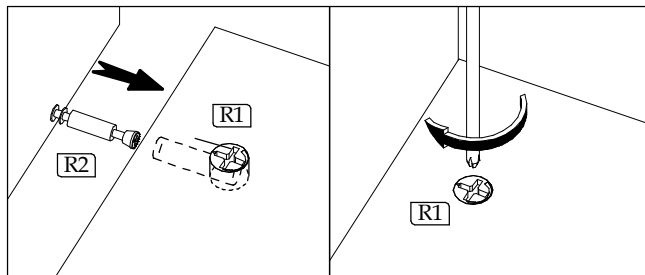
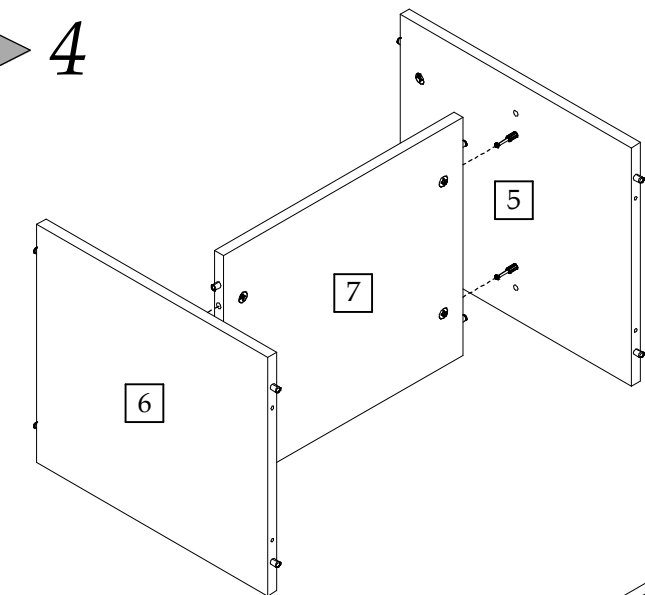
▶ 2



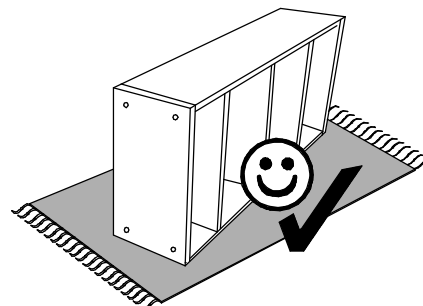
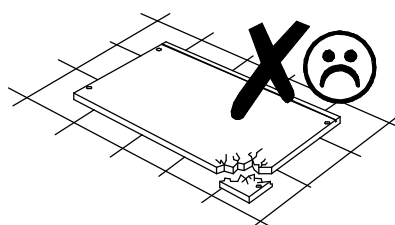
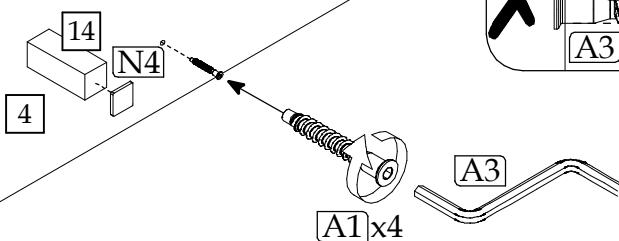
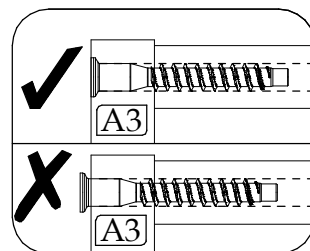
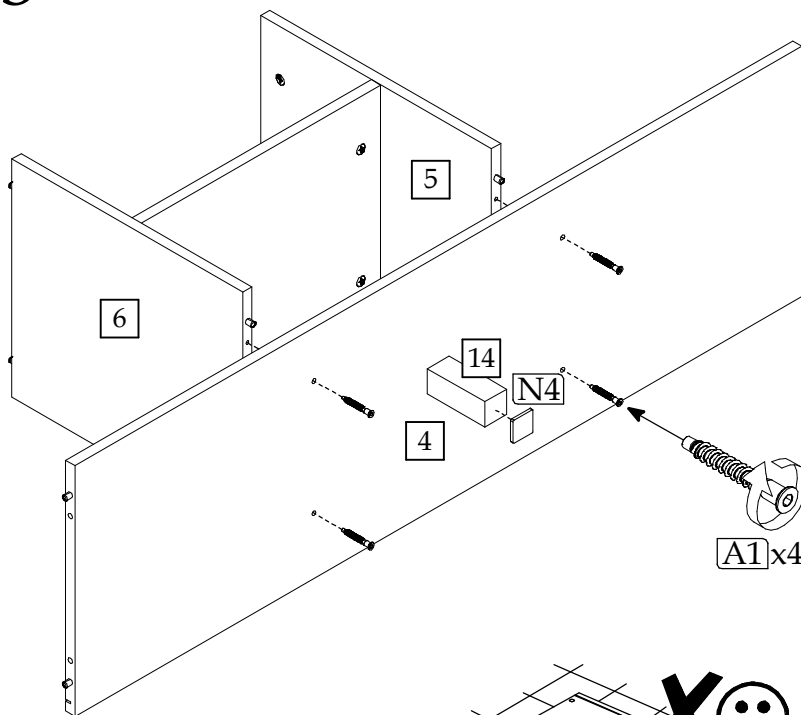
▶ 3



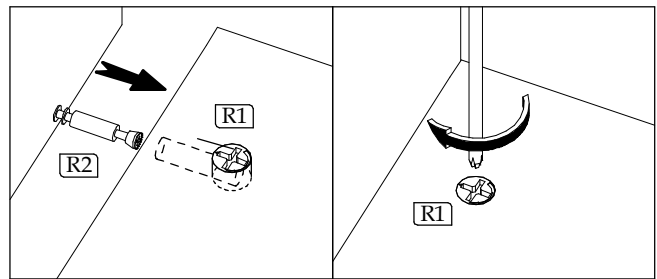
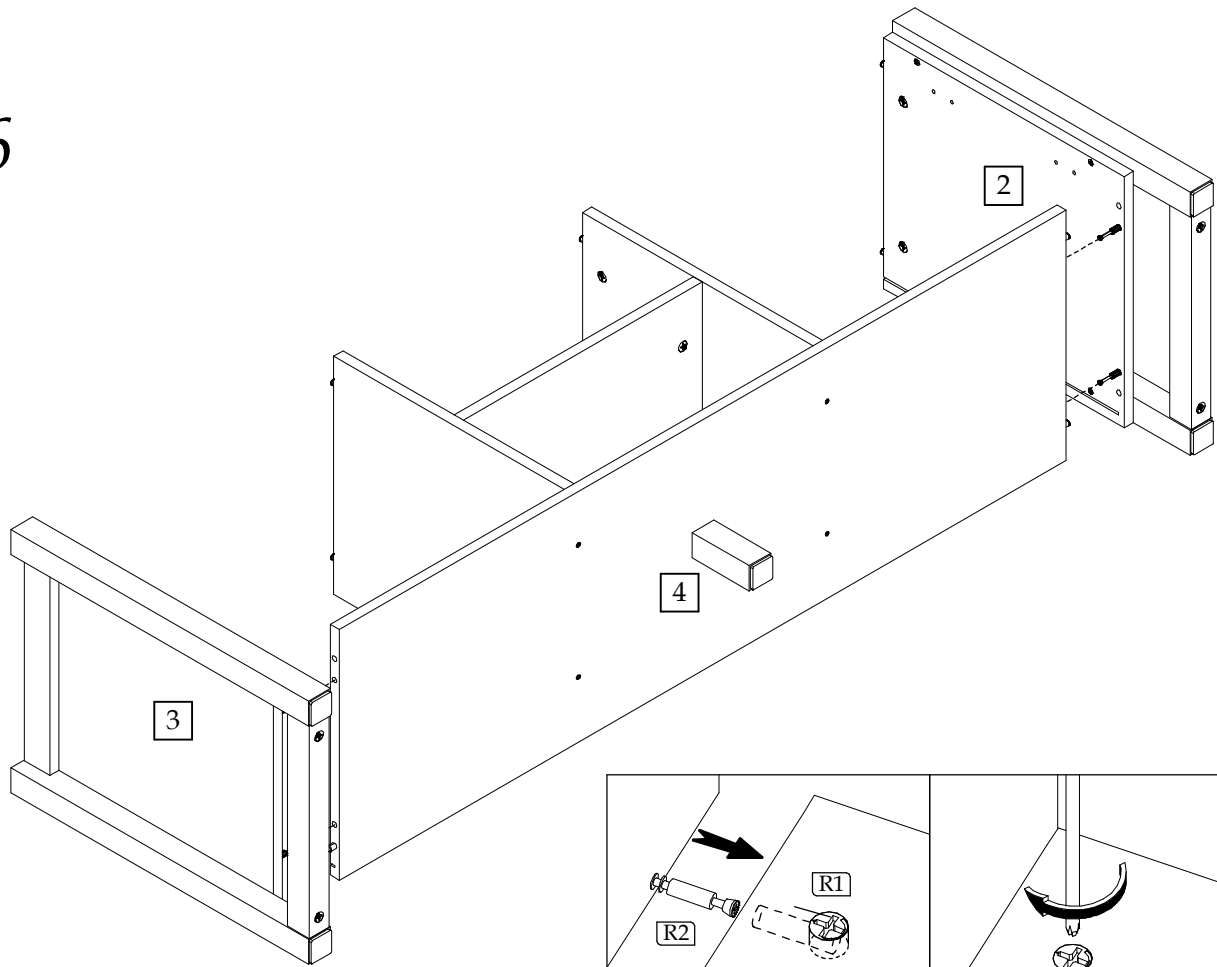
▶ 4



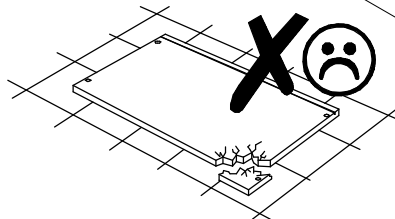
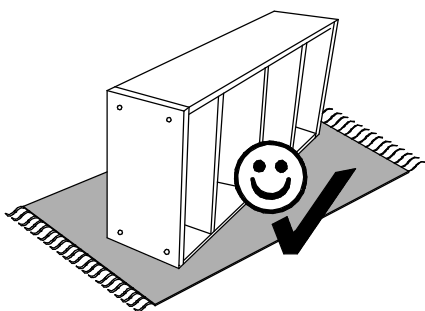
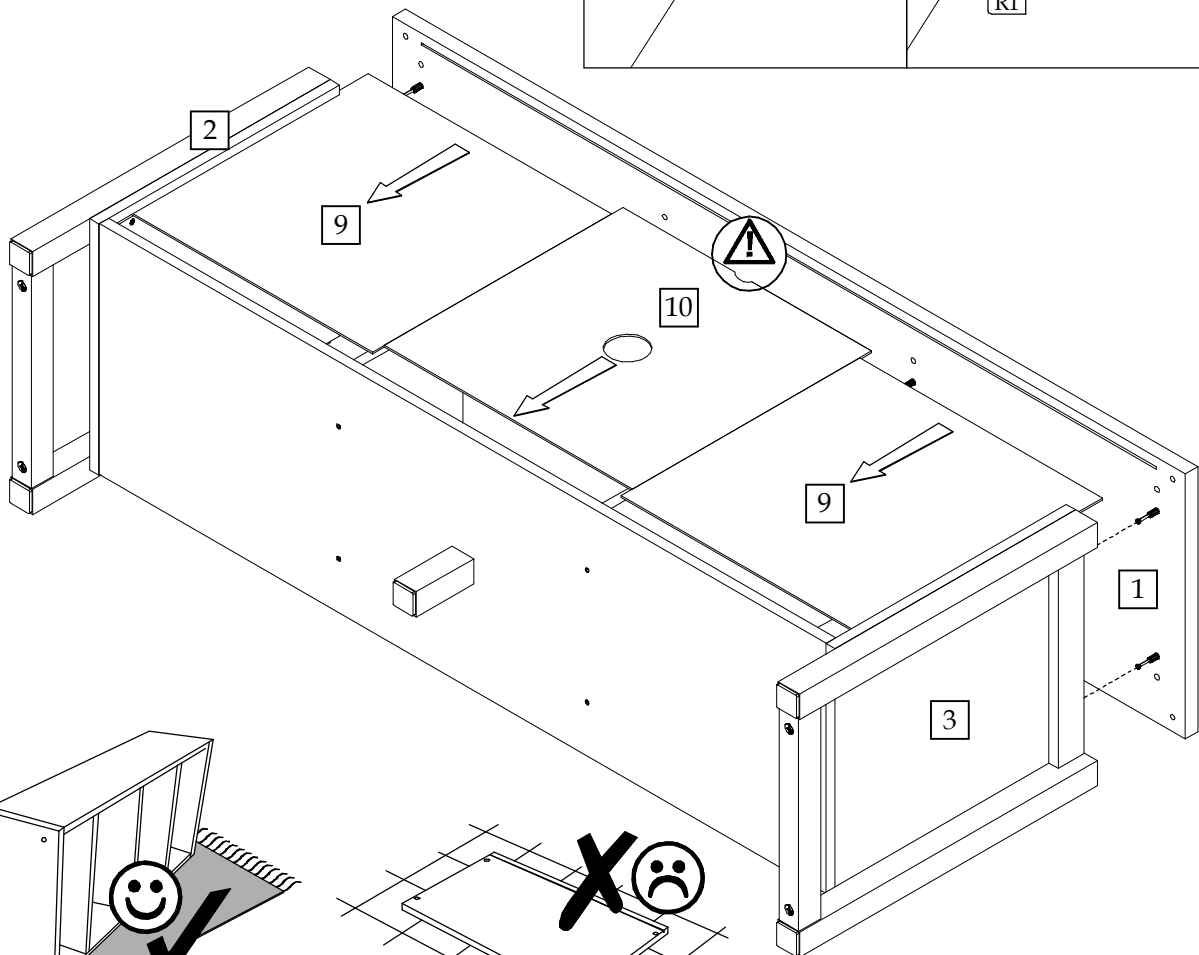
▶ 5



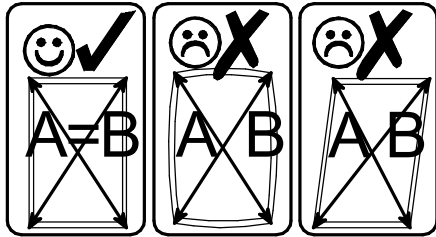
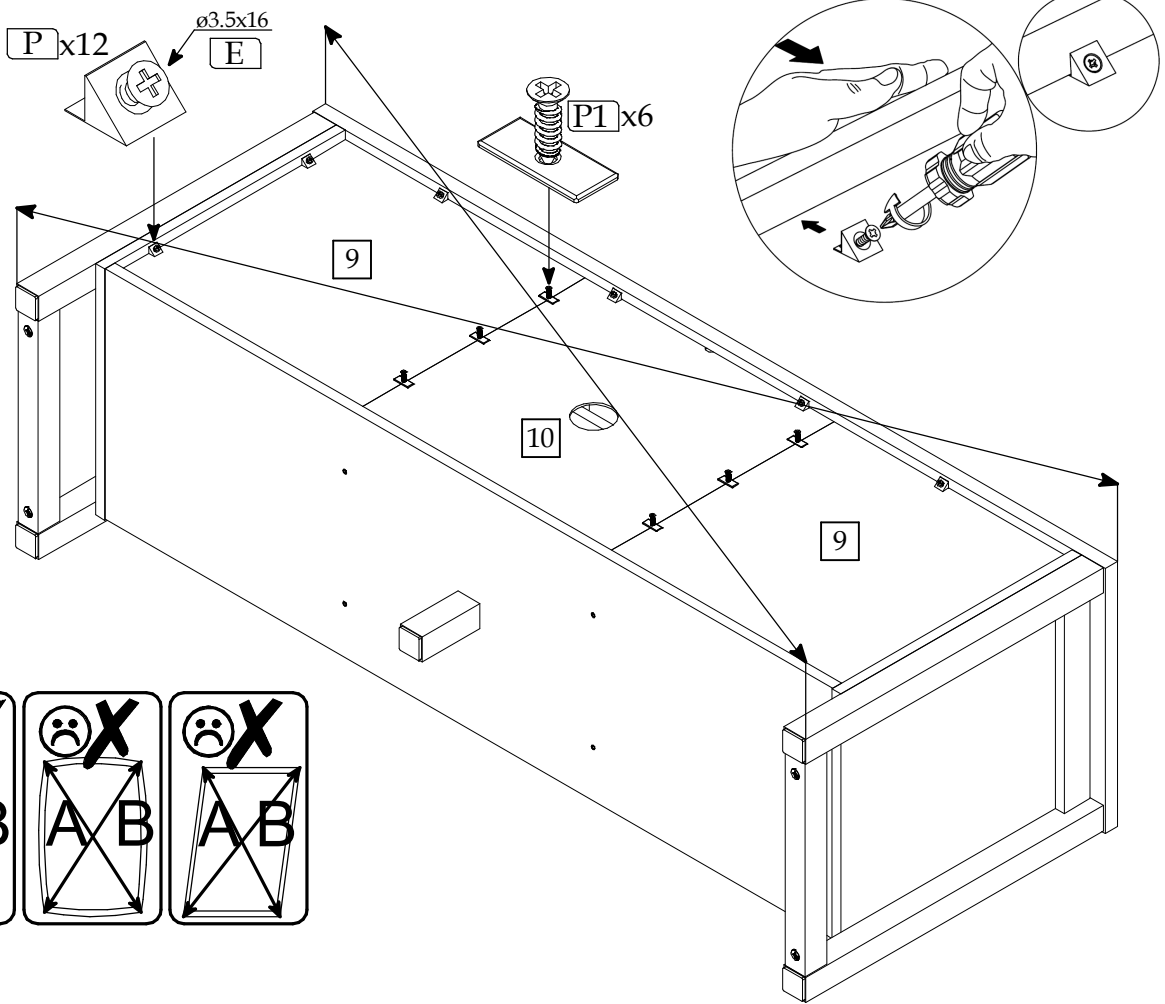
▶ 6



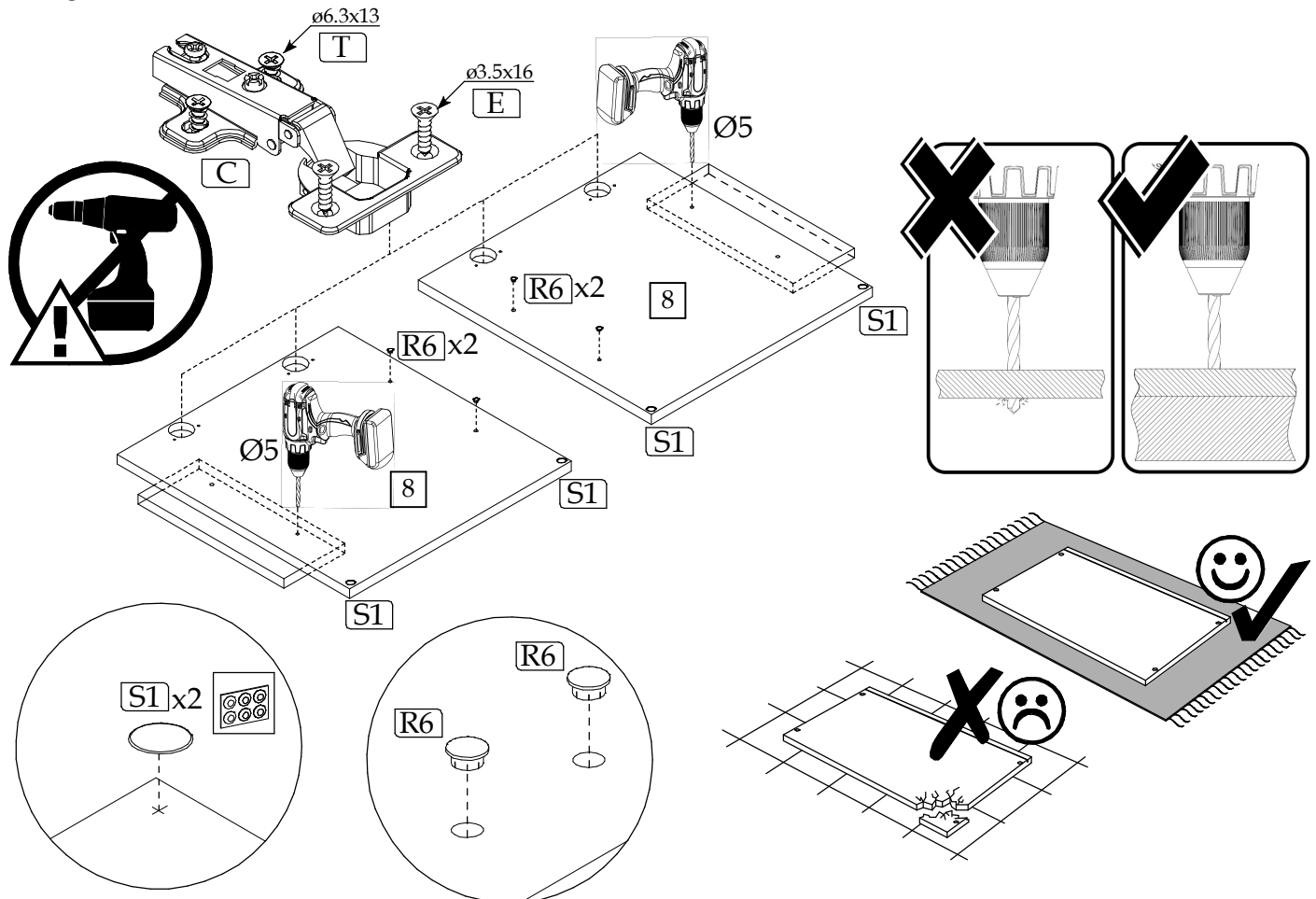
▶ 7



▶ 8



▶ 9



▶ 10

