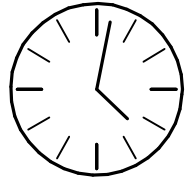
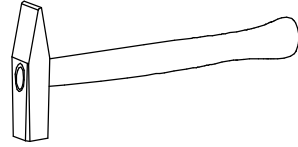
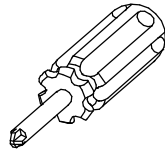
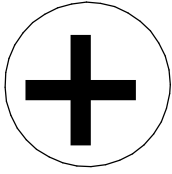
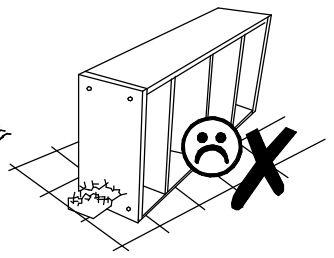
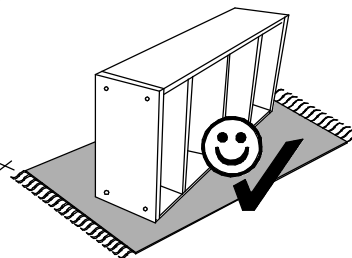
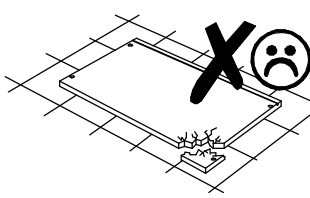
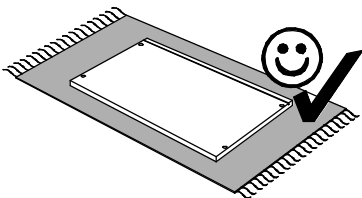
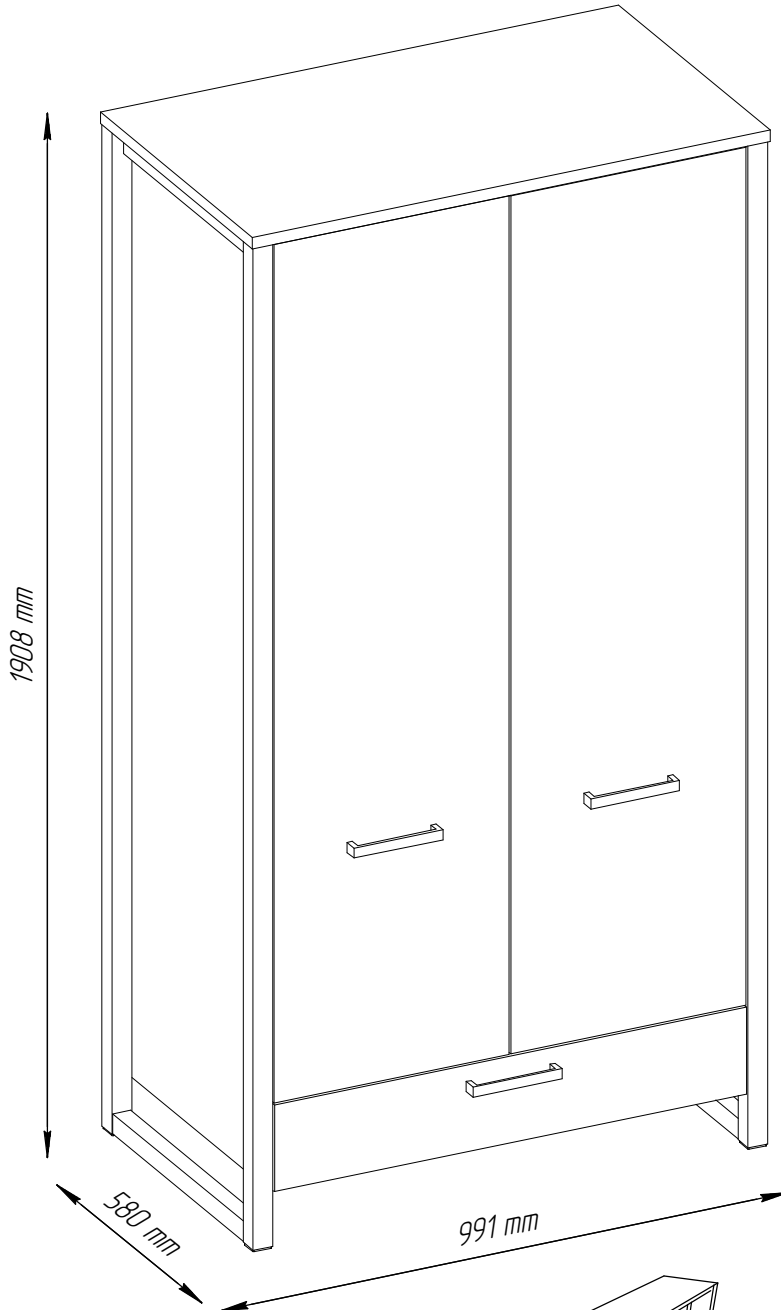
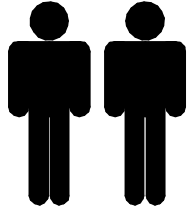
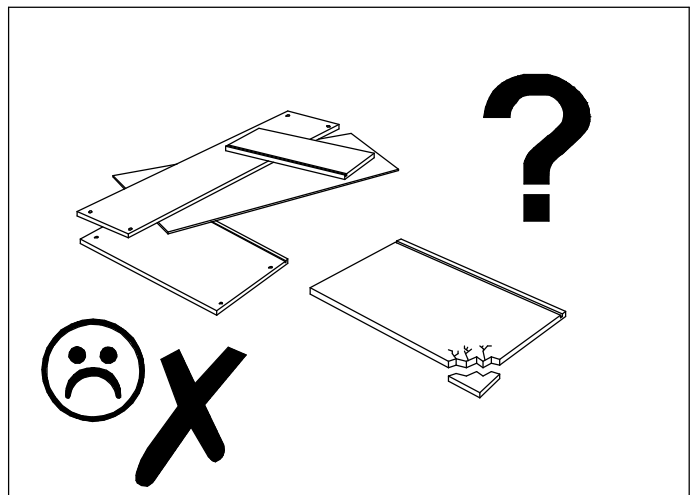
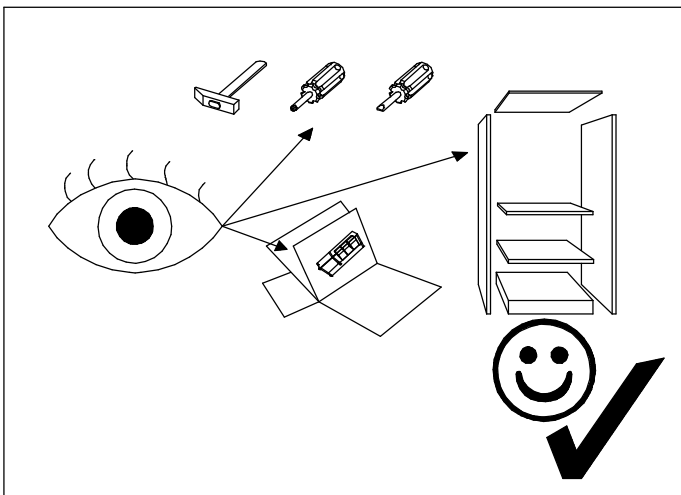
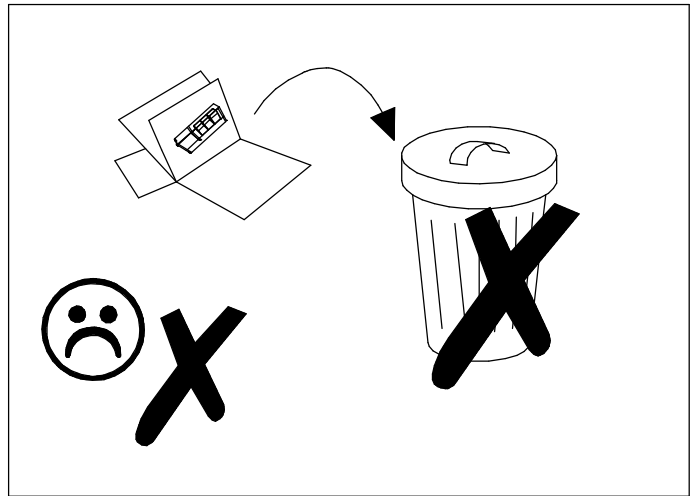
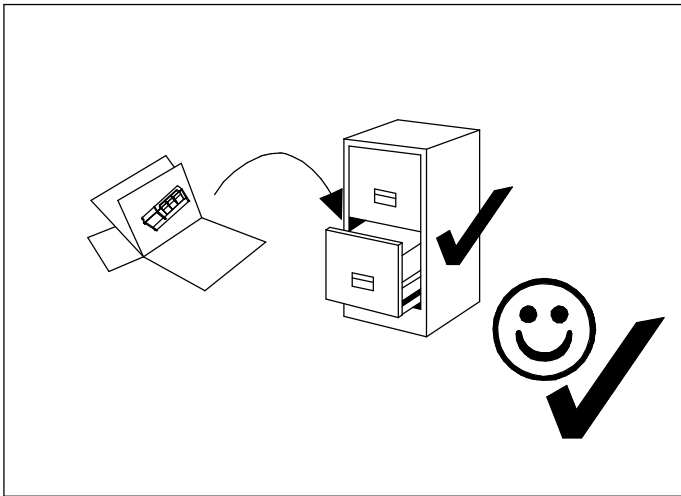
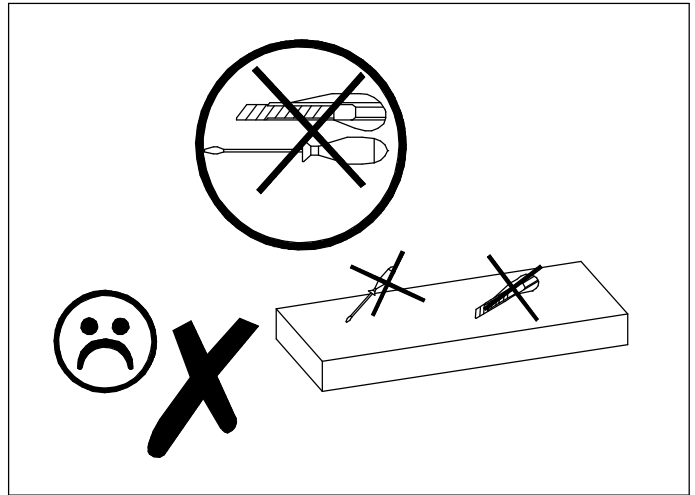
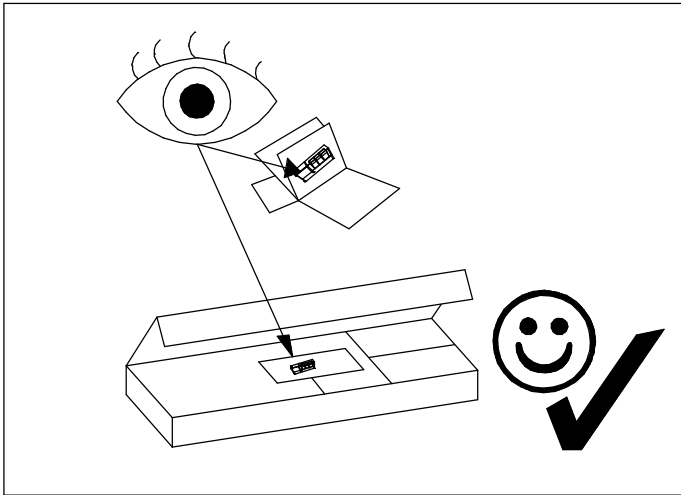


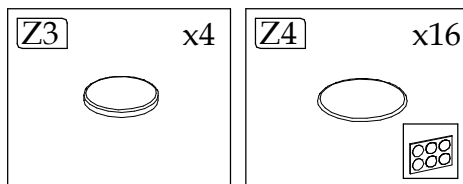
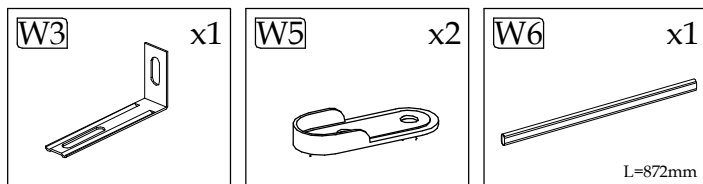
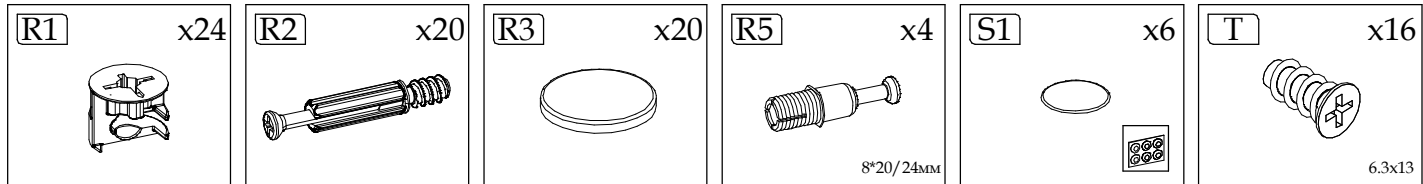
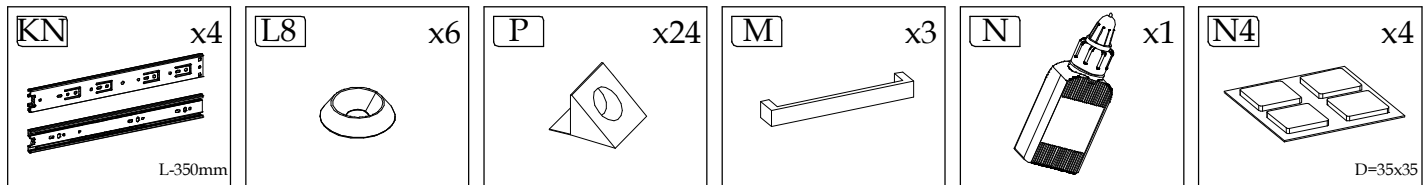
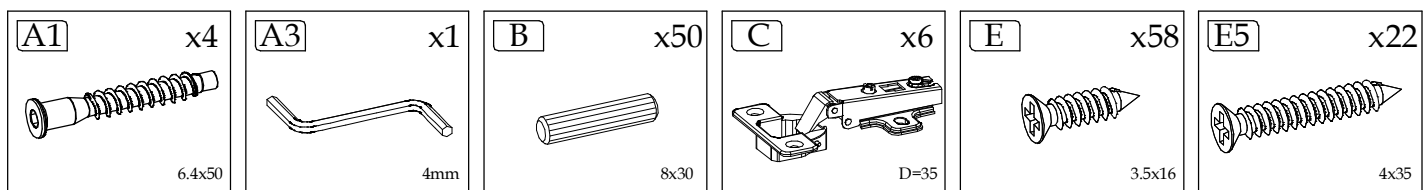
MARES F



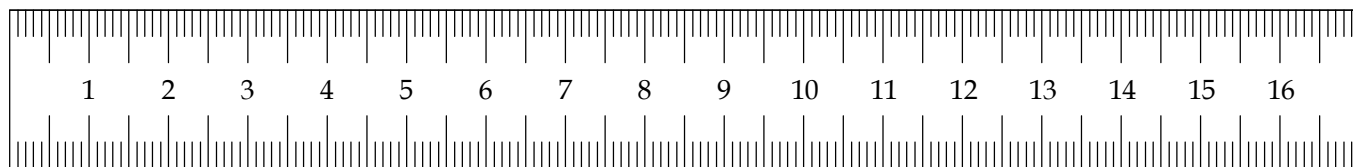
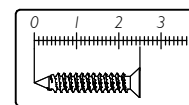
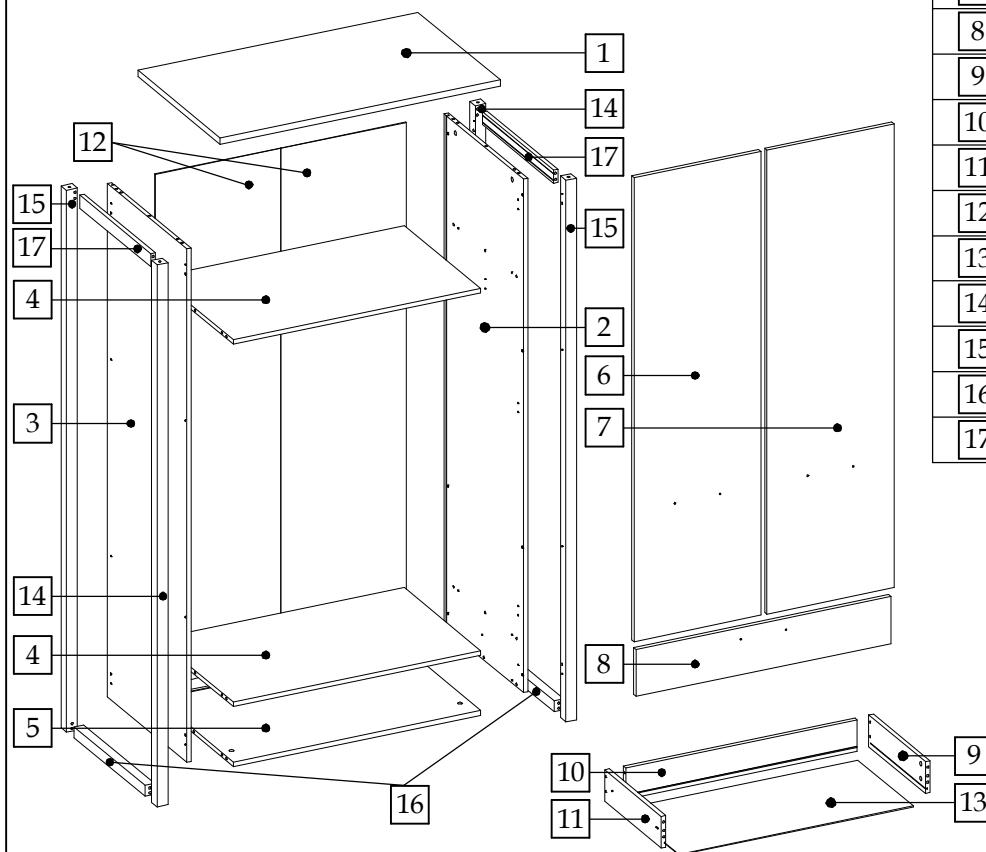
100 min

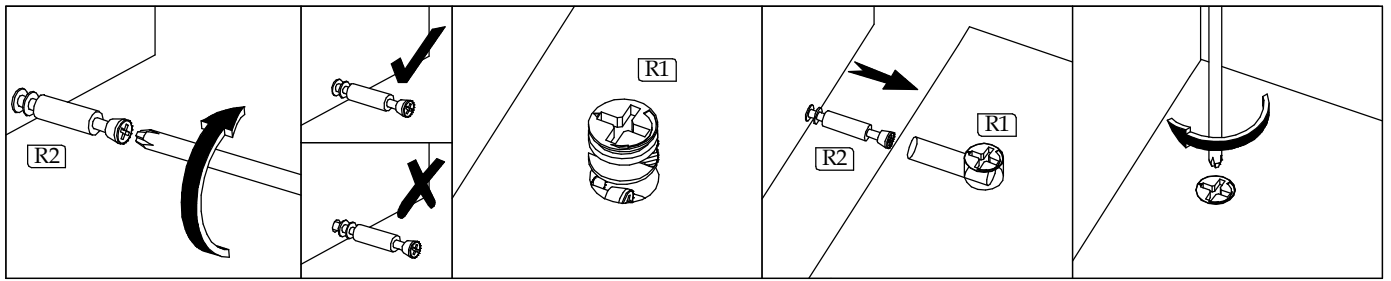




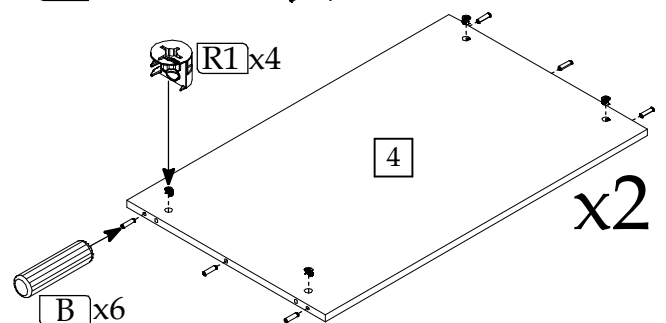
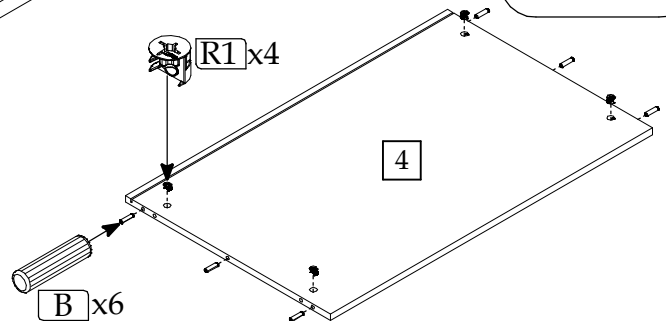
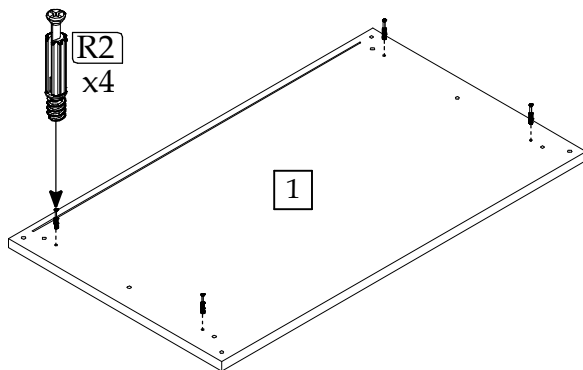
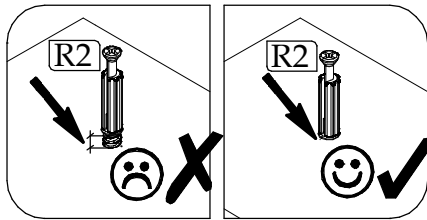
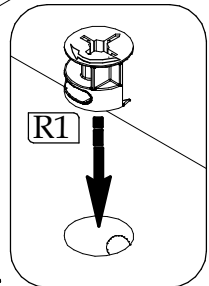
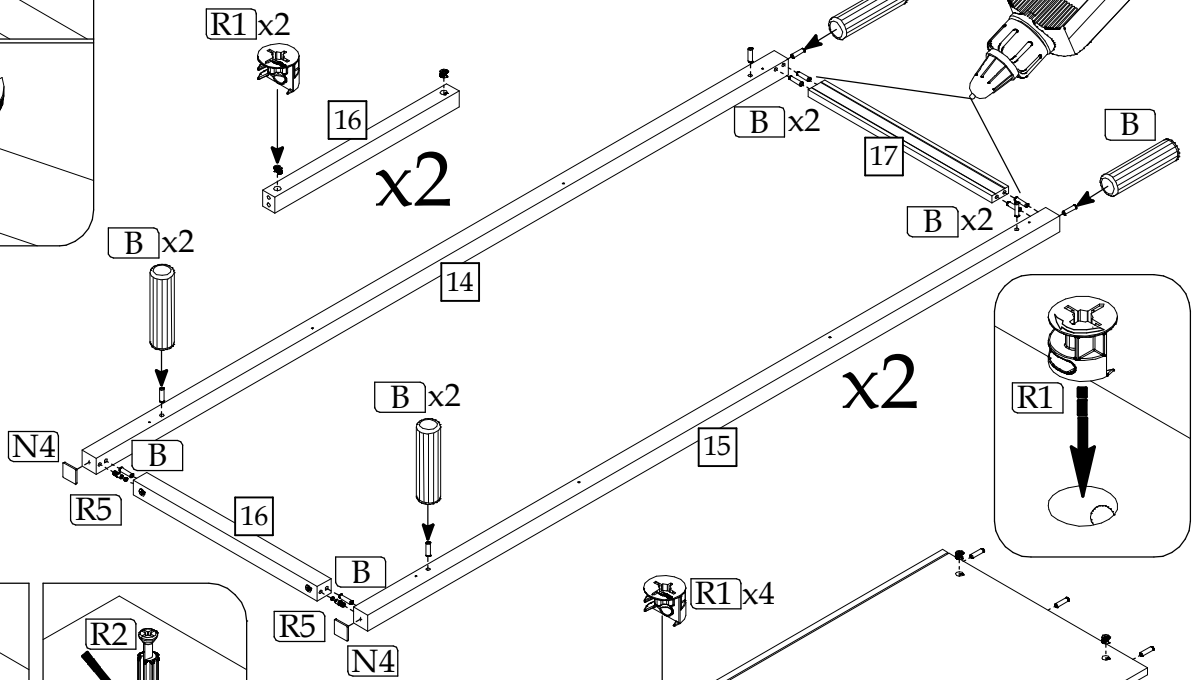
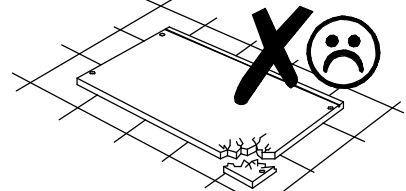
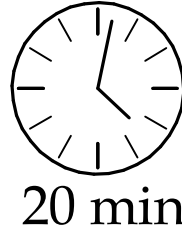
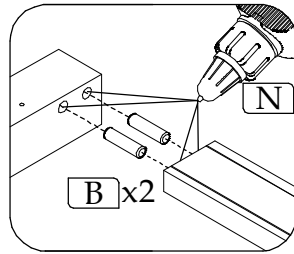
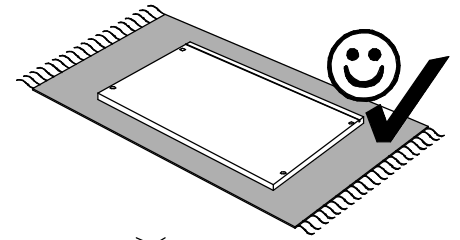
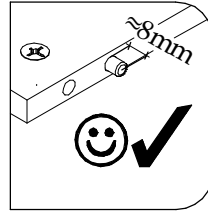
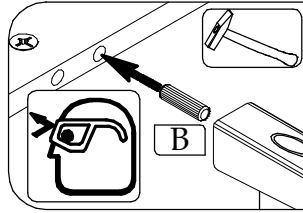
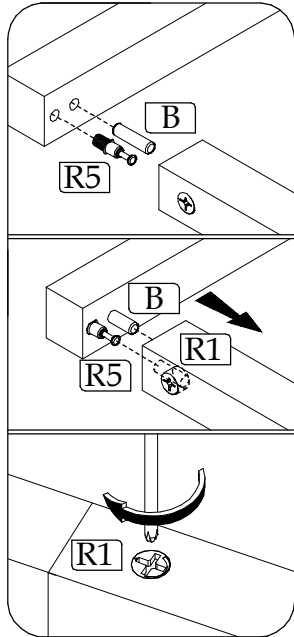


Element symbol	Measurements				Code	Pack
	1	2	3	4		
1	991	580	22	1	1001	2/3
2	1784	559	16	1	1040	1/3
3	1784	559	16	1	1041	1/3
4	877	540	16	2	1039-1046	2/3
5	877	558	16	1	1042	1/3
6	1612	450	16	1	1054	1/3
7	1612	450	16	1	1053	1/3
8	903	163	16	1	1048	1/3
9	400	110	16	1	1049	1/3
10	819	109	16	1	1050	1/3
11	400	110	16	1	1051	1/3
12	1781	445	3	2	N/A	1/3
13	829	394	3	1	N/A	2/3
14	1883	38	38	2	1883x38_T1	3/3
15	1883	38	38	2	1883x38_T2	3/3
16	501	34	38	2	501x34x38	2/3
17	501	45	16	2	501x45x16	1/3

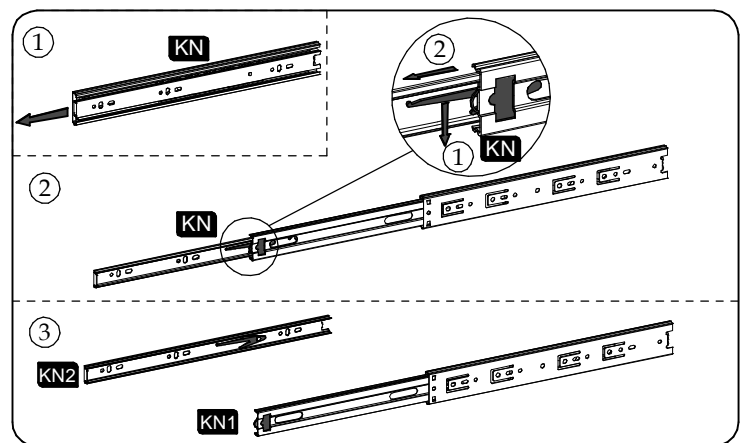
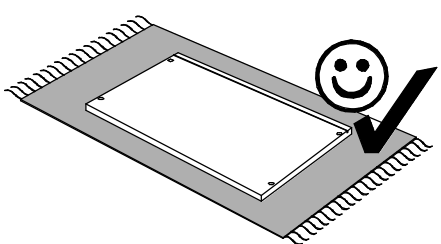
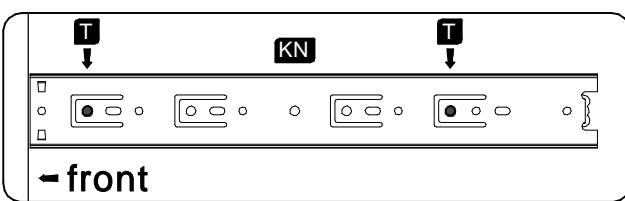
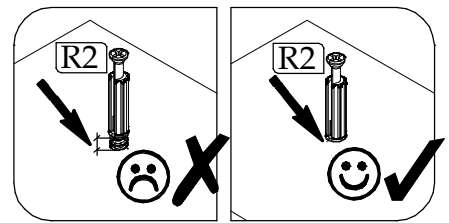
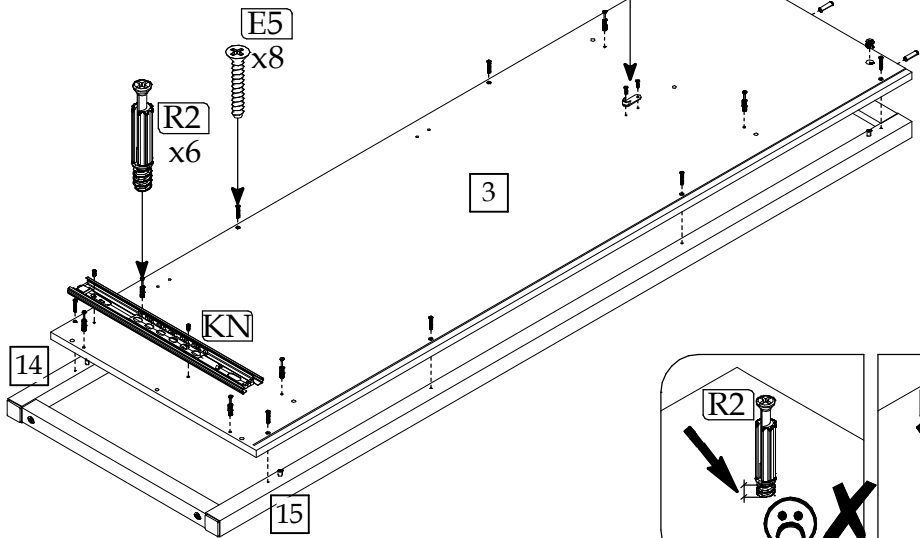
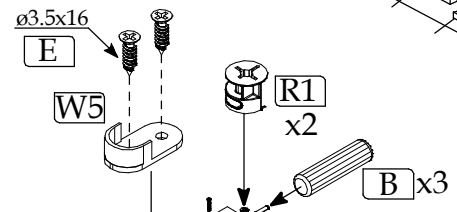
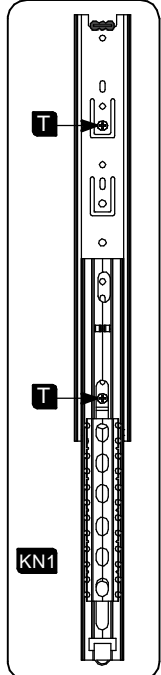
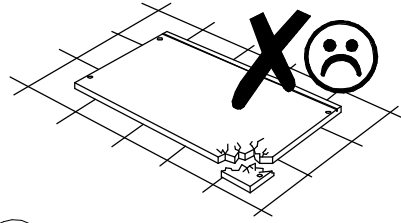
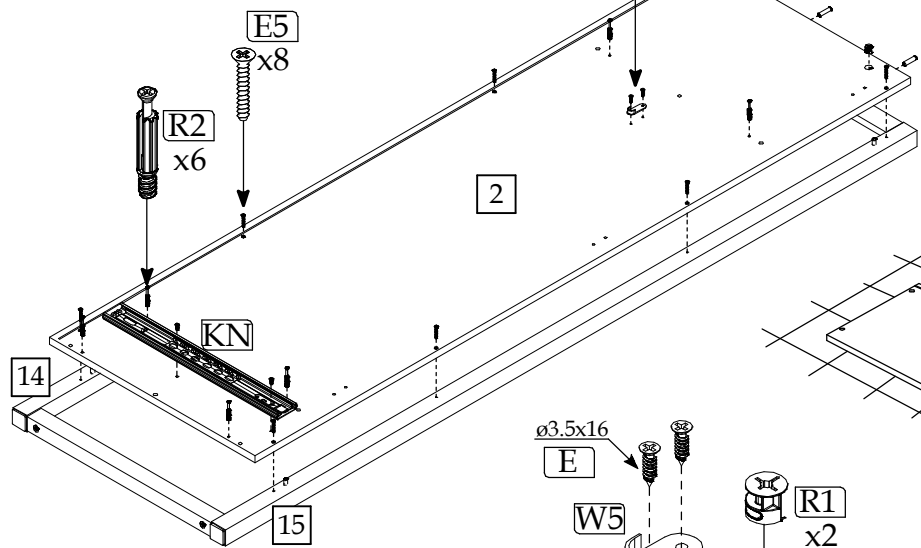
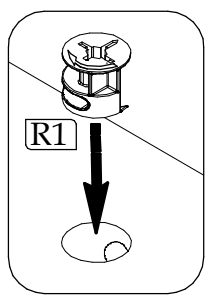
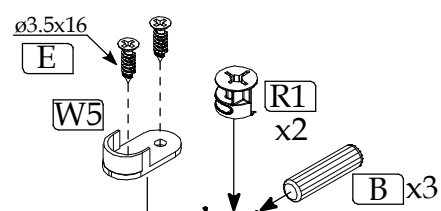
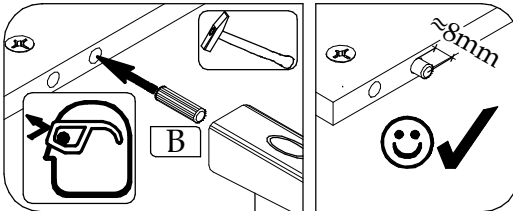




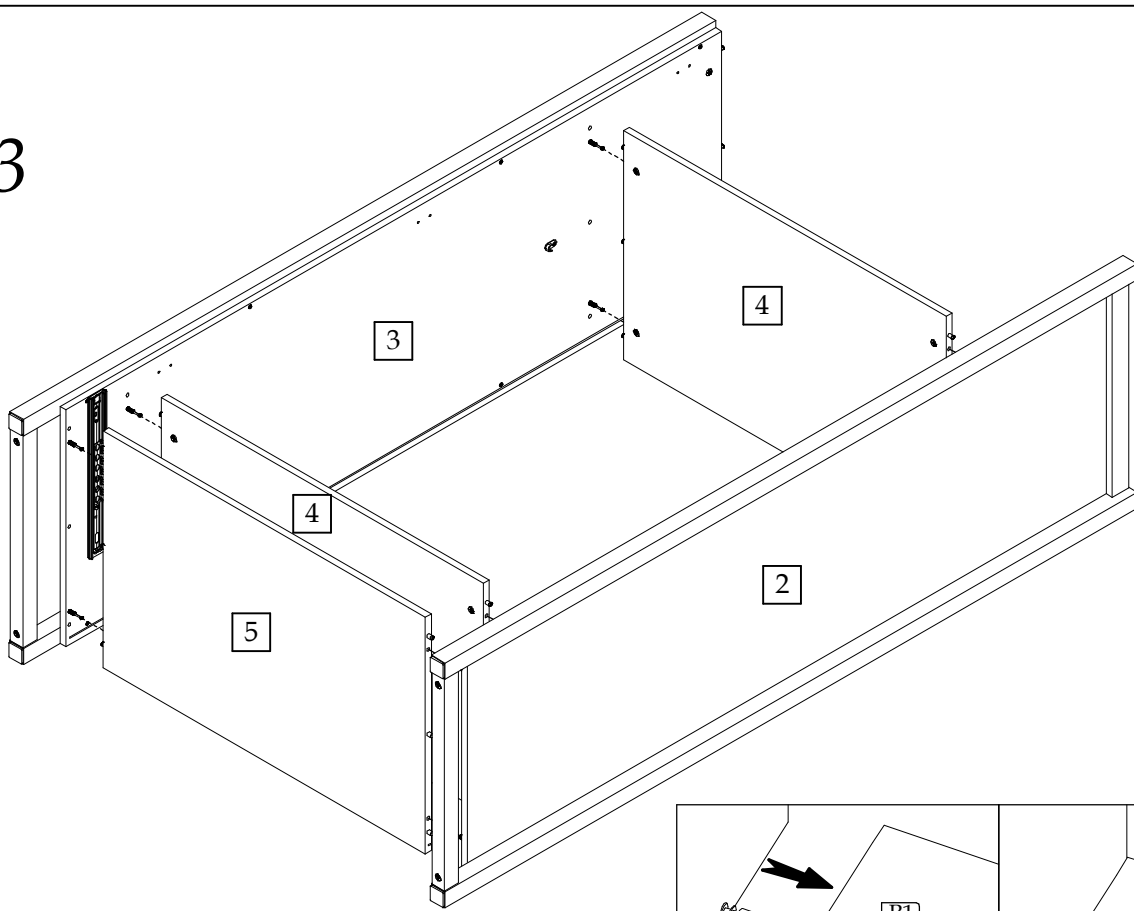
▶ 1



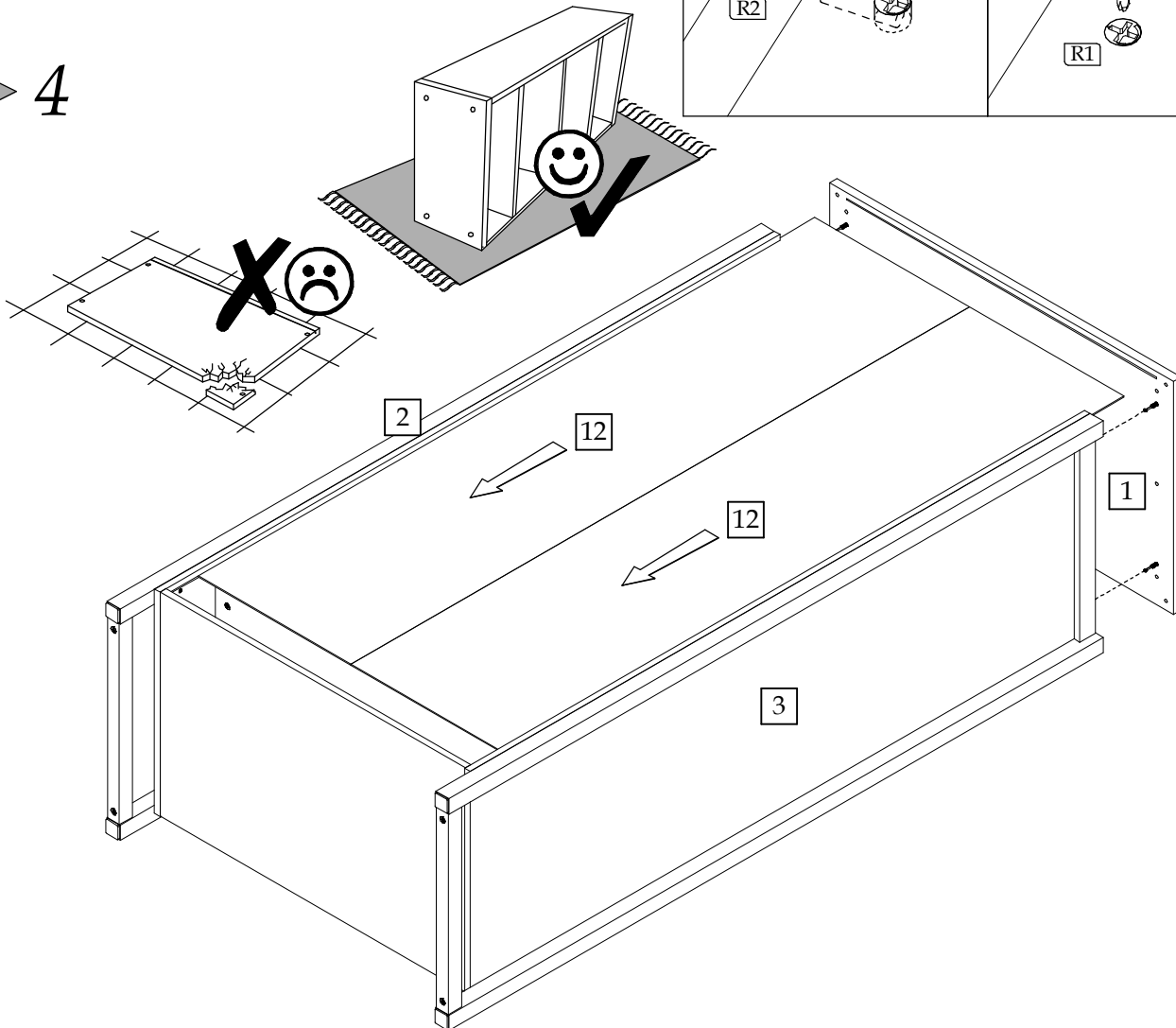
▶ 2



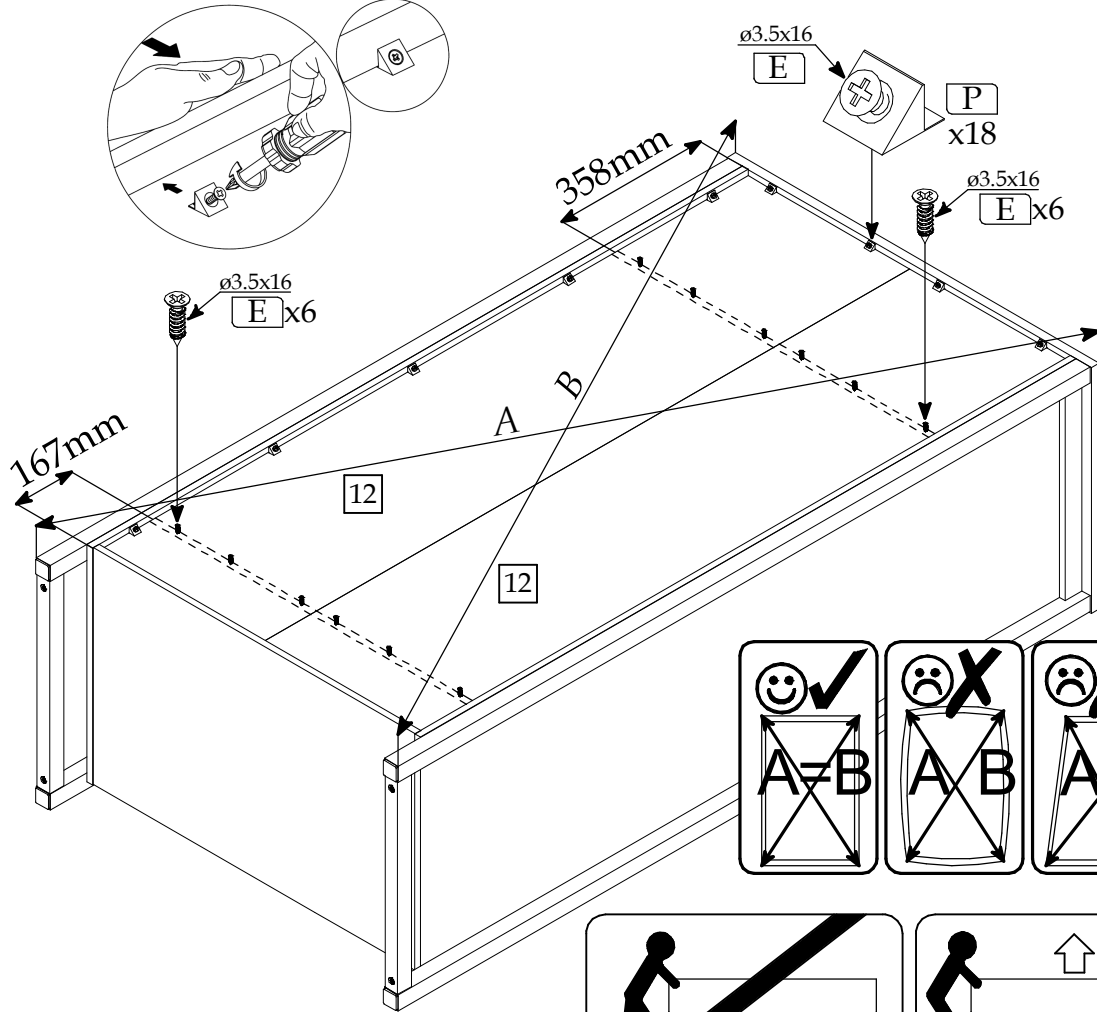
▶ 3



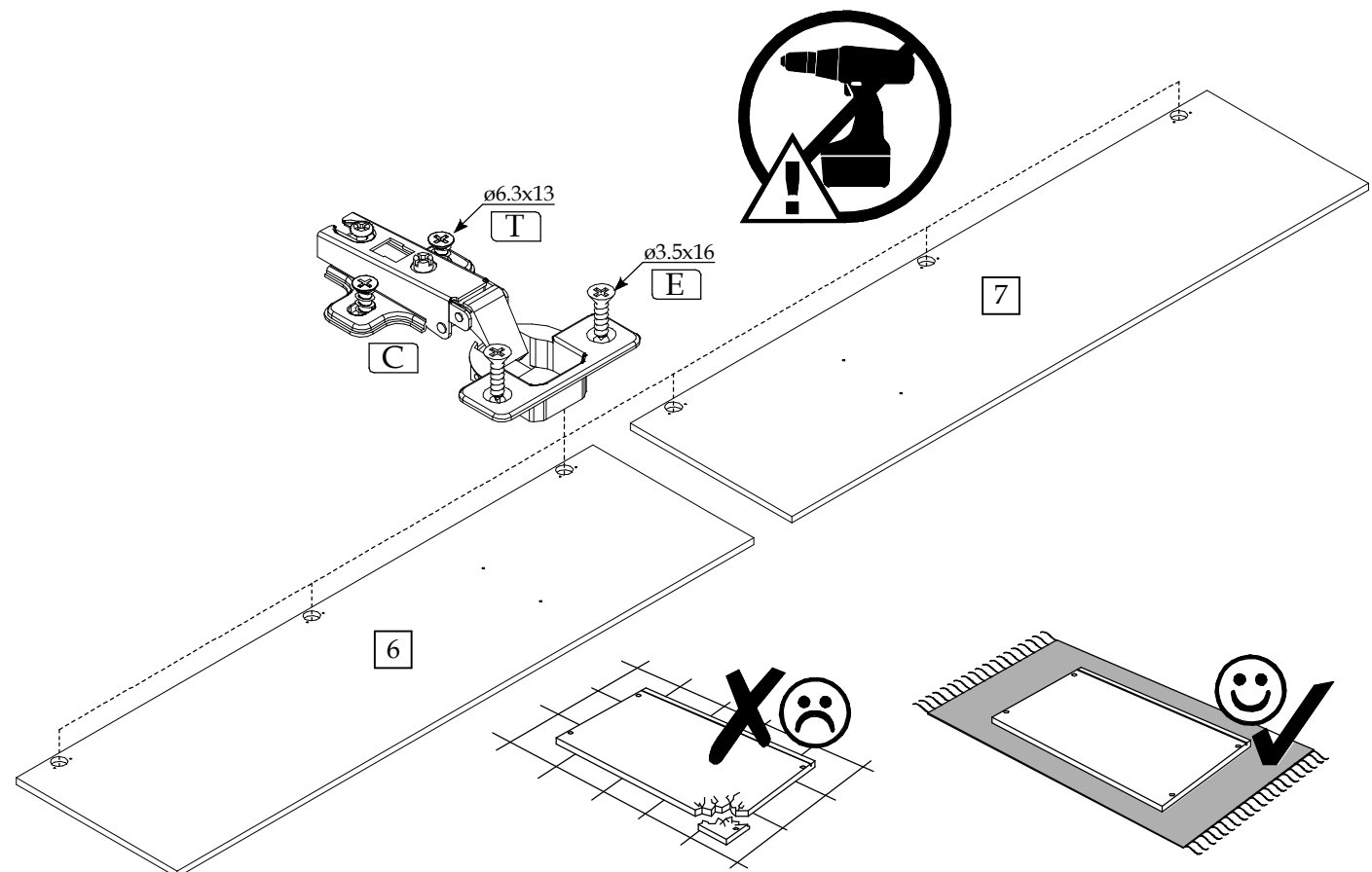
▶ 4



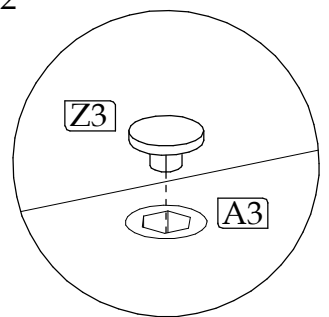
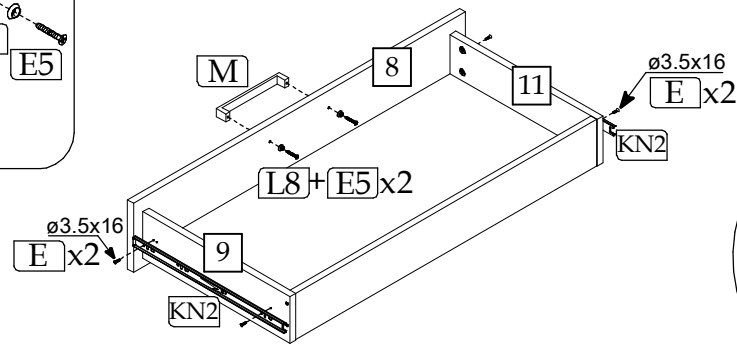
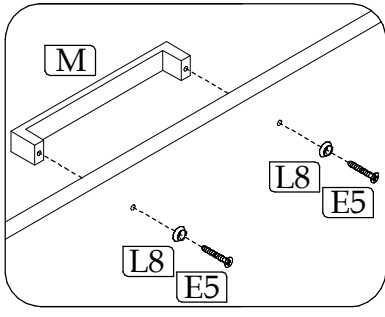
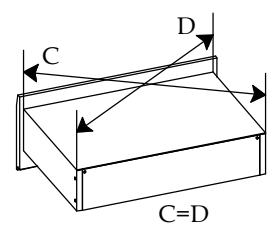
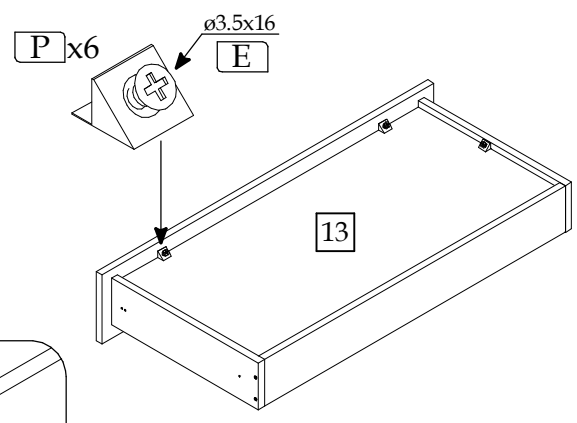
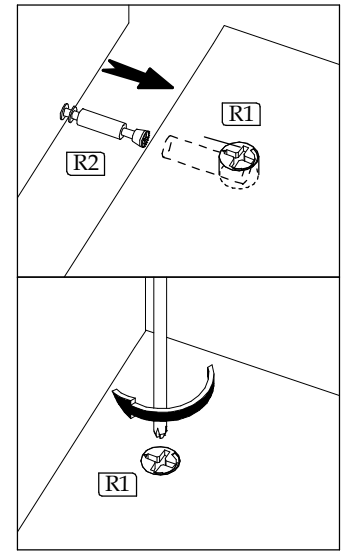
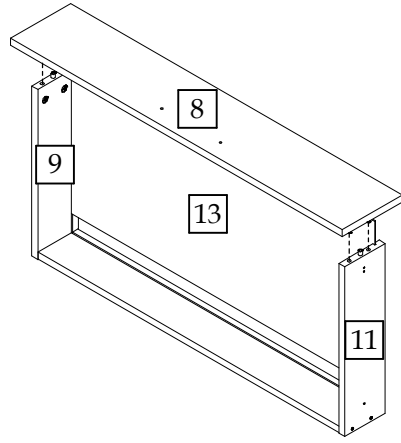
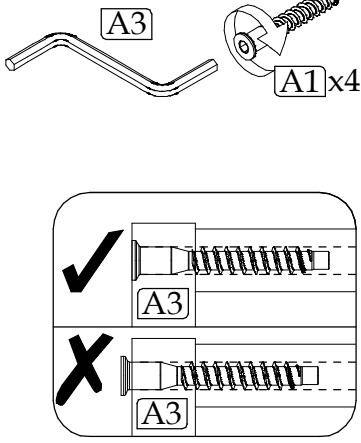
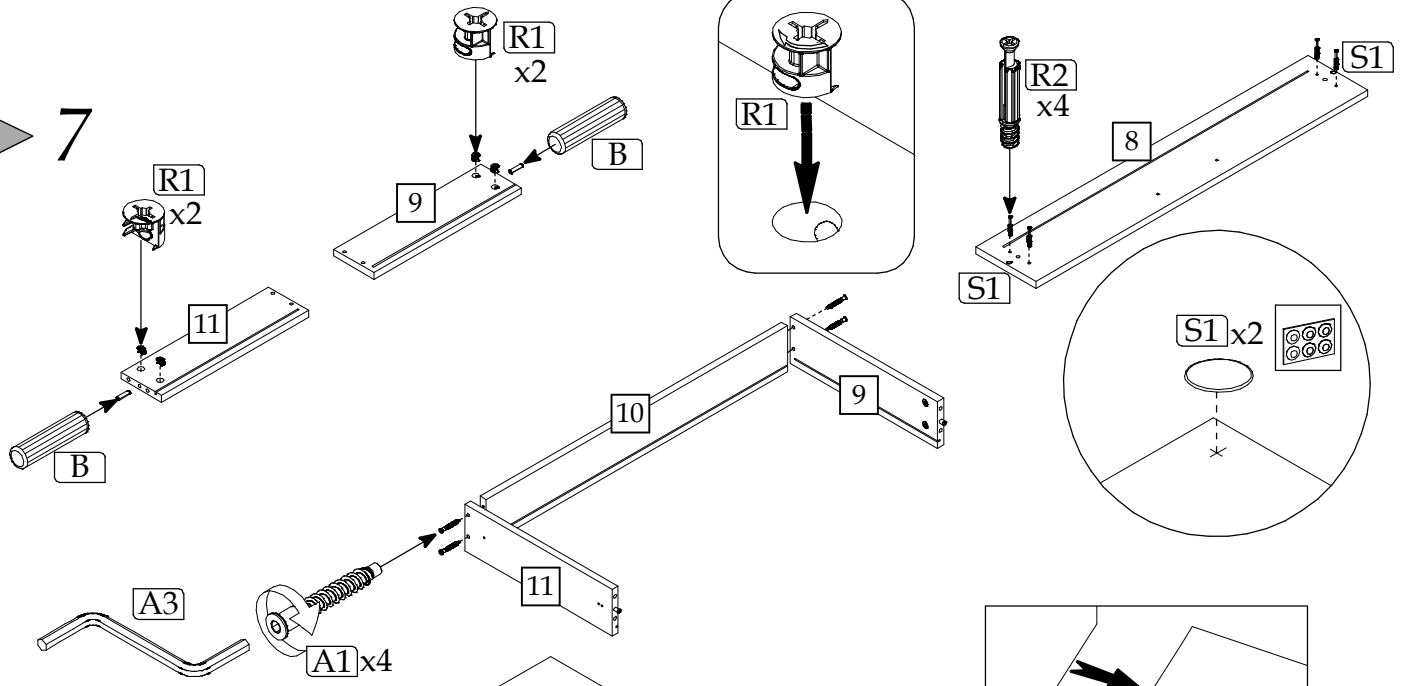
► 5



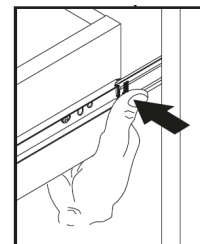
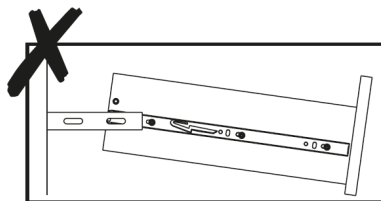
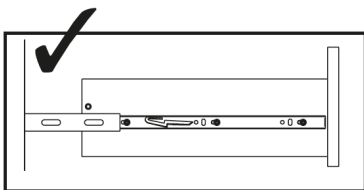
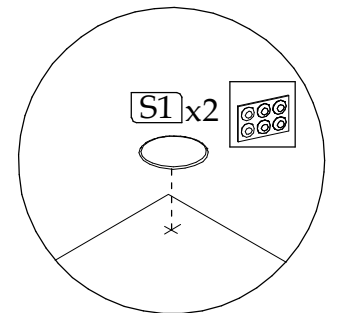
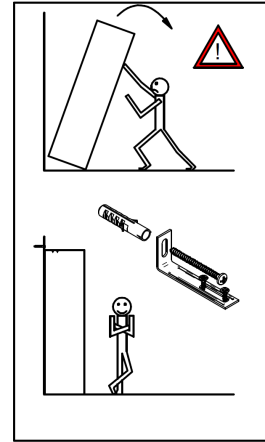
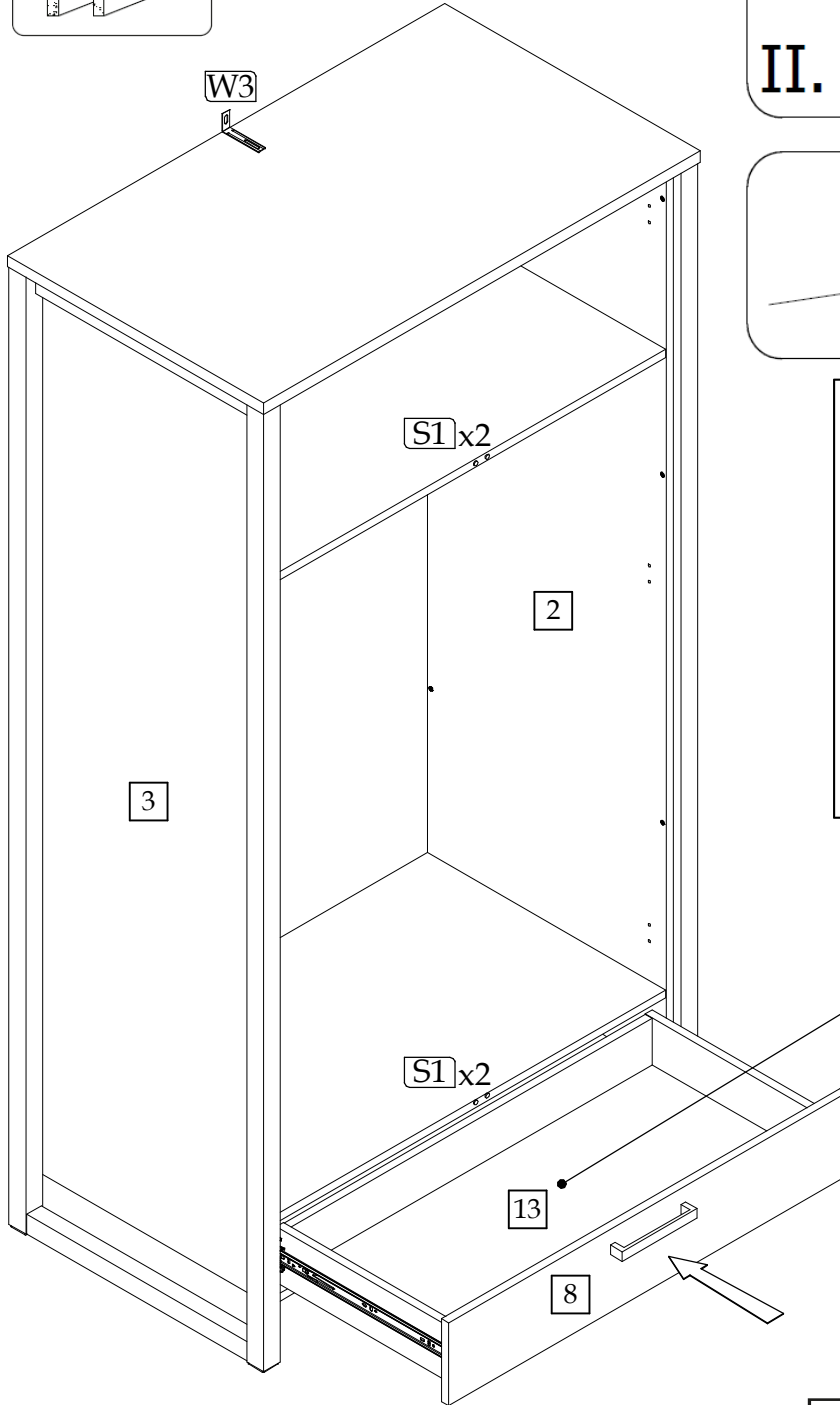
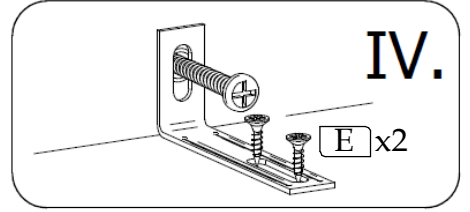
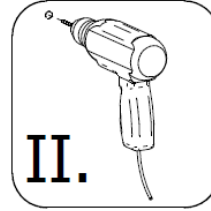
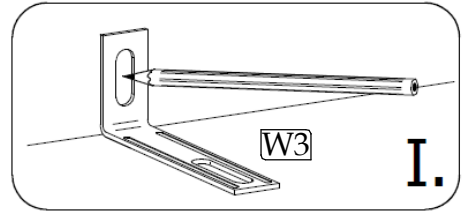
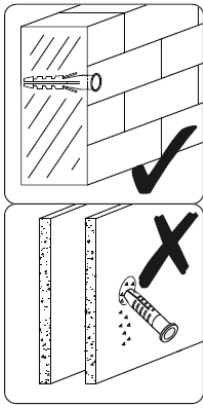
► 6



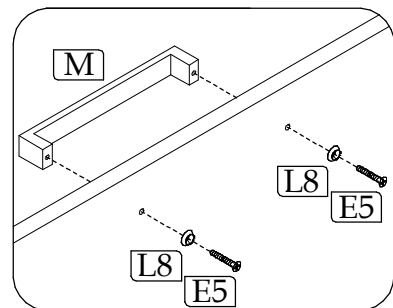
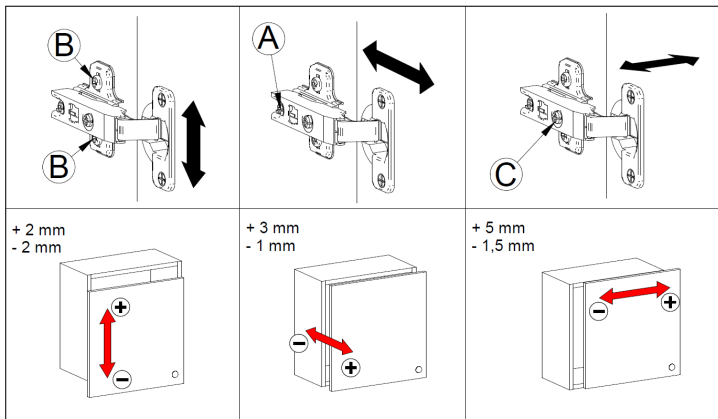
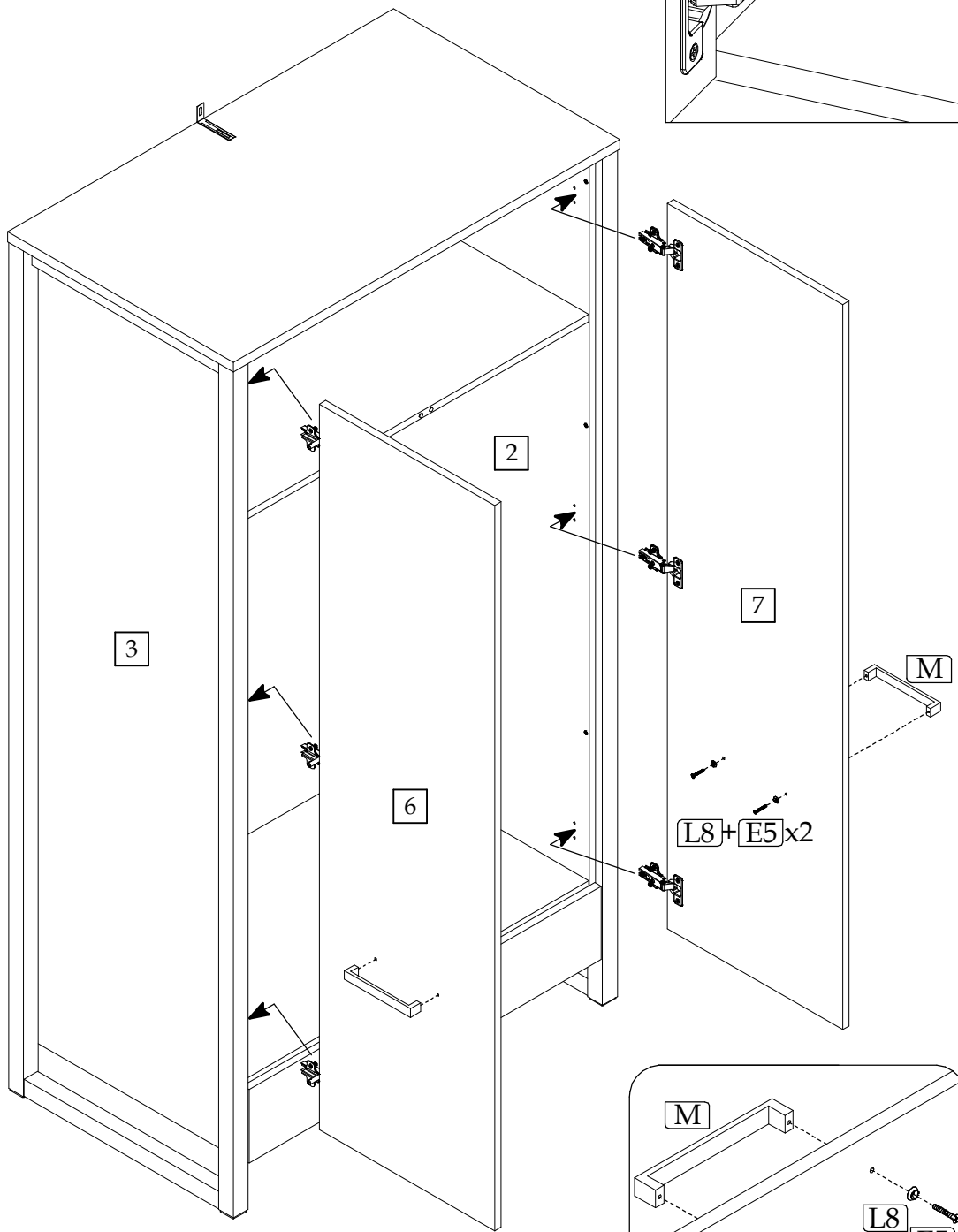
7



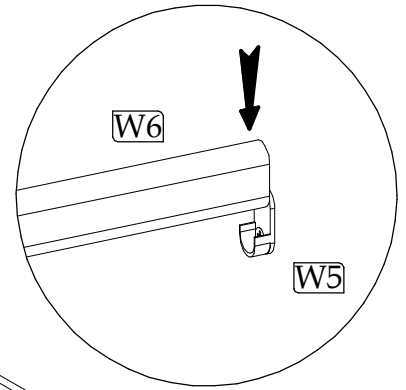
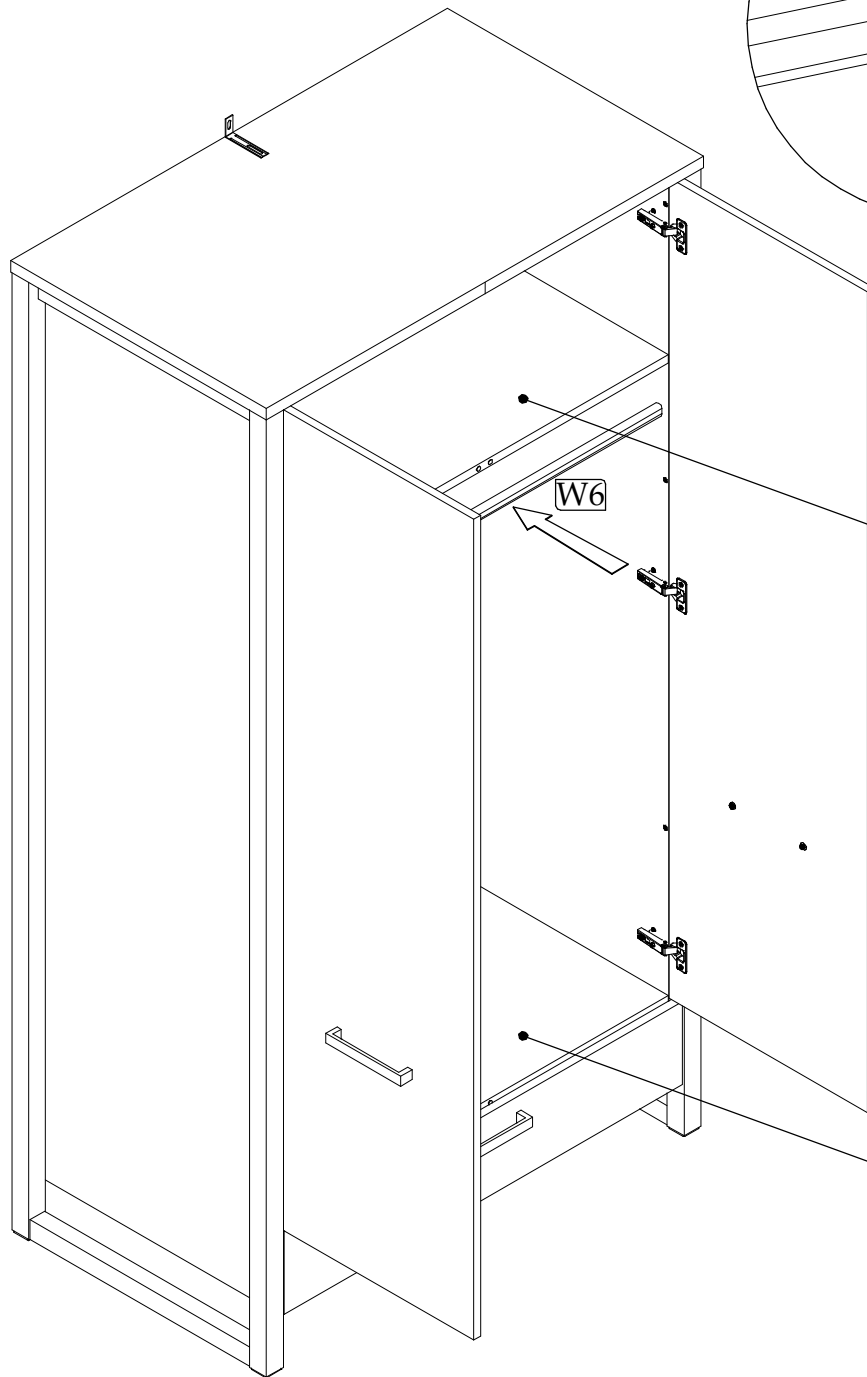
▶ 8



► 9



▶ 10



max
10 kg



max
10 kg

