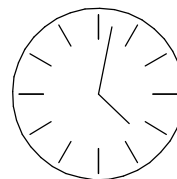
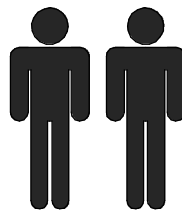
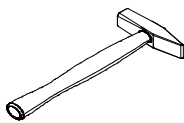
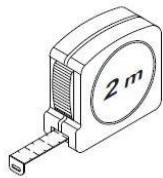
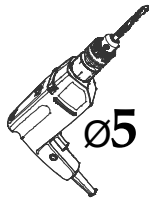
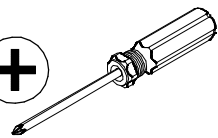
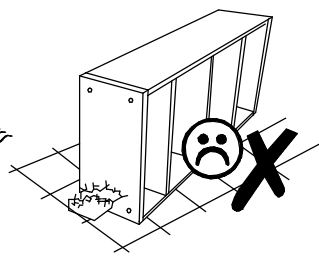
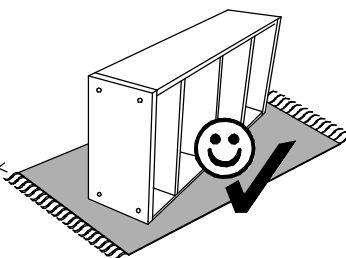
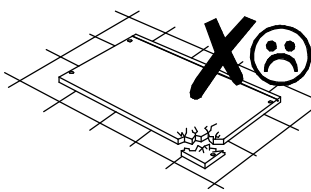
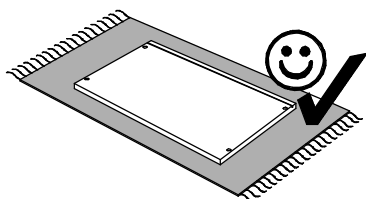
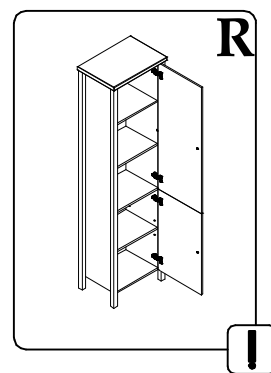
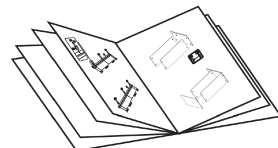
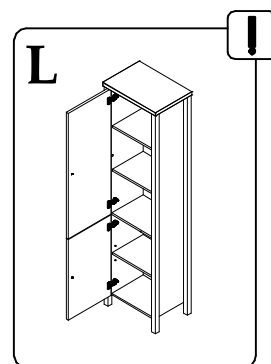
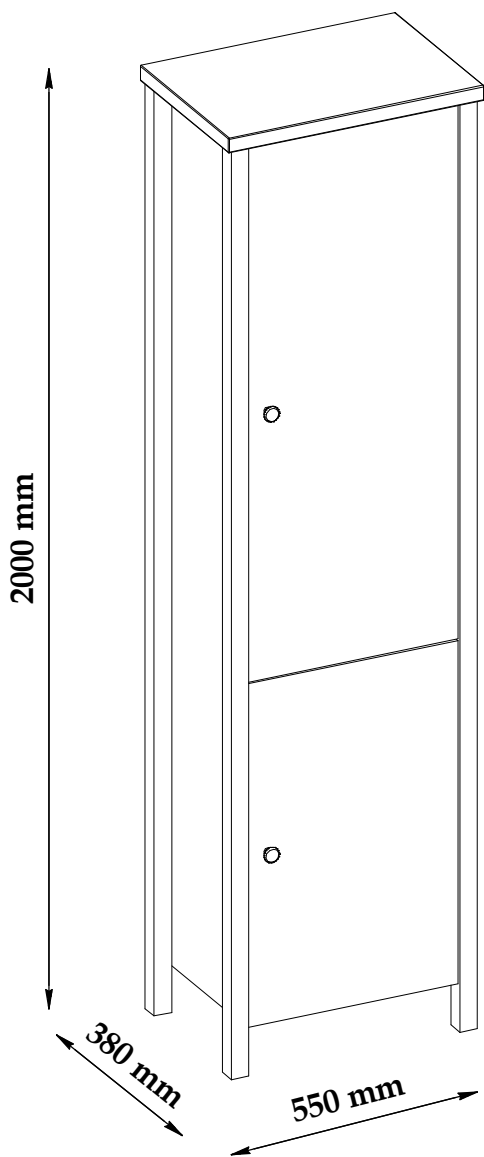


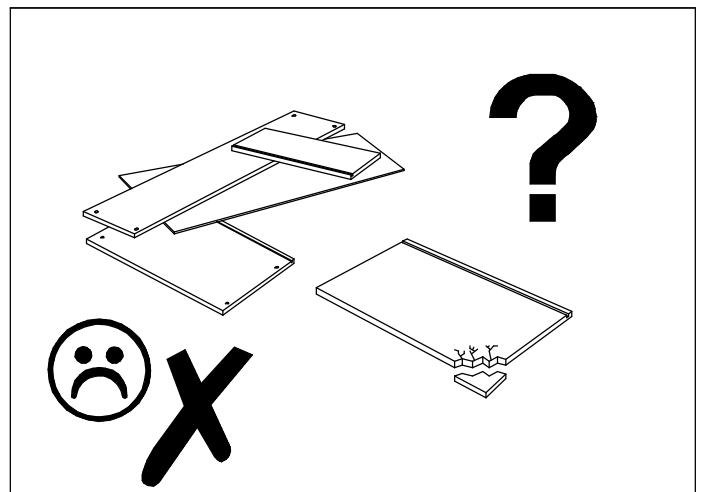
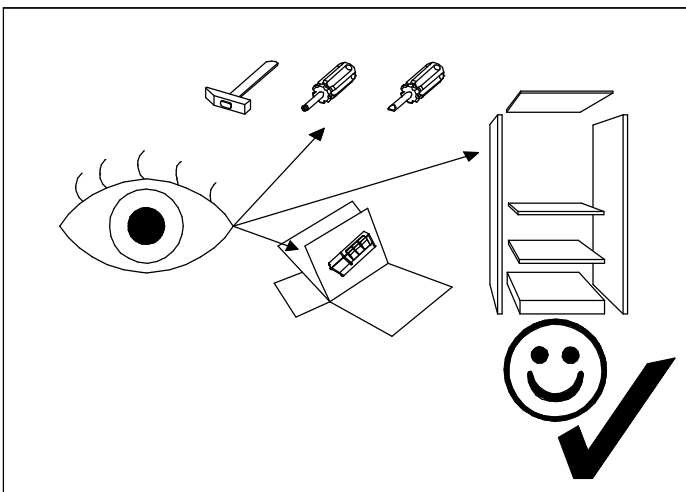
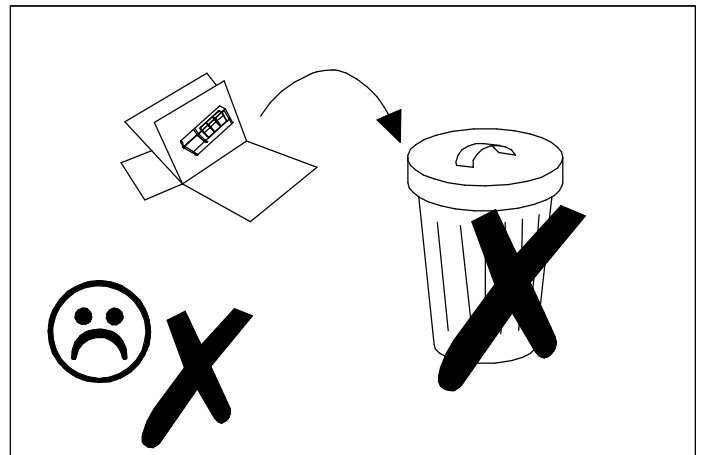
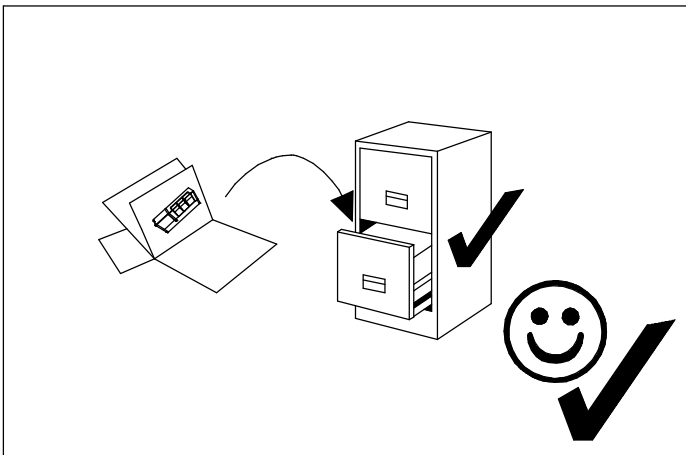
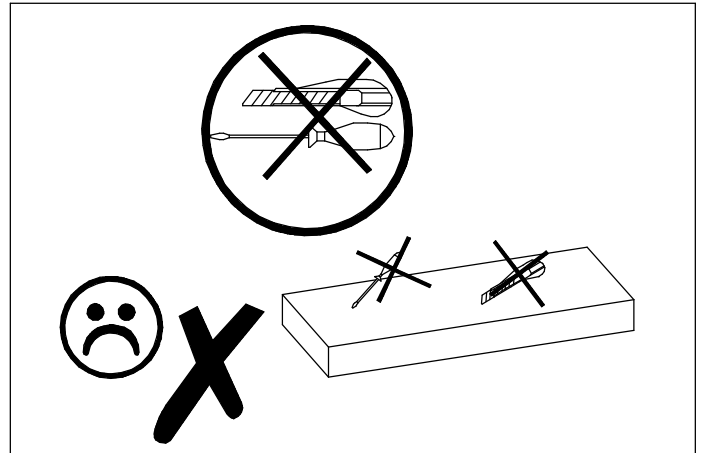
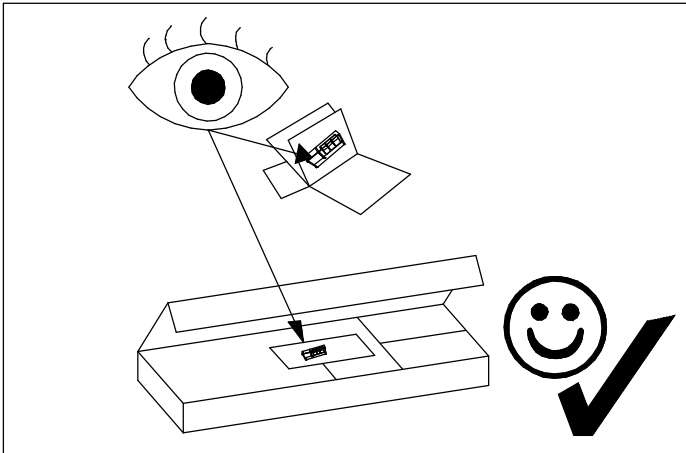
# MELINI V

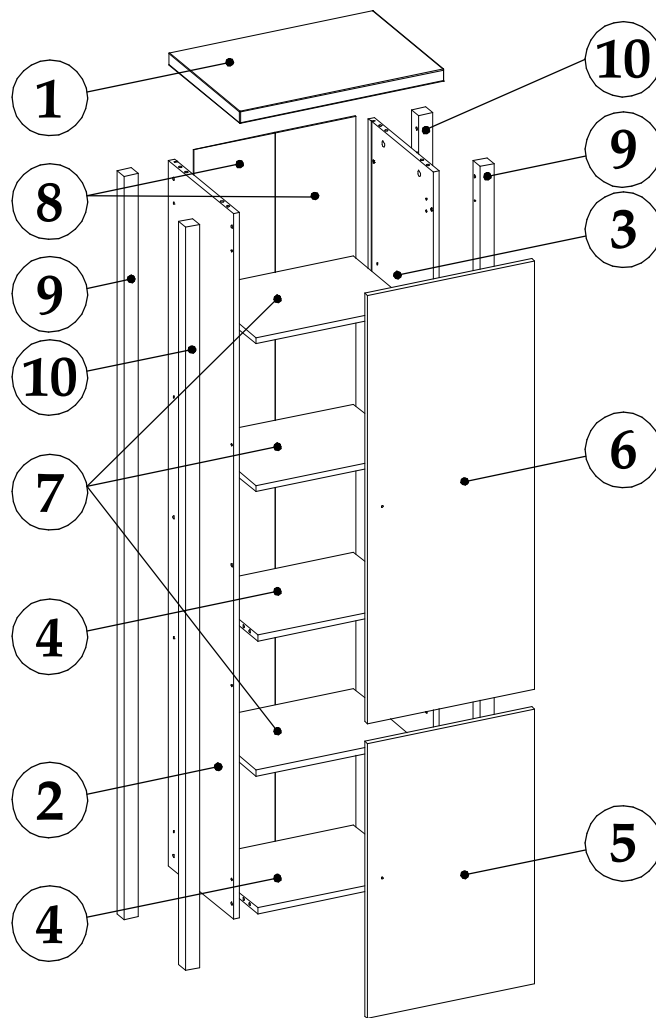
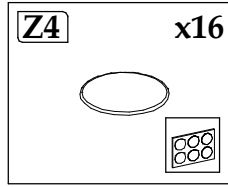
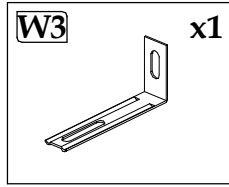
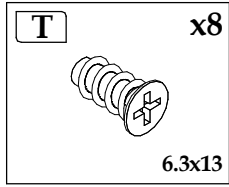
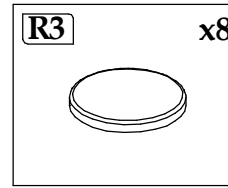
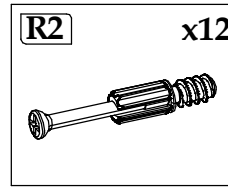
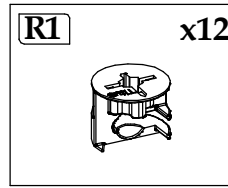
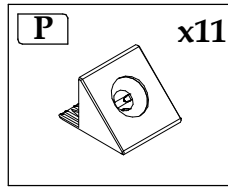
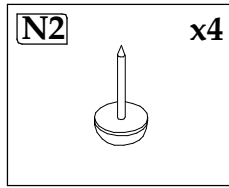
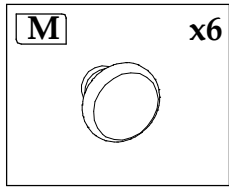
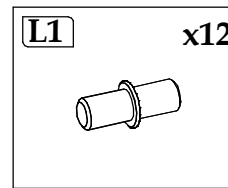
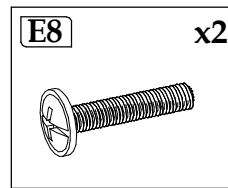
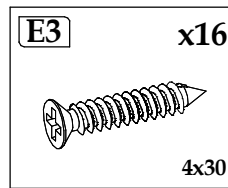
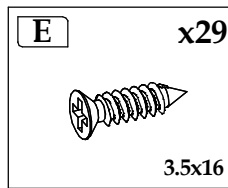
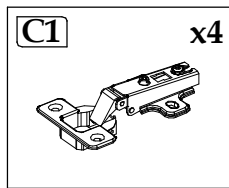
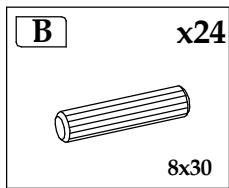
+



90 min

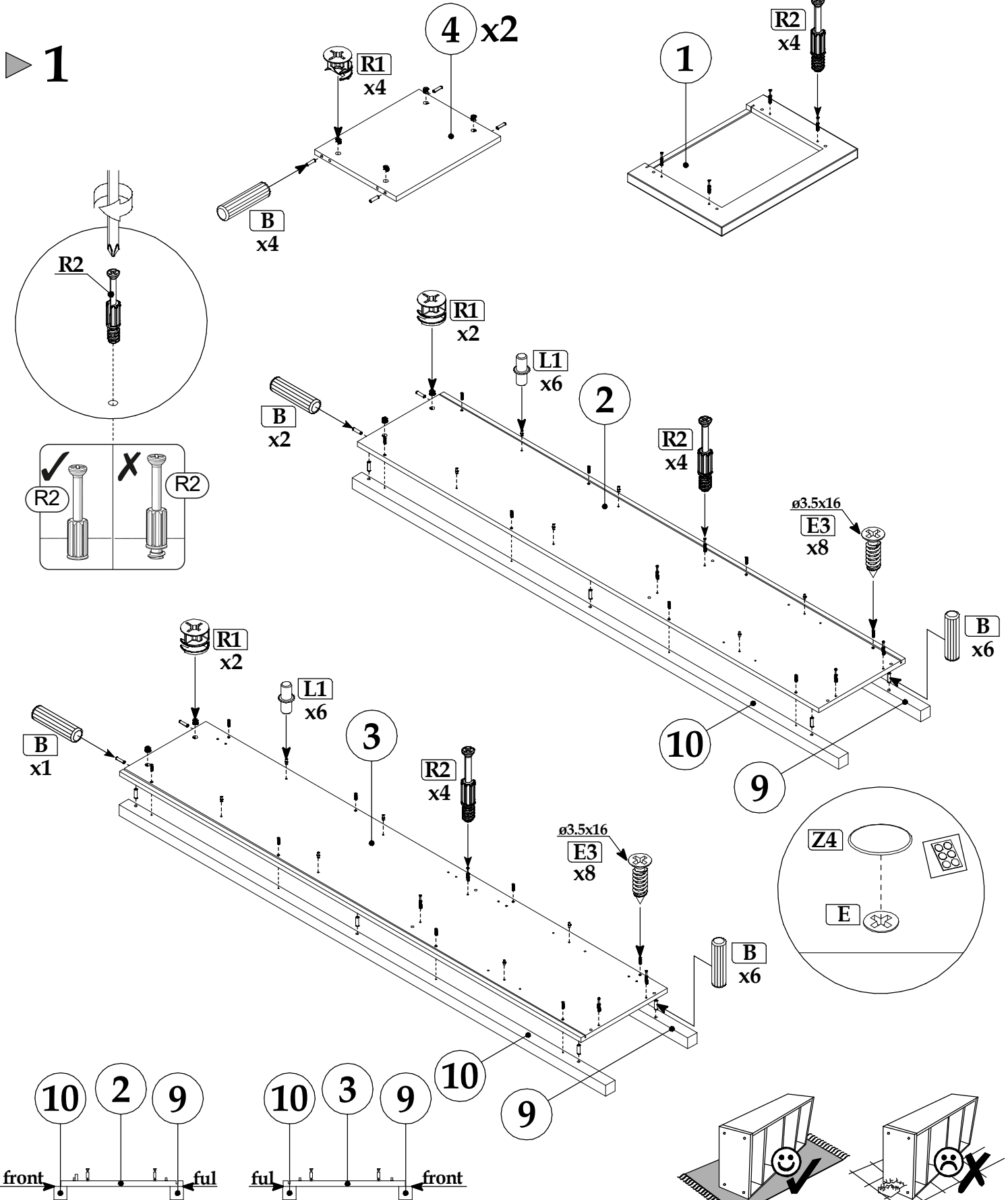
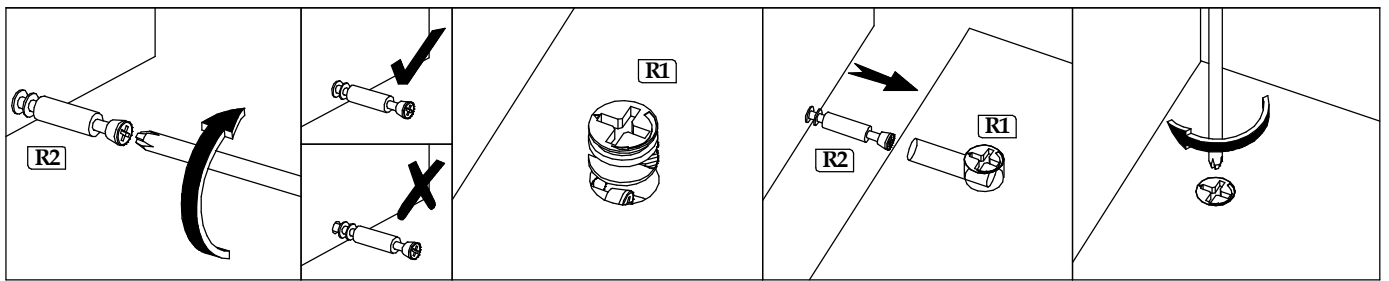


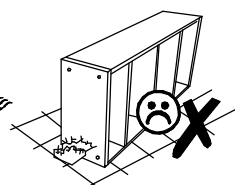
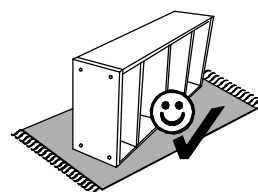
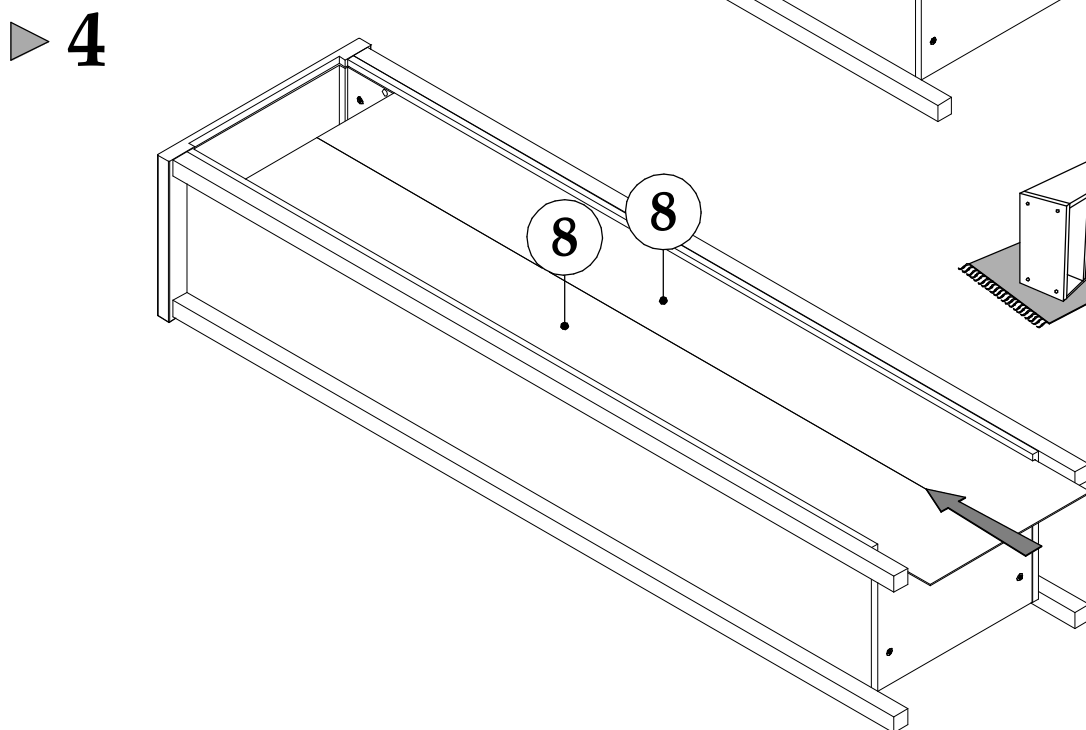
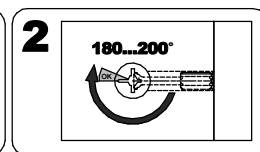
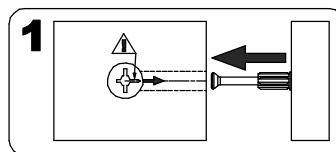
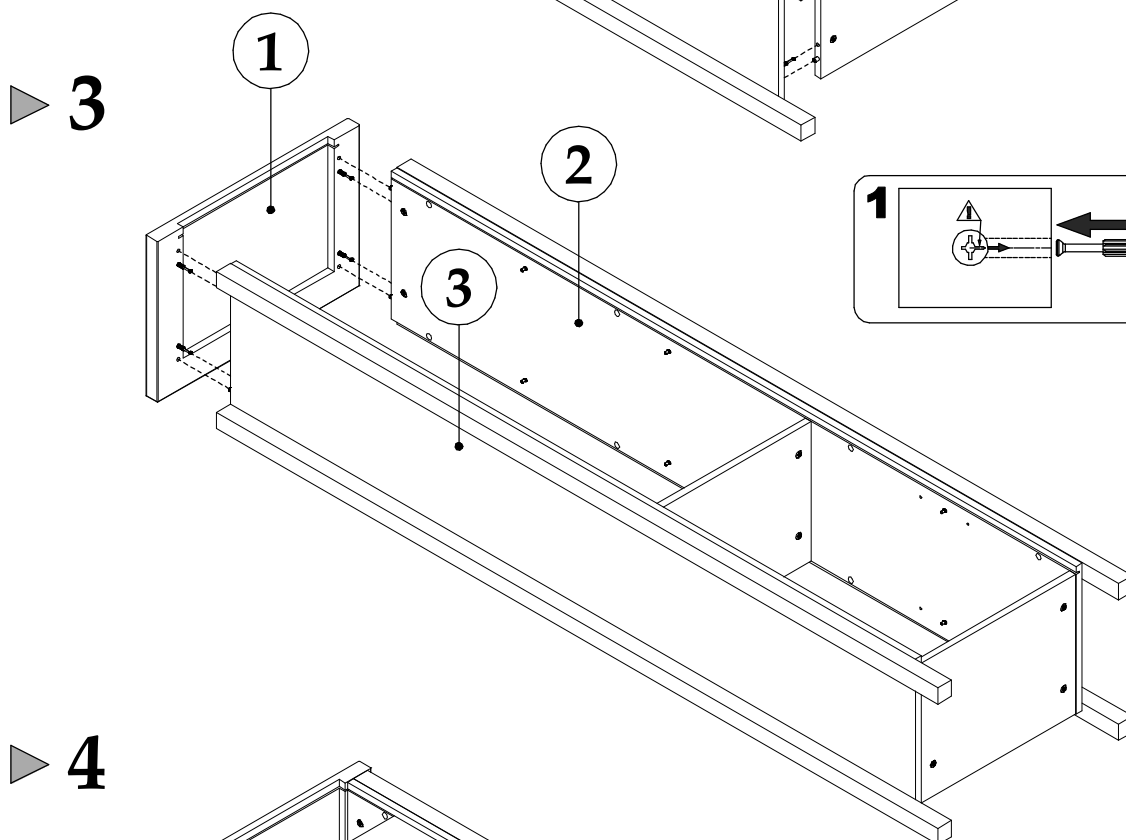
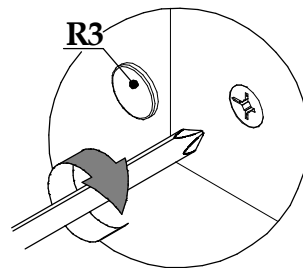
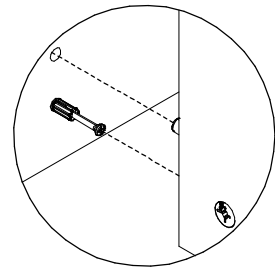
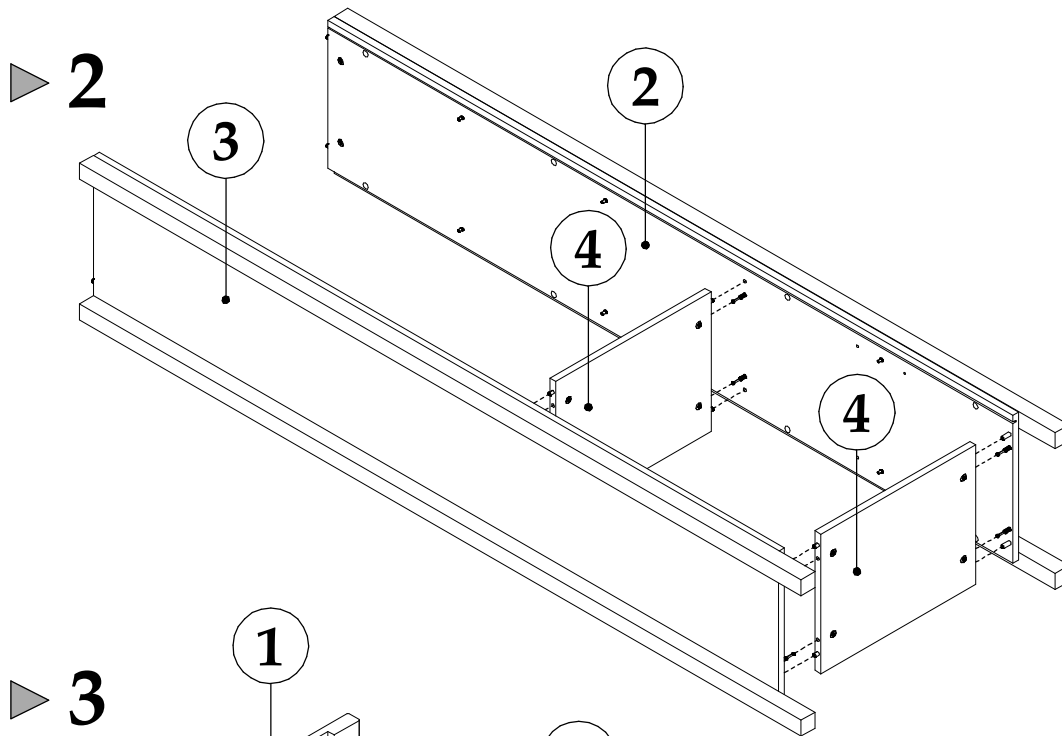




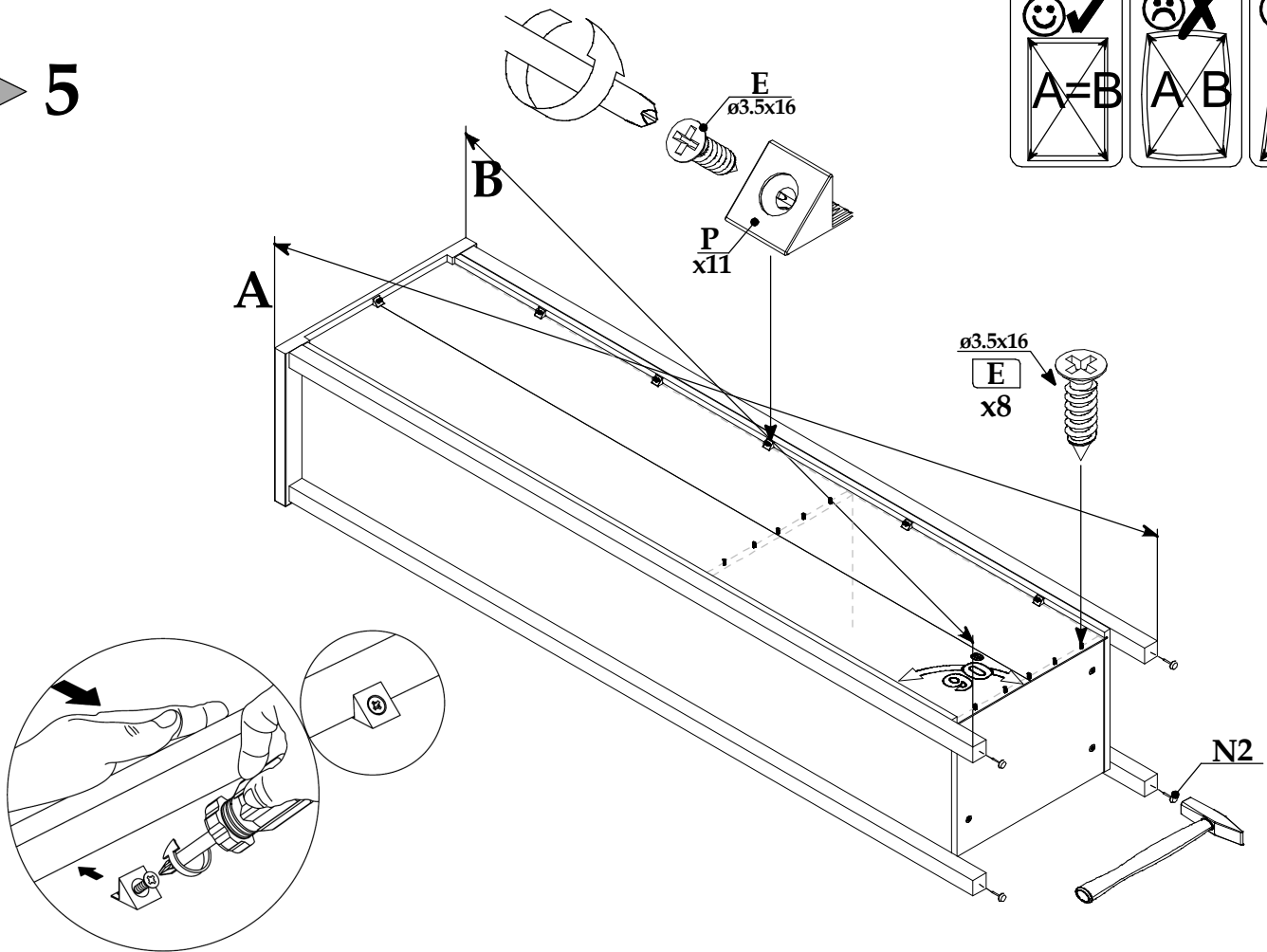
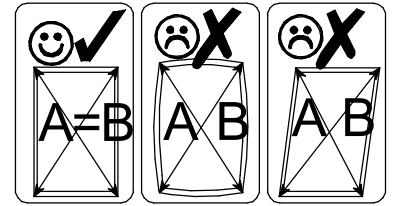
Element symbol	Measurements				Code	Paket
1	550	380	32	1	1019	2/ 2
2	1864	348,5	16	1	1004	1/ 2
3	1864	348,5	16	1	1005	1/ 2
4	422	329	16	2	1001	2/ 2
5	726	450	16	1	1009	2/ 2
6	1131	450	16	1	1010	1/ 2

7	422	320	16	1		2/ 2
8	1887	220	16	2		2/ 2
9	1963	38	38	2		2/ 2
10	1963	38	38	2		2/ 2

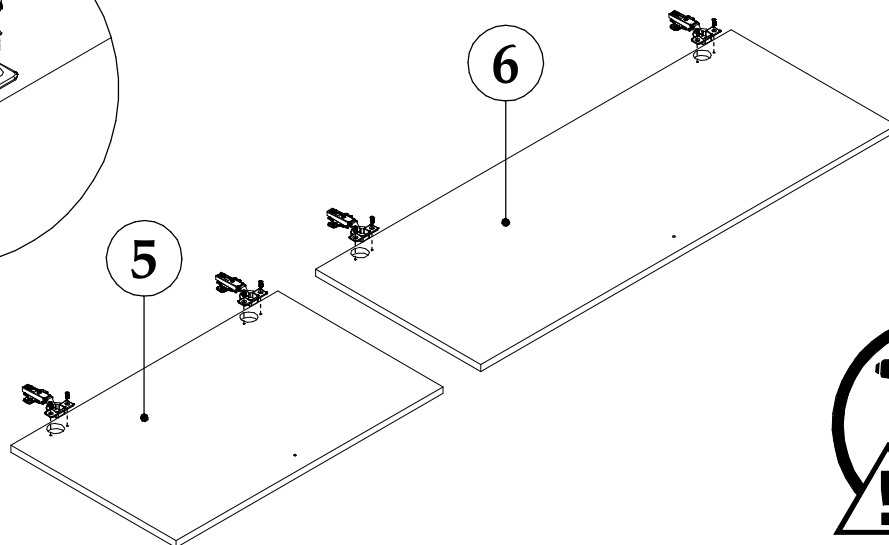
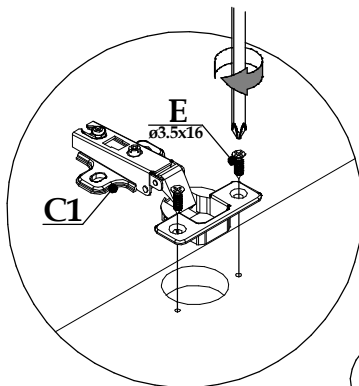
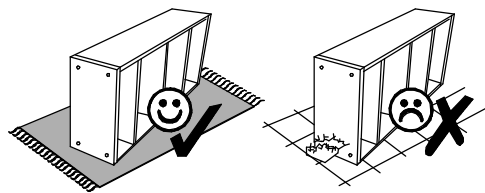




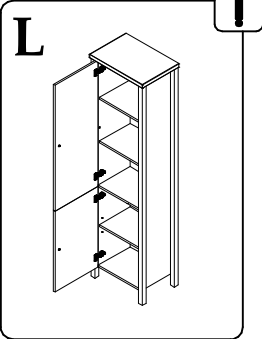
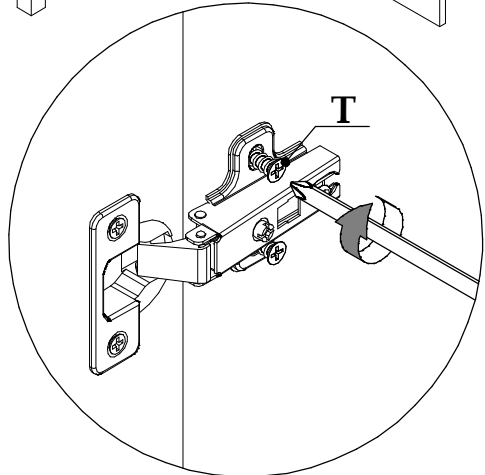
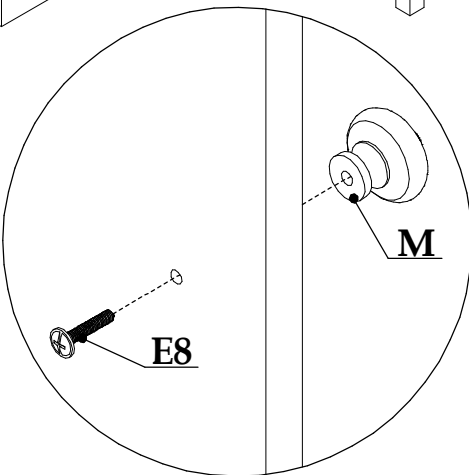
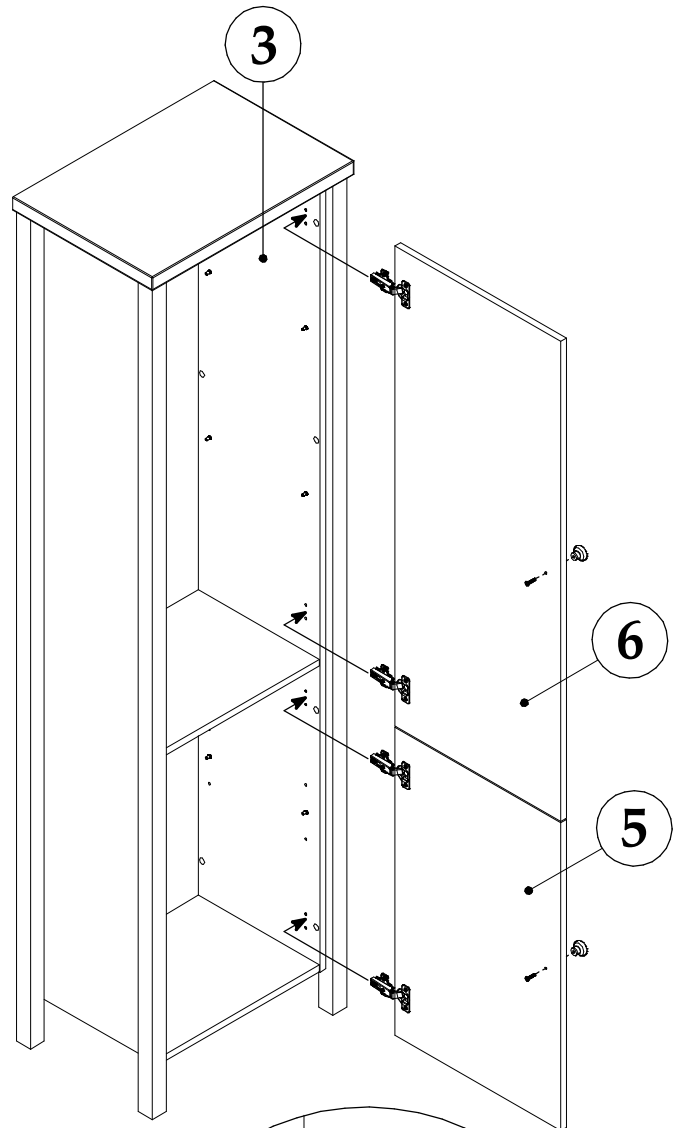
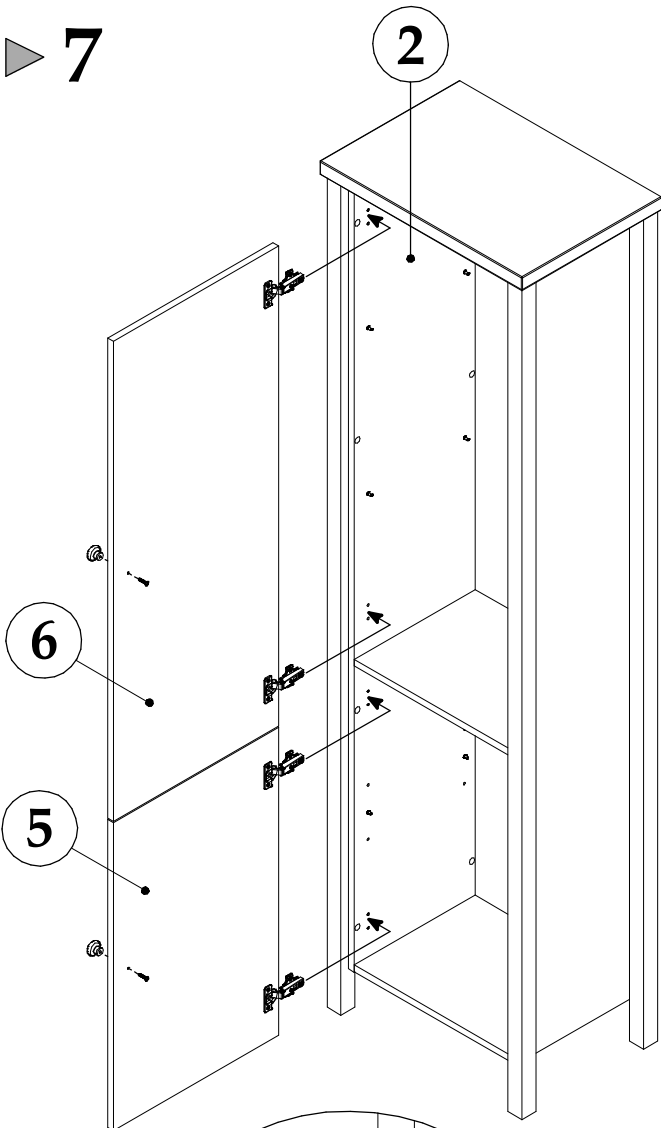
▶ 5



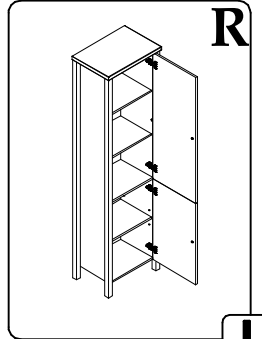
▶ 6



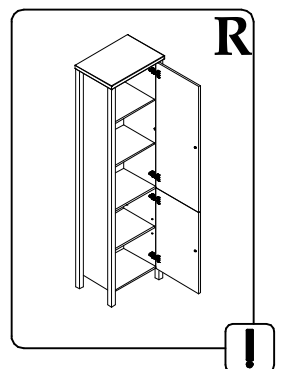
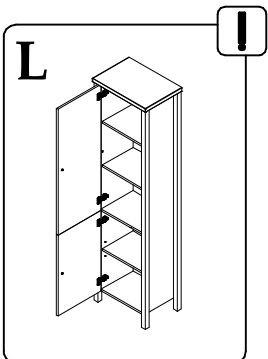
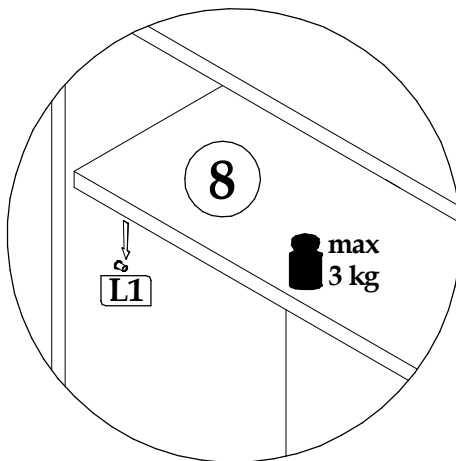
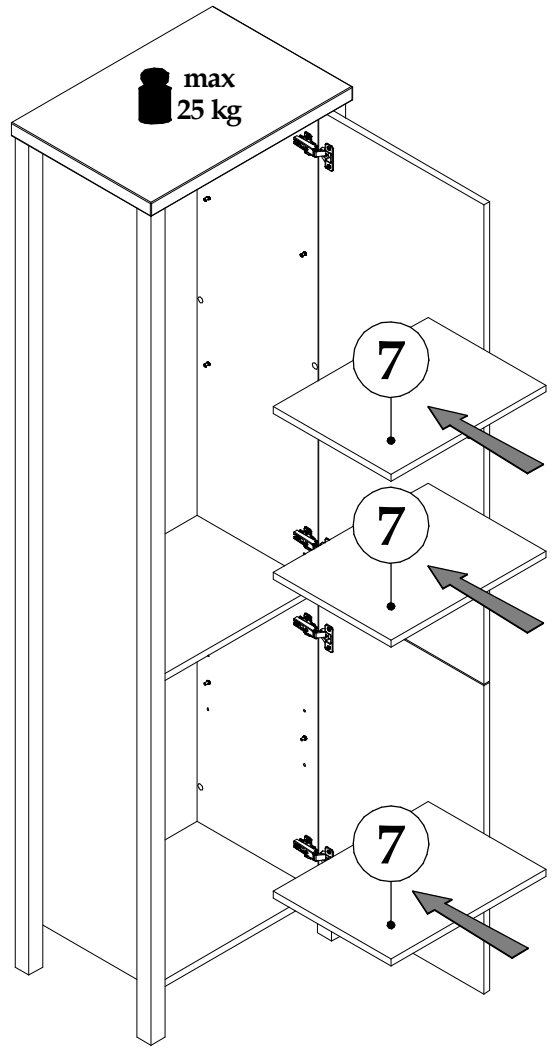
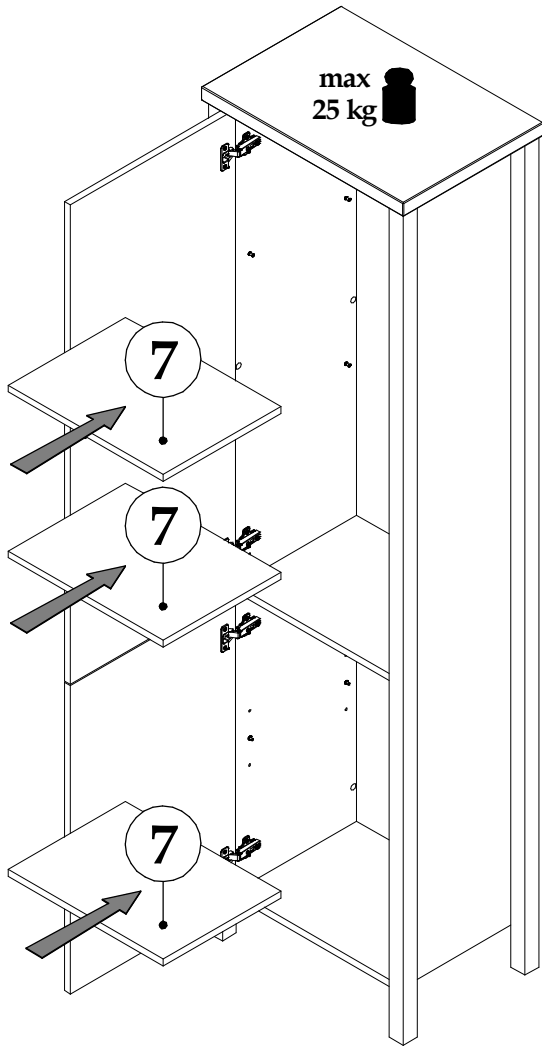
▶ 7



<p>+ 2 mm - 2 mm</p>	<p>+ 3 mm - 1 mm</p>	<p>+ 5 mm - 1.5 mm</p>



▶ 8





▶ 9

