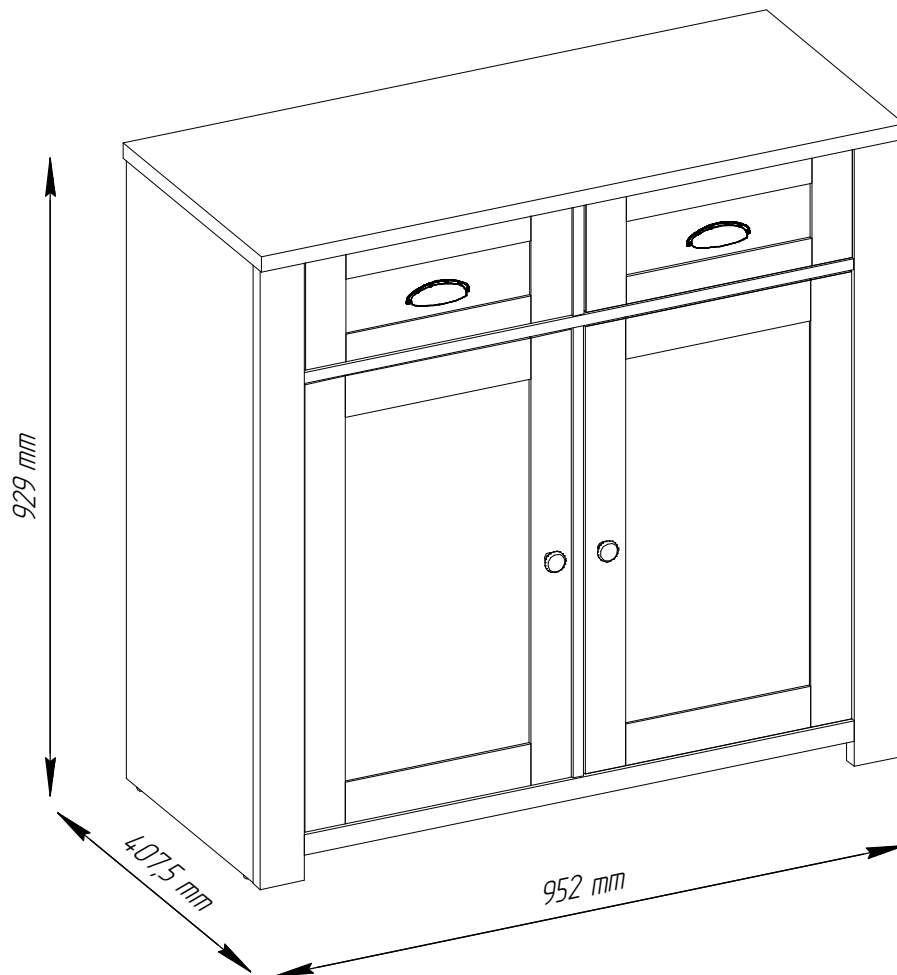
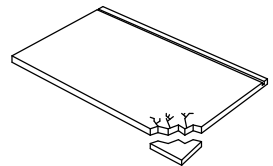
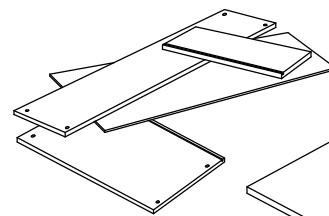
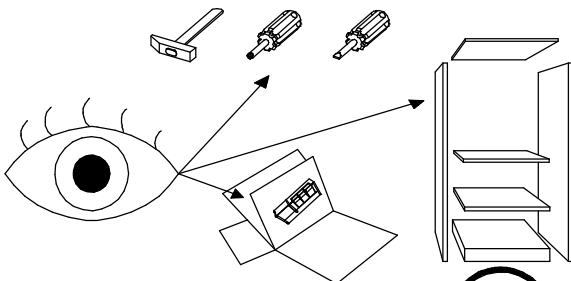
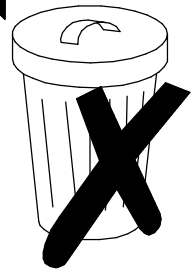
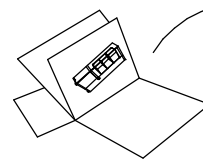
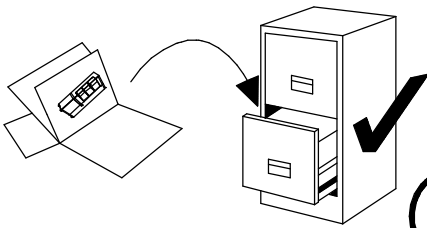
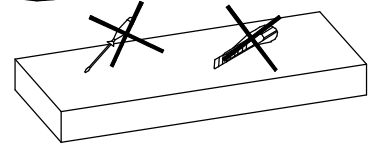
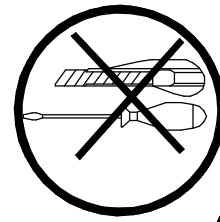
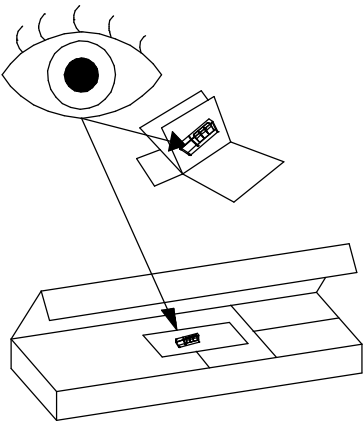
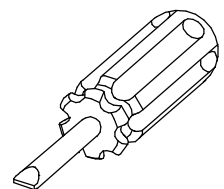
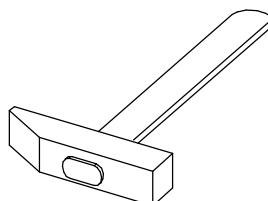
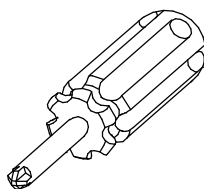
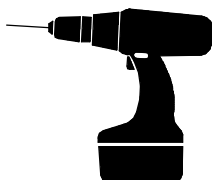
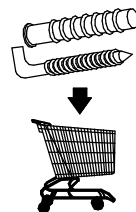
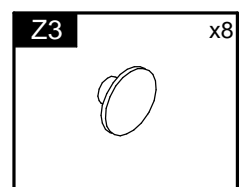
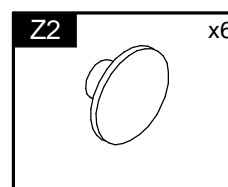
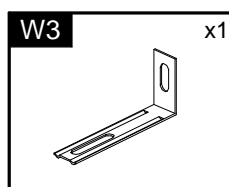
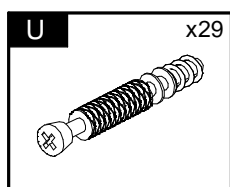
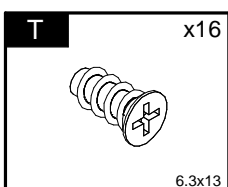
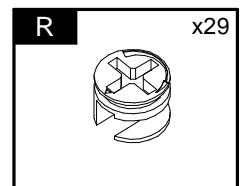
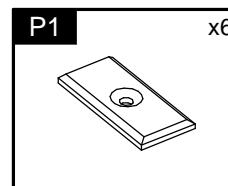
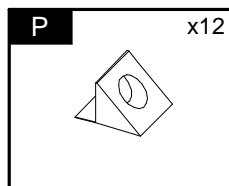
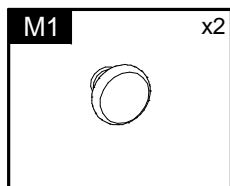
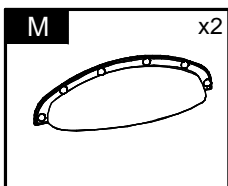
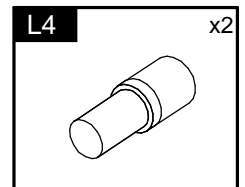
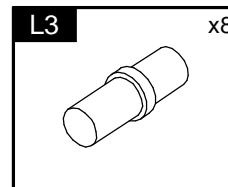
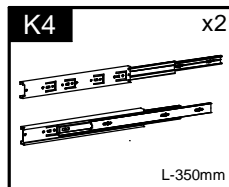
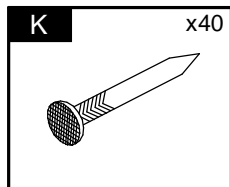
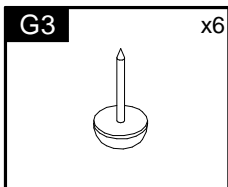
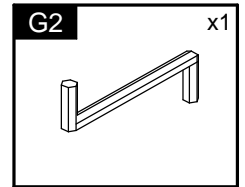
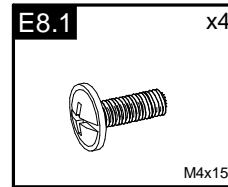
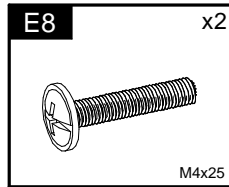
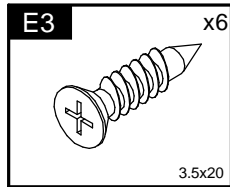
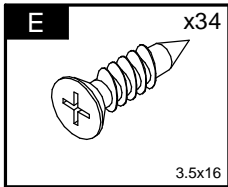
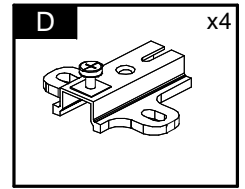
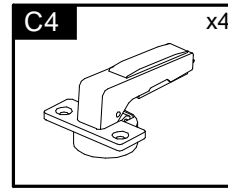
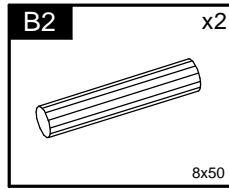
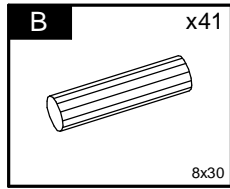
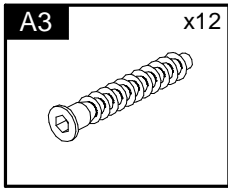
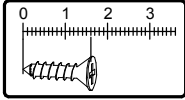
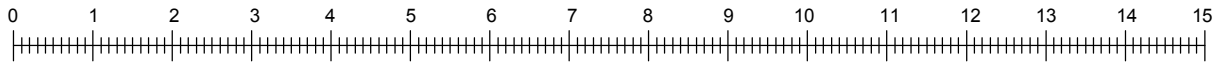


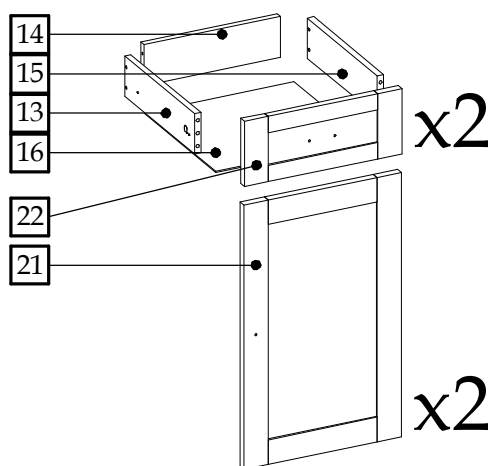
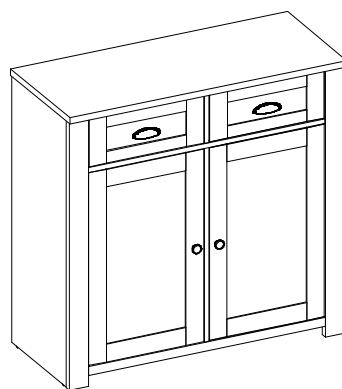
# MoNe

## Typ G

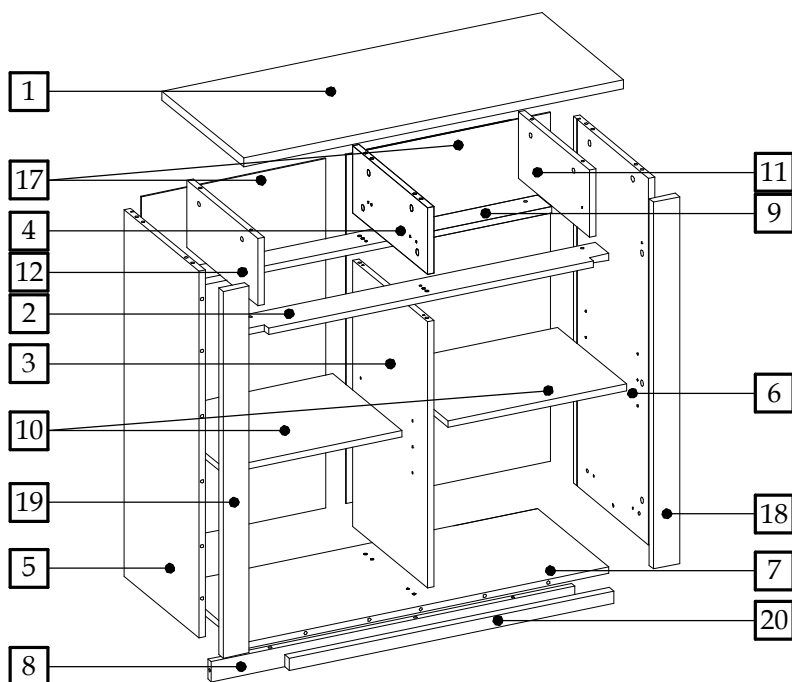


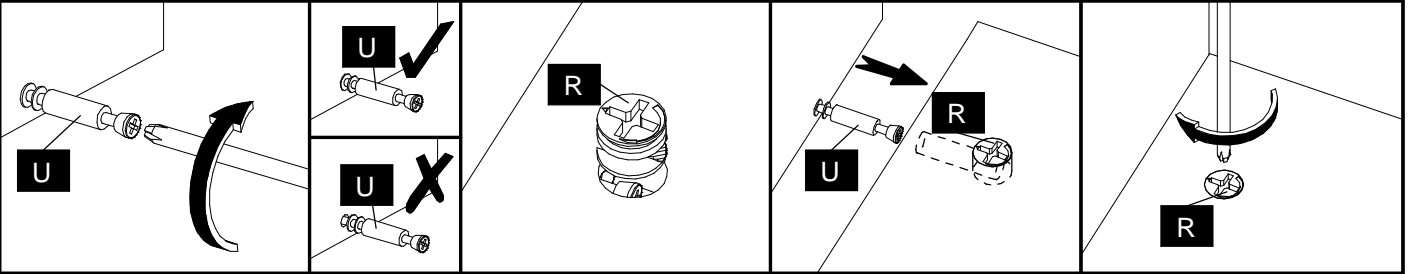




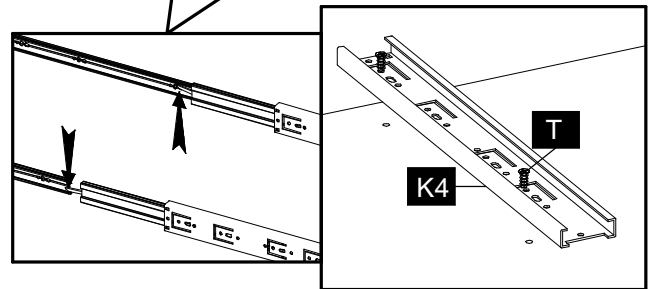
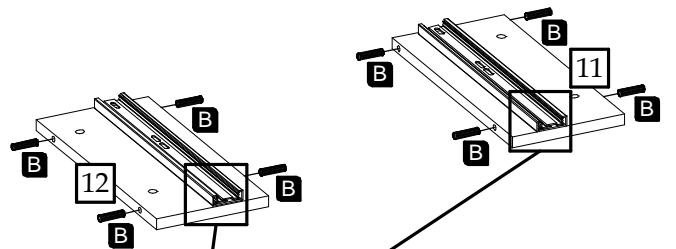
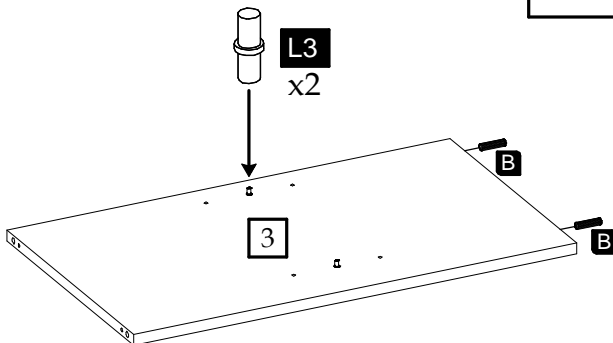
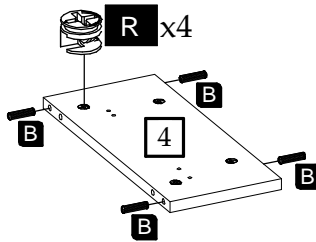
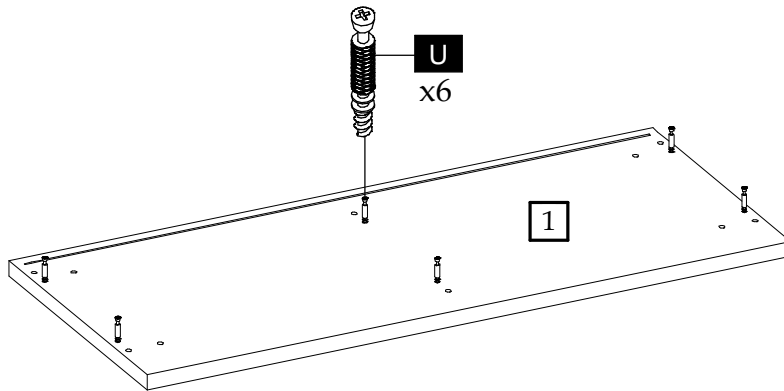


| Element symbol | Measurements |       |    |   | Code | Paket |
|----------------|--------------|-------|----|---|------|-------|
|                |              |       |    |   |      |       |
| 1              | 952          | 407.5 | 22 | 1 | 1002 | 1/2   |
| 2              | 911          | 90    | 16 | 1 | 1008 | 1/2   |
| 3              | 655          | 374   | 16 | 1 | 1010 | 1/2   |
| 4              | 165          | 374   | 16 | 1 | 1001 | 1/2   |
| 5              | 902          | 375   | 16 | 1 | 1003 | 1/2   |
| 6              | 902          | 375   | 16 | 1 | 1004 | 1/2   |
| 7              | 911          | 355   | 16 | 1 | 1005 | 1/2   |
| 8              | 911          | 50    | 16 | 1 | 1007 | 1/2   |
| 9              | 911          | 70    | 16 | 1 | 1009 | 1/2   |
| 10             | 447          | 345   | 16 | 2 | N/A  | 1/2   |
| 11             | 165          | 355   | 16 | 1 | 1013 | 1/2   |
| 12             | 165          | 355   | 16 | 1 | 1014 | 1/2   |
| 13             | 350          | 100   | 16 | 2 | 1016 | 1/2   |
| 14             | 342          | 100   | 16 | 2 | 1017 | 1/2   |
| 15             | 350          | 100   | 16 | 2 | 1018 | 1/2   |
| 16             | 374          | 355   | 3  | 2 | N/A  | 2/2   |
| 17             | 859          | 462   | 3  | 2 | N/A  | 1/2   |
| 18             | 902          | 65    | 22 | 1 | 3040 | 1/2   |
| 19             | 902          | 65    | 22 | 1 | 3041 | 1/2   |
| 20             | 814          | 30    | 22 | 1 | 3042 | 1/2   |
| 21             | 649          | 394   | 19 | 2 | 3047 | 2/2   |
| 22             | 394          | 160   | 19 | 2 | 3048 | 2/2   |

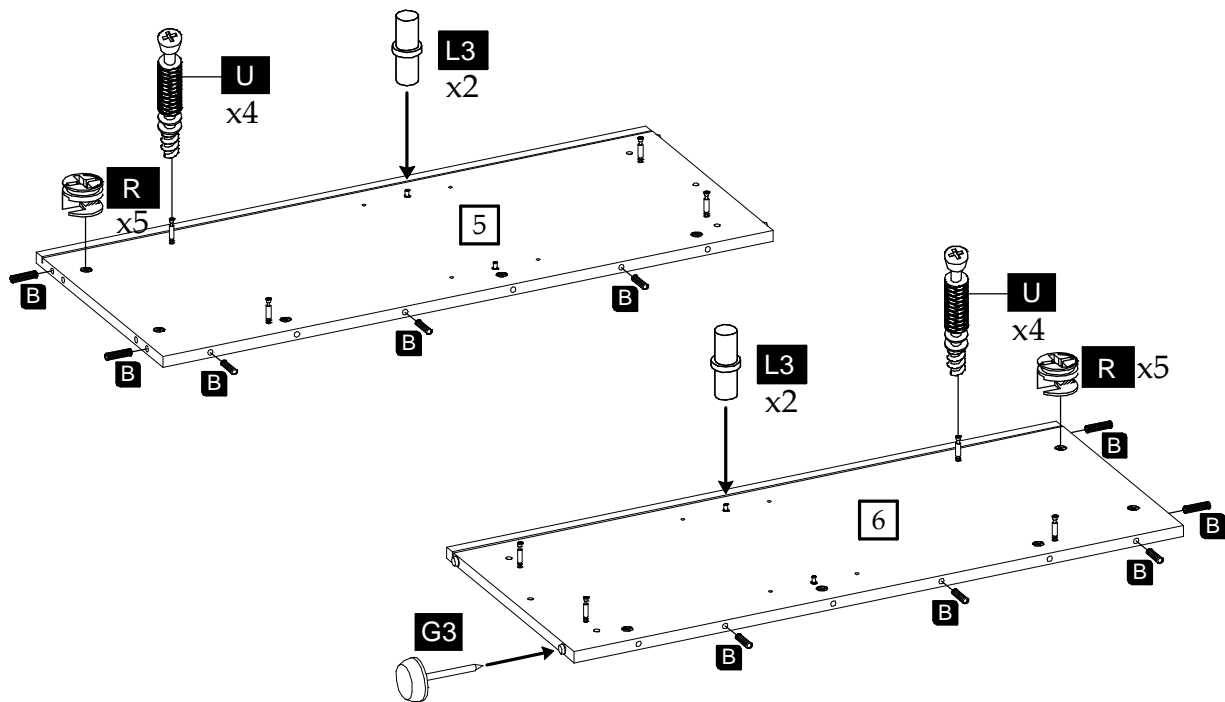




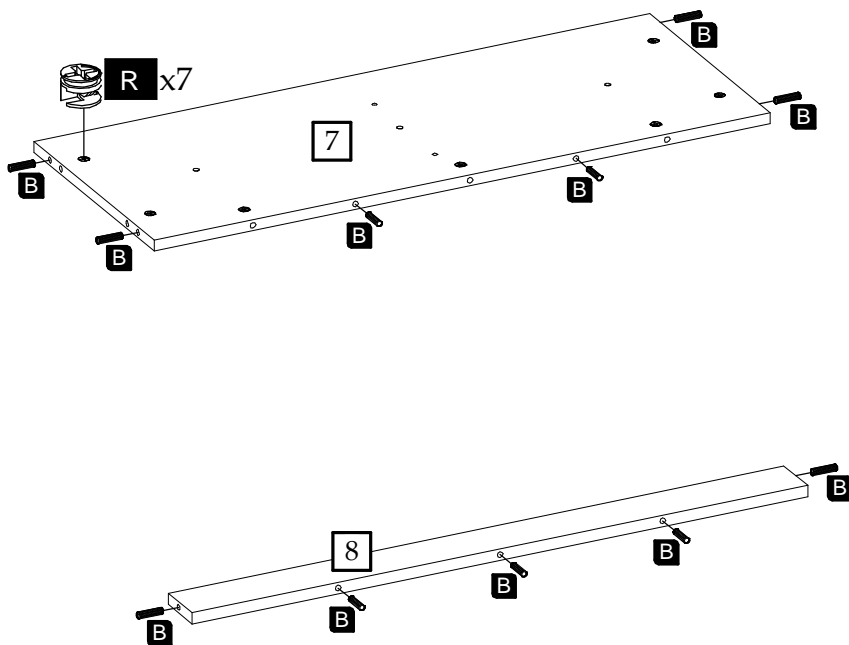
1



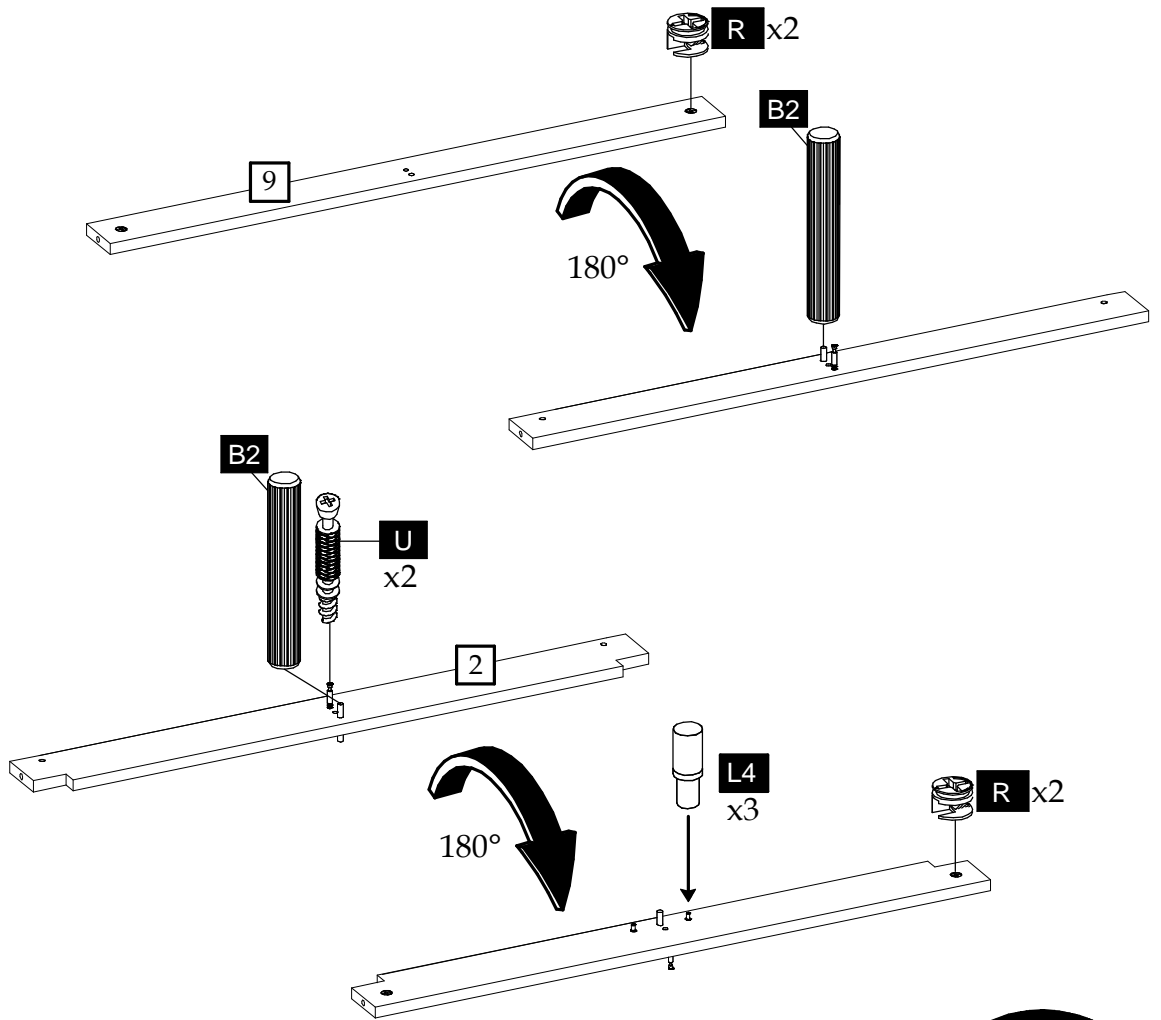
2



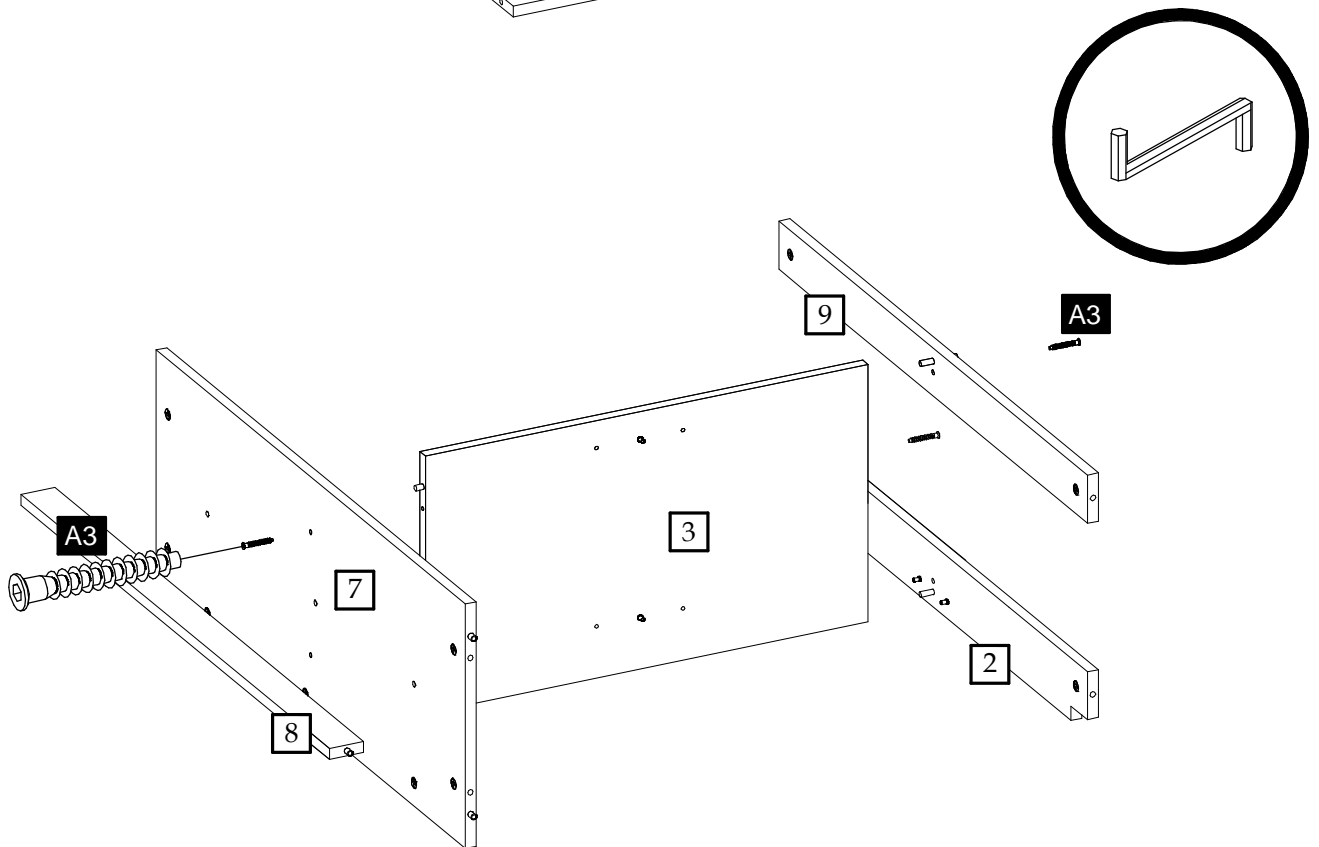
3



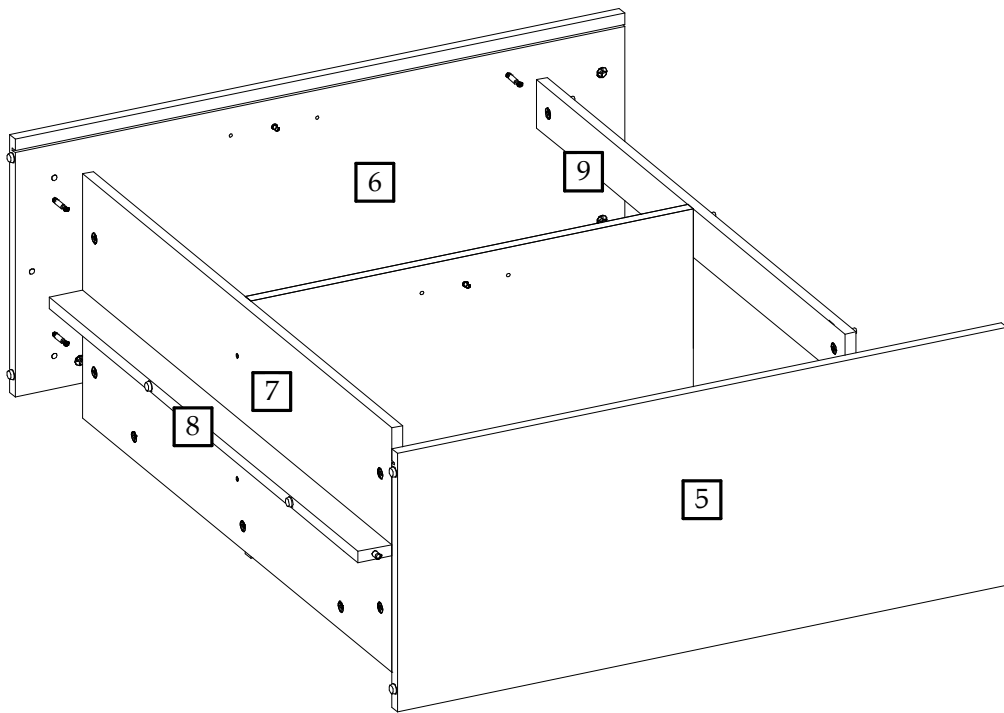
4



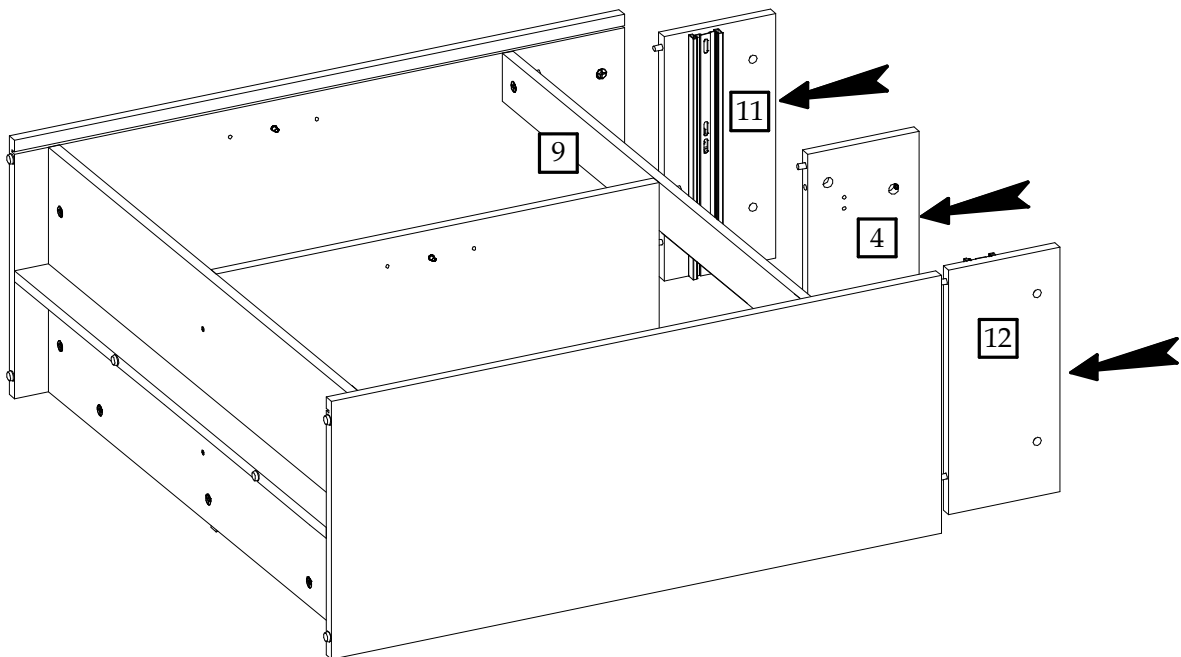
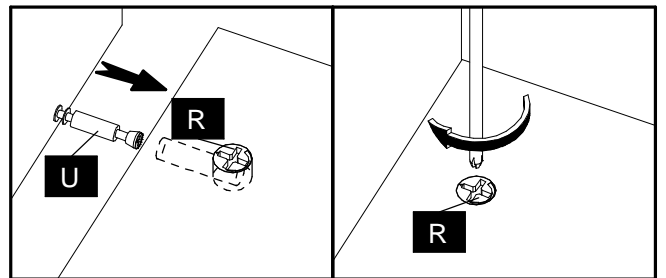
5



6

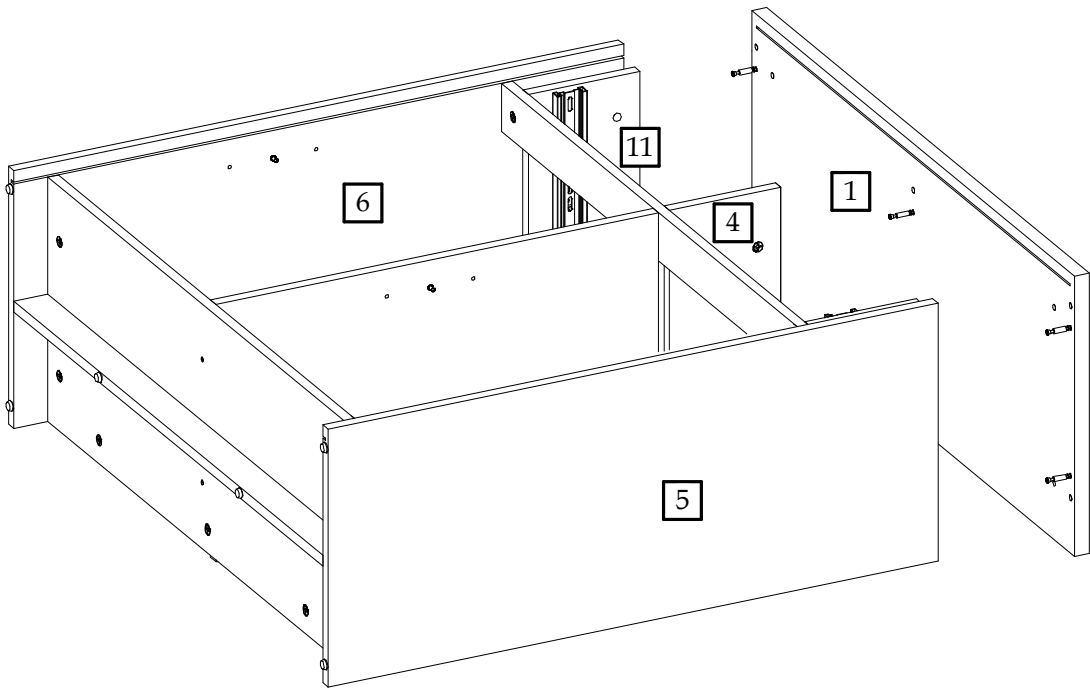


7

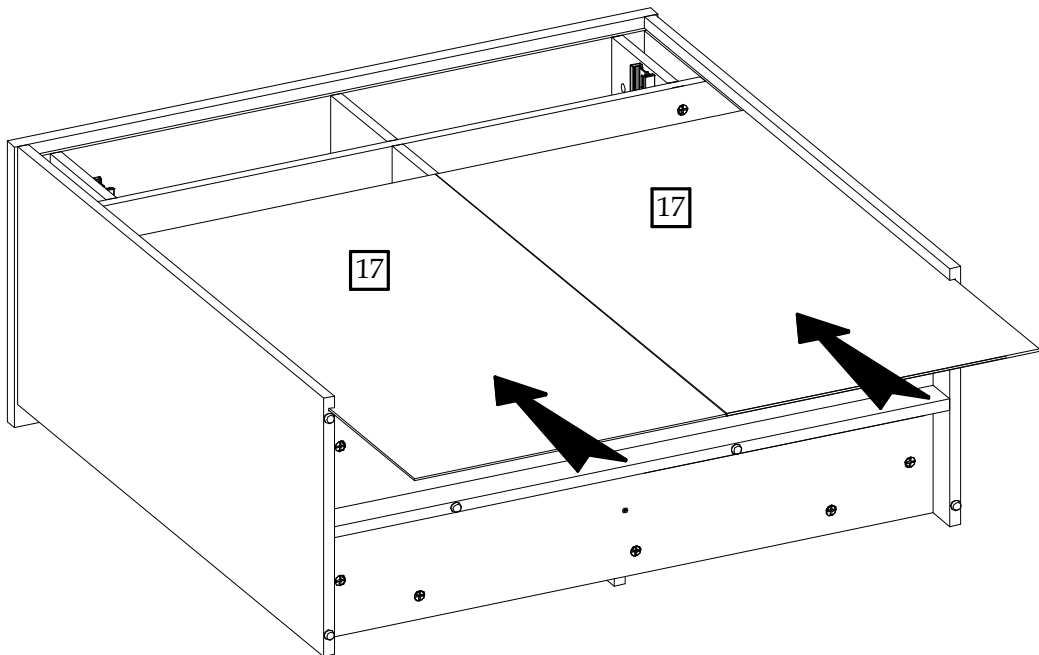




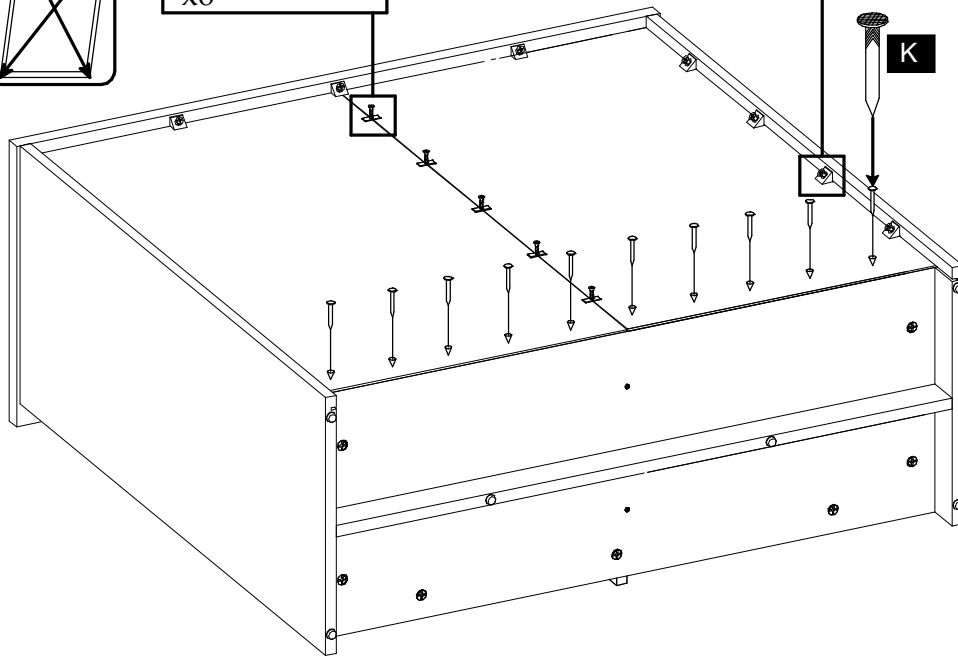
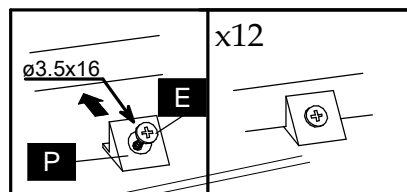
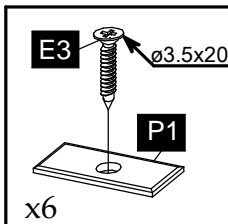
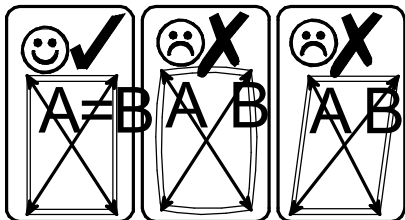
8



9



# 10



# 11

