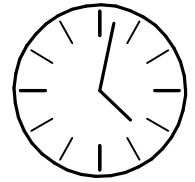
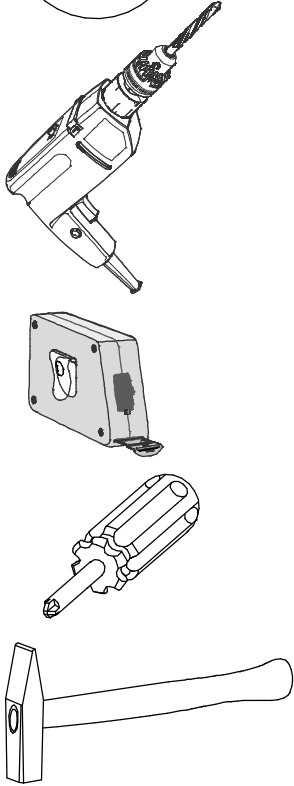
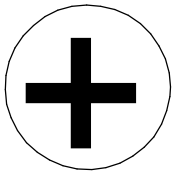
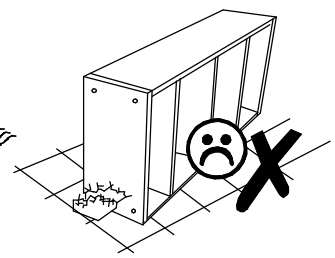
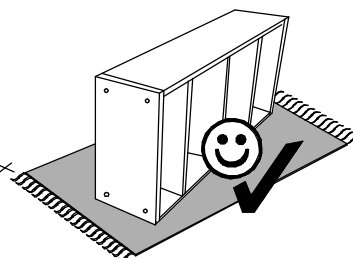
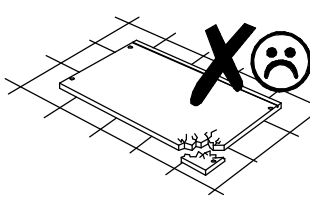
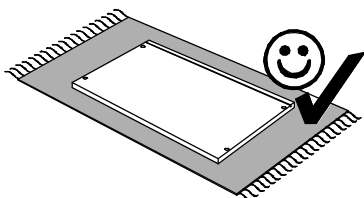
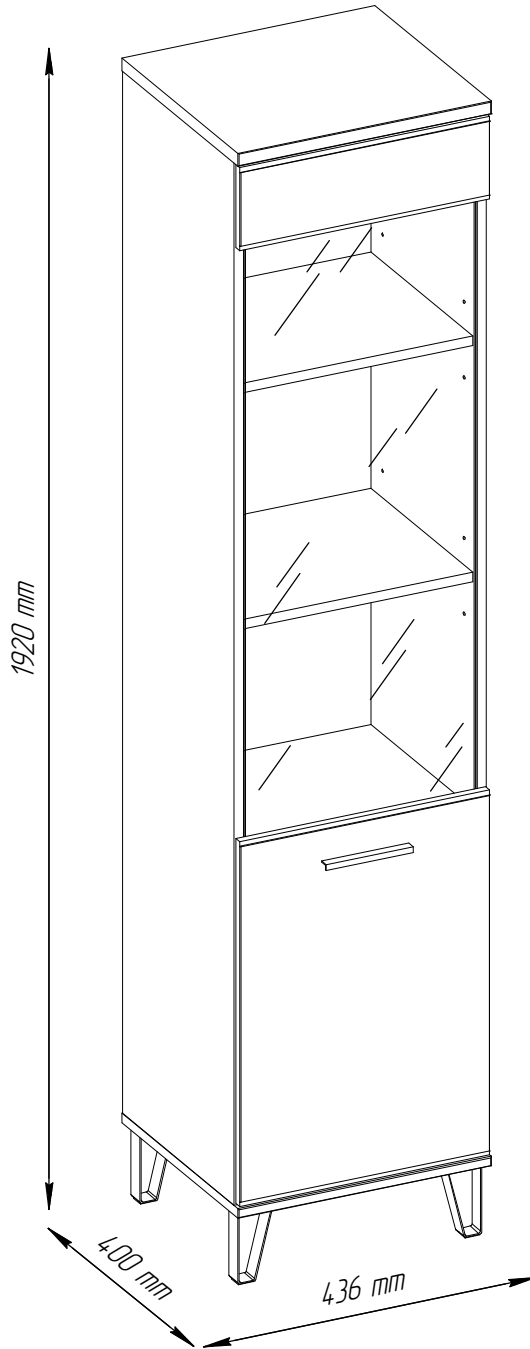
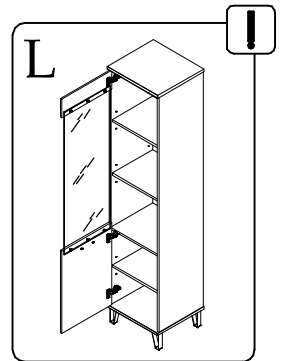
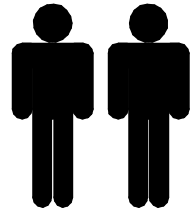
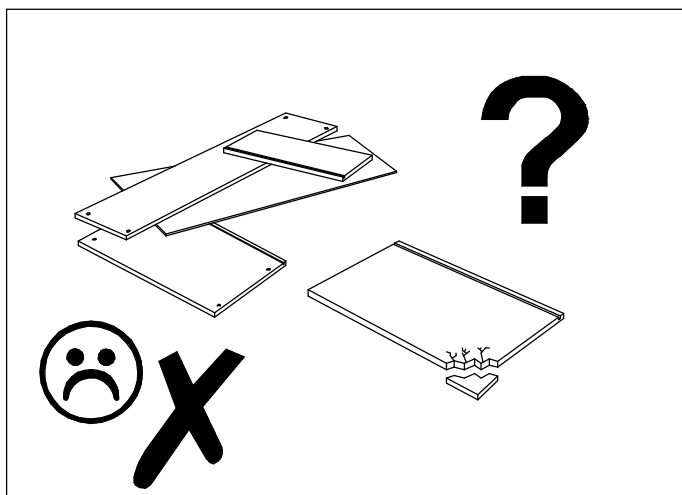
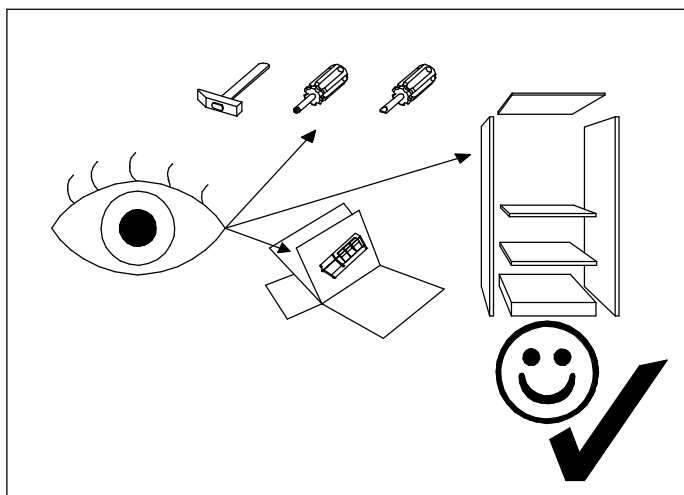
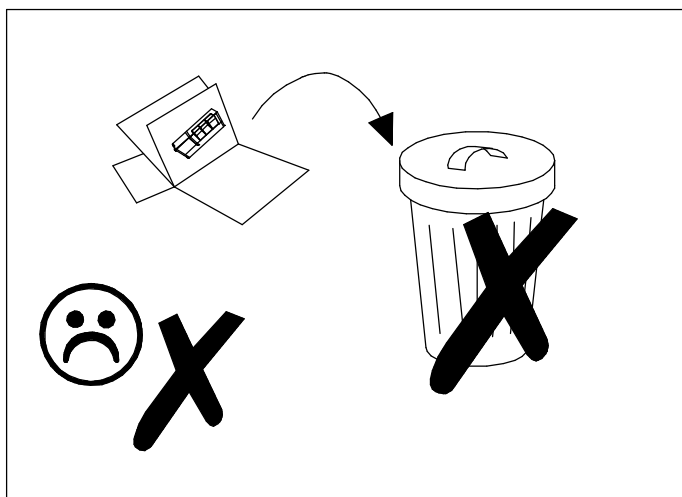
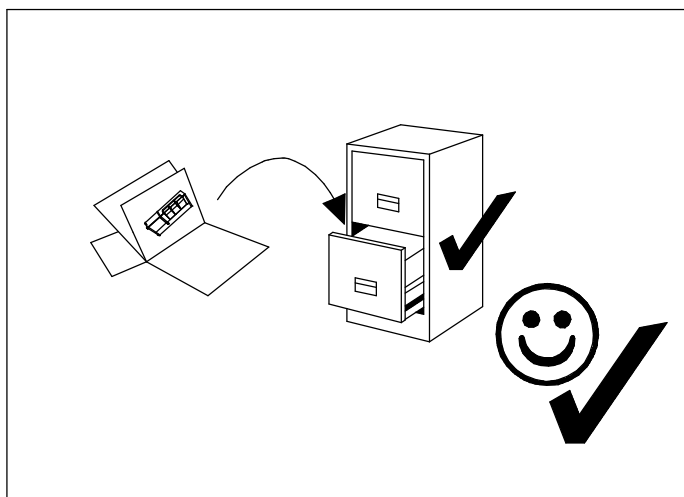


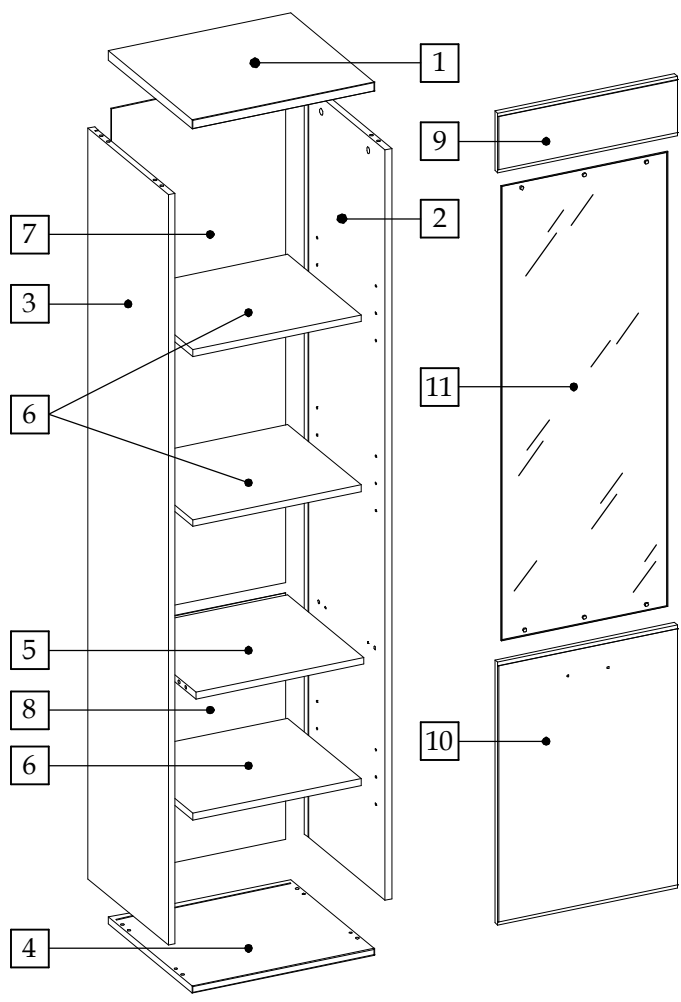
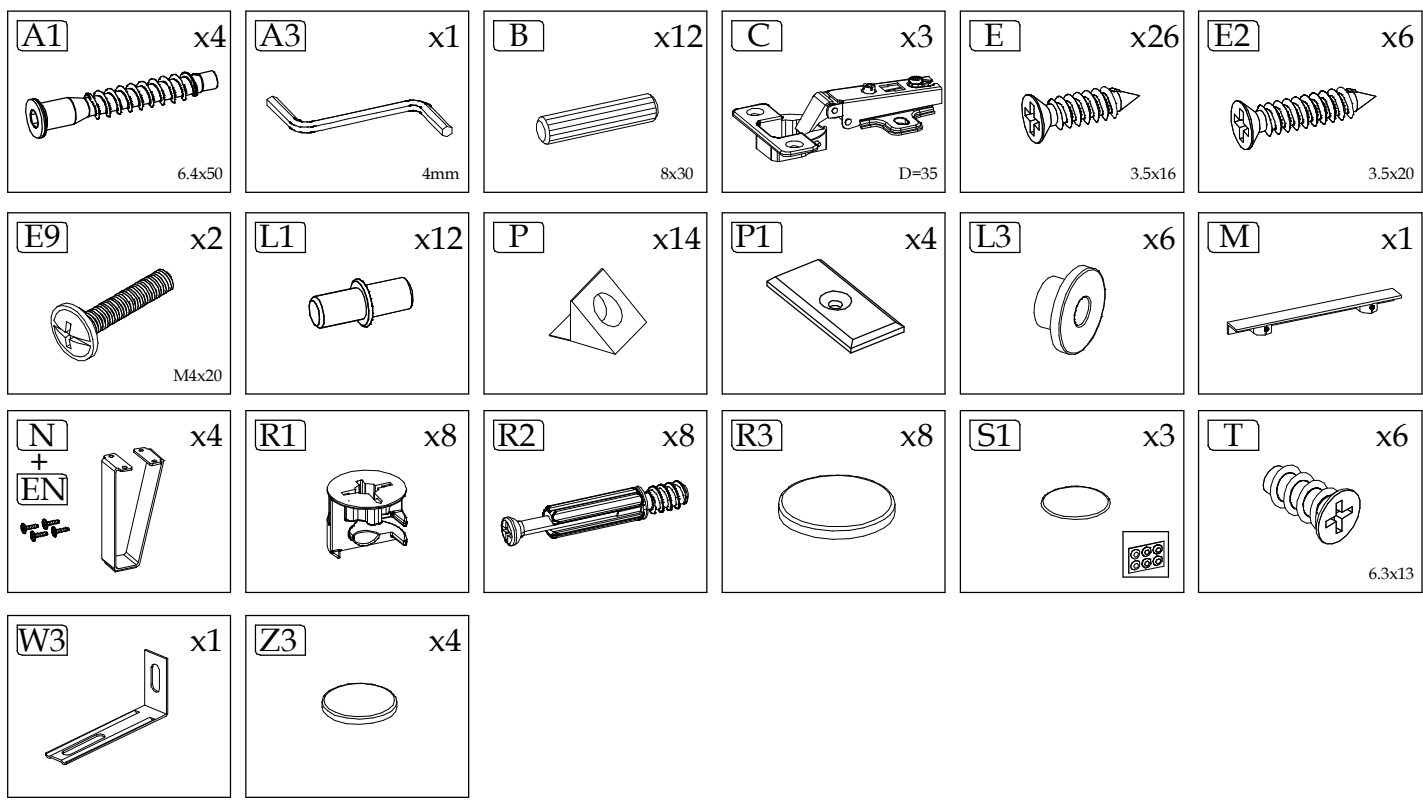
NERO A1



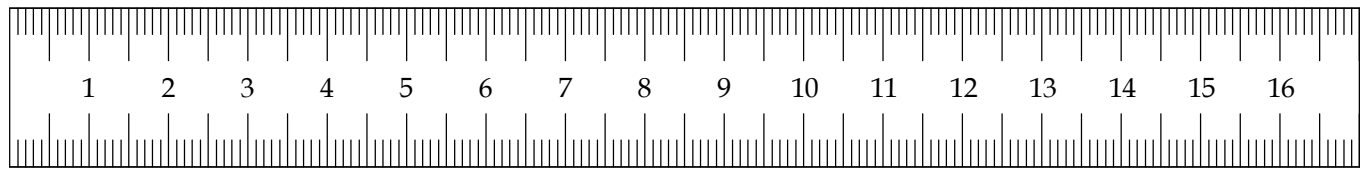
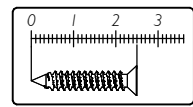
100 min

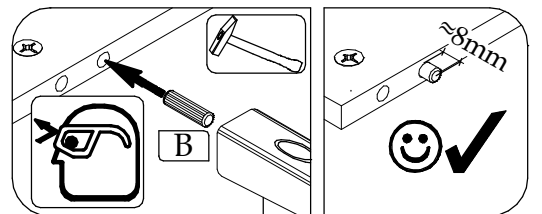
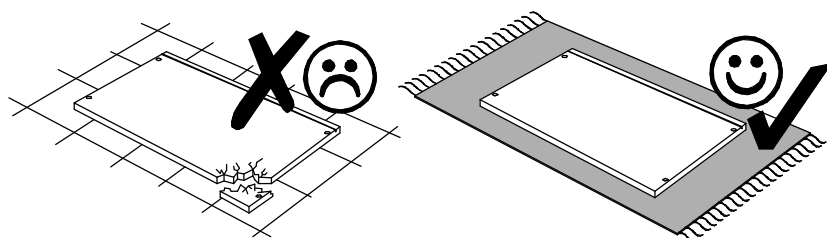
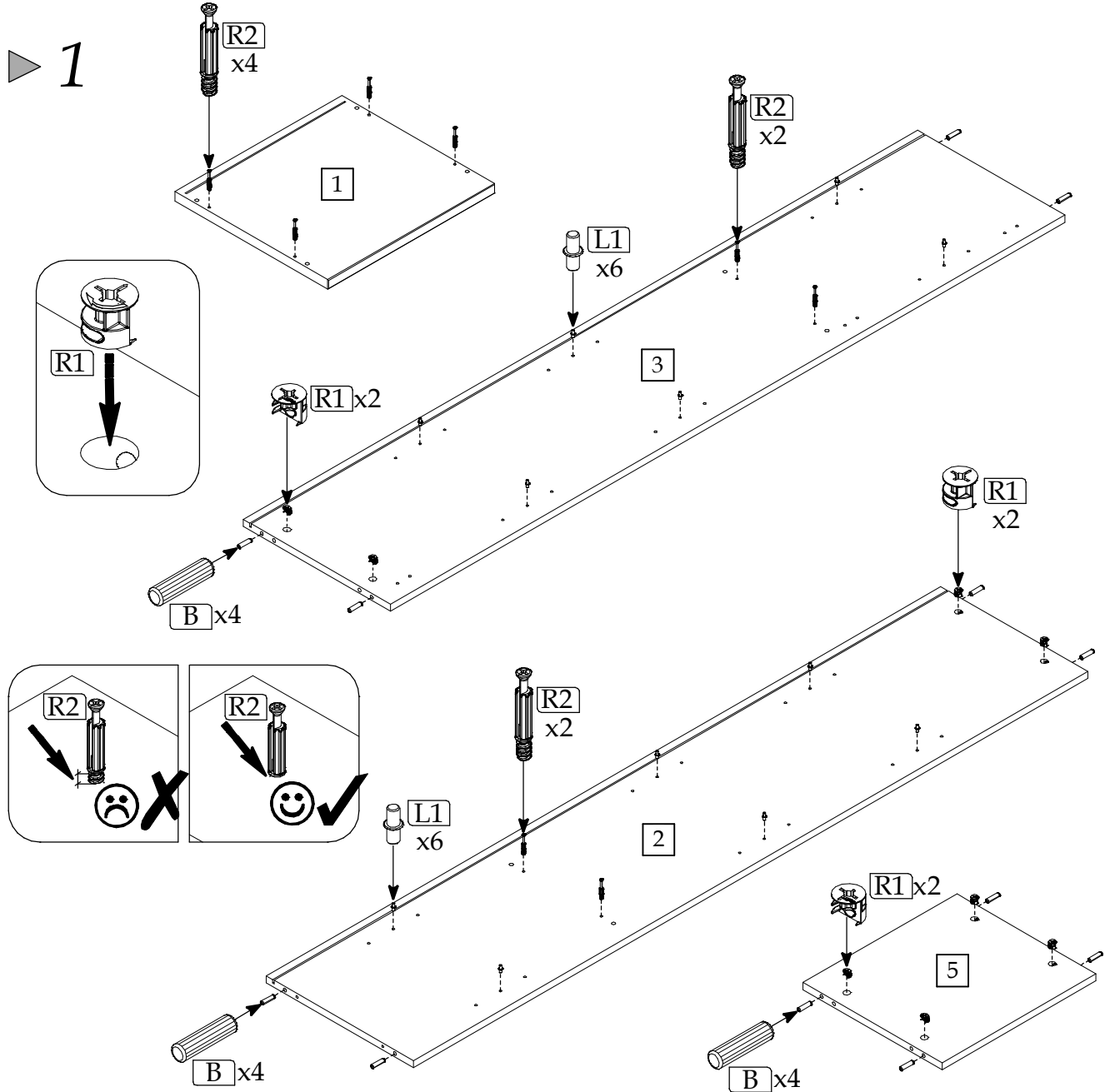
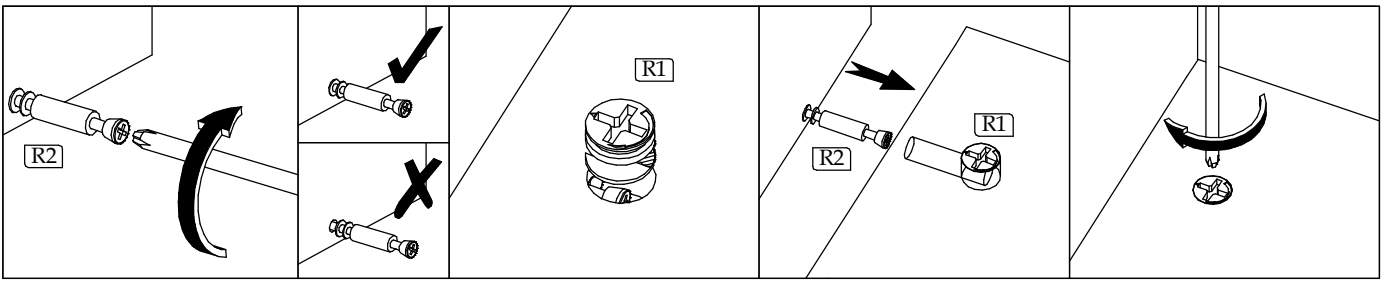




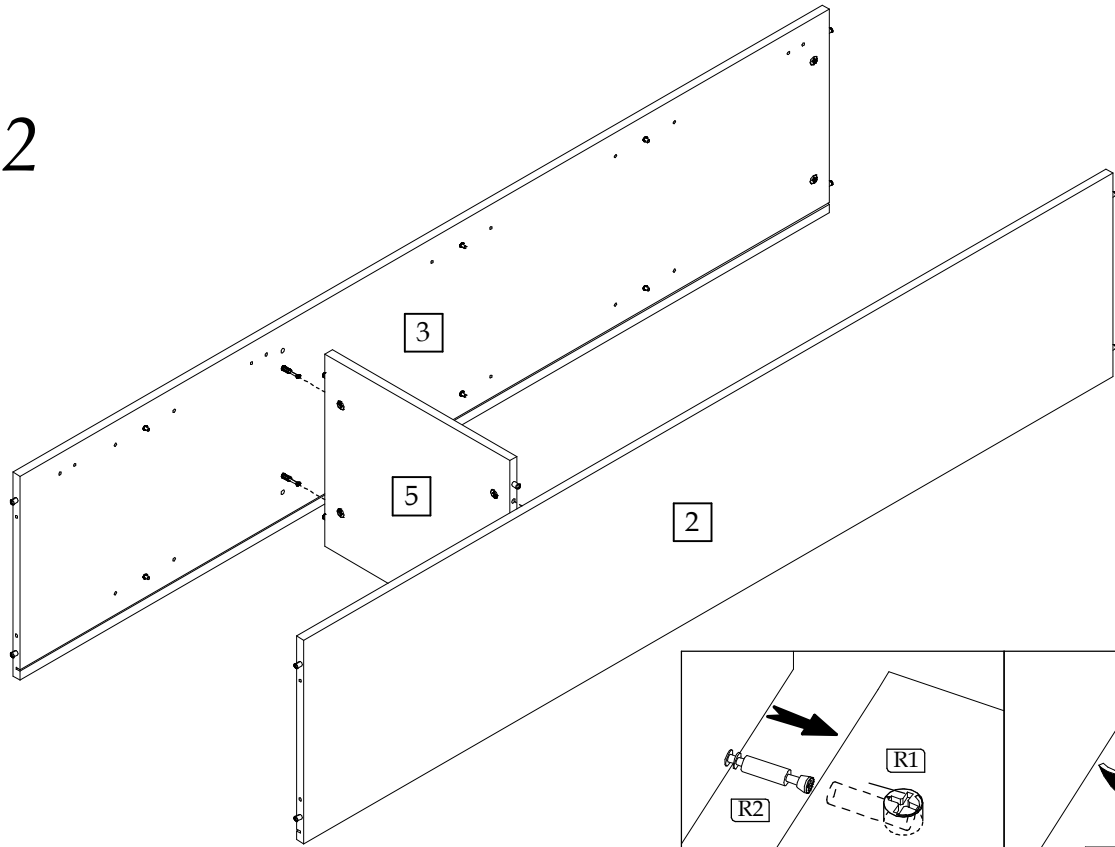


Element symbol	Measurements				Code	Pack
1	436	400	22	1	1004	1/2
2	1762	384	16	1	1001	1/2
3	1762	384	16	1	1002	1/2
4	436	400	16	1	1003_2003	1/2
5	402	363	16	1	1061	1/2
6	402	350	16	3	N/A	1/2
7	1197	416	3	1	N/A	1/2
8	578	416	3	1	N/A	1/2
9	432	142	16	1	1001_3001	1/2
10	619	432	16	1	1002_3002	1/2
11	1068	398	4	1	Glass	2/2

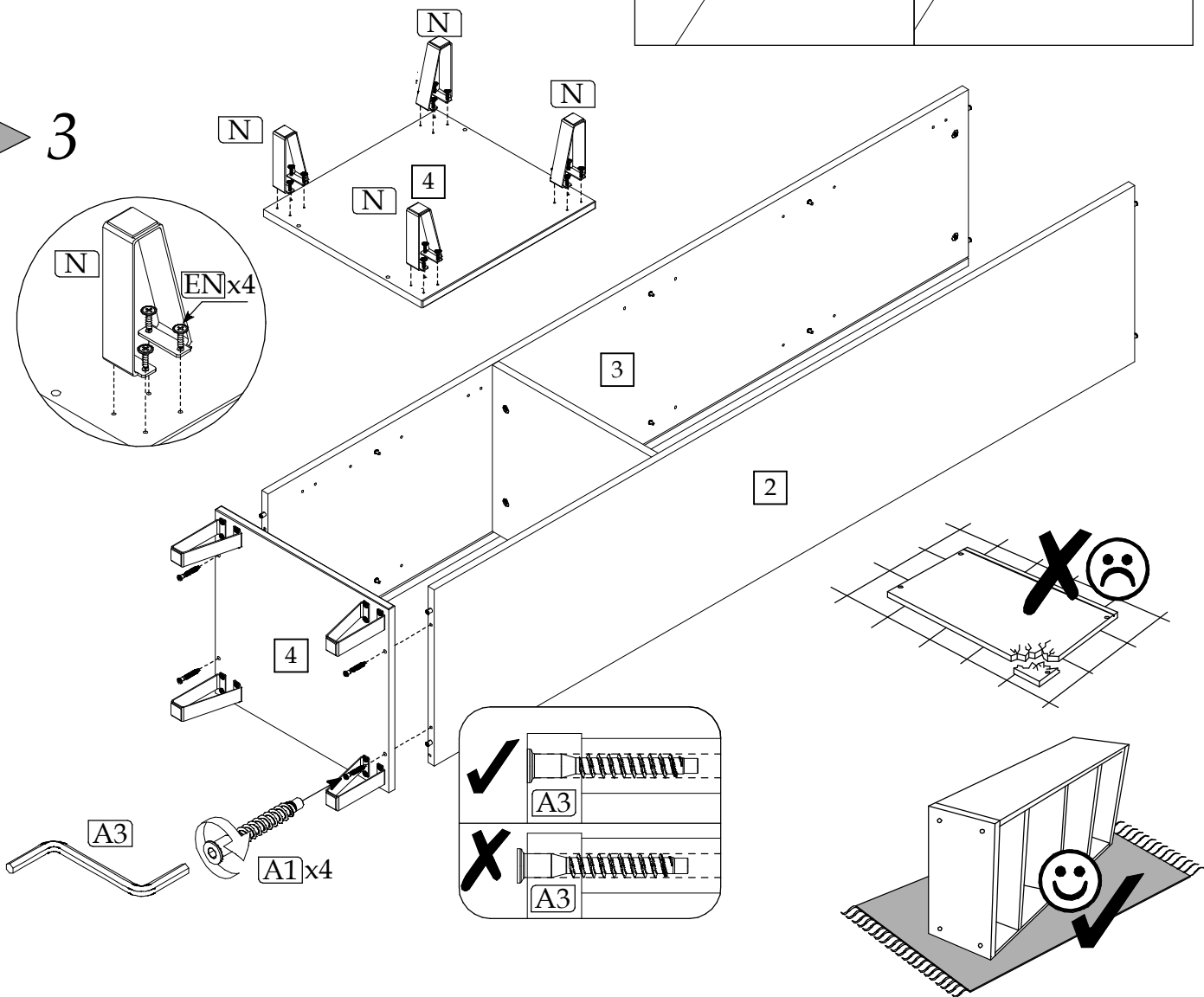


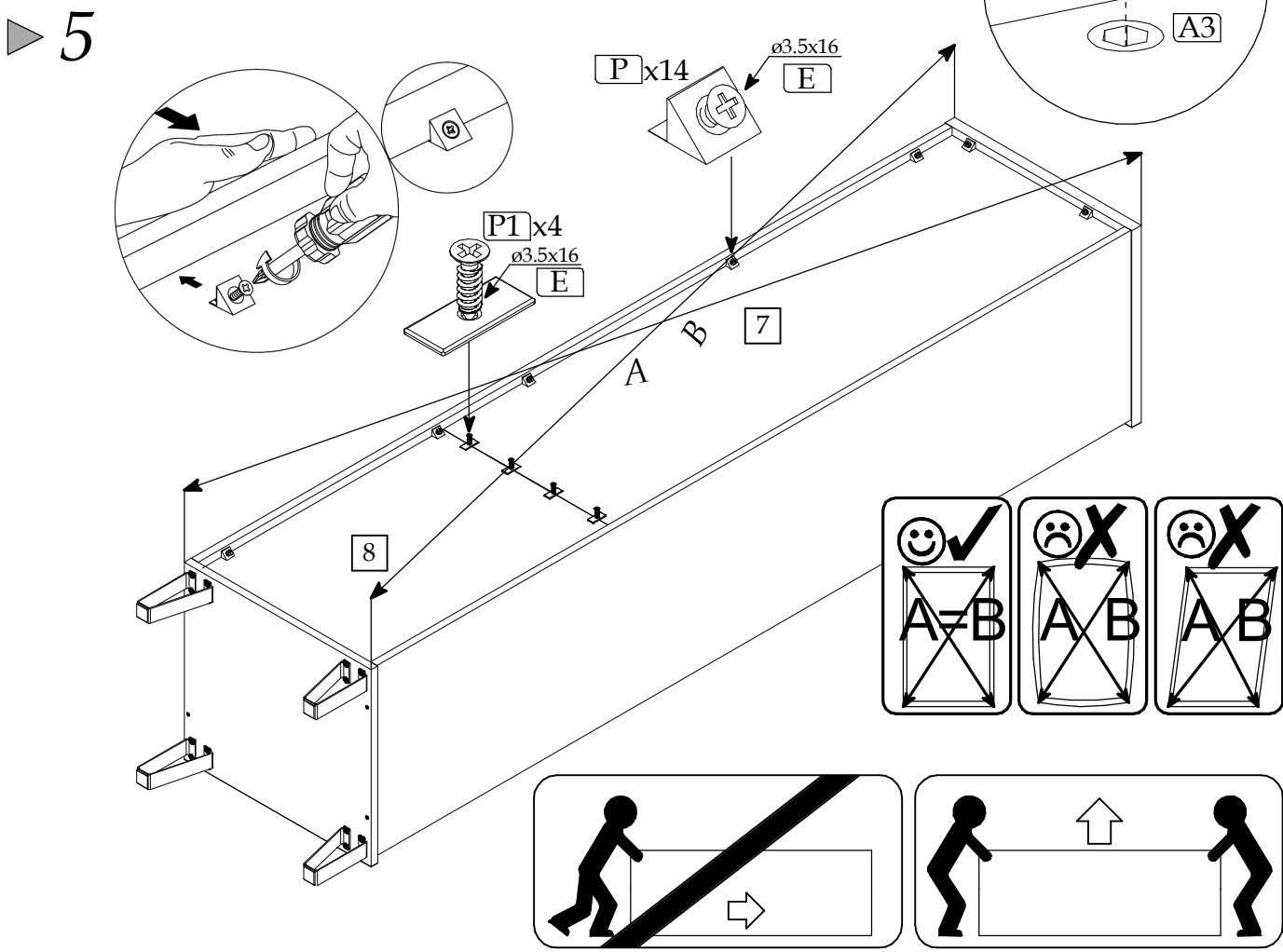
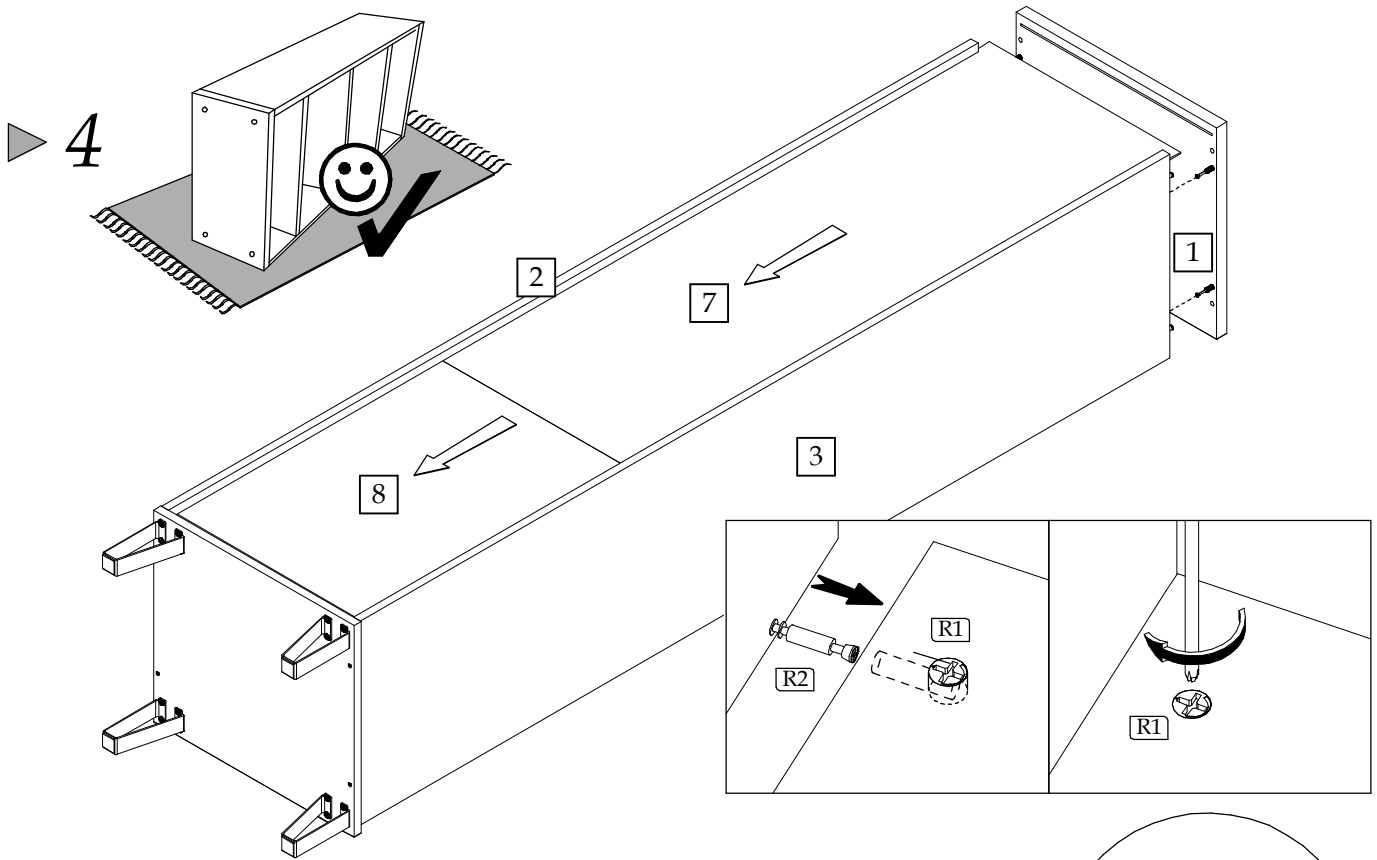


▶ 2

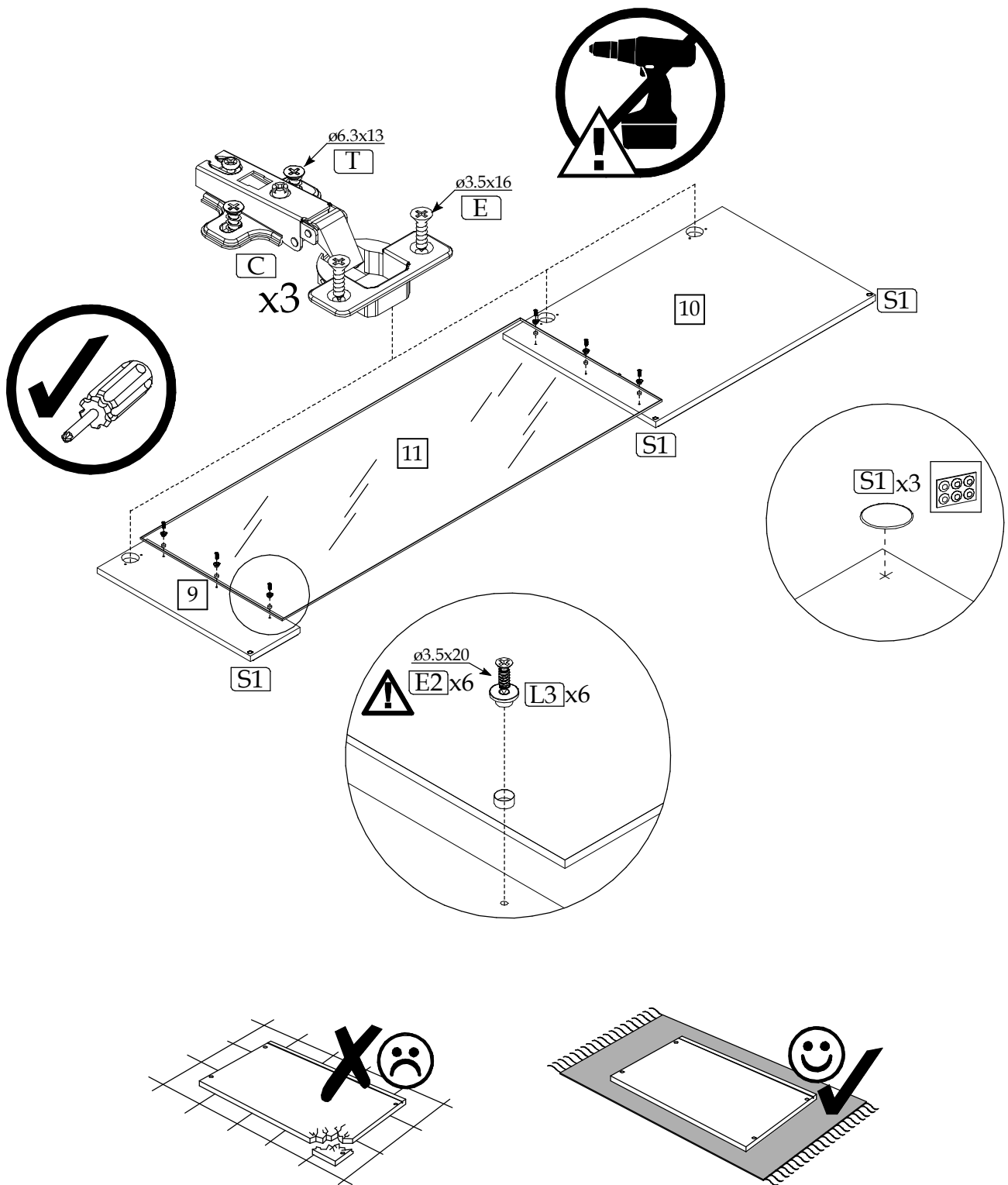


▶ 3

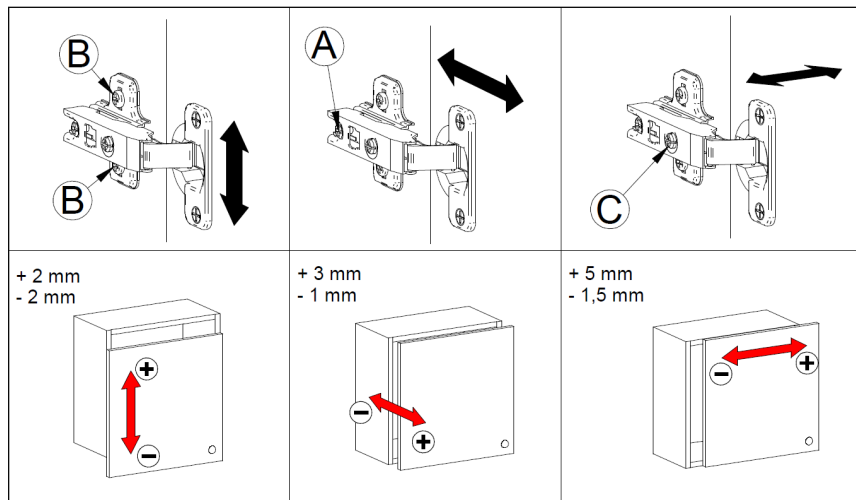
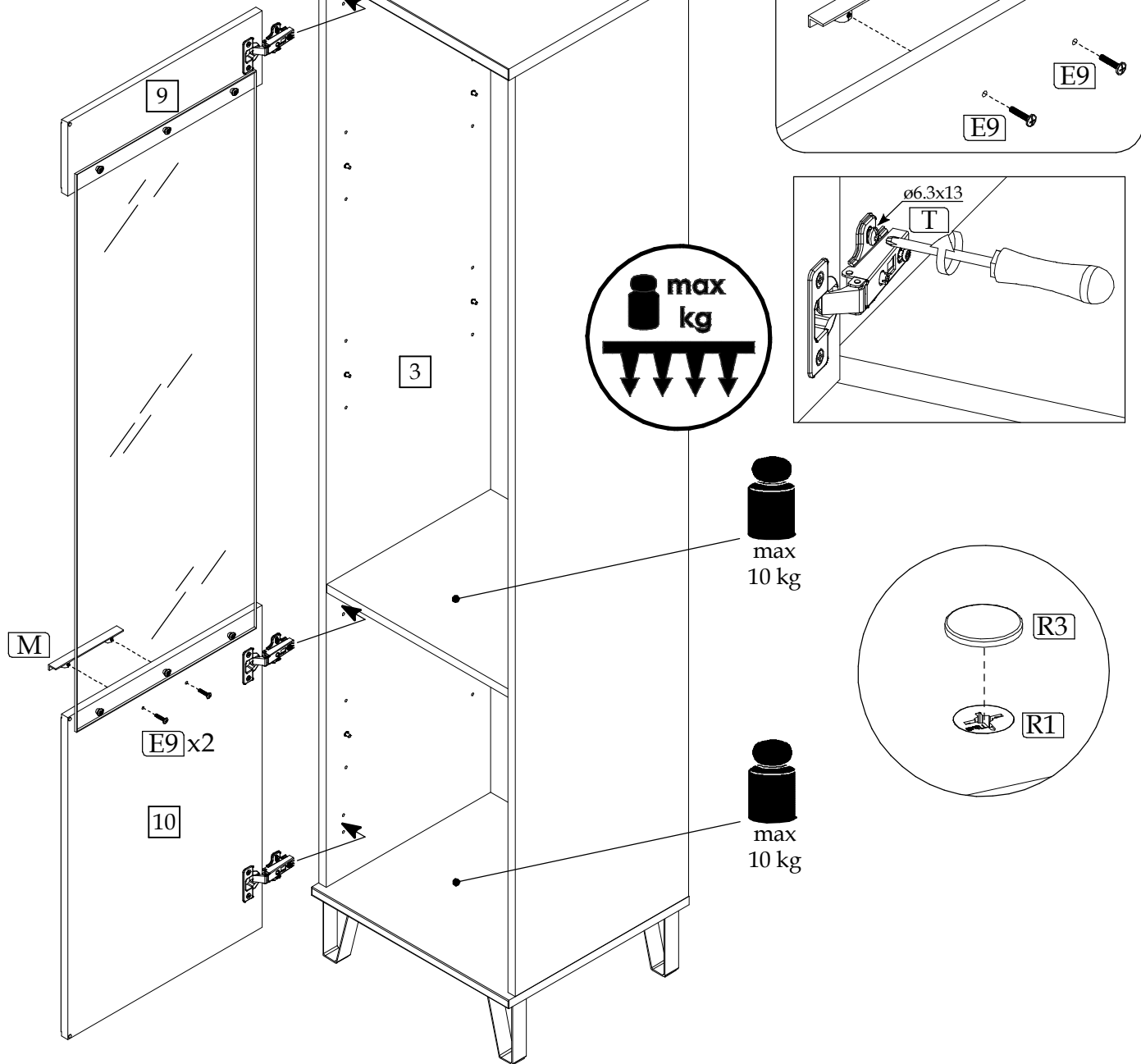




▶ 6



▶ 7



▶ 8

