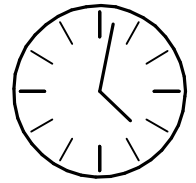
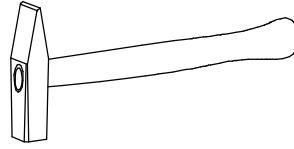
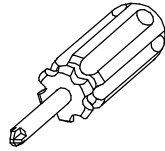
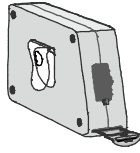
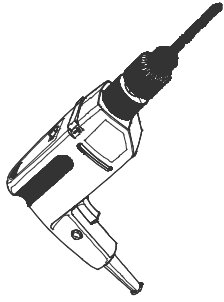
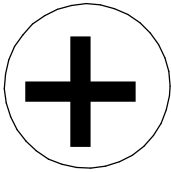
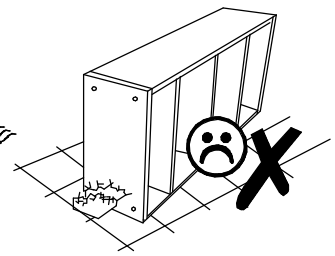
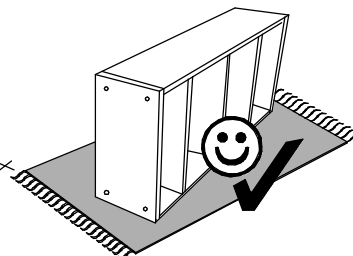
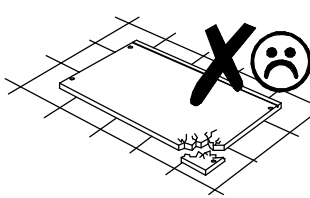
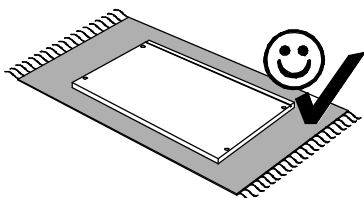
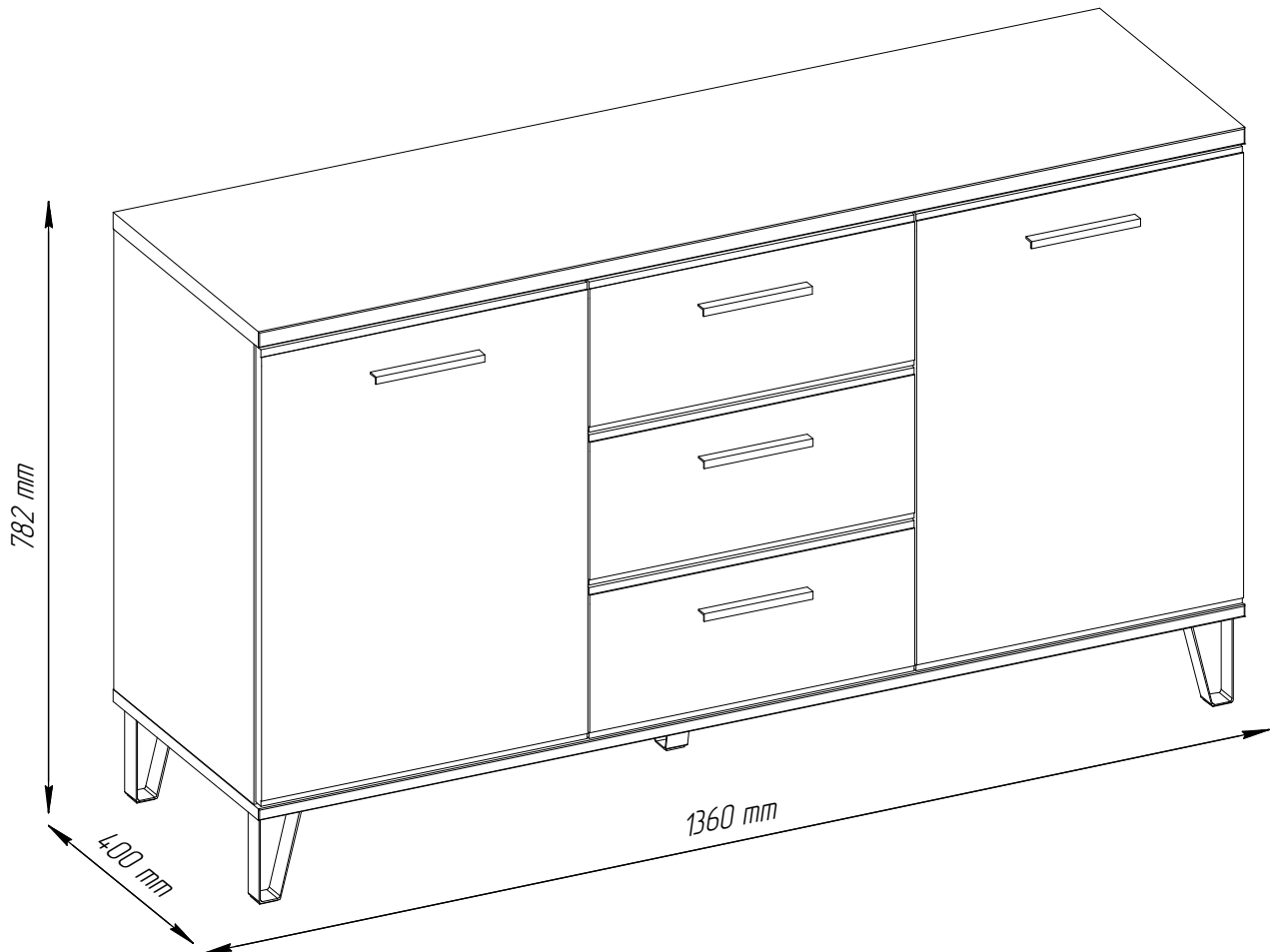
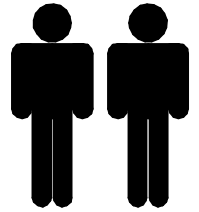
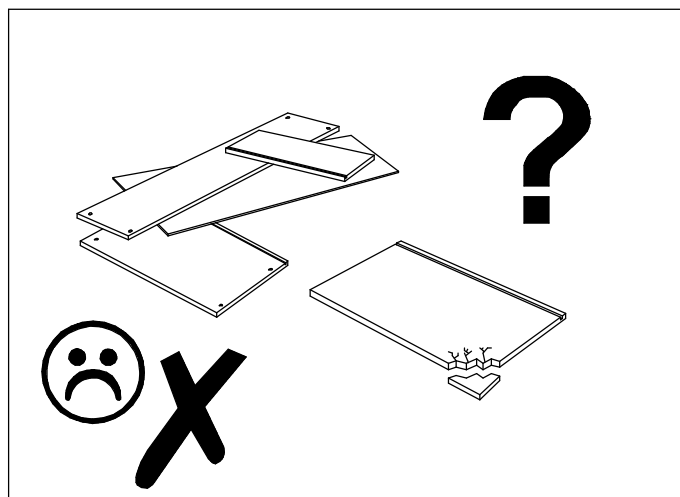
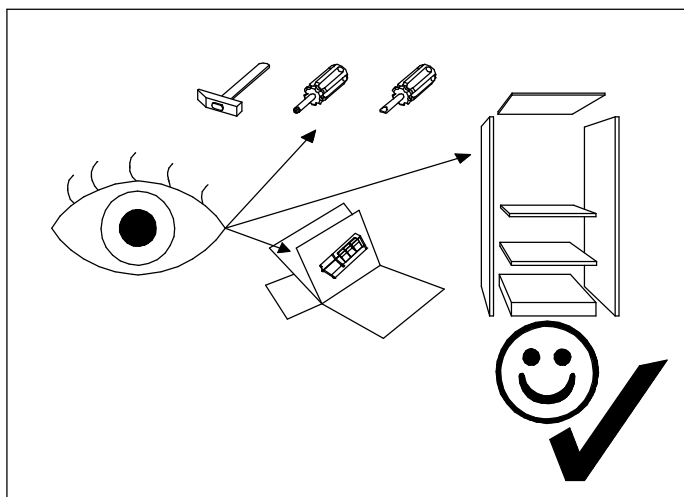
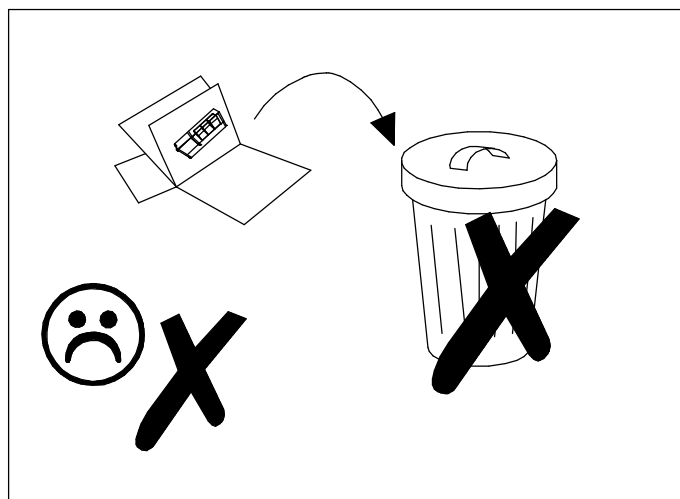
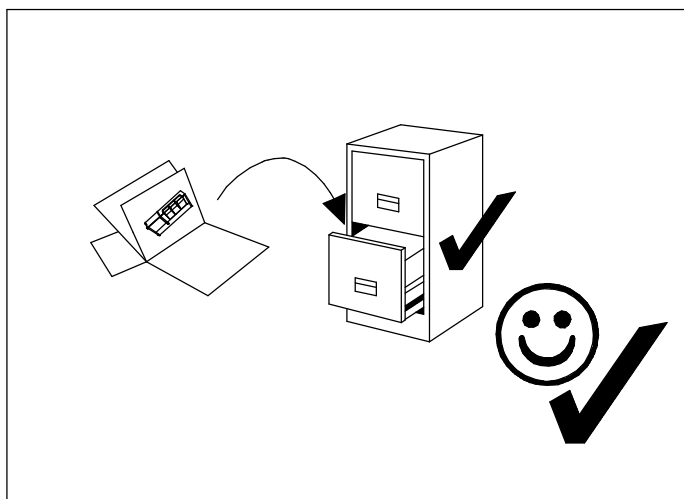
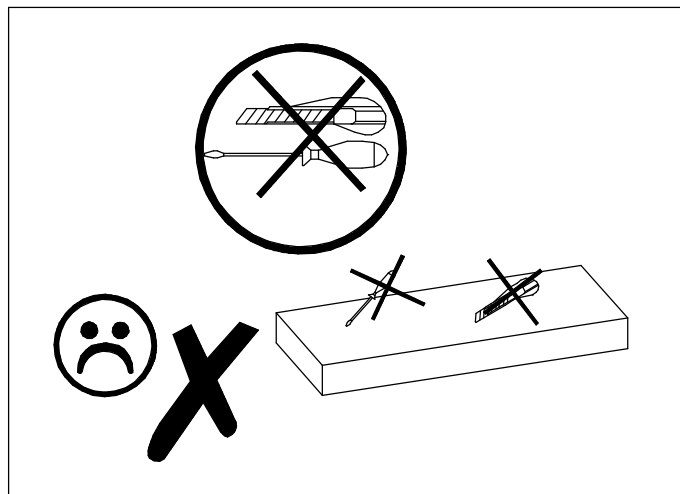
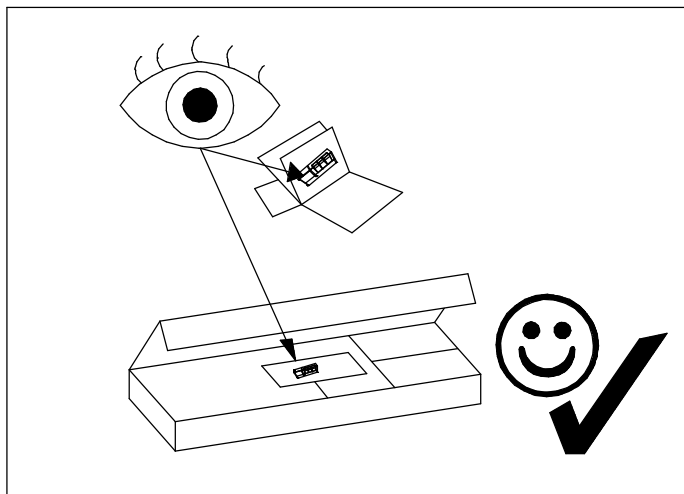


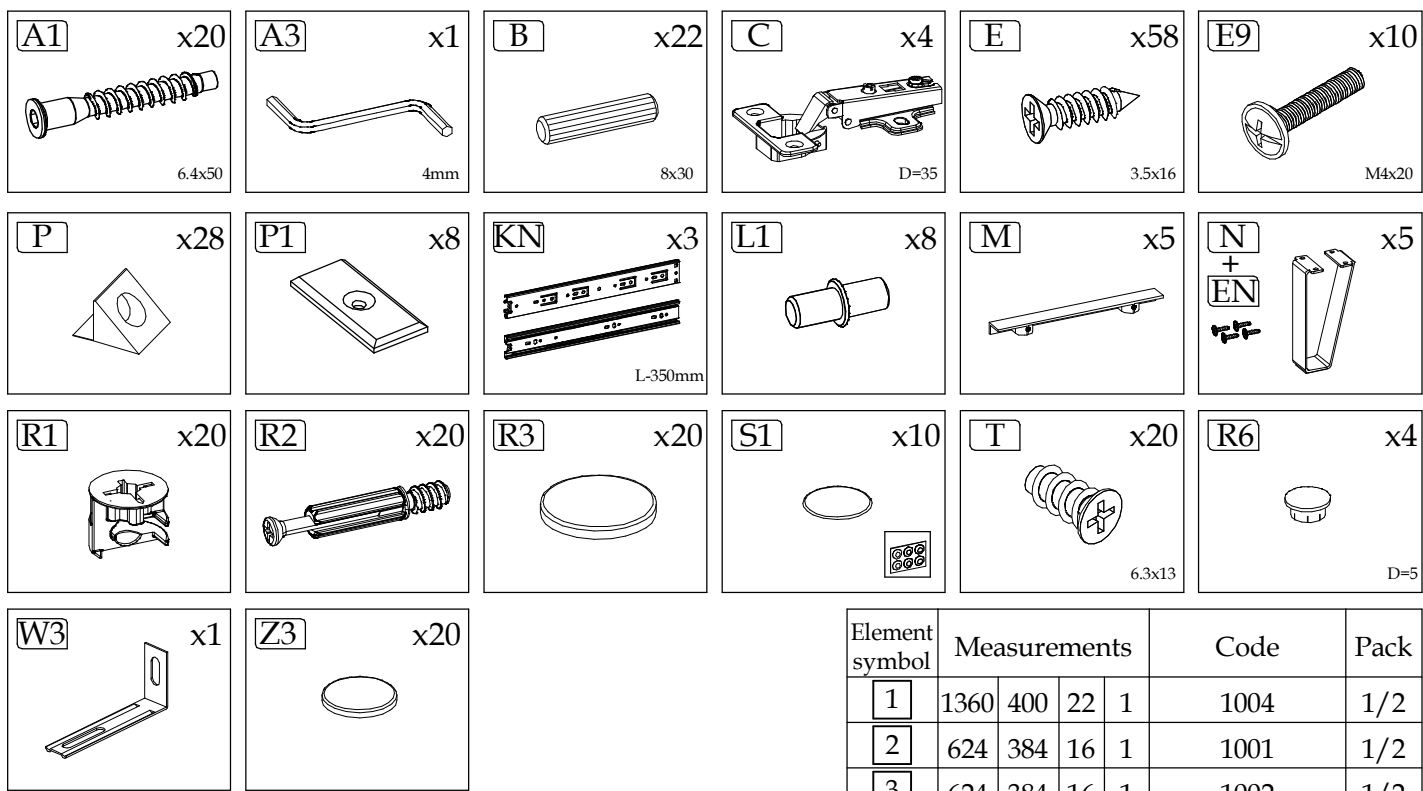
NERO E



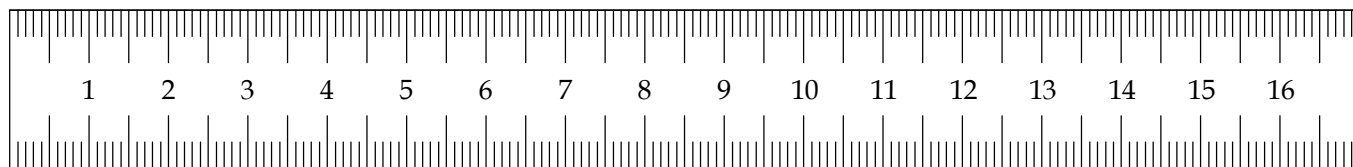
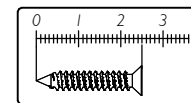
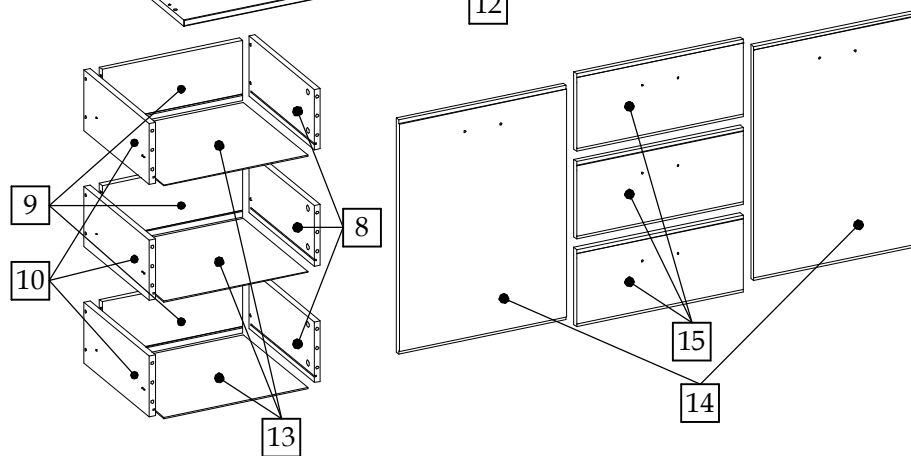
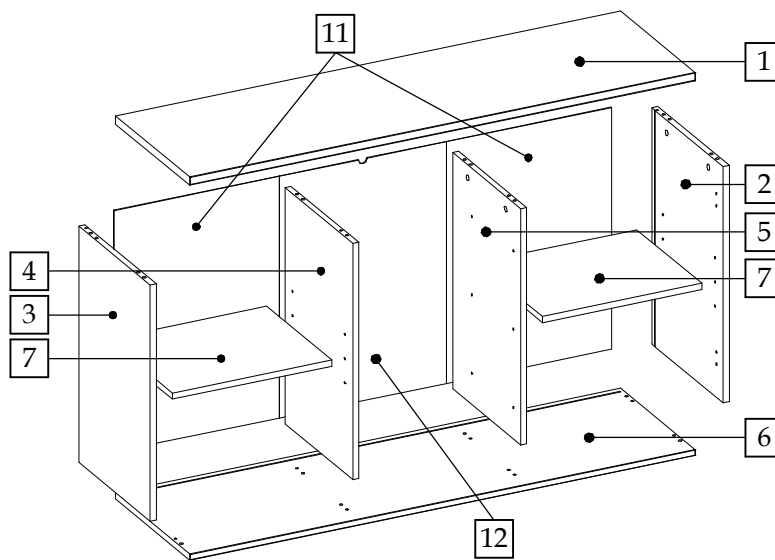
120 min

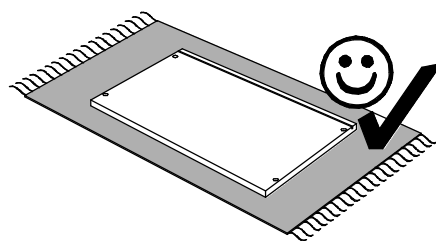
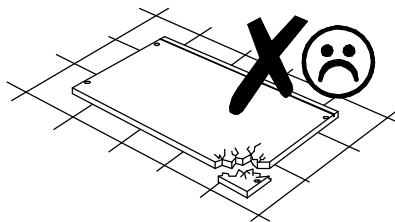
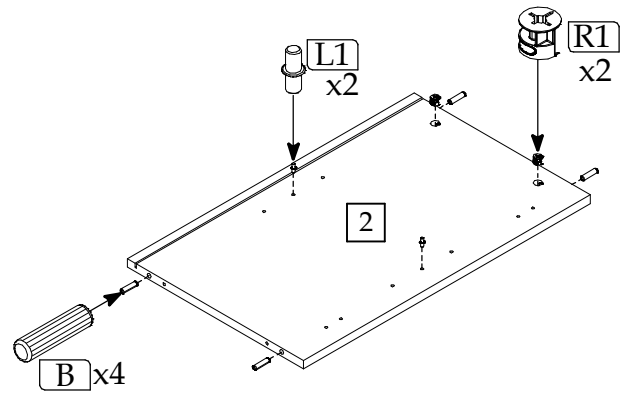
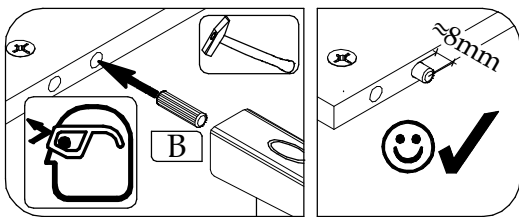
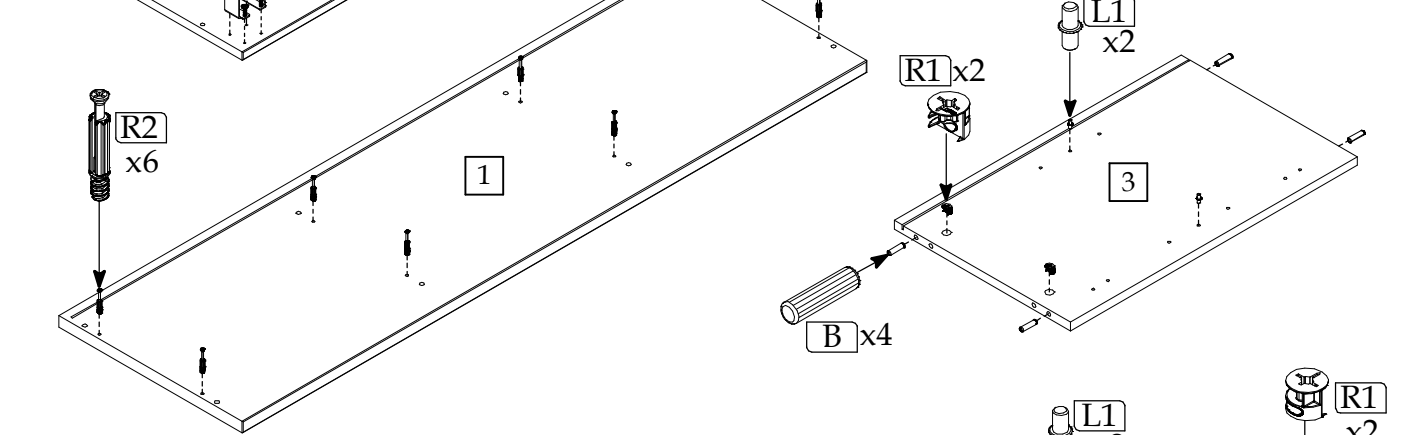
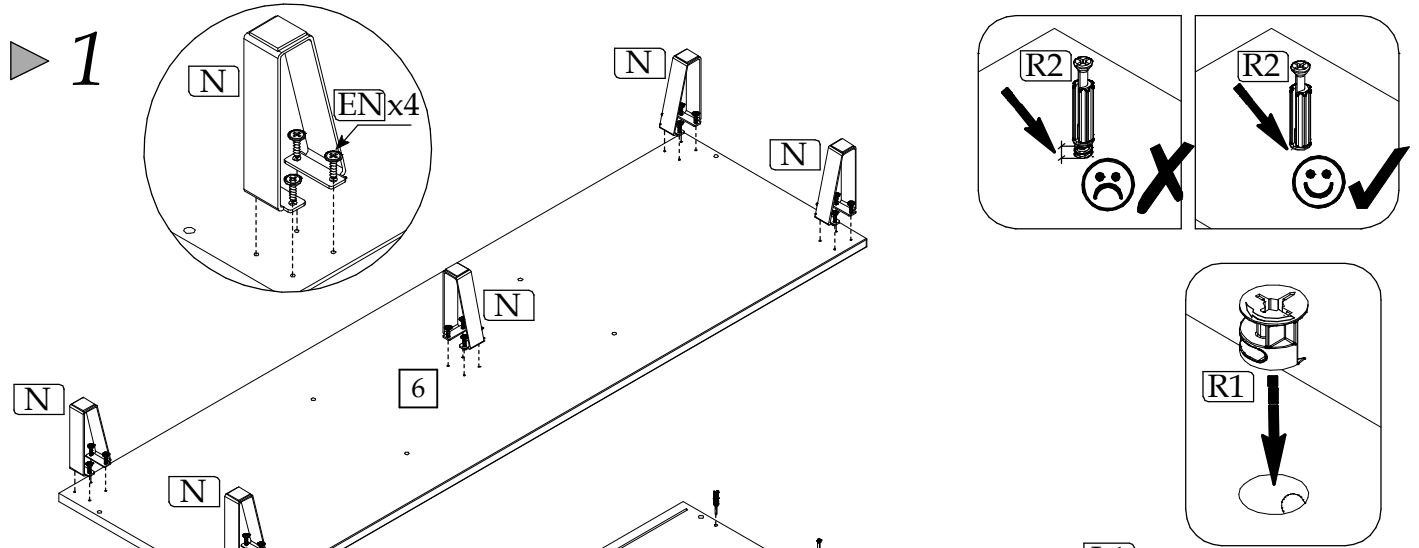
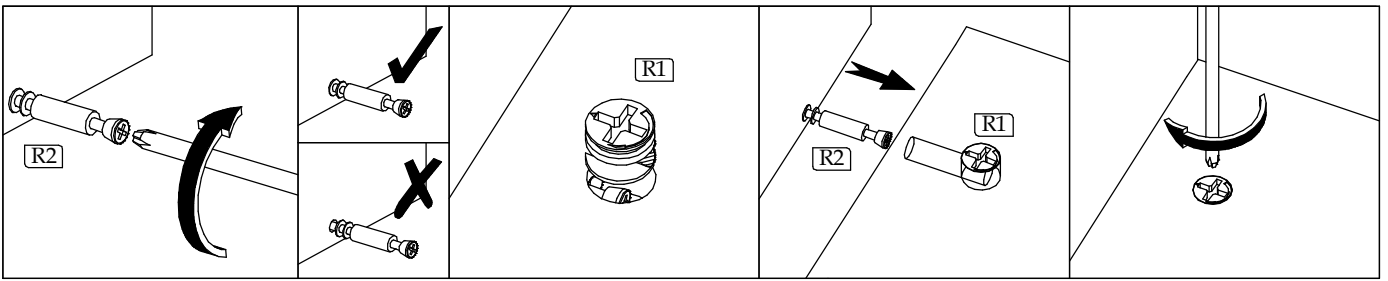




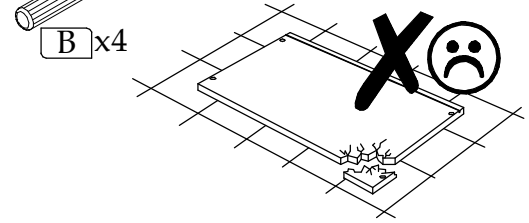
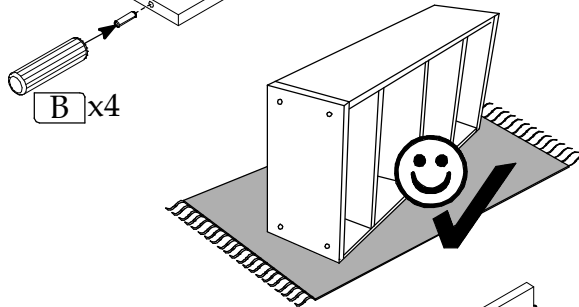
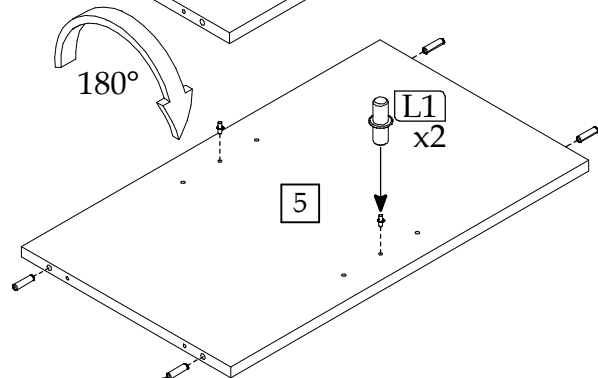
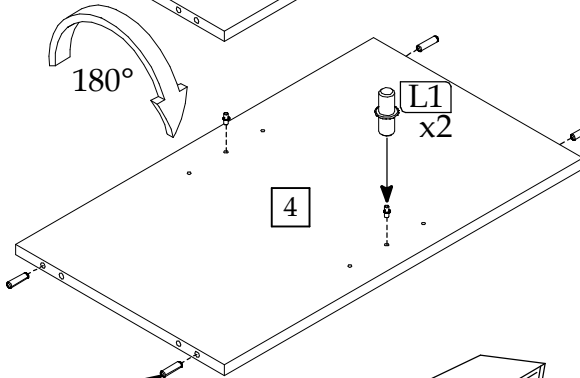
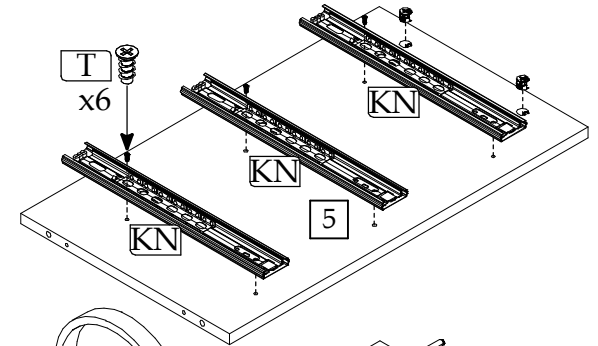
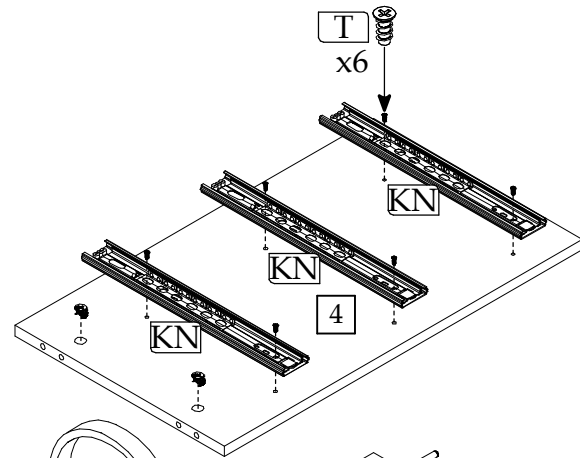
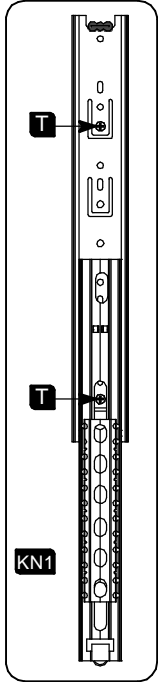
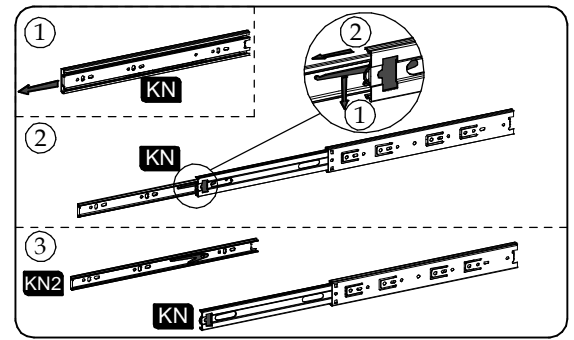
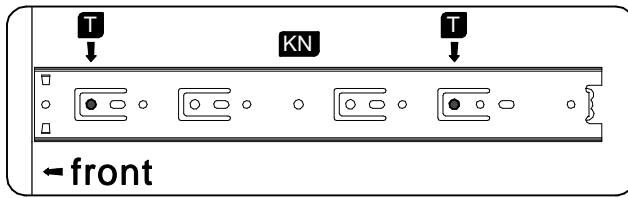


Element symbol	Measurements				Code	Pack
	1	2	3	4		
1	1360	400	22	1	1004	1/2
2	624	384	16	1	1001	1/2
3	624	384	16	1	1002	1/2
4	624	364	16	1	1067_2067	1/2
5	624	364	16	1	1075_2075	1/2
6	1360	400	16	1	1003_2003	1/2
7	429	350	16	2	N/A	1/2
8	350	160	16	1	1034-1038-1043	1/2
9	377	159	16	1	1035-1039-1044	1/2
10	350	160	16	1	1029-1040-1045	1/2
11	638	444	3	2	N/A	2/2
12	638	450	3	1	1060_v	2/2
13	387	344	3	3	N/A	1/2
14	620	452	16	2	3001_3002	2/2
15	450	206	16	3	3003_3005	2/2

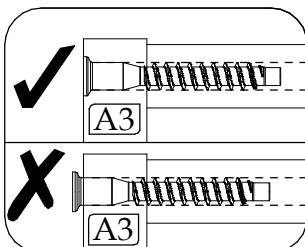
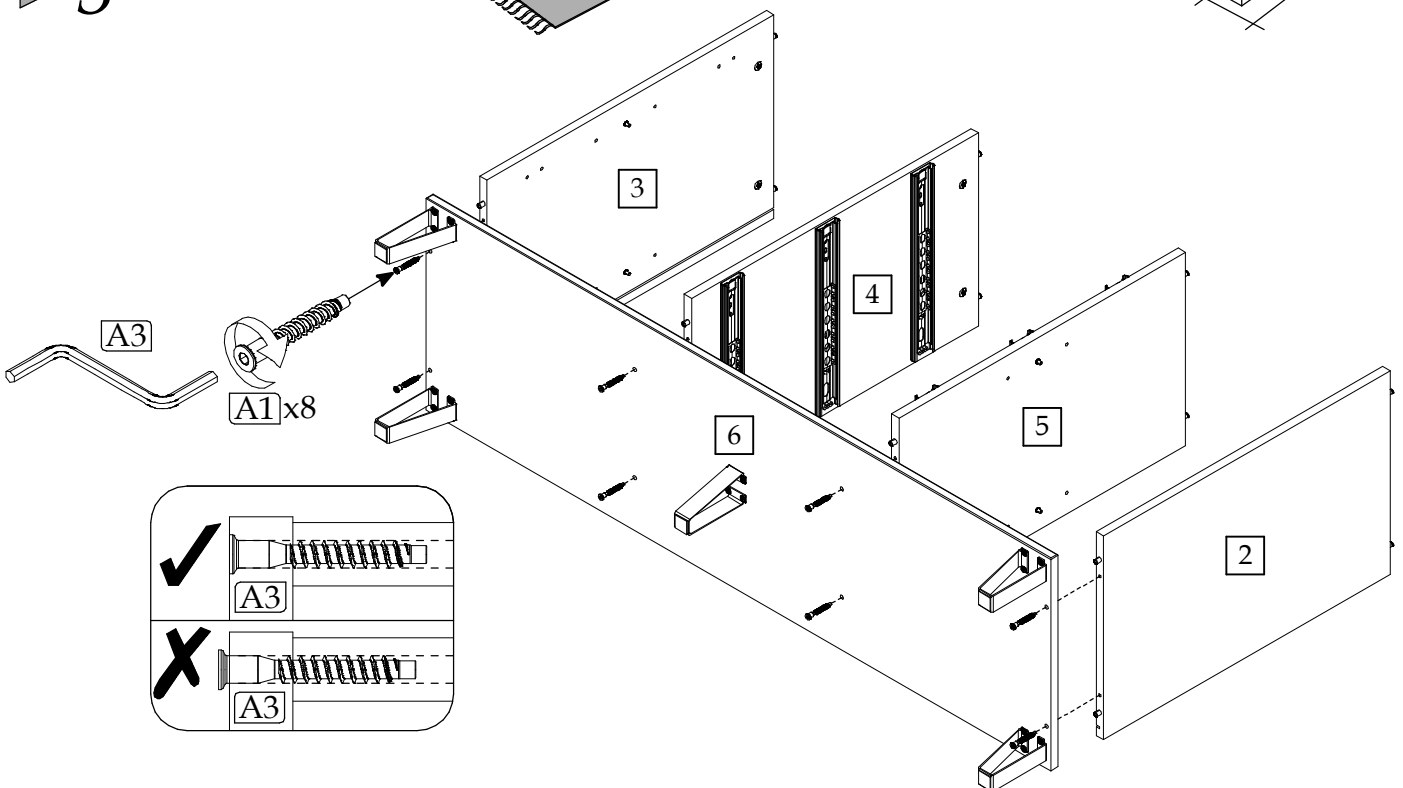




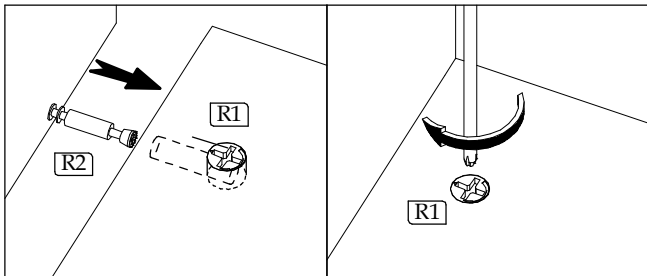
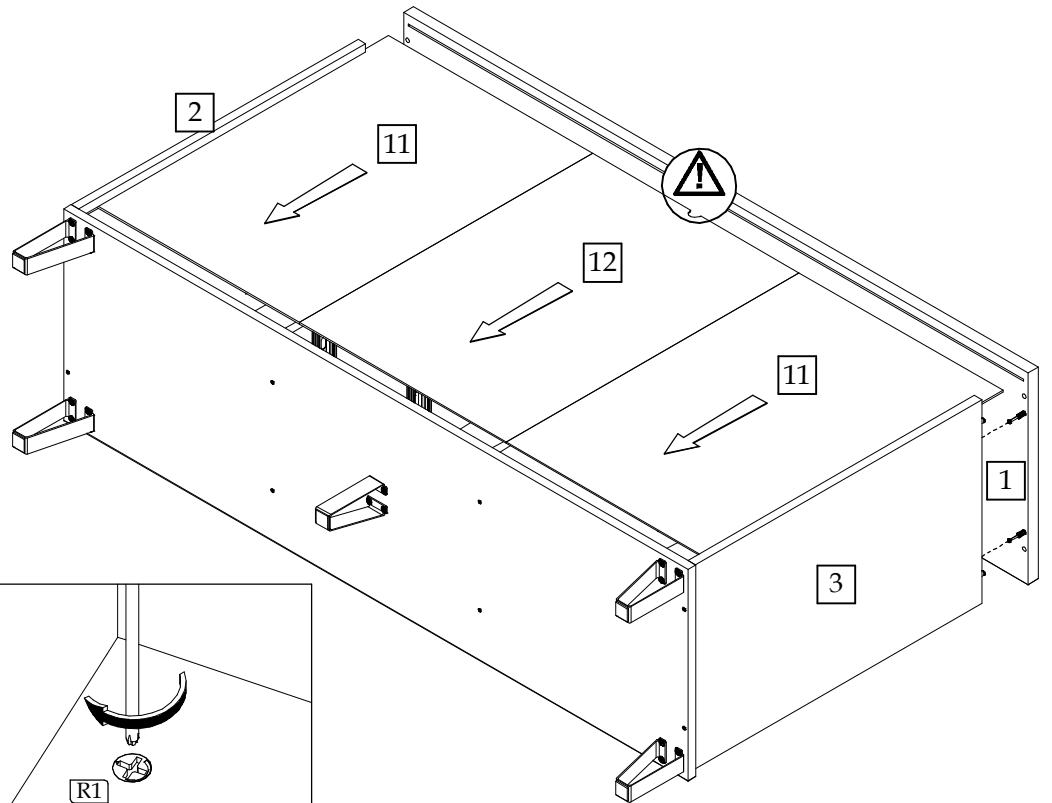
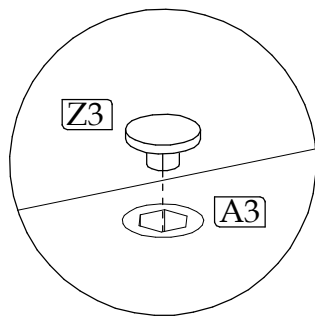
▶ 2



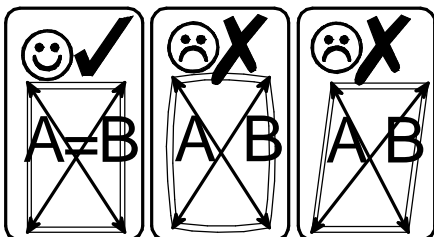
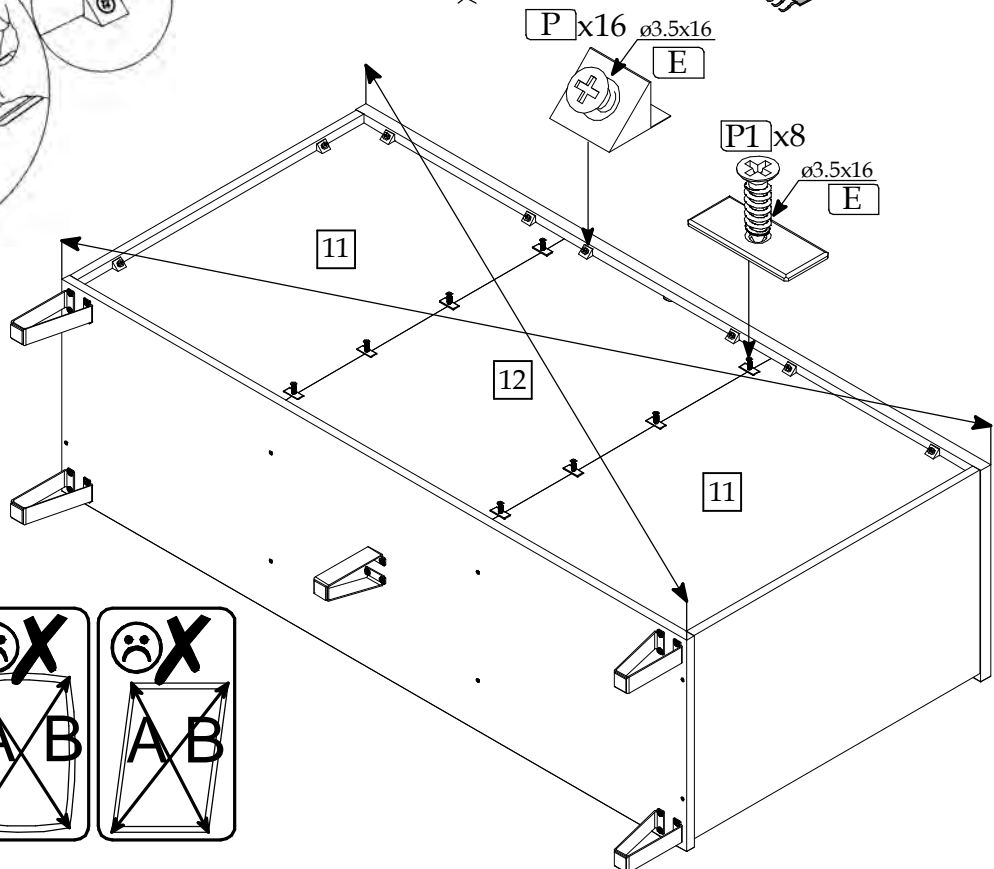
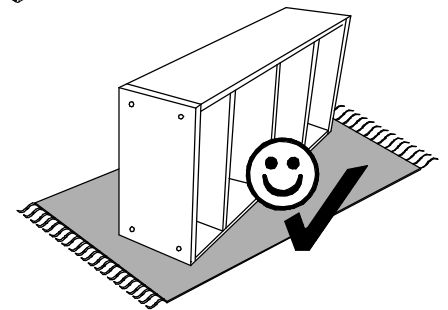
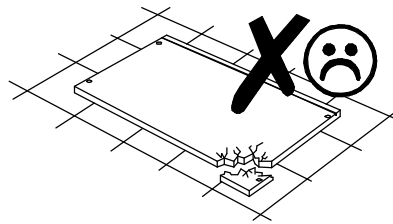
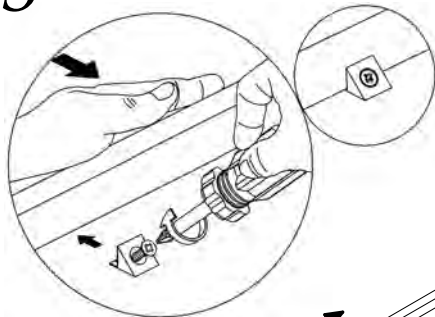
▶ 3



▶ 4

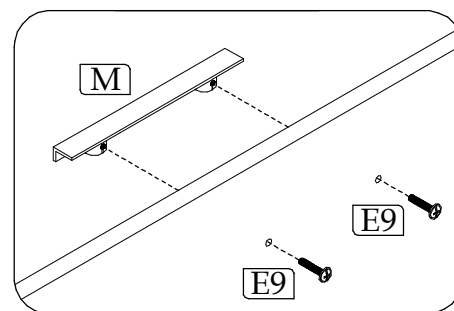
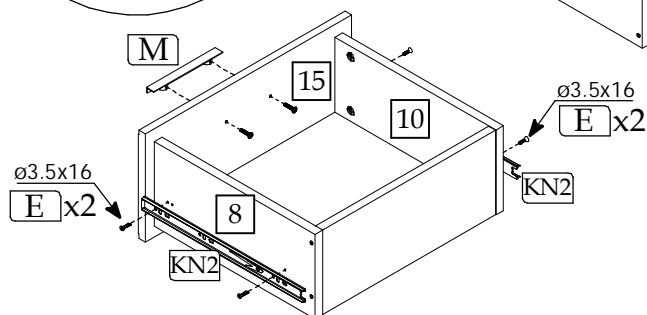
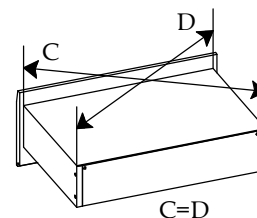
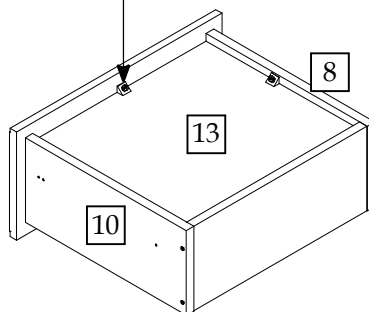
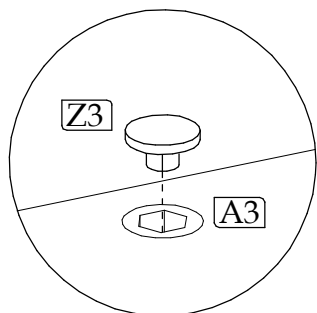
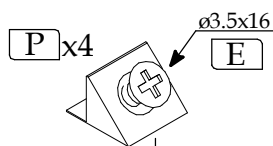
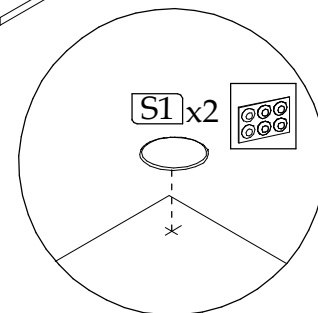
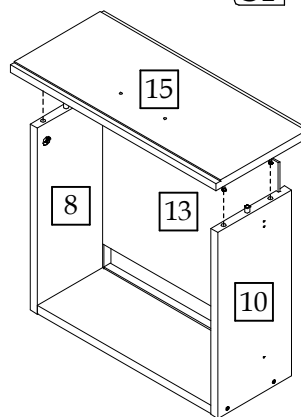
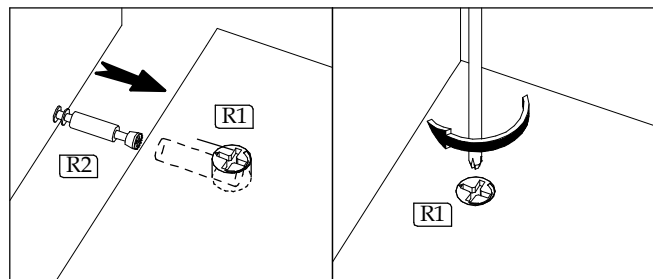
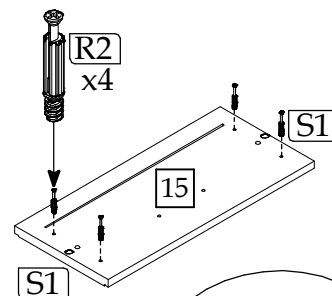
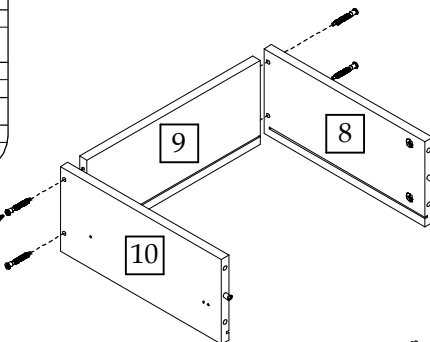
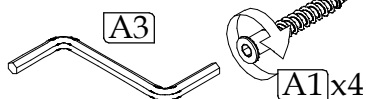
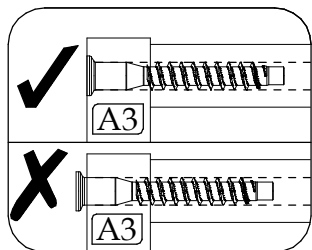
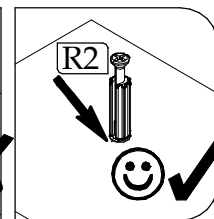
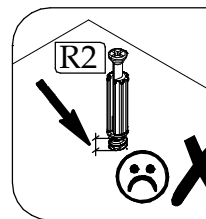
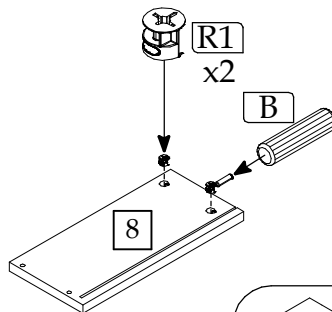
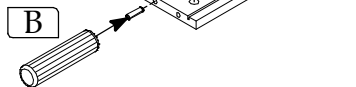
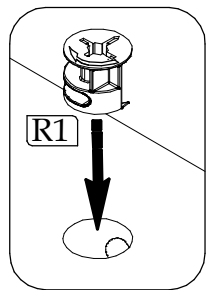


▶ 5

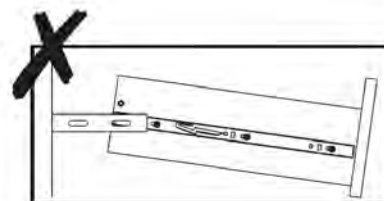
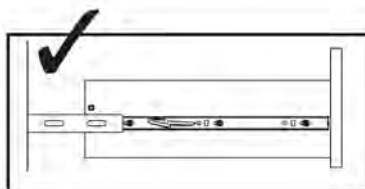
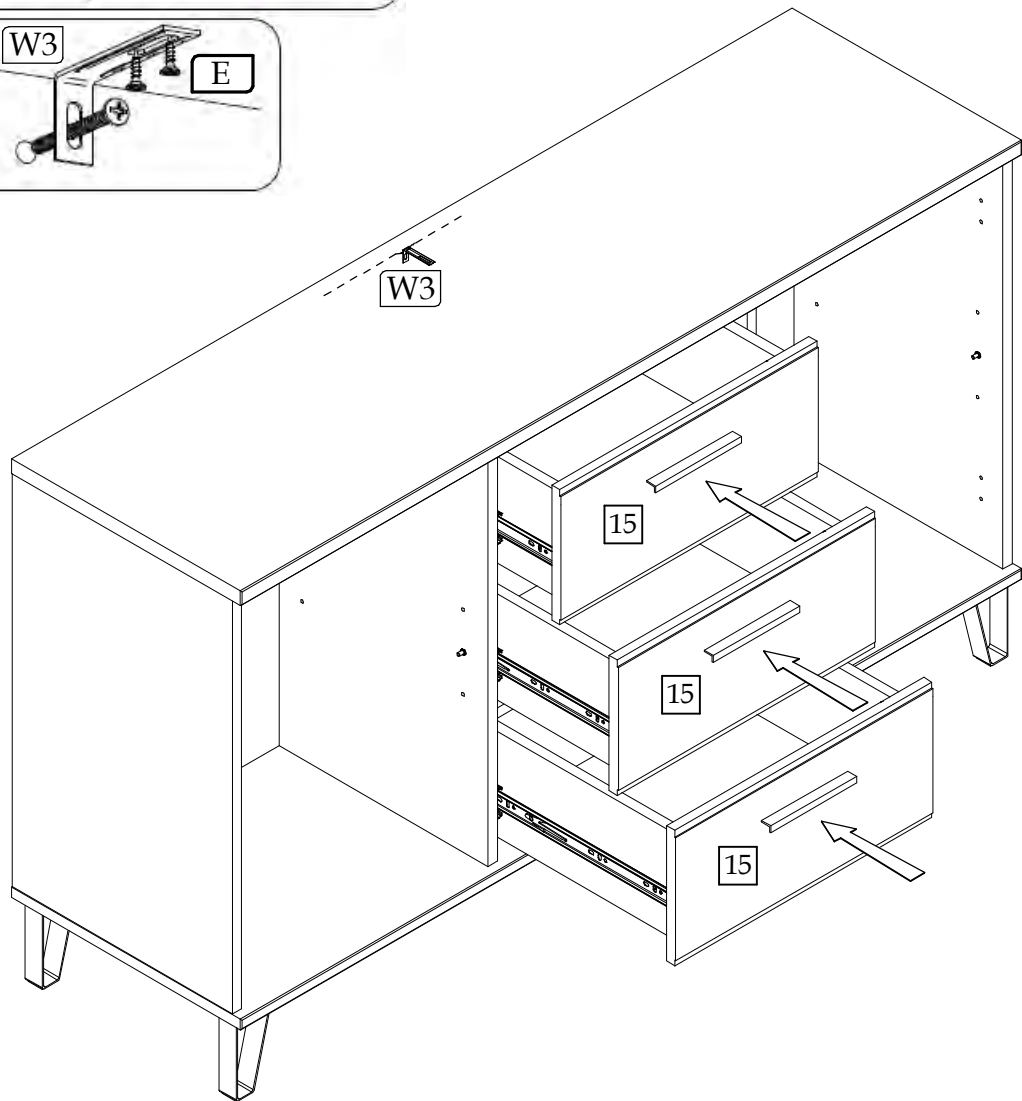
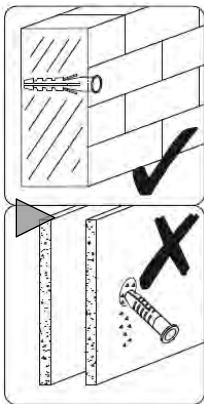
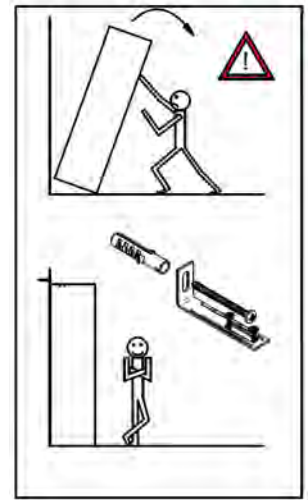
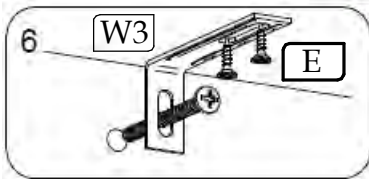
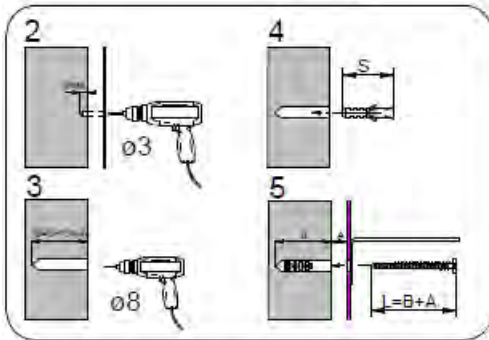
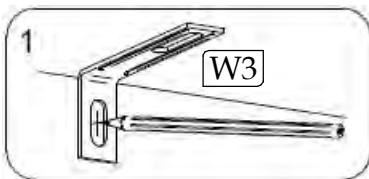


x3

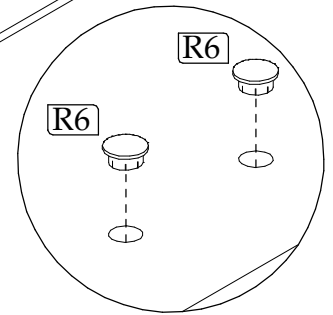
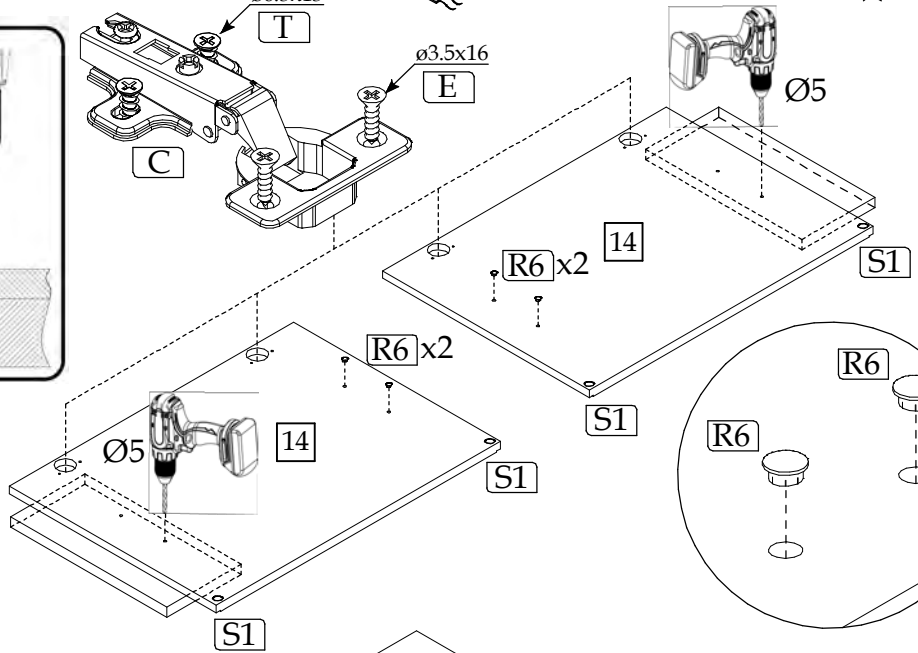
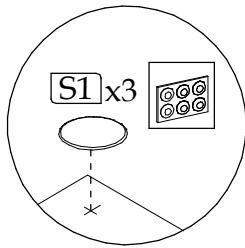
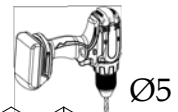
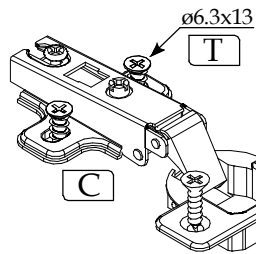
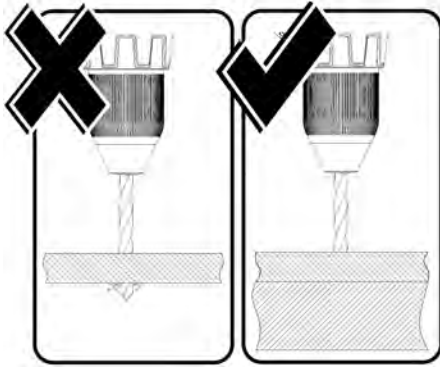
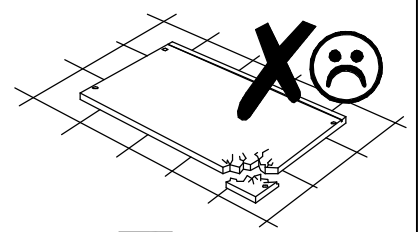
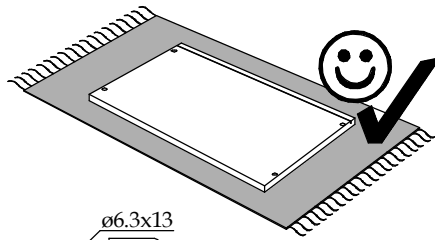
▶ 6



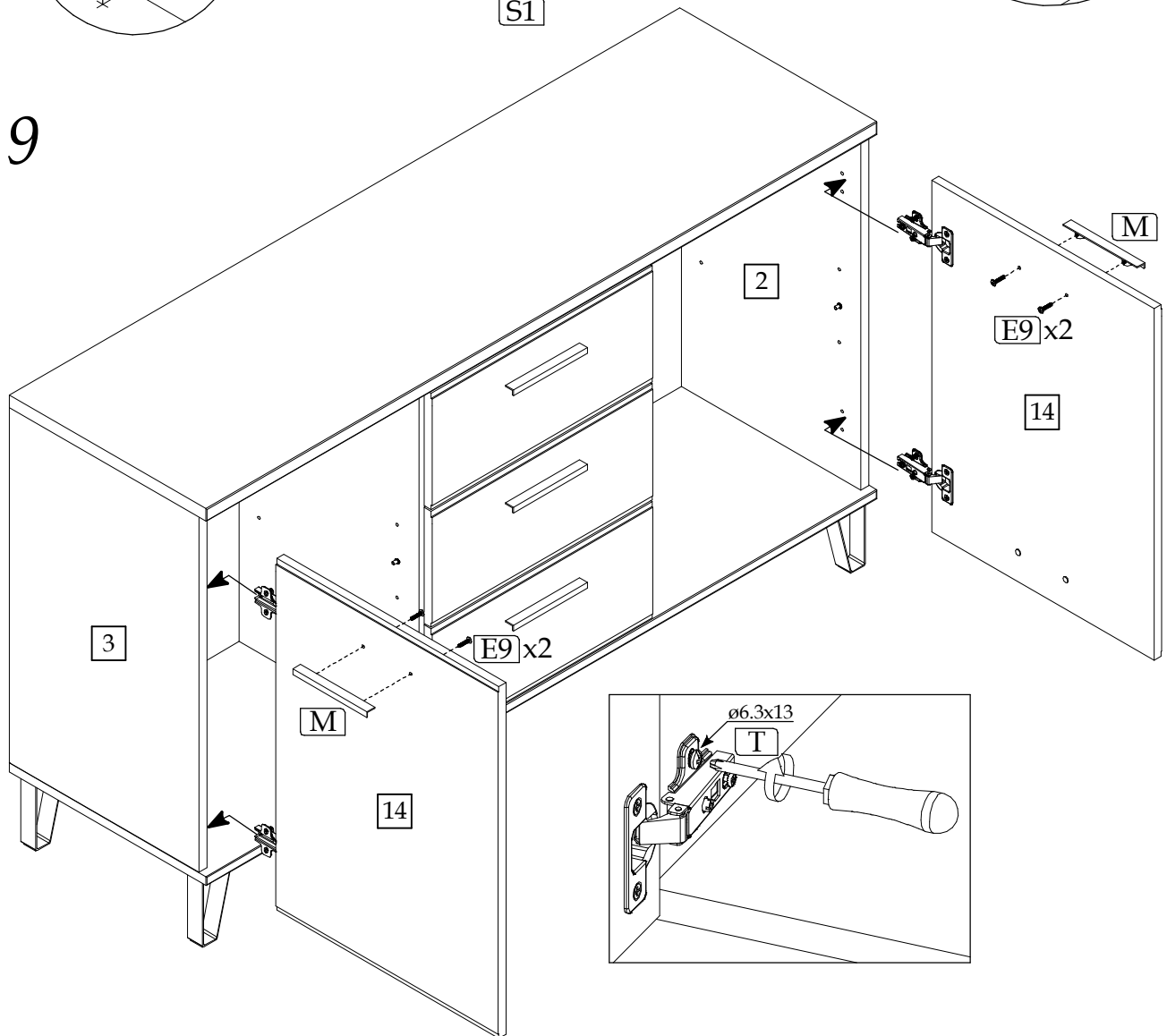
▶ 7



▶ 8



▶ 9



▶ 10

