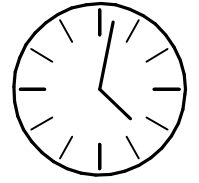
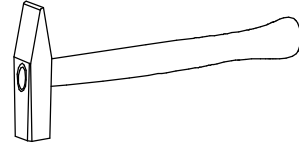
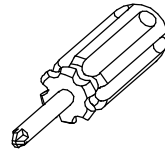
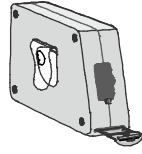
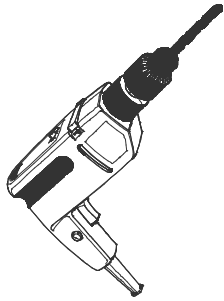
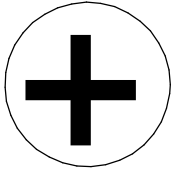
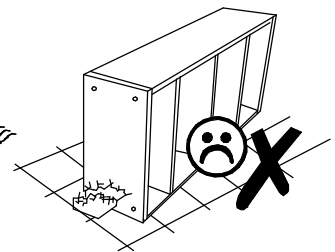
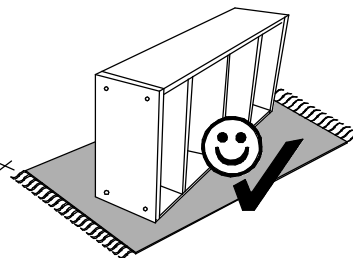
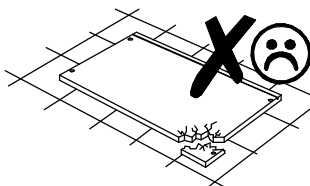
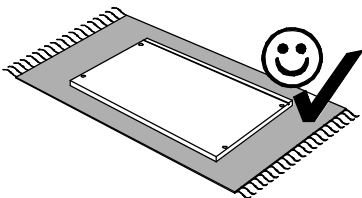
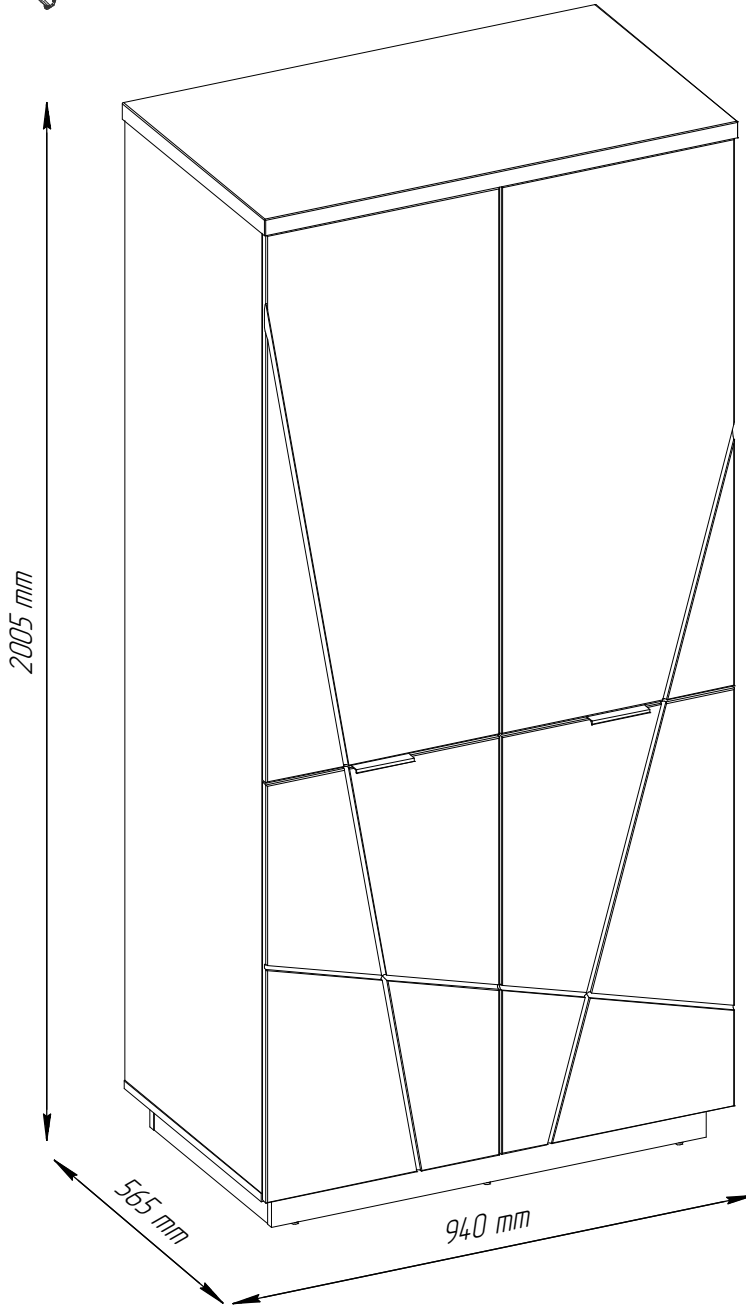
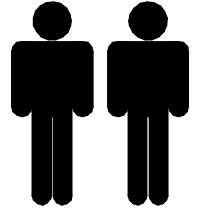
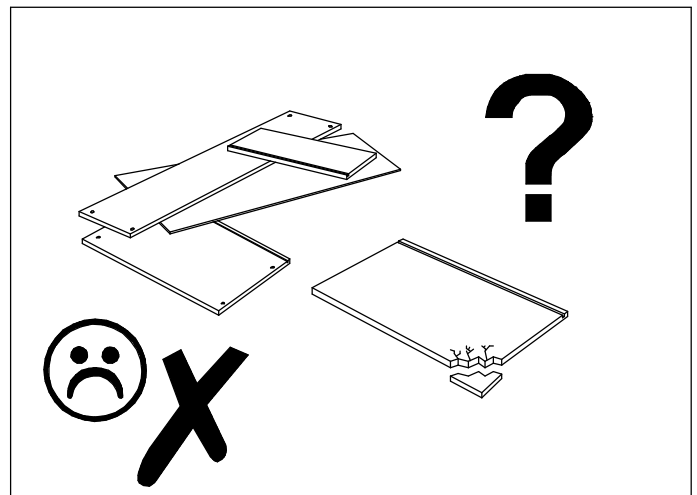
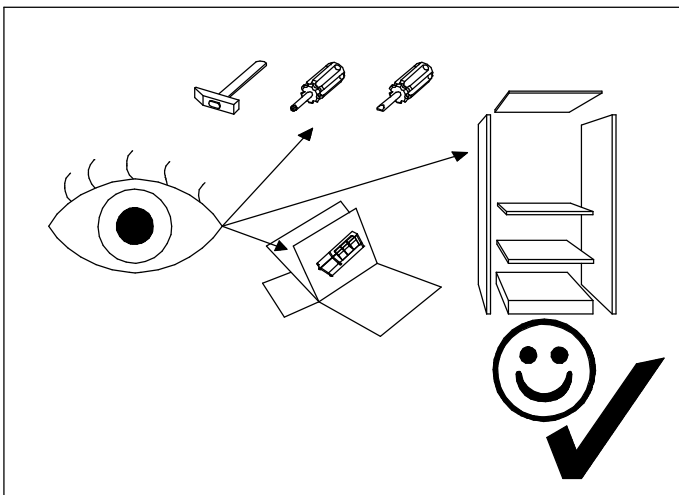
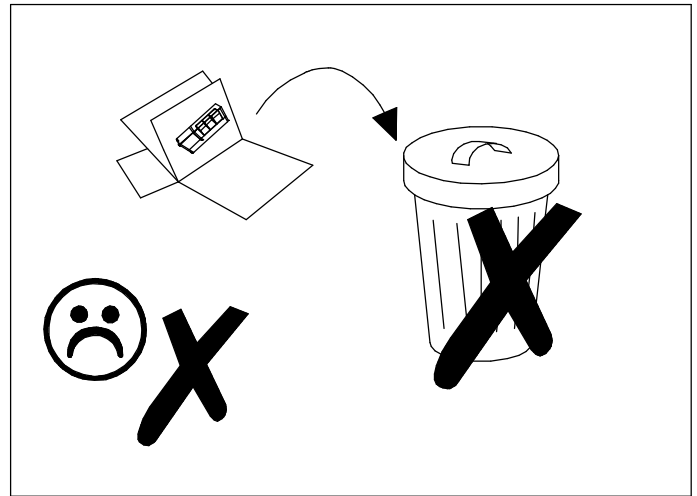
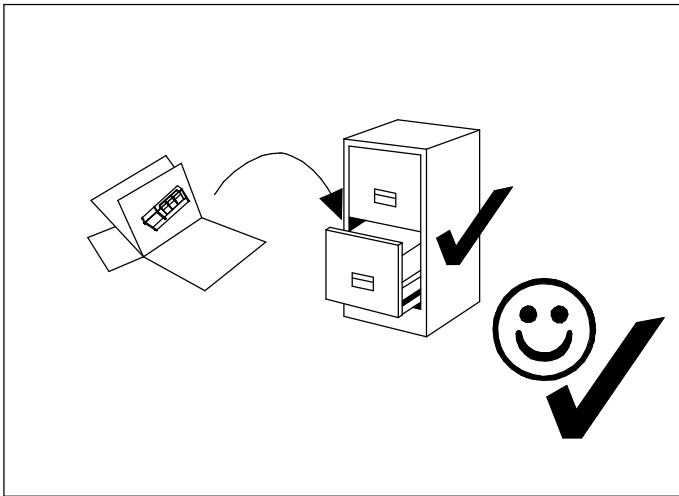
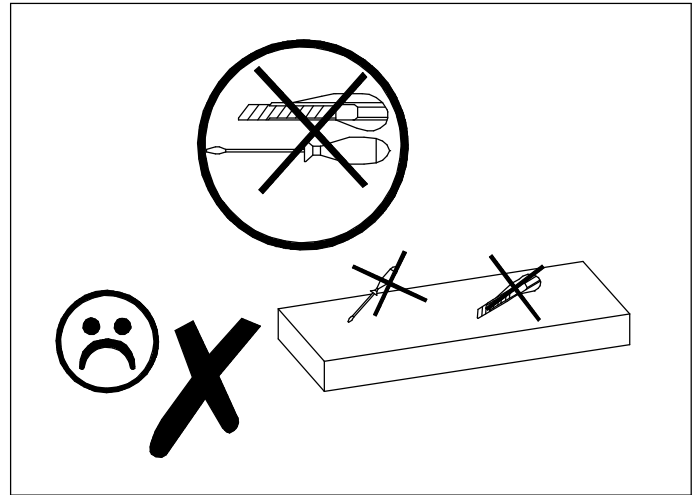
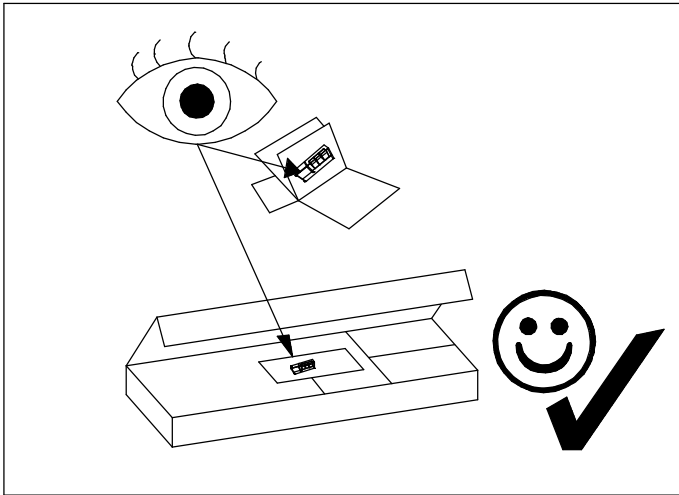


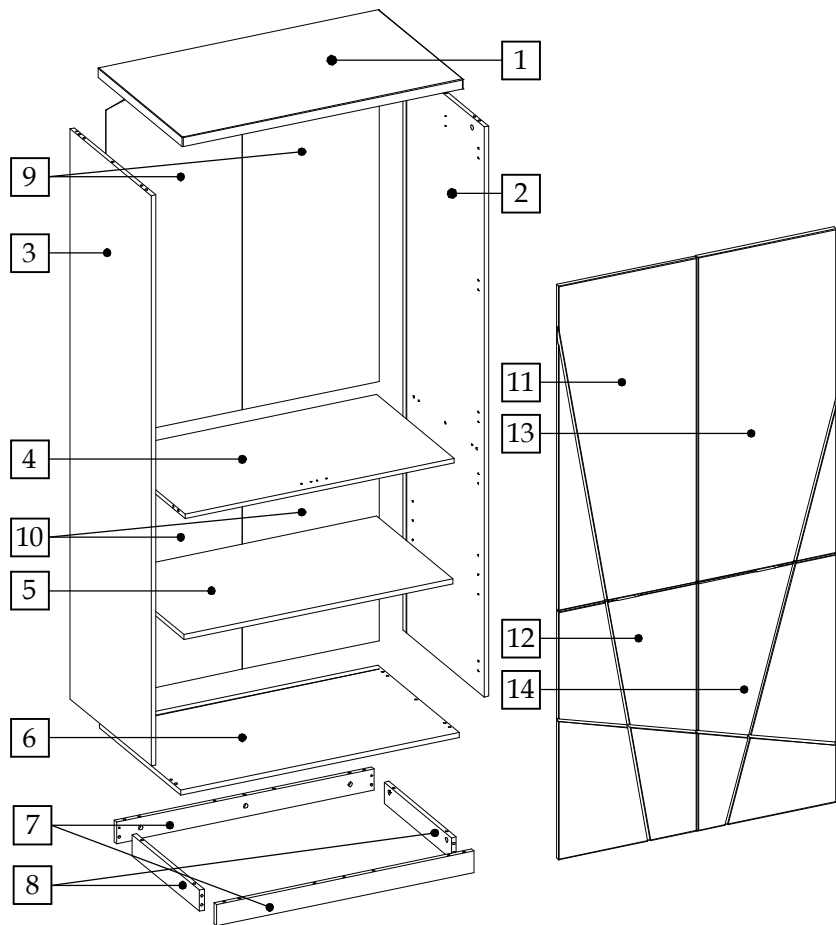
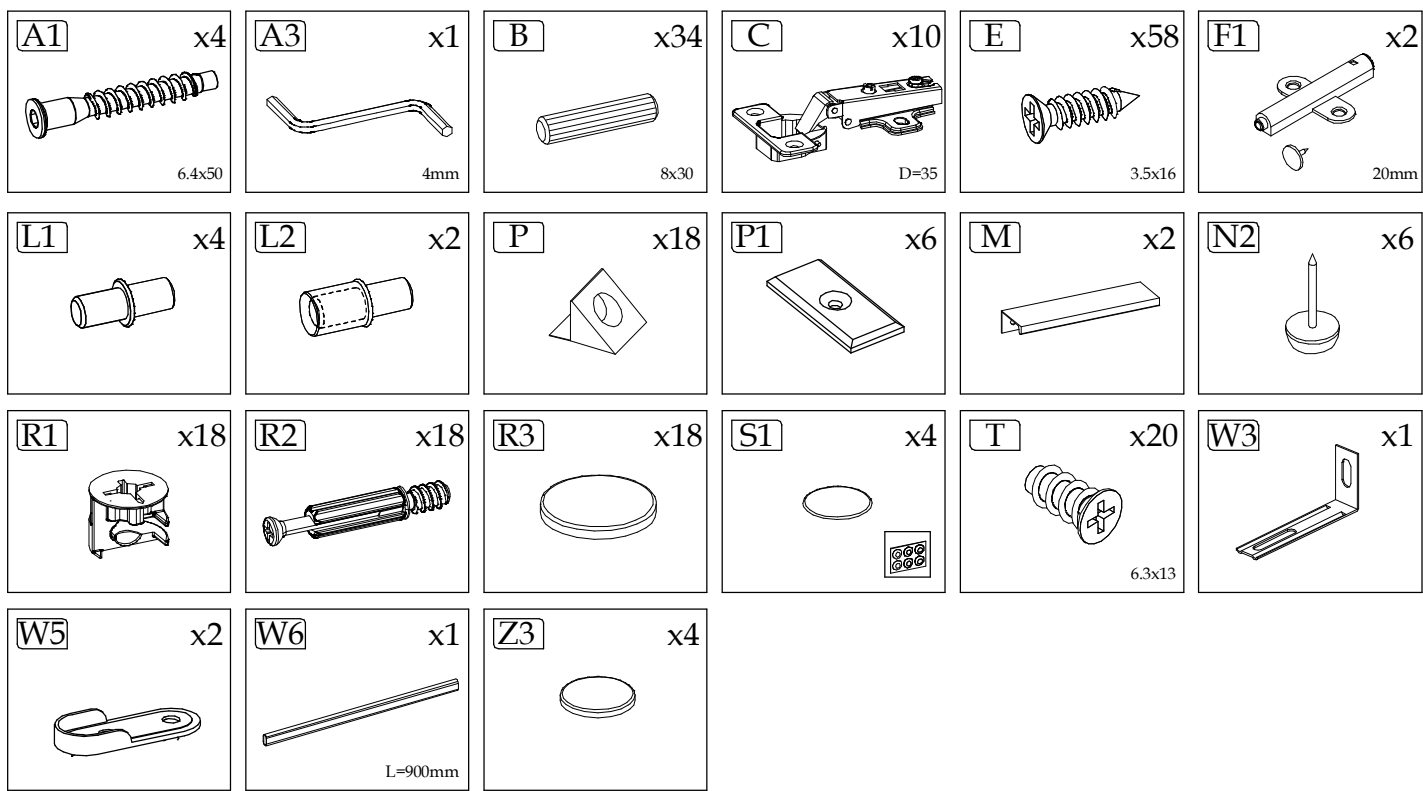
ORIENT Q



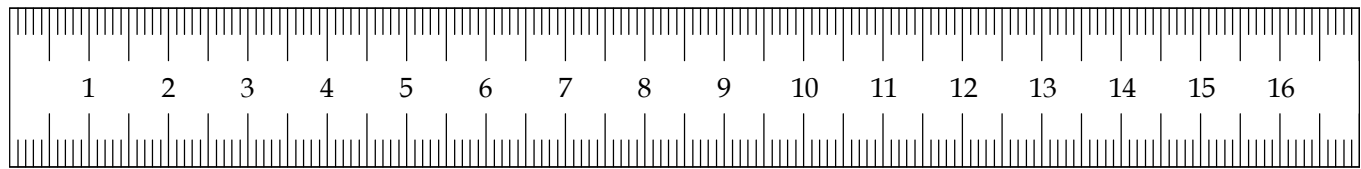
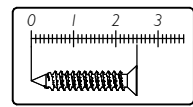
120 min

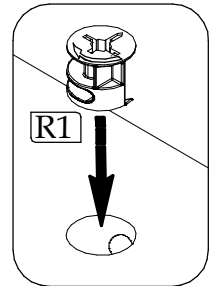
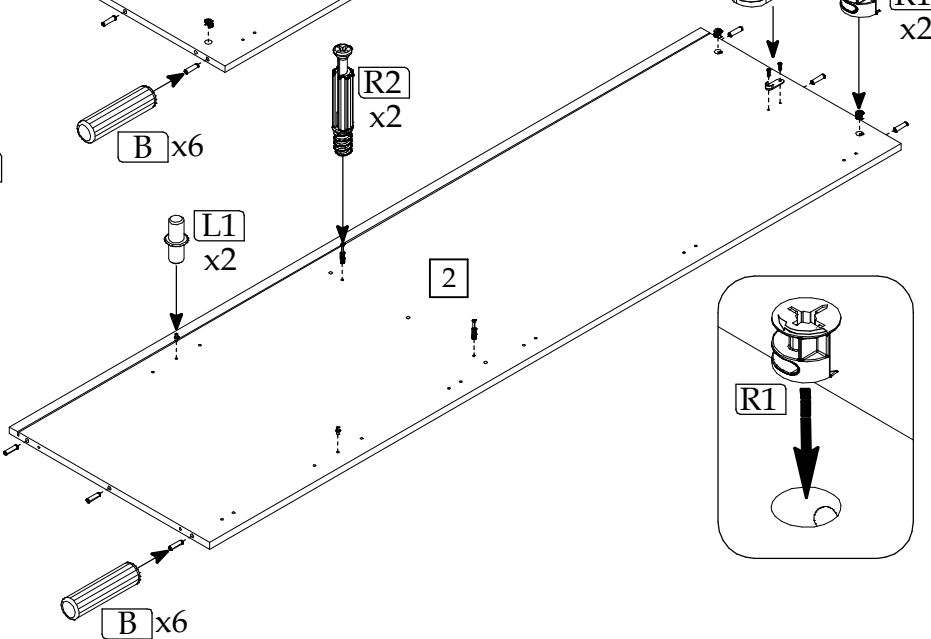
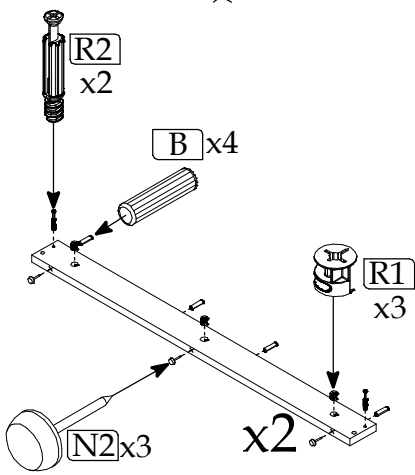
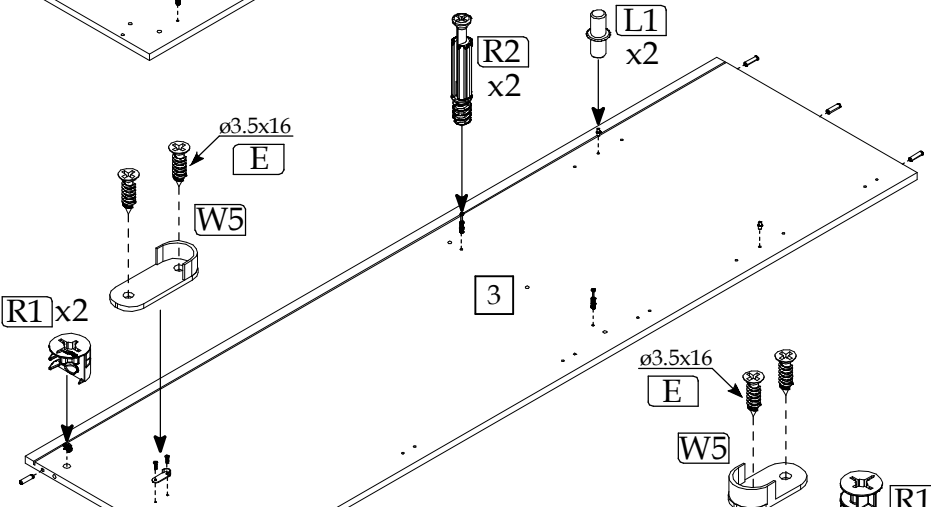
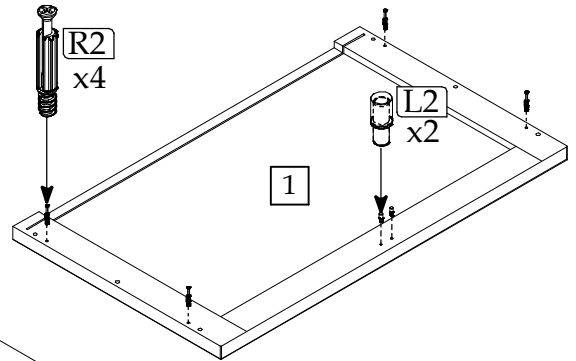
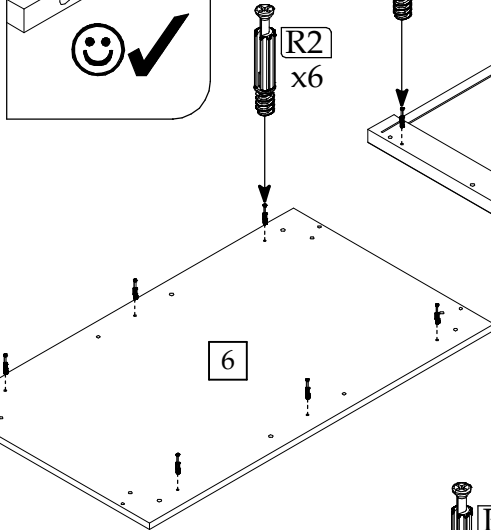
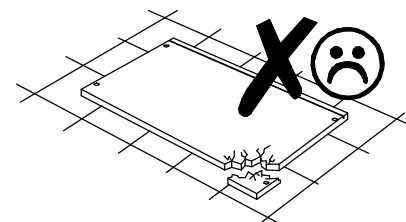
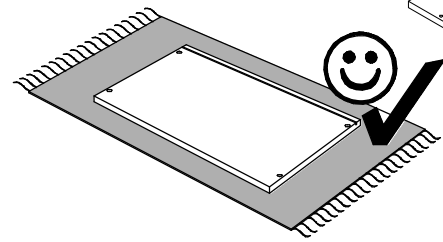
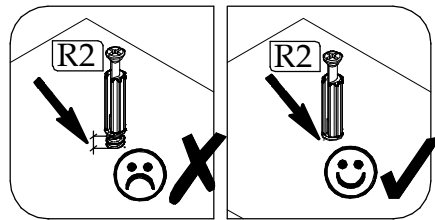
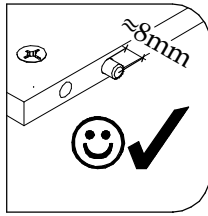
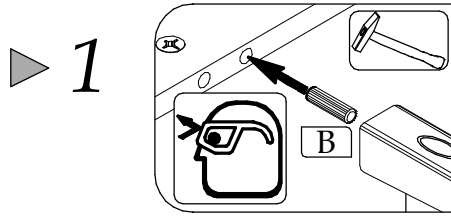
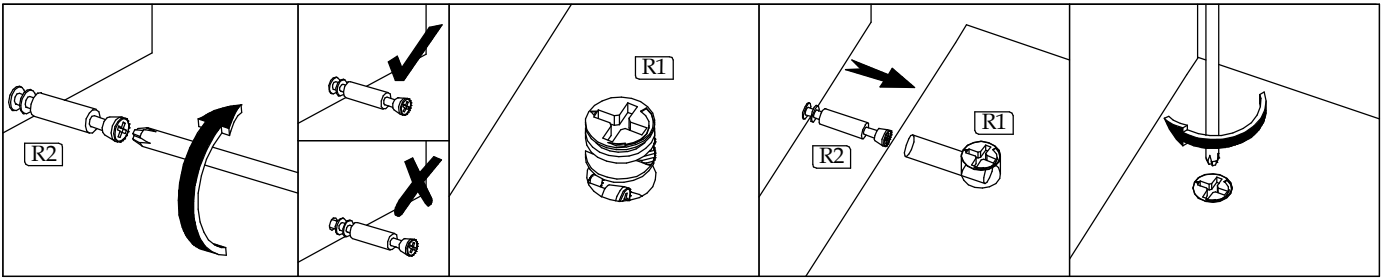




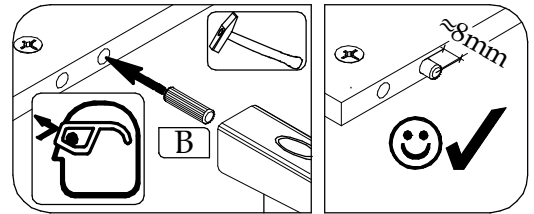
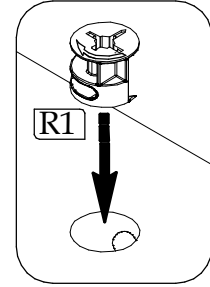
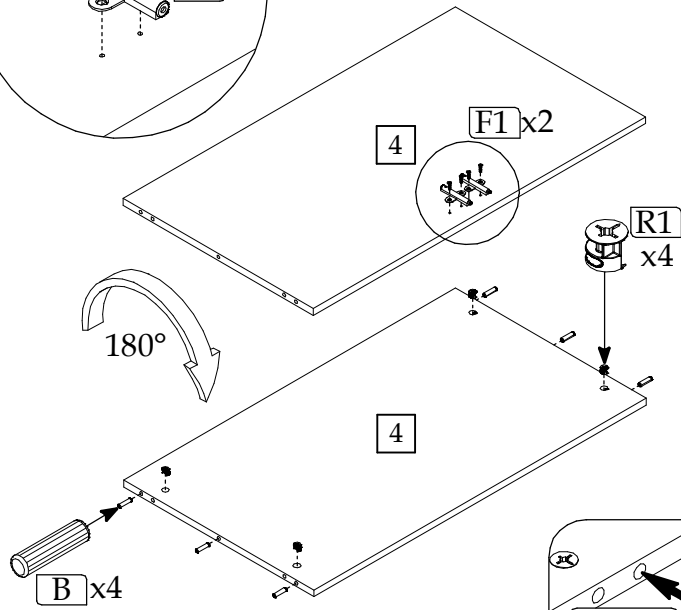
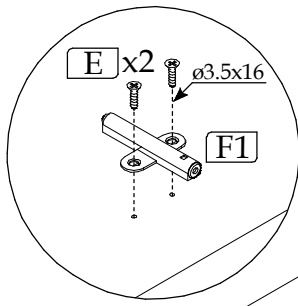


Element symbol	Measurements				Code	Pack
1	940	565	32	1	2031_v	1/2
2	1882	545	16	1	1005	1/2
3	1882	545	16	1	1006	1/2
4	904	518	16	1	1045_2045	1/2
5	904	510	16	1	N/A	1/2
6	938	546	16	1	1007_2007	1/2
7	866	70	16	2	1002-1004	1/2
8	453	70	16	2	1001-1003	1/2
9	1105	459	3	2	1041_1042v	1/2
10	807	459	3	2	N/A	1/2
11	1073	467	16	1	1016_3001	2/2
12	820	467	16	1	1017_3002	2/2
13	1073	467	16	1	1018_3003	2/2
14	820	467	16	1	1019_3004	2/2

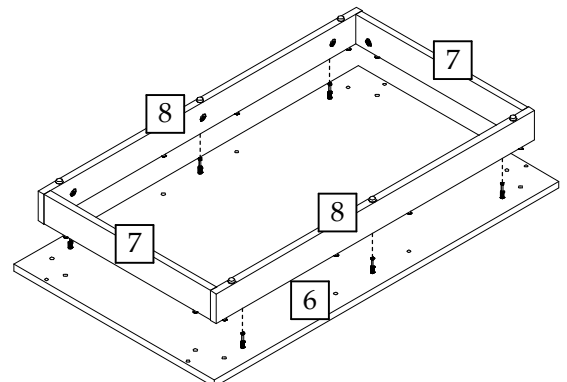
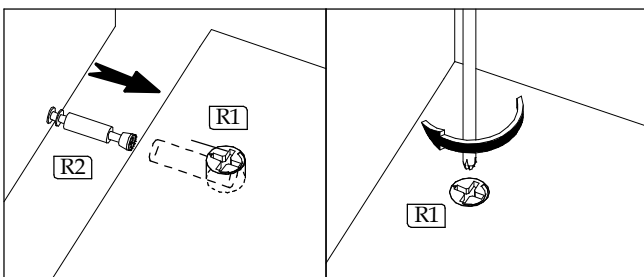
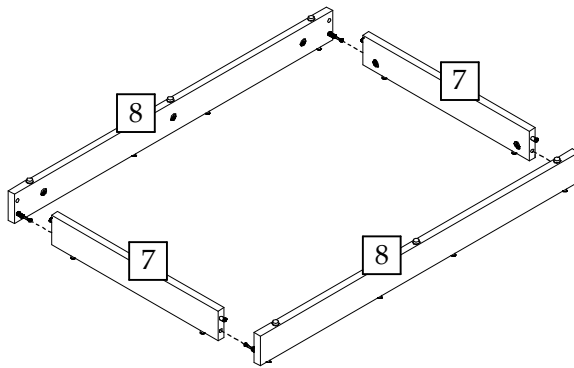
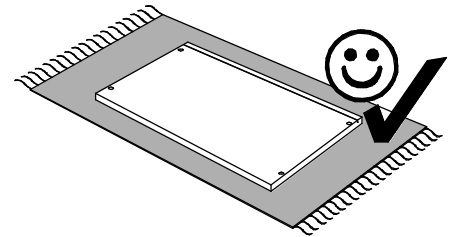
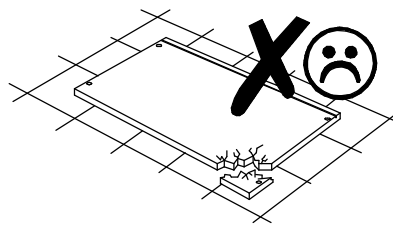




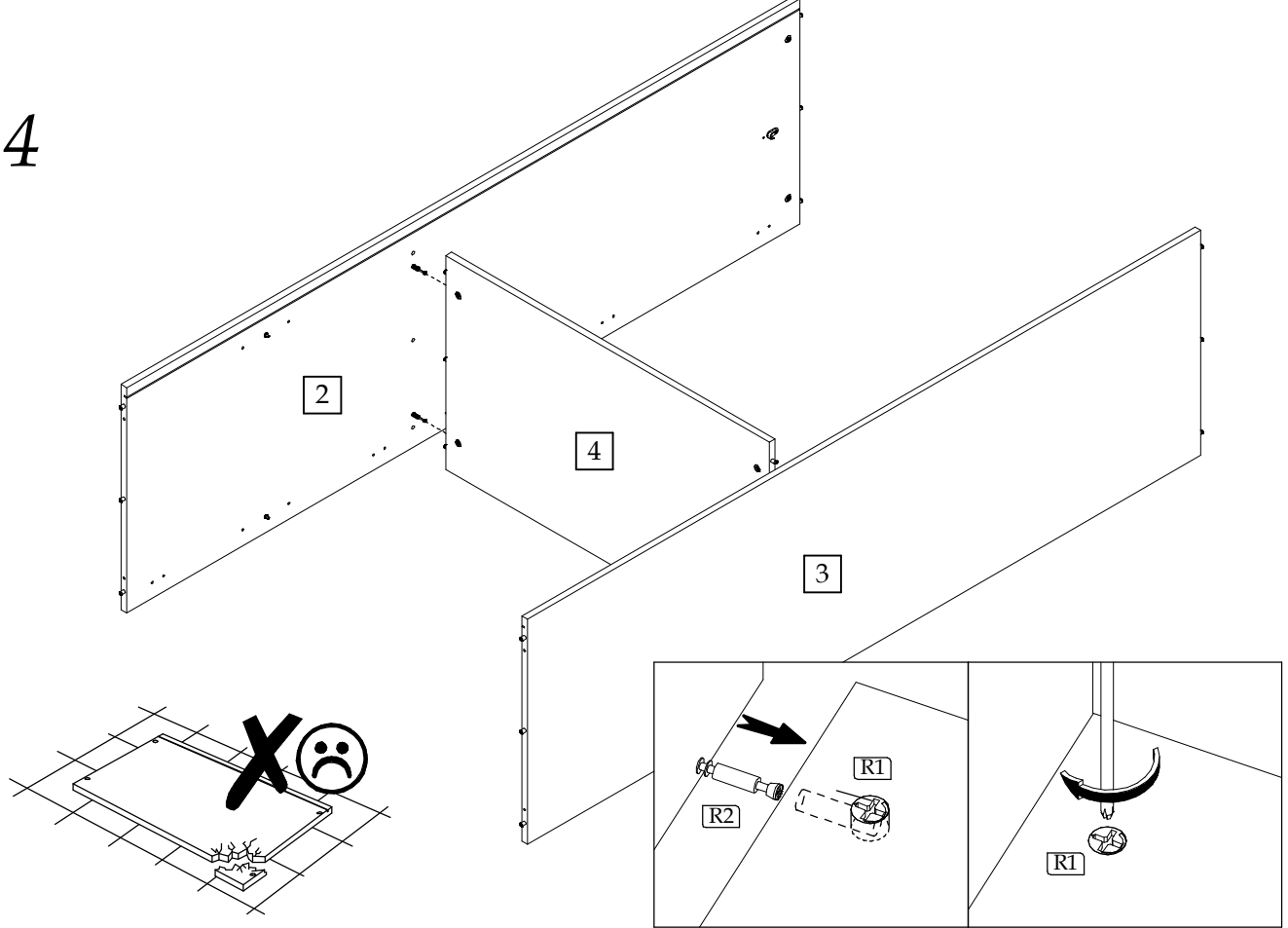
▶ 2



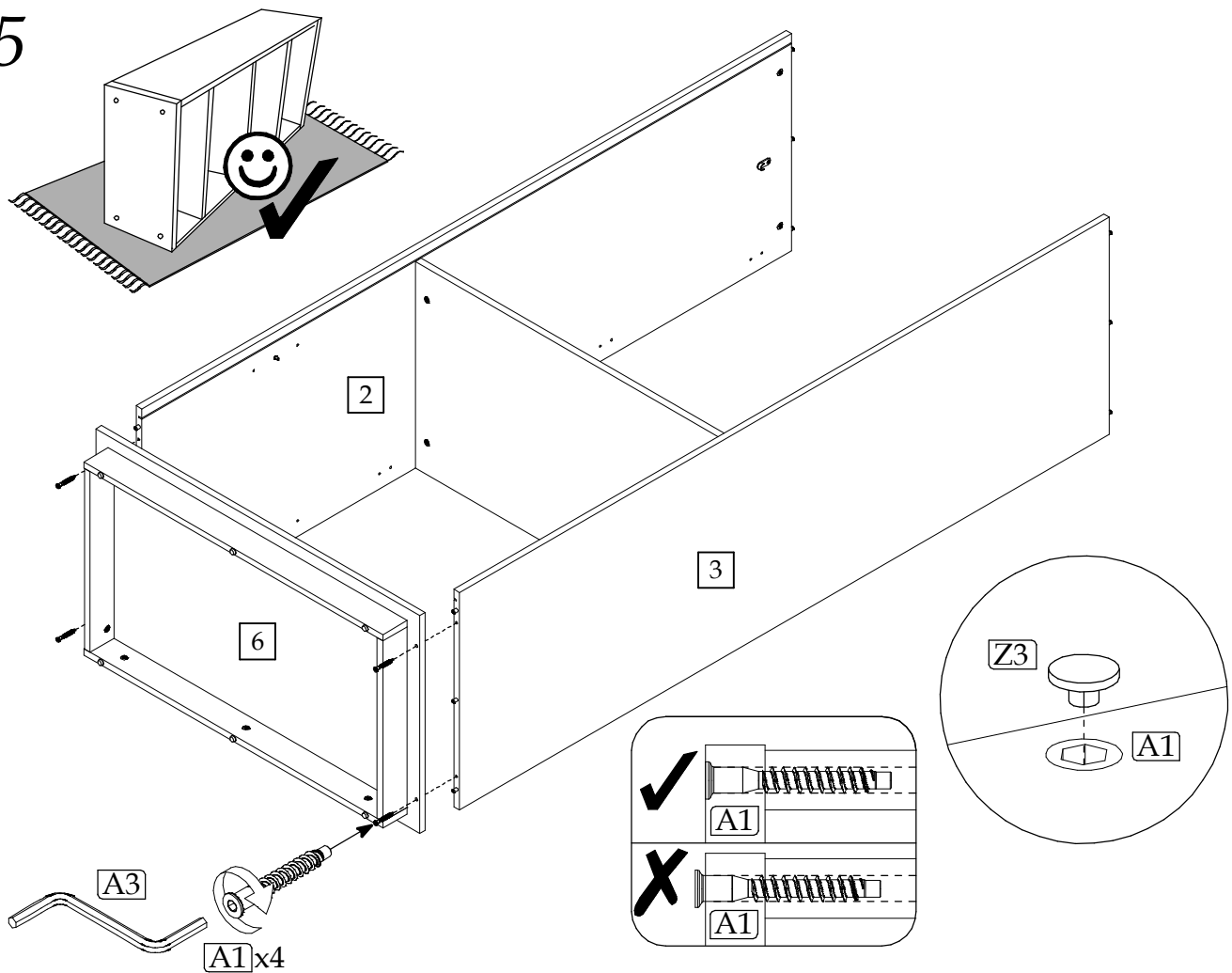
▶ 3



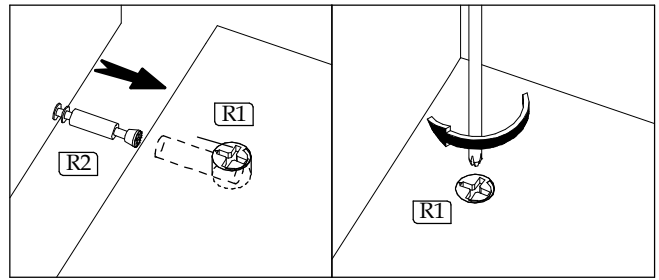
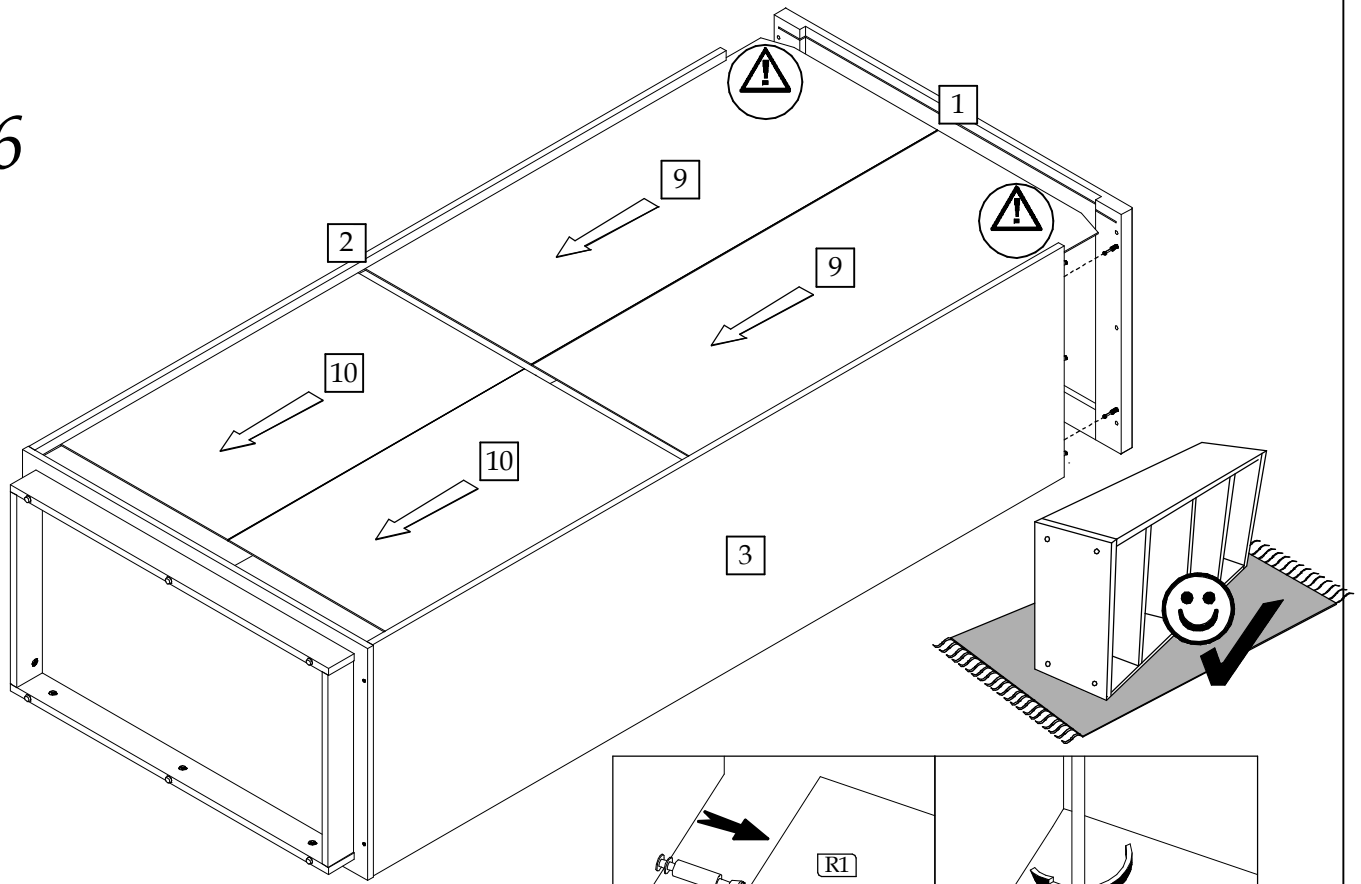
▶ 4



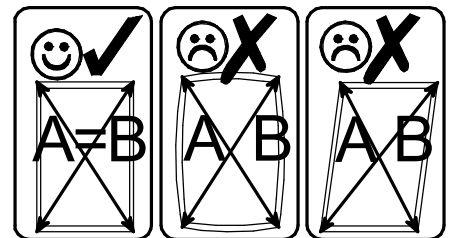
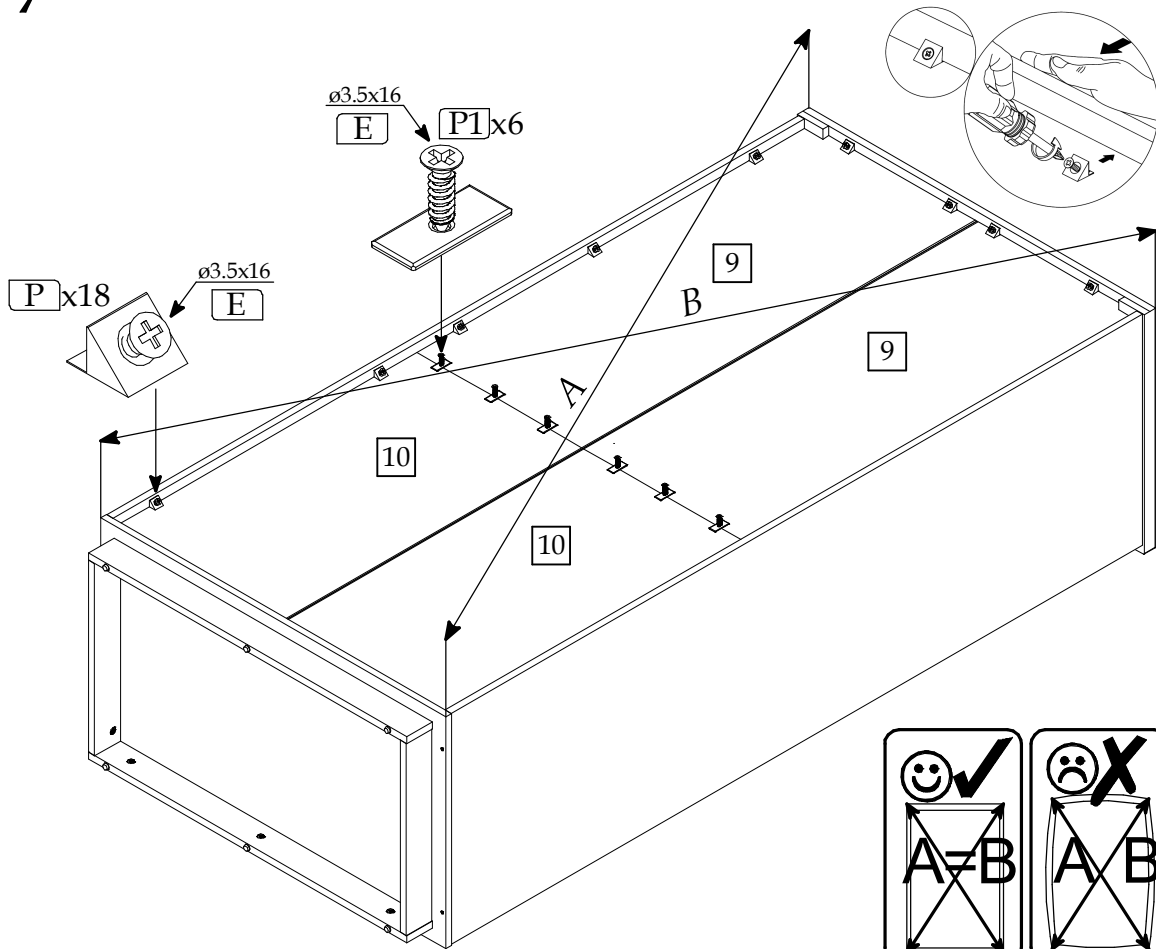
▶ 5



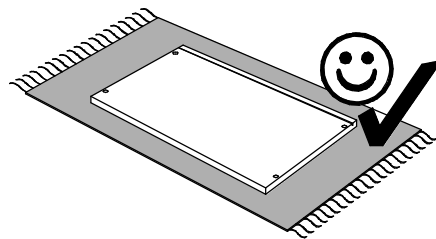
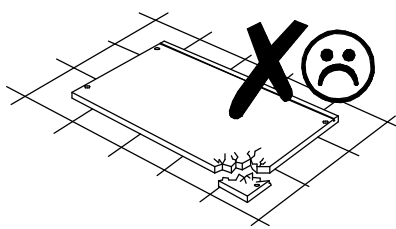
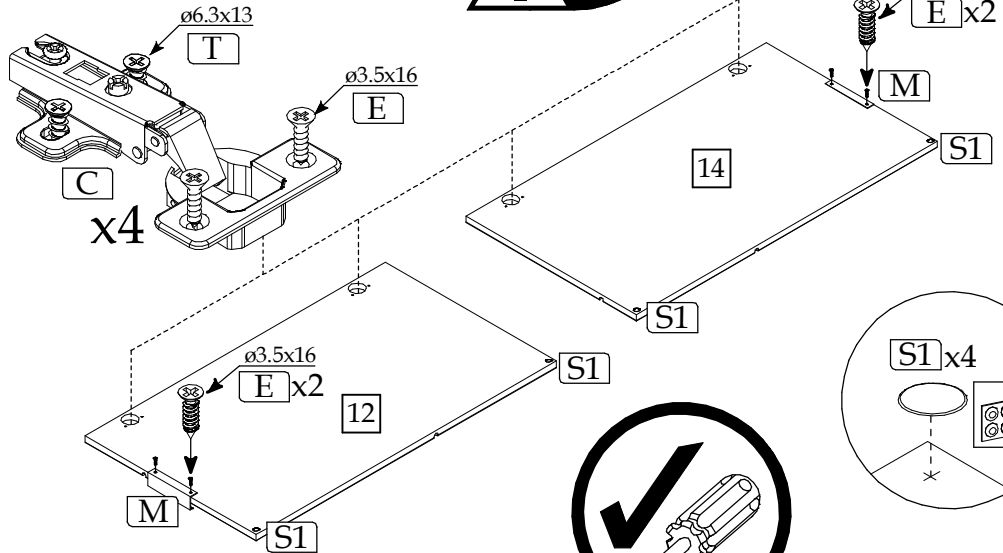
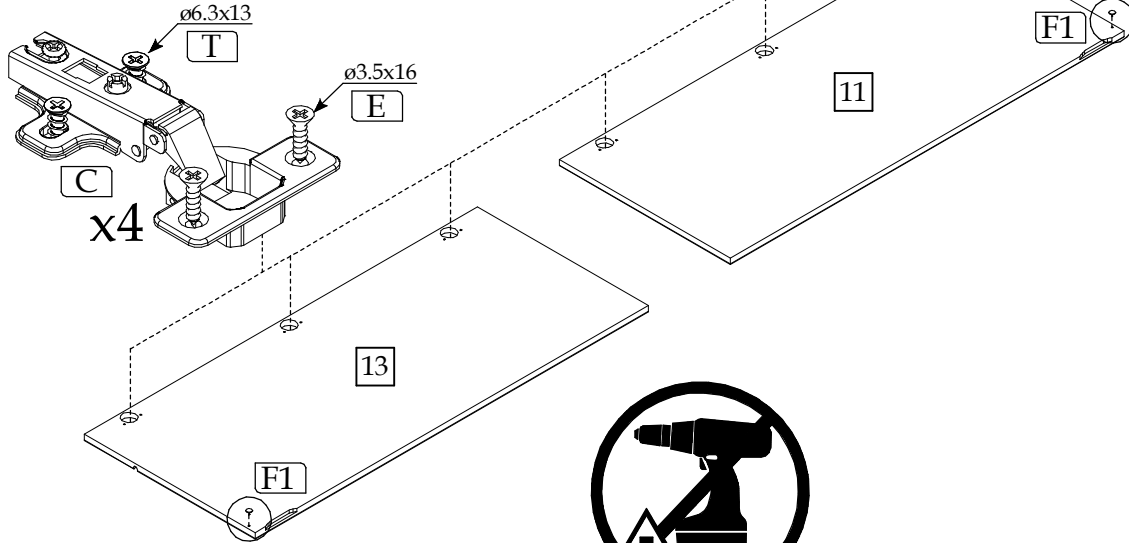
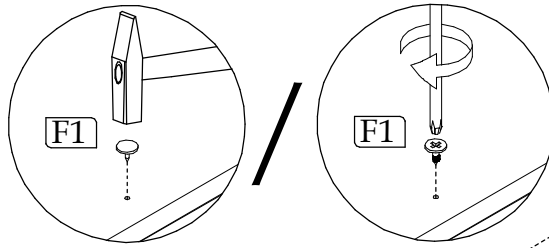
▶ 6



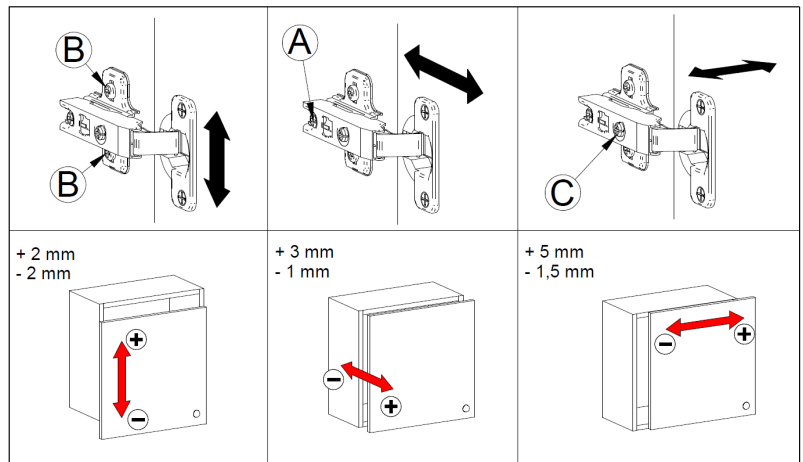
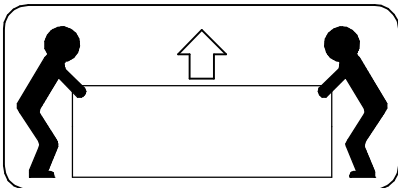
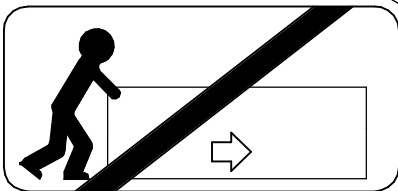
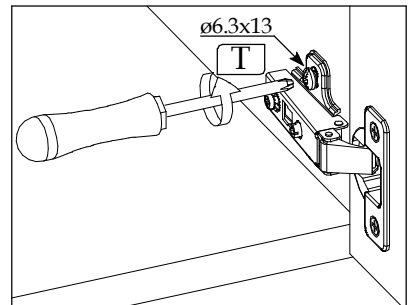
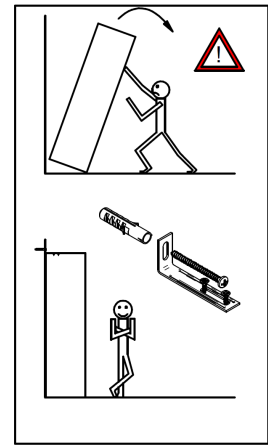
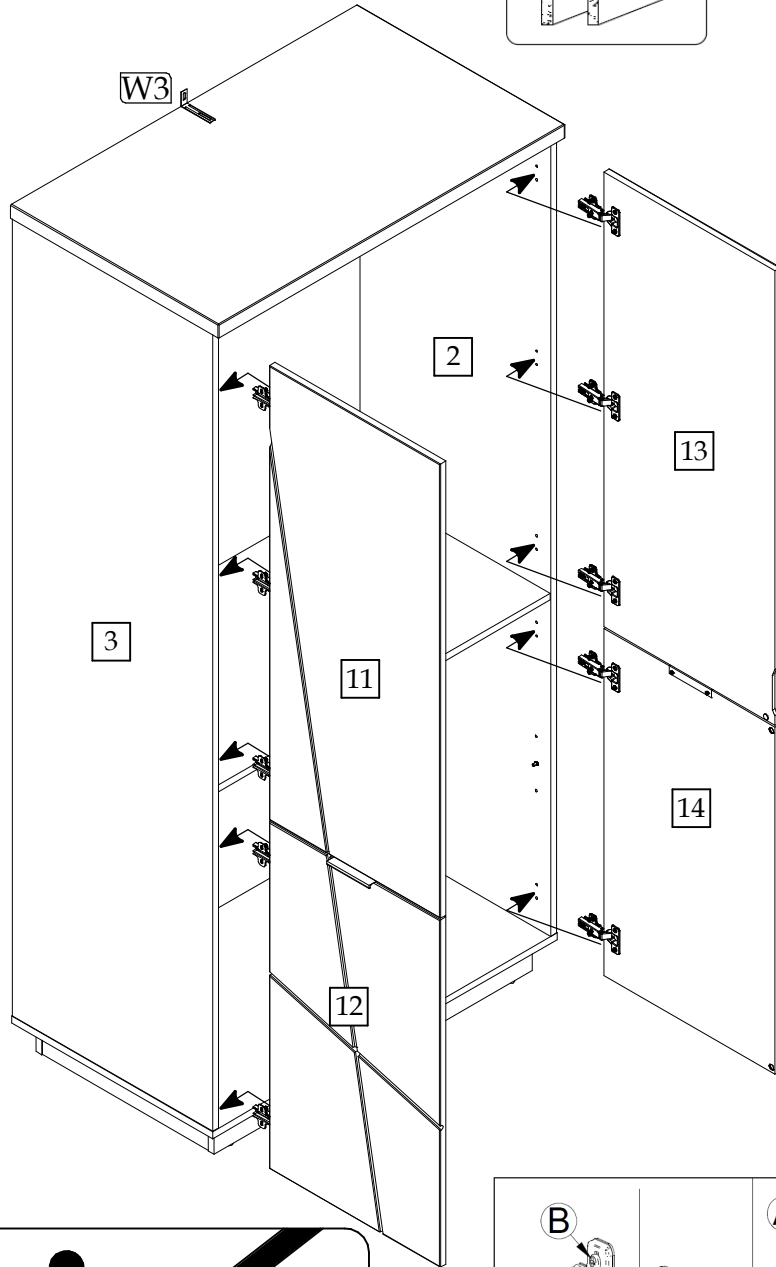
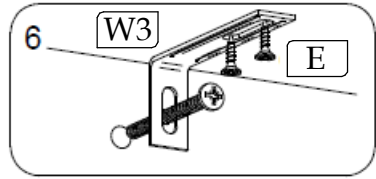
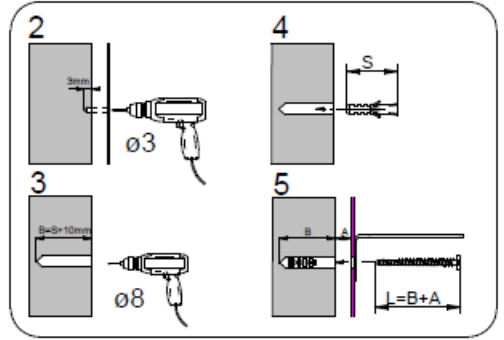
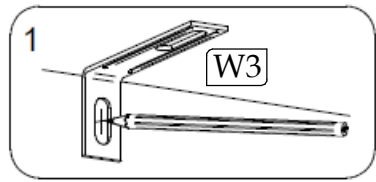
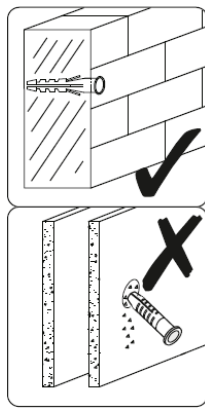
▶ 7



▶ 8



9



▶ 10

