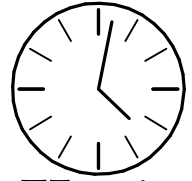
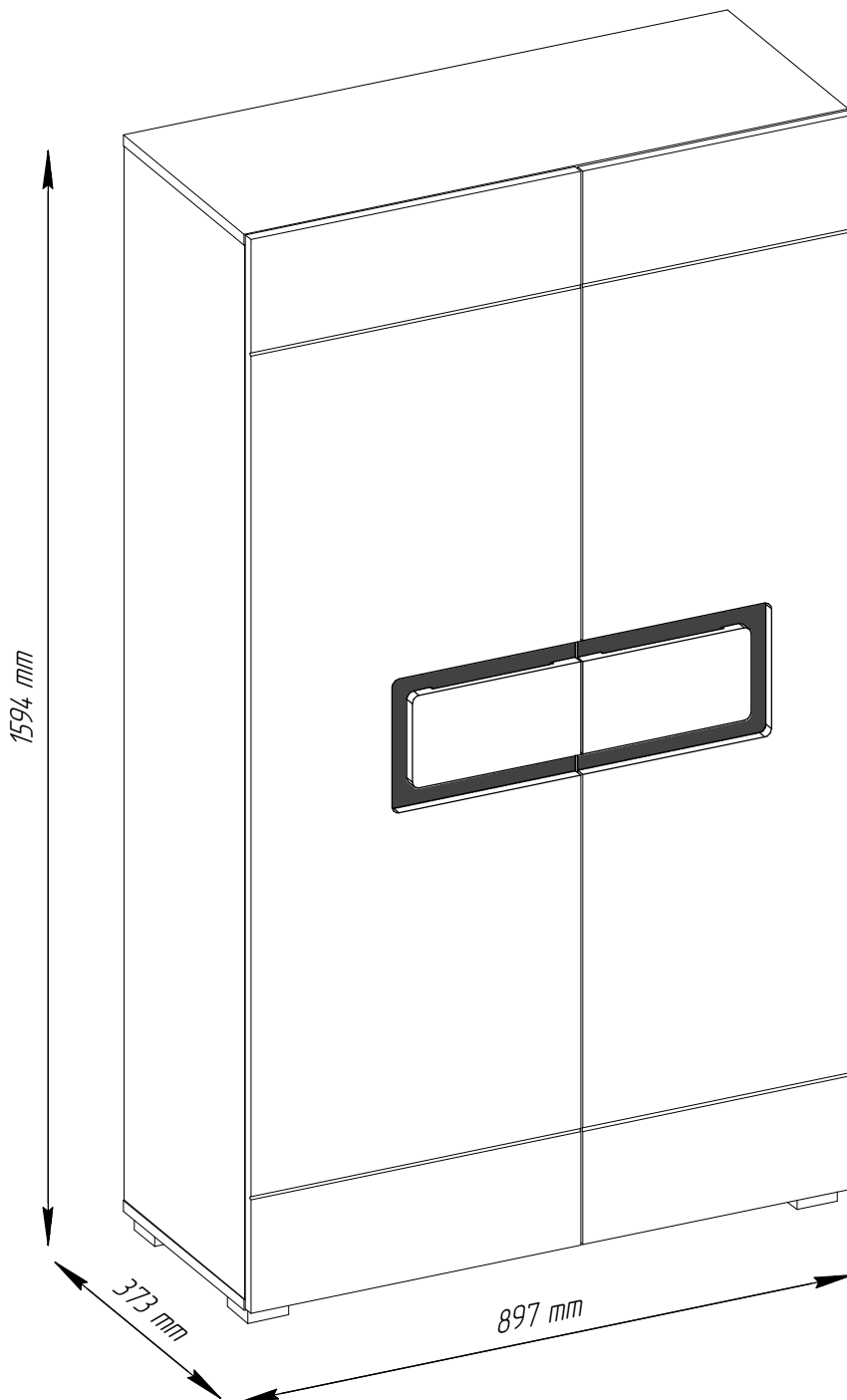
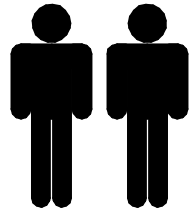


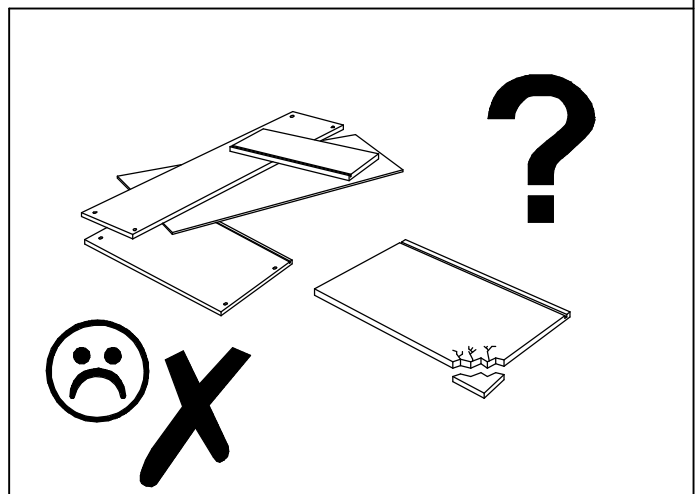
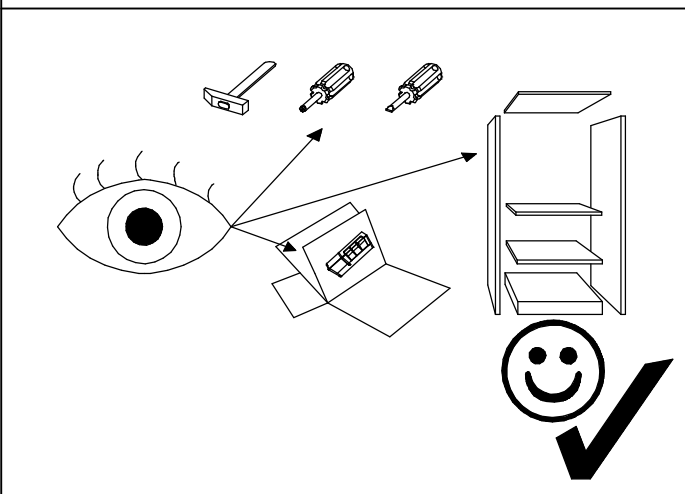
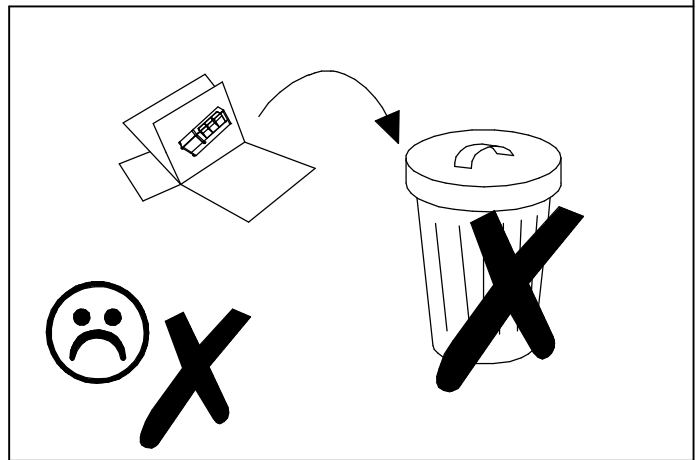
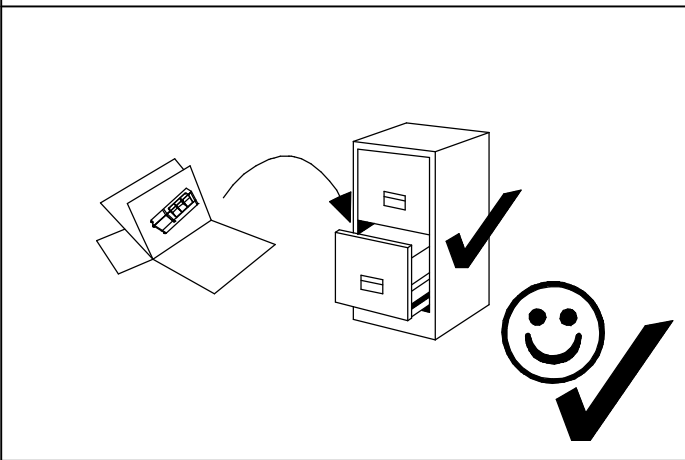
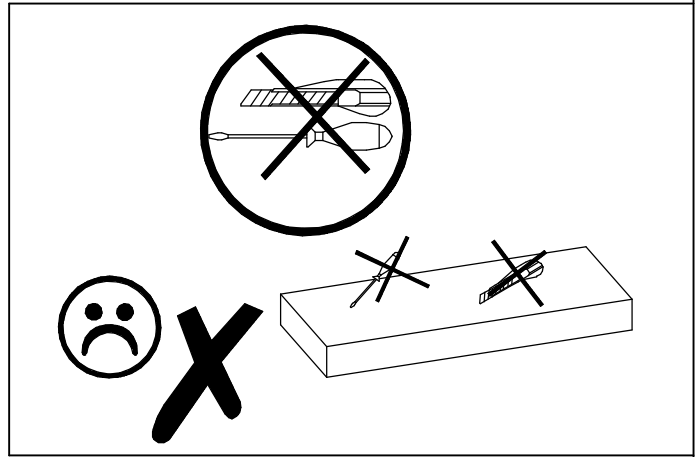
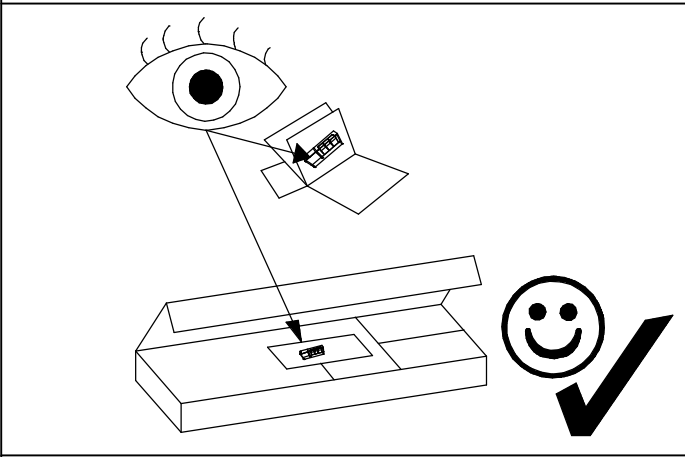
# PAWEL

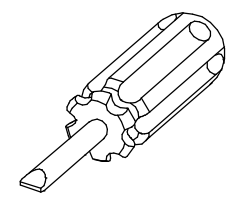
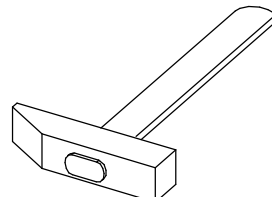
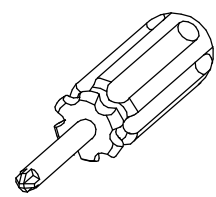
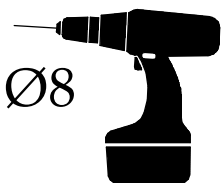
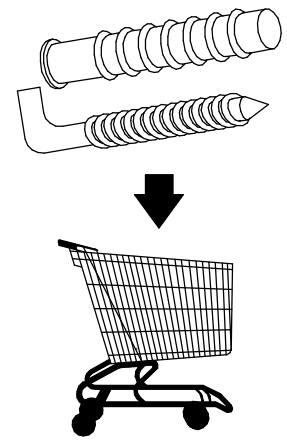
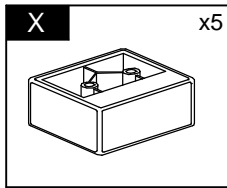
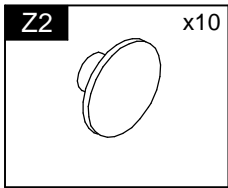
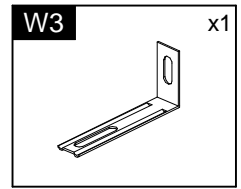
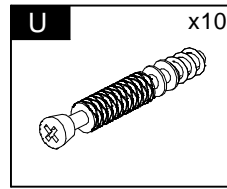
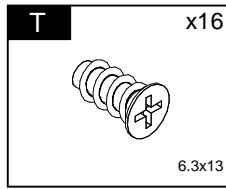
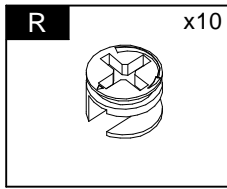
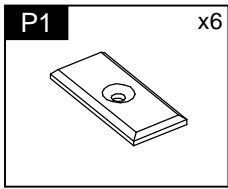
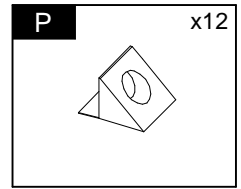
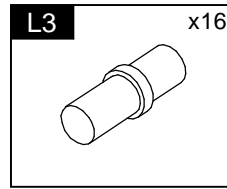
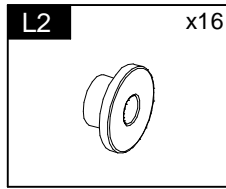
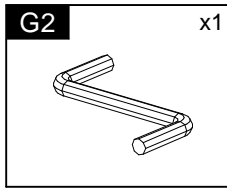
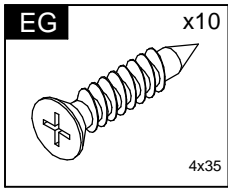
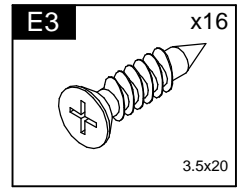
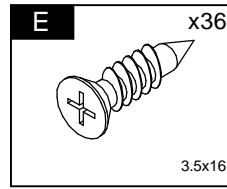
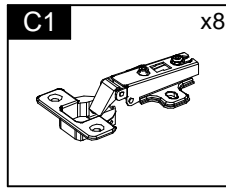
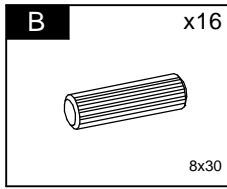
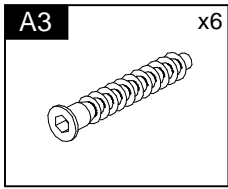
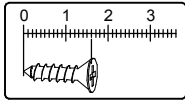
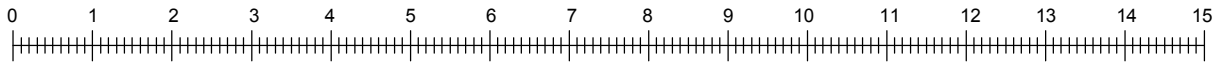
Typ N

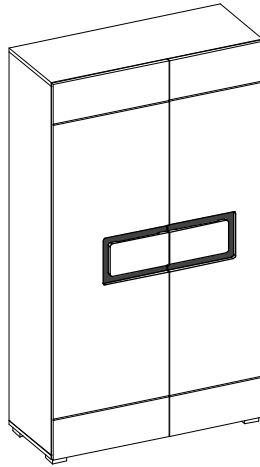


75 min

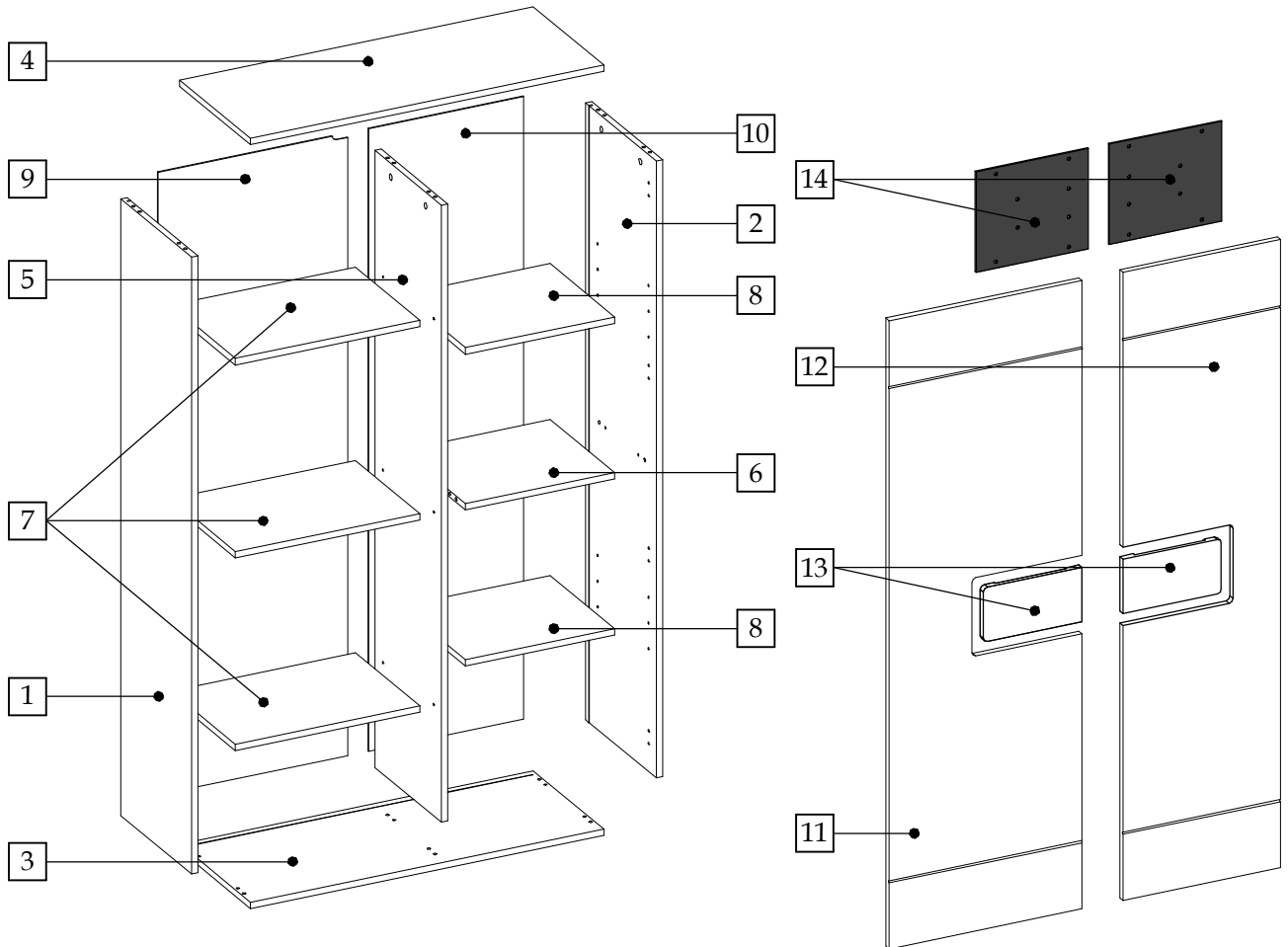


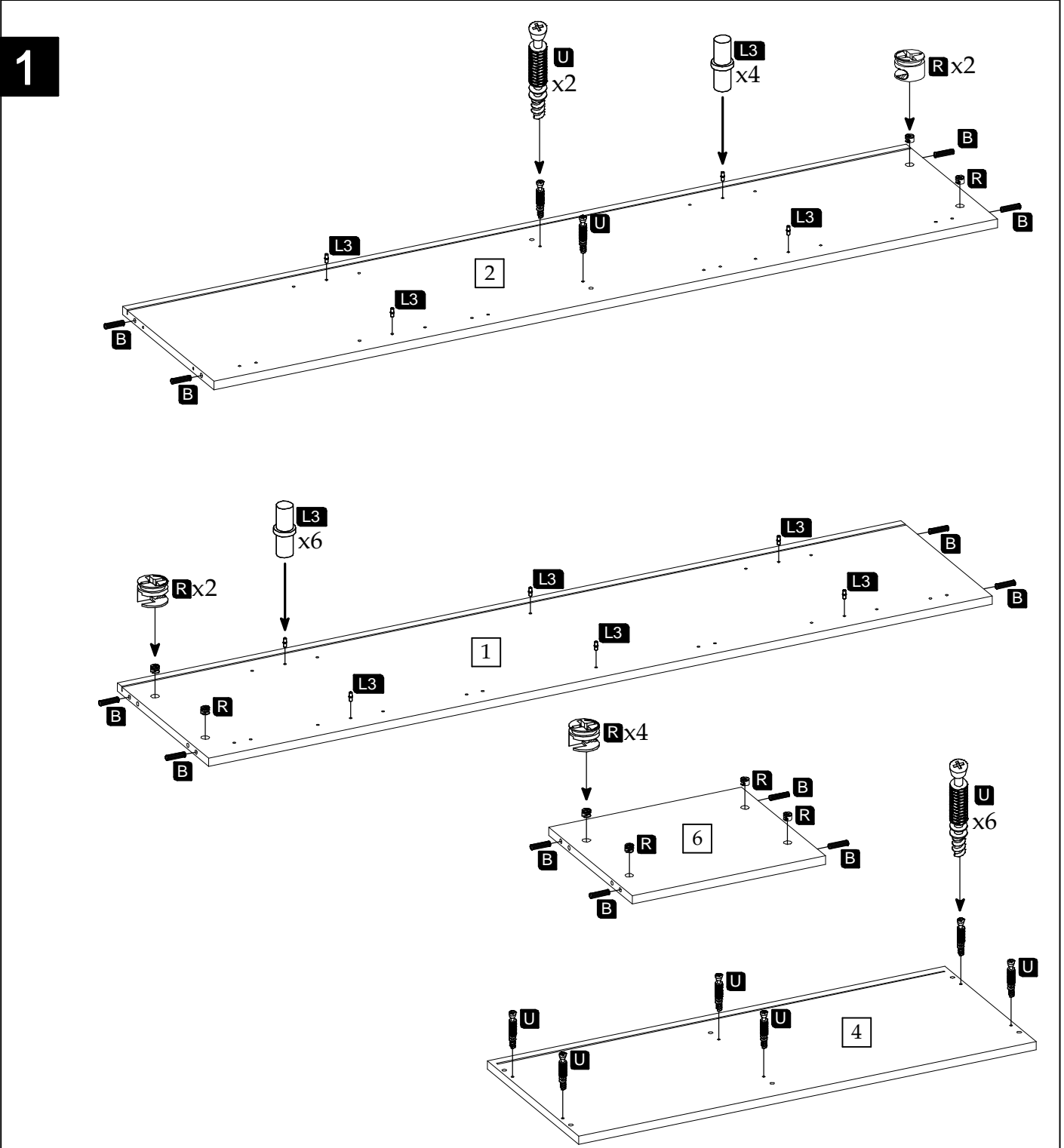
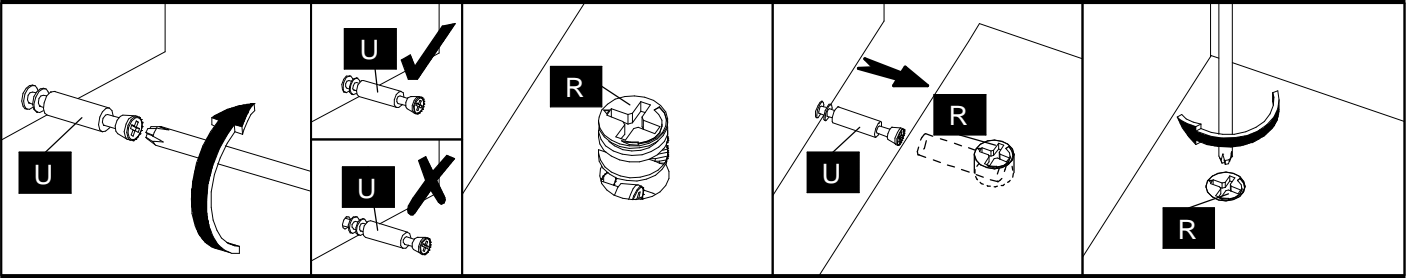




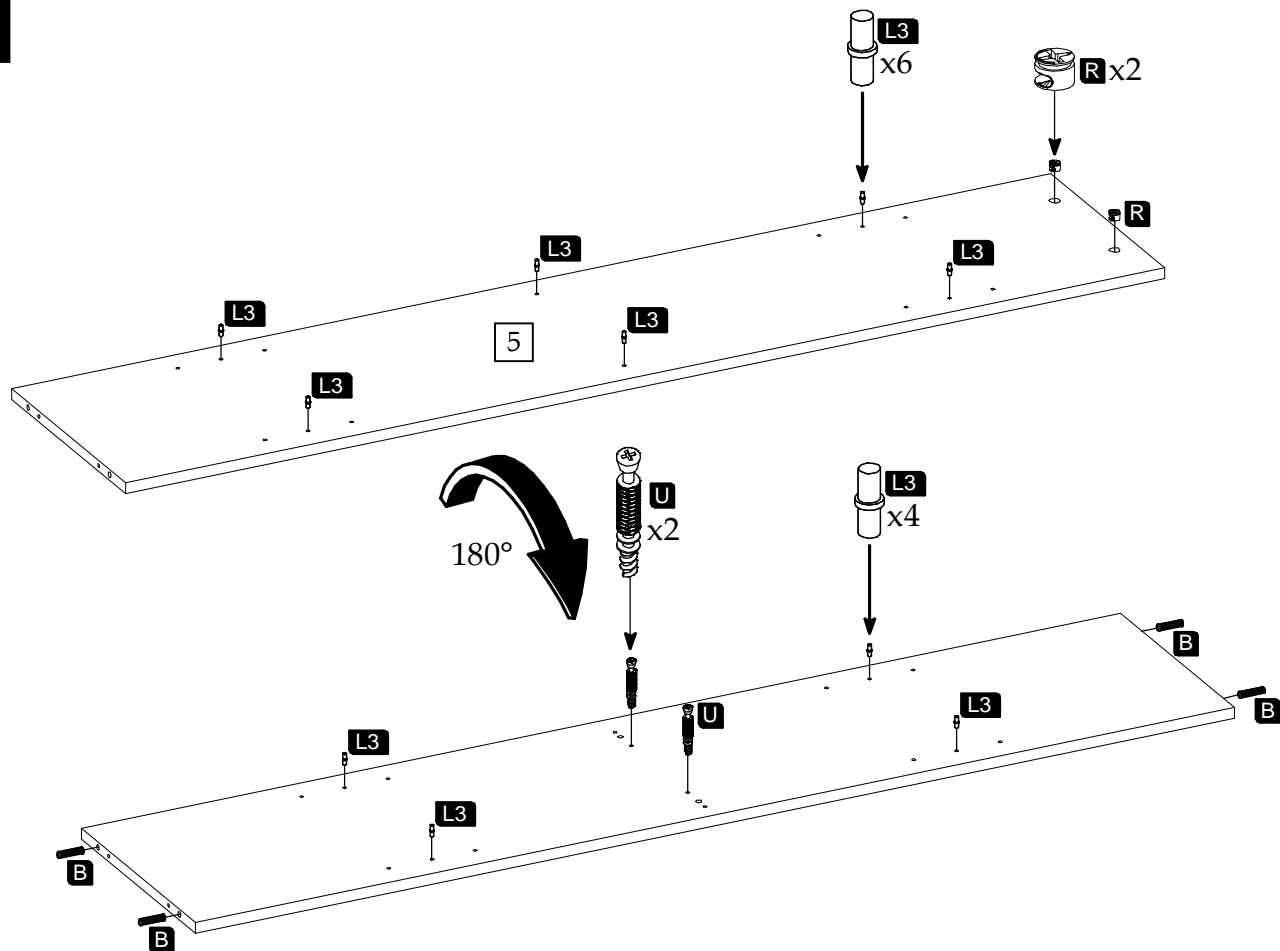


Element symbol	Measurements				Code	Paket
1	1537	356.5	16	1	1004	1/3
2	1537	356.5	16	1	1005	1/3
3	897	357	16	1	1024	1/3
4	897	357	16	1	1025	1/3
5	1537	333.6	16	1	1006	1/3
6	378.5	327	16	1	1001	1/3
7	468	320	16	3	N/A	1/3
8	378	320	16	2	N/A	1/3
9	1551	482	3	1	1008	1/3
10	1551	393	3	1	N/A	1/3
11	1567	492	16	1	1028/3010	2/3
12	1567	402	16	1	1008/3021	2/3
13	251	136	16	2	1002/3023	2/3
14	285	250	4	2	Glass	3/3

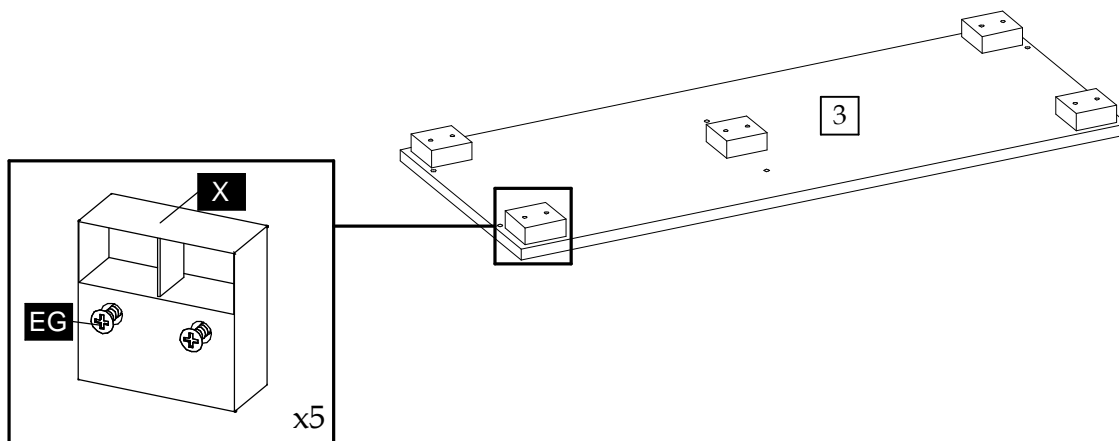




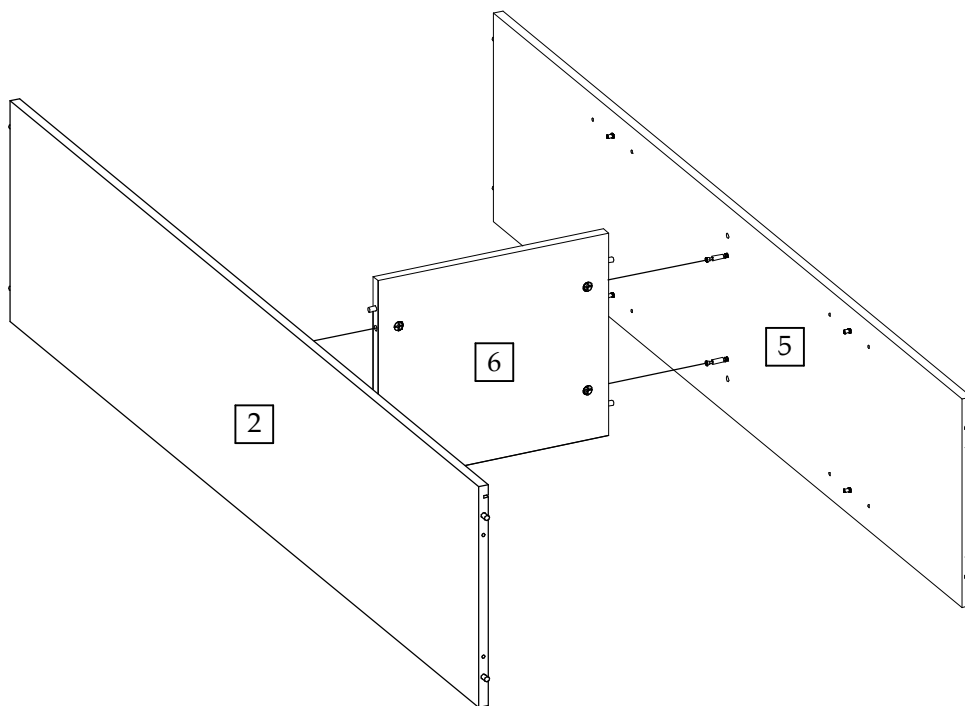
2



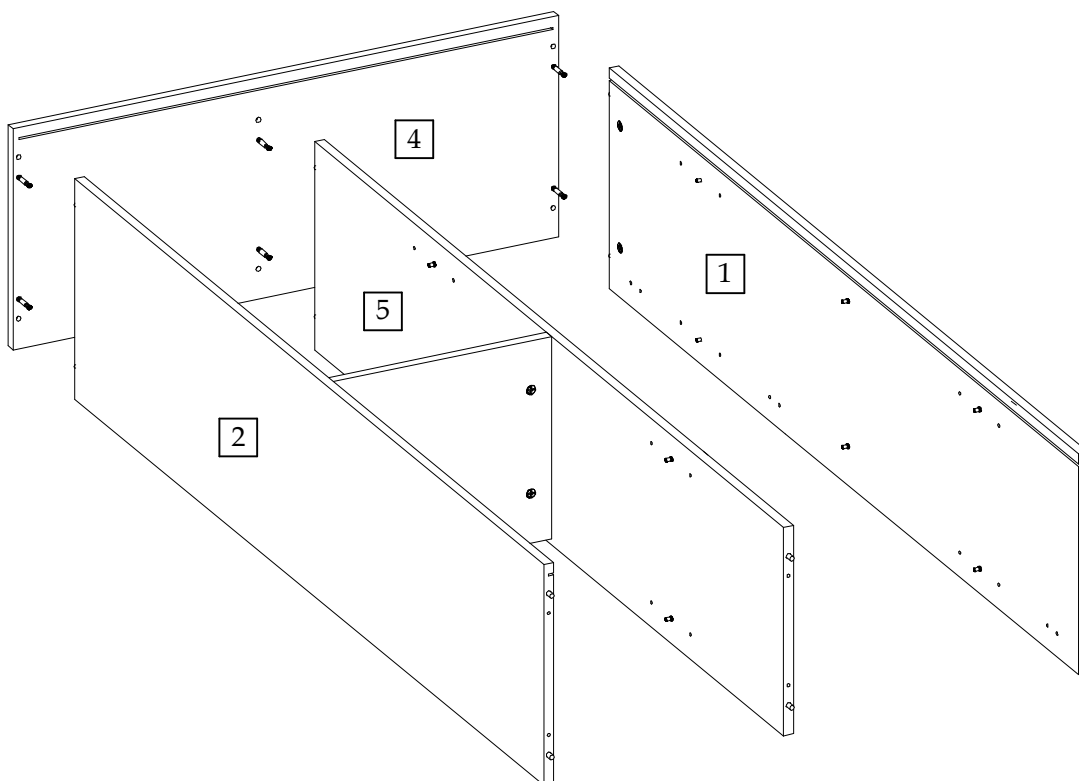
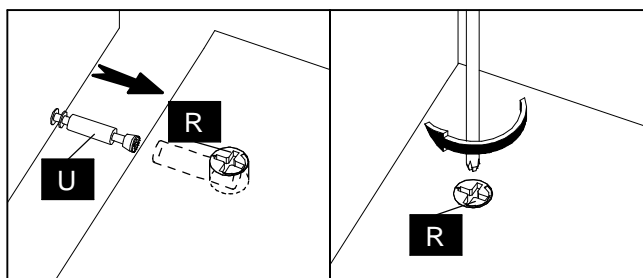
3



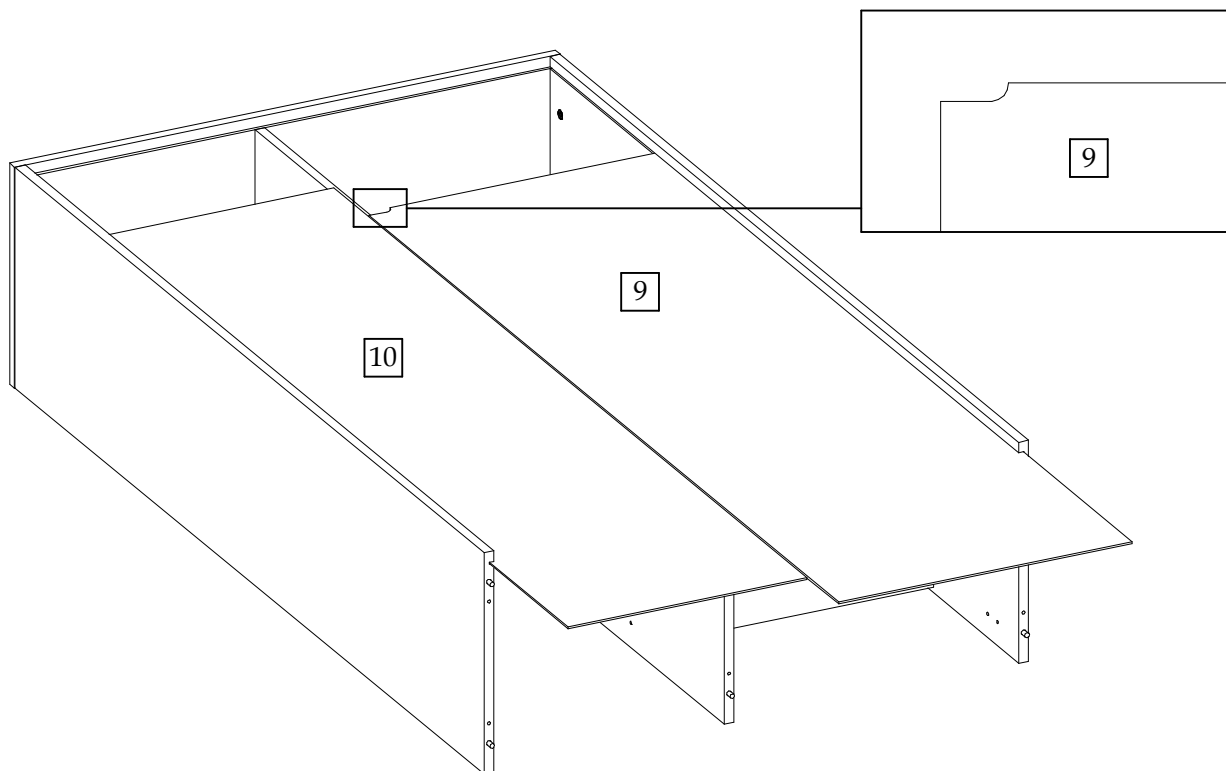
4



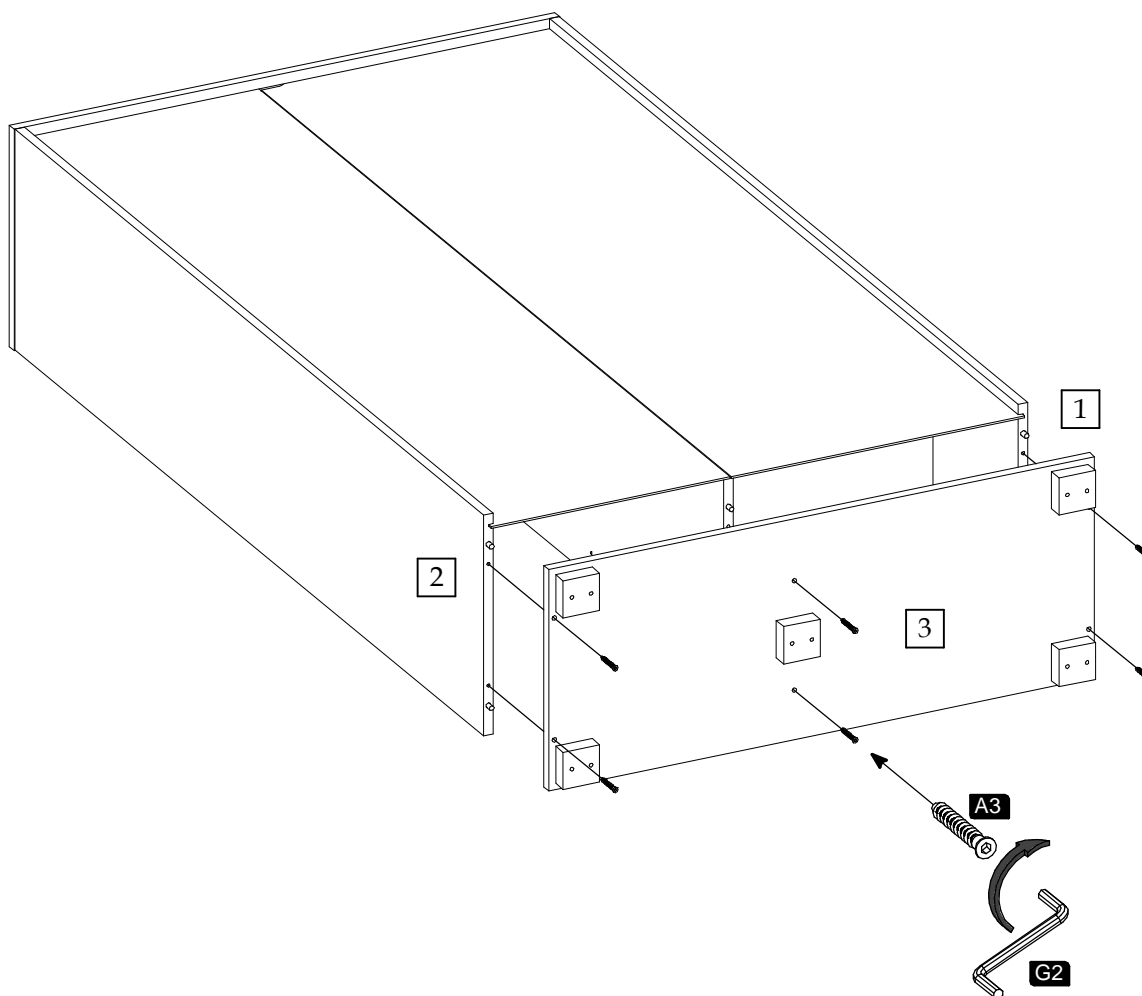
5



6



7



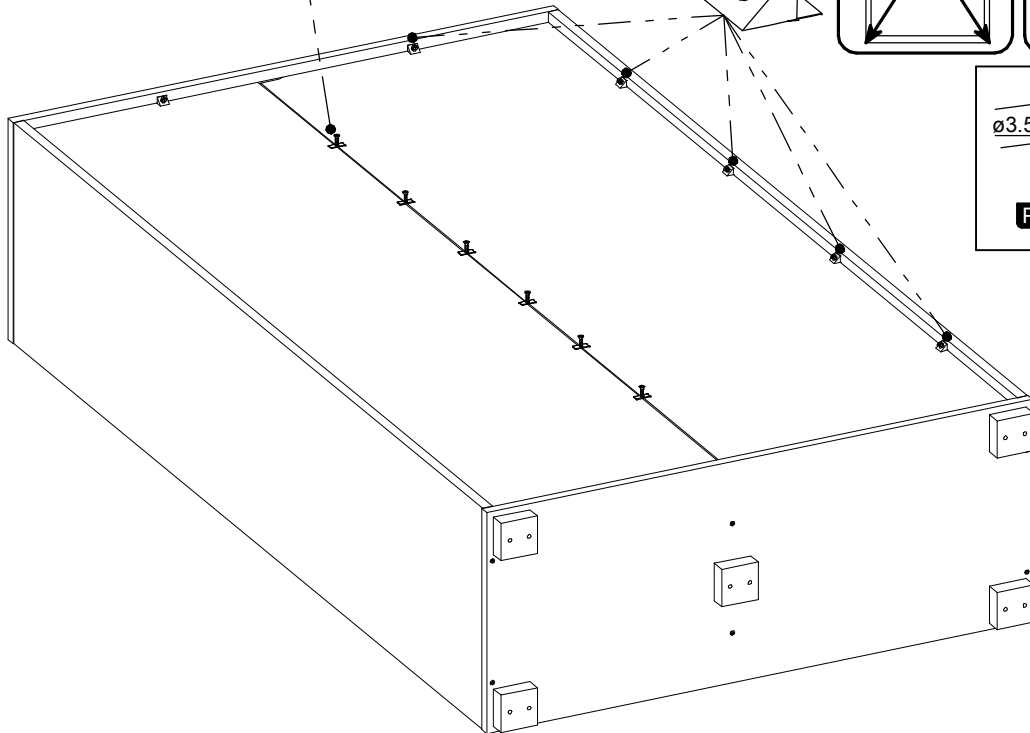
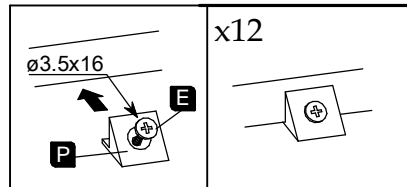
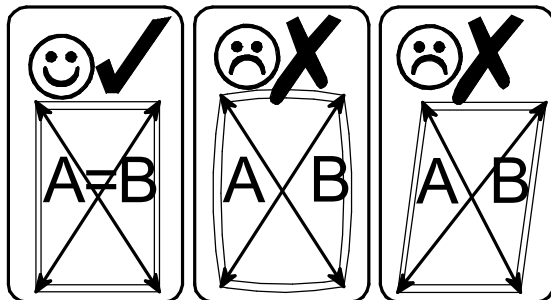


8

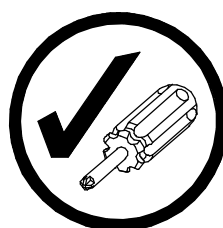
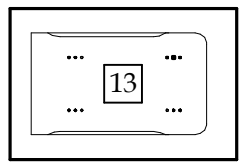
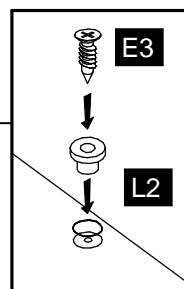
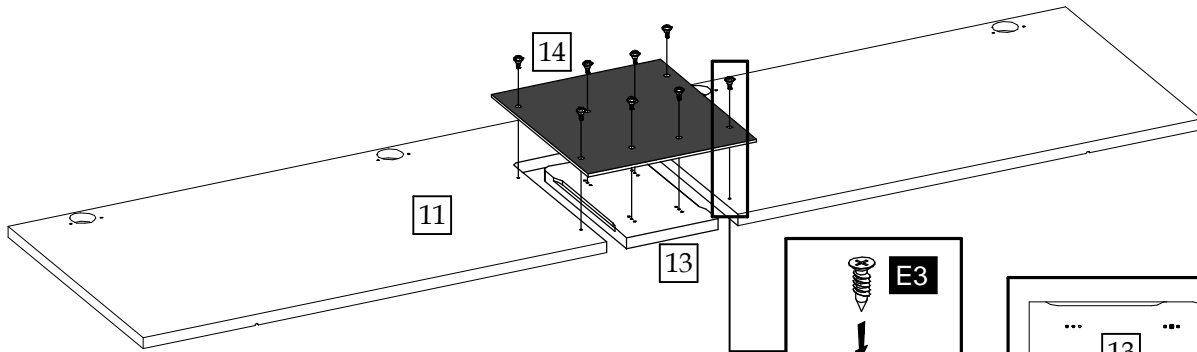
ø3.5x16

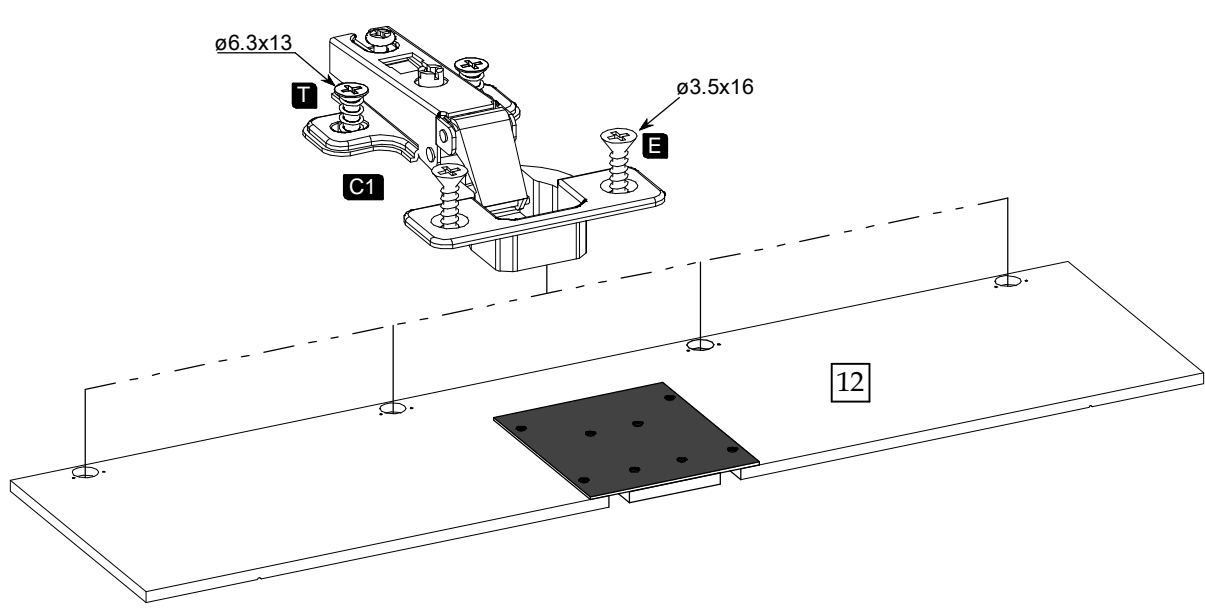
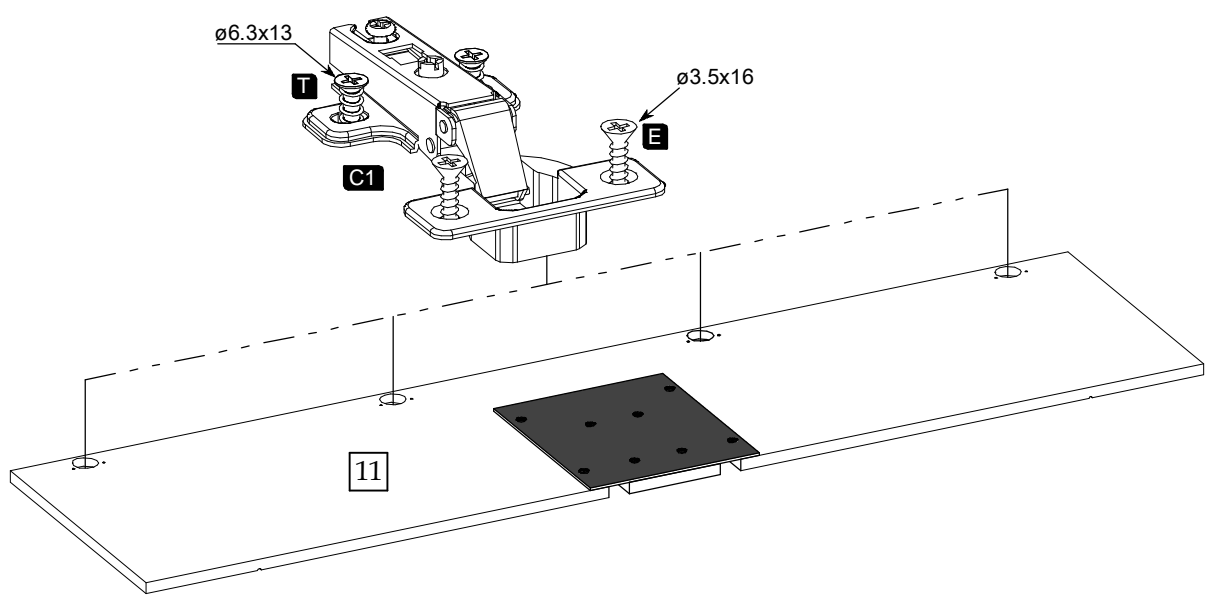
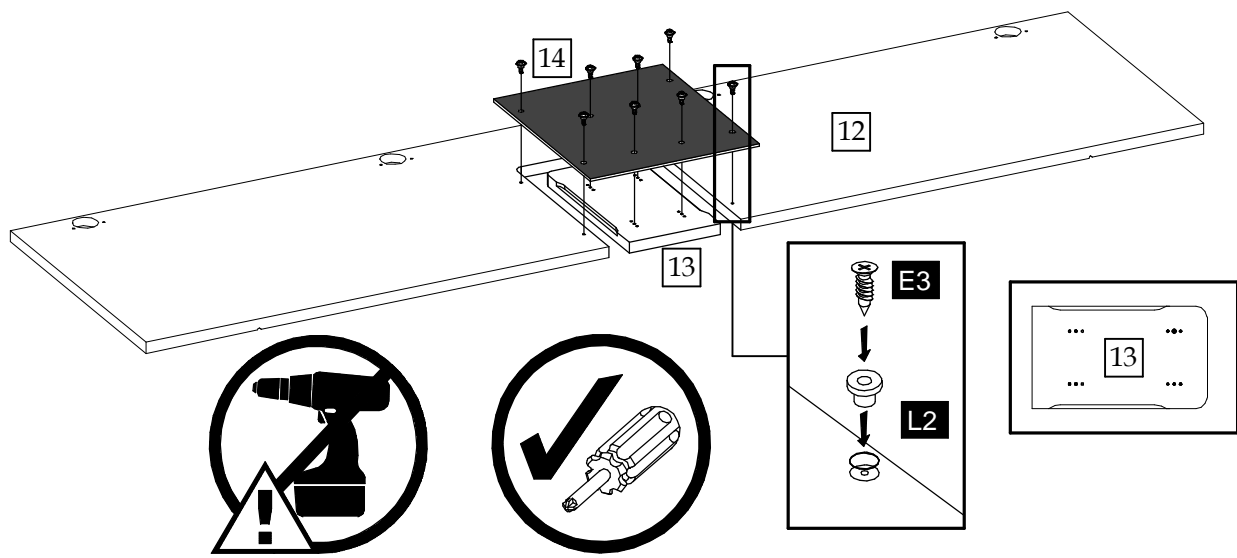
x6

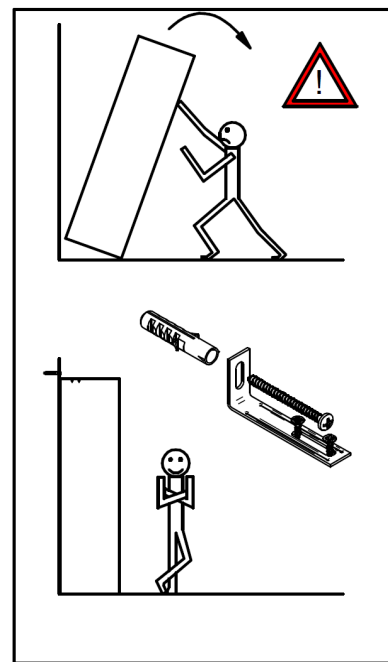
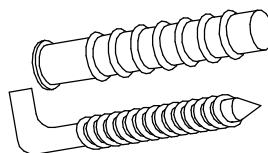
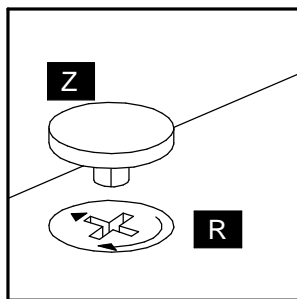
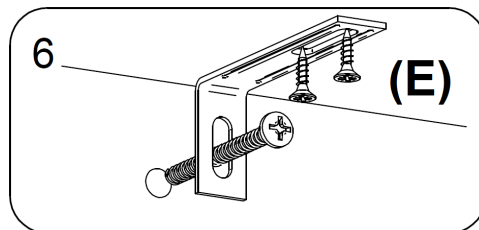
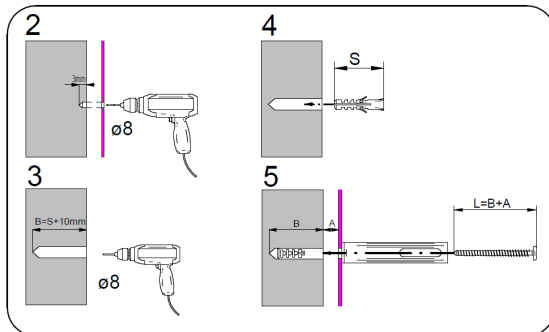
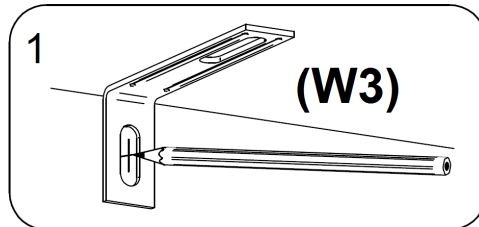
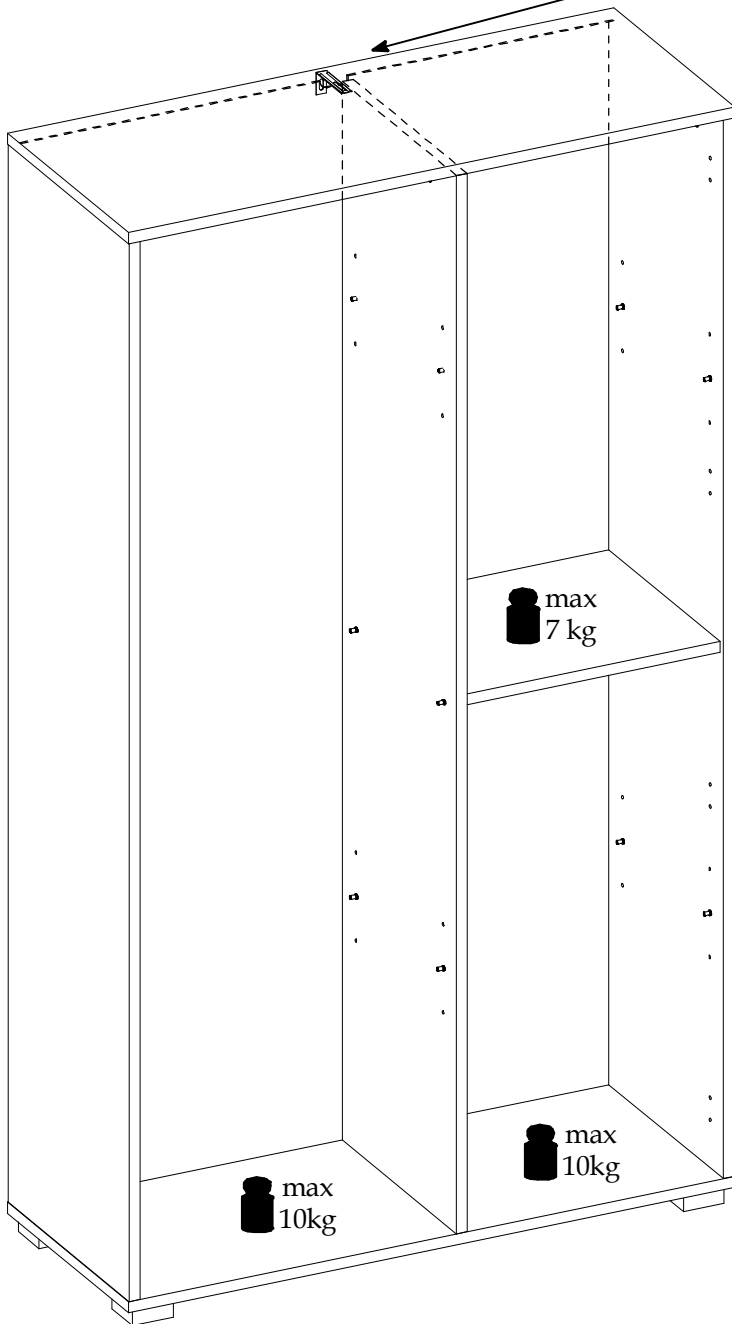
ø3.5x16

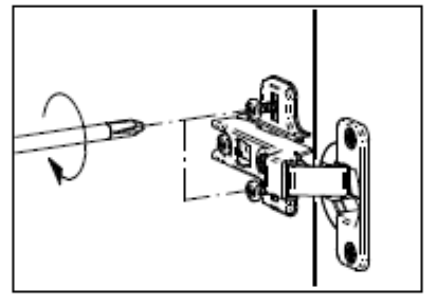
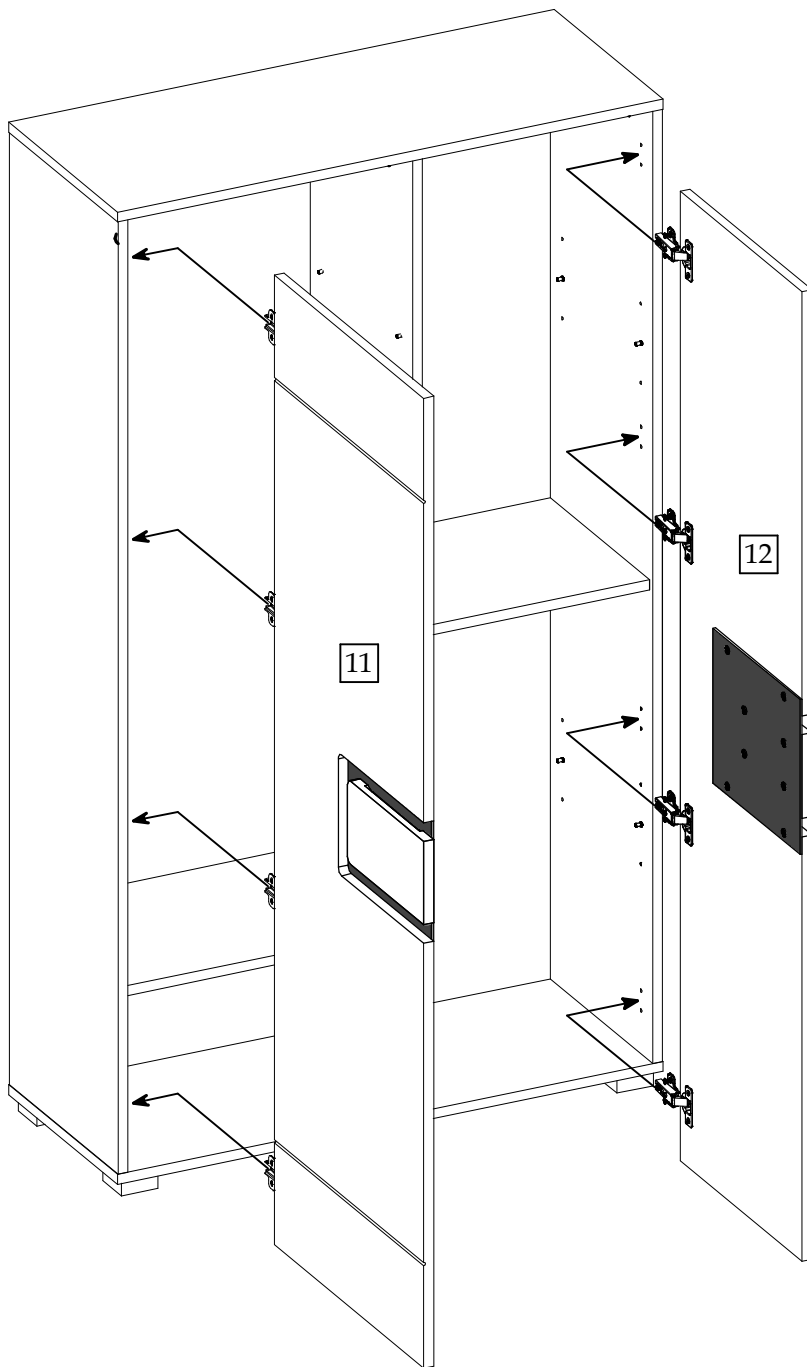


9









<p>+ 2 mm - 2 mm</p>	<p>+ 3 mm - 1 mm</p>	<p>+ 5 mm - 1,5 mm</p>

