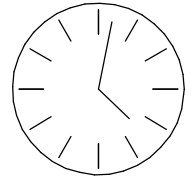
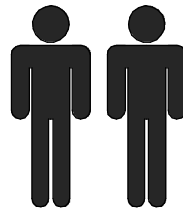
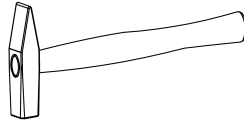
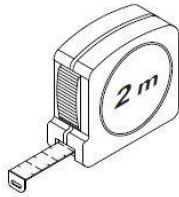
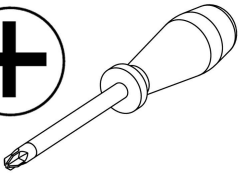
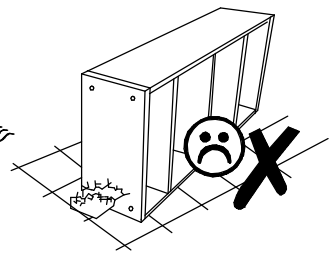
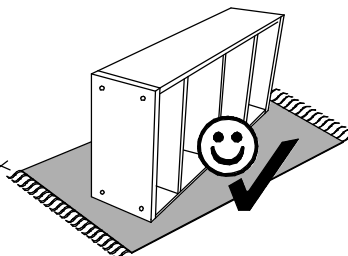
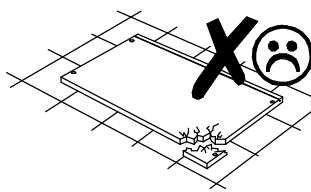
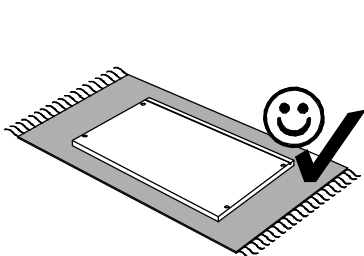
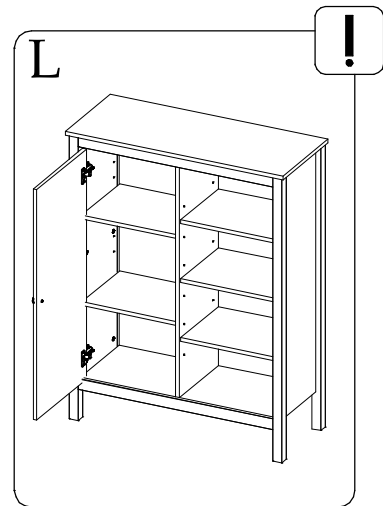
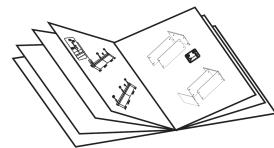
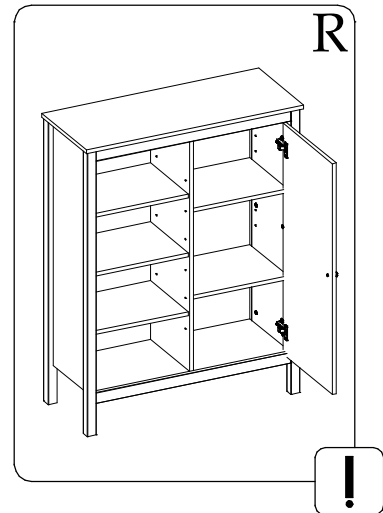
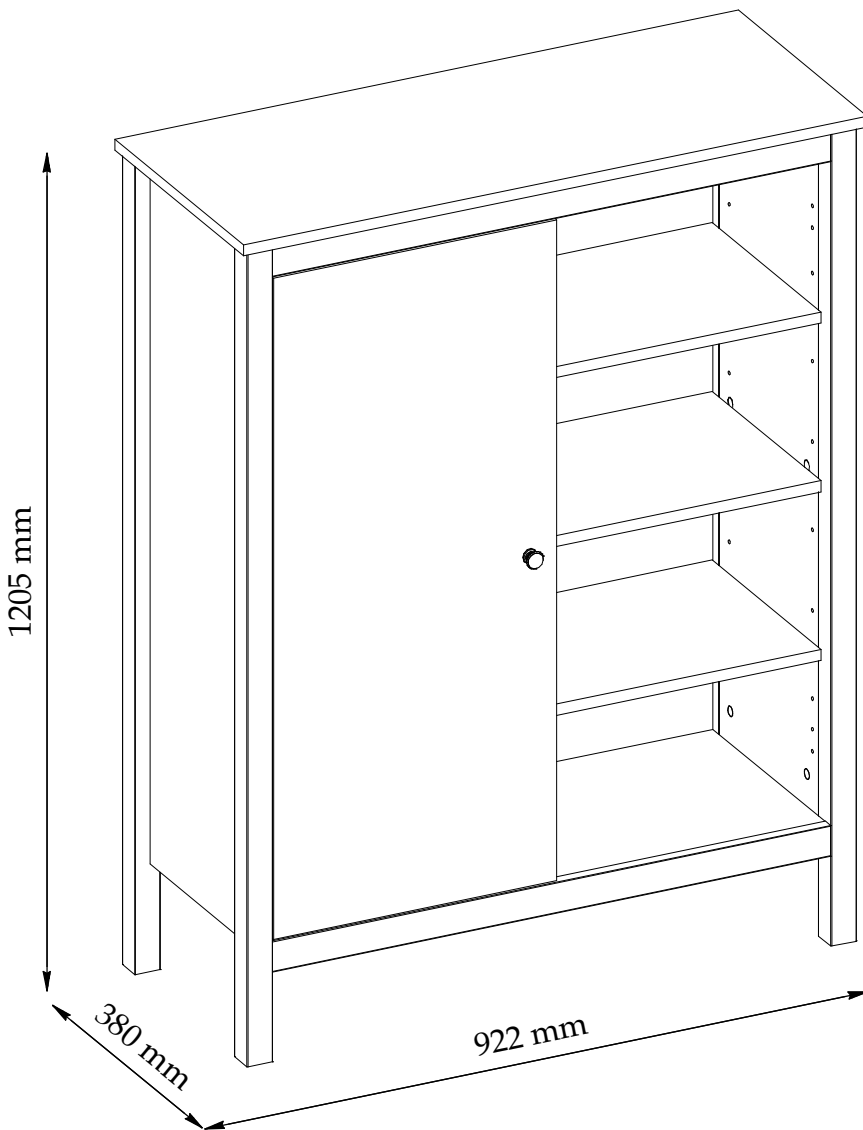
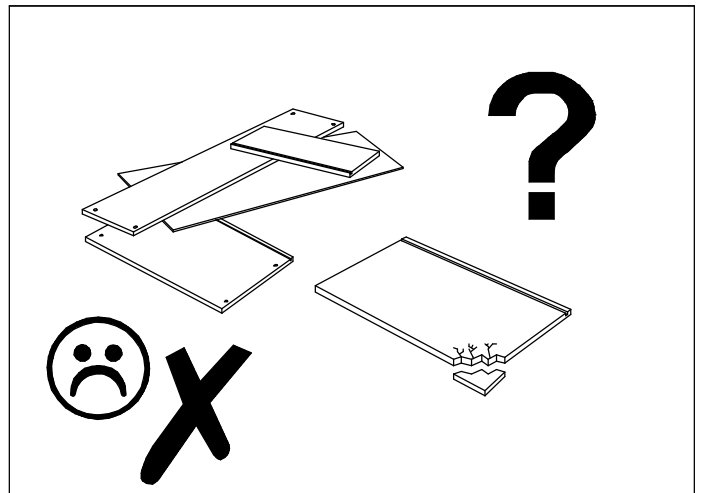
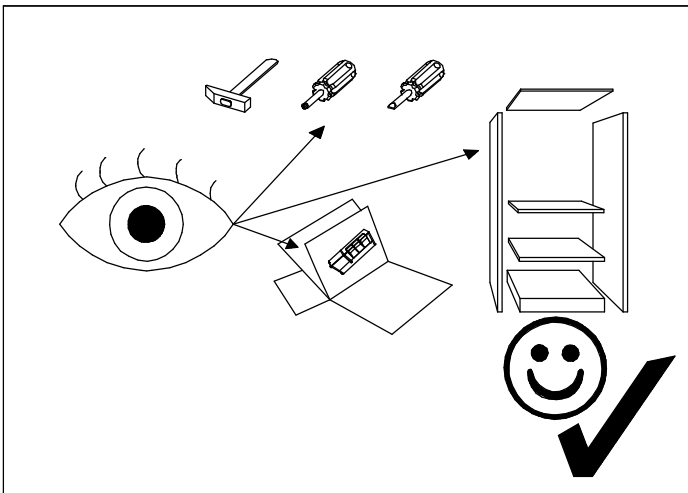
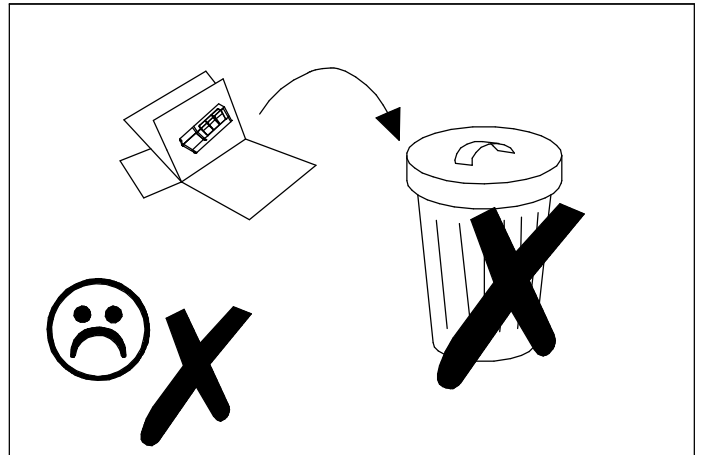
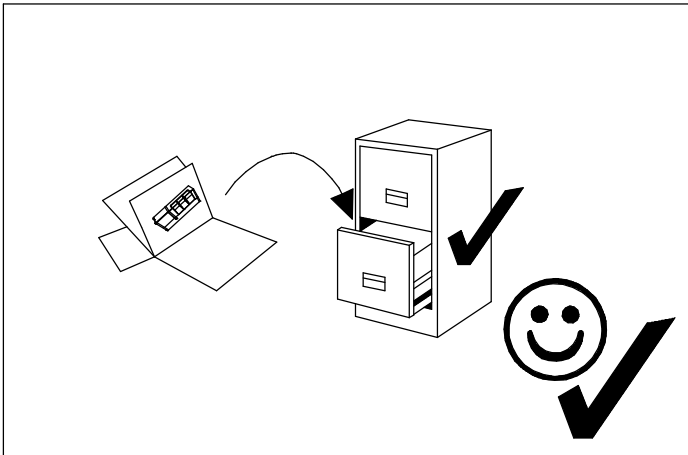
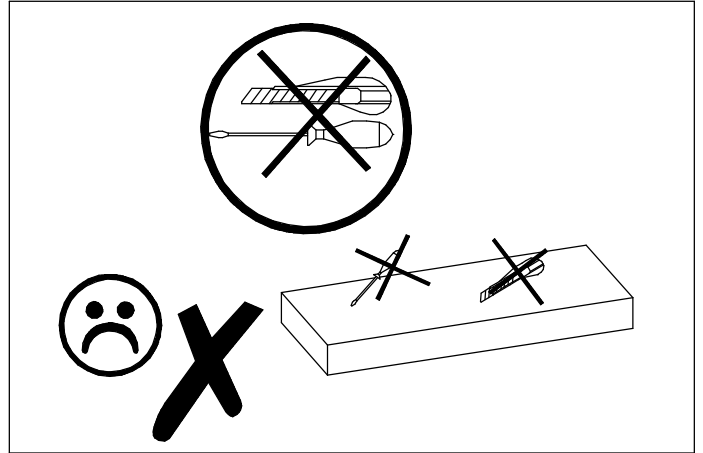
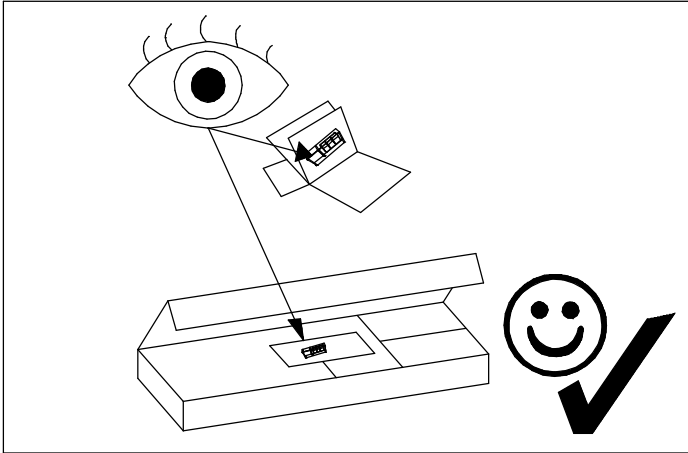


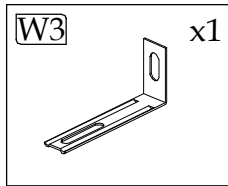
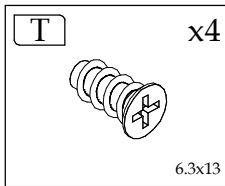
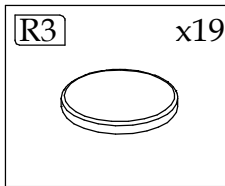
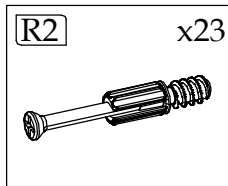
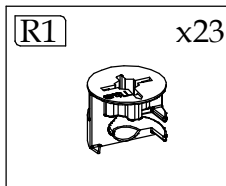
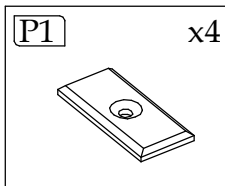
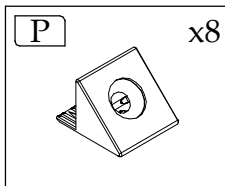
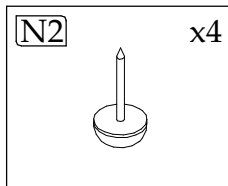
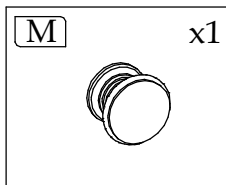
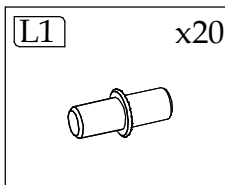
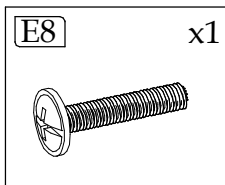
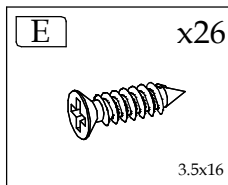
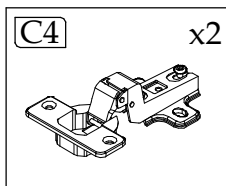
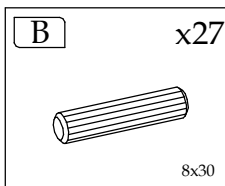
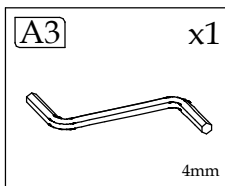
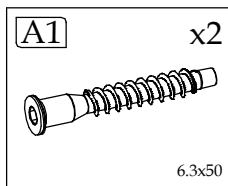
PALMER C



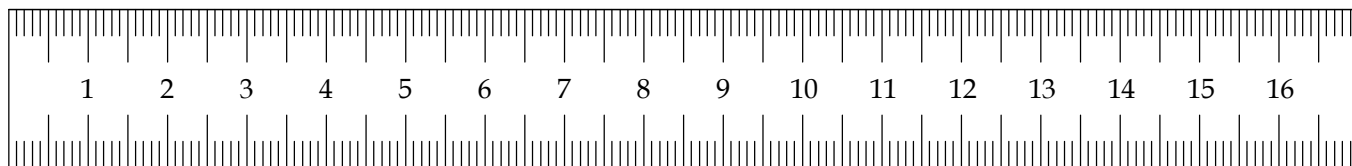
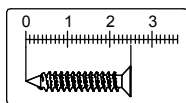
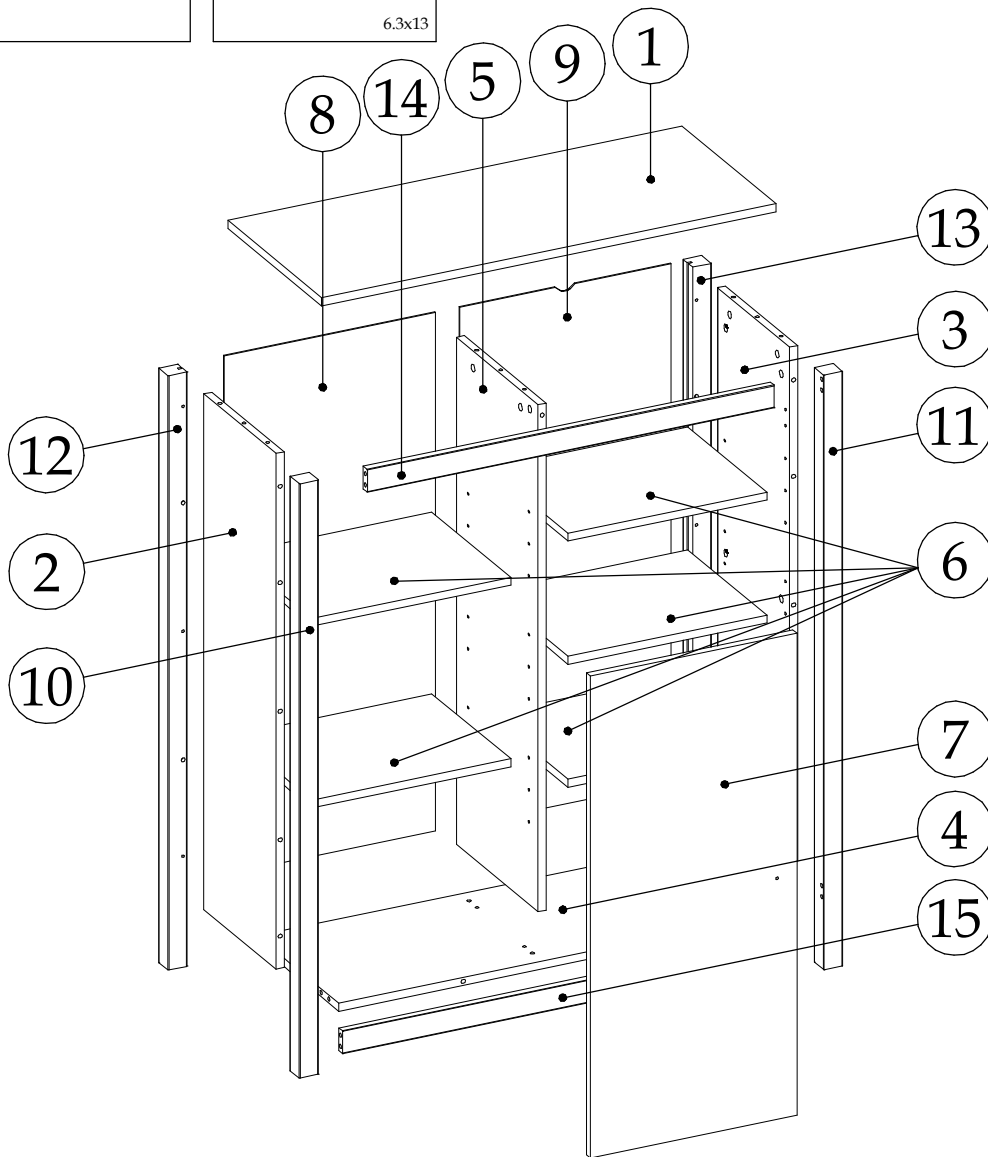
100 min





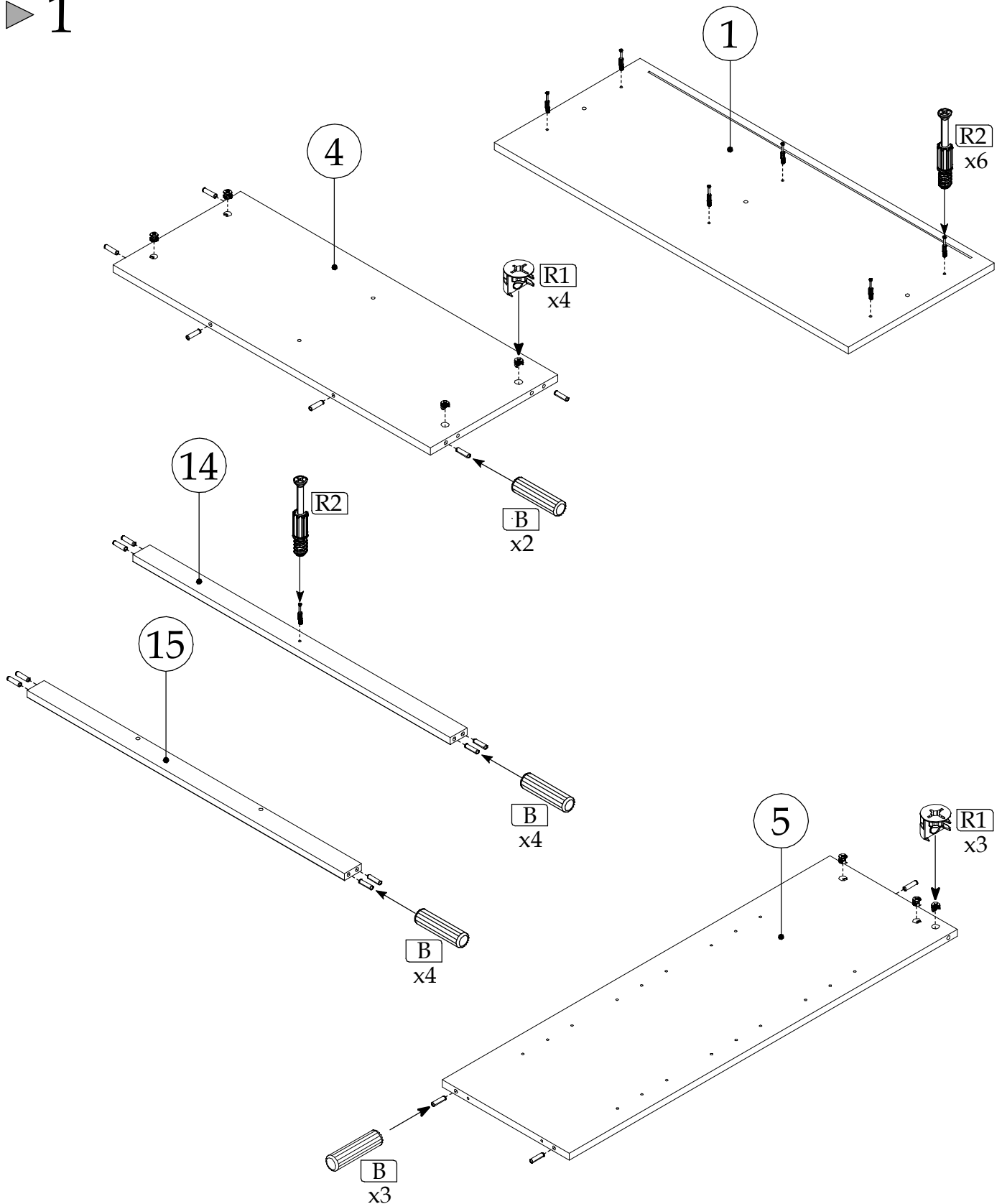


Element symbol	Measurements				Code	Paket
1	922	379,5	16	1	1002	1/2
2	1027	293	16	1	1001	2/2
3	1027	293	16	1	1020	2/2
4	826	331	16	1	1005	1/2
5	1010	331	16	1	1022	2/2
6	404	320	16	5		1/2
7	419	960	16	1	1029	1/2
8	1033	422	16	1		1/2
9	1033	422	16	1	1006_v	1/2
10	1184	38	38	1	3001	1/2
11	1184	38	38	1	3002	1/2
12	1184	38	38	1	3003	1/2
13	1184	38	38	1	3004	1/2
14	826	45	16	1	3005	2/2
15	826	45	16	1	3006	2/2

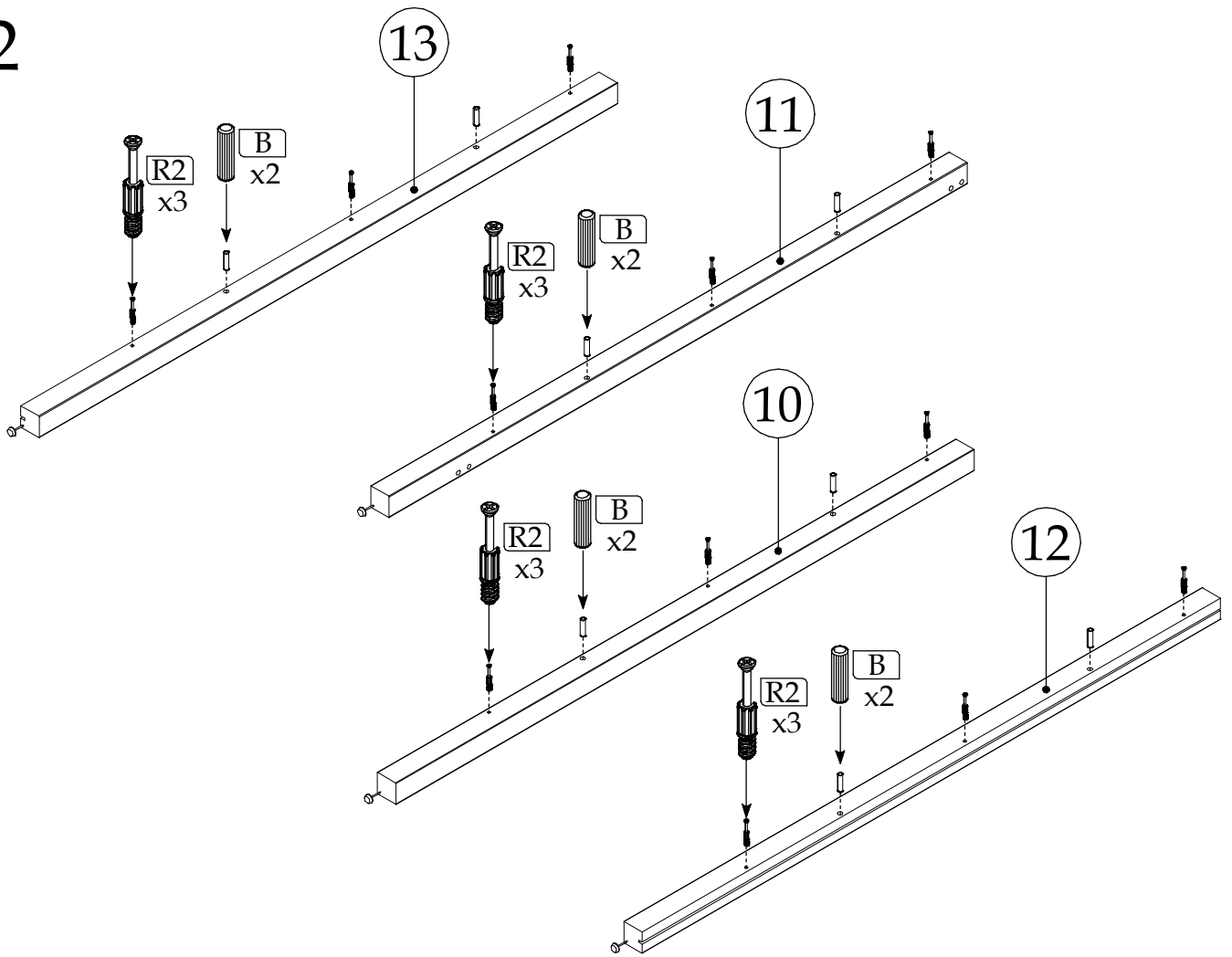




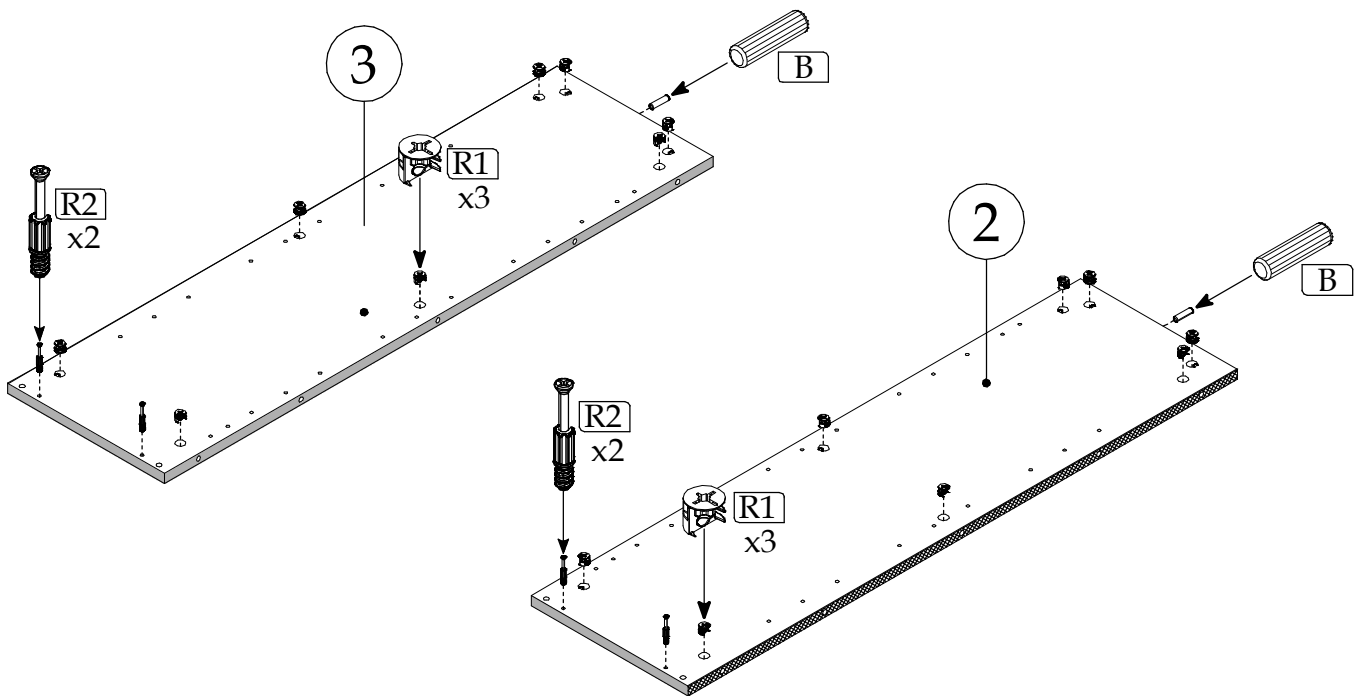
► 1



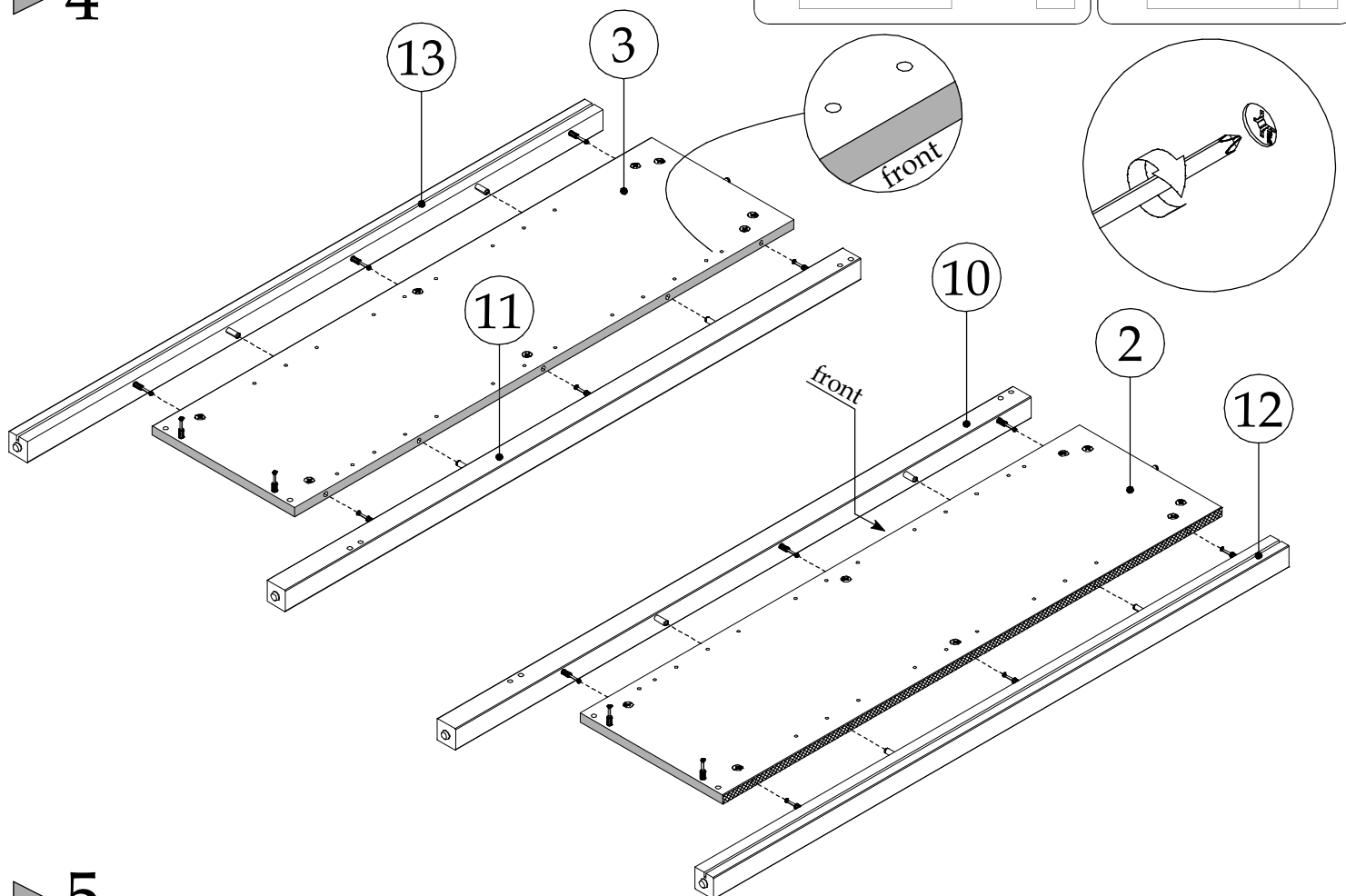
▶ 2



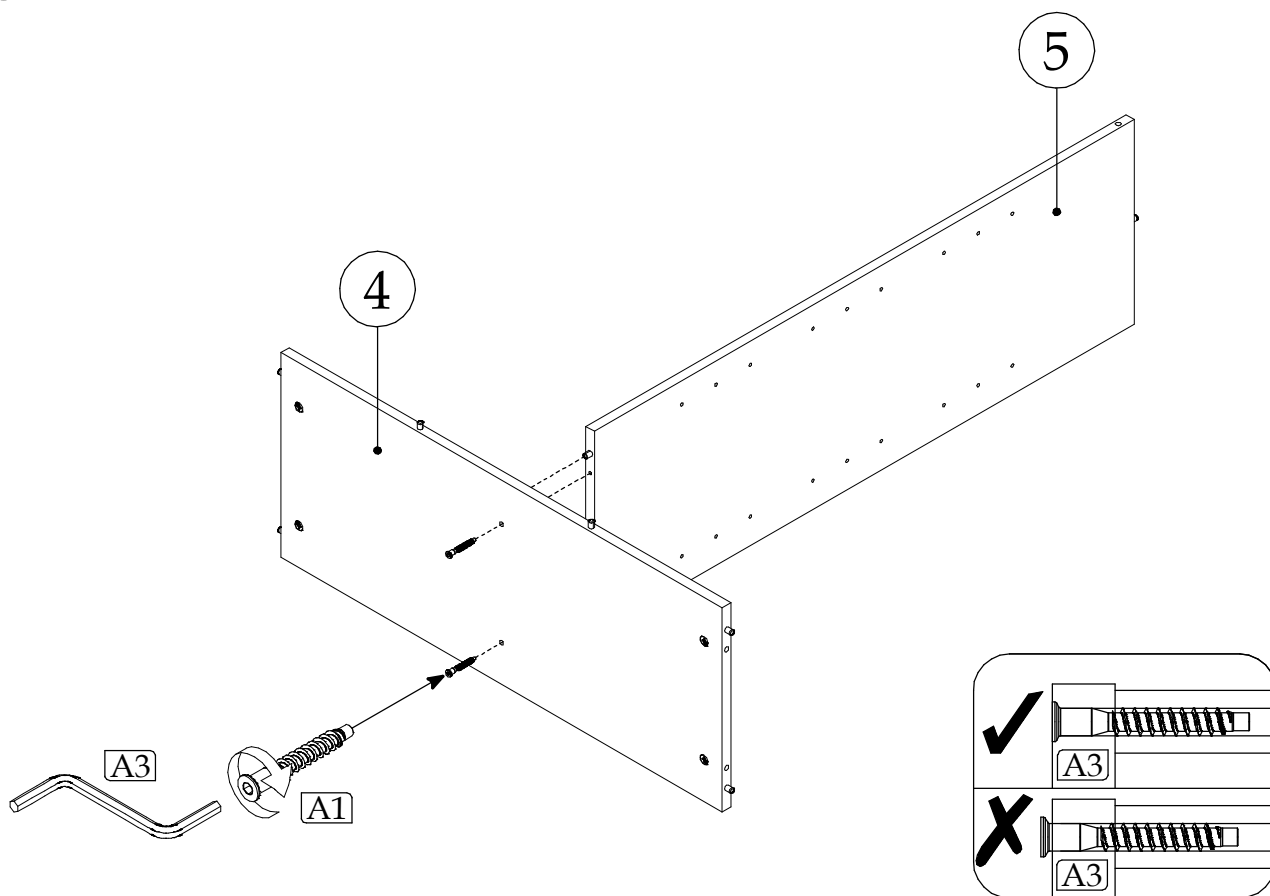
▶ 3



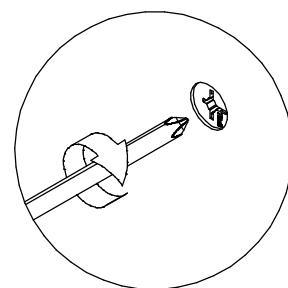
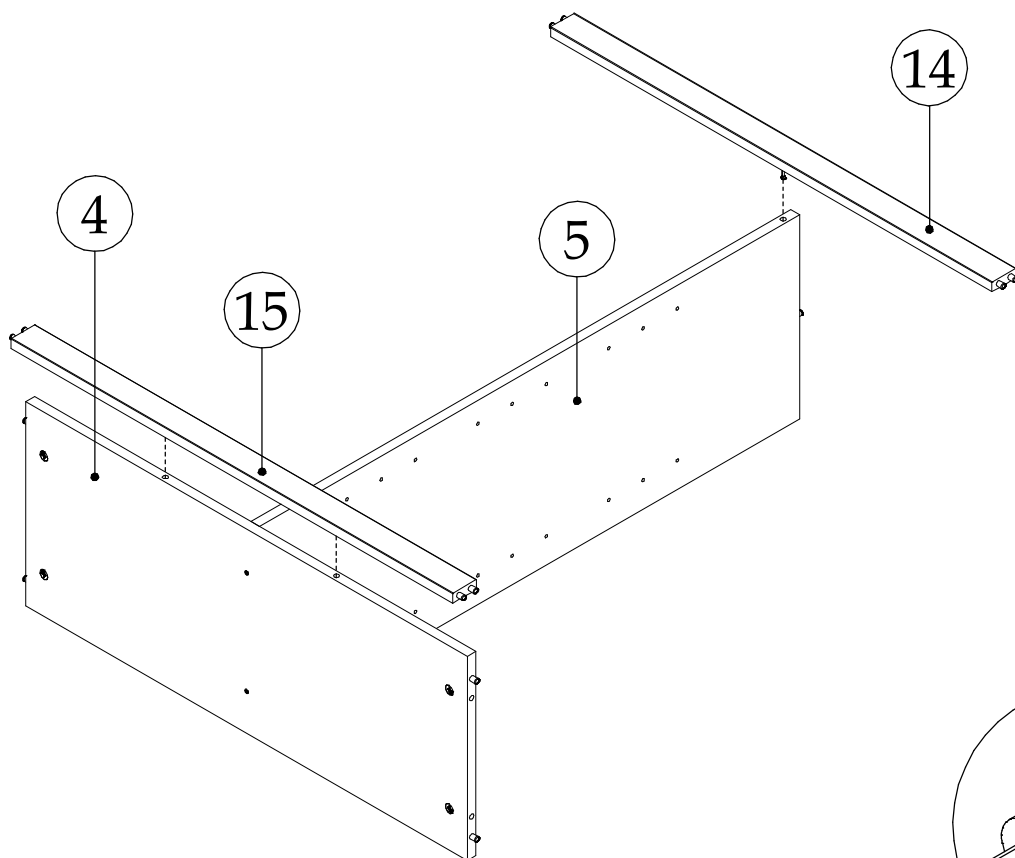
▶ 4



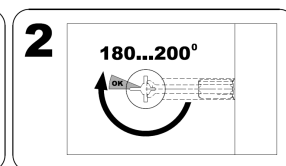
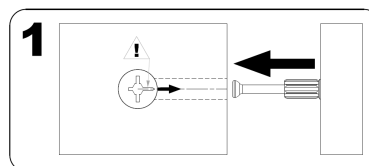
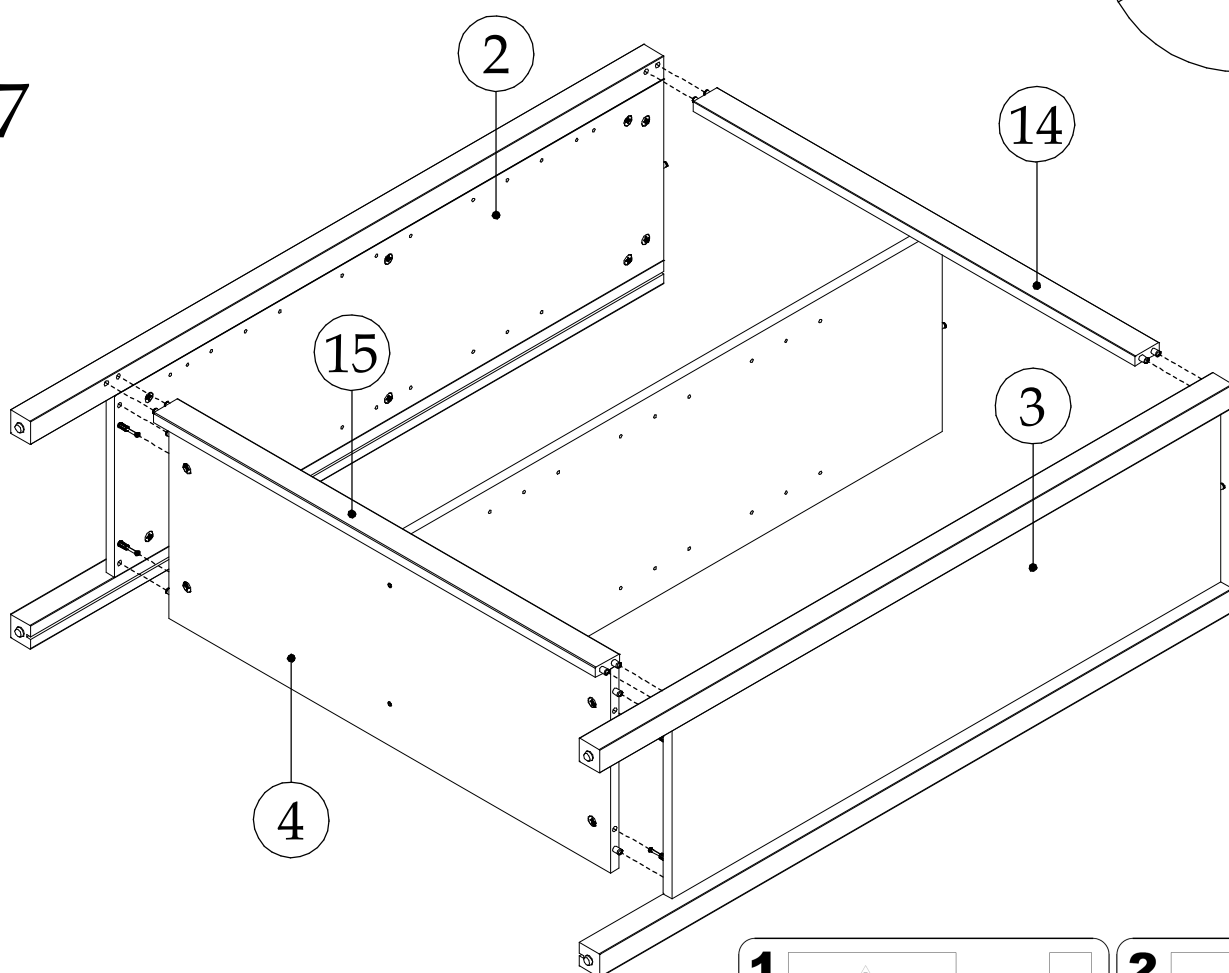
▶ 5



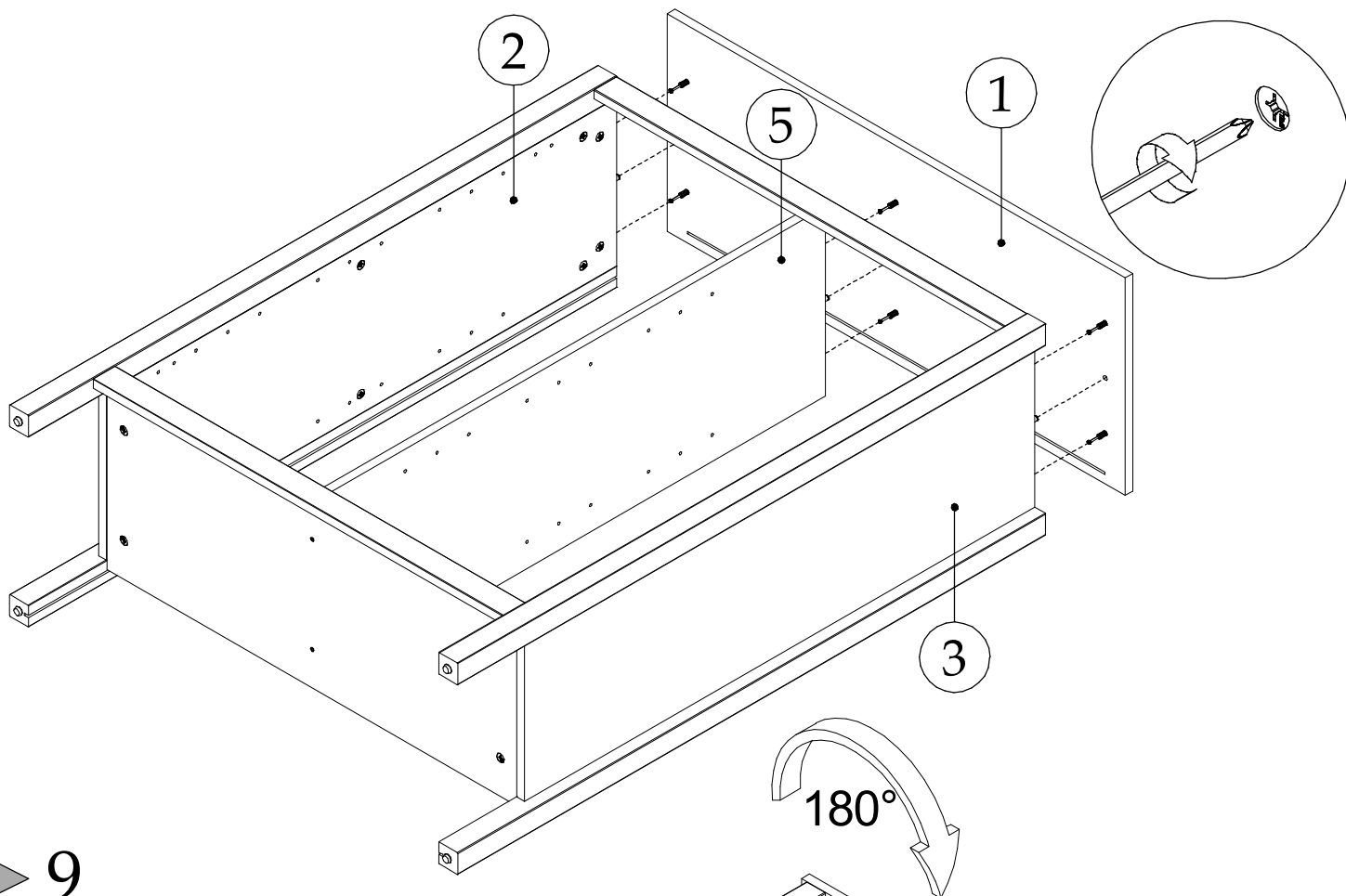
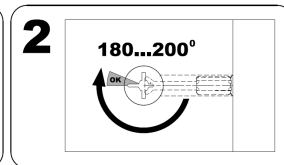
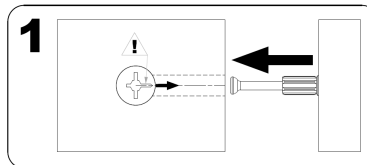
▶ 6



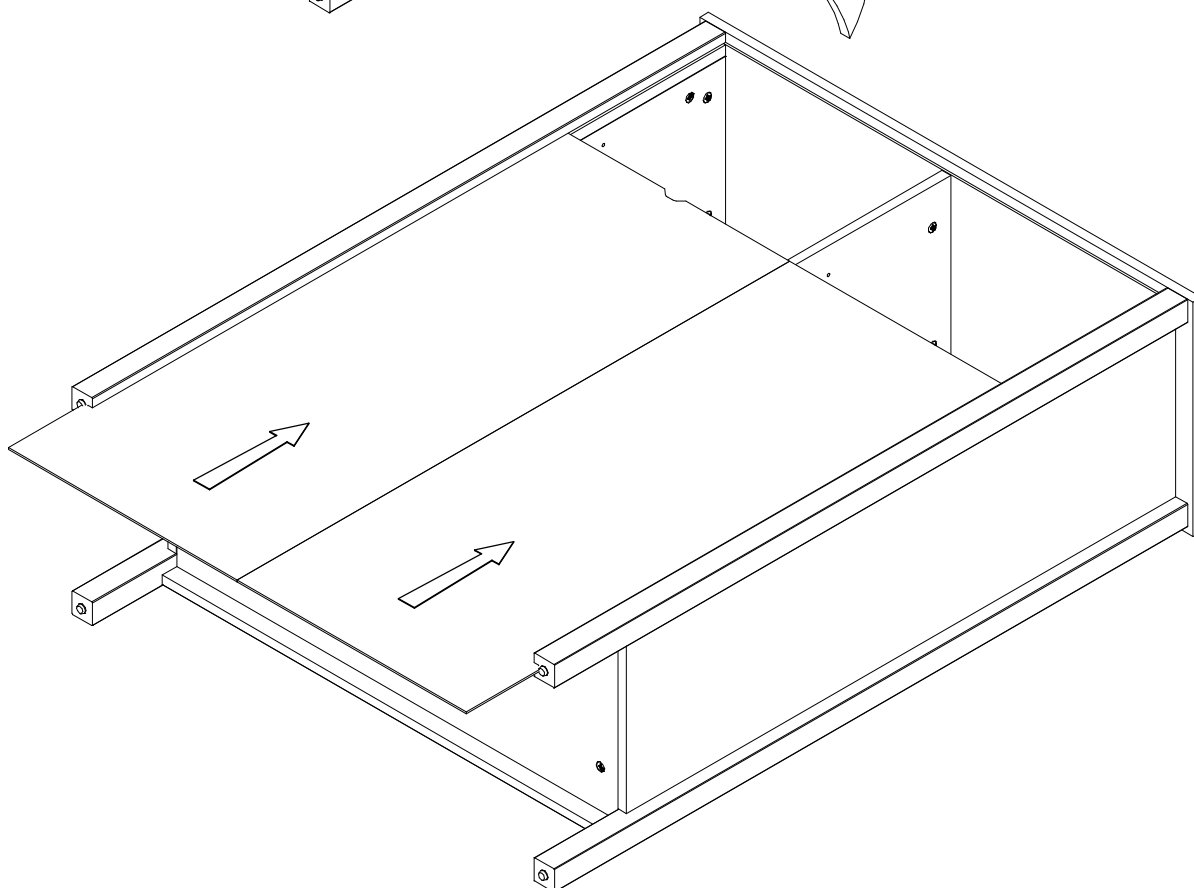
▶ 7



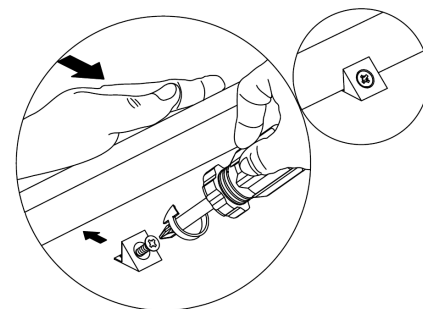
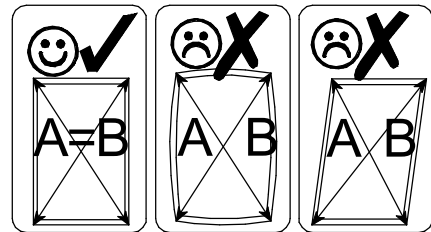
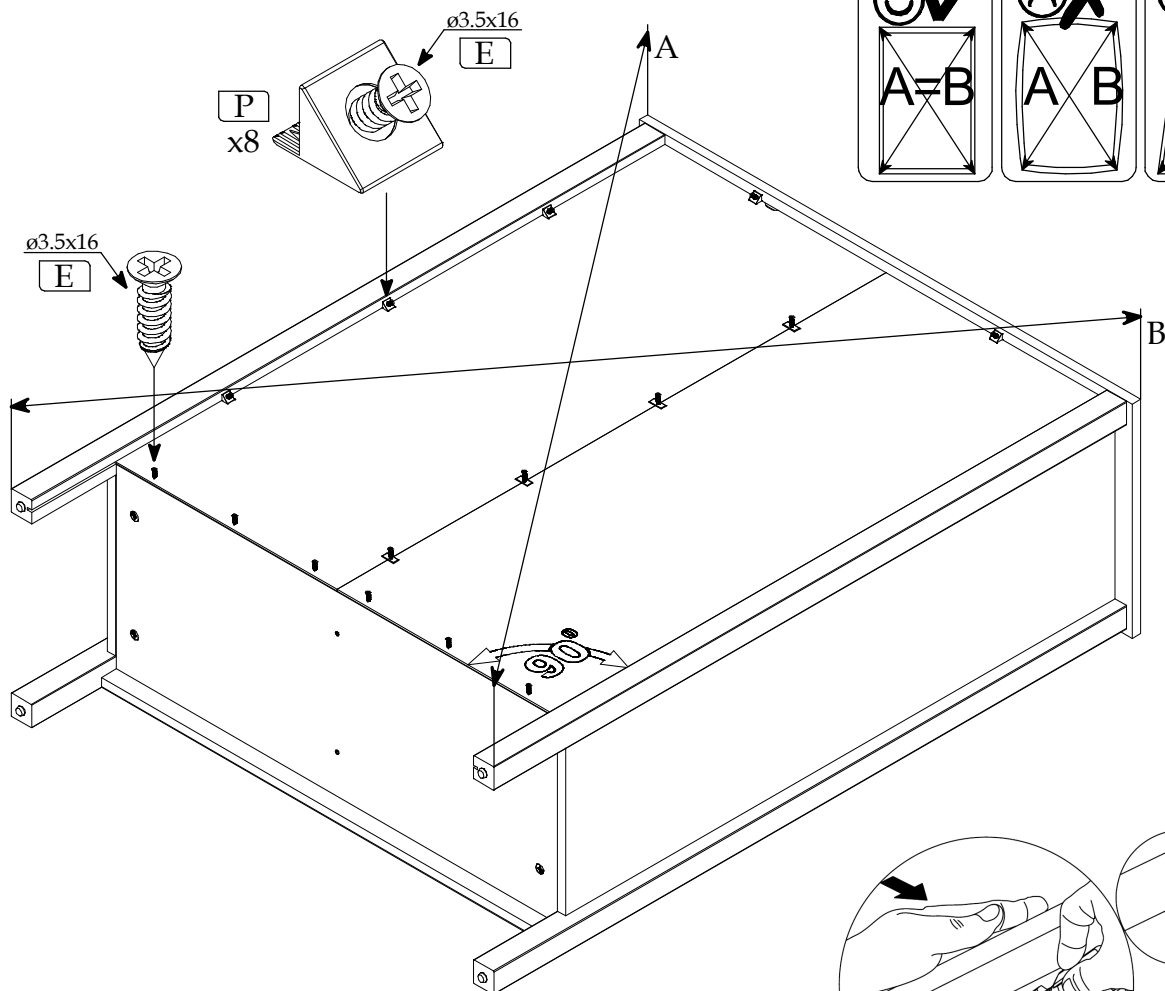
▶ 8



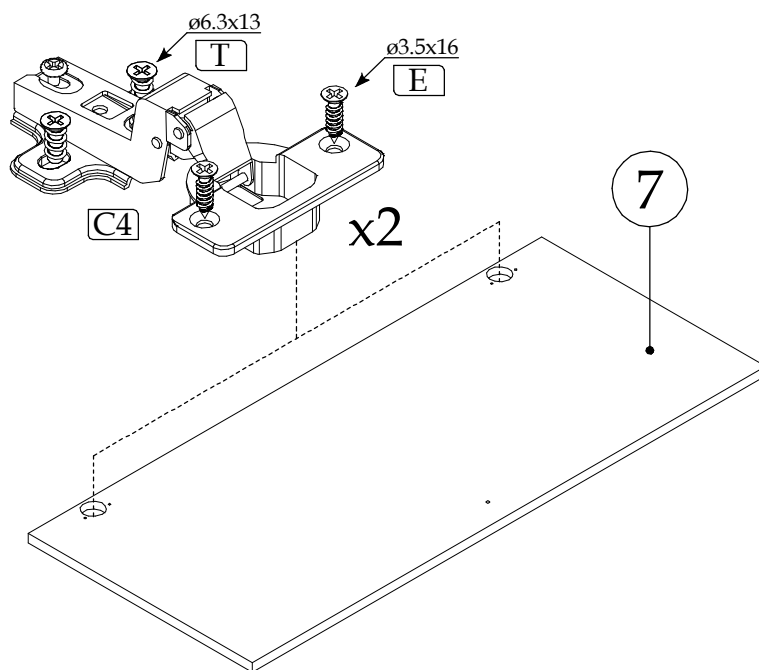
▶ 9



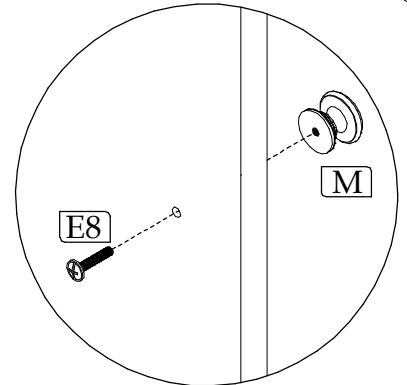
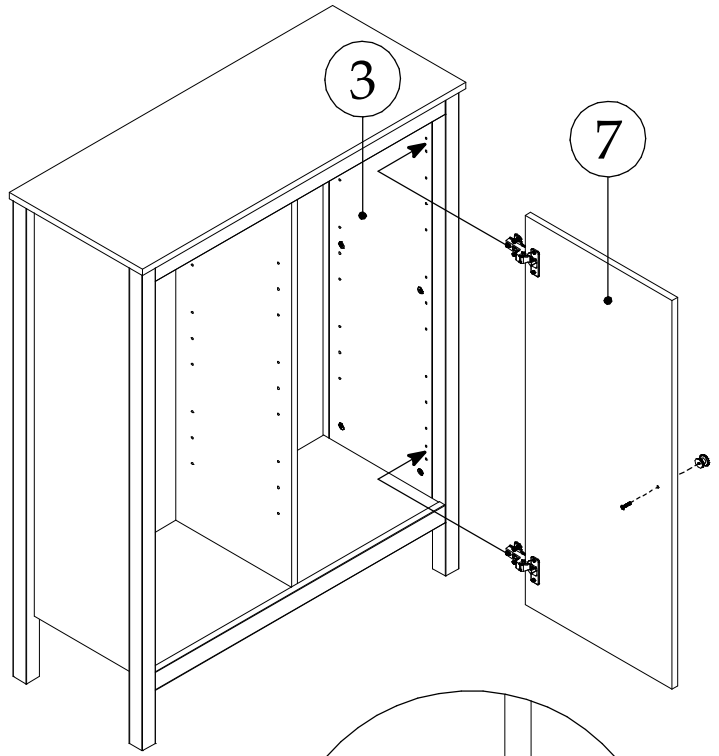
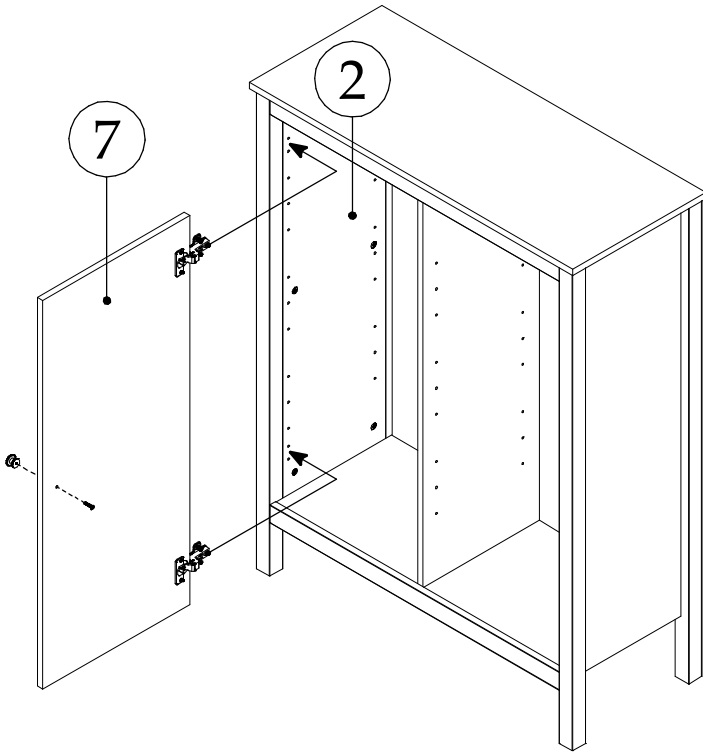
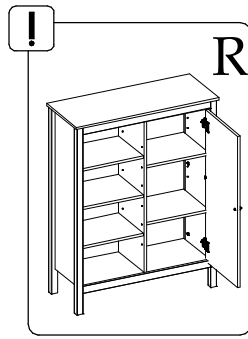
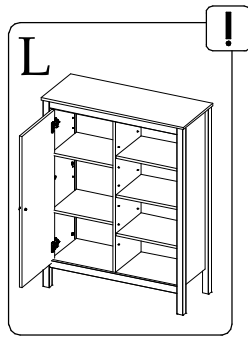
▶ 10



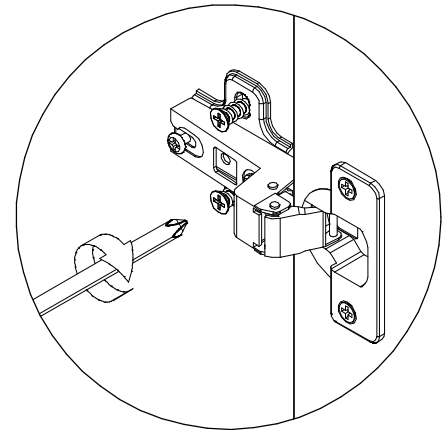
▶ 11



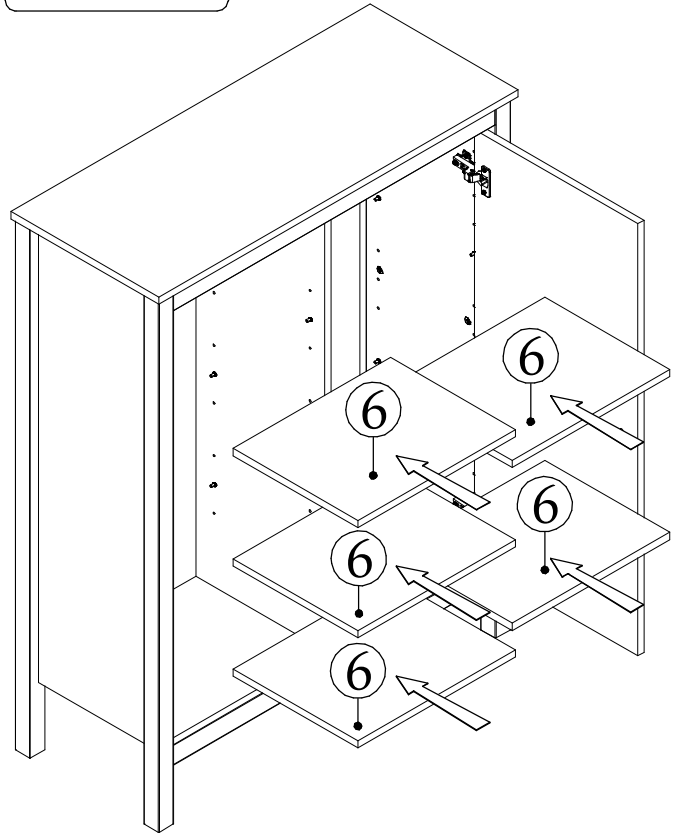
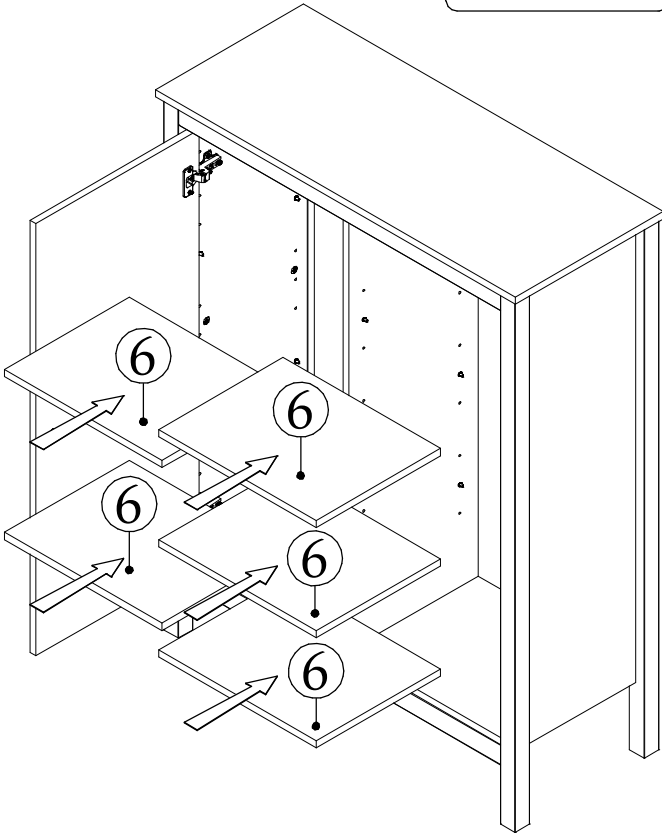
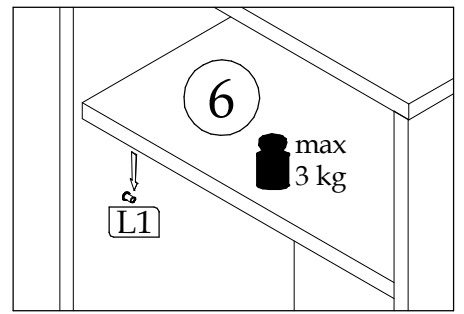
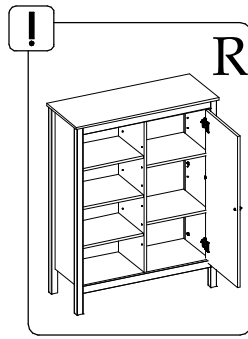
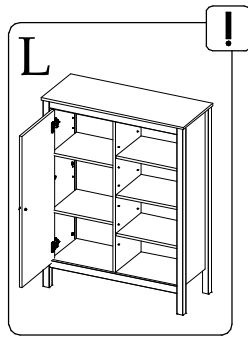
► 12



<p>+ 2 mm - 2 mm</p>	<p>+ 3 mm - 1 mm</p>	<p>+ 5 mm - 1.5 mm</p>



► 13



► 14

