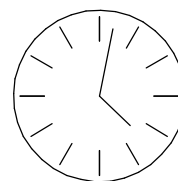
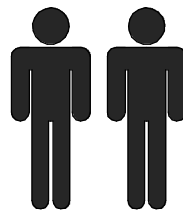
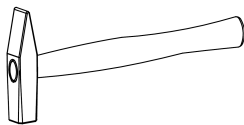
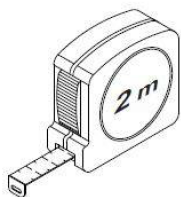
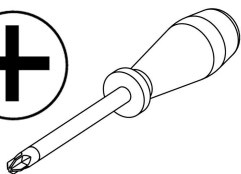
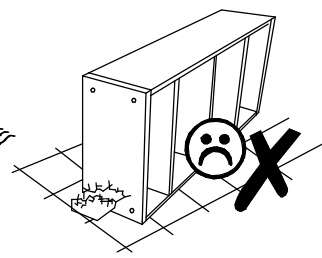
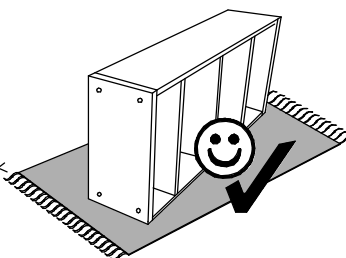
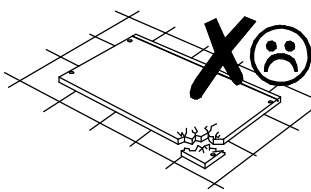
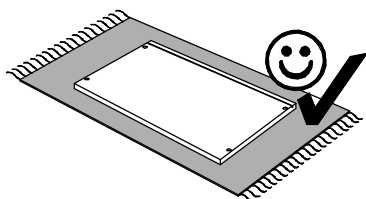
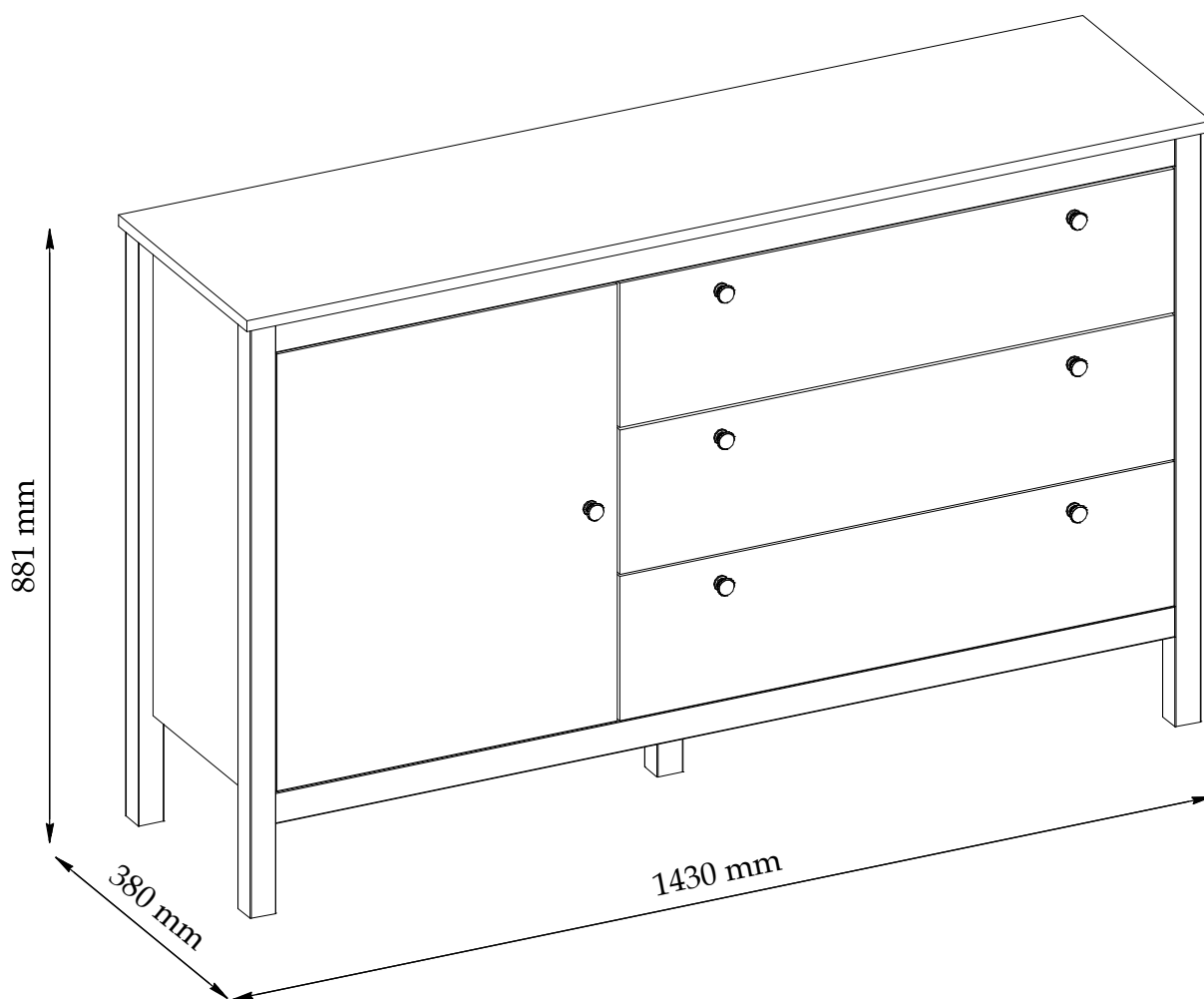
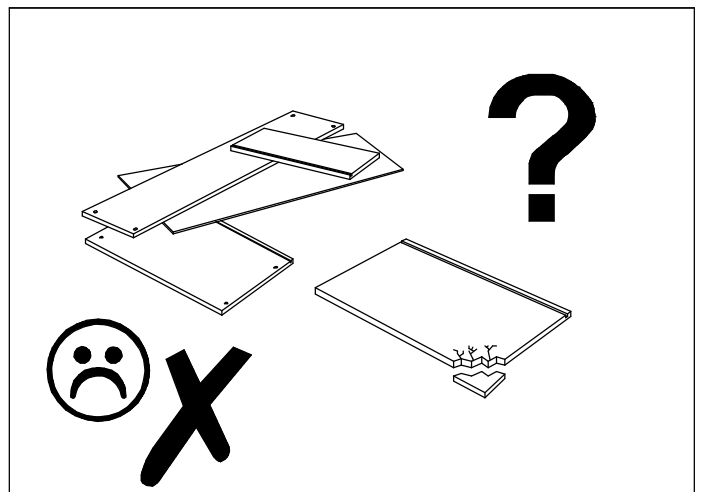
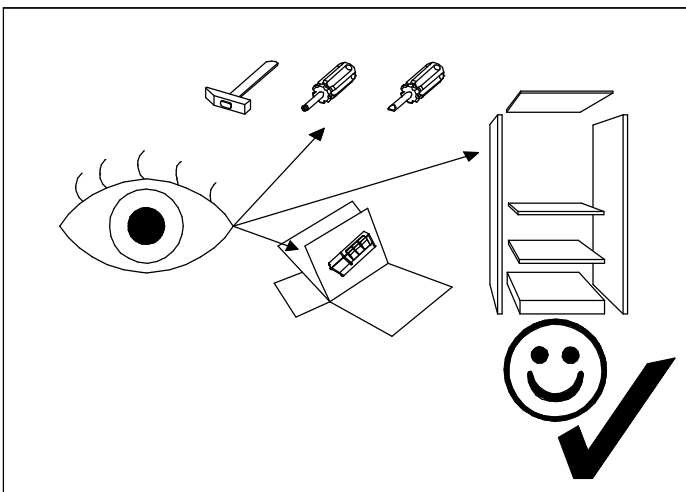
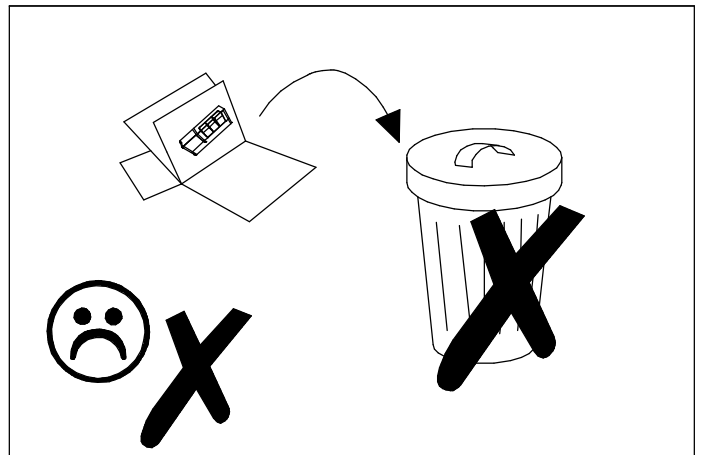
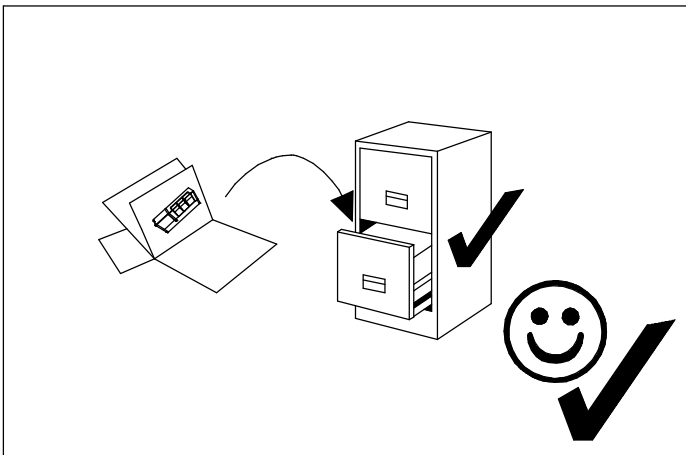
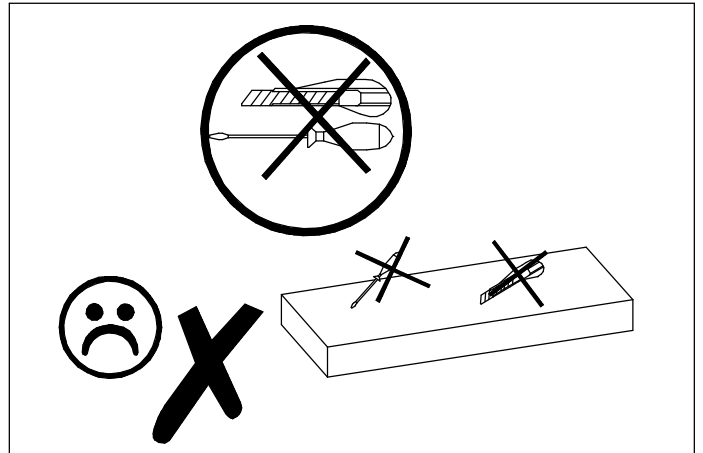
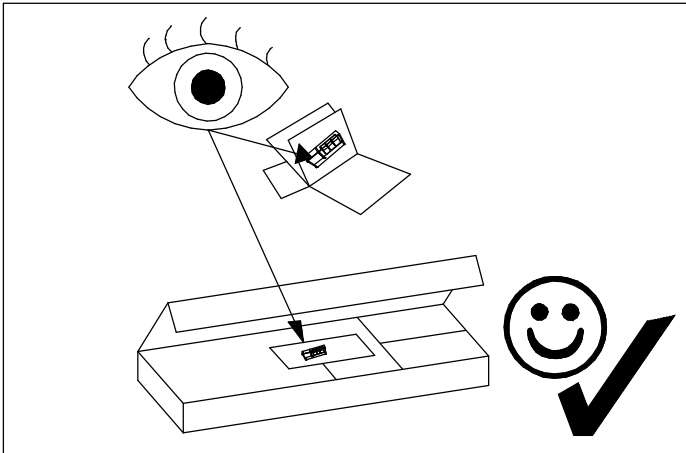


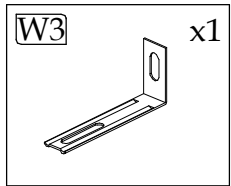
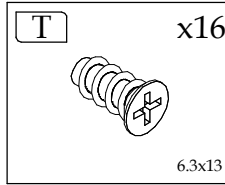
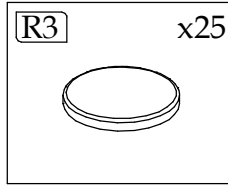
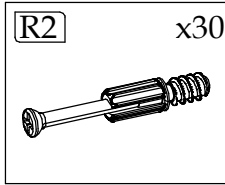
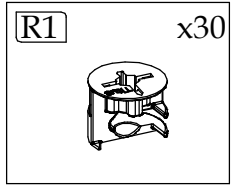
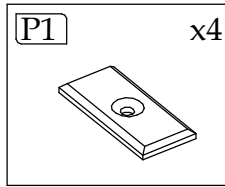
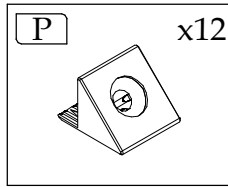
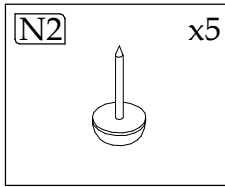
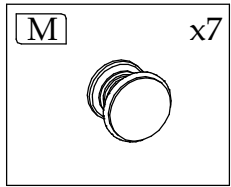
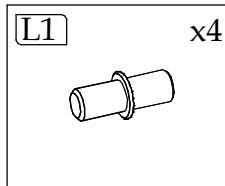
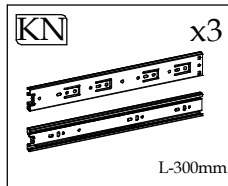
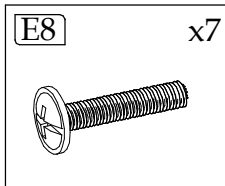
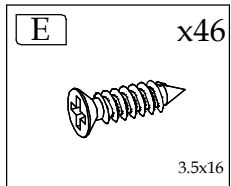
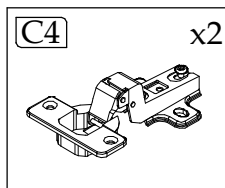
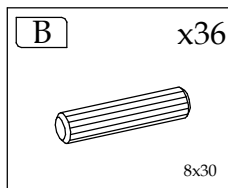
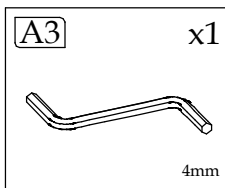
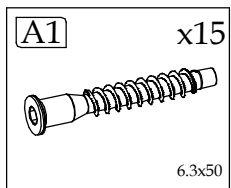
# PALMER G



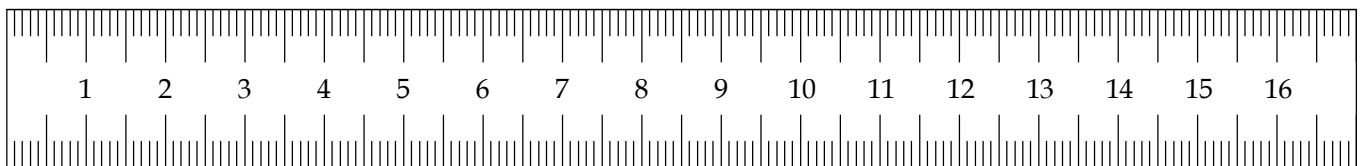
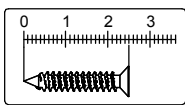
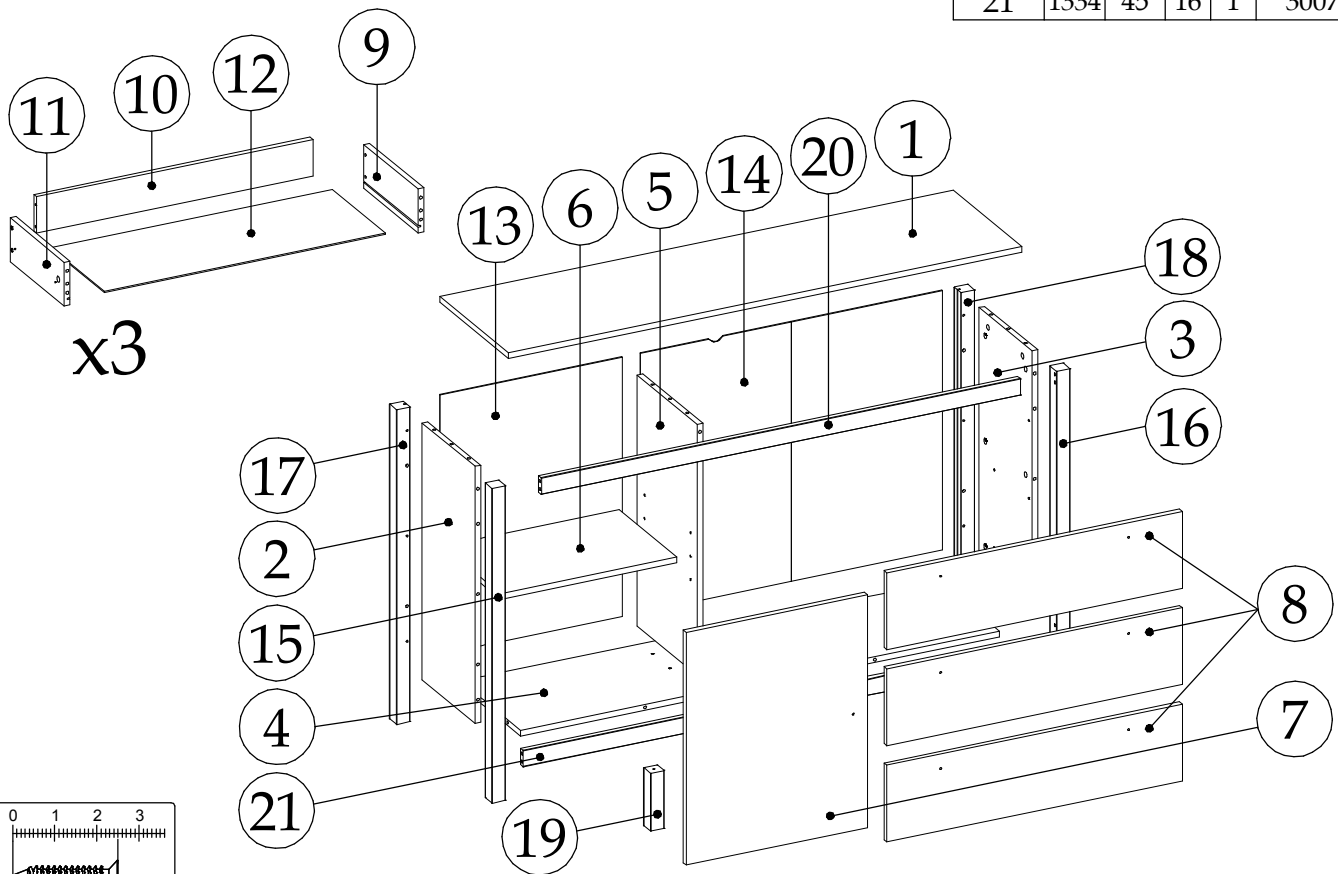
120 min

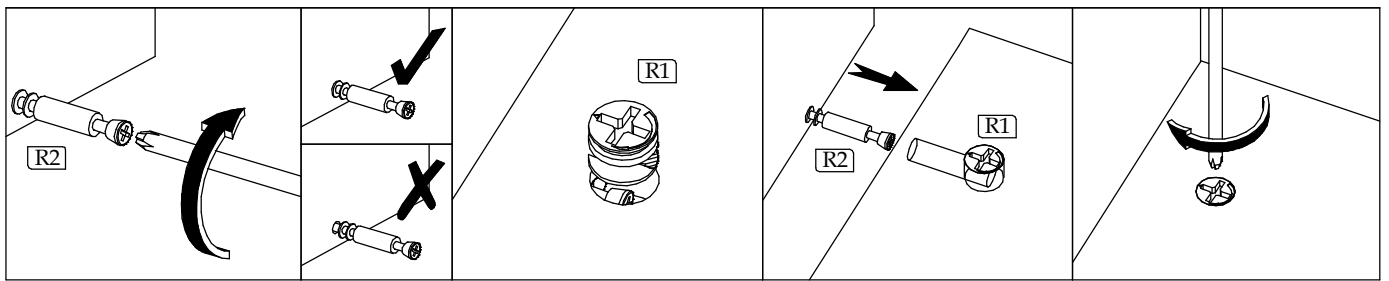




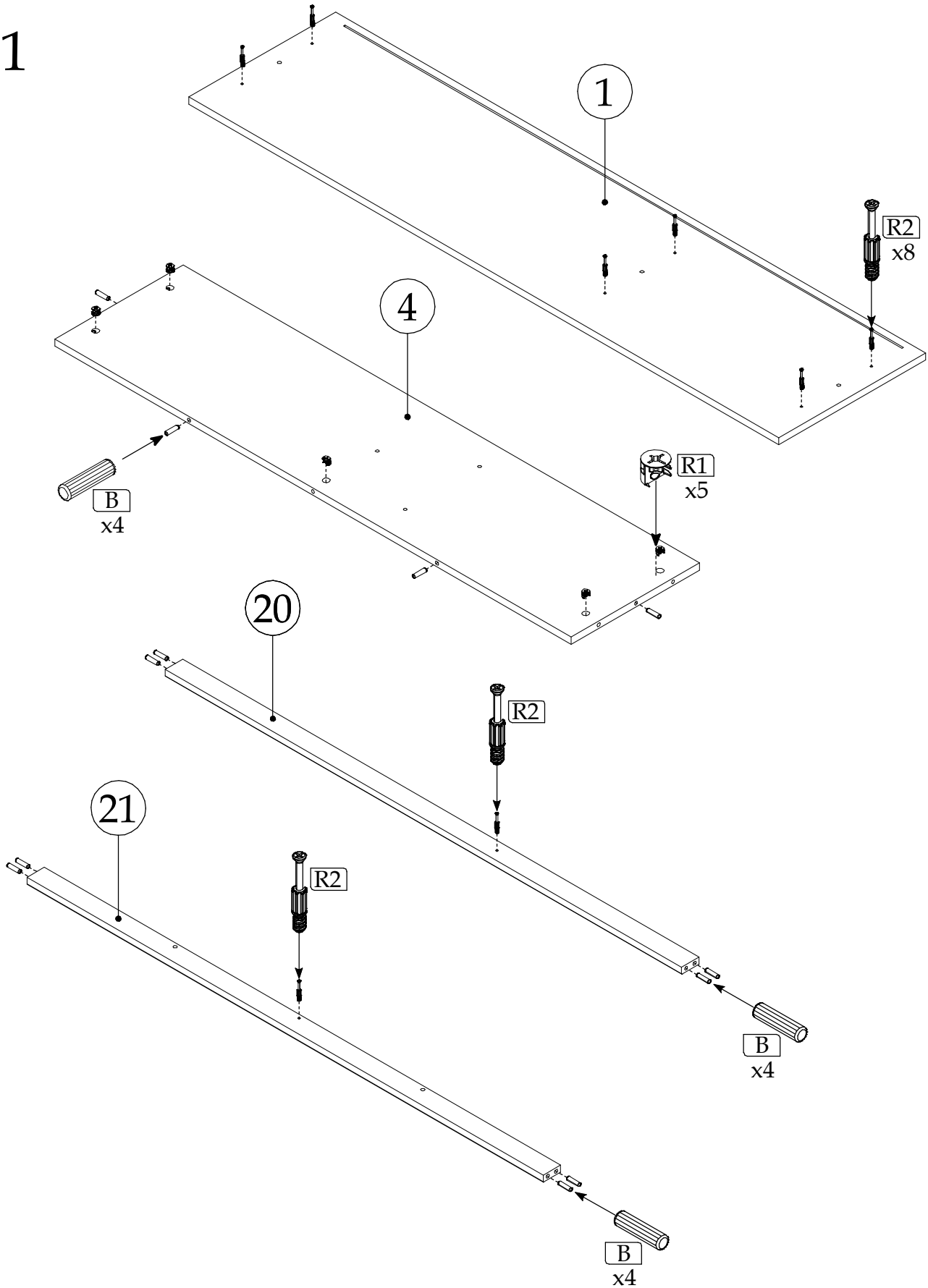


Element symbol	Measurements				Code	Paket
1	1430	379,5	16	1	1002	1/2
2	703	293	16	1	1001	1/2
3	703	293	16	1	1020	1/2
4	1334	331	16	1	1005	1/2
5	686	331	16	1	1022	1/2
6	492	320	16	1		1/2
7	505	636	16	1	1030	2/2
8	823	210	16	3	1031	2/2
9	300	120	16	3	1032	1/2
10	768,5	100	16	3	1033	2/2
11	300	120	16	3	1034	1/2
12	782	305	3	3		1/2
13	709	507	3	1		2/2
14	709	840	3	1	1006	2/2
15	860	38	38	1	3001	2/2
16	860	38	38	1	3002	2/2
17	860	38	38	1	3003	2/2
18	860	38	38	1	3004	2/2
19	158	38	38	1	3005	2/2
20	1334	45	16	1	3006	1/2
21	1334	45	16	1	3007	1/2

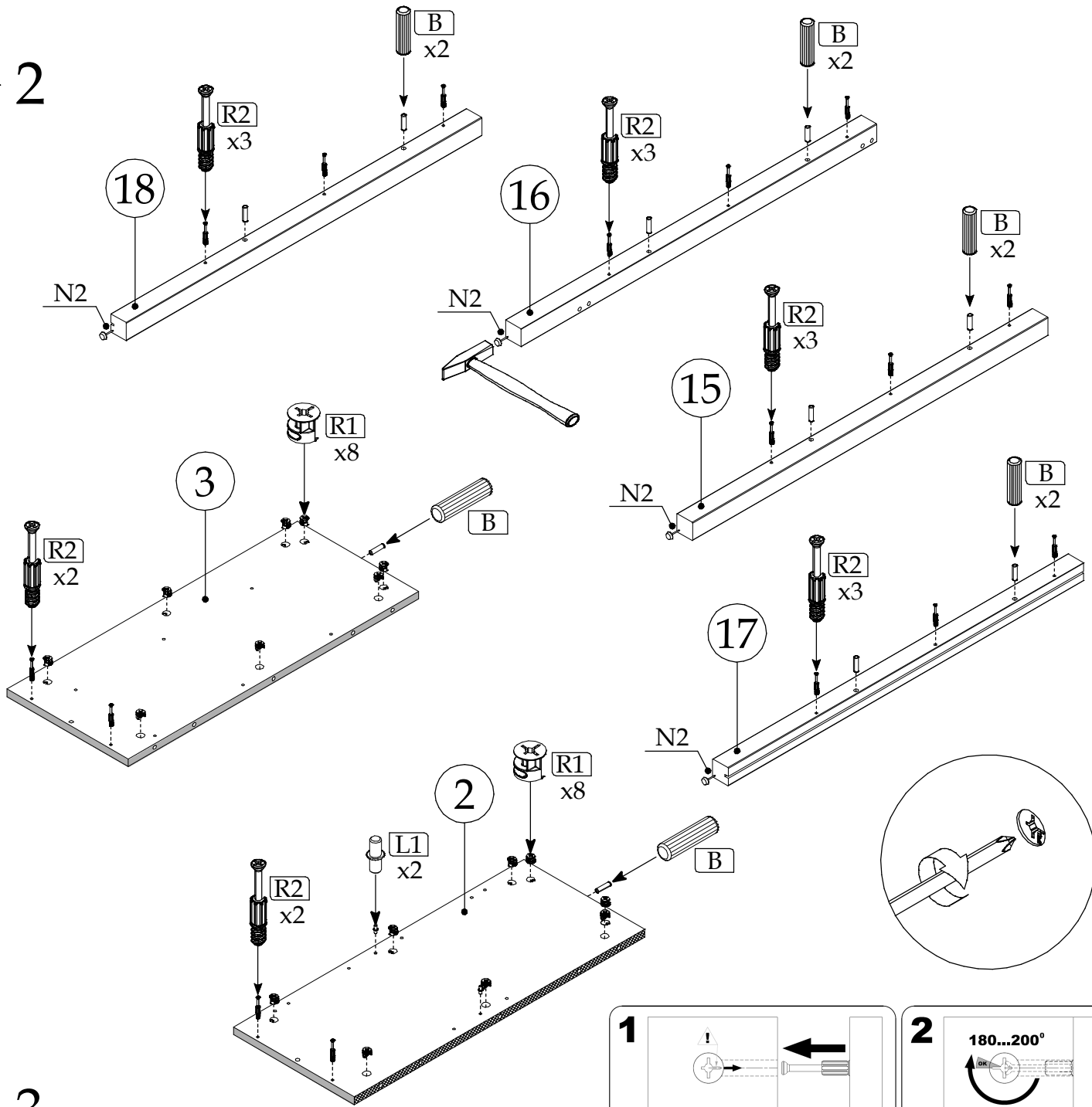




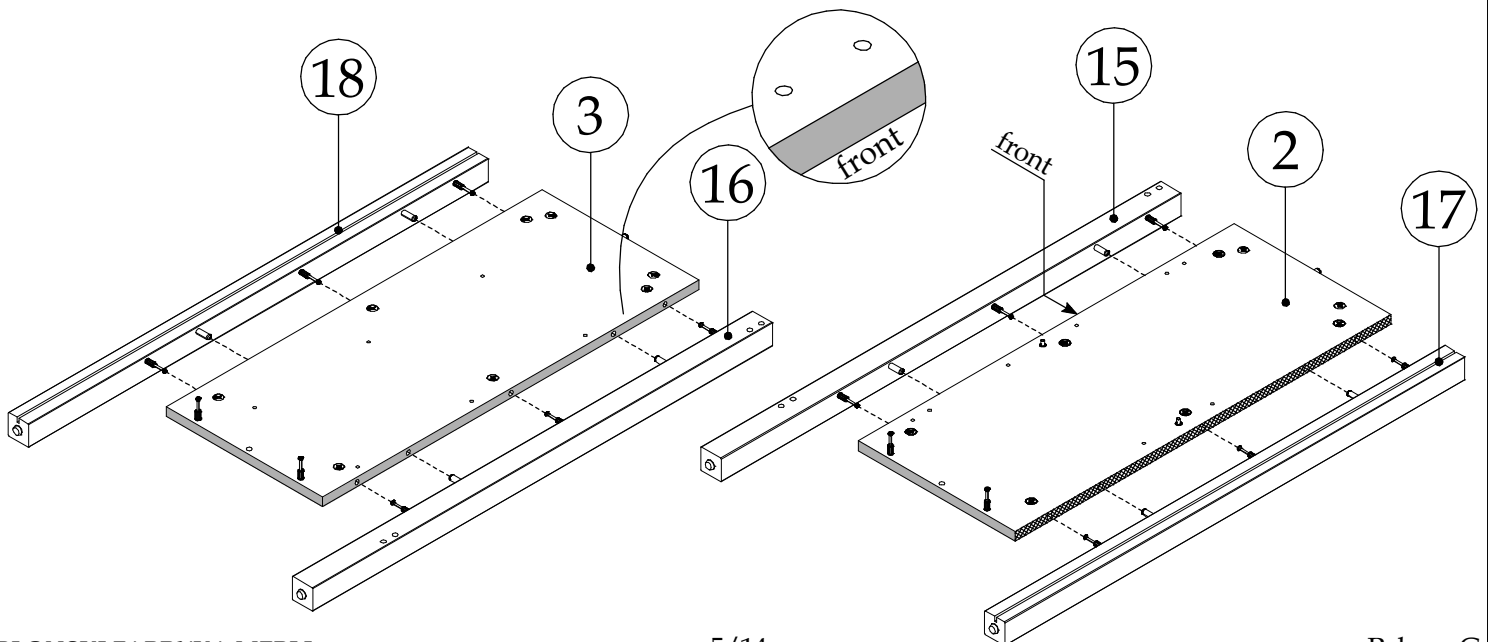
▶ 1



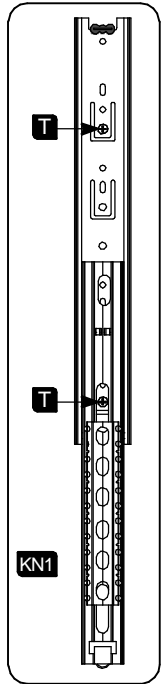
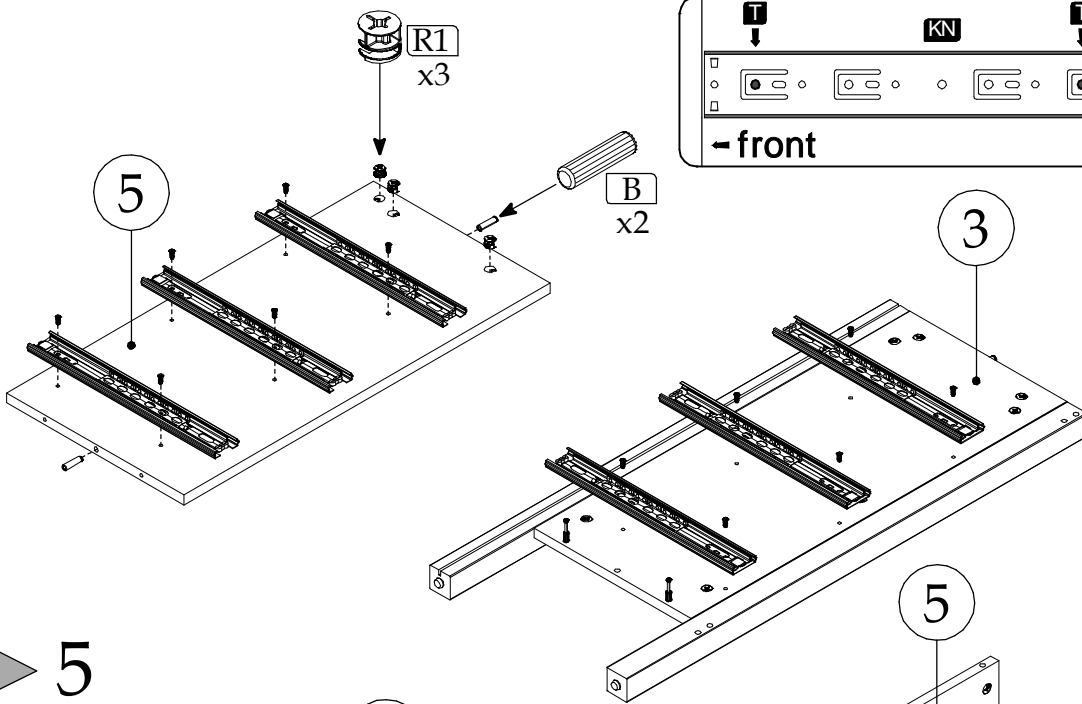
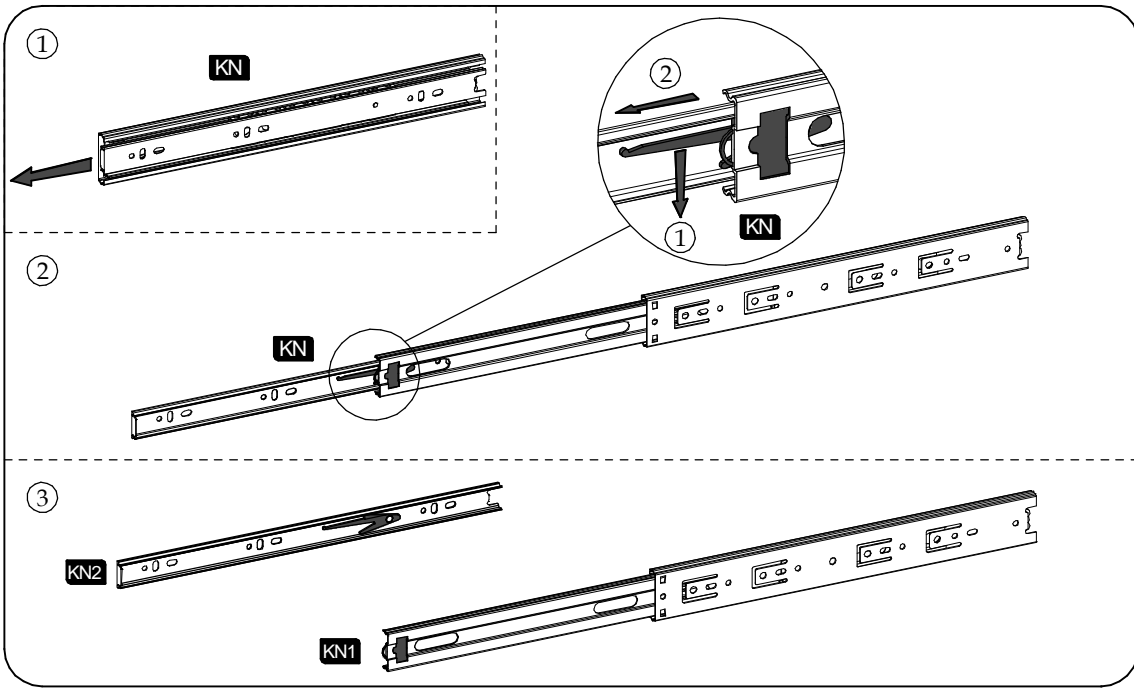
▶ 2



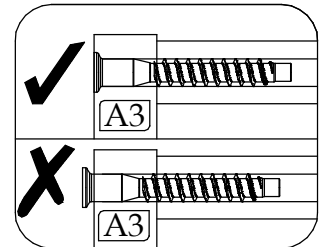
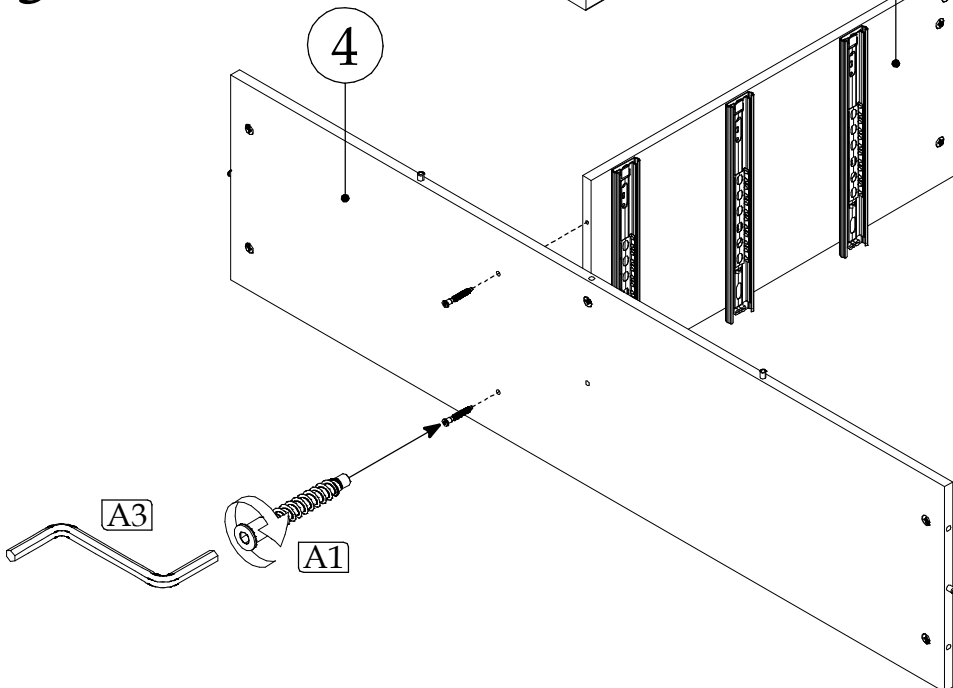
▶ 3



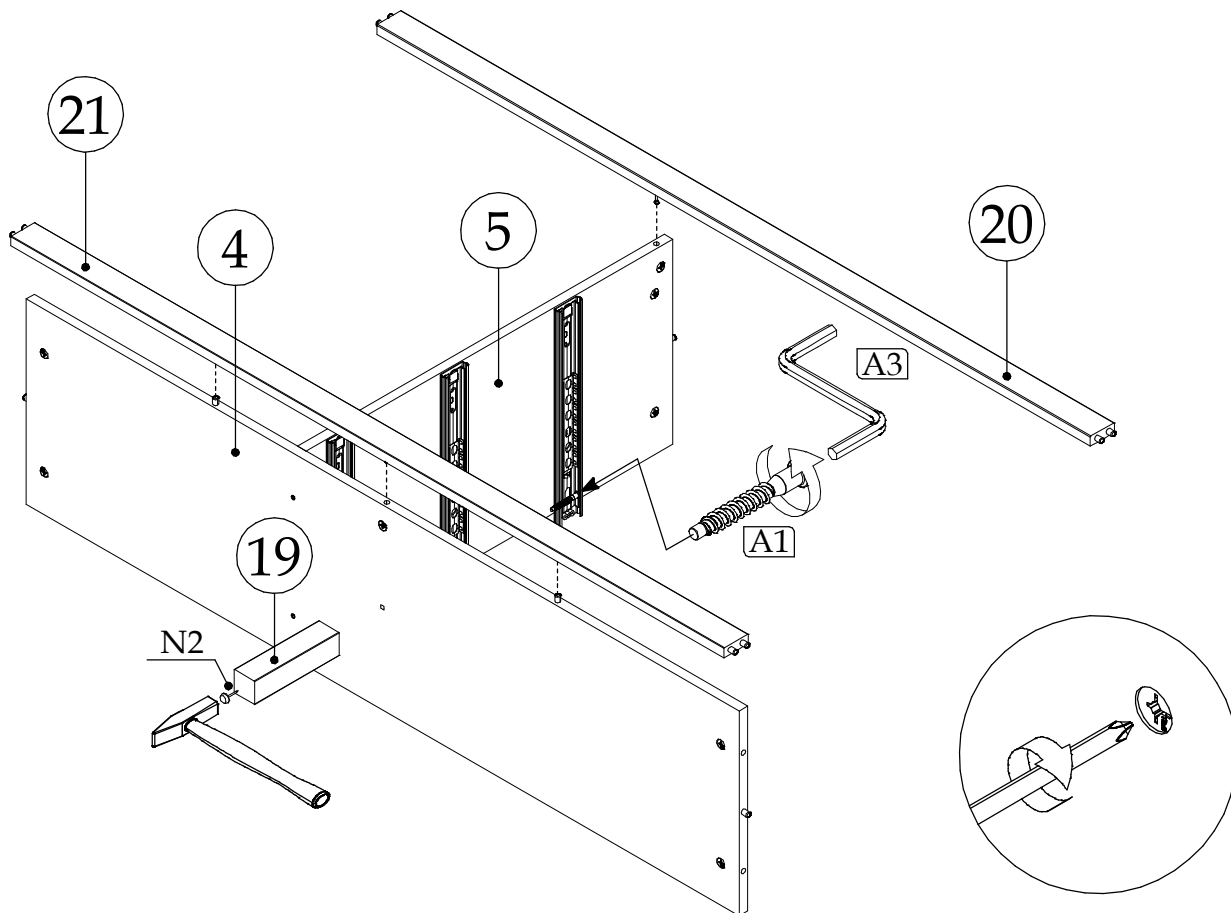
▶ 4



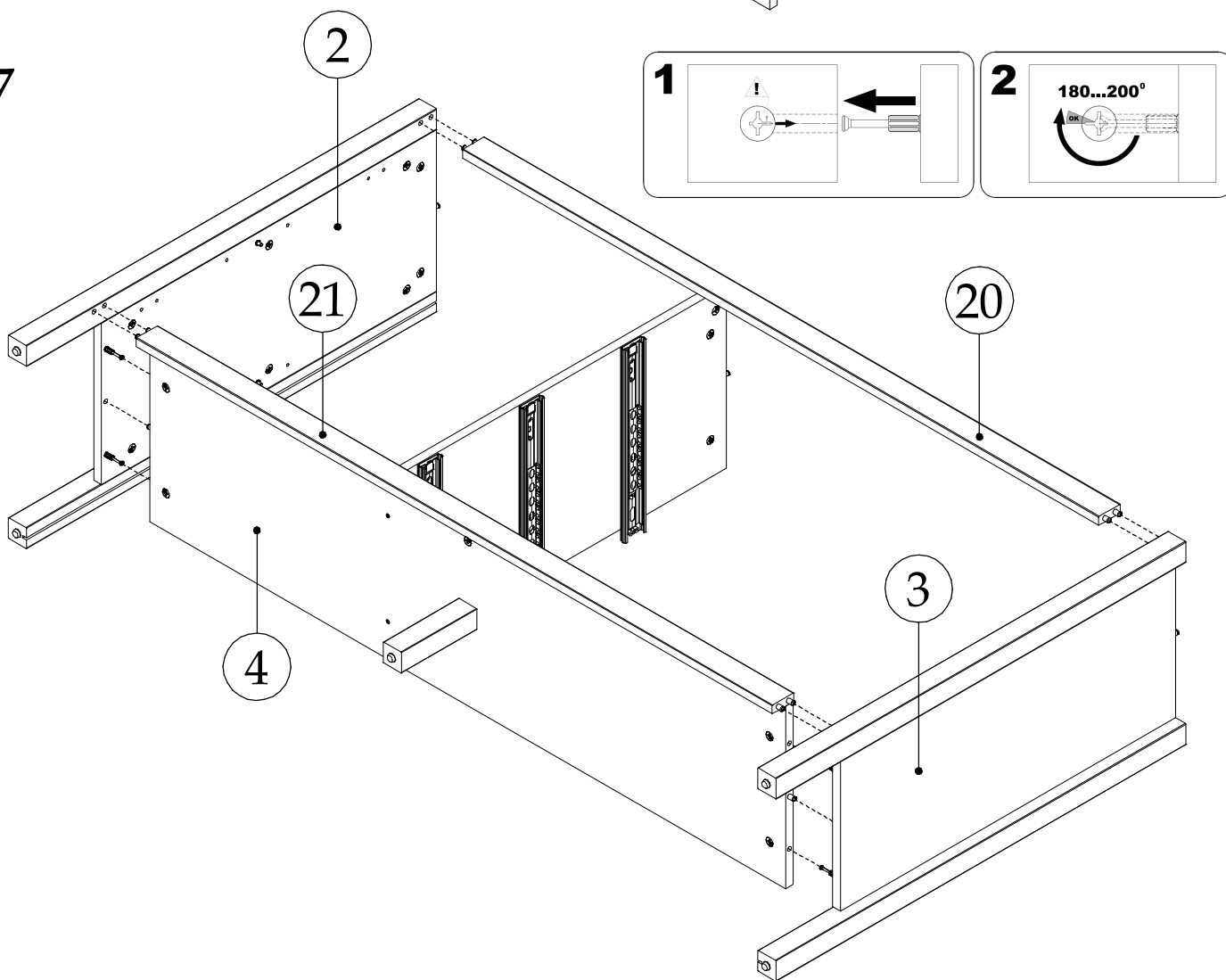
▶ 5



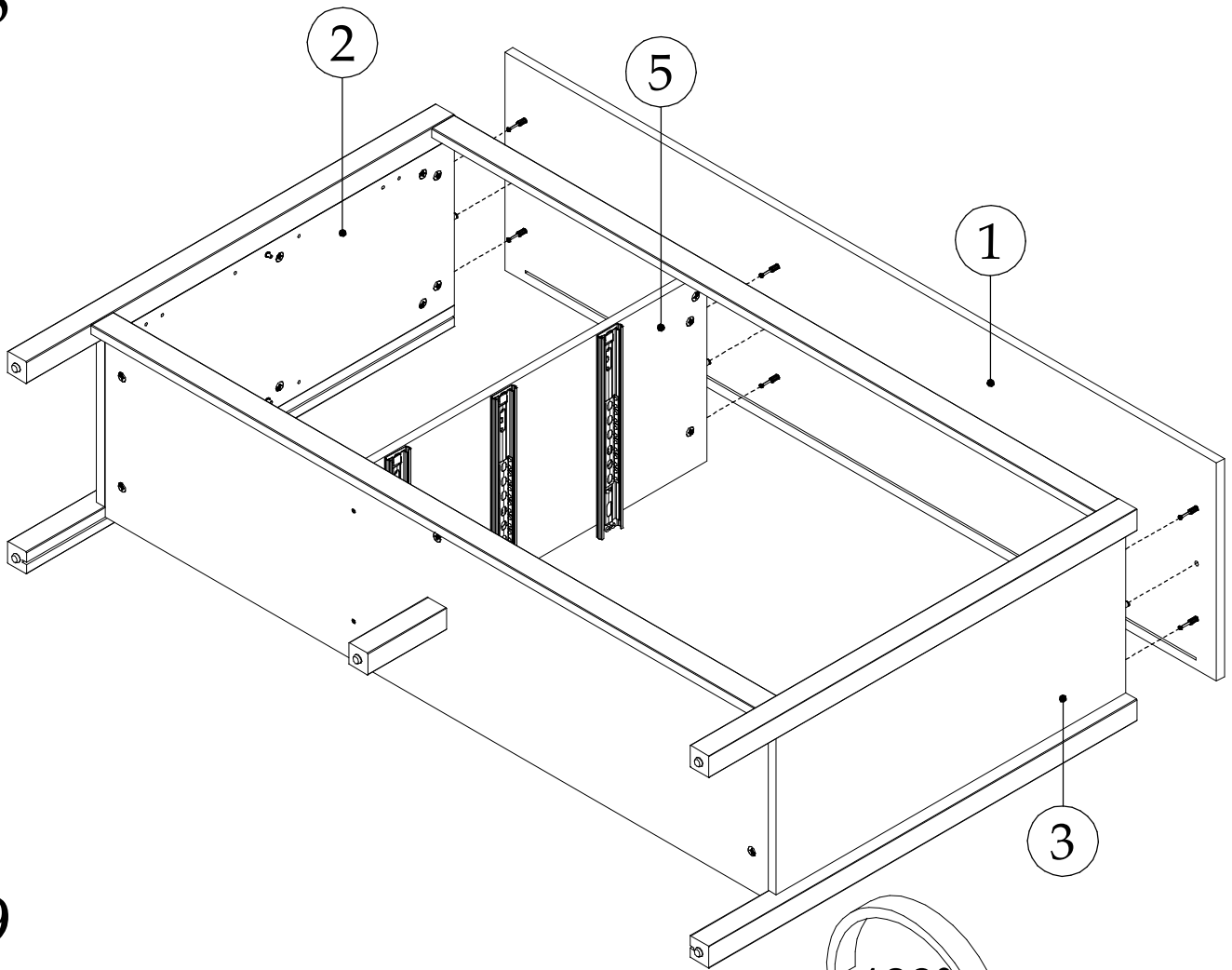
▶ 6



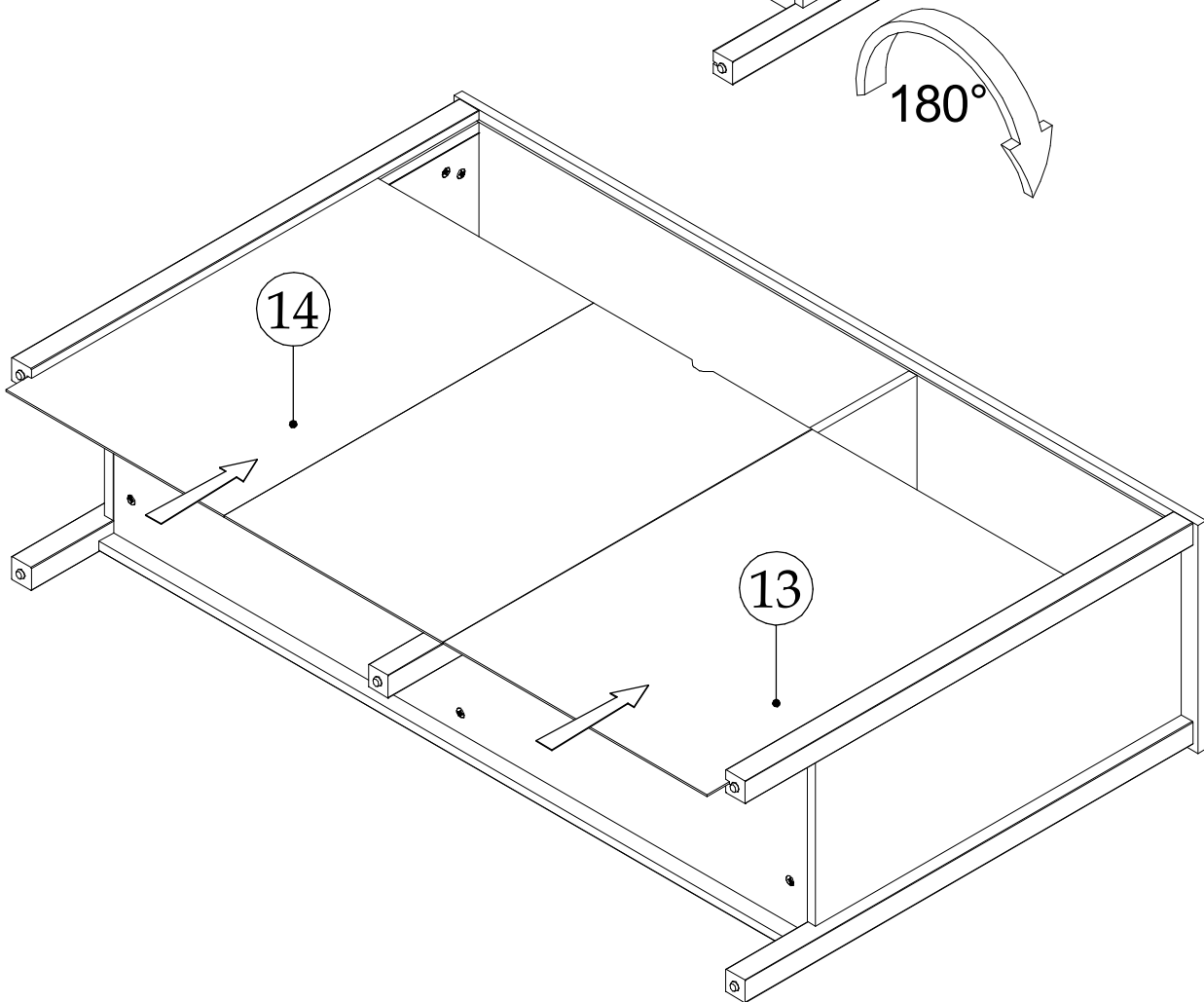
▶ 7



▶ 8

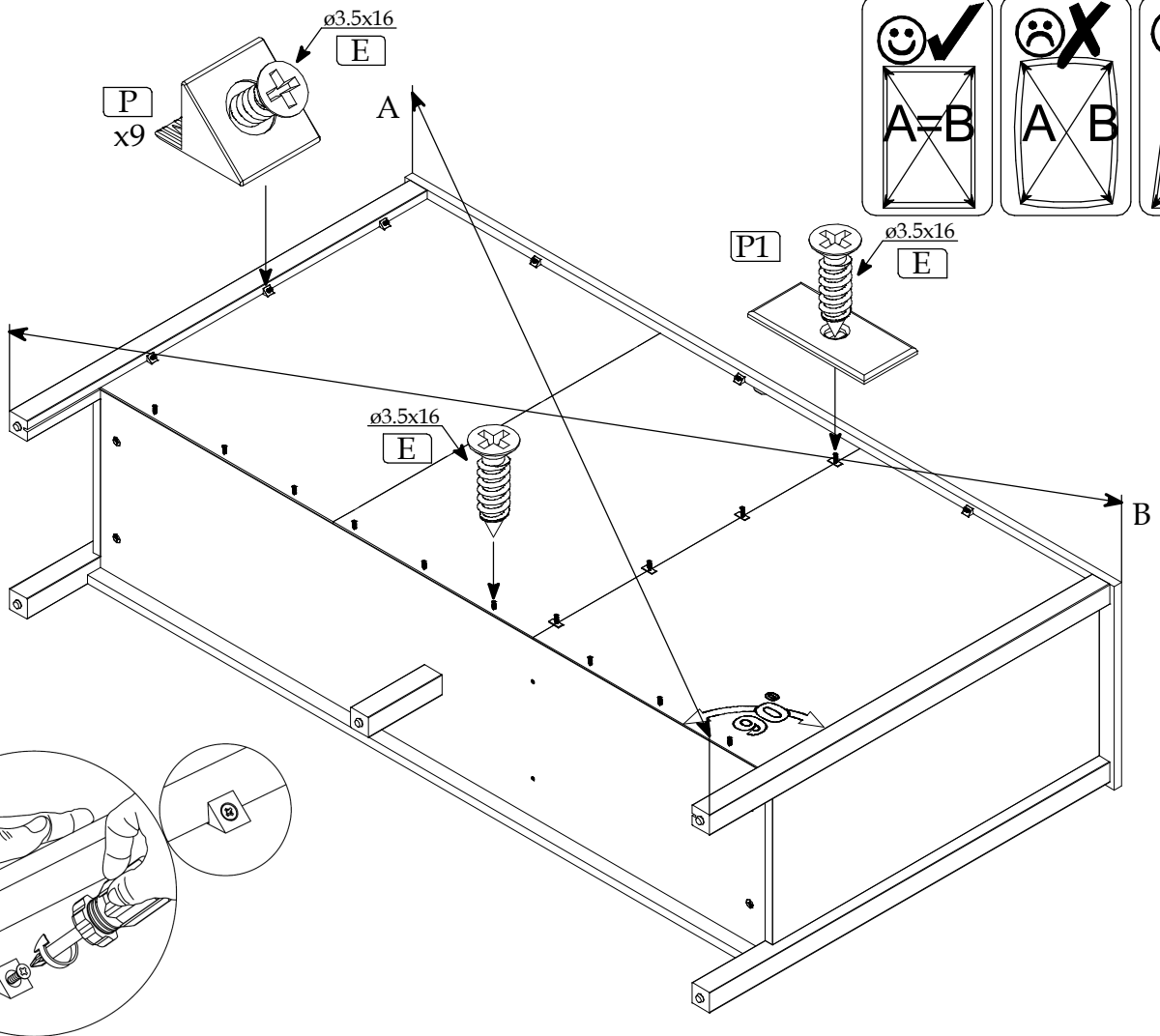
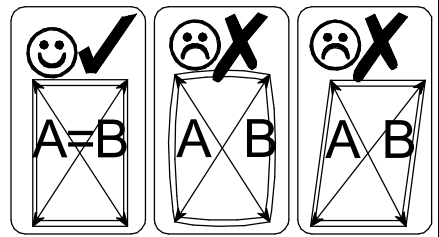


▶ 9

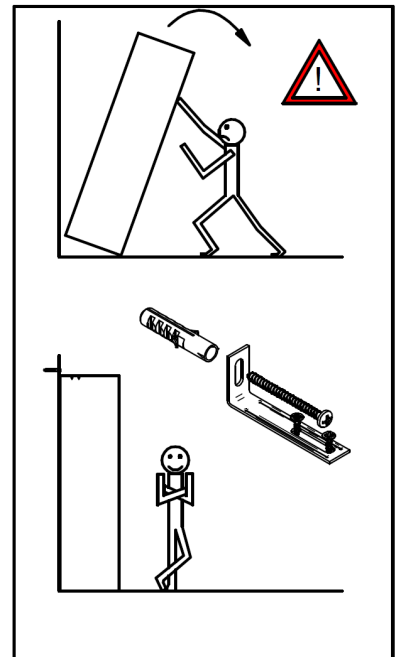
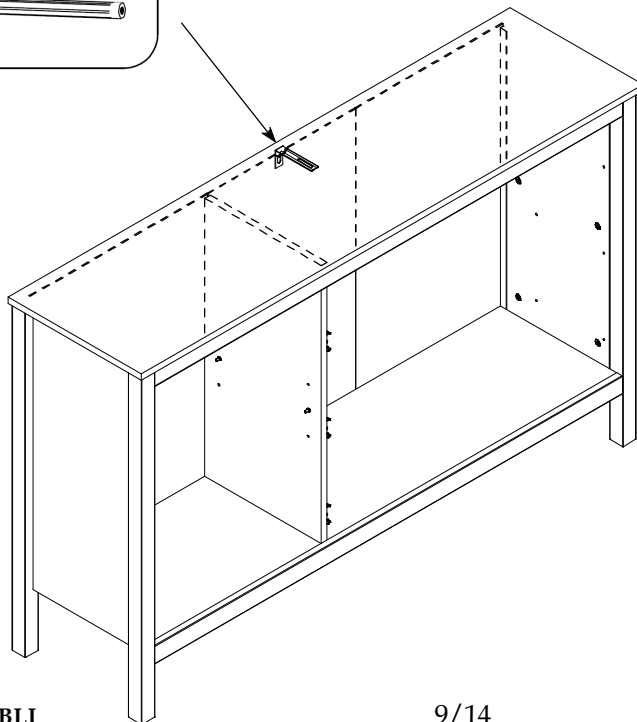
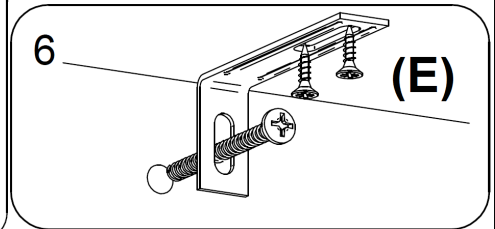
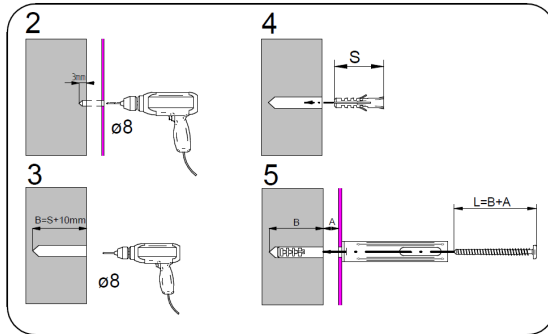
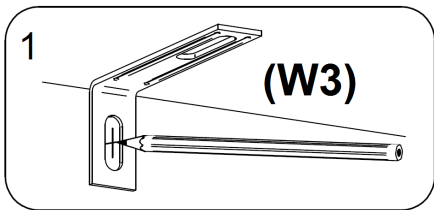




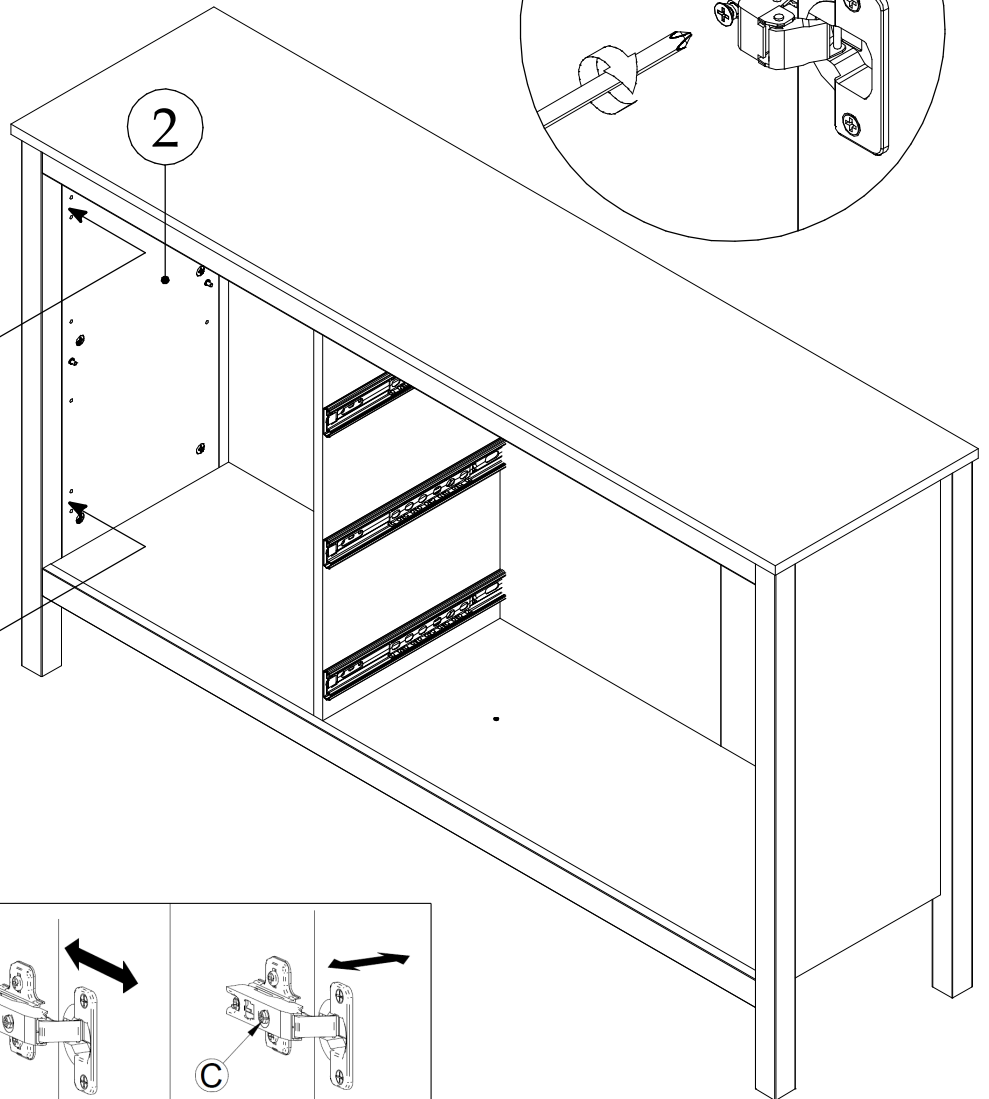
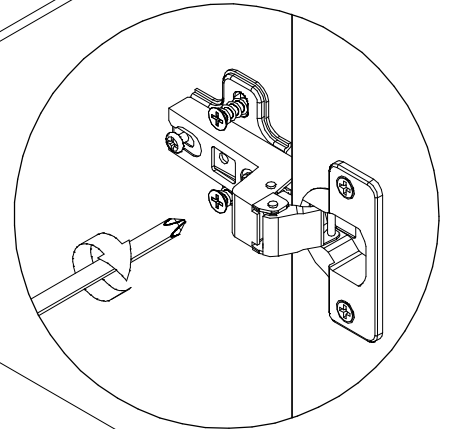
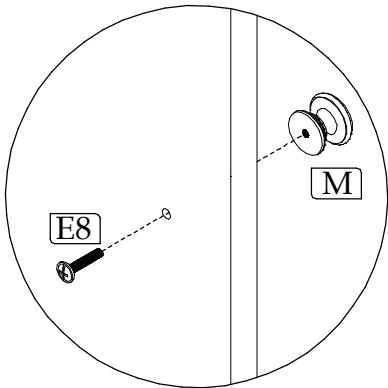
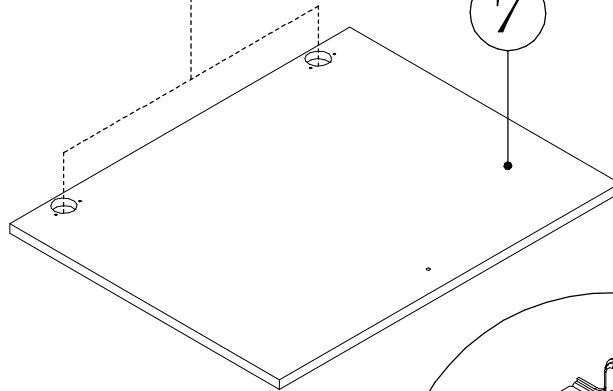
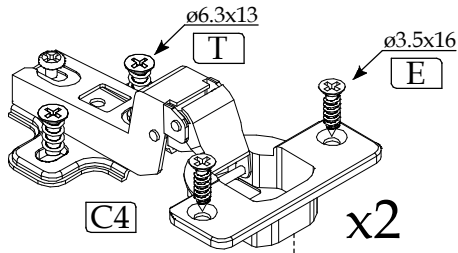
► 10



► 11

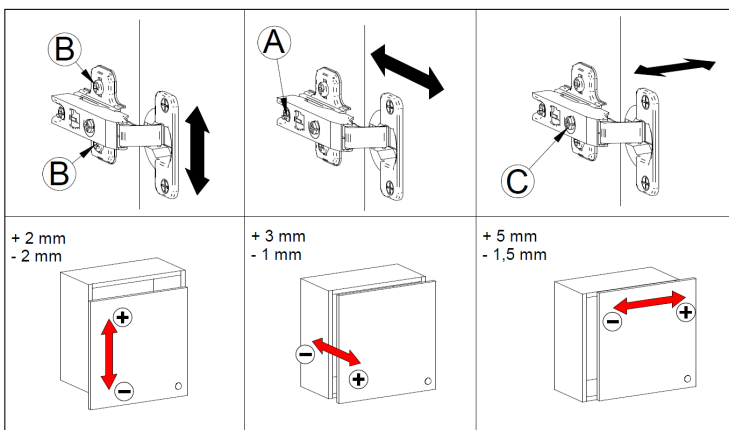
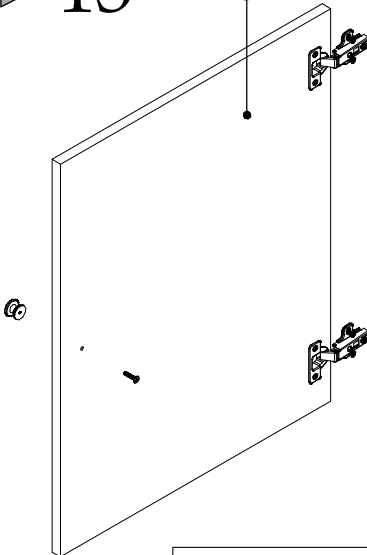


▶ 12

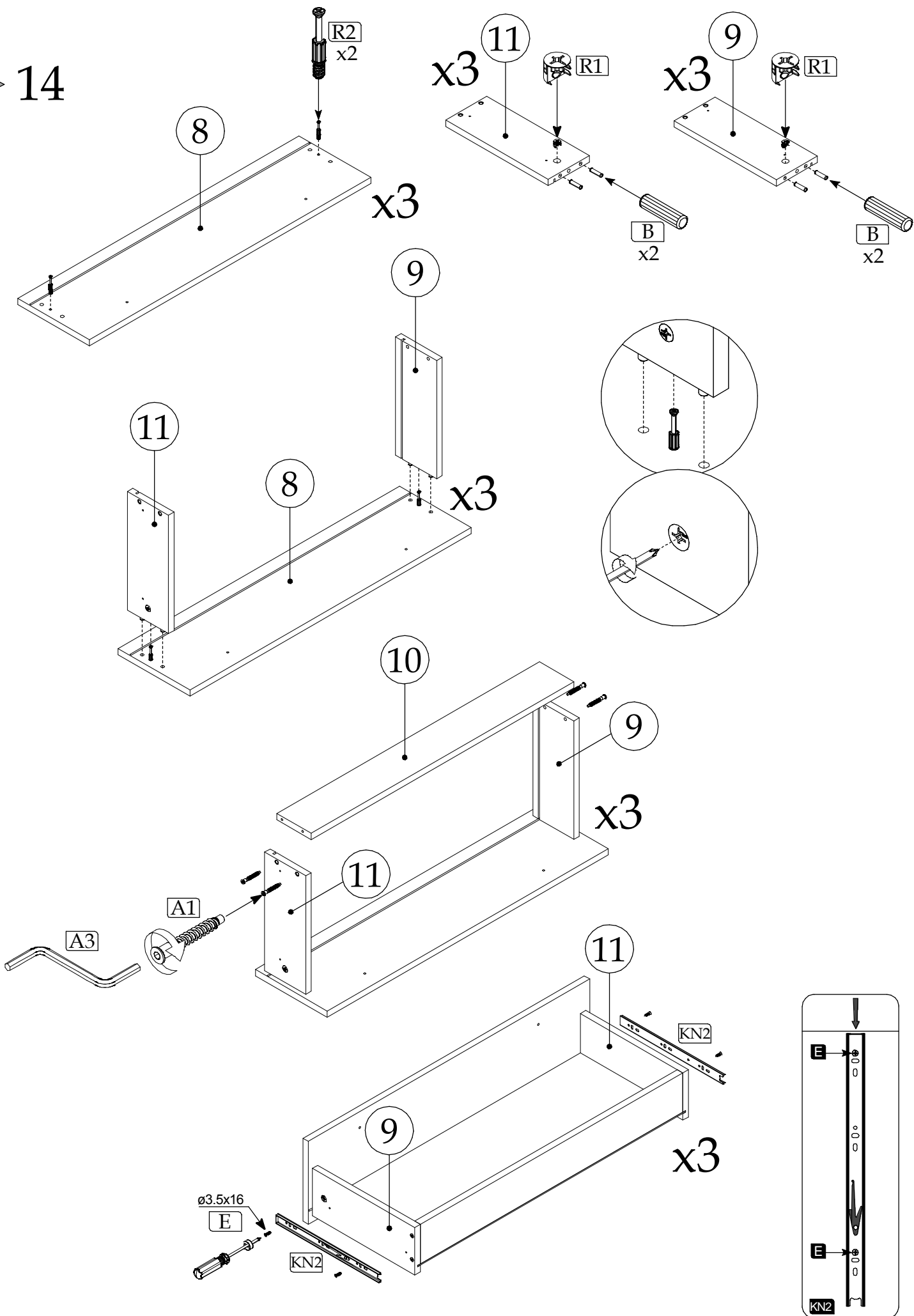


▶ 13

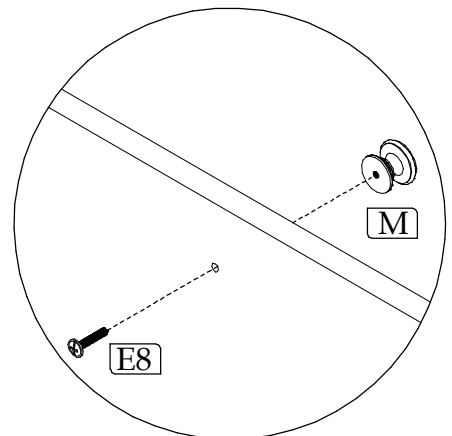
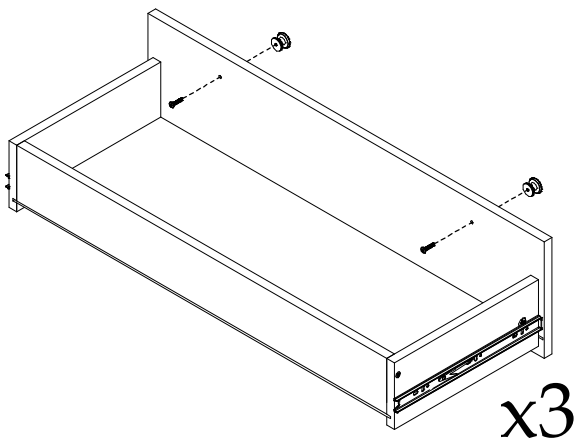
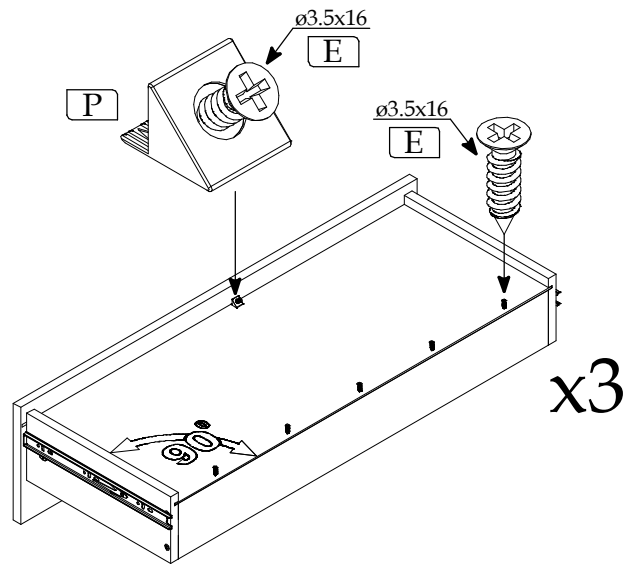
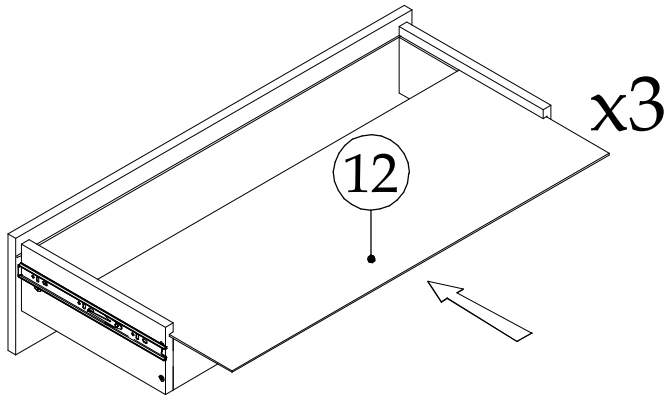
7



▶ 14



► 15



▶ 17

