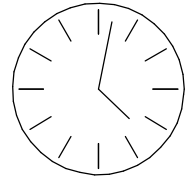
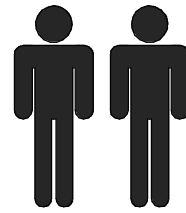
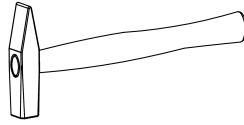
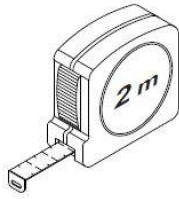
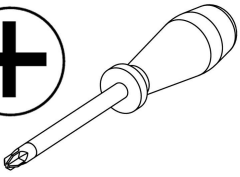
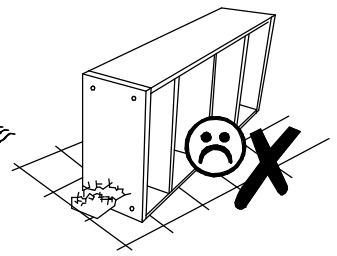
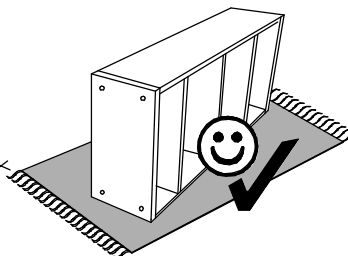
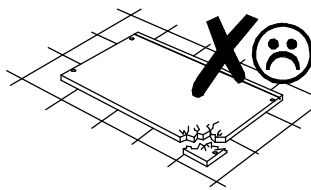
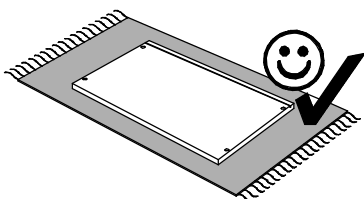
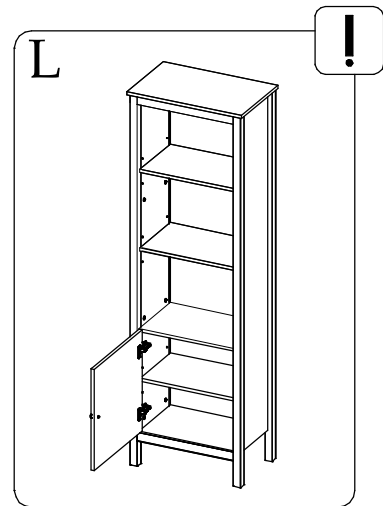
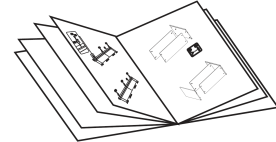
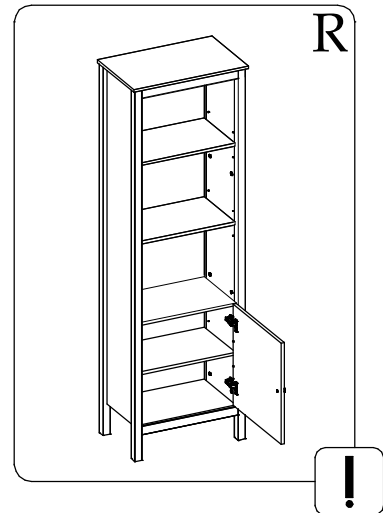
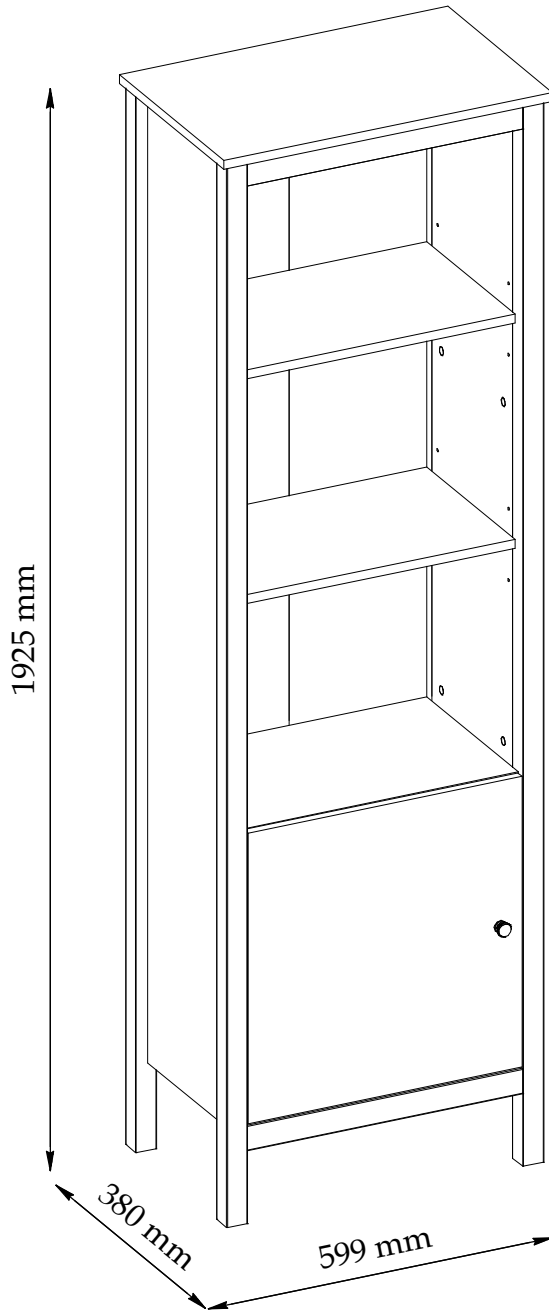
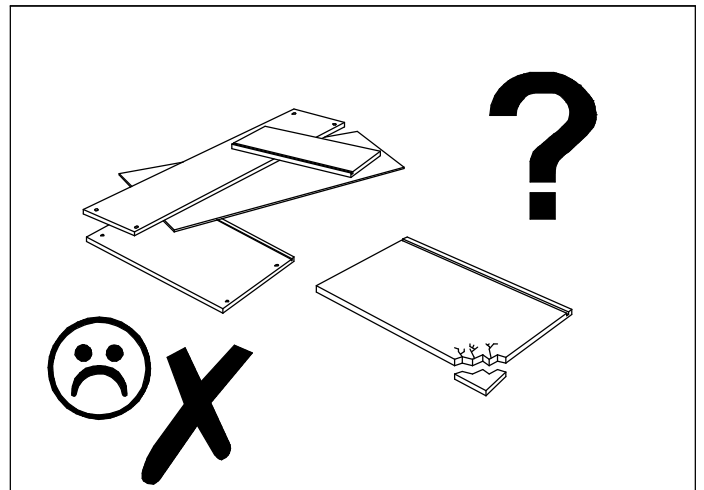
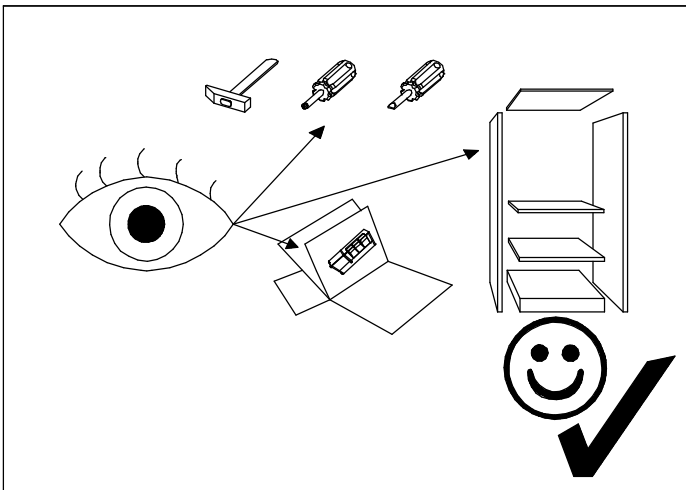
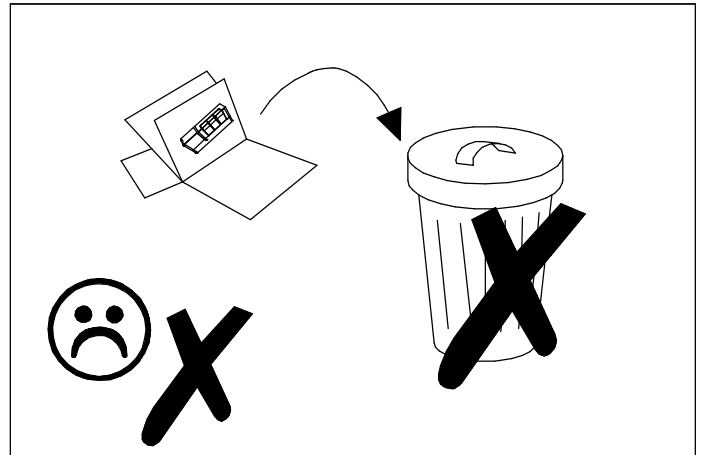
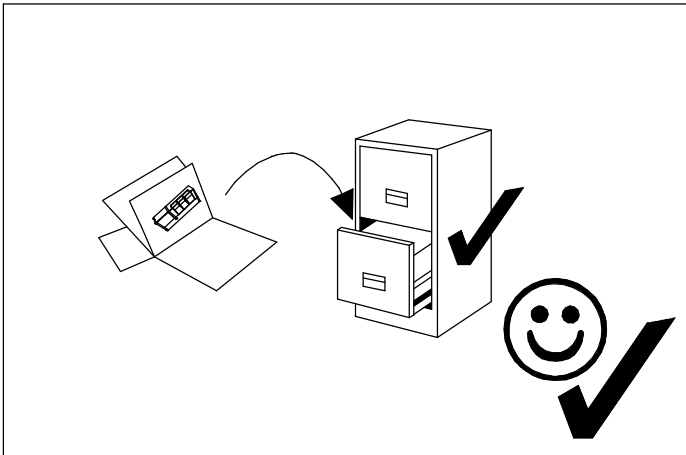
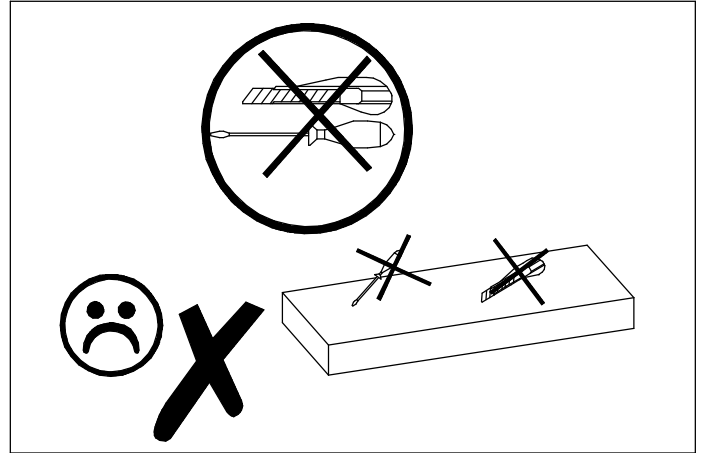
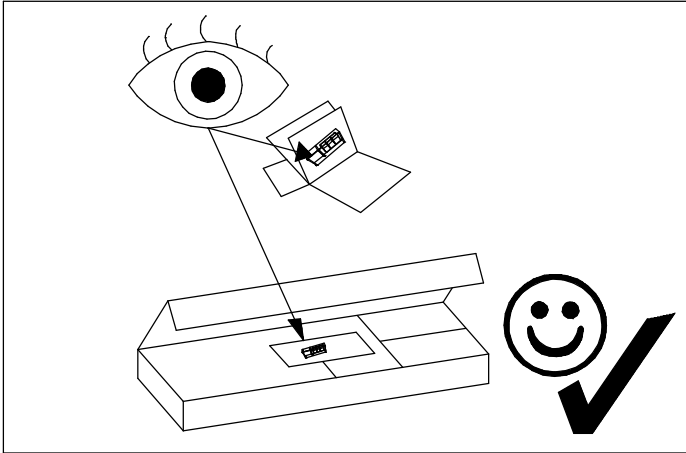


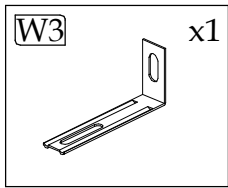
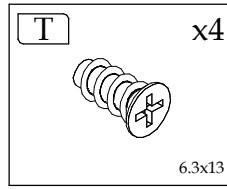
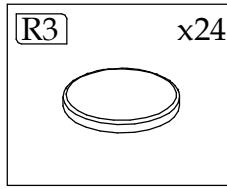
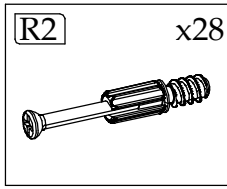
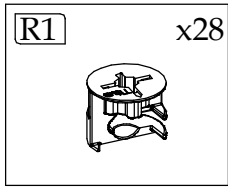
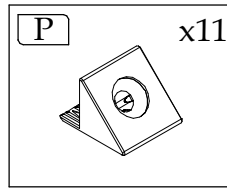
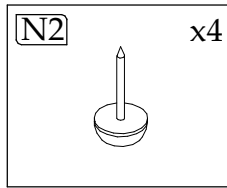
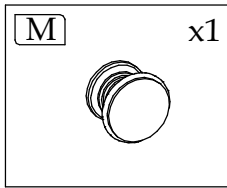
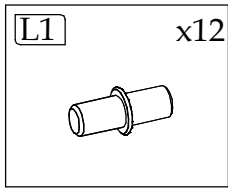
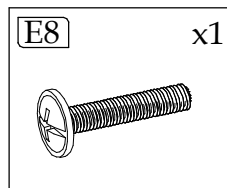
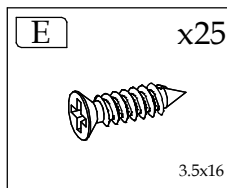
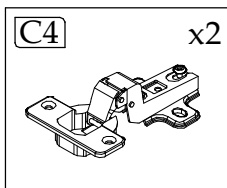
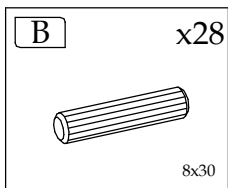
PALMER R



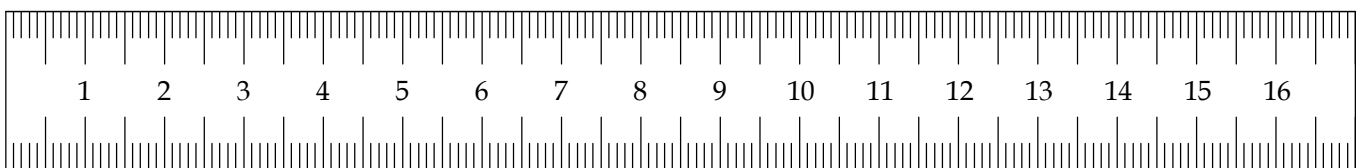
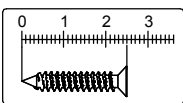
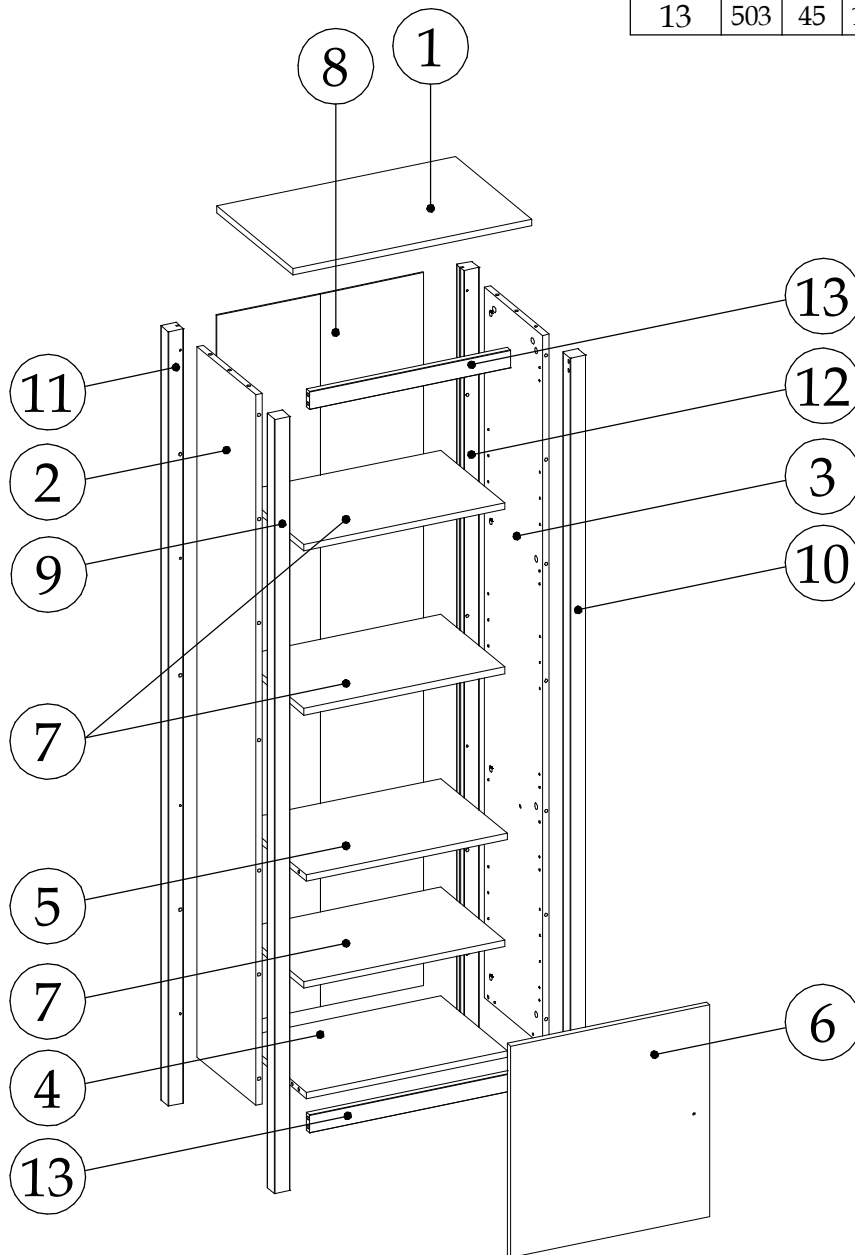
100 min

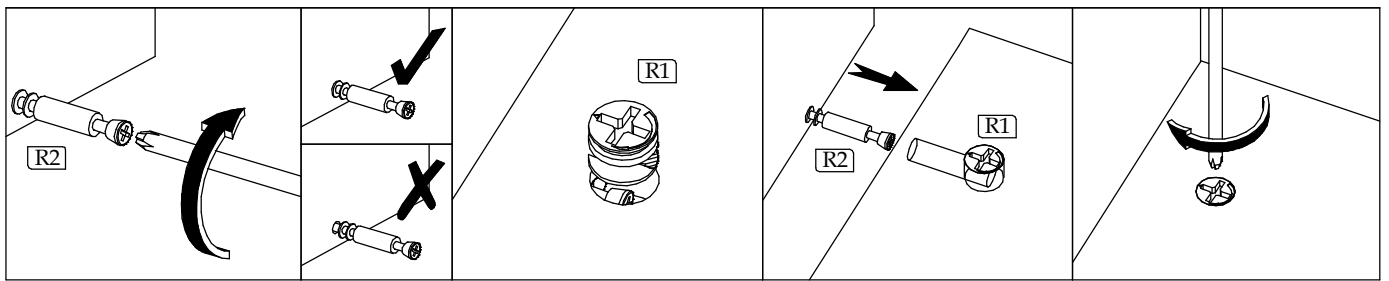




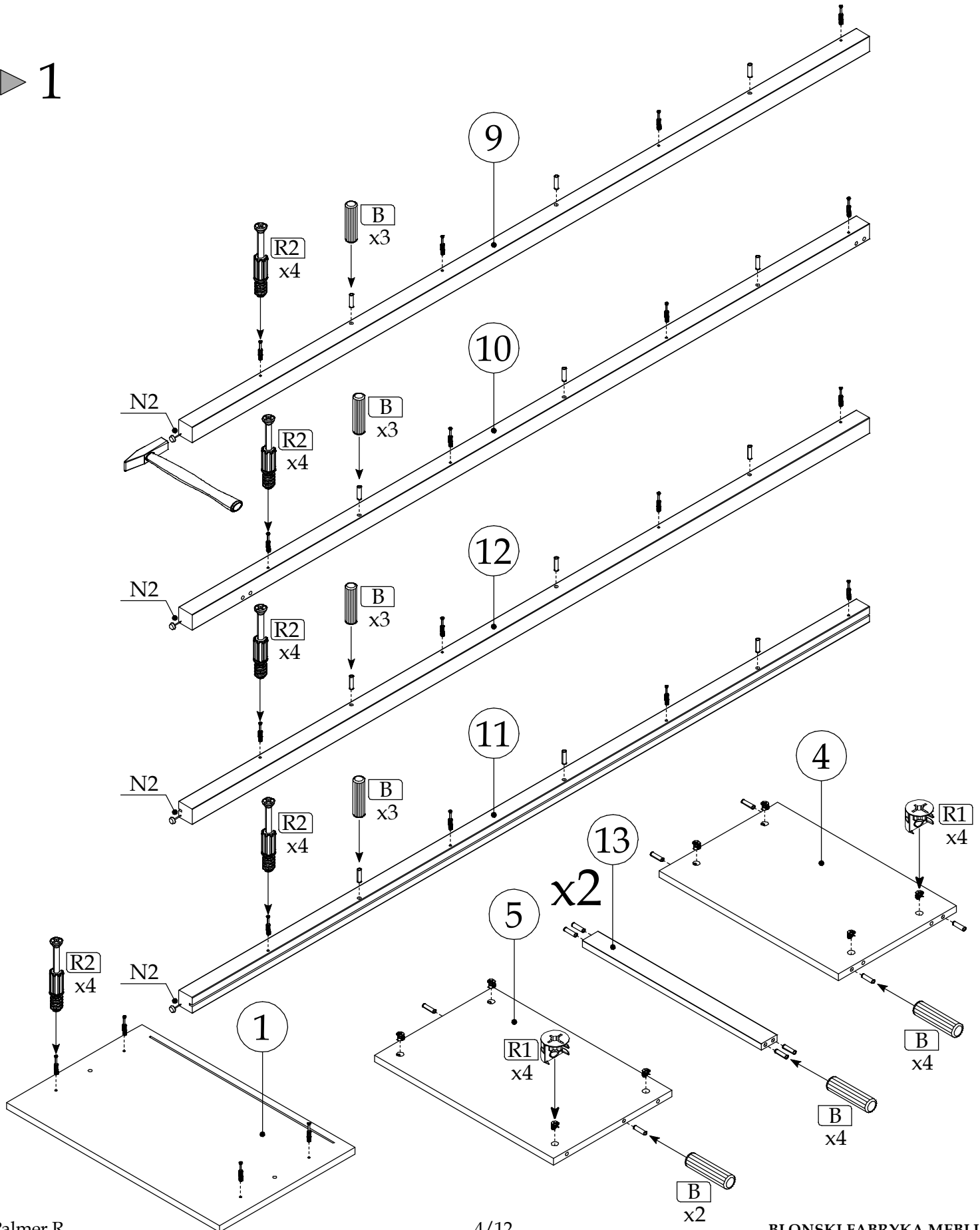


Element symbol	Measurements				Code	Paket
1	599	380	16	1	1002	2/3
2	1747	293,5	16	1	1004	1/3
3	1747	293,5	16	1	1020	1/3
4	503	331,5	16	1	1006	1/3
5	503	331,5	16	1	1008	1/3
6	500	521	16	1	1023	2/3
7	503	320	16	3		1/3
8	1753	517	3	1		1/3
9	1904	38	38	1	3001	3/3
10	1904	38	38	1	3002	3/3
11	1904	38	38	1	3003	3/3
12	1904	38	38	1	3004	3/3
13	503	45	16	1	3005	1/3

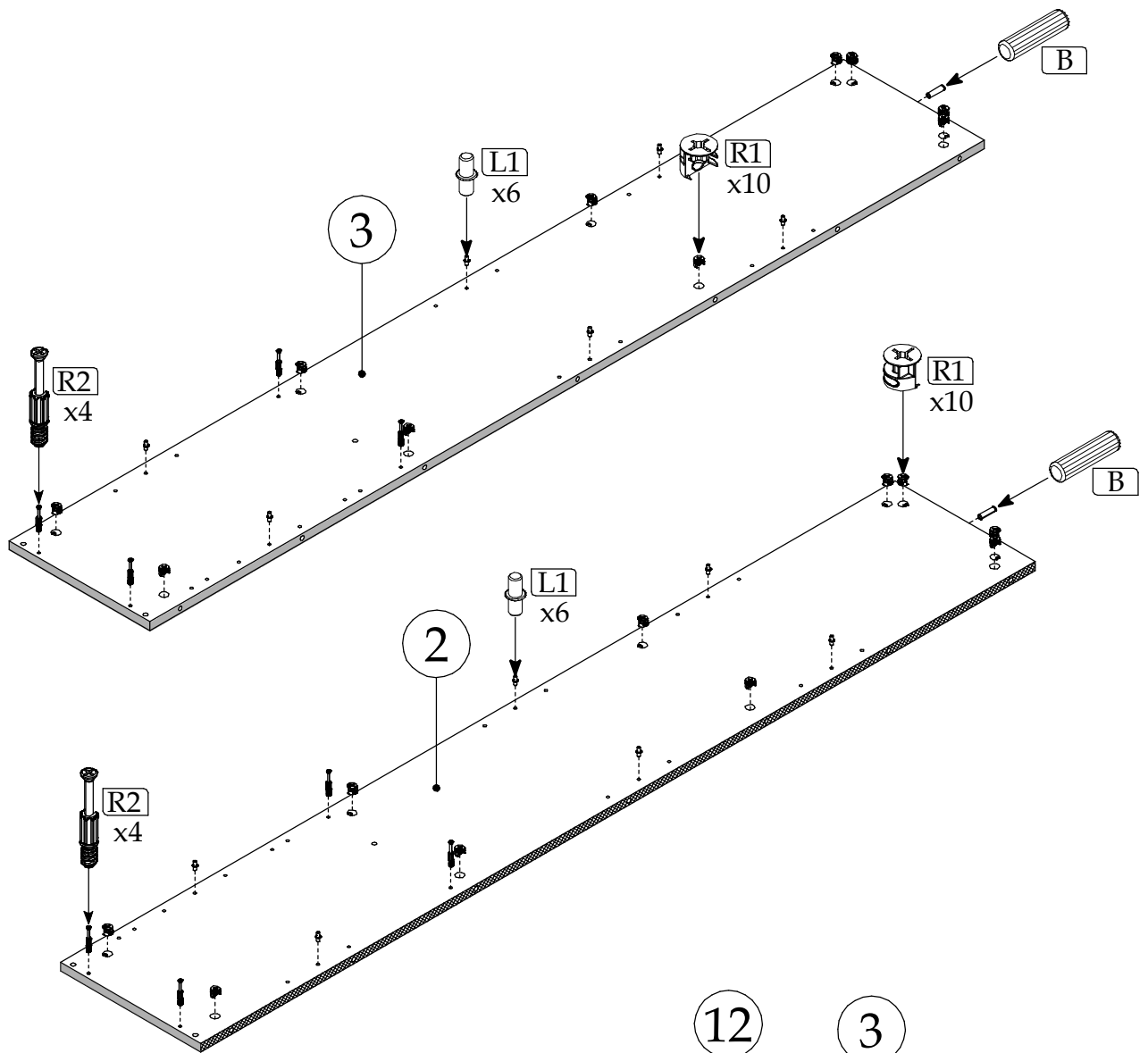




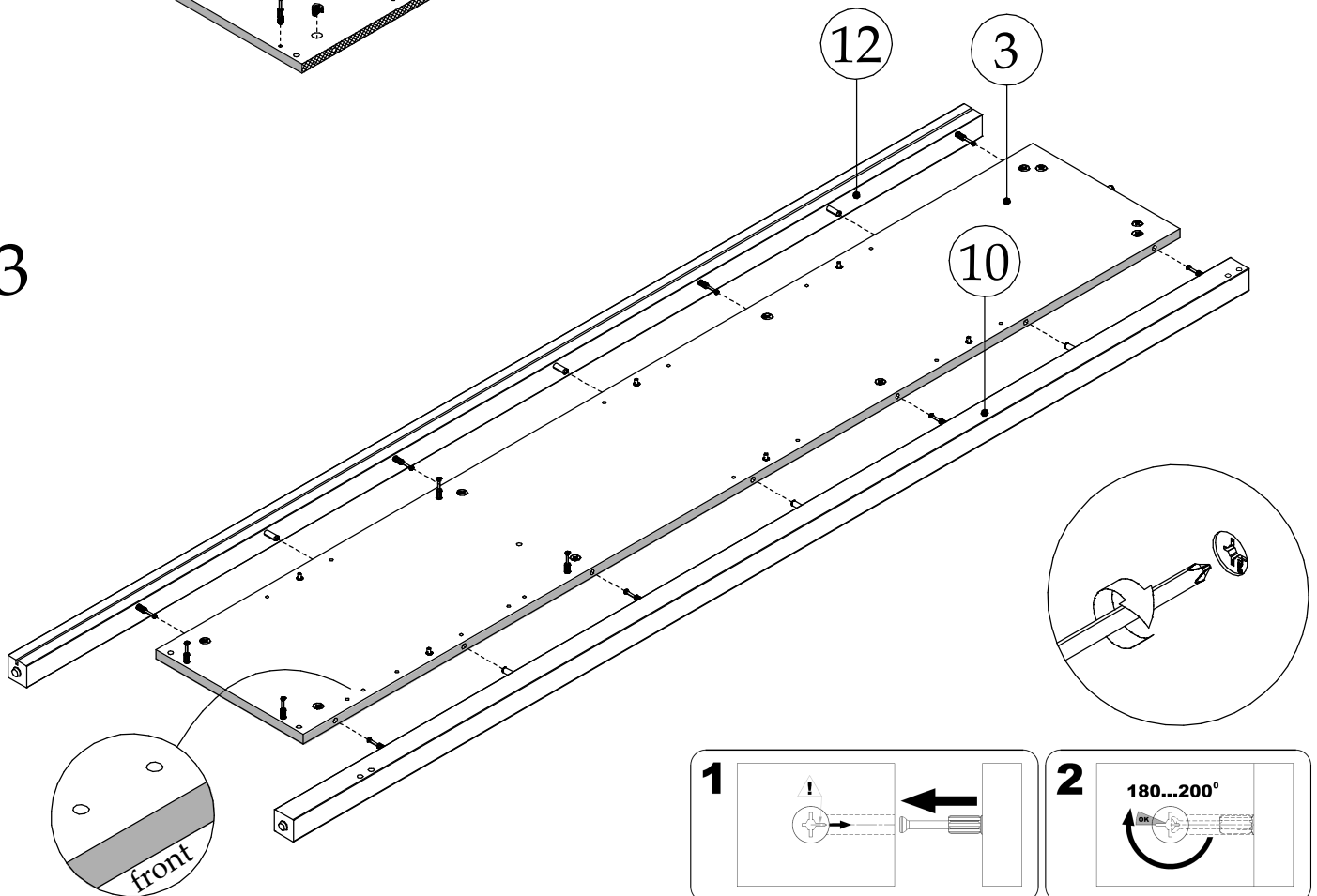
▶ 1



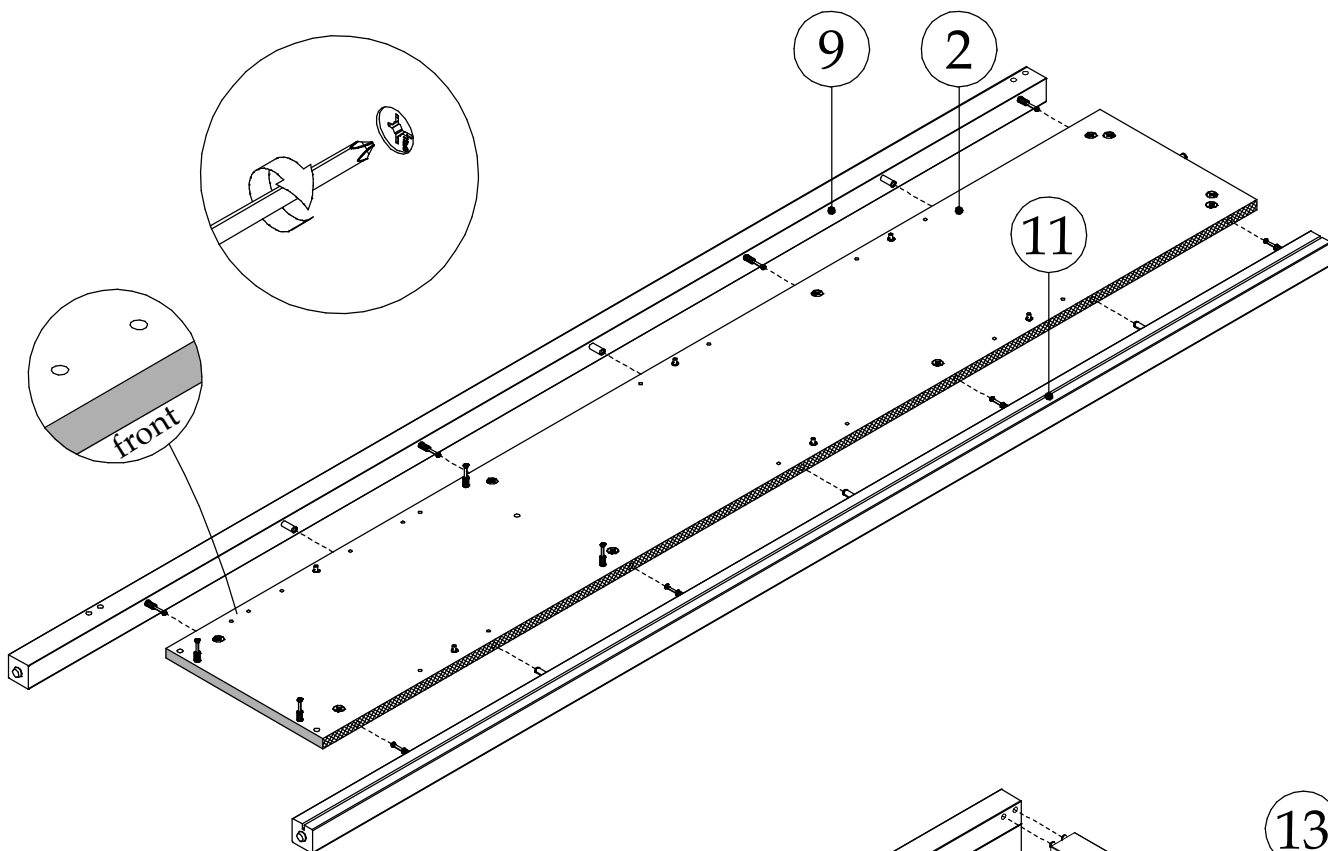
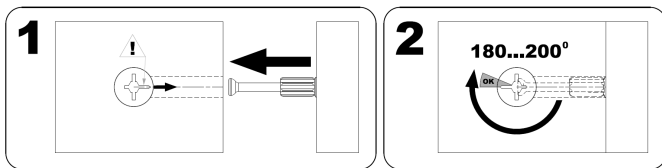
▶ 2



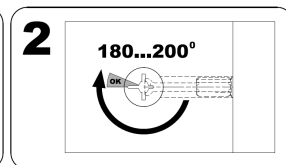
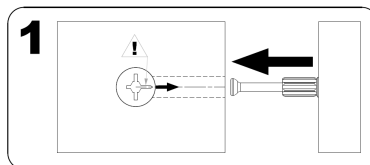
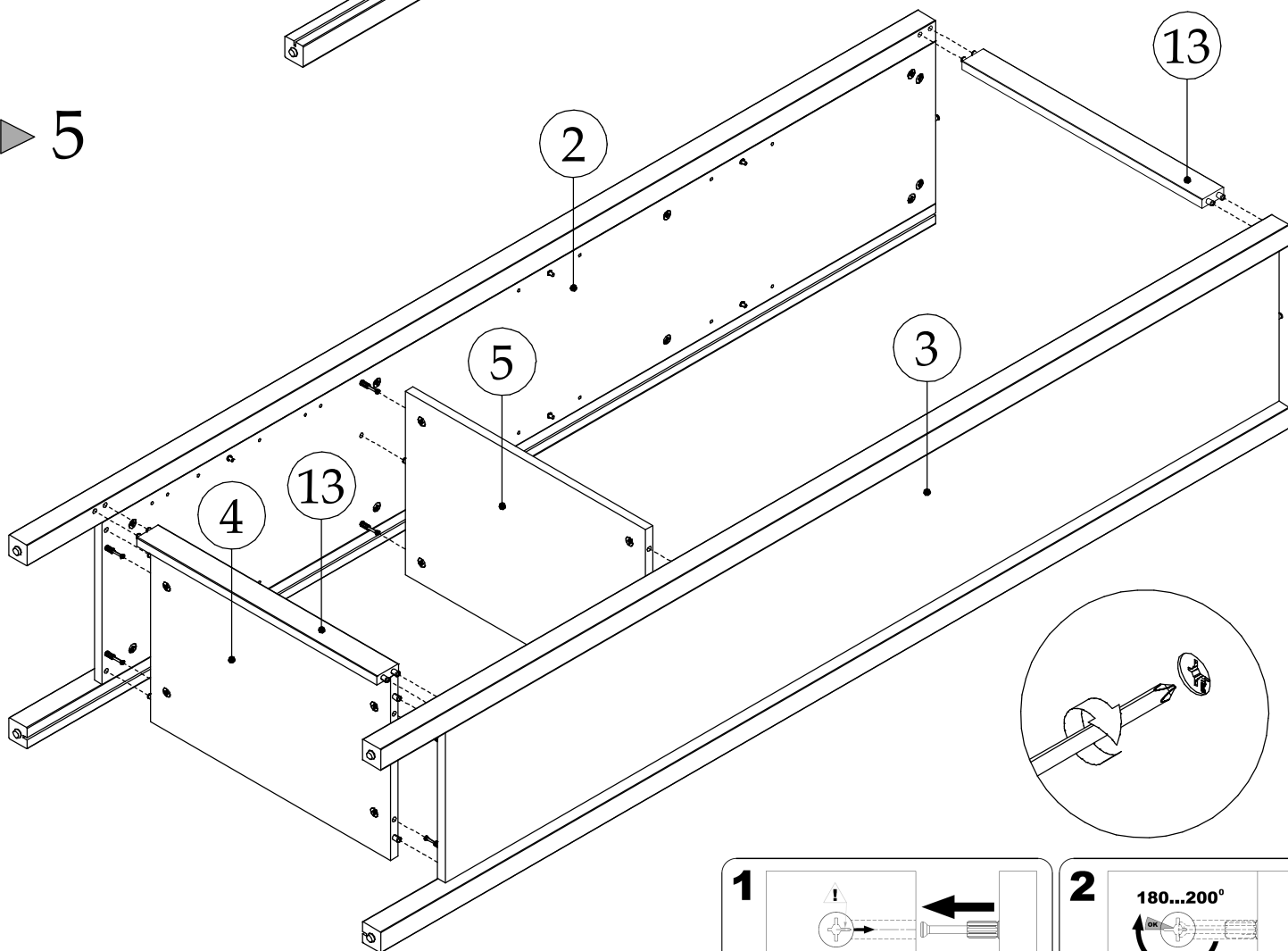
▶ 3



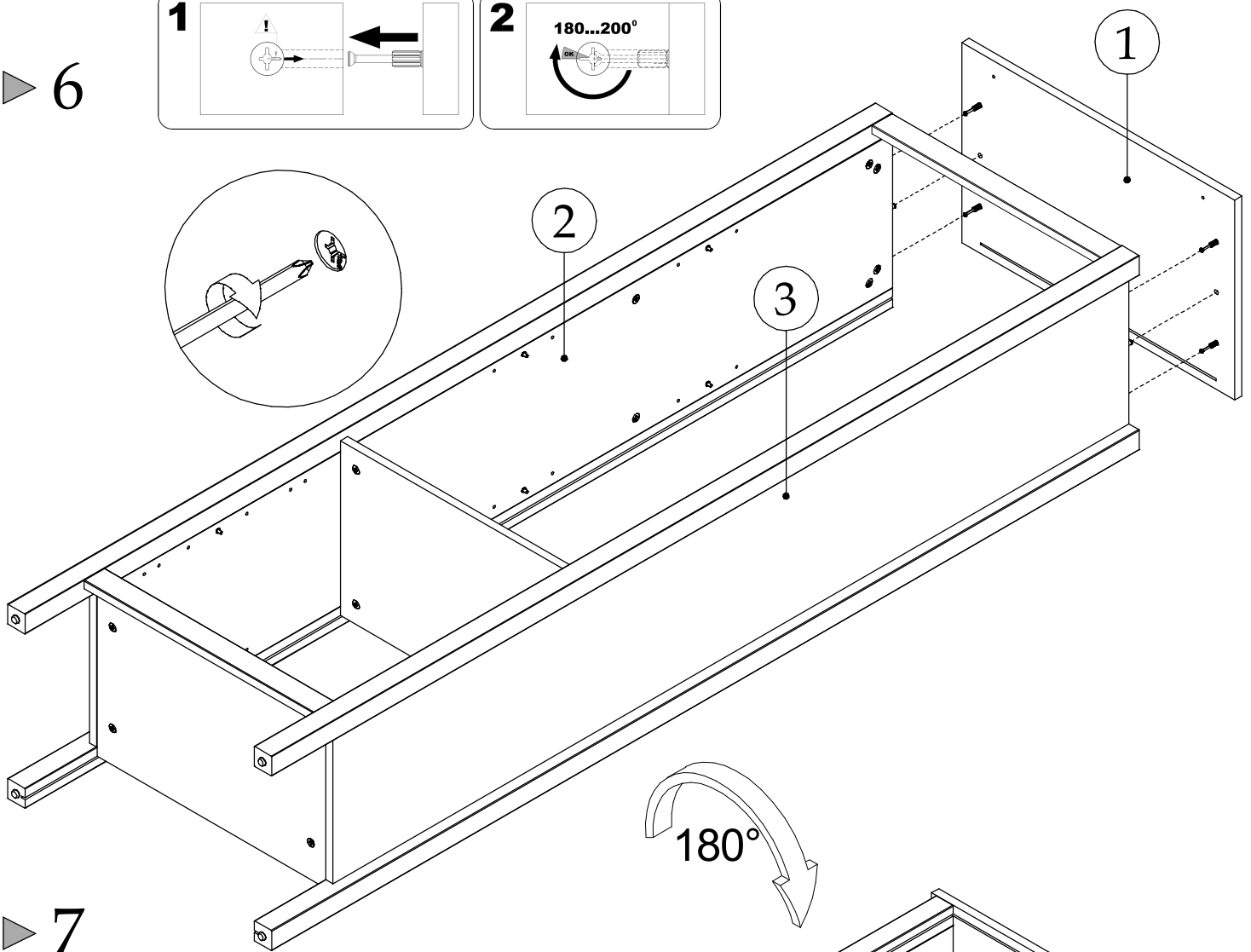
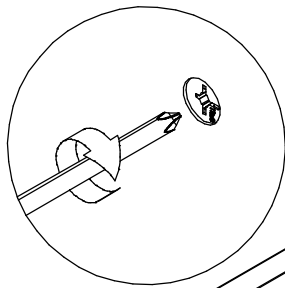
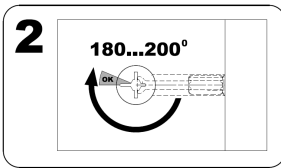
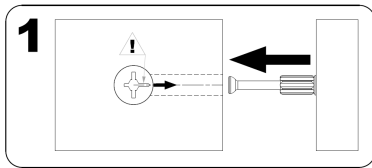
▶ 4



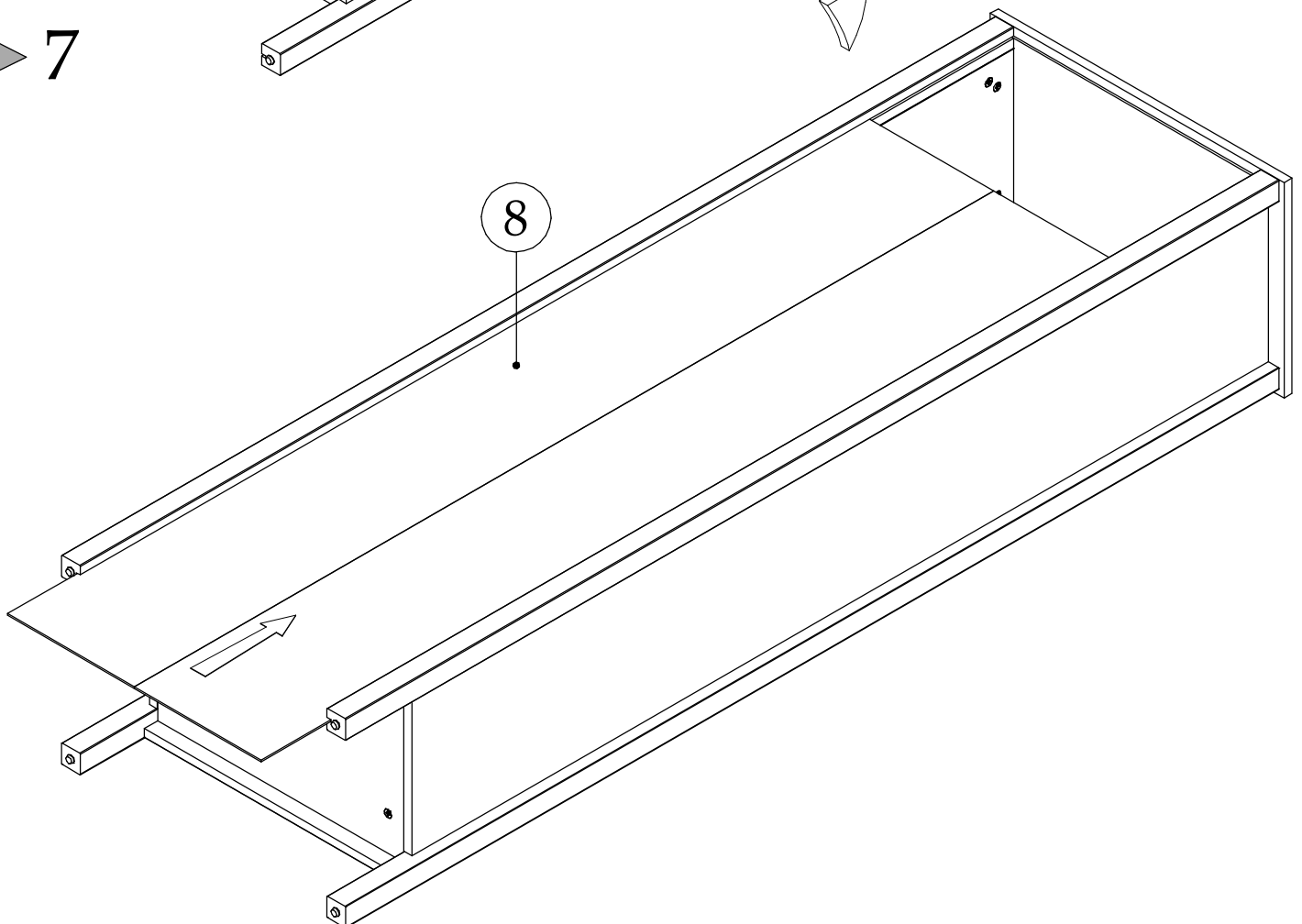
▶ 5



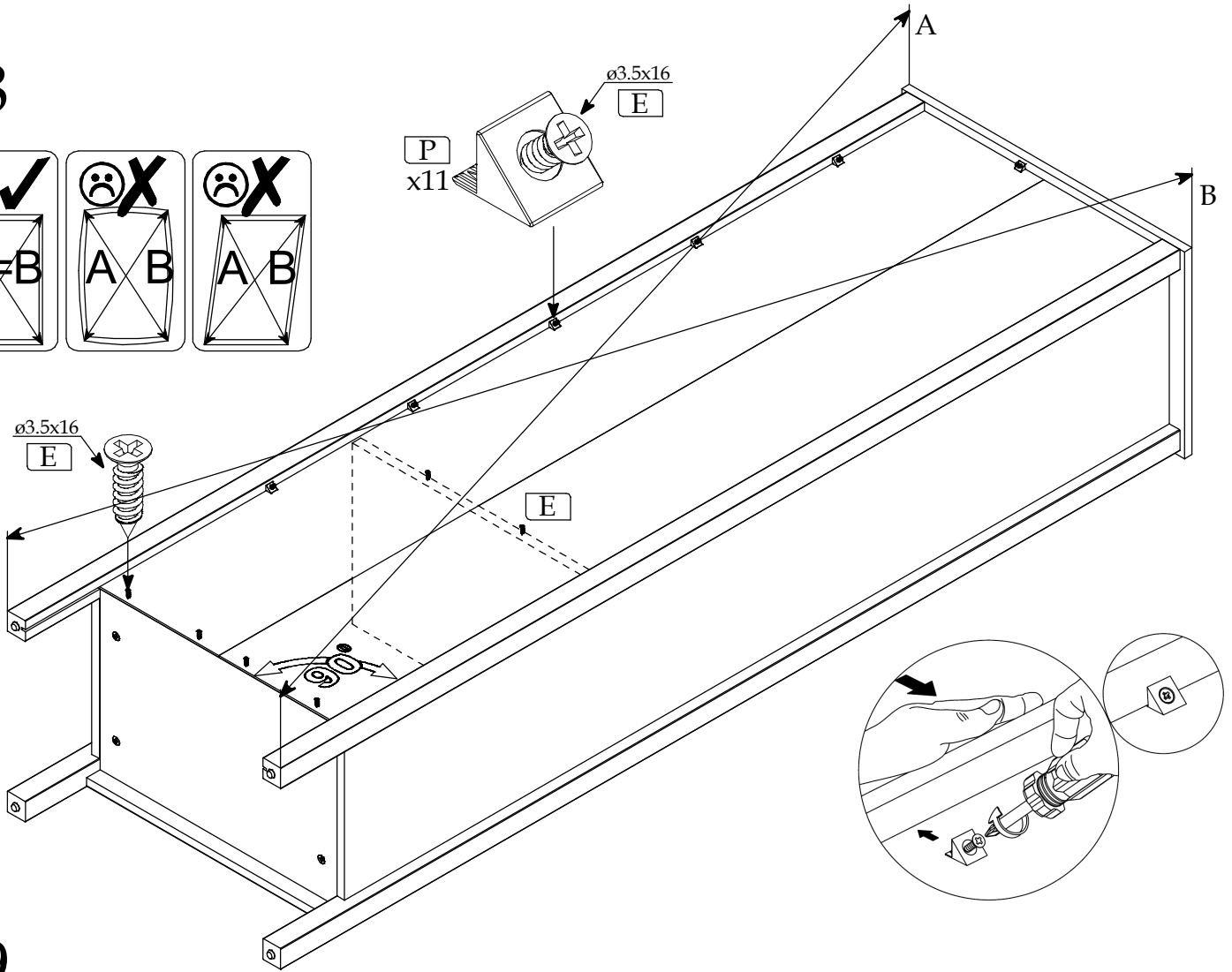
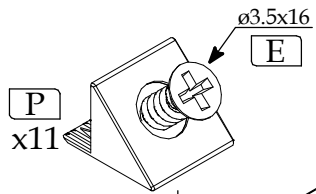
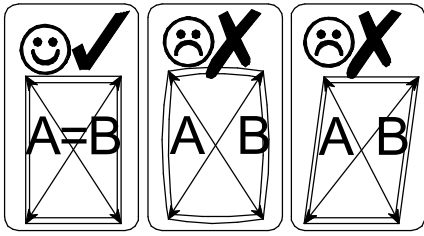
▶ 6



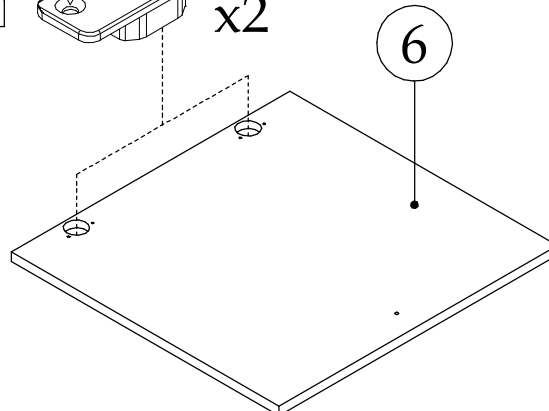
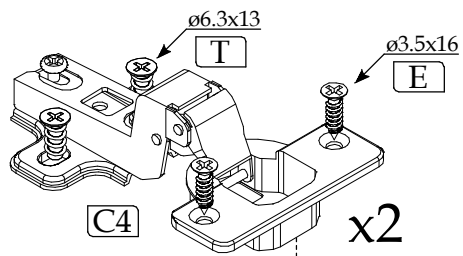
▶ 7



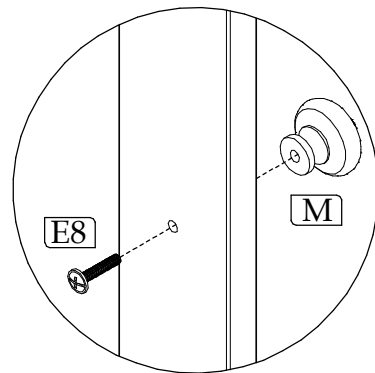
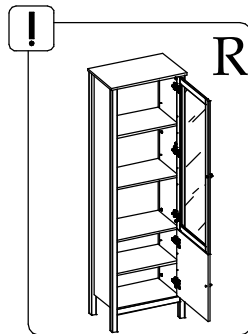
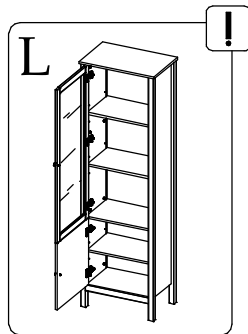
▶ 8



▶ 9

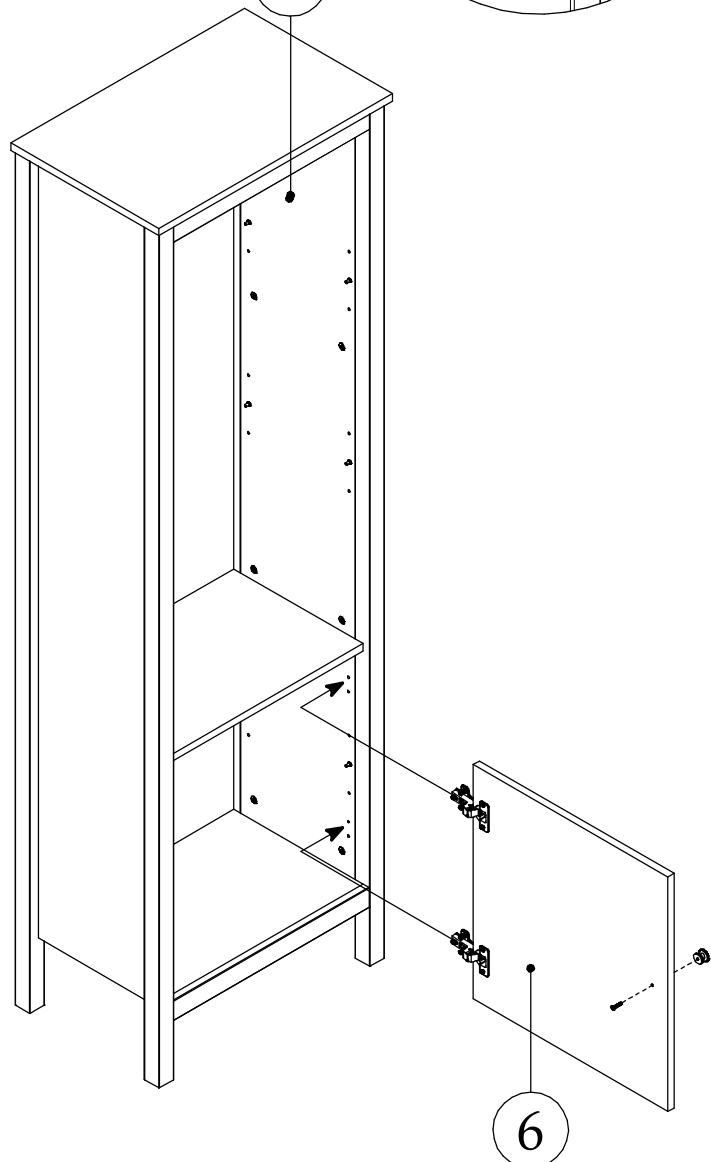
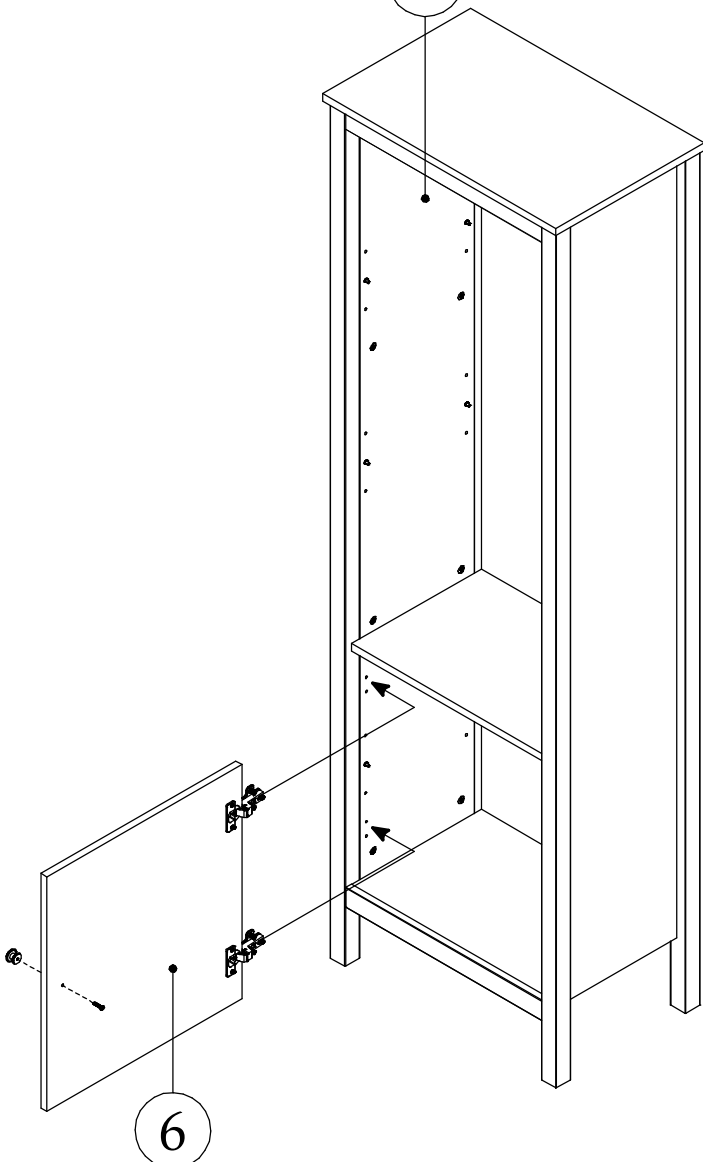


▶ 10

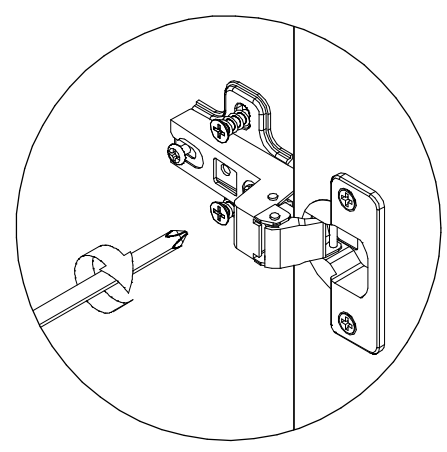


2

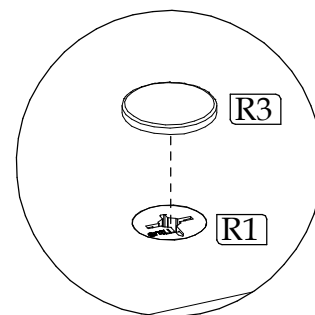
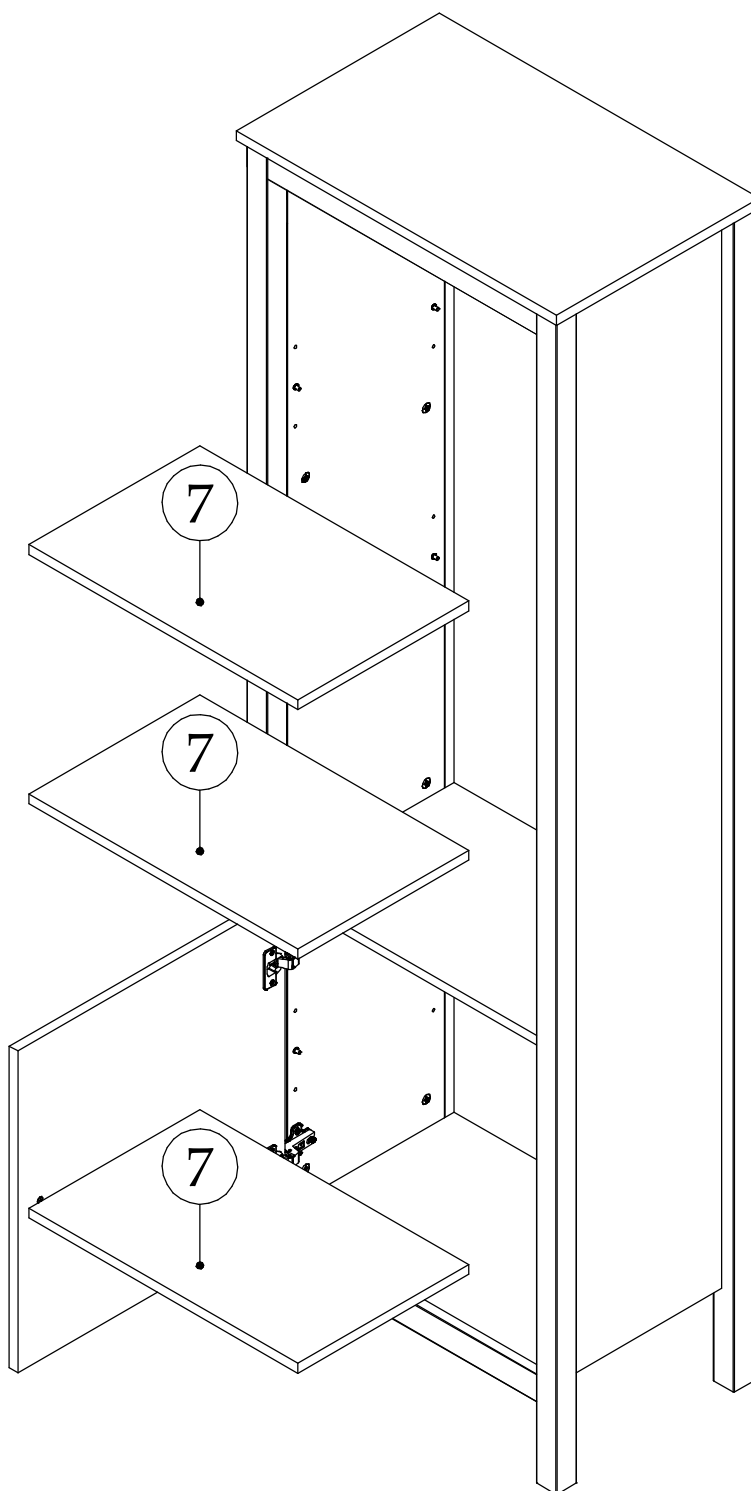
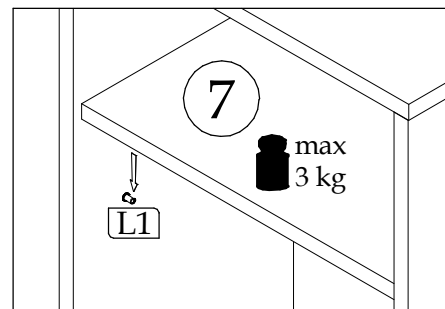
3



<p>+ 2 mm - 2 mm</p>	<p>+ 3 mm - 1 mm</p>	<p>+ 5 mm - 1.5 mm</p>



▶ 11



► 12

