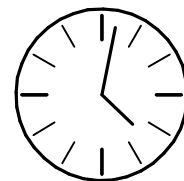
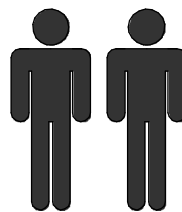
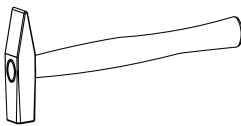
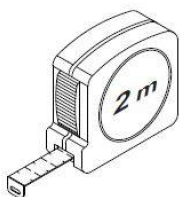
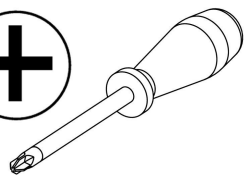
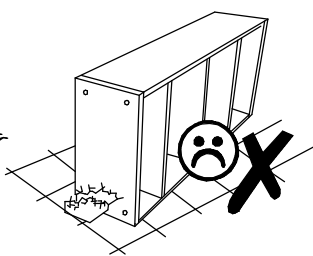
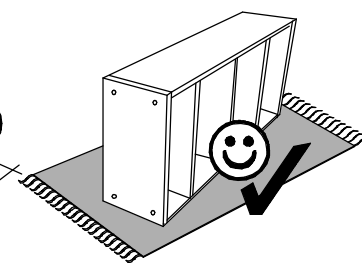
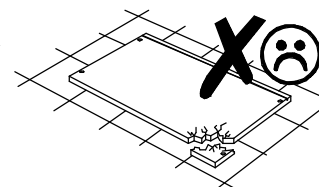
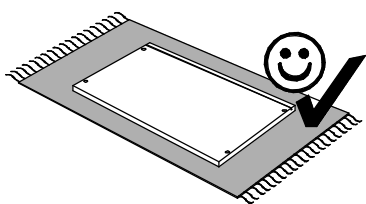
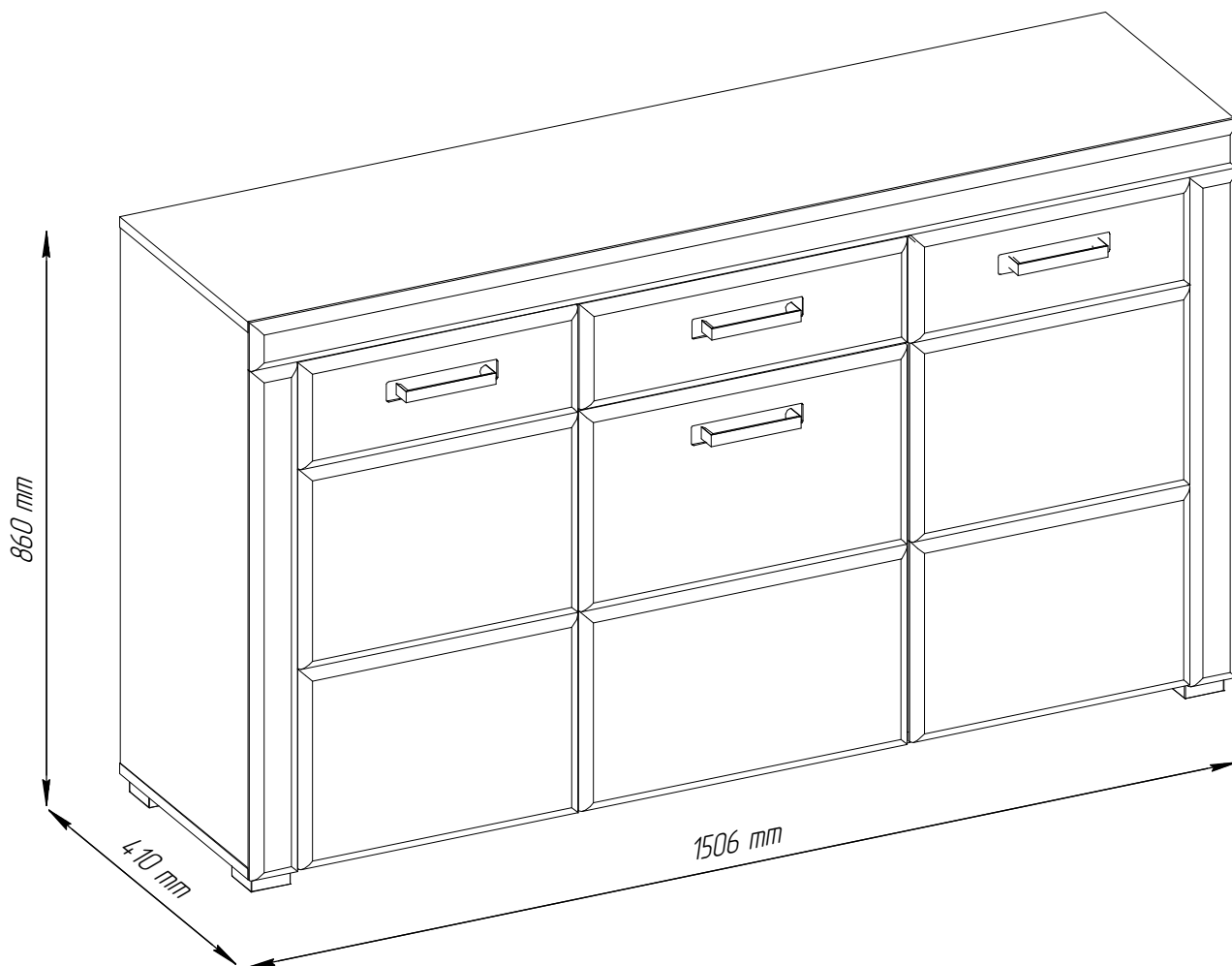
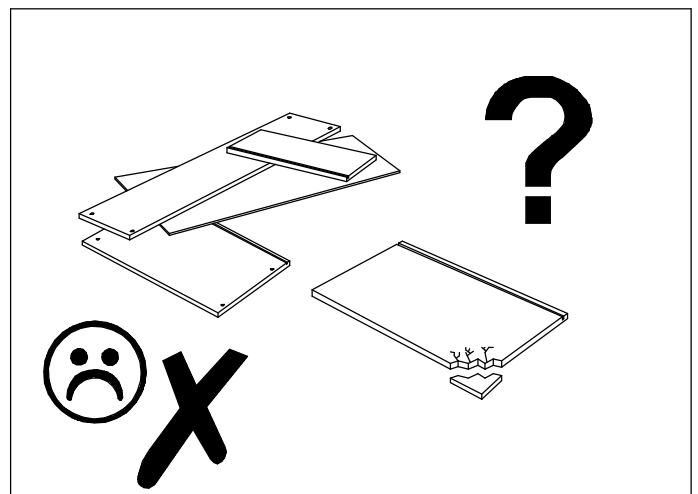
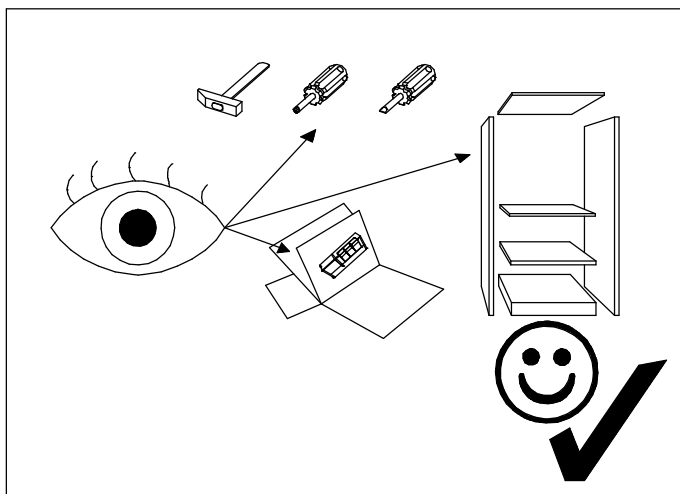
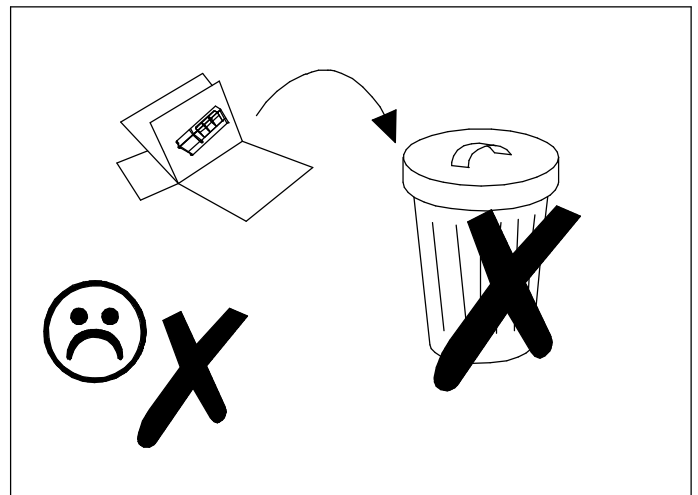
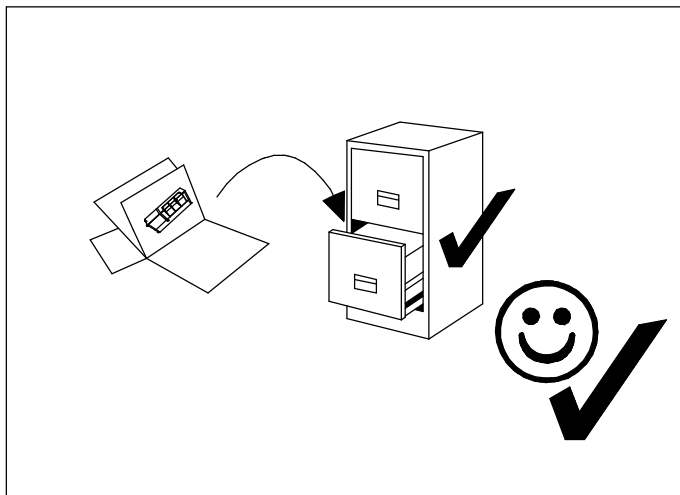
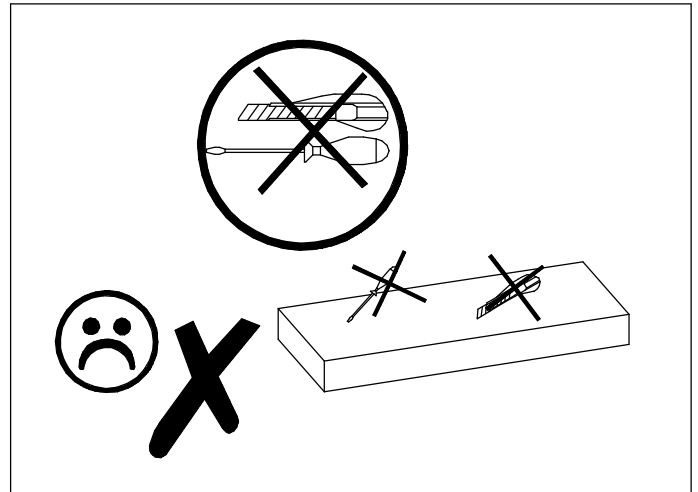
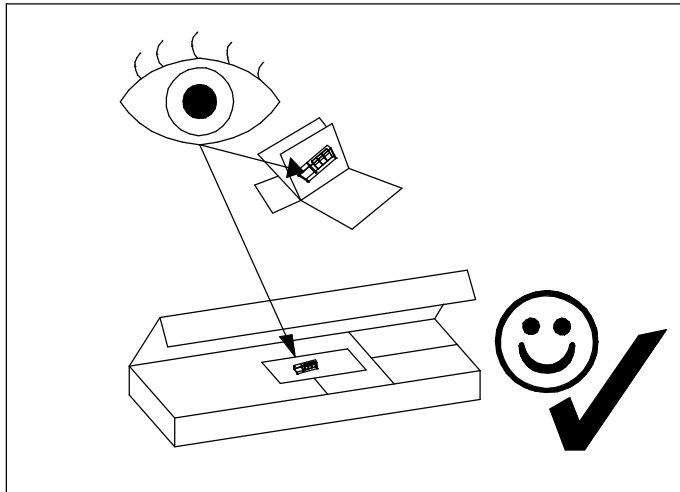


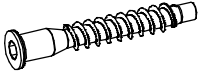


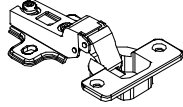
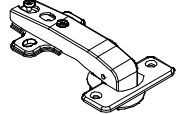
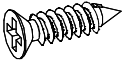
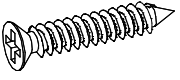
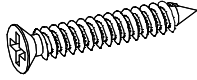
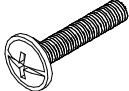
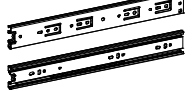
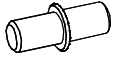
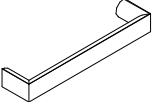
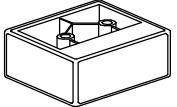
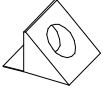
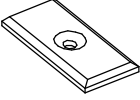




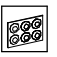
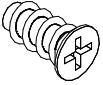
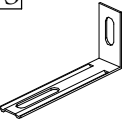
# POLDARK E

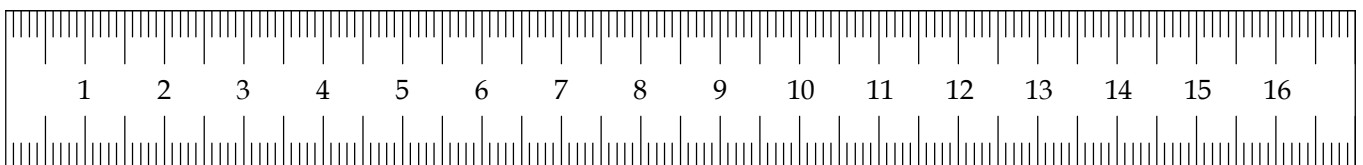
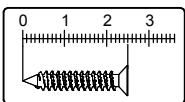


90 min

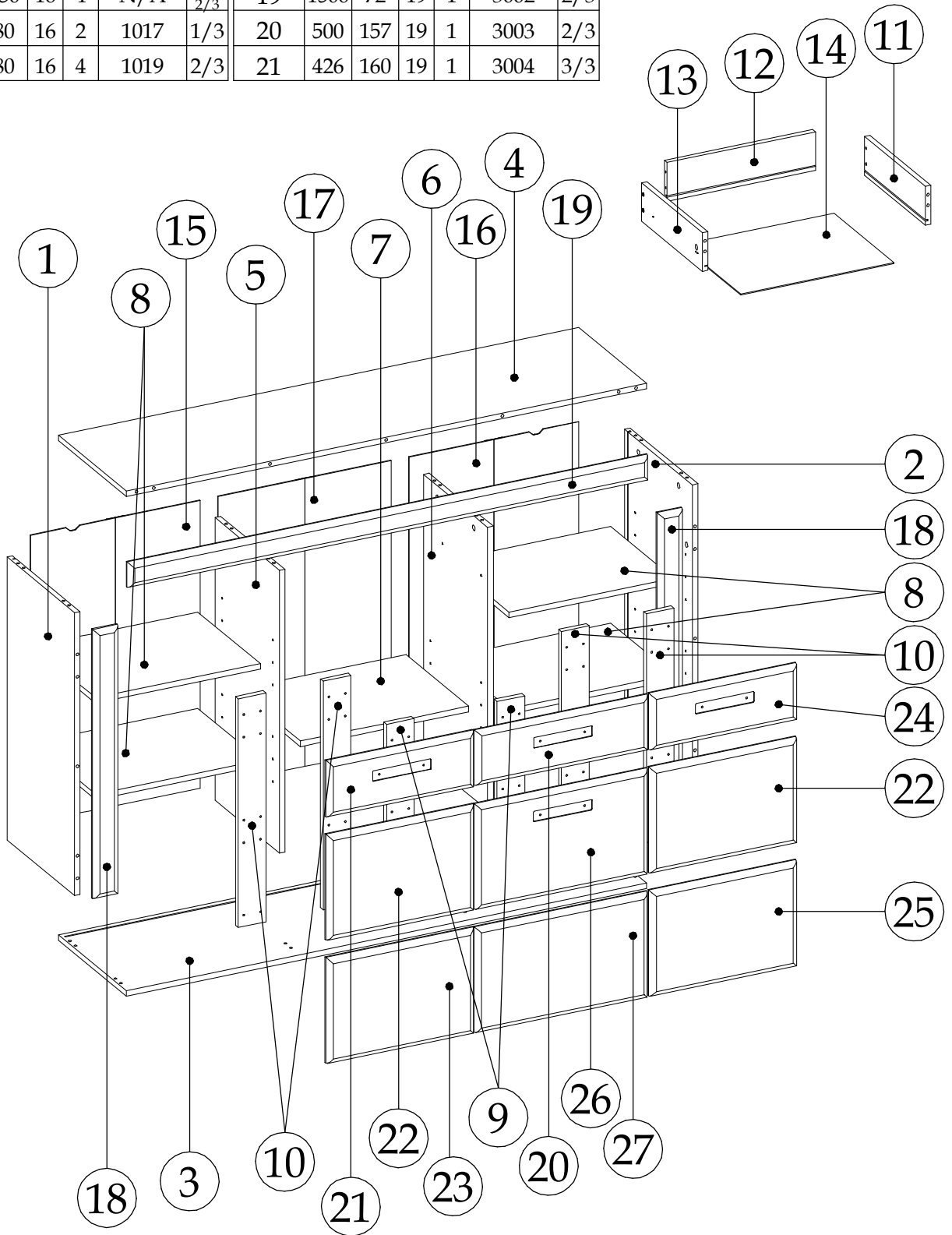


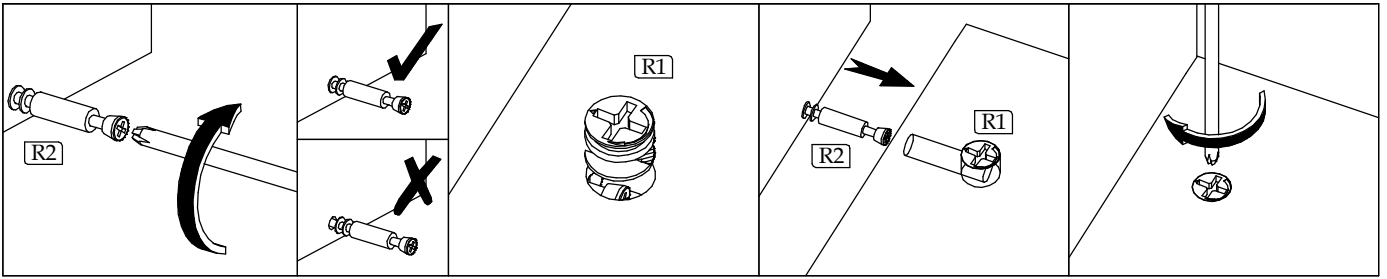


<b>A1</b> x12  6.4x50	<b>A3</b> x1  4mm	<b>B</b> x26  8x30	<b>C2</b> x2 	<b>C3</b> x4 	<b>E</b> x41  3.5x16
<b>E4</b> x56  3.5x30	<b>E5</b> x12  4x35	<b>E8</b> x8 	<b>KN</b> x1  L-350mm	<b>L1</b> x20 	<b>M</b> x4 
<b>N1</b> x6 	<b>P</b> x13 	<b>P1</b> x8 	<b>R1</b> x19 	<b>R2</b> x19 	<b>R3</b> x19 
<b>S1</b> x8  	<b>T</b> x16  6.3x13	<b>W3</b> x2 			

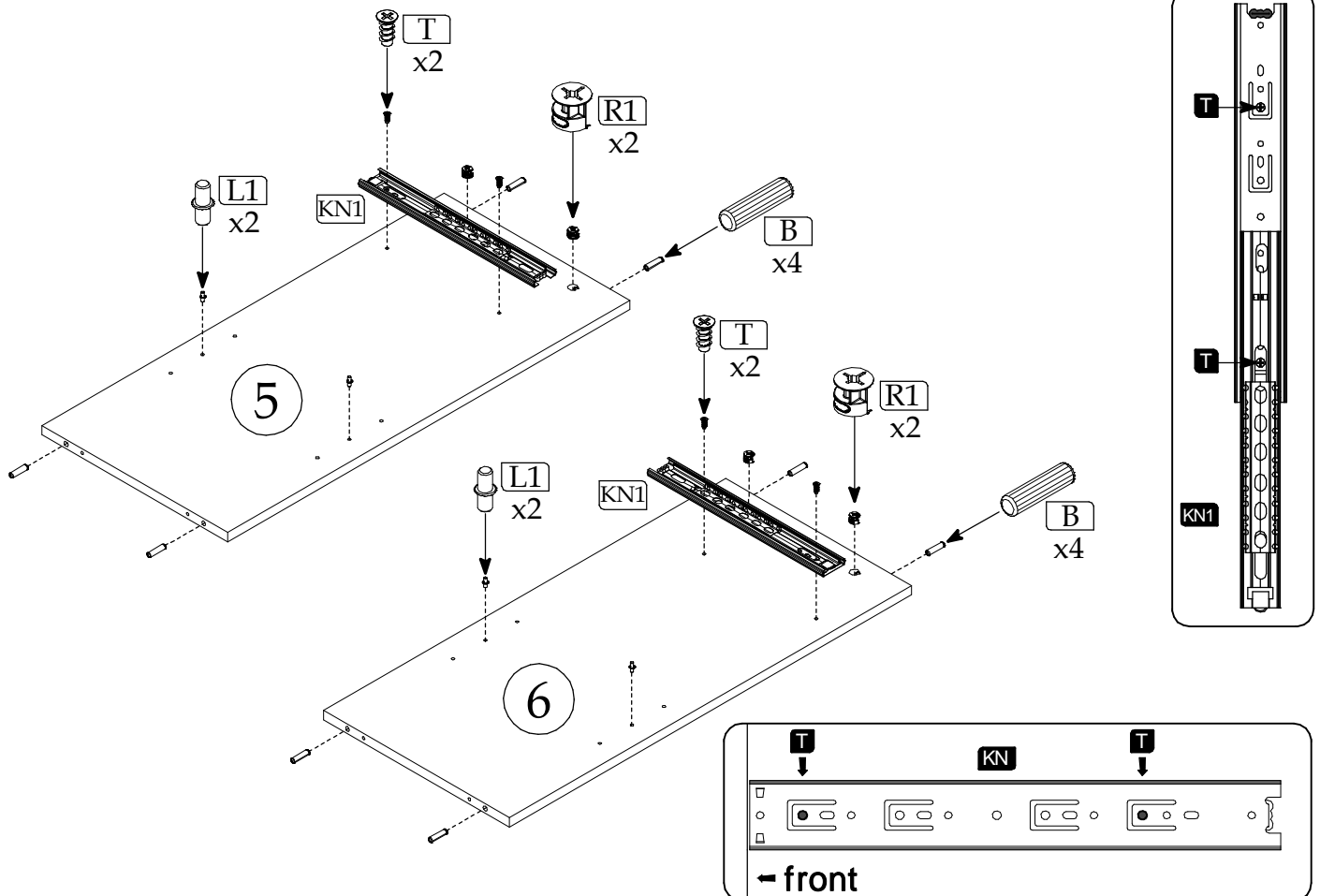
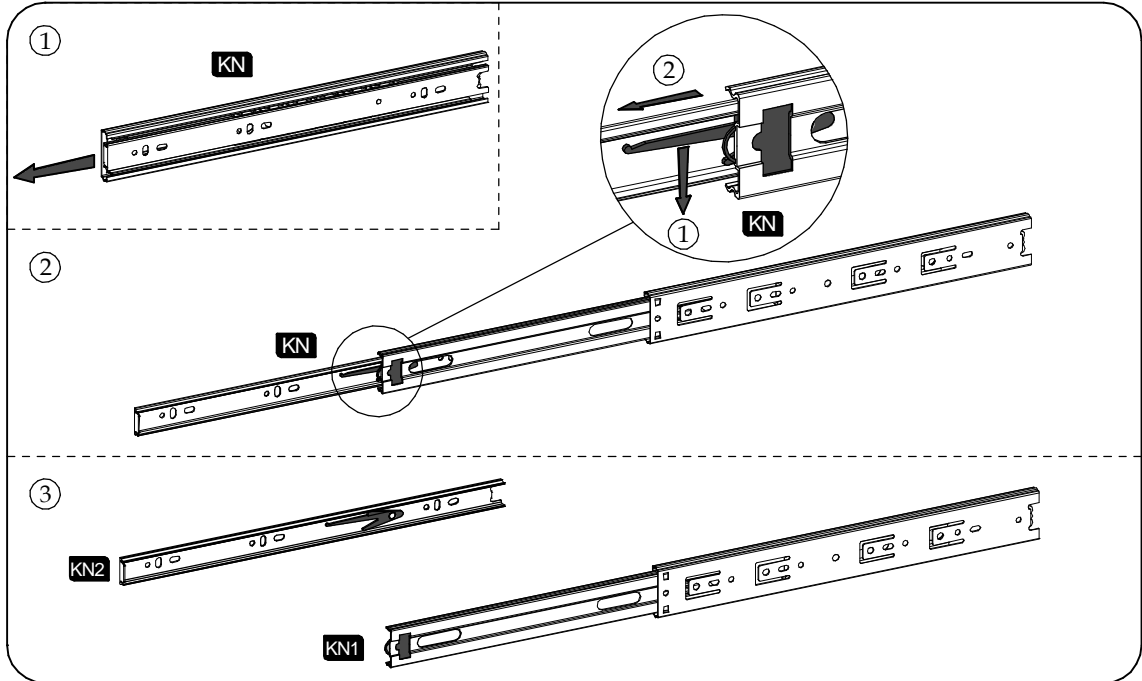


Element symbol	Measurements					Code	Paket														
								11	350	110	16	1	1014	2/3	22	426	300	19	2	3010	3/3
1	803	391	16	1		1001	1/3	12	429.5	110	16	1	1015	1/3	23	426	300	19	1	3006	3/3
2	803	391	16	1		1002	1/3	13	350	110	16	1	1016	2/3	24	426	160	19	1	3005	3/3
3	1506	391	16	1		1003	2/3	14	443.5	346	3	1	N/A	2/3	25	426	300	19	1	3007	3/3
4	1506	391	16	1		1004	2/3	15	817.5	491	3	1	1024	1/3	26	500	300	19	1	3008	3/3
5	803	371	16	1		1005	1/3	16	817.5	491	3	1	1025	1/3	27	500	300	19	1	3009	3/3
6	803	371	16	1		1006	1/3	17	817.5	502	3	1	N/A	1/3							
7	487	350	16	1		N/A	2/3	18	764	72	19	2	3001	2/3							
8	476	350	16	4		N/A	1/3, 2/3	19	1506	72	19	1	3002	2/3							
9	490	80	16	2		1017	1/3	20	500	157	19	1	3003	2/3							
10	650	80	16	4		1019	2/3	21	426	160	19	1	3004	3/3							

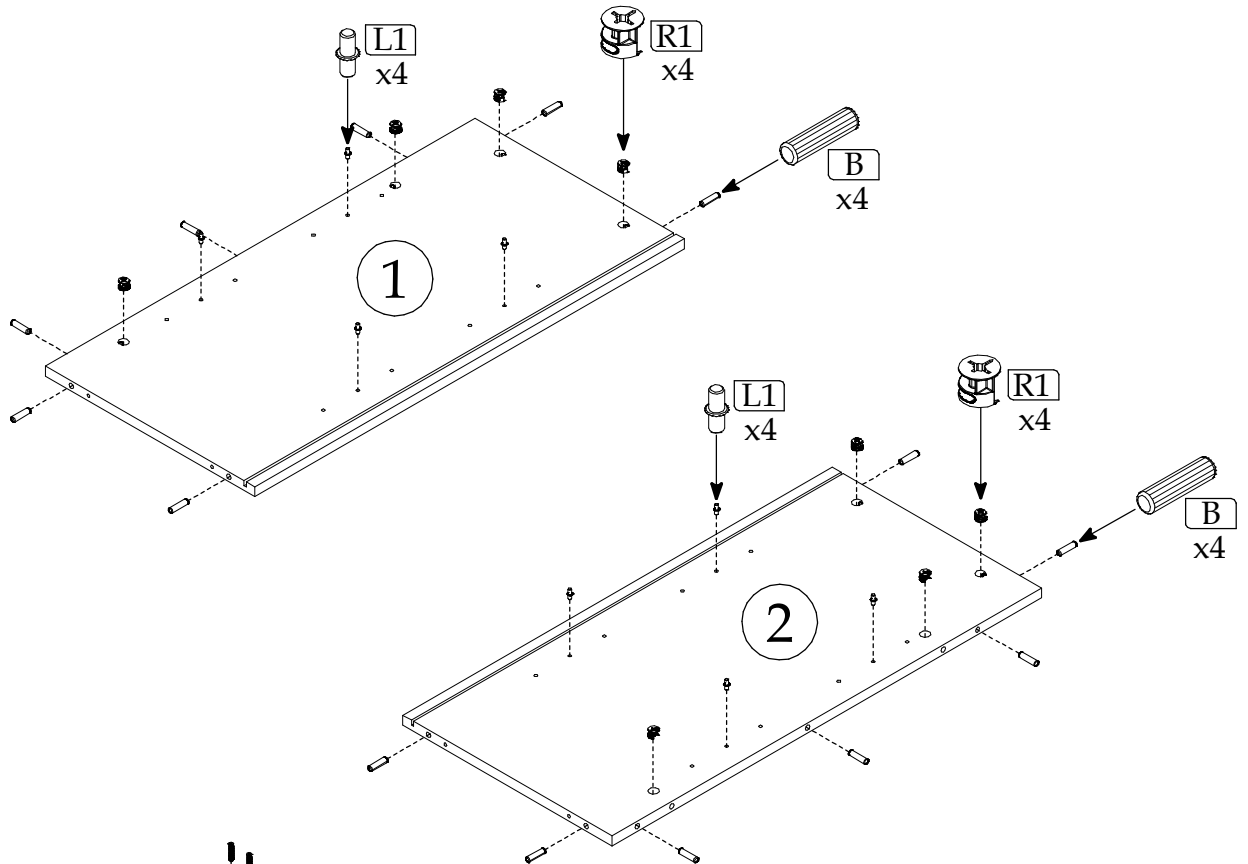




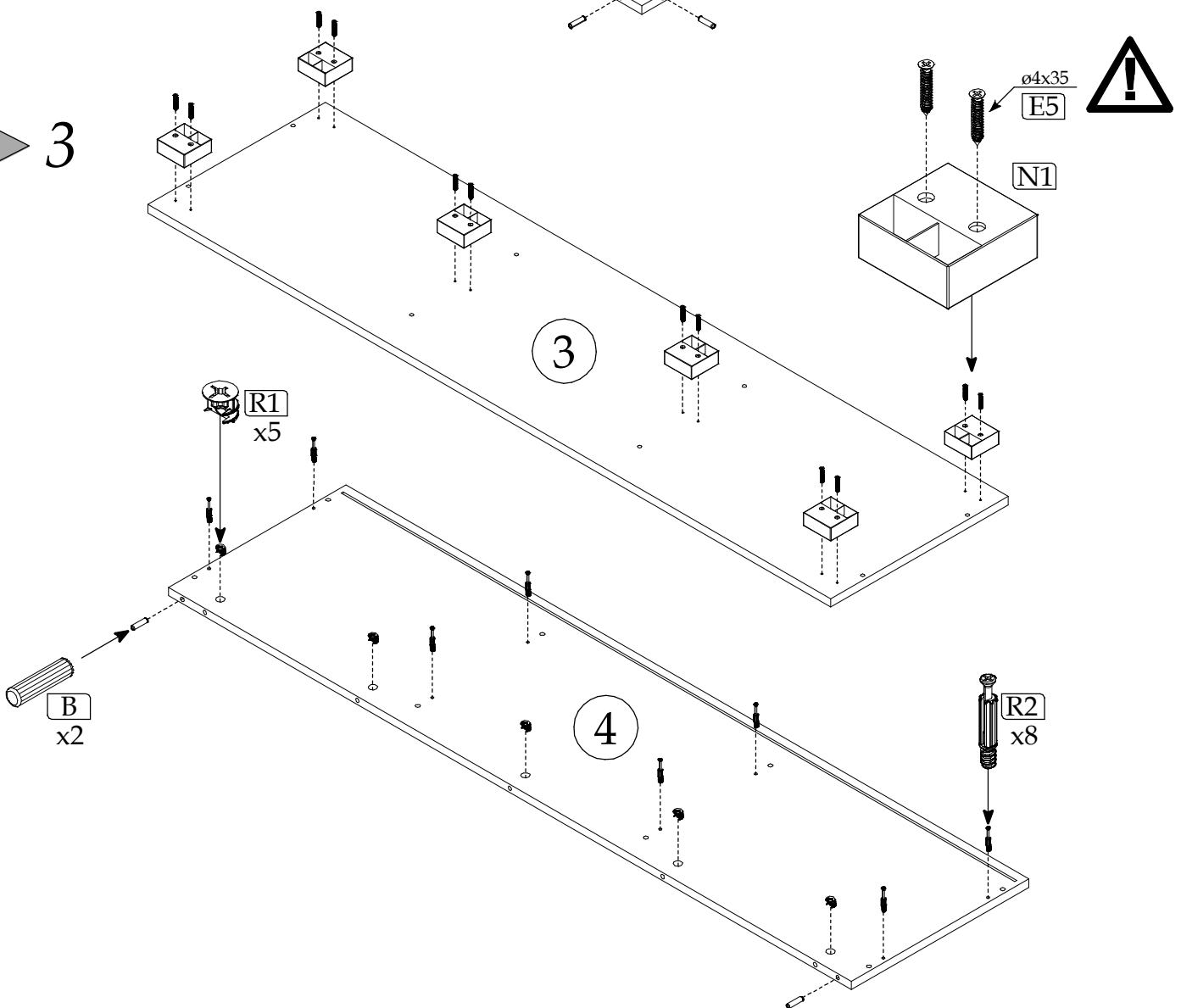
▶ 1



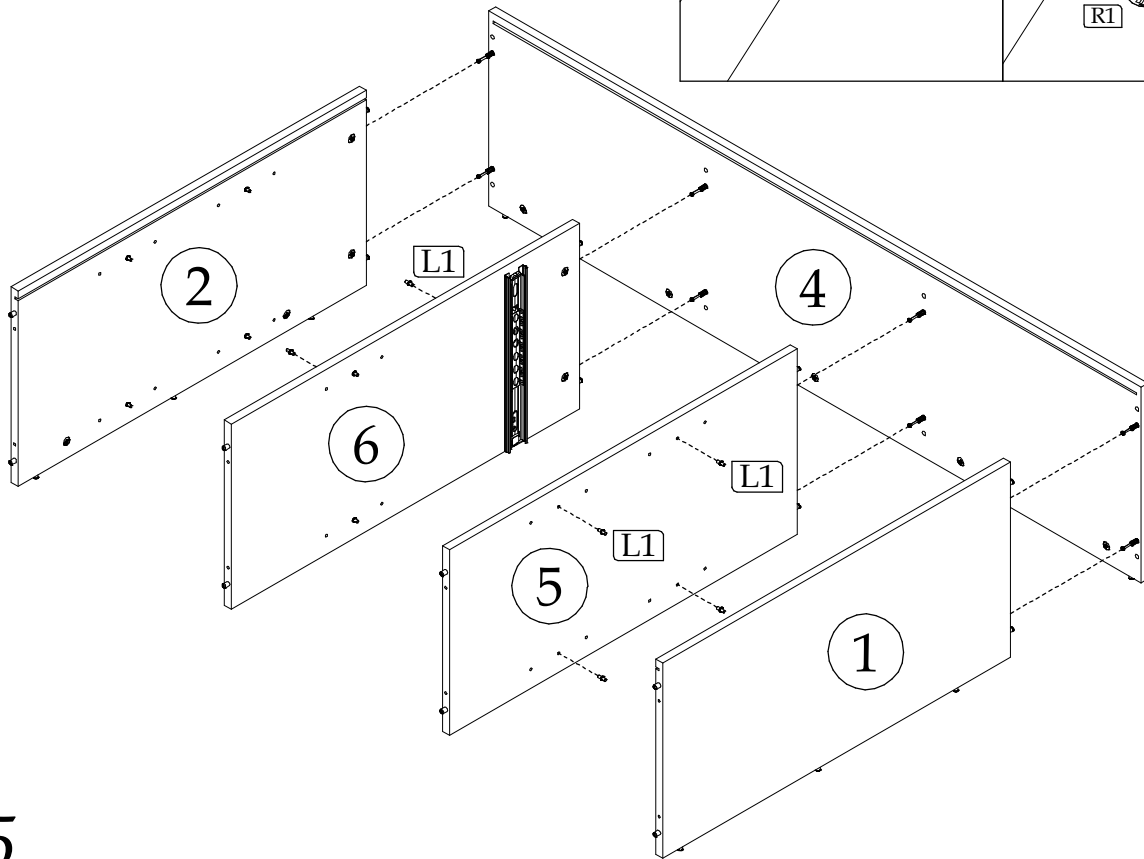
▶ 2



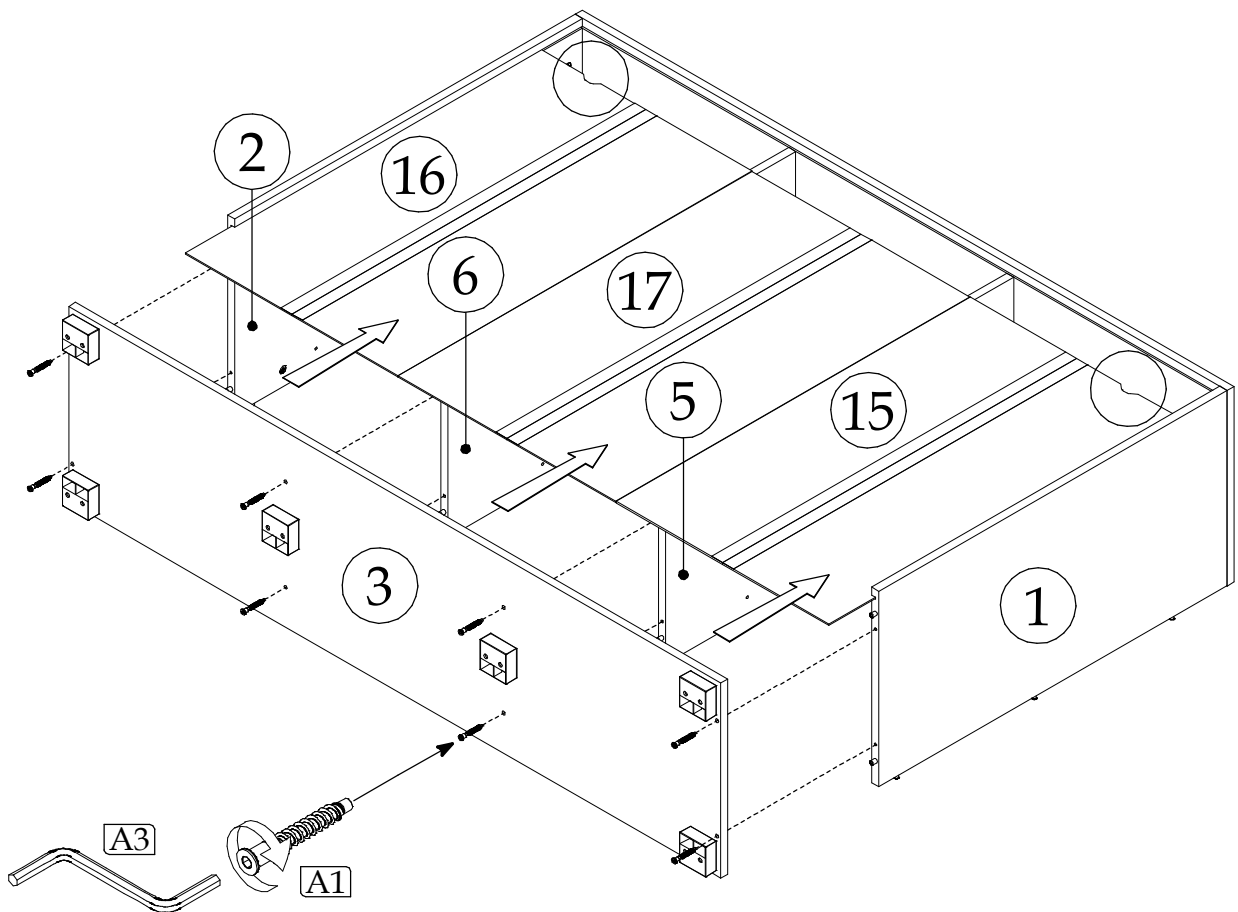
▶ 3



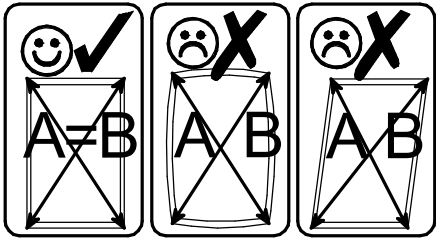
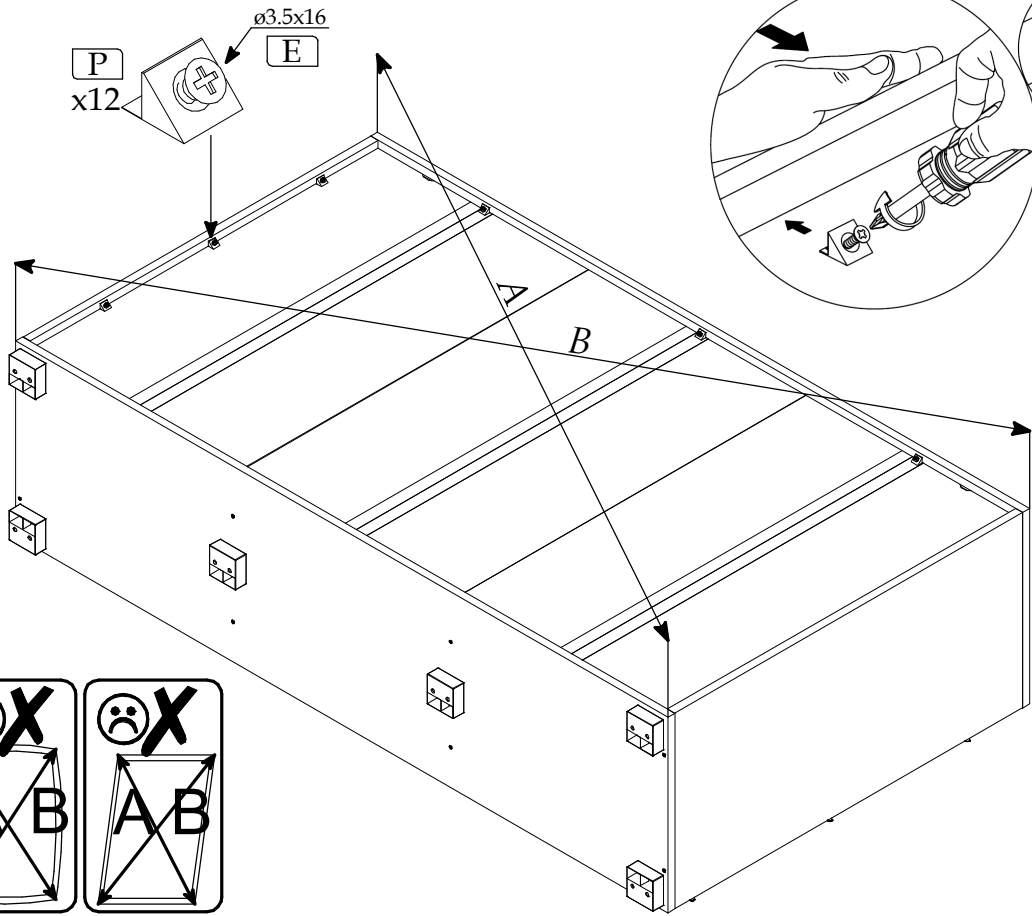
► 4



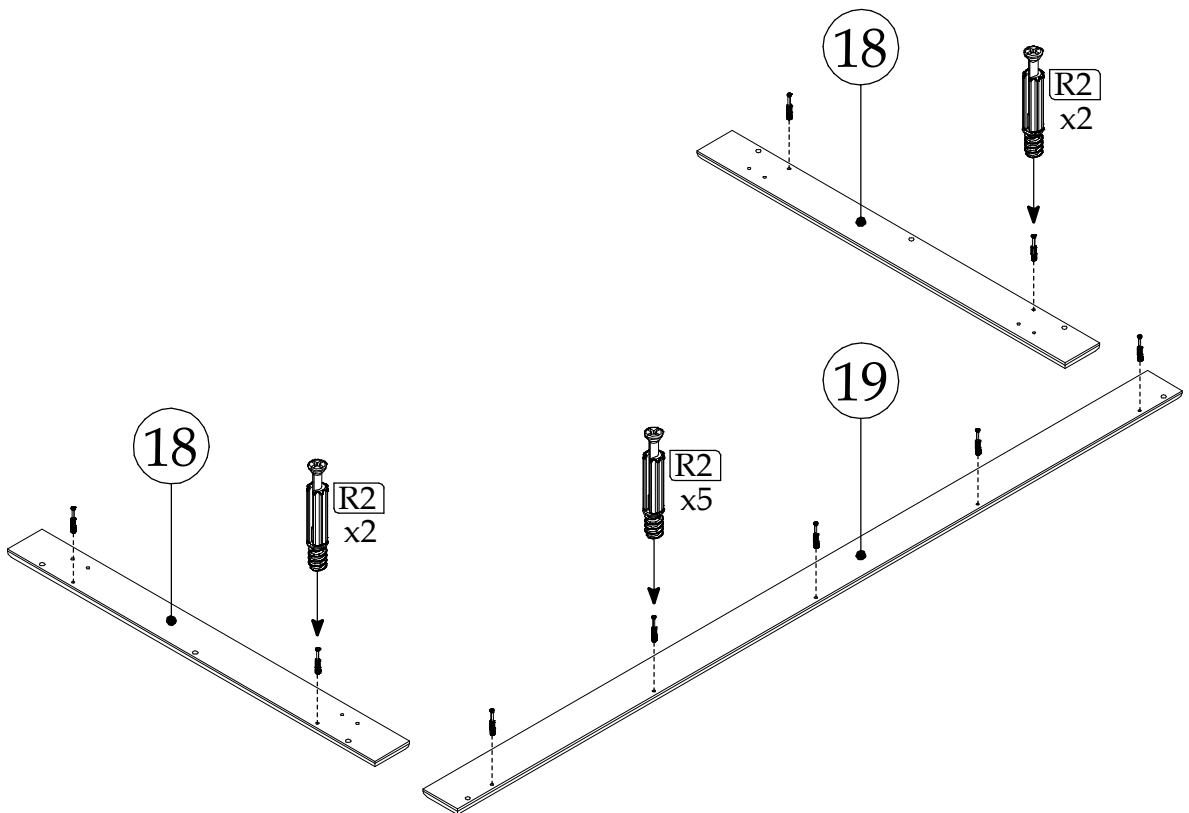
► 5



▶ 6

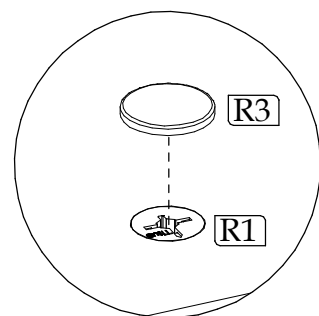
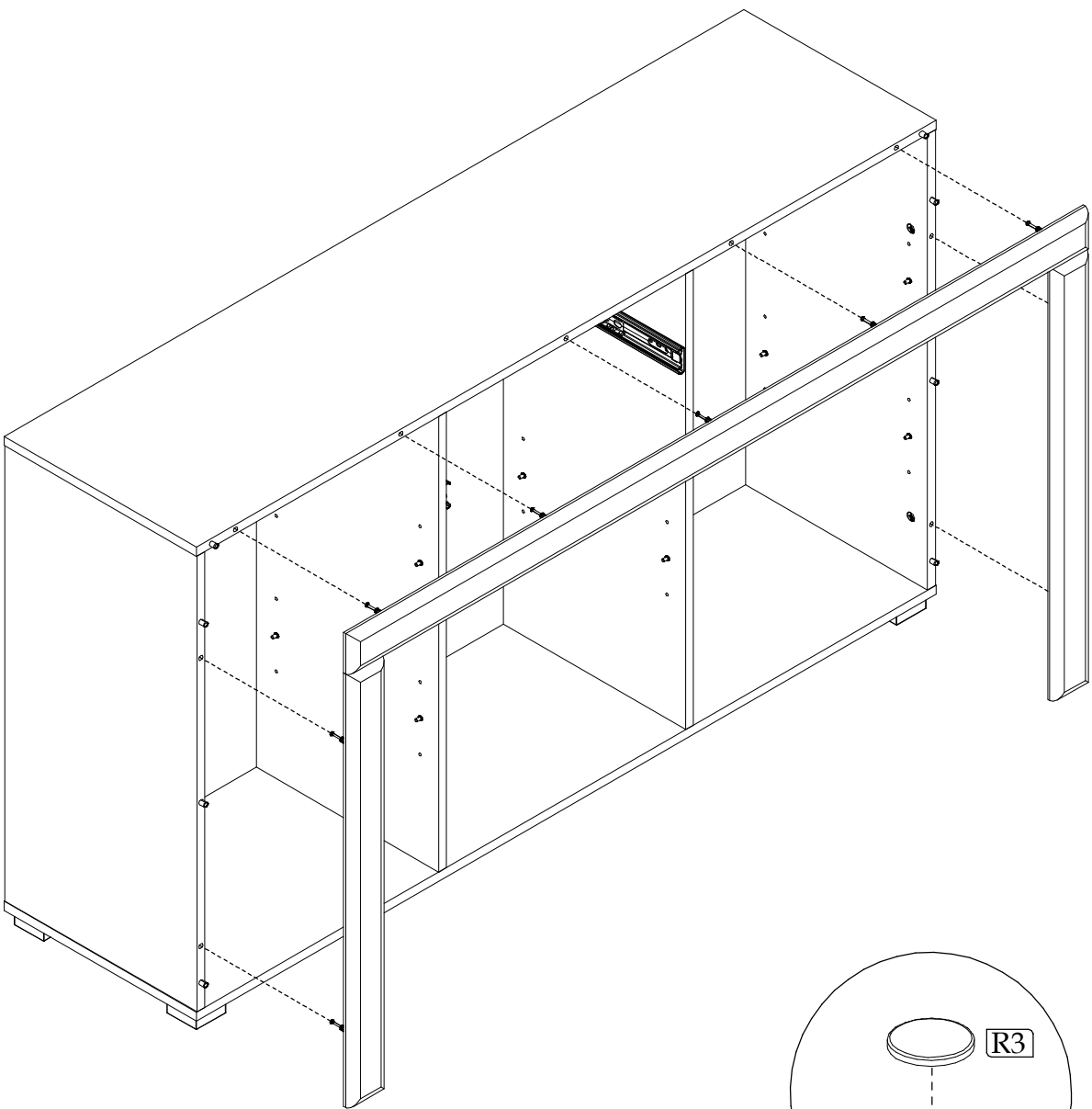
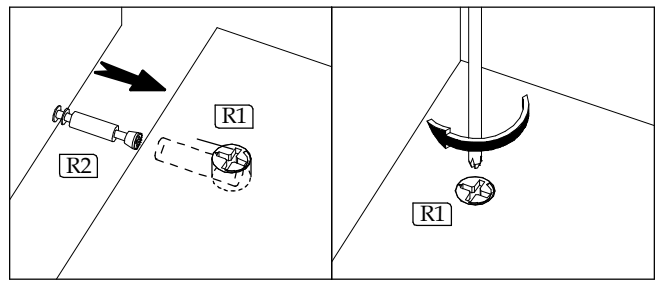


▶ 7

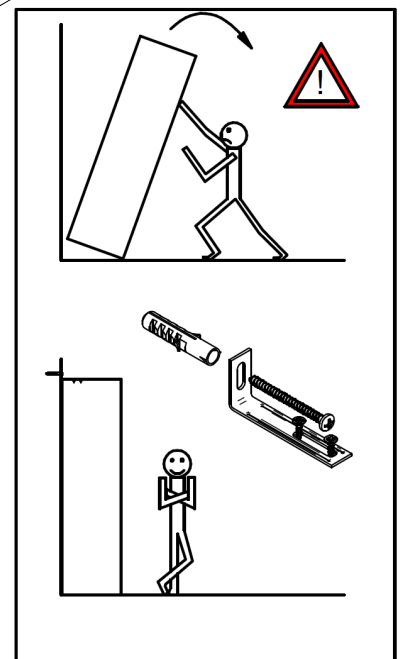
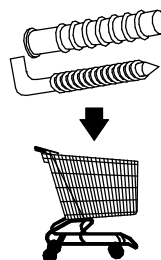
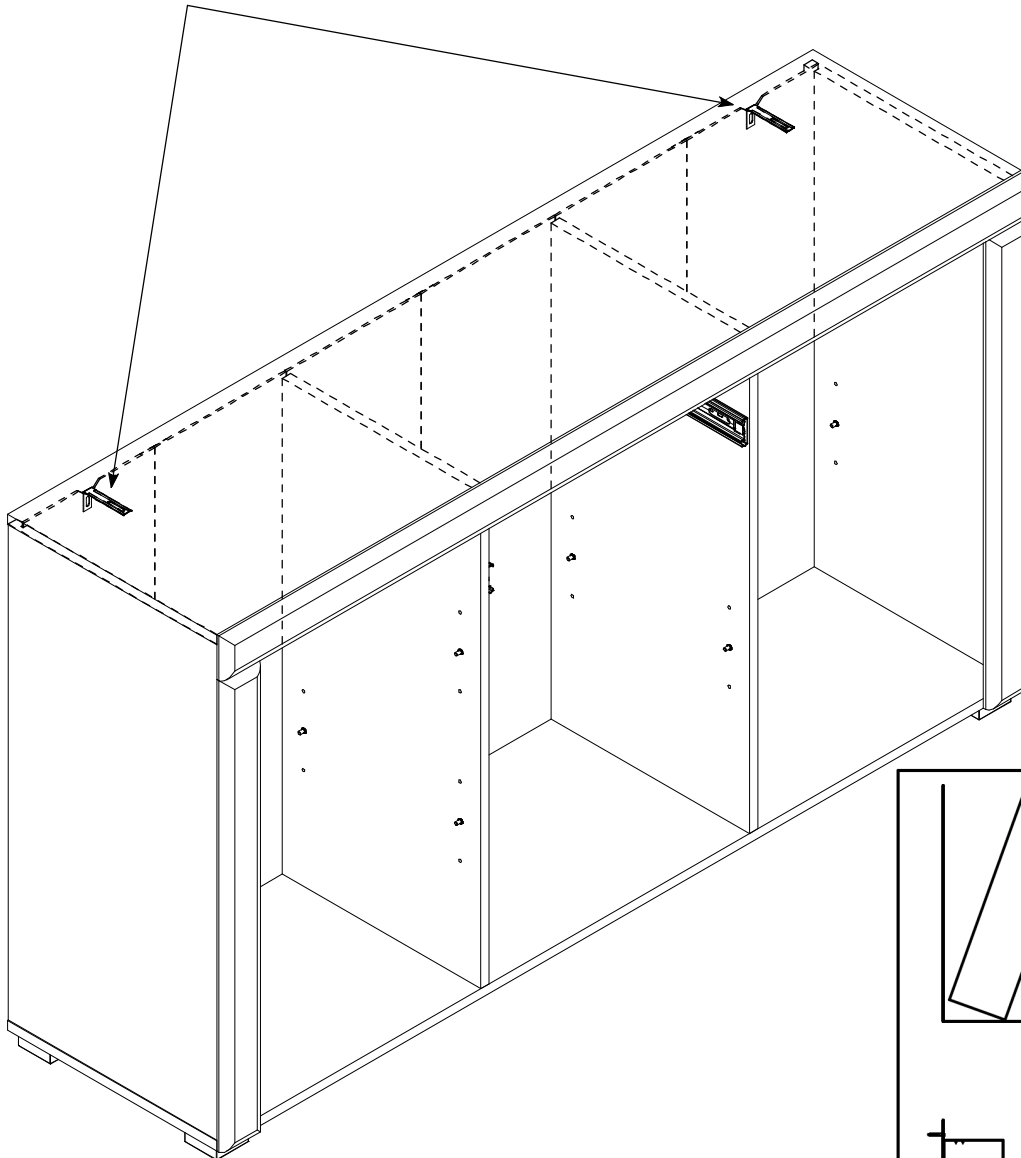
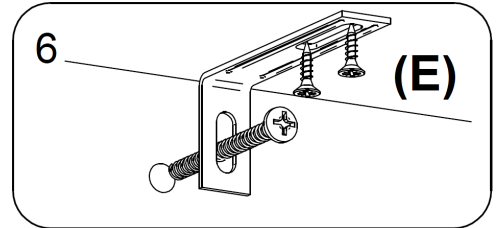
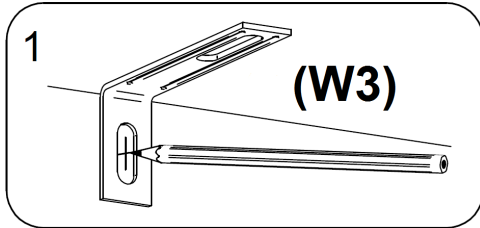
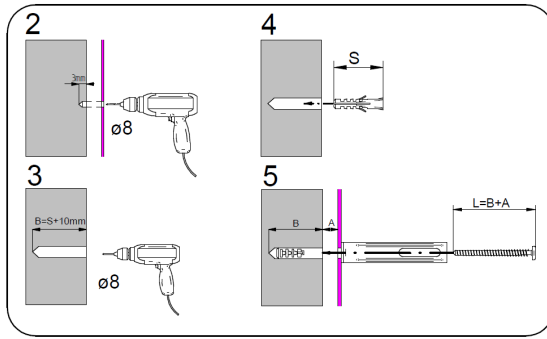




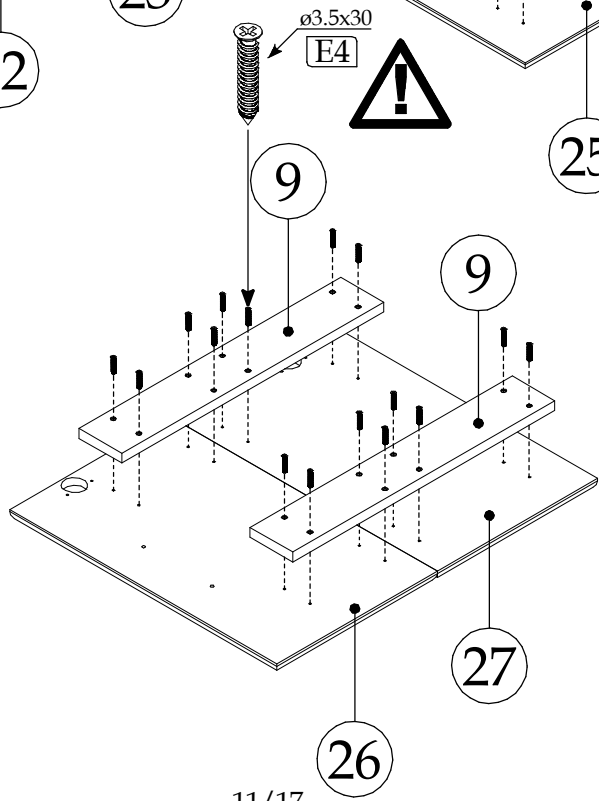
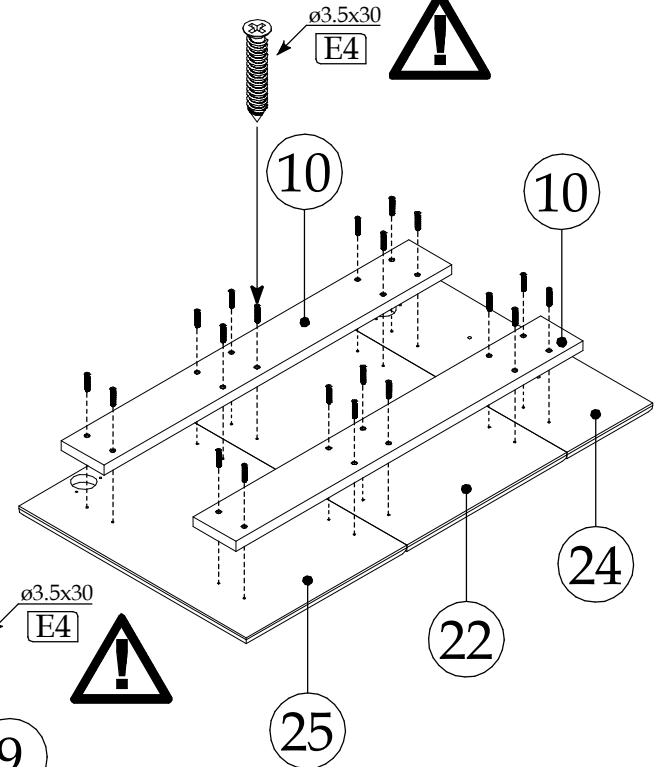
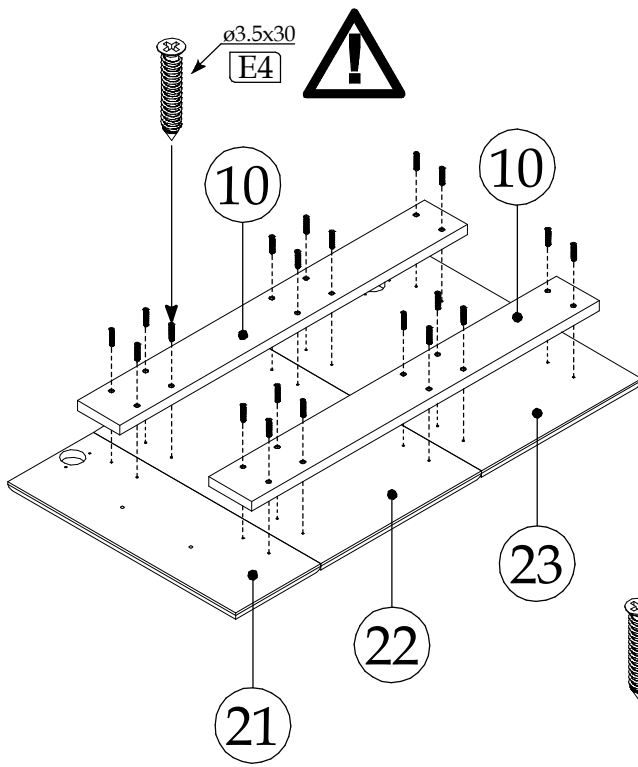
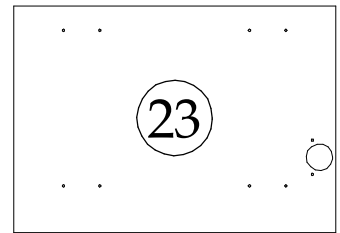
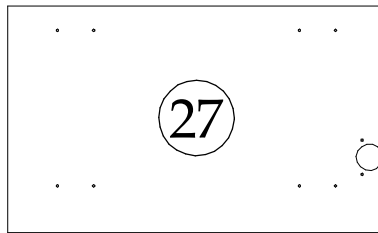
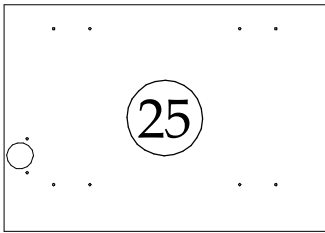
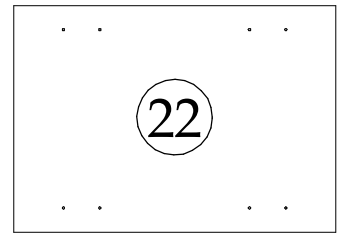
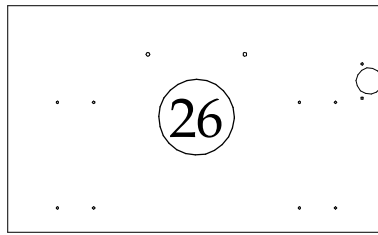
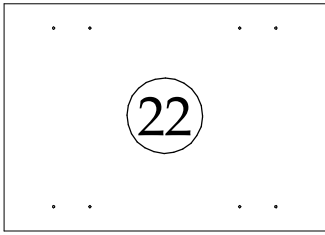
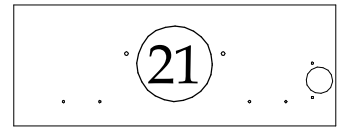
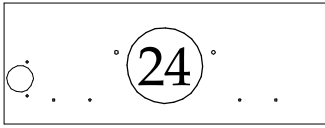
▶ 8



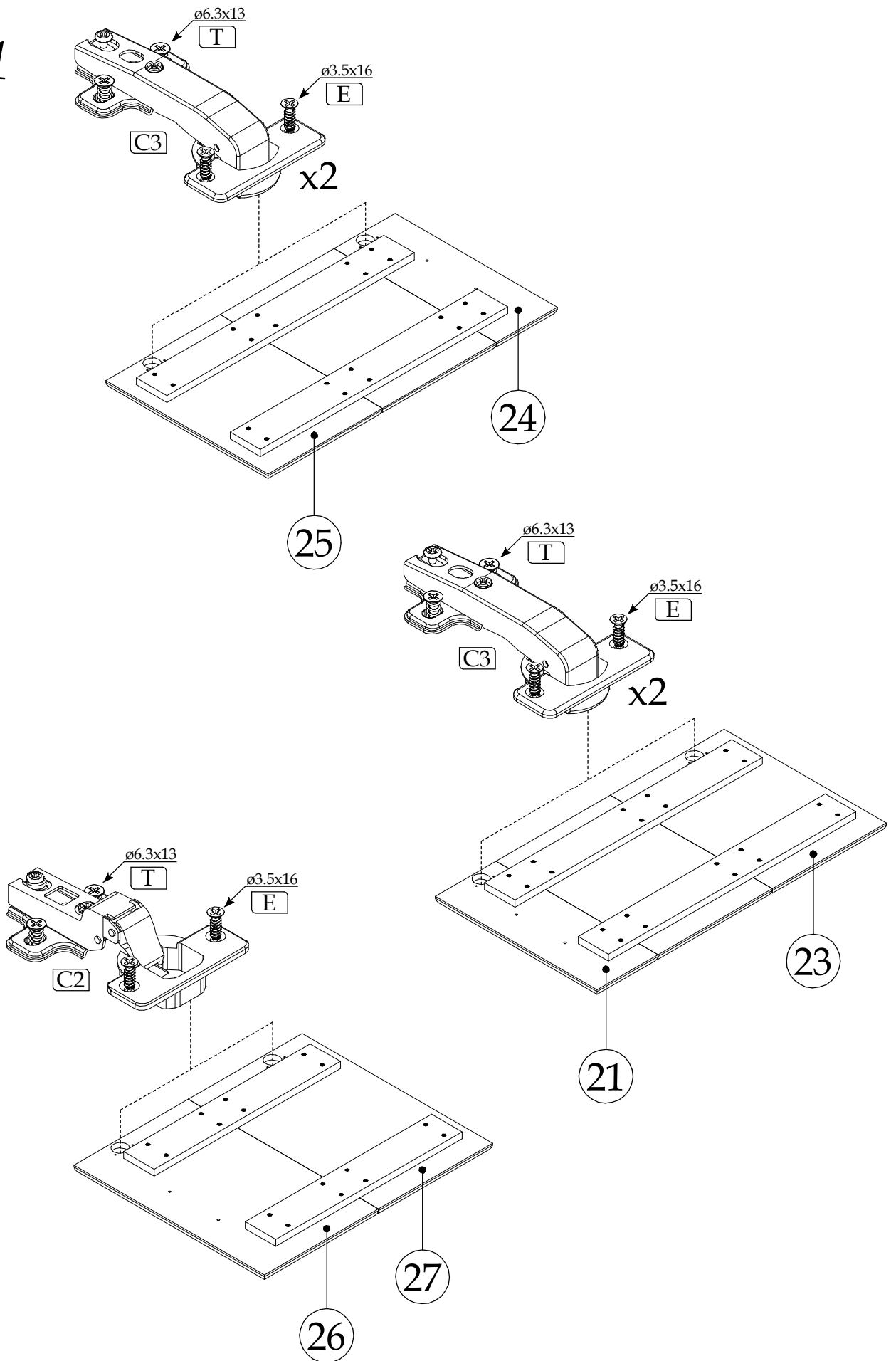
► 9



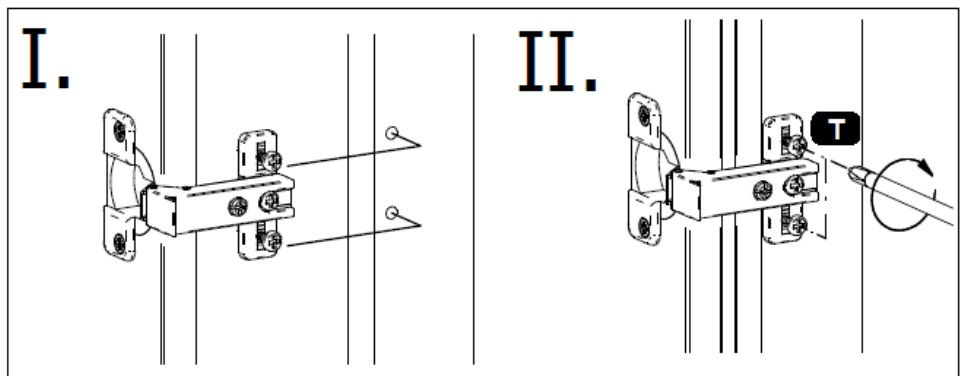
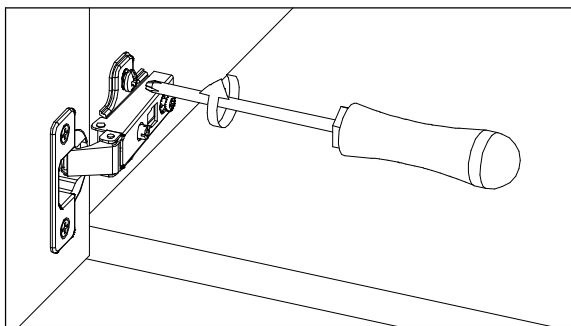
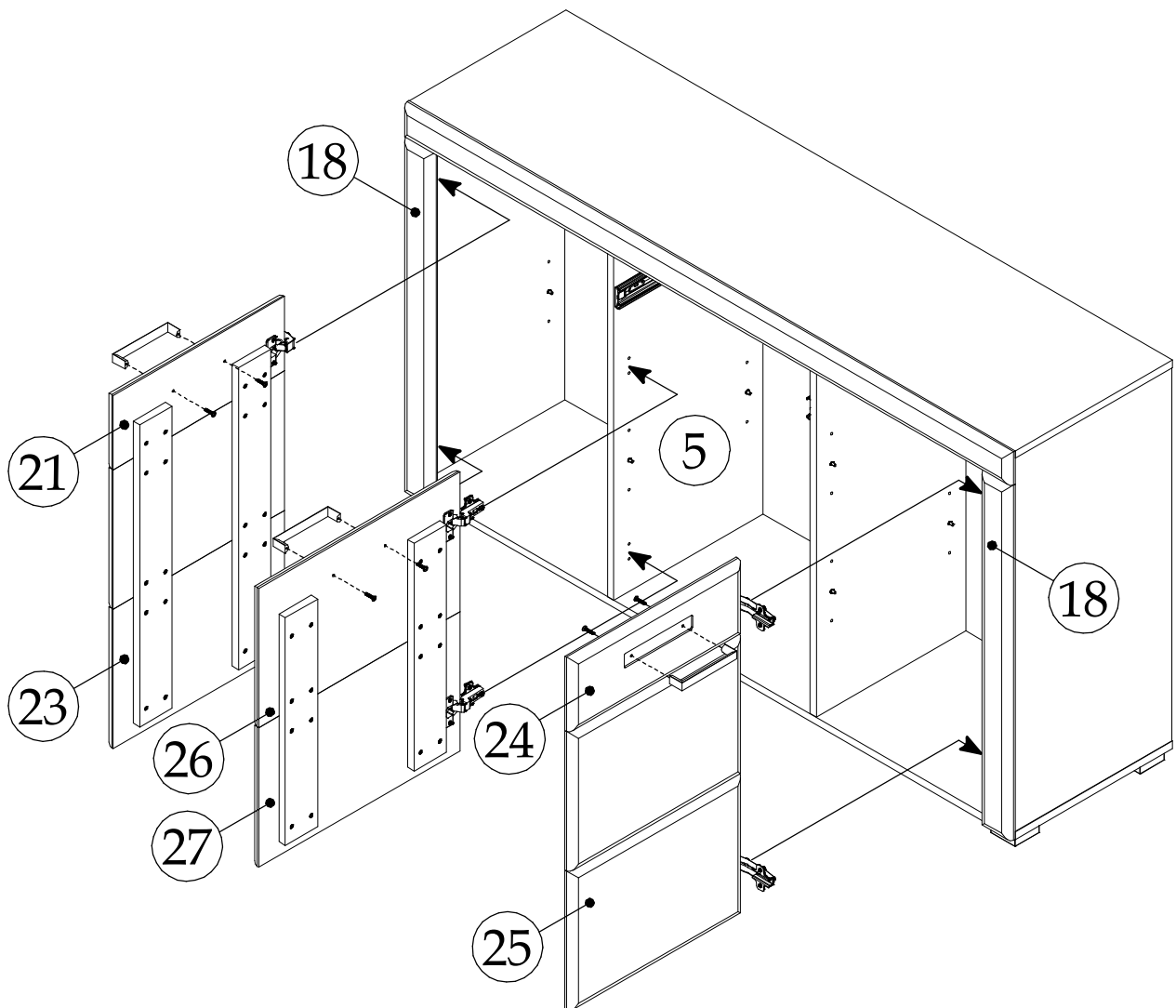
► 10



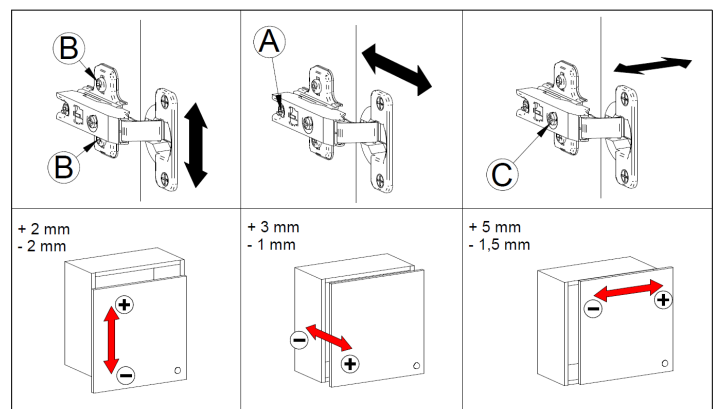
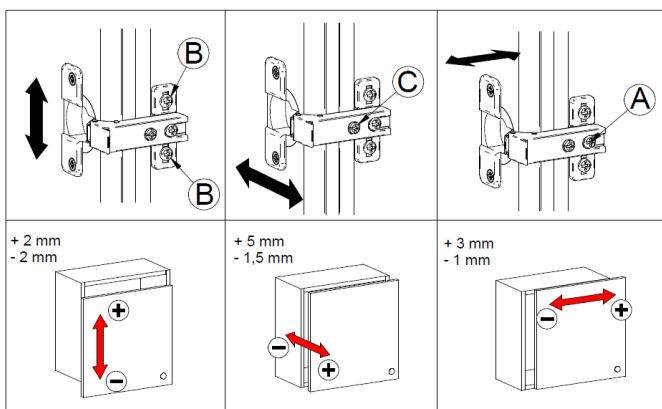
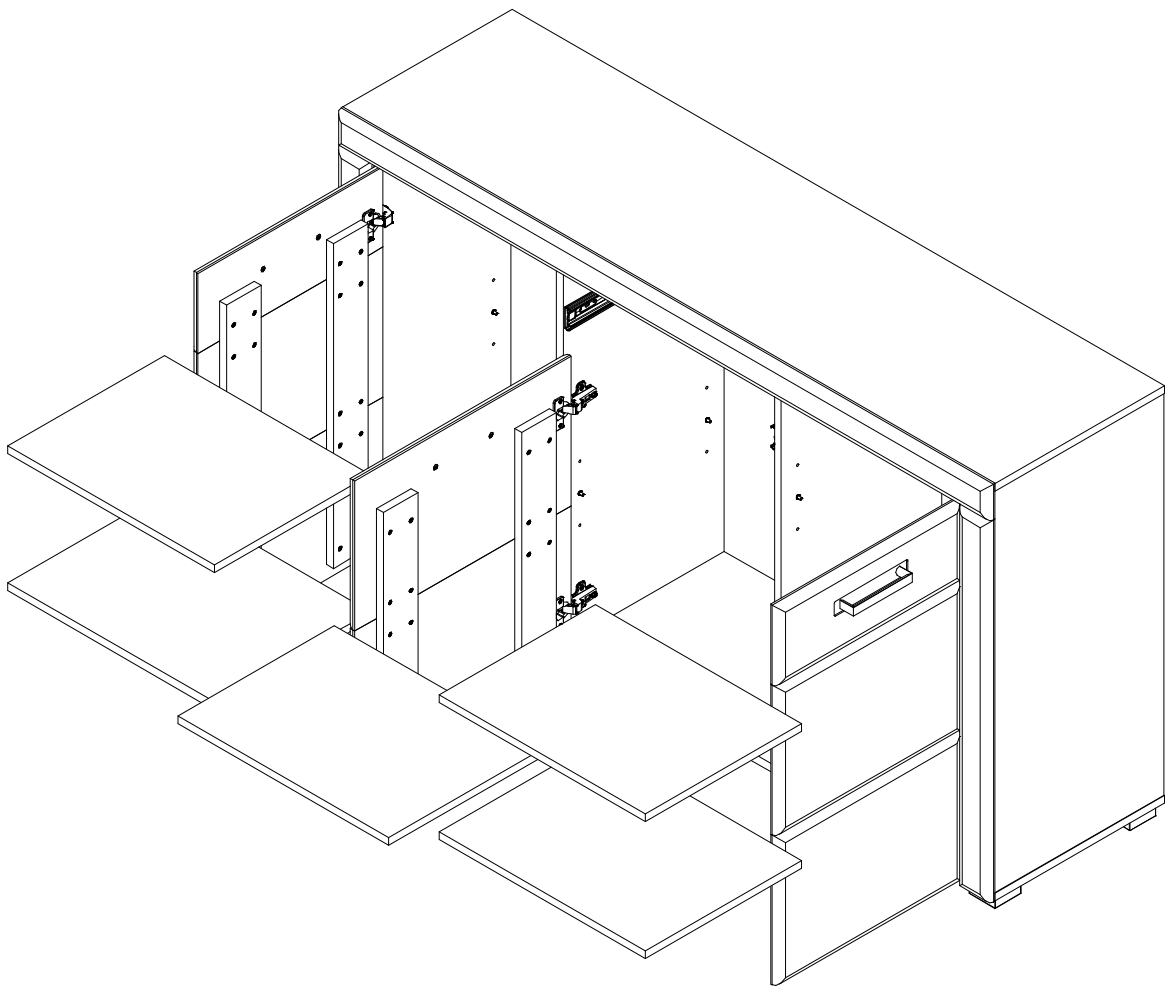
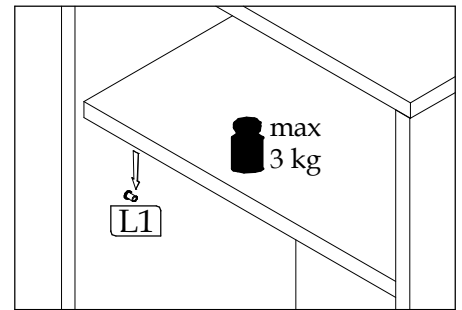
▶ 11



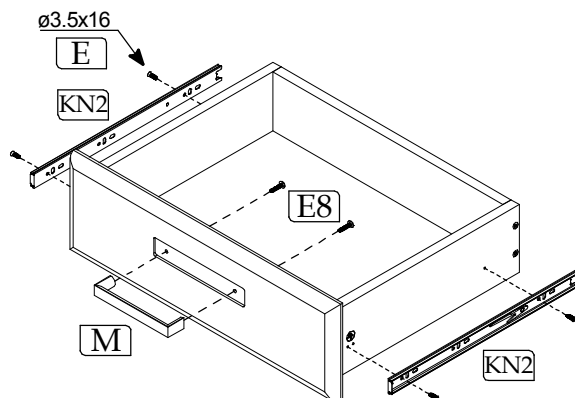
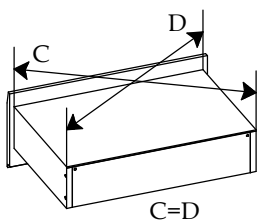
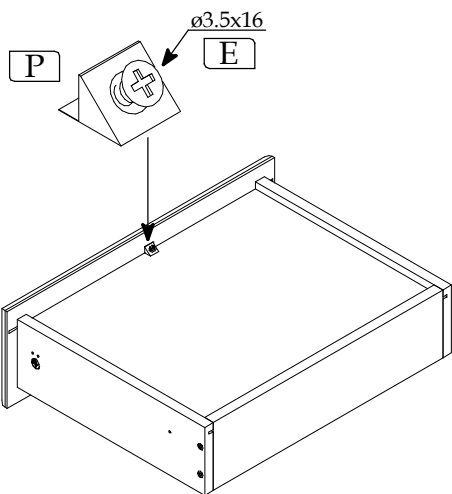
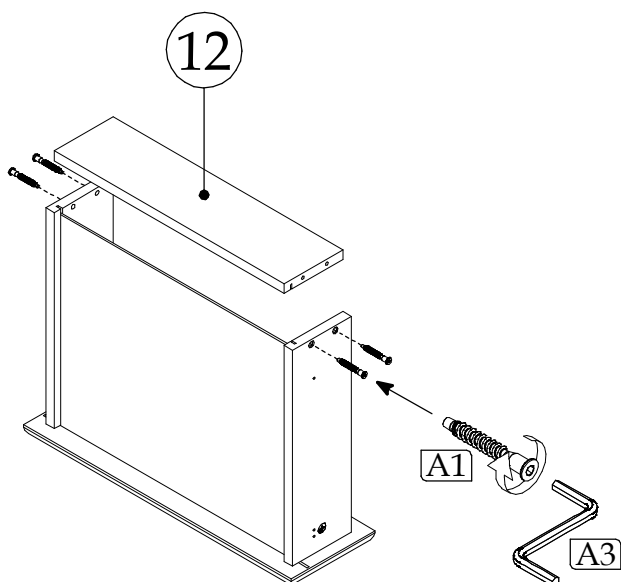
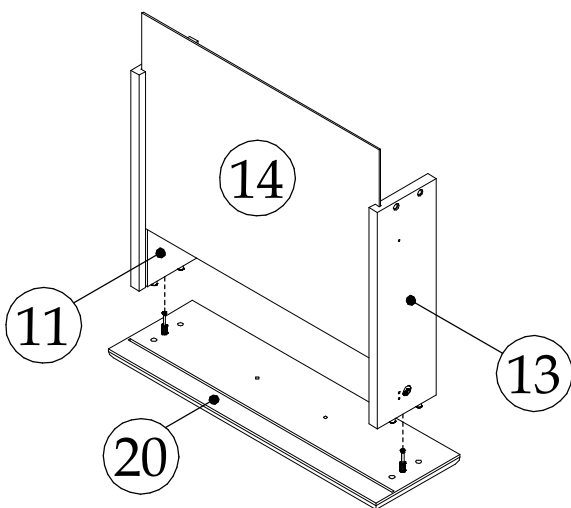
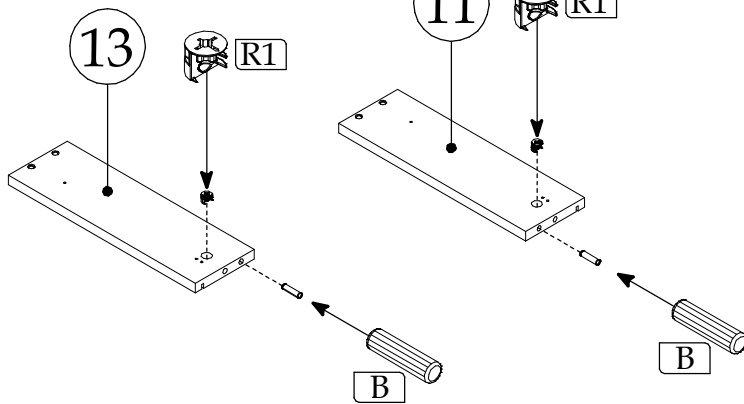
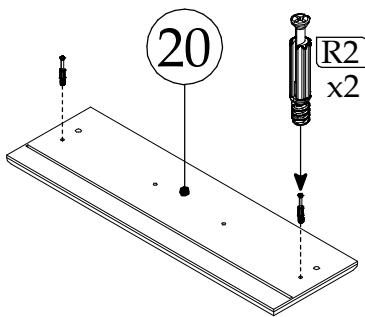
► 12



► 13



► 14



► 15

