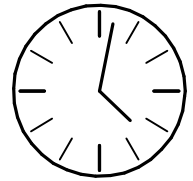
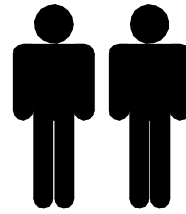
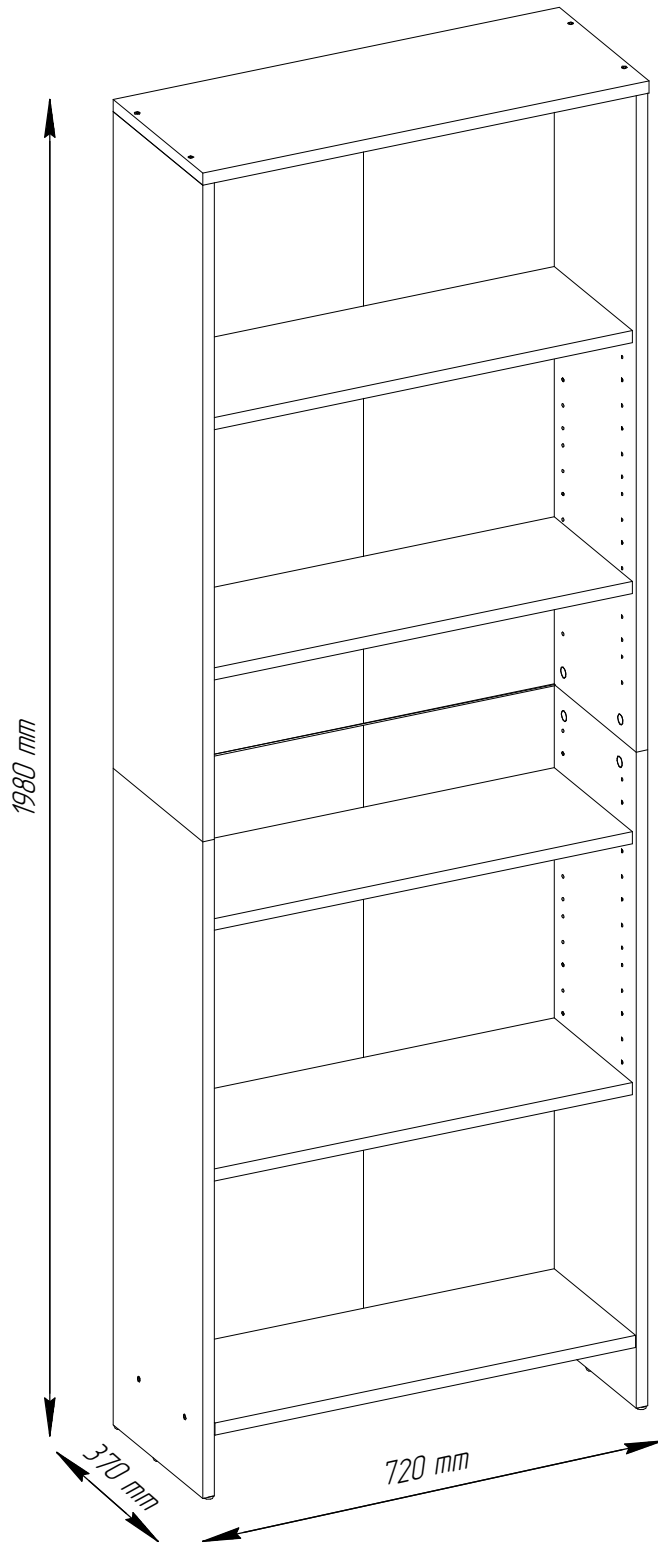
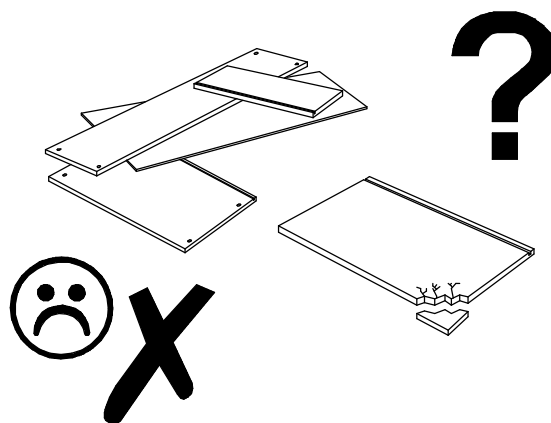
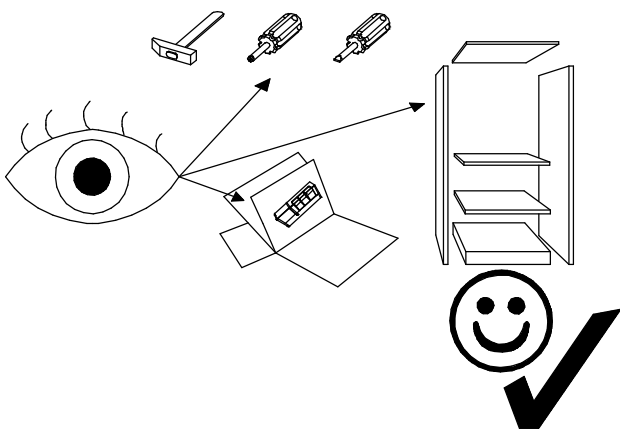
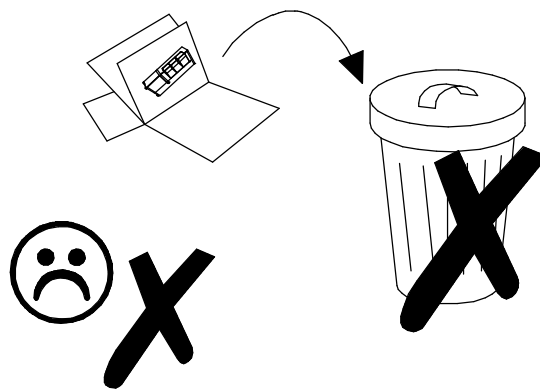
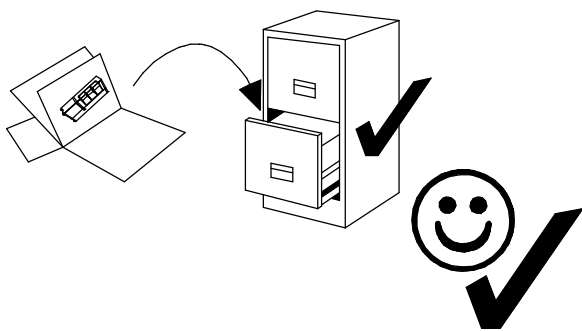
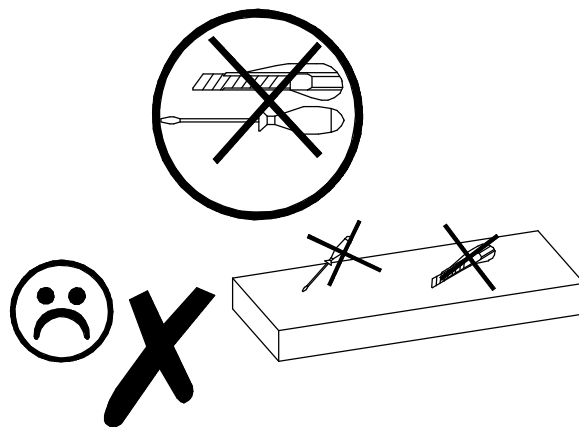
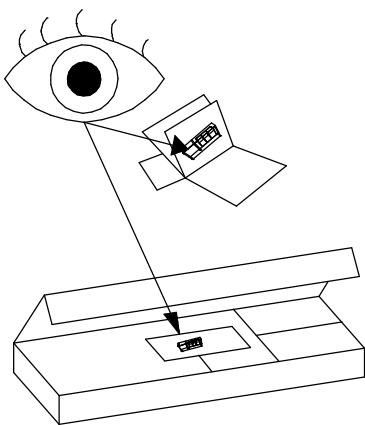


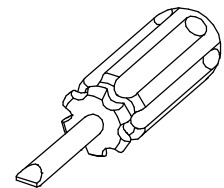
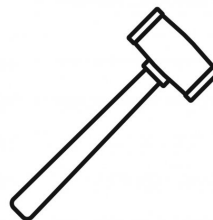
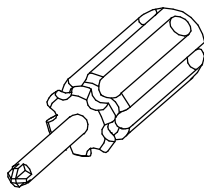
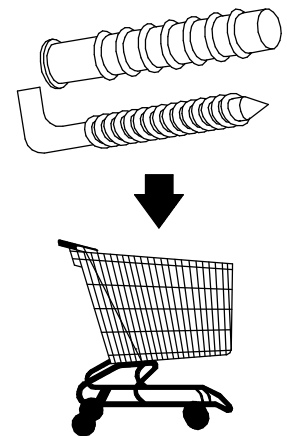
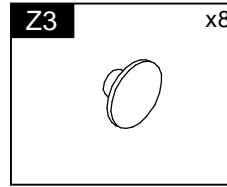
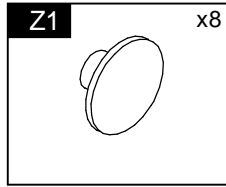
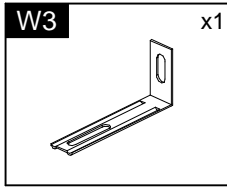
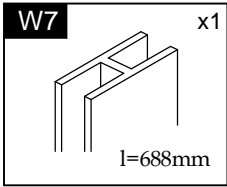
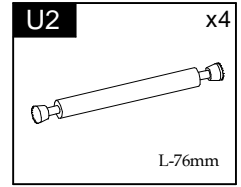
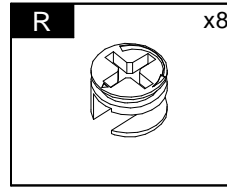
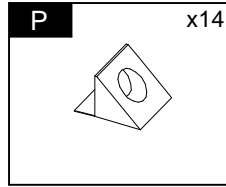
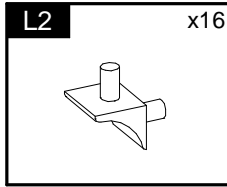
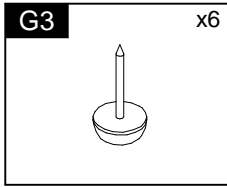
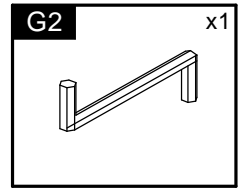
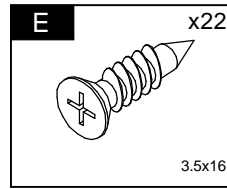
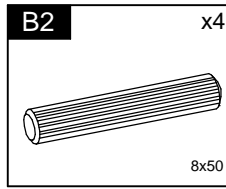
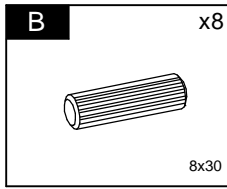
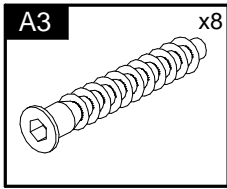
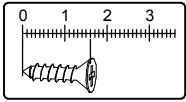
# REGAL 1980

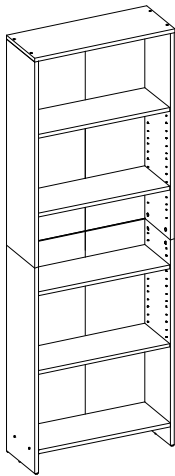
Typ 1980



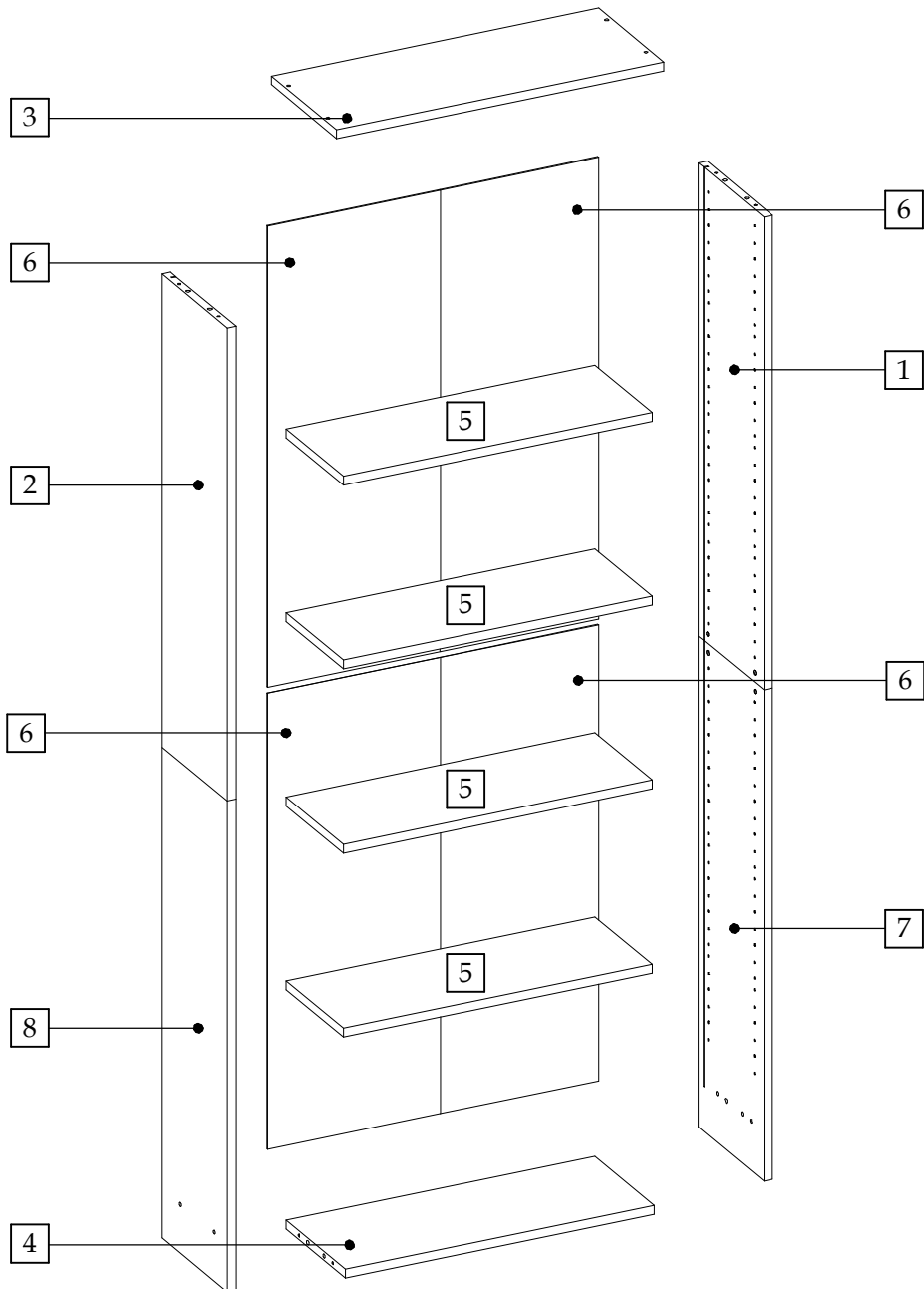
40 min

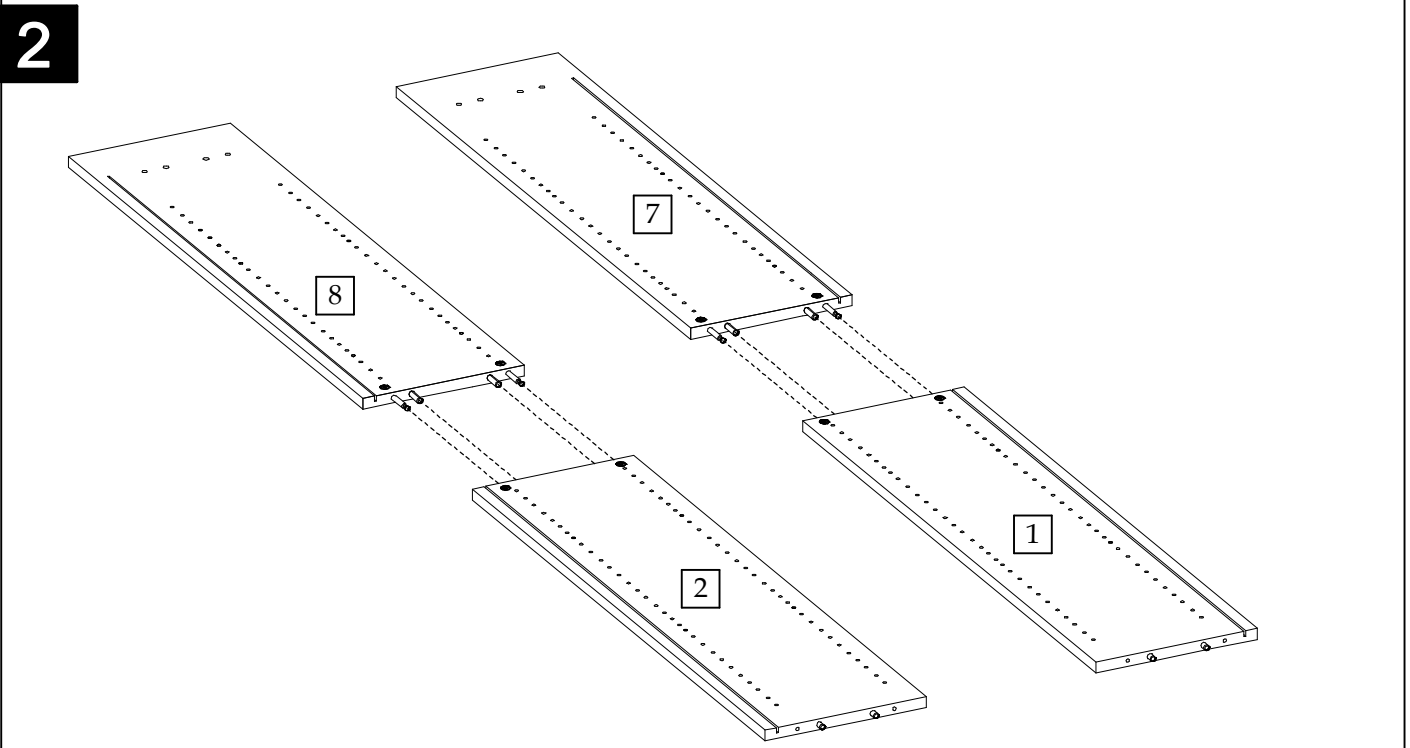
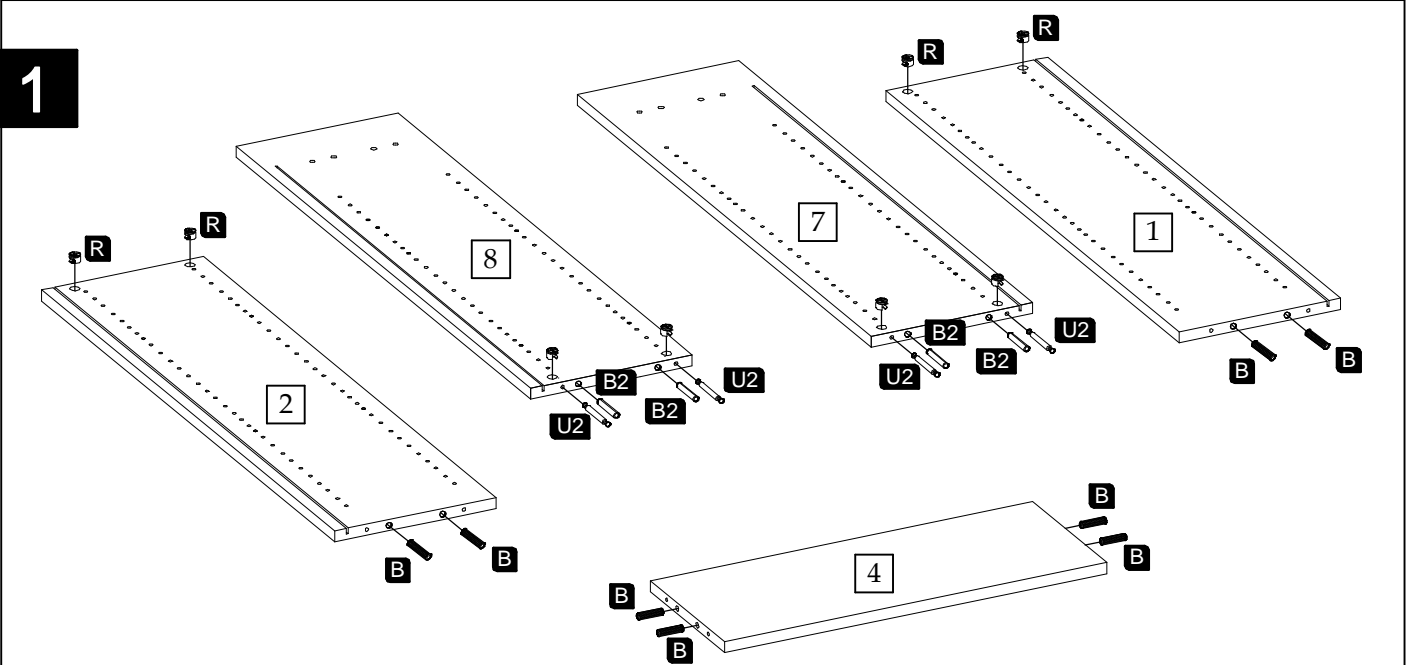
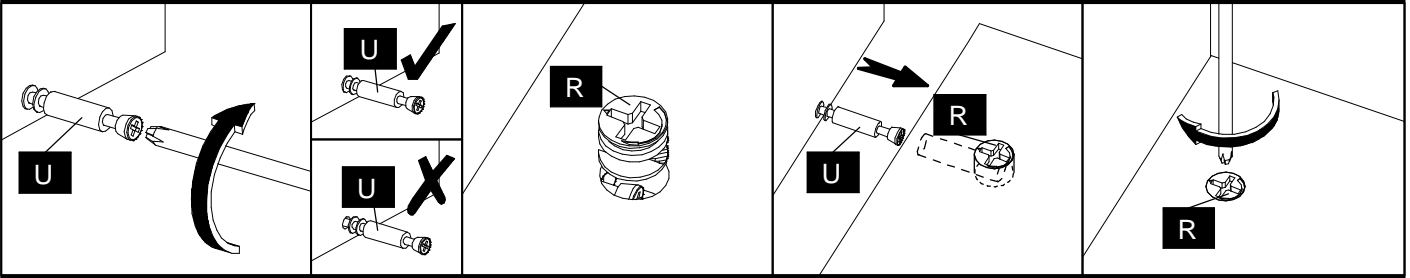




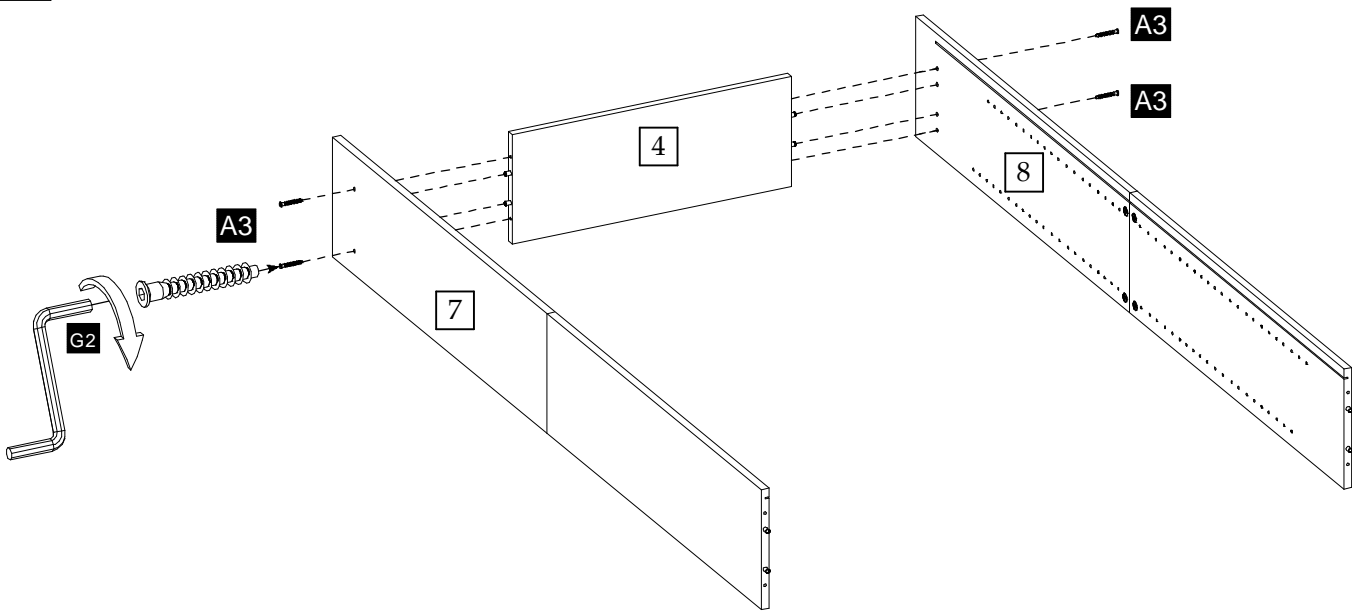


Element symbol	Measurements				Code	Paket
	1	2	3	4		
1	977	369.5	16	1	1001	2/2
2	977	369.5	16	1	1002	2/2
3	720	370	16	1	1003	1/2
4	686	349	16	1	1004	1/2
5	686	340	16	4	1005	1/2
6	940.5	350.5	3	4	N/A	2/2
7	977	369.5	16	1	1021	2/2
8	977	369.5	16	1	1022	2/2

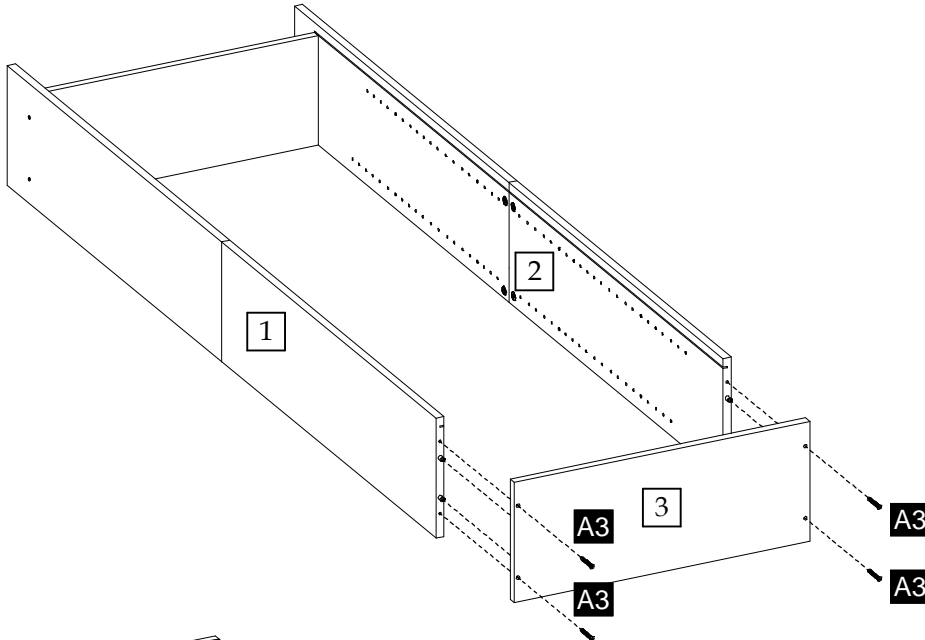




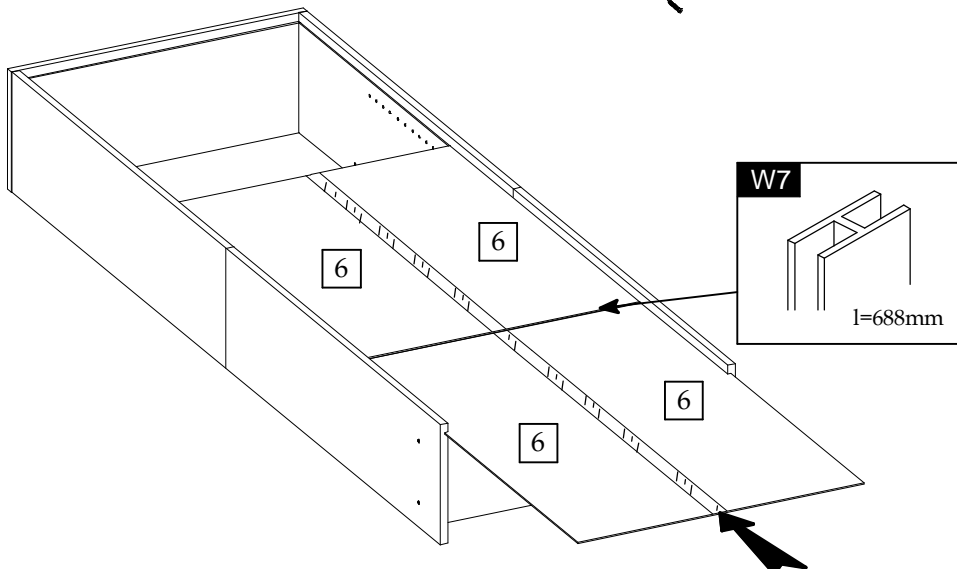
3



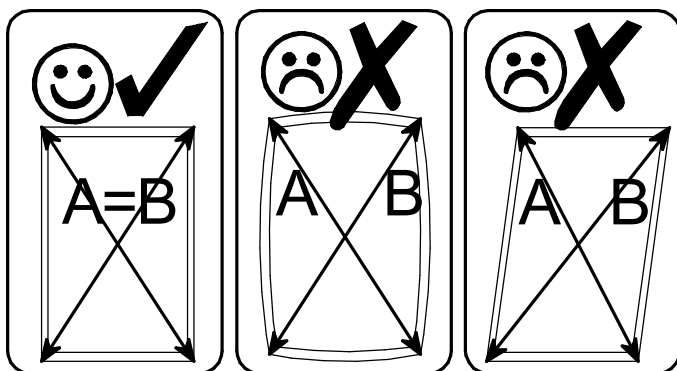
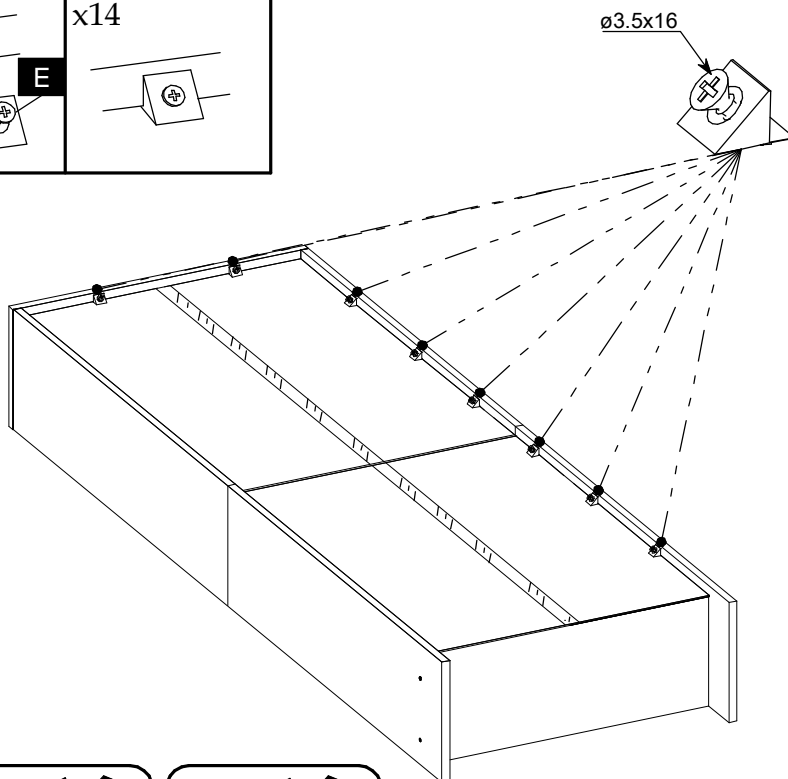
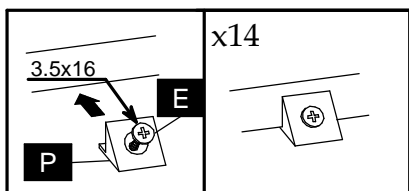
4



5



6



7

