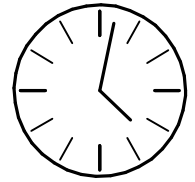
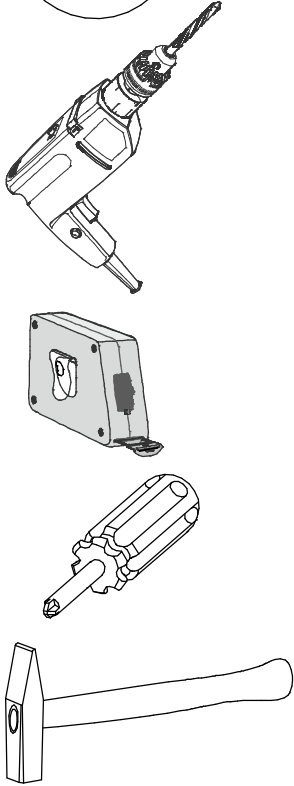
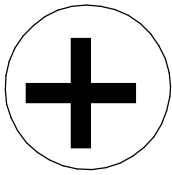
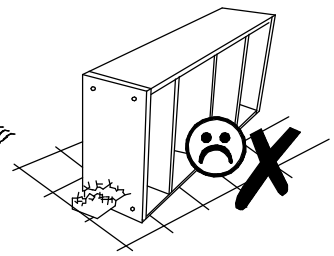
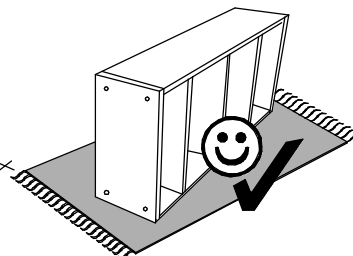
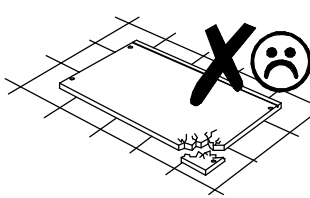
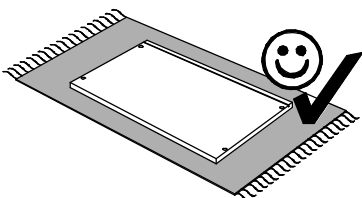
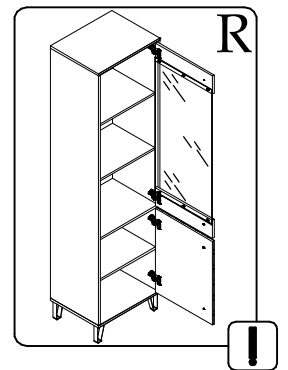
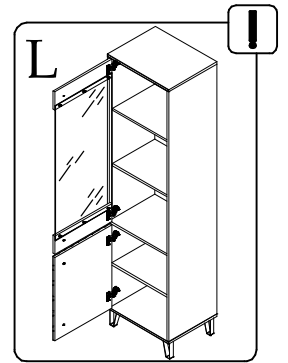
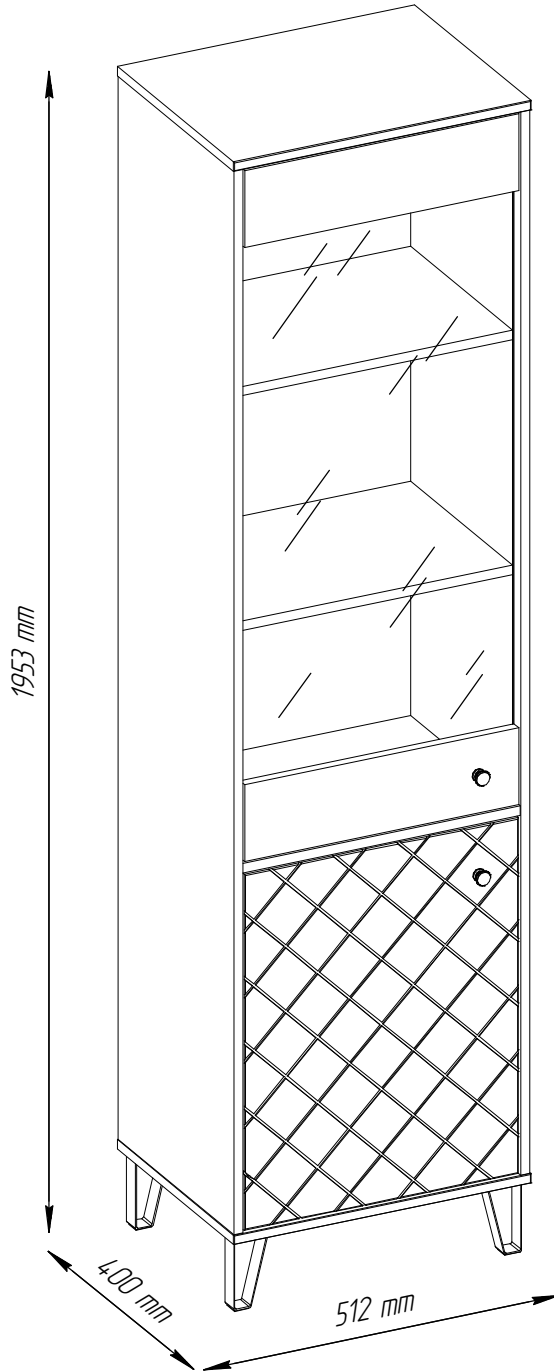
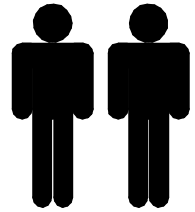
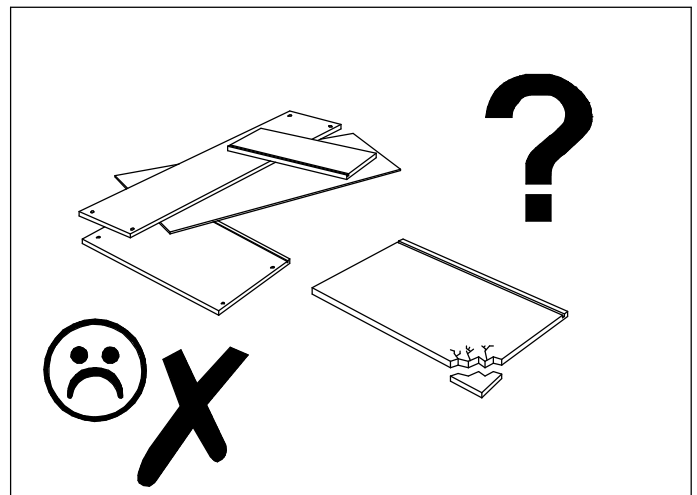
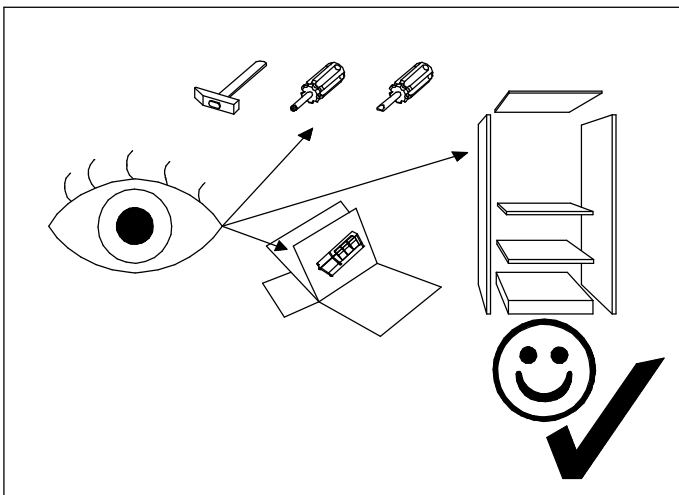
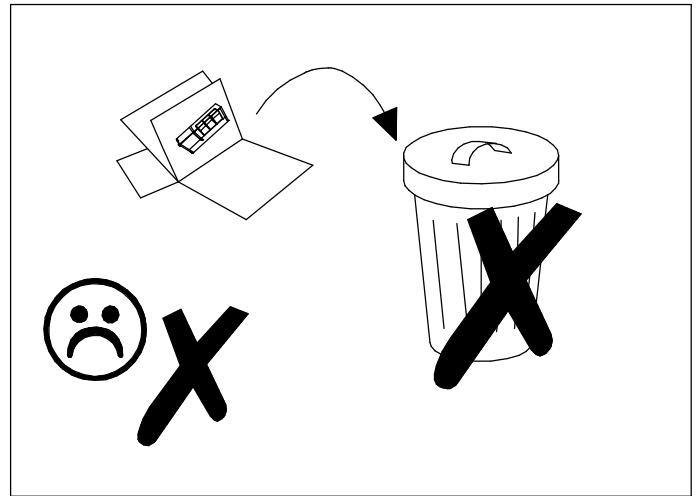
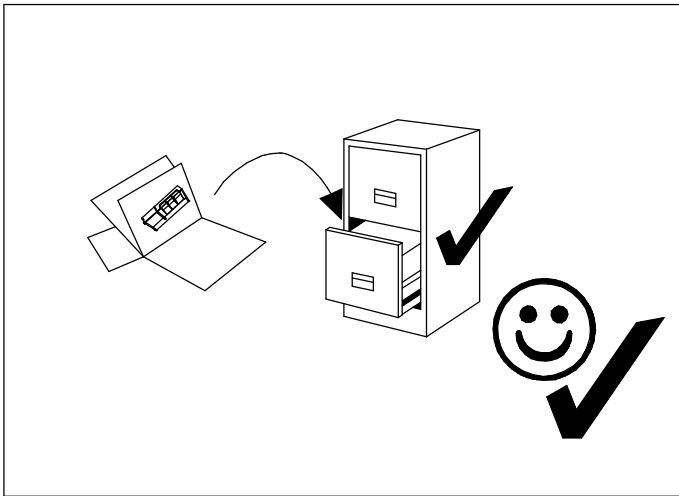
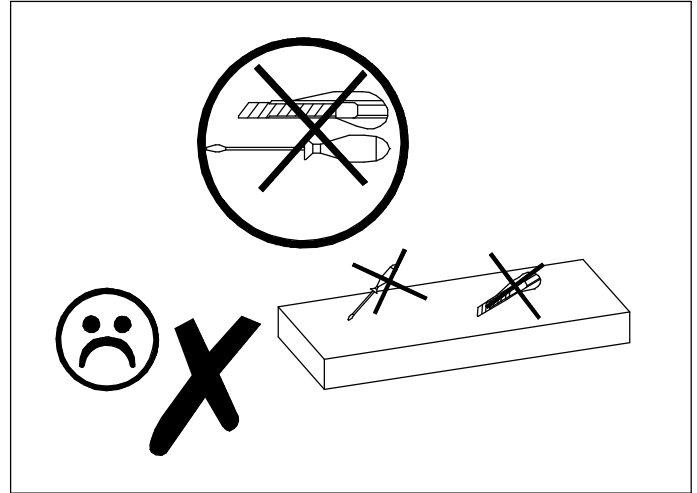
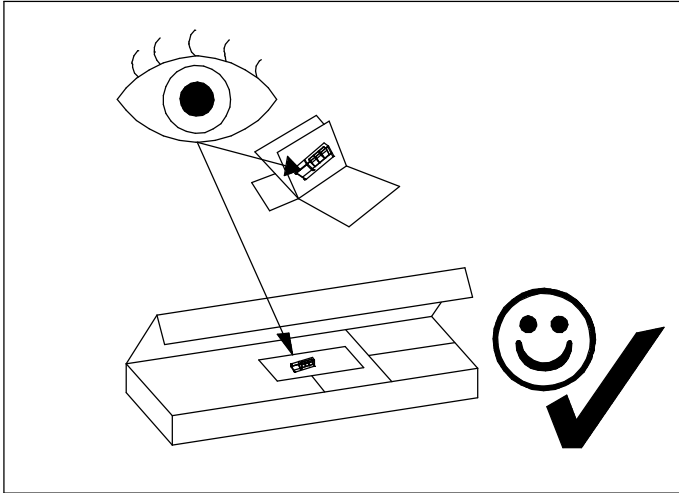


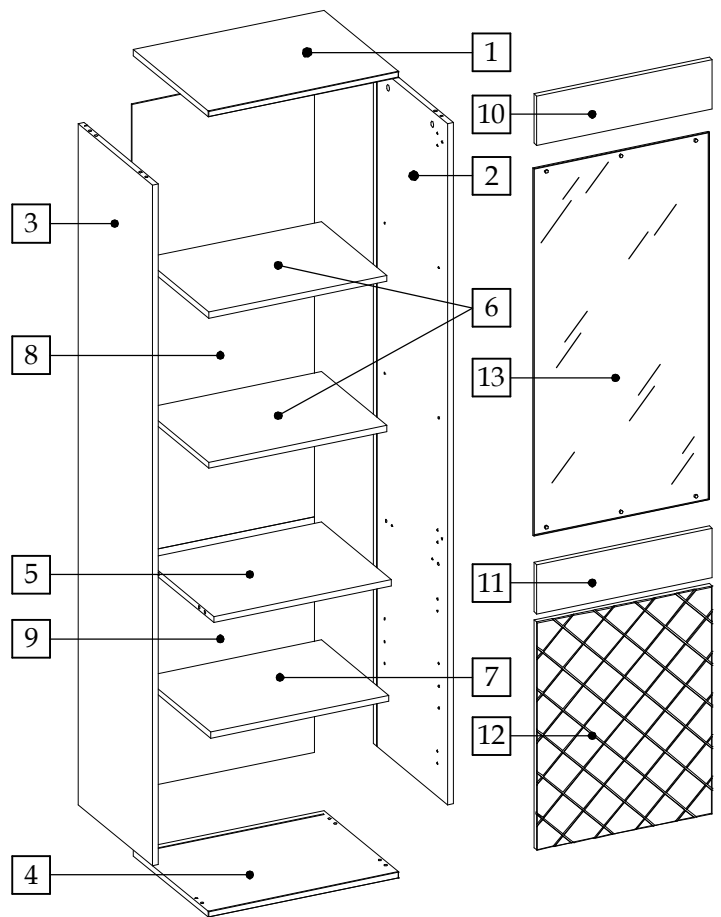
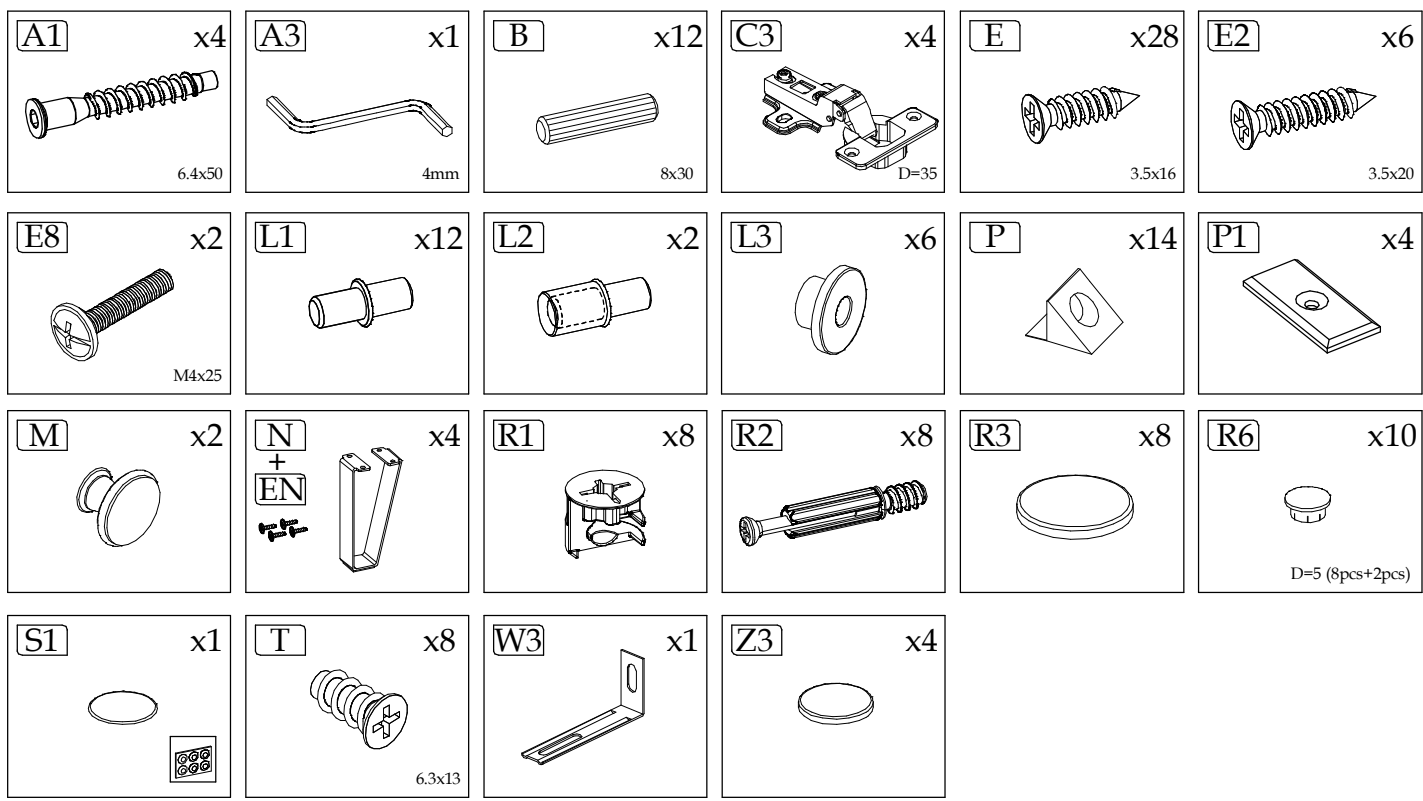
# SORRENTO A



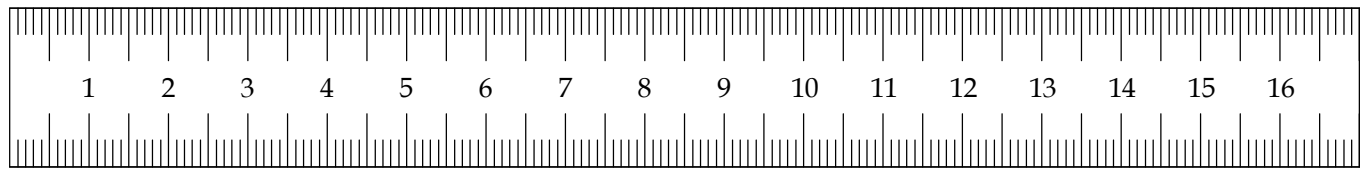
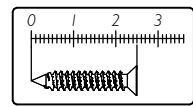
100 min

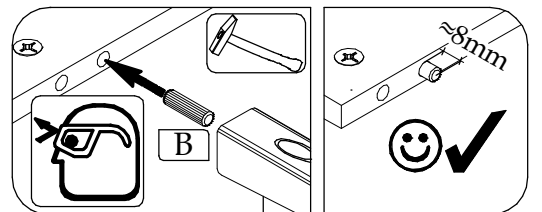
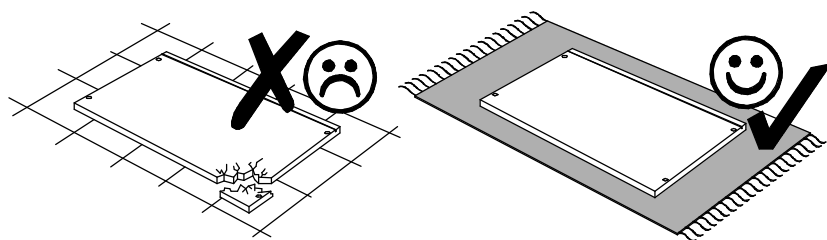
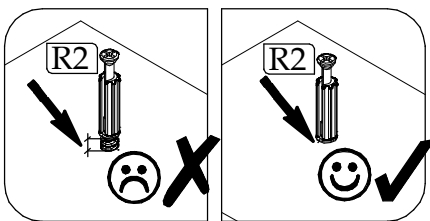
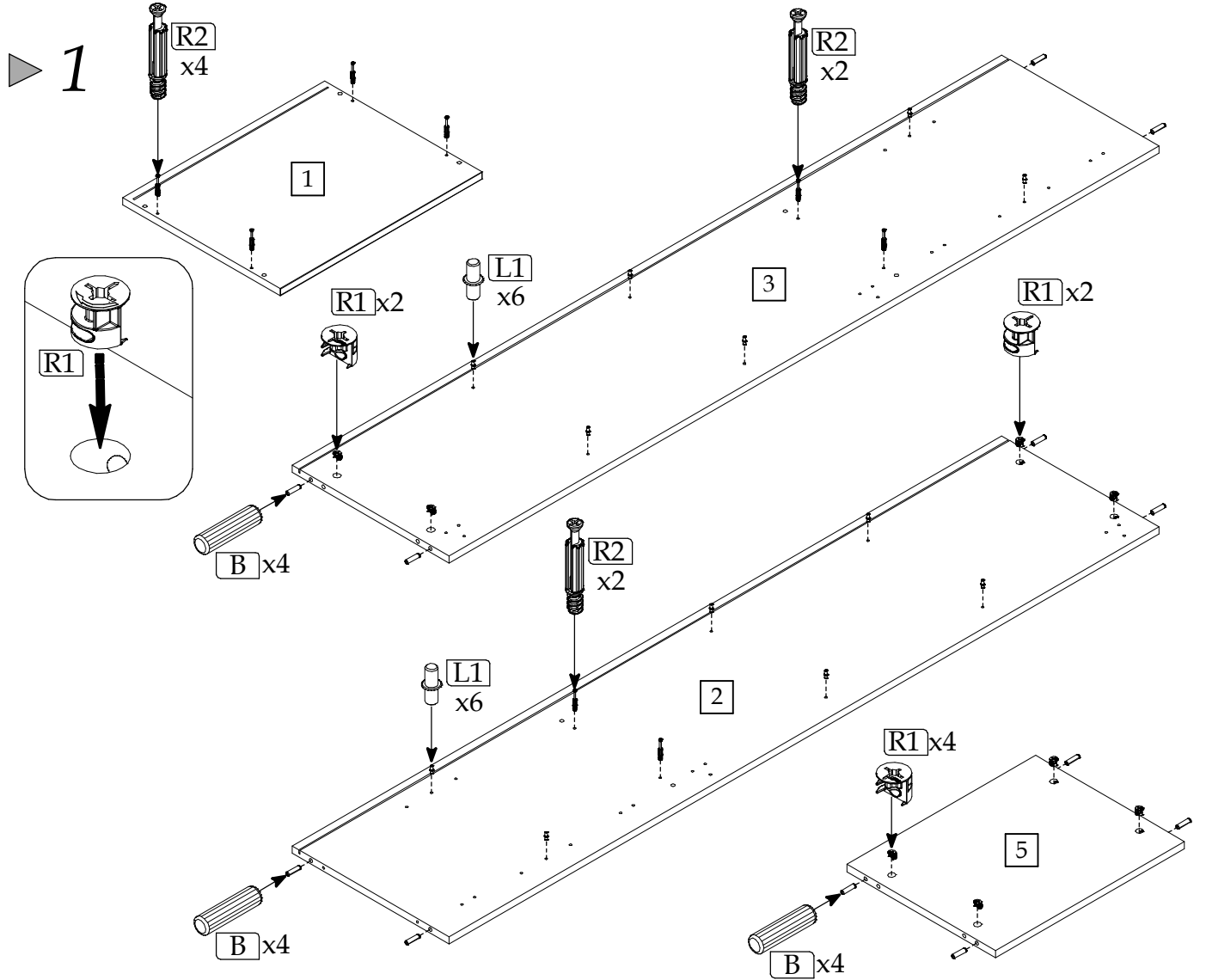
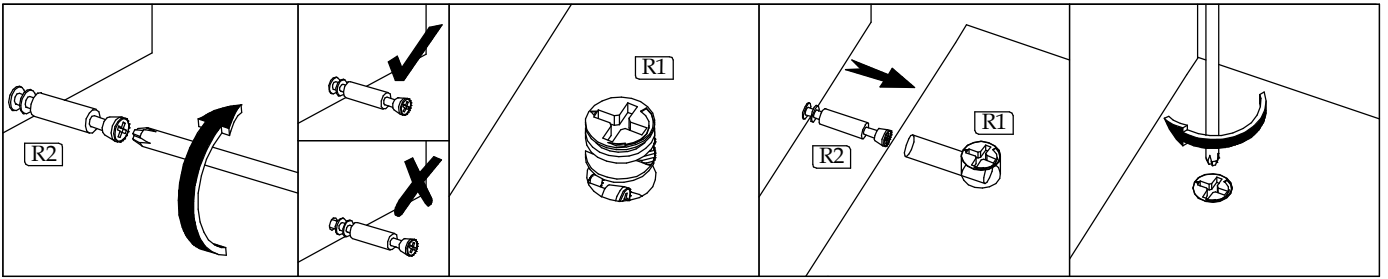




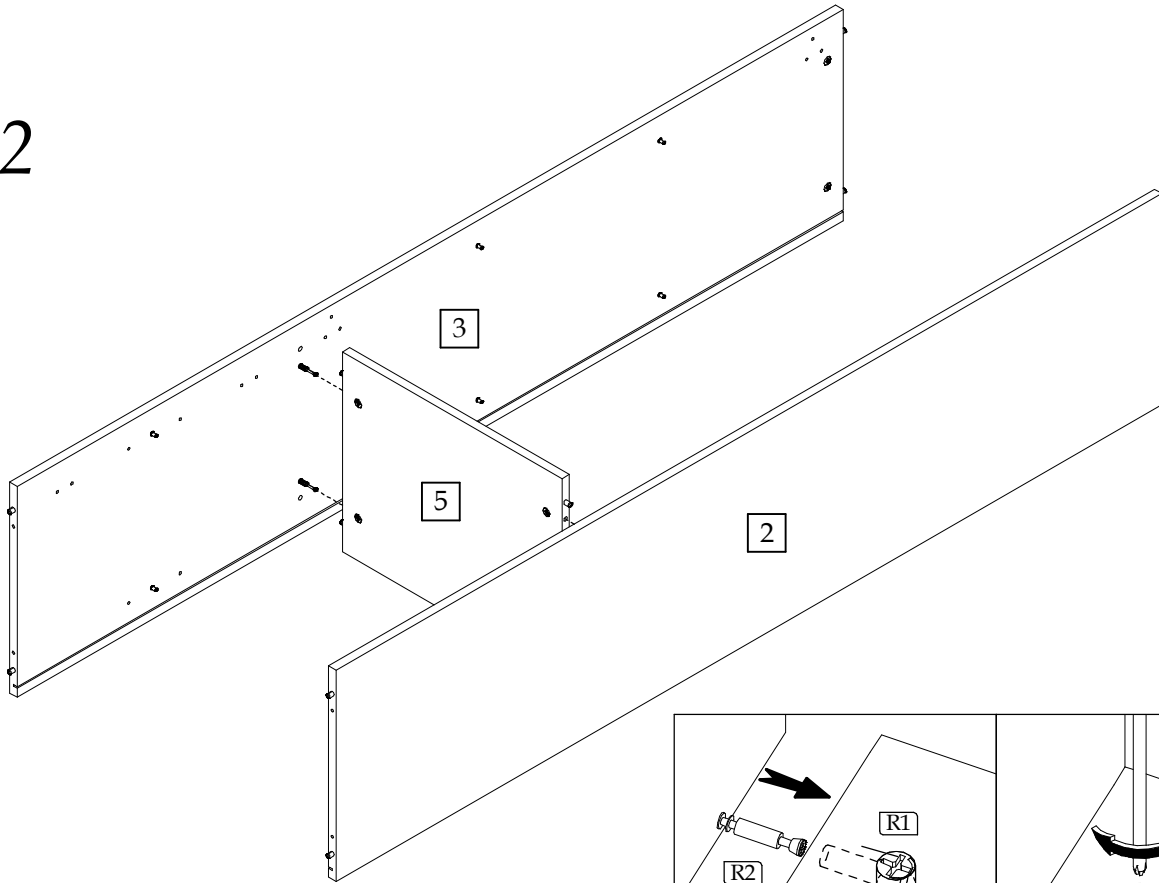


Element symbol	Measurements				Code	Pack
1	512	400	16	1	1004	1/2
2	1798	398	16	1	1001	1/2
3	1798	398	16	1	1002	1/2
4	512	400	16	1	1003_2003	1/2
5	478	377	16	1	1005	1/2
6	478	350	16	2	N/A	1/2
7	478	360	16	1	N/A	1/2
8	1189	492	3	1	N/A	1/2
9	622	492	3	1	N/A	1/2
10	474	132	16	1	1001_3001	1/2
11	474	132	16	1	1001_3002	1/2
12	604	474	16	1	1002_3003	1/2
13	970	472	4	1	Glass	2/2

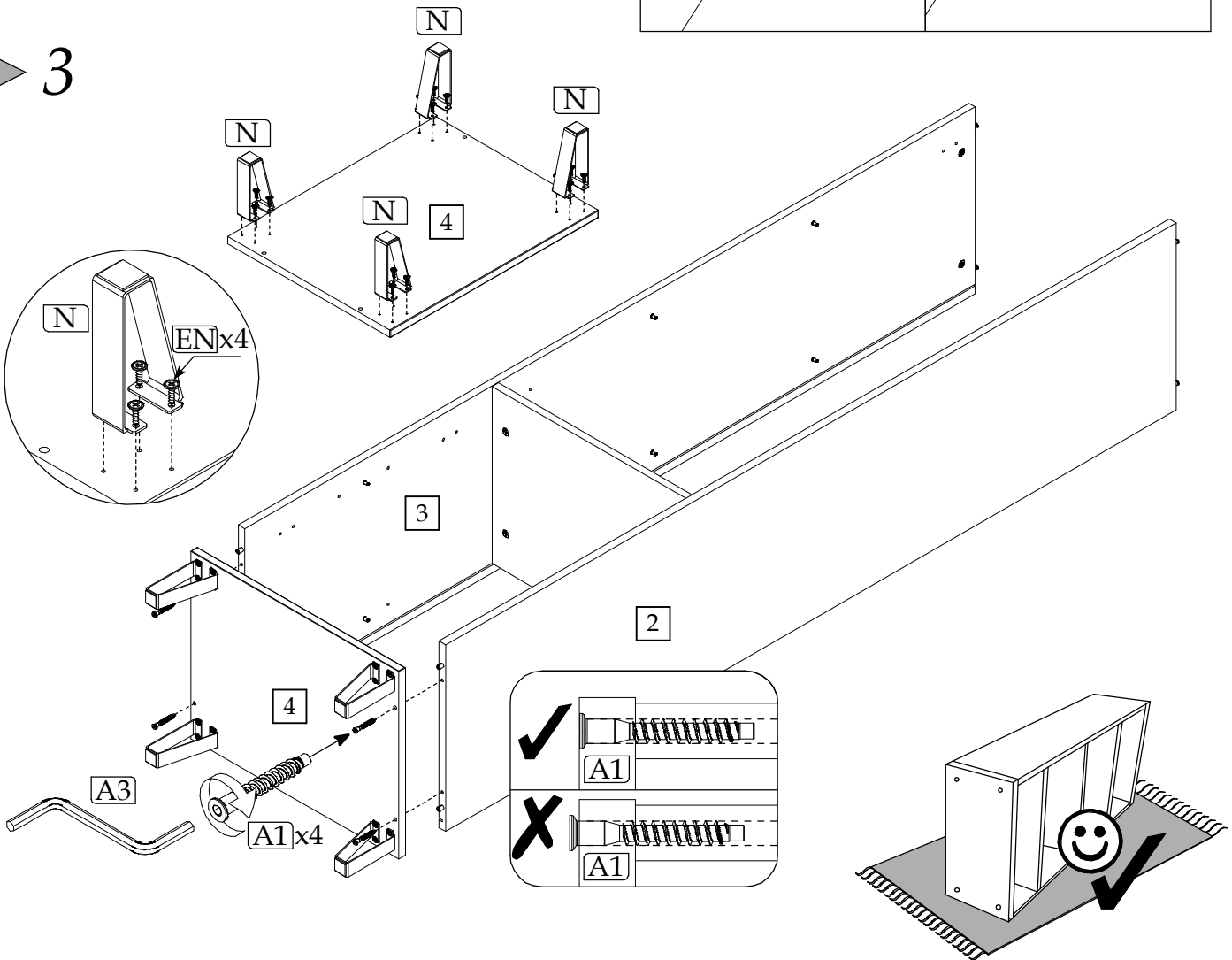




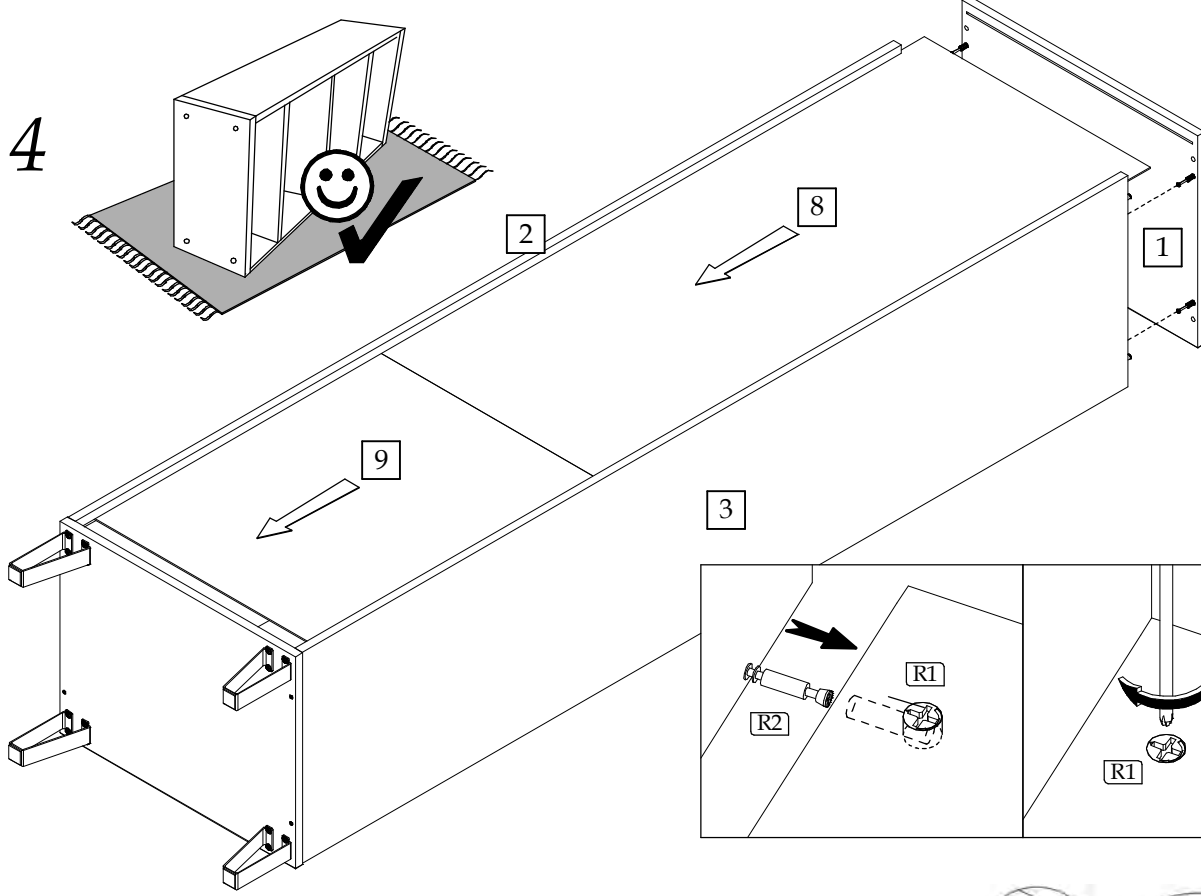
▶ 2



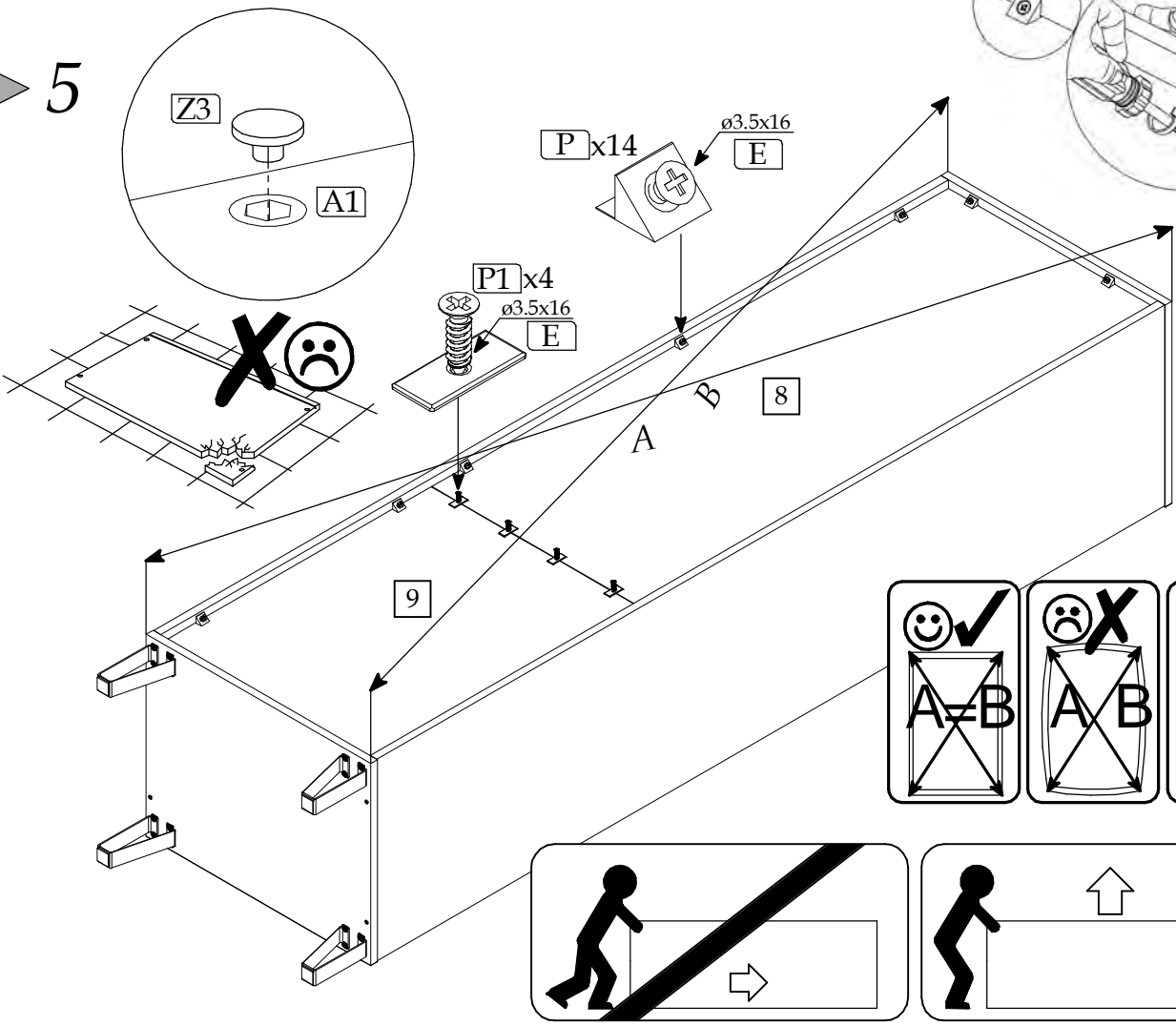
▶ 3



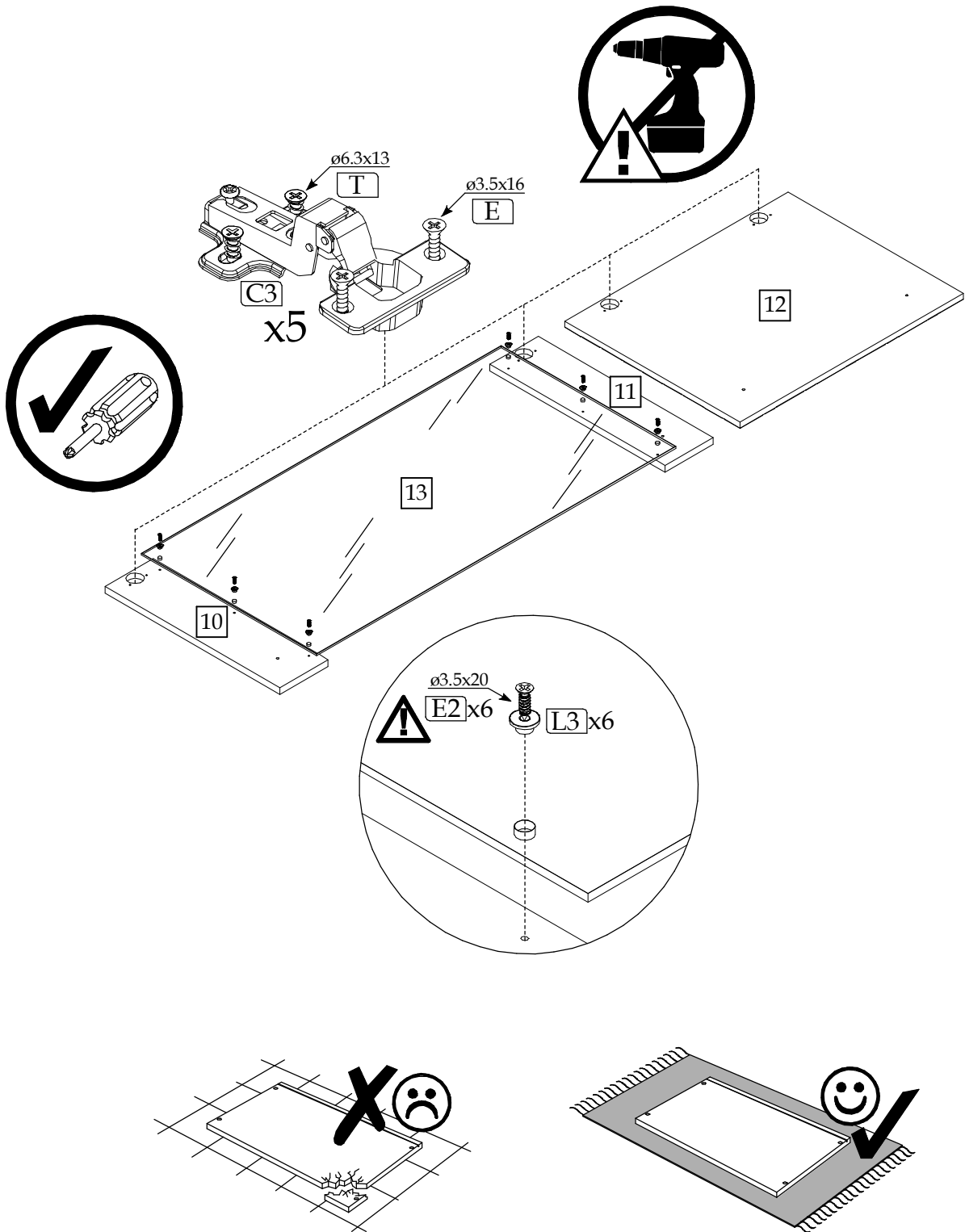
▶ 4



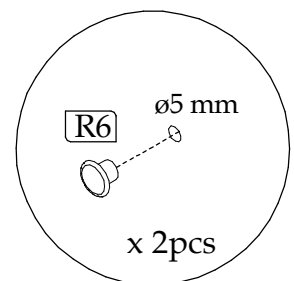
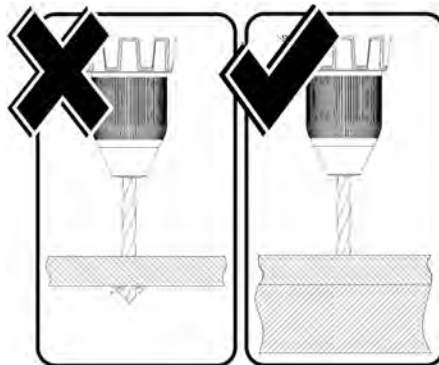
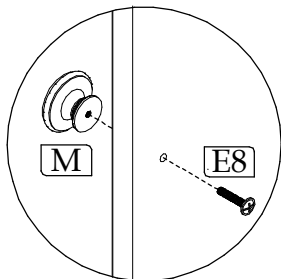
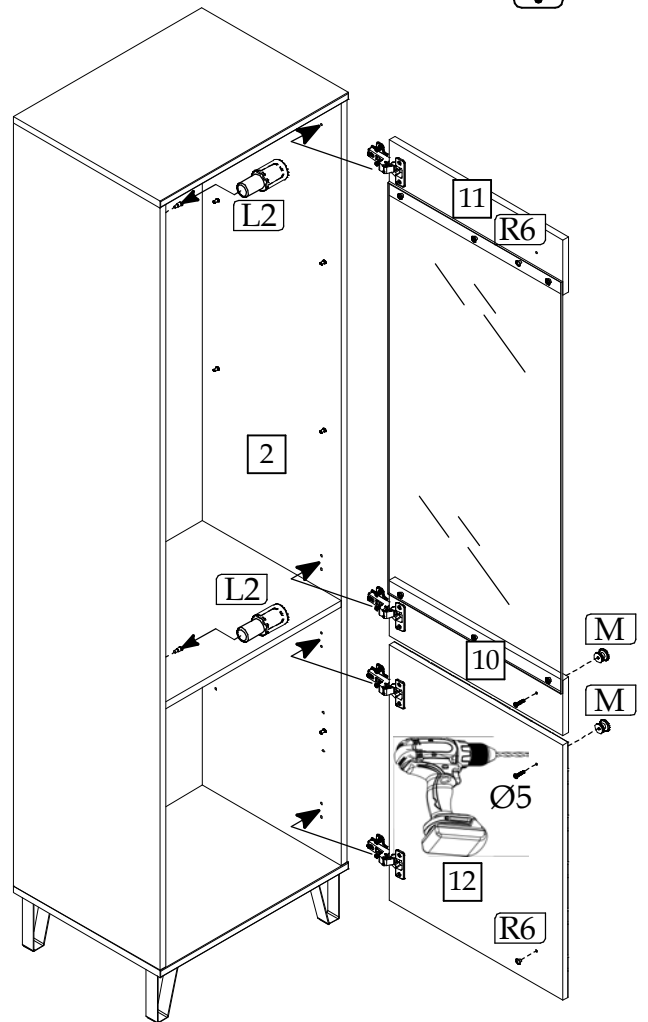
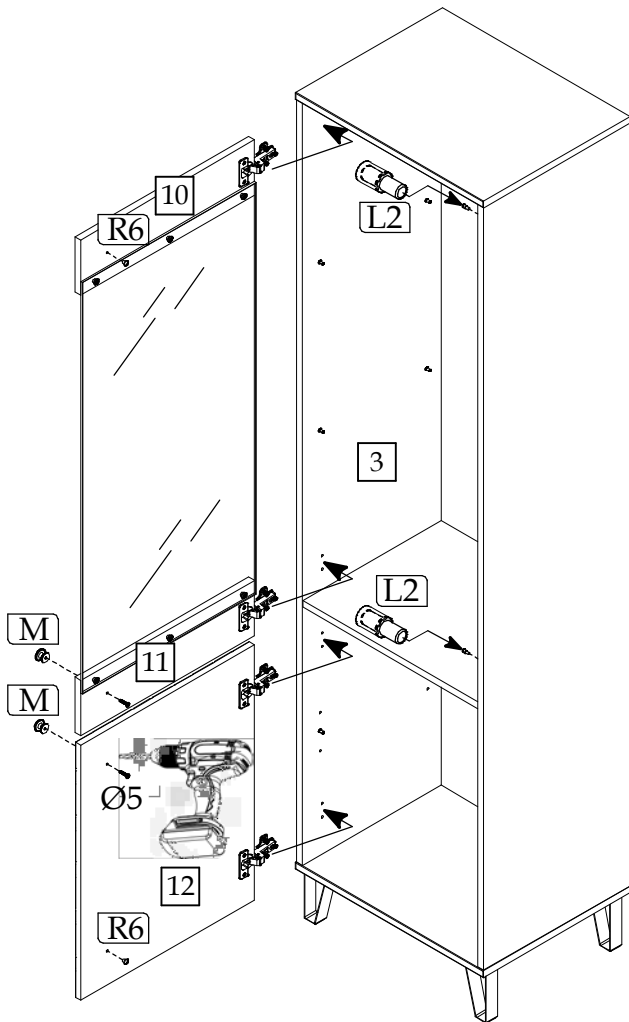
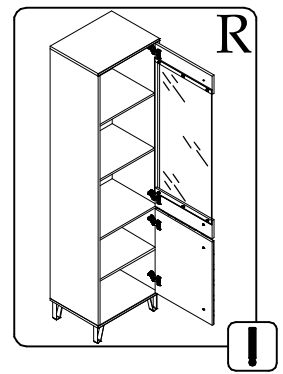
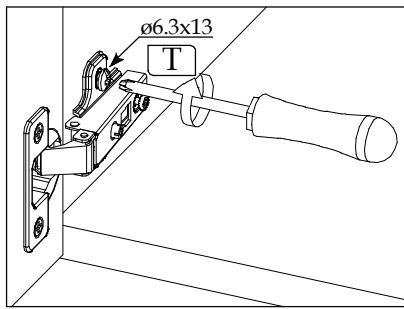
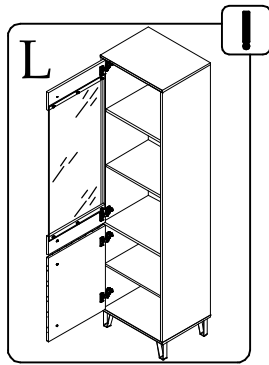
▶ 5



▶ 6

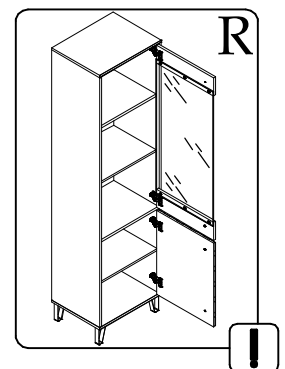
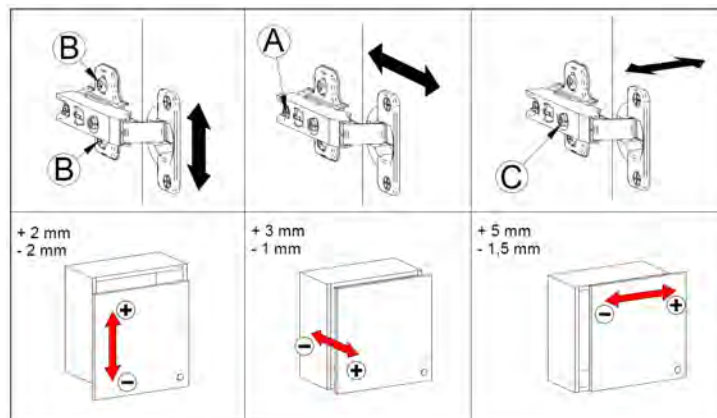
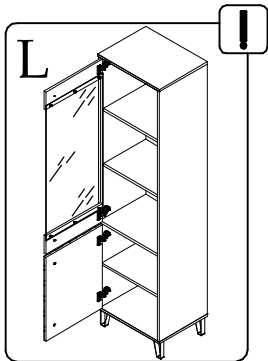
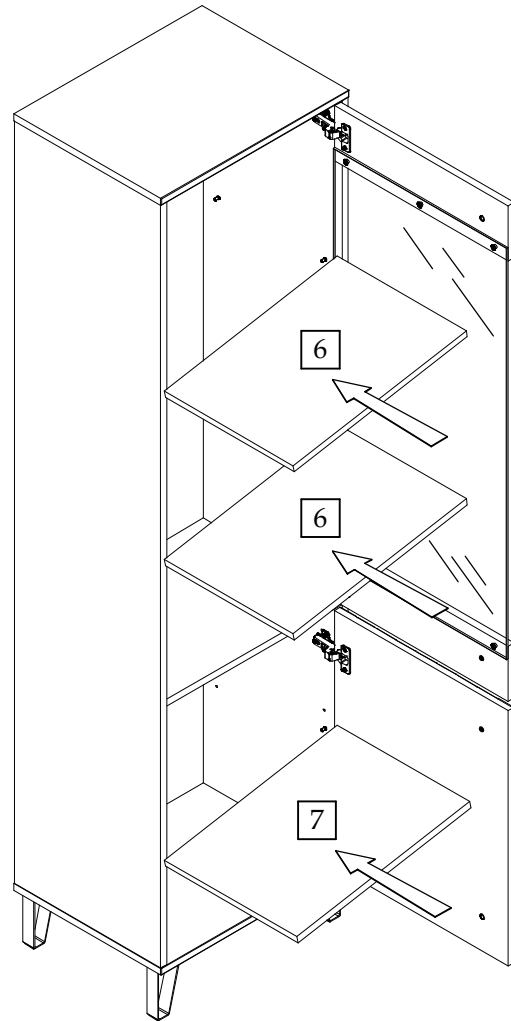
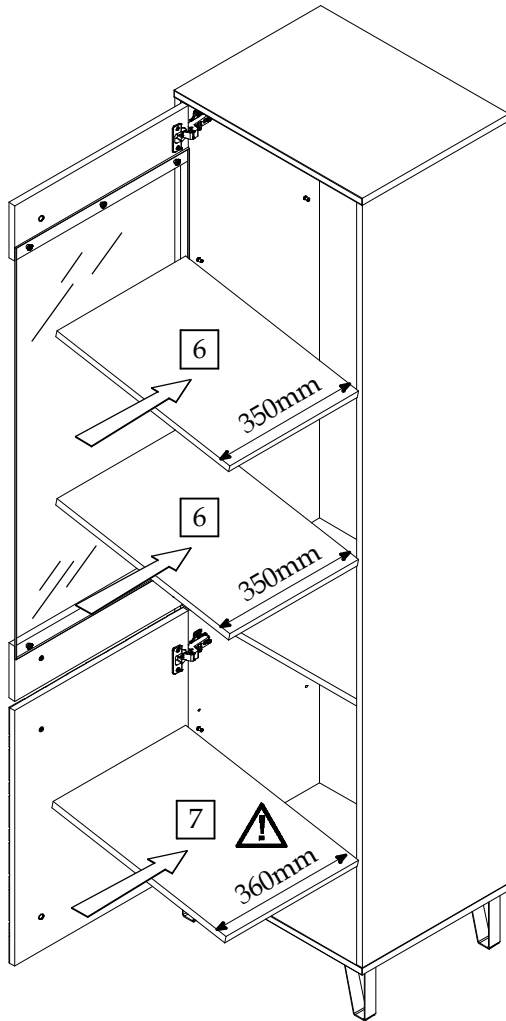
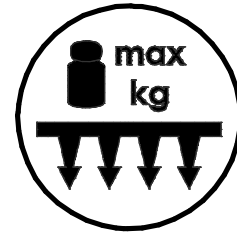
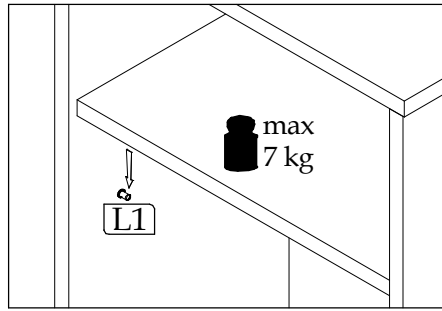
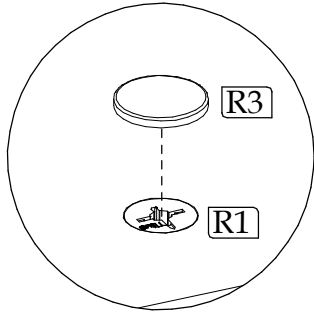


7





8



▶ 9

