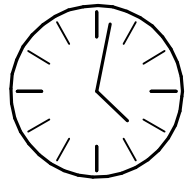
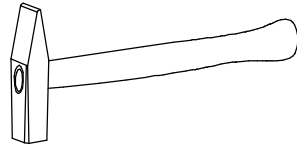
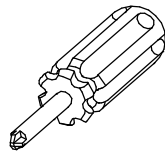
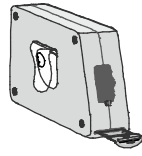
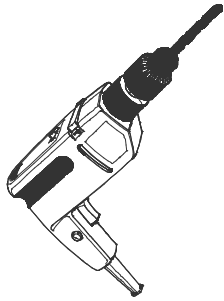
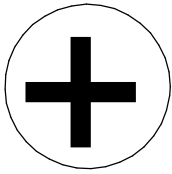
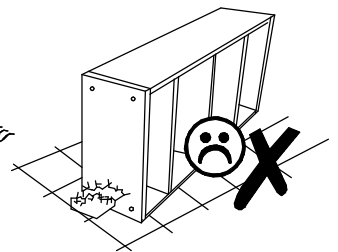
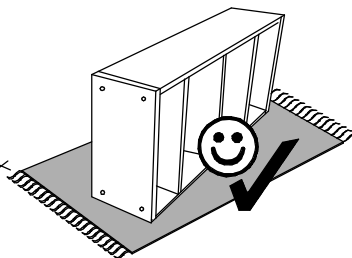
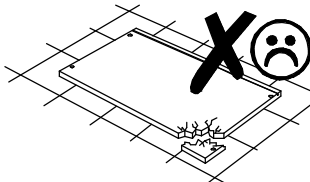
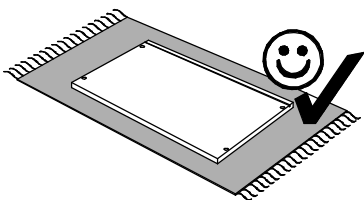
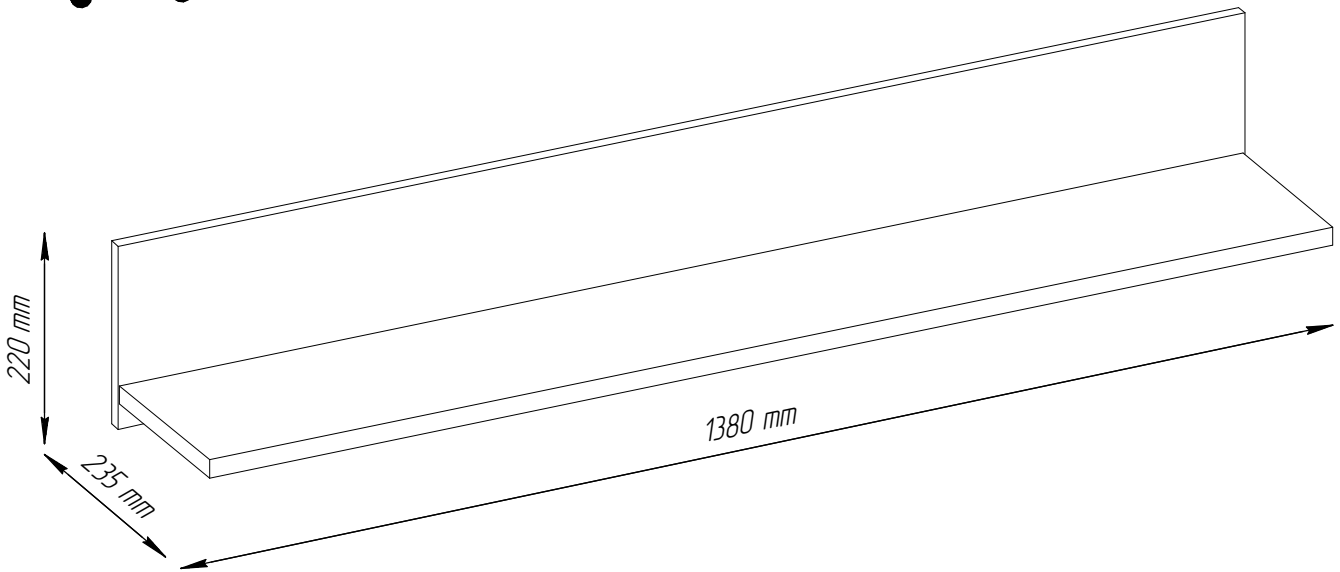
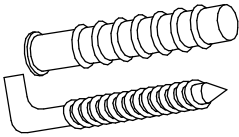
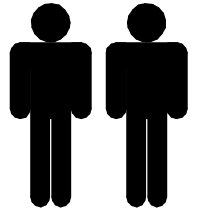
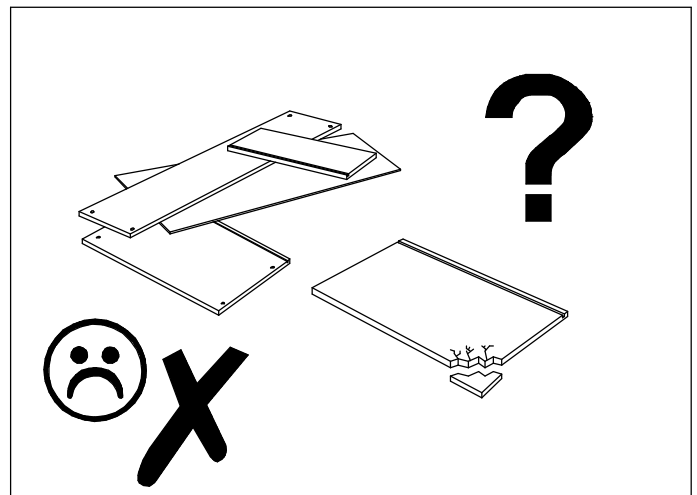
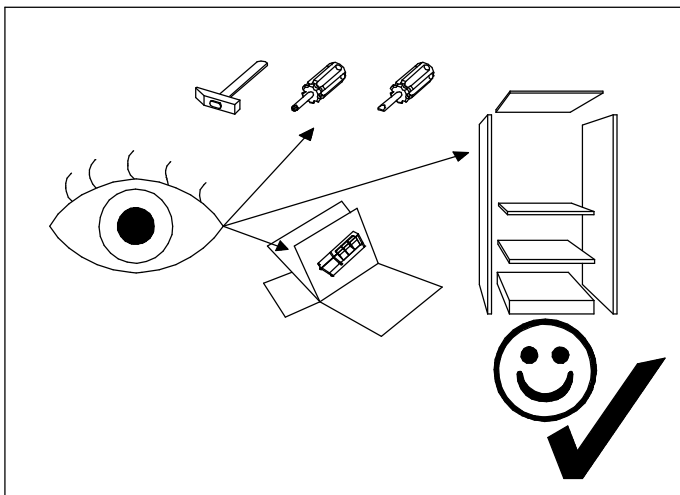
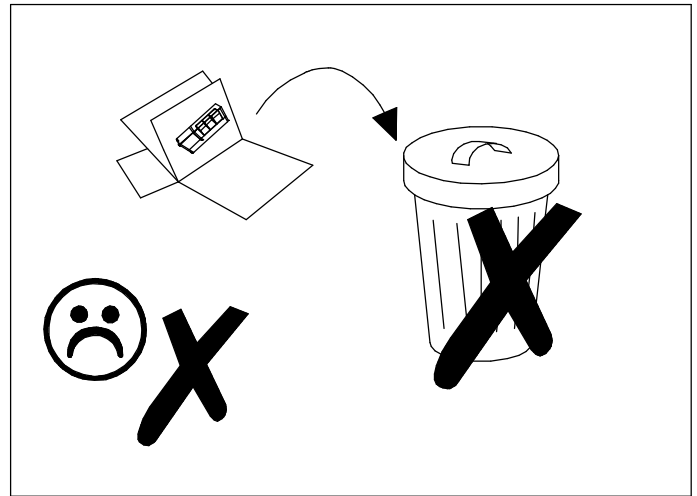
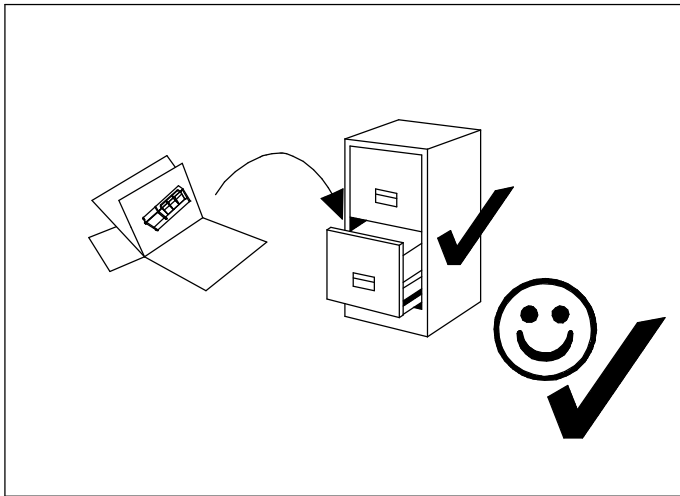
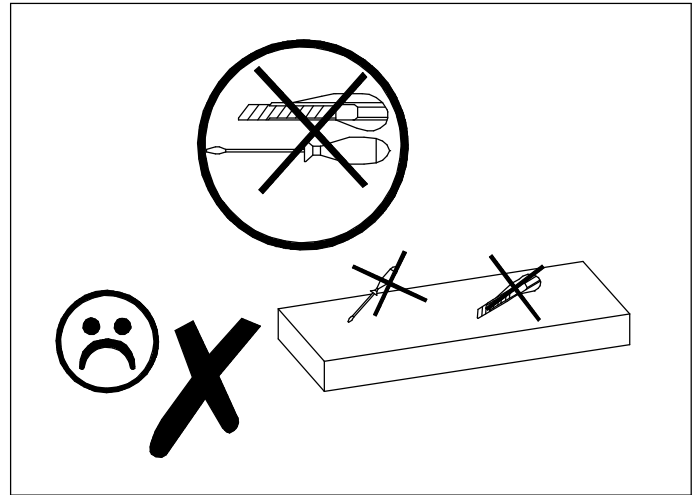
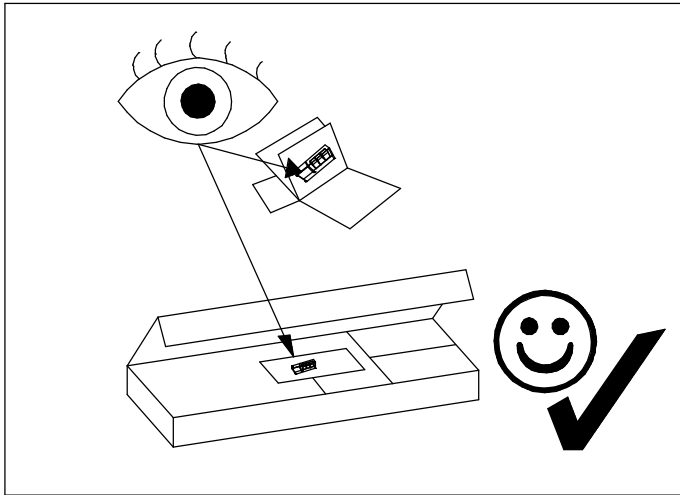


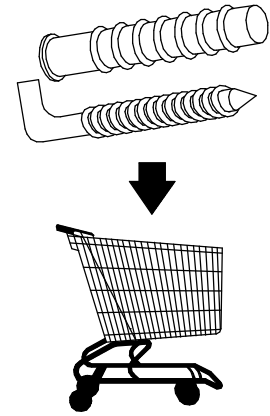
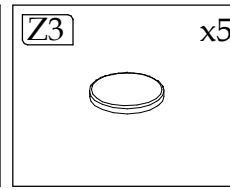
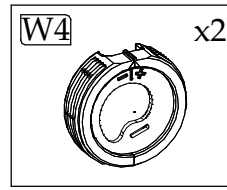
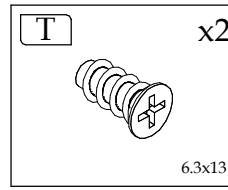
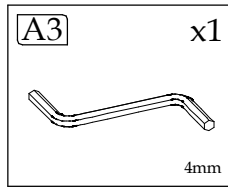
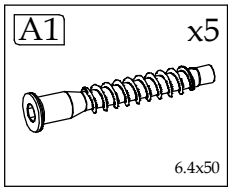
SORRENTO D



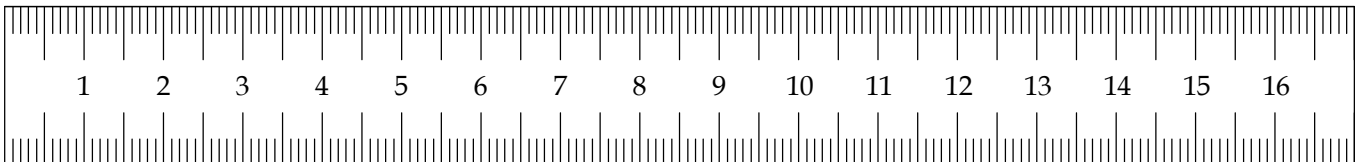
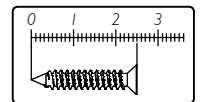
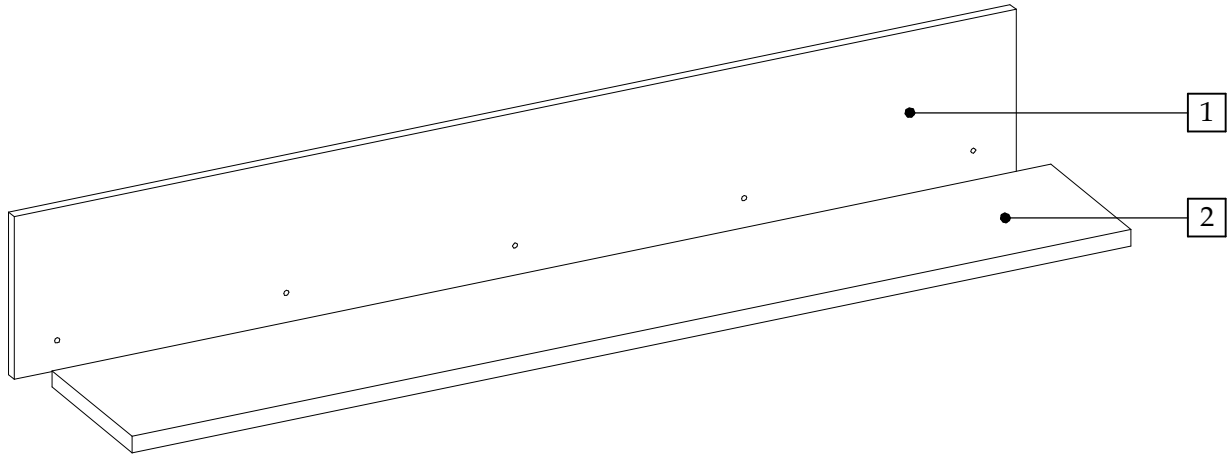
20 min





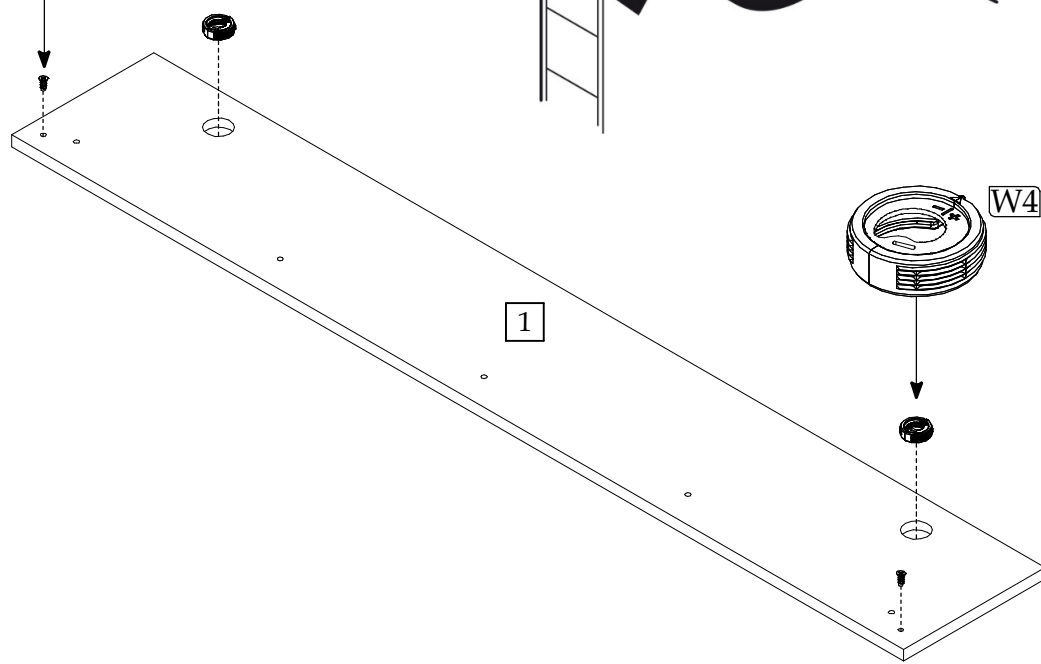
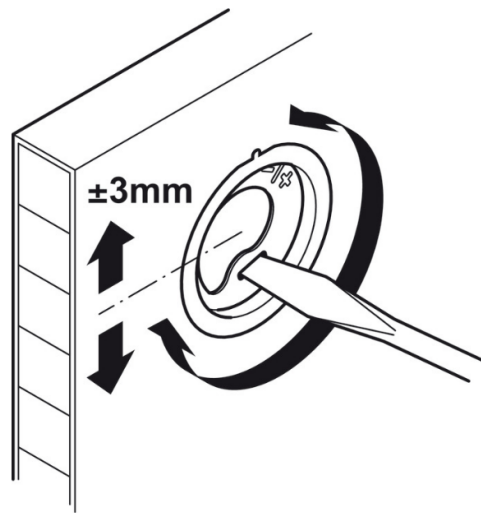


Element symbol	Measurements				Code	Pack
	1	2	3	4		
1	1380	220	16	1	1001	1/1
2	1376	219	16	1	1002	1/1

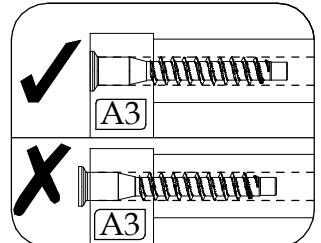
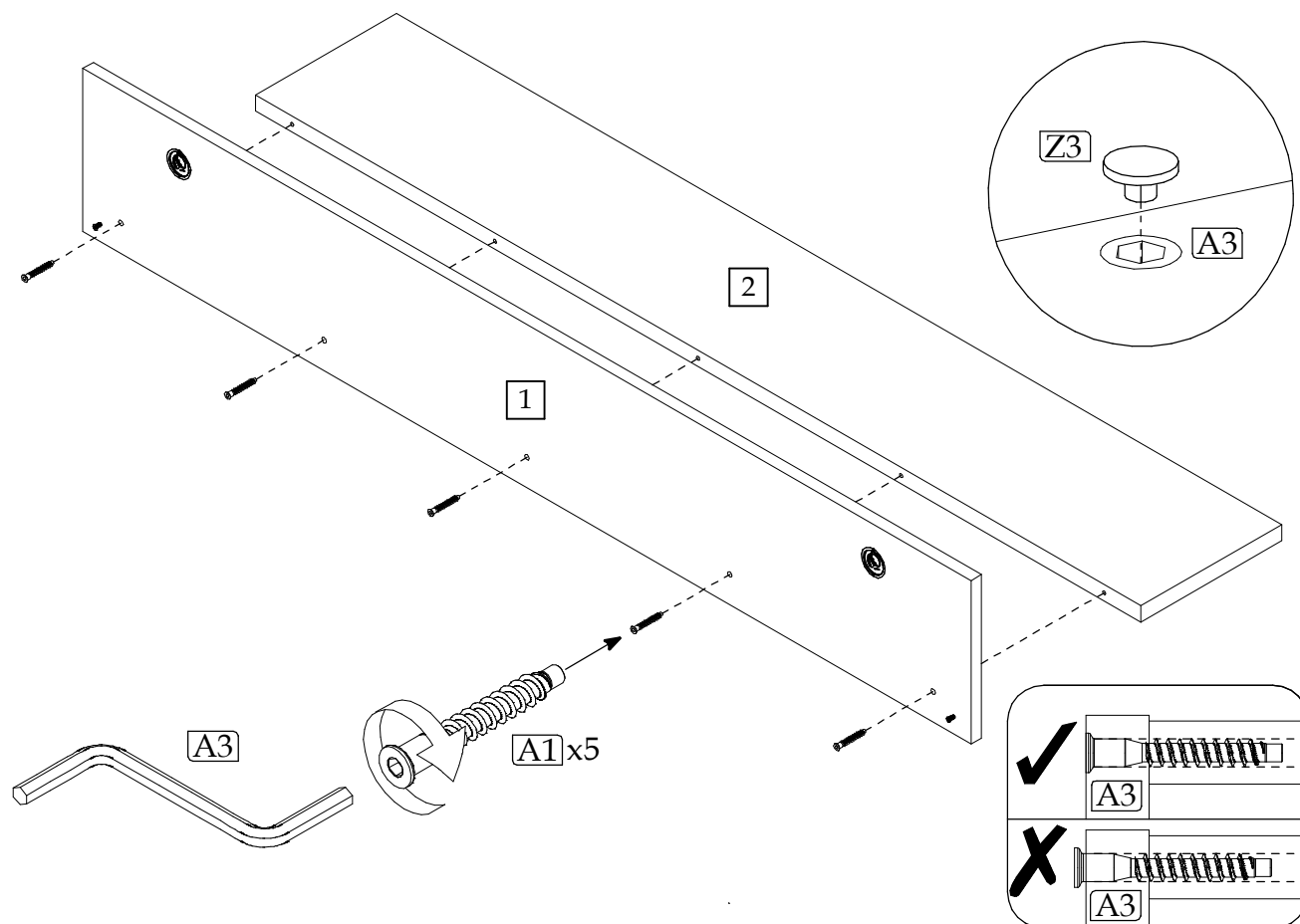


► 1

ø6.3x13
T x2



► 2



▶ 3

