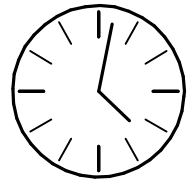
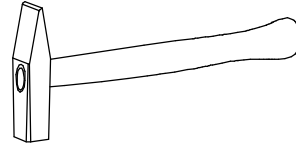
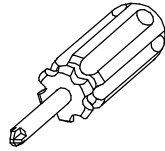
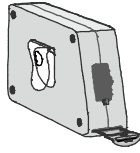
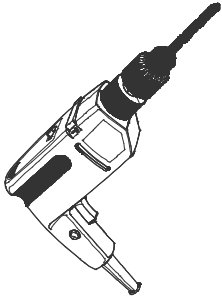
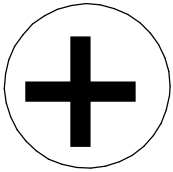
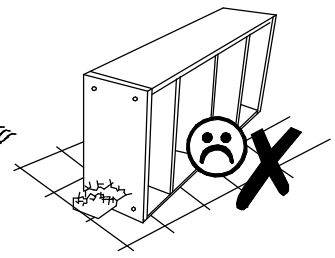
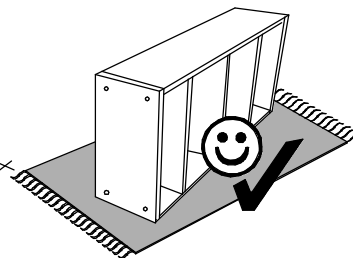
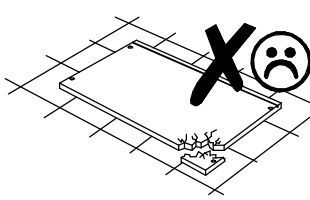
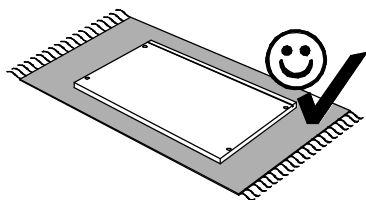
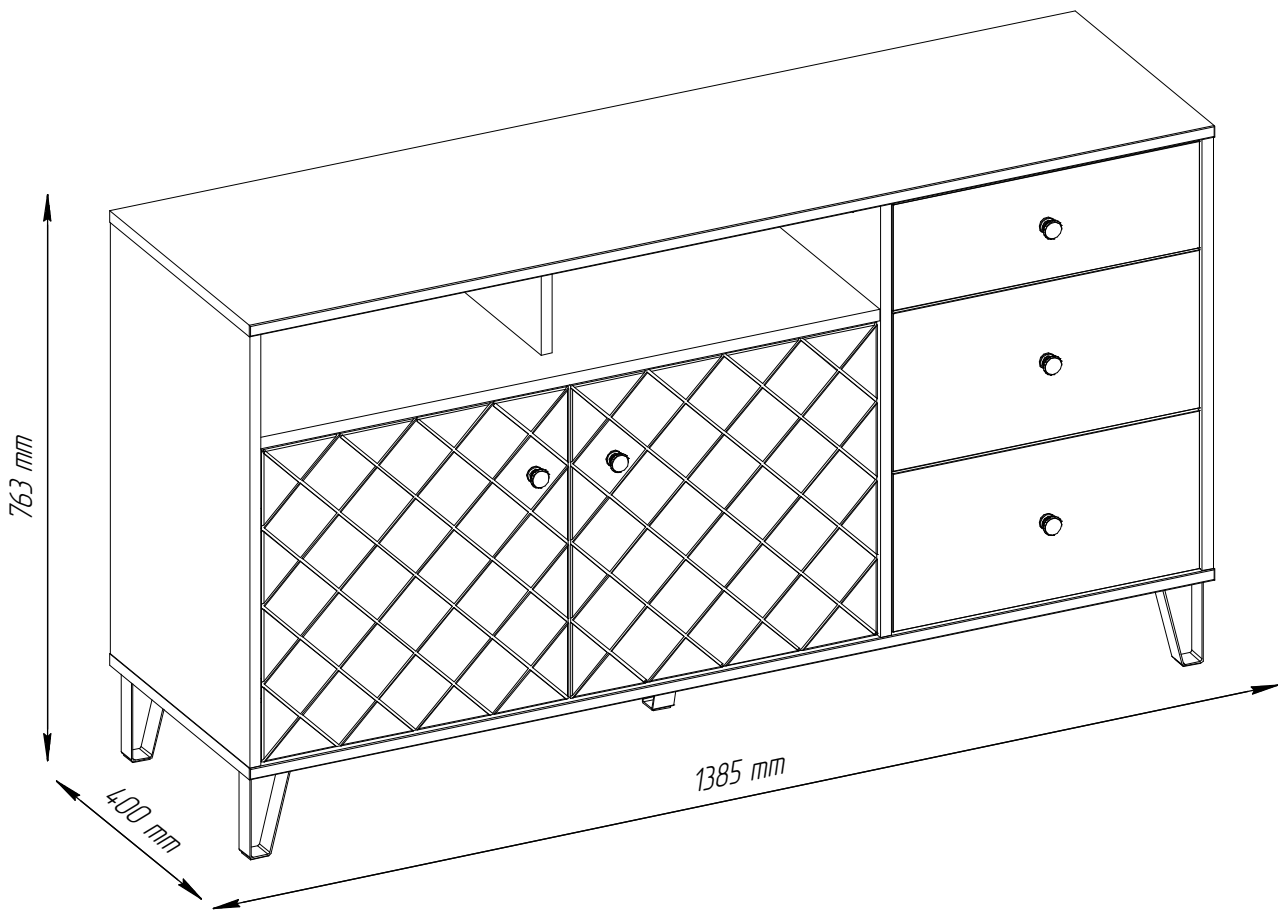
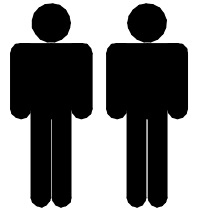
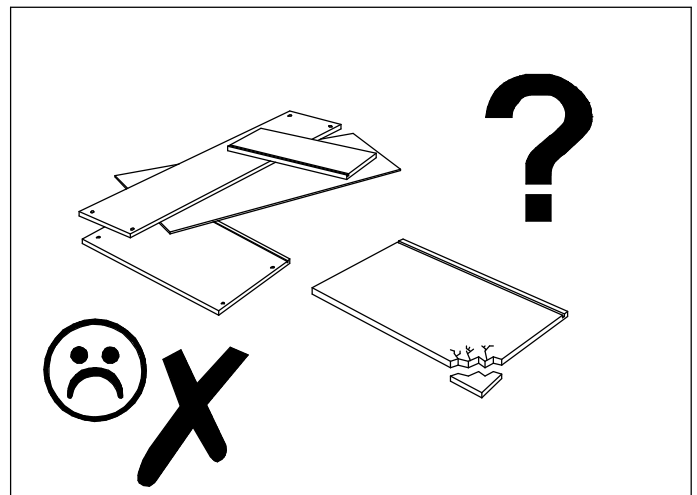
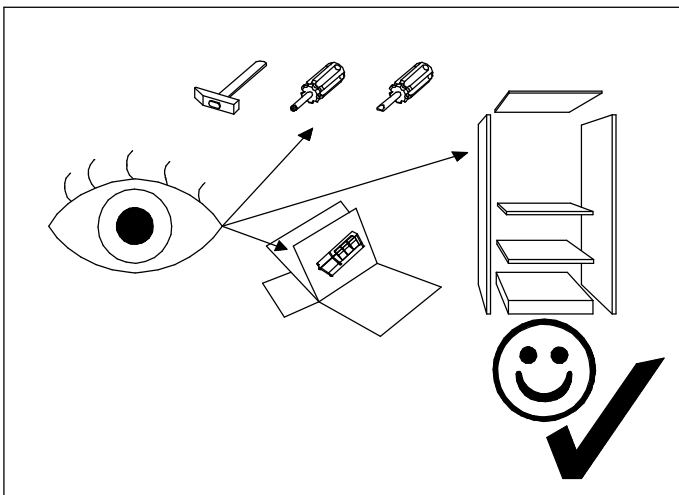
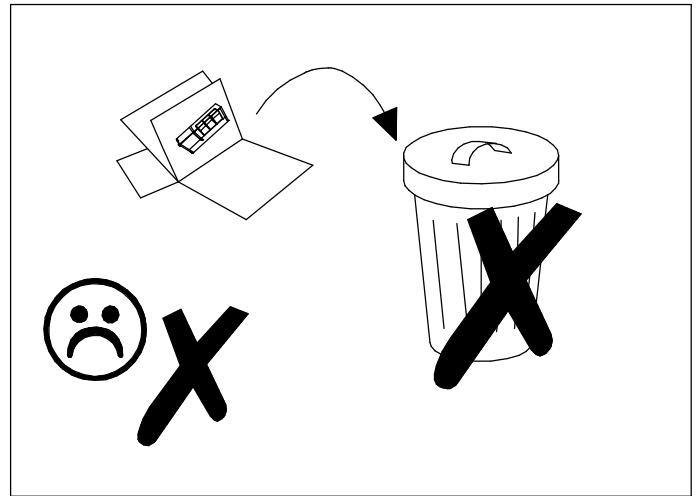
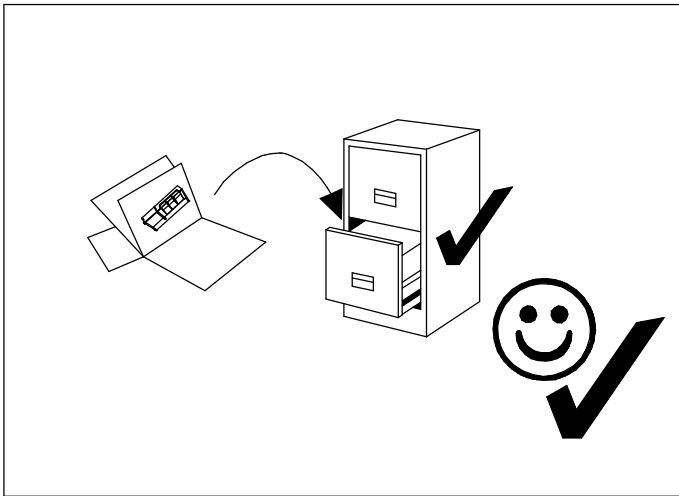
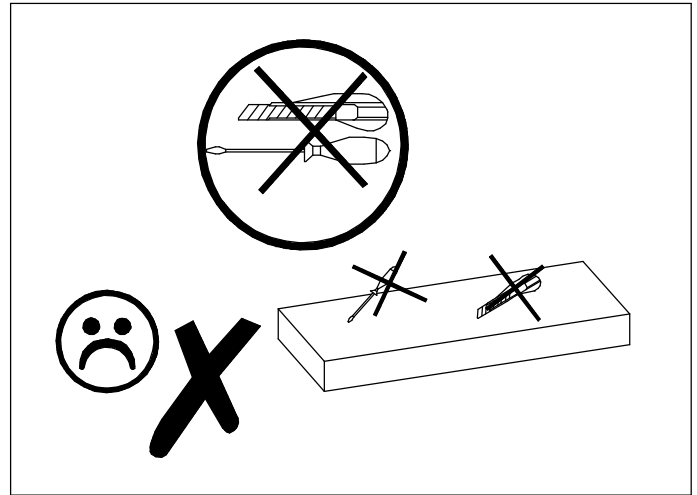
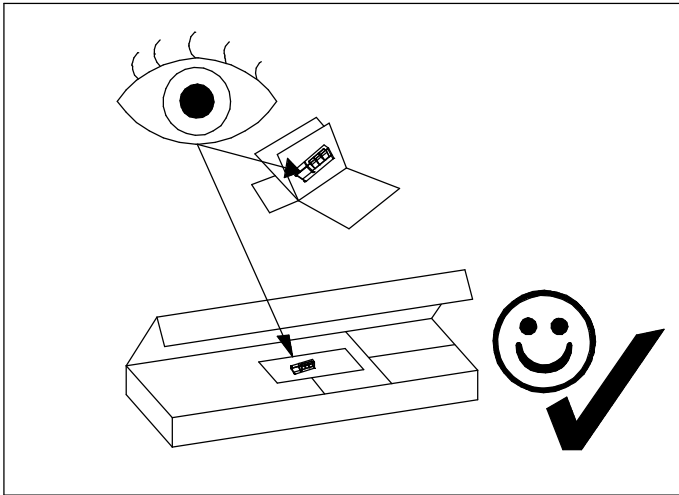


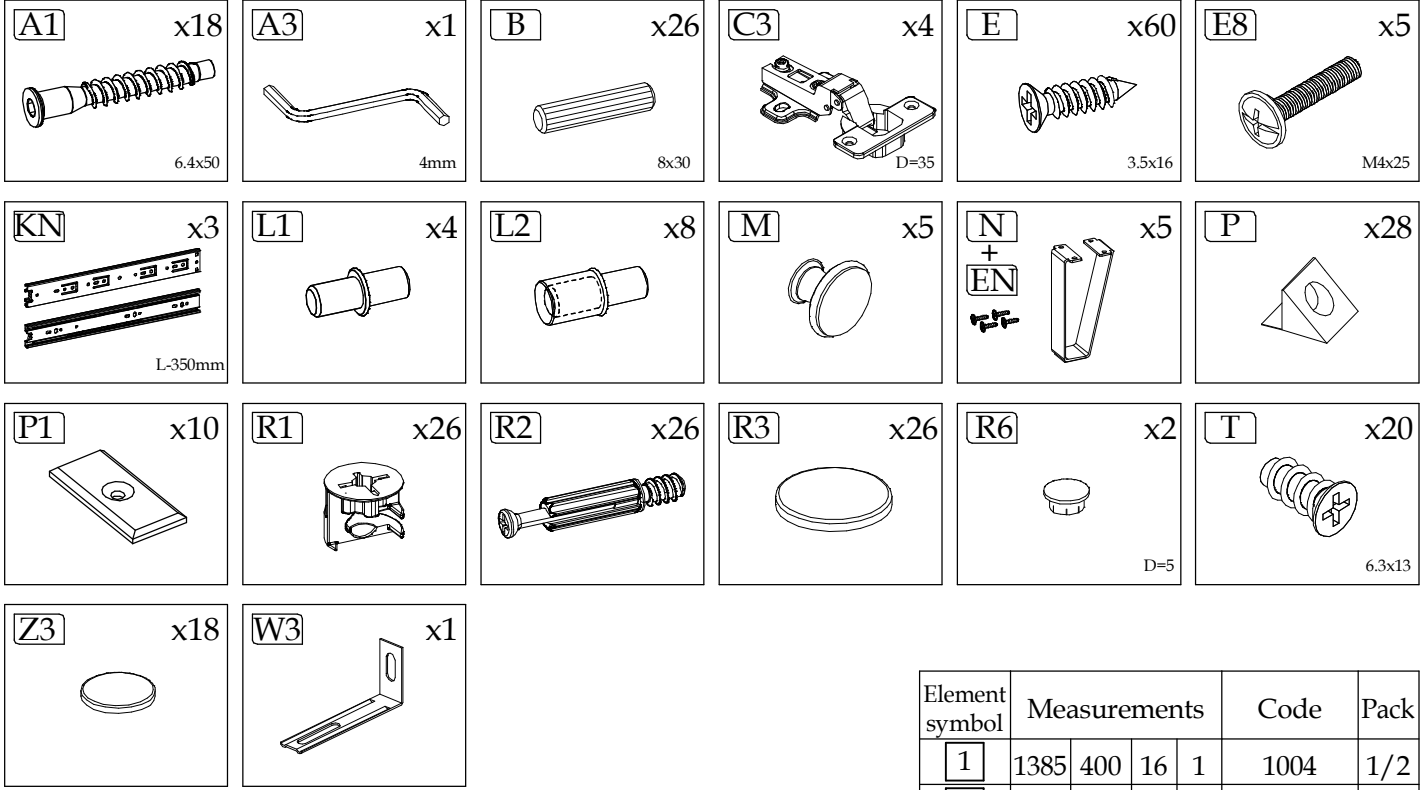
SORRENTO E



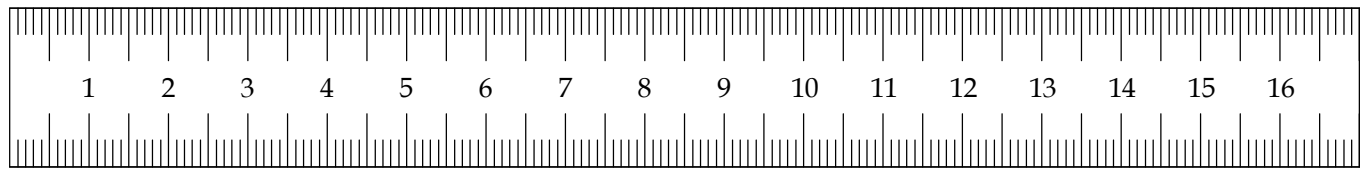
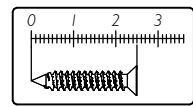
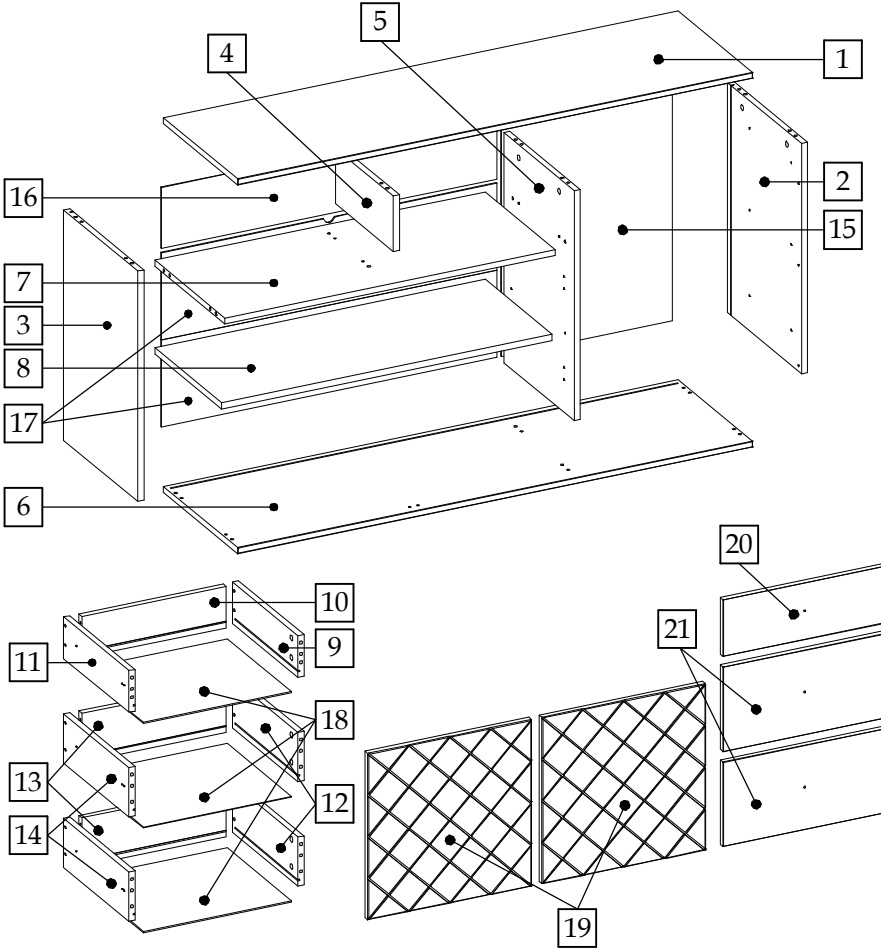
120 min

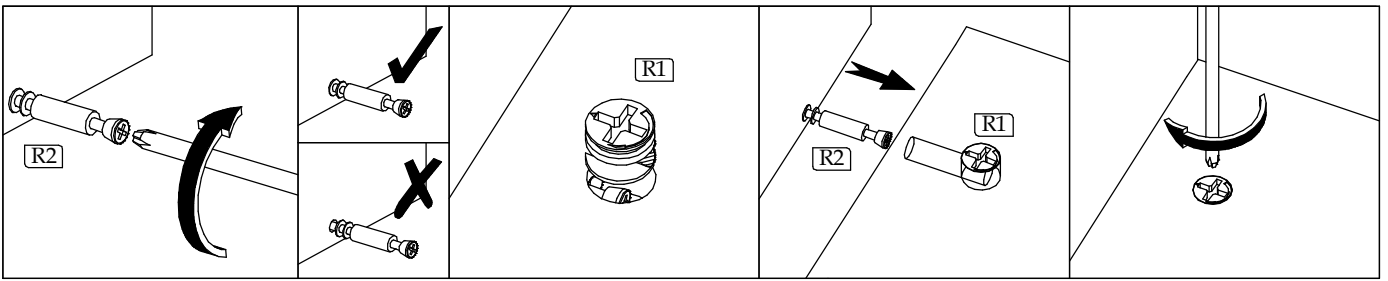




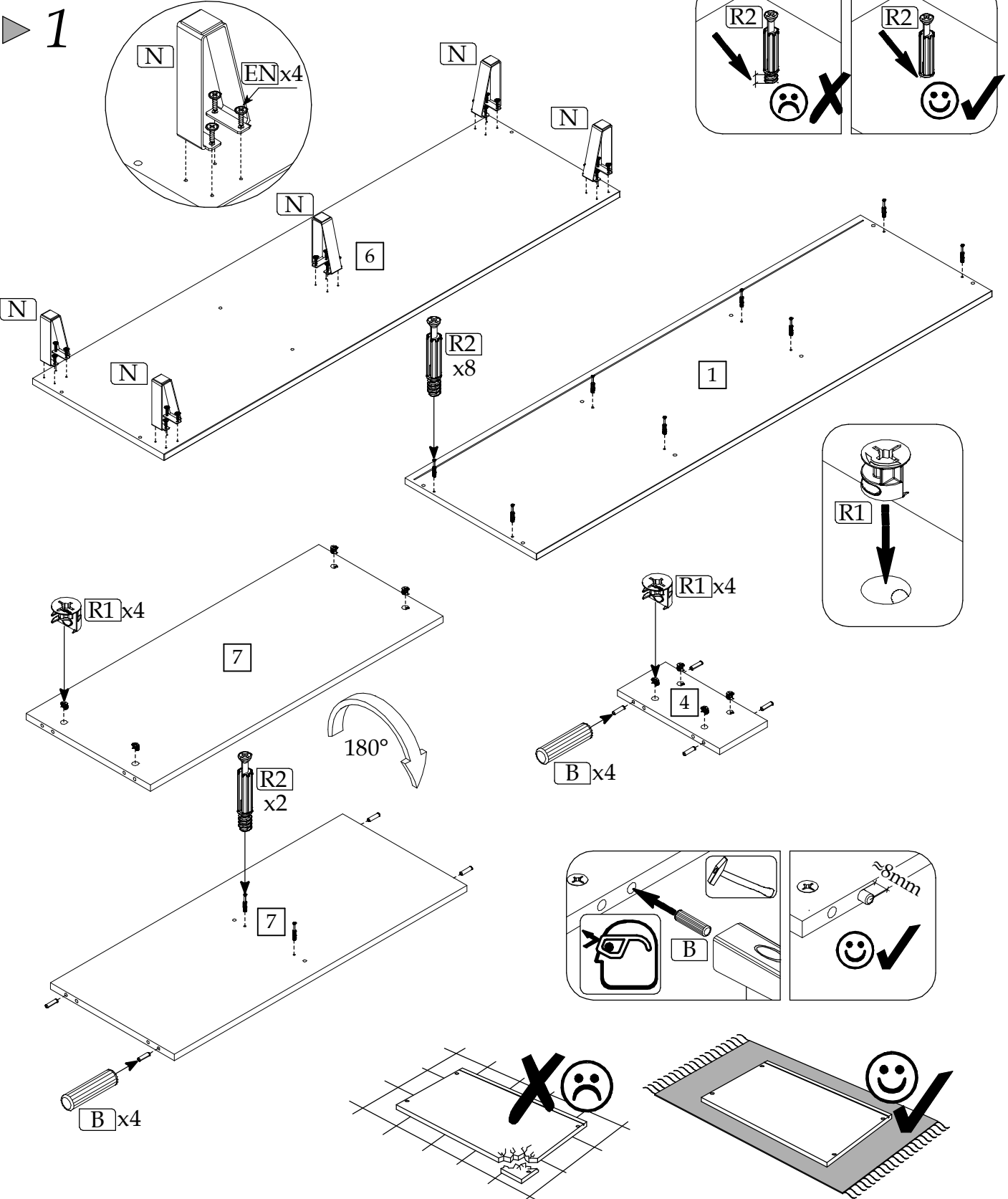


Element symbol	Measurements				Code	Pack
	1	2	3	4		
1	1385	400	16	1	1004	1/2
2	608	398	16	1	1001	1/2
3	608	398	16	1	1002	1/2
4	146	310	16	1	1057	1/2
5	608	378	16	1	1014_2014	1/2
6	1385	400	16	1	1003_2003	1/2
7	889	377	16	1	1030_2030	1/2
8	889	359	16	1	N/A	1/2
9	350	110	16	1	1043_2043	1/2
10	388	109	16	1	1044	2/2
11	350	110	16	1	1045_2045	1/2
12	350	130	16	2	1034-1038	1/2
13	388	129	16	2	1035-1039	2/2
14	350	130	16	2	1029-1040	1/2
15	622	461	3	1	N/A	2/2
16	903	161	3	1	N/A	1/2
17	903	232	3	2	1081_v	1/2
18	398	344	3	3	N/A	1/2
19	442	442	16	2	3001-3002	2/2
20	442	152	16	1	1007_3003	2/2
21	442	225	16	2	3004-3005	2/2

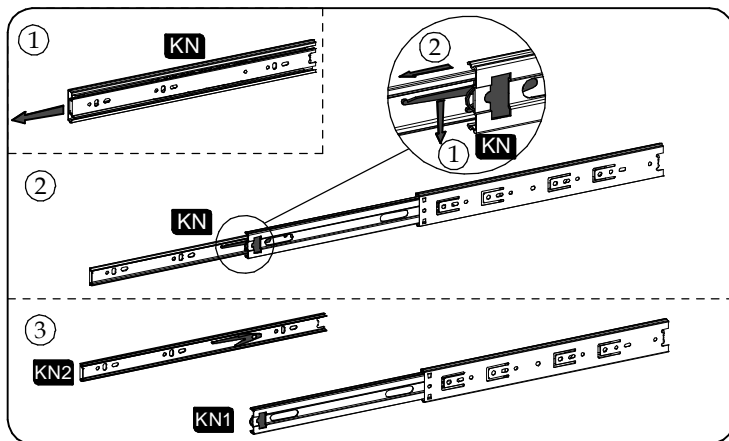
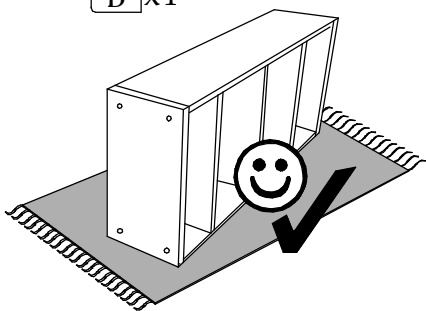
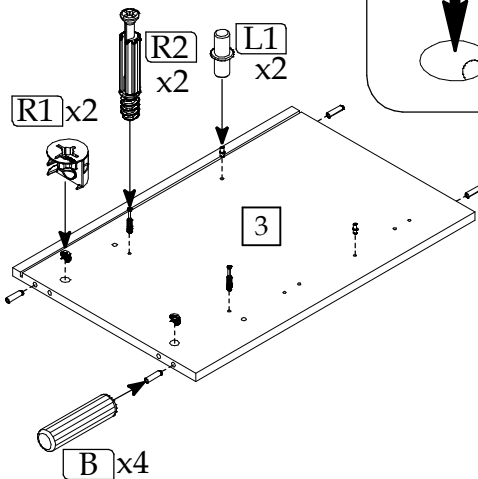
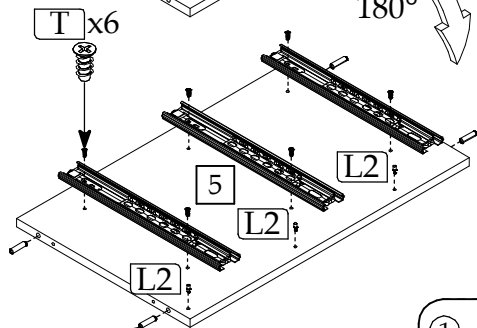
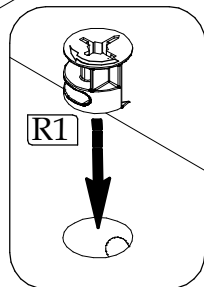
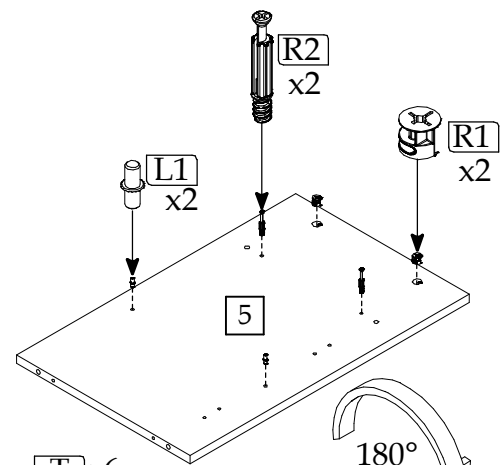
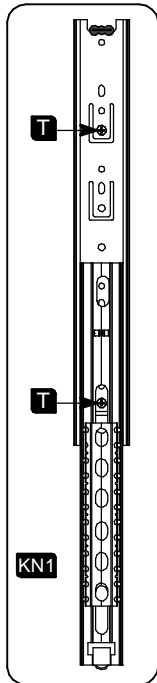
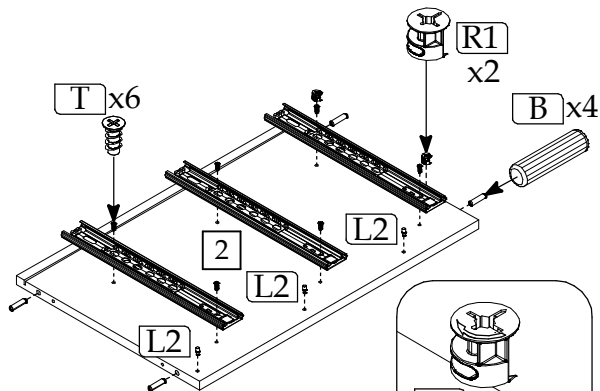
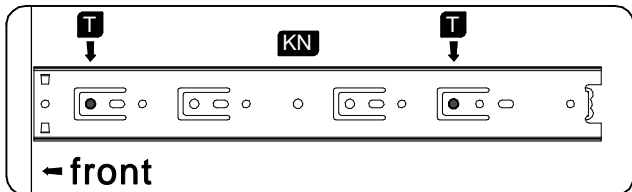




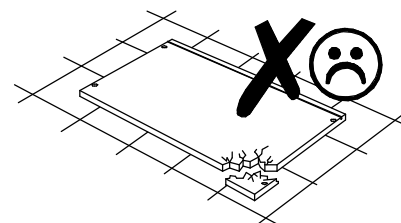
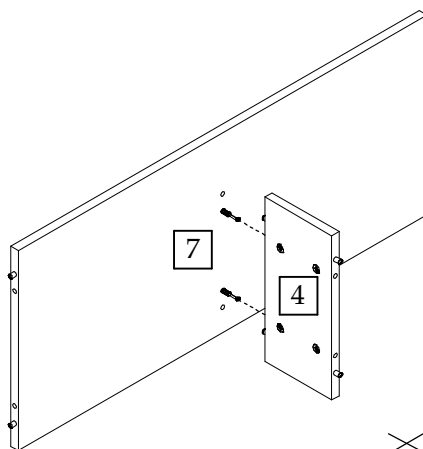
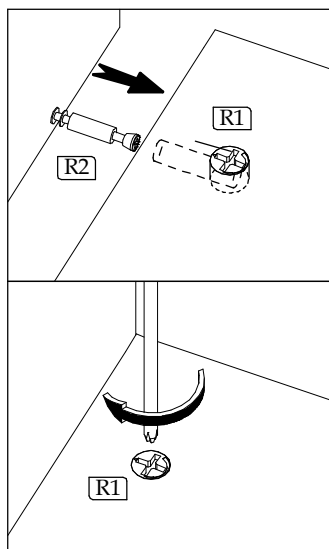
▶ 1



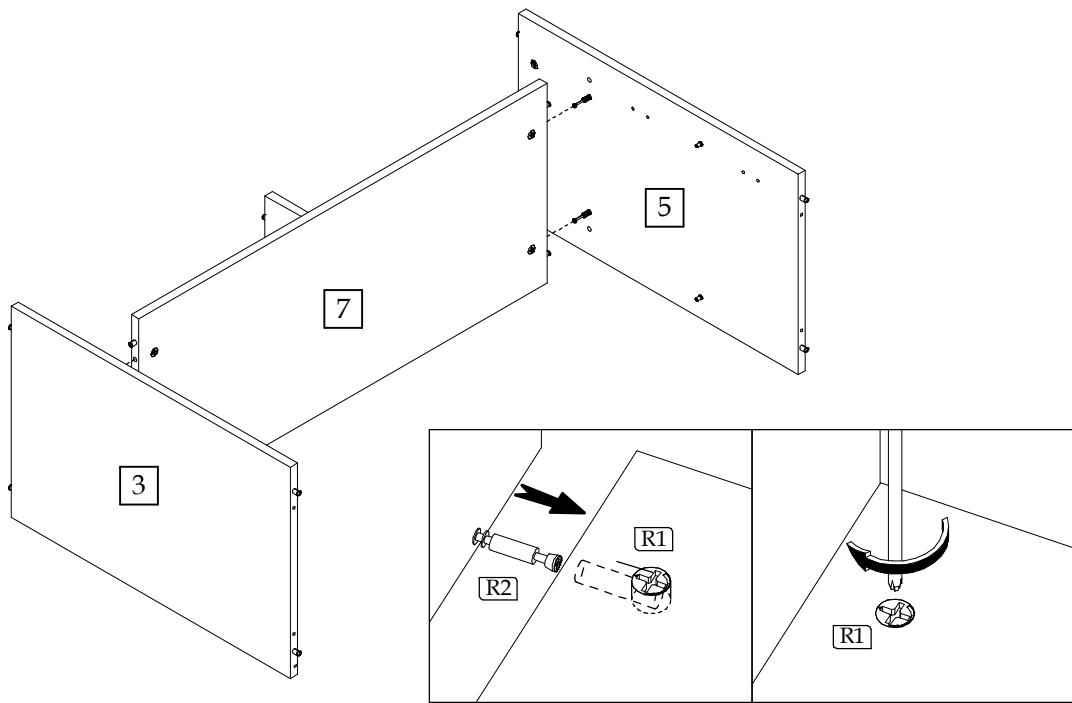
▶ 2



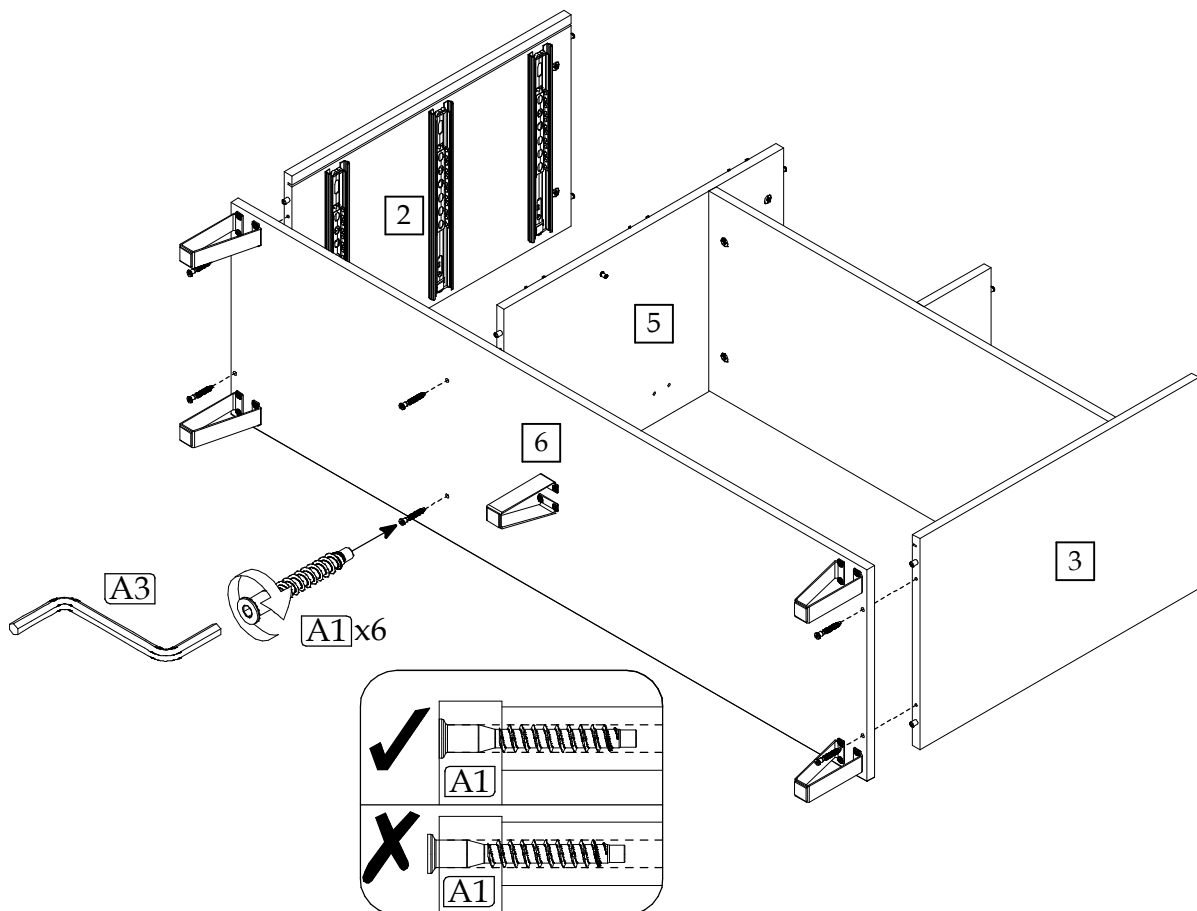
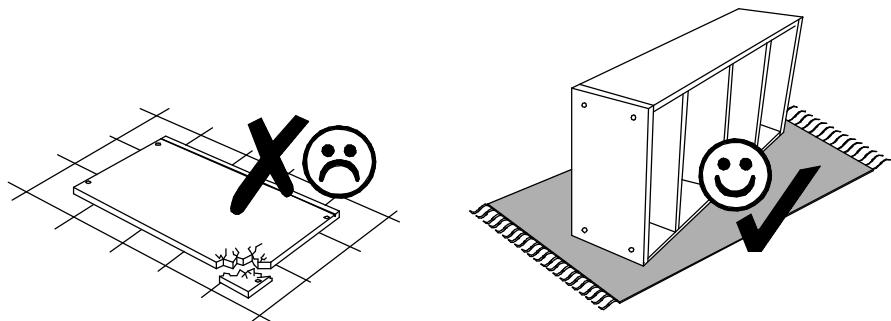
▶ 3



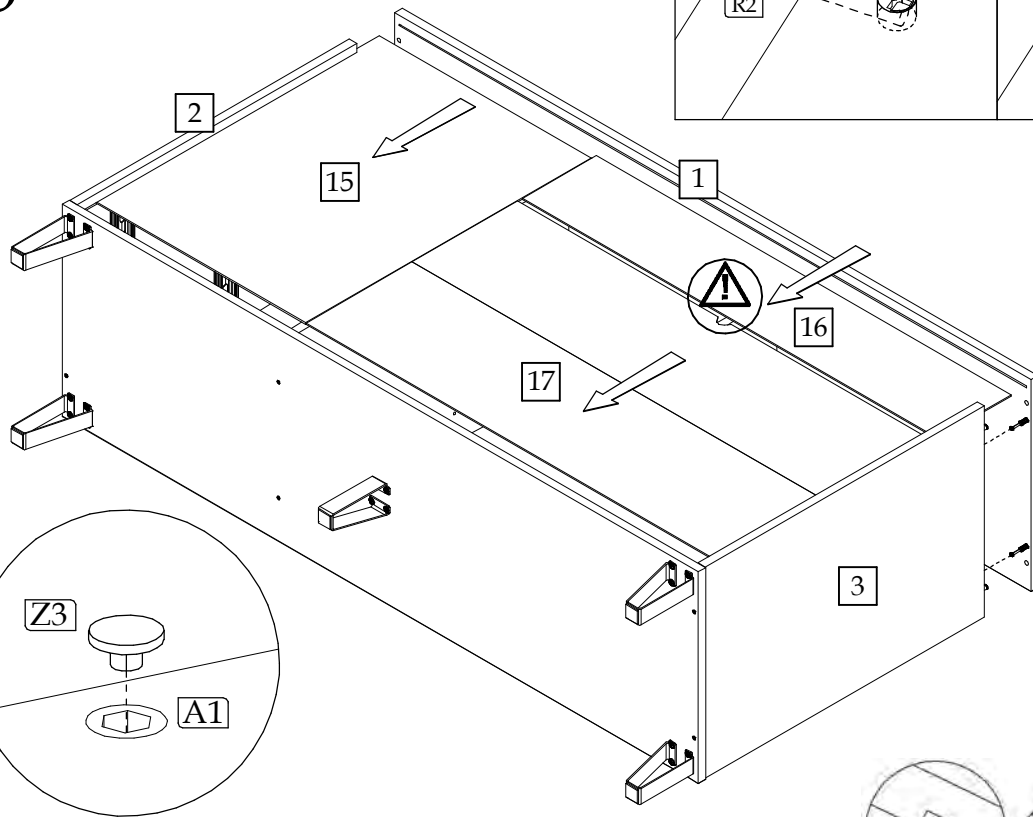
▶ 4



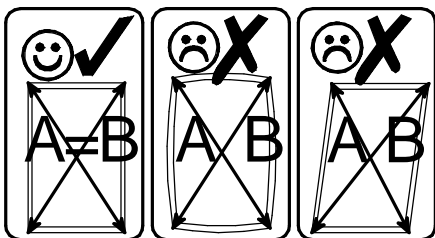
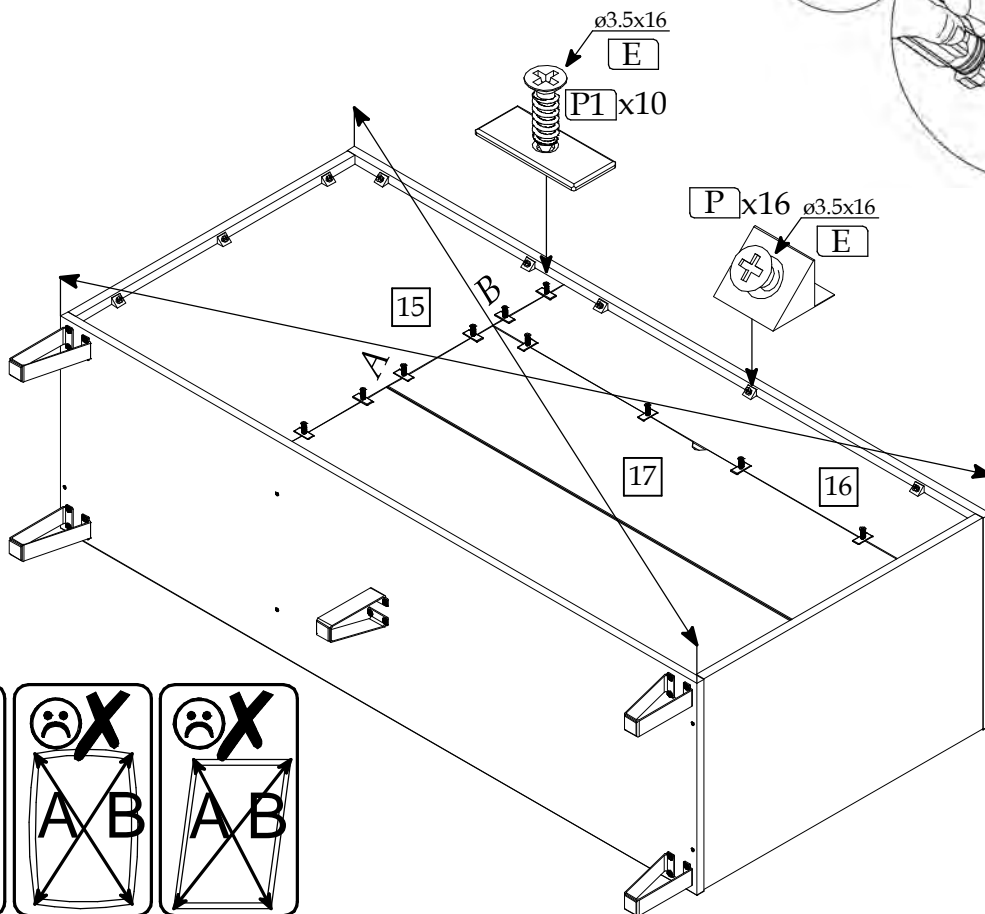
▶ 5



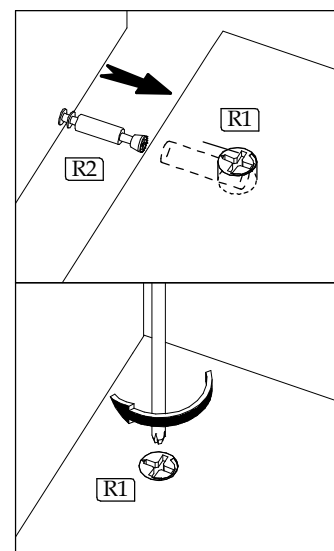
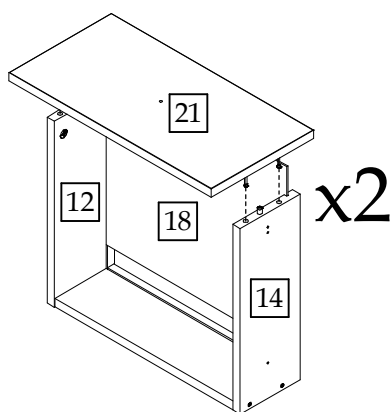
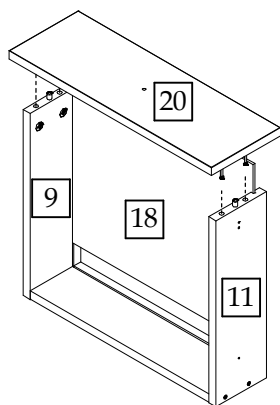
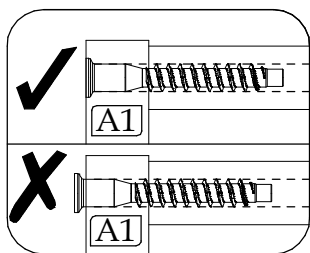
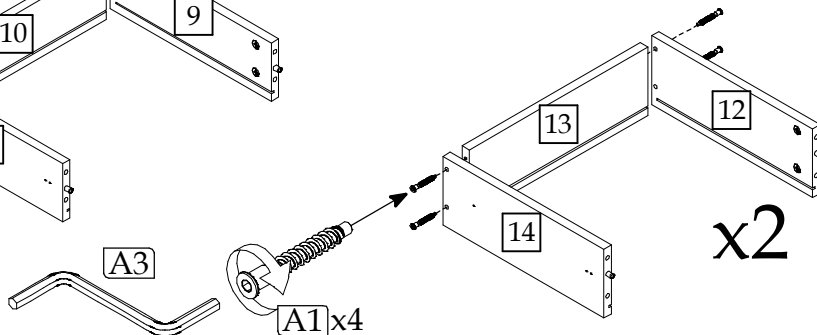
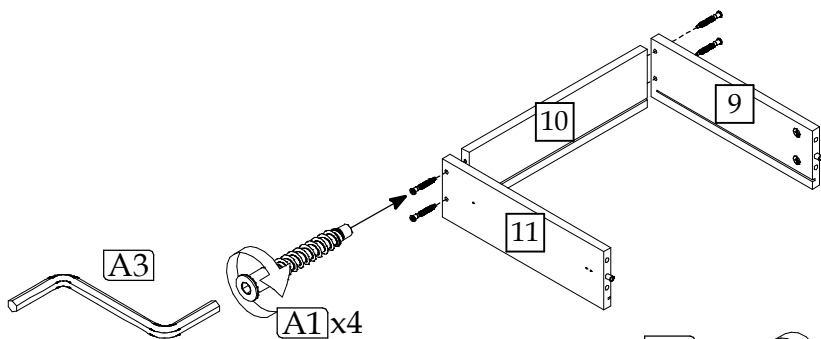
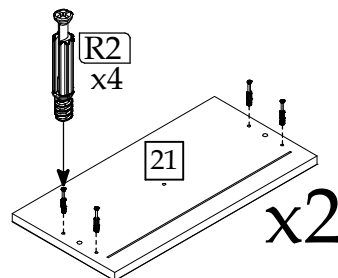
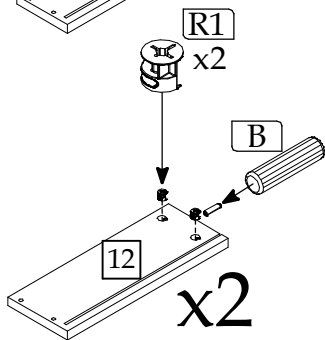
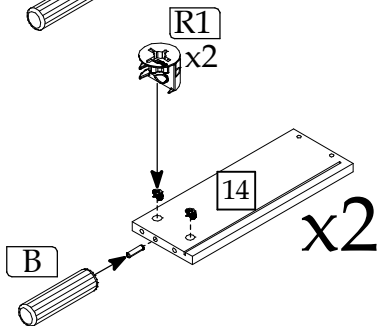
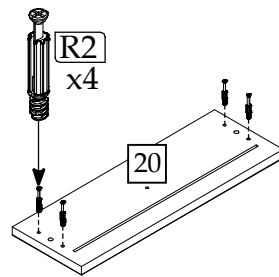
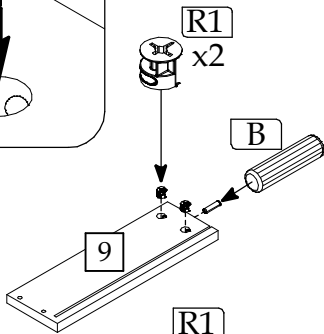
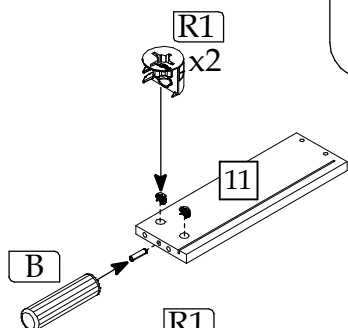
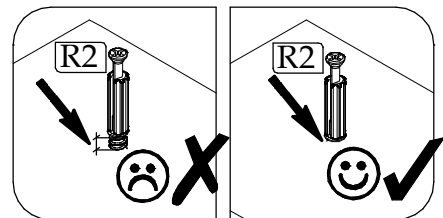
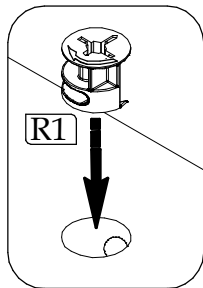
▶ 6



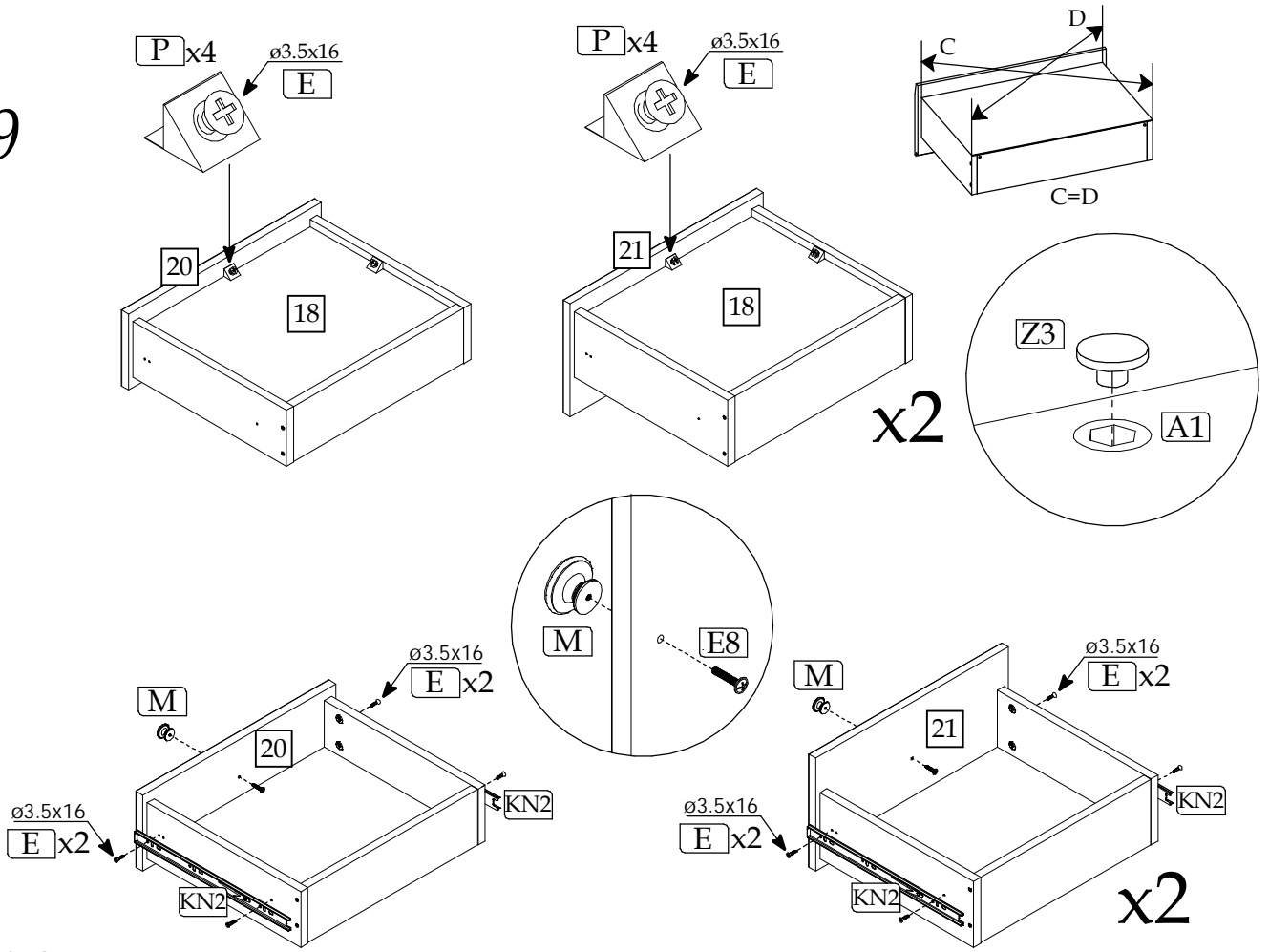
▶ 7



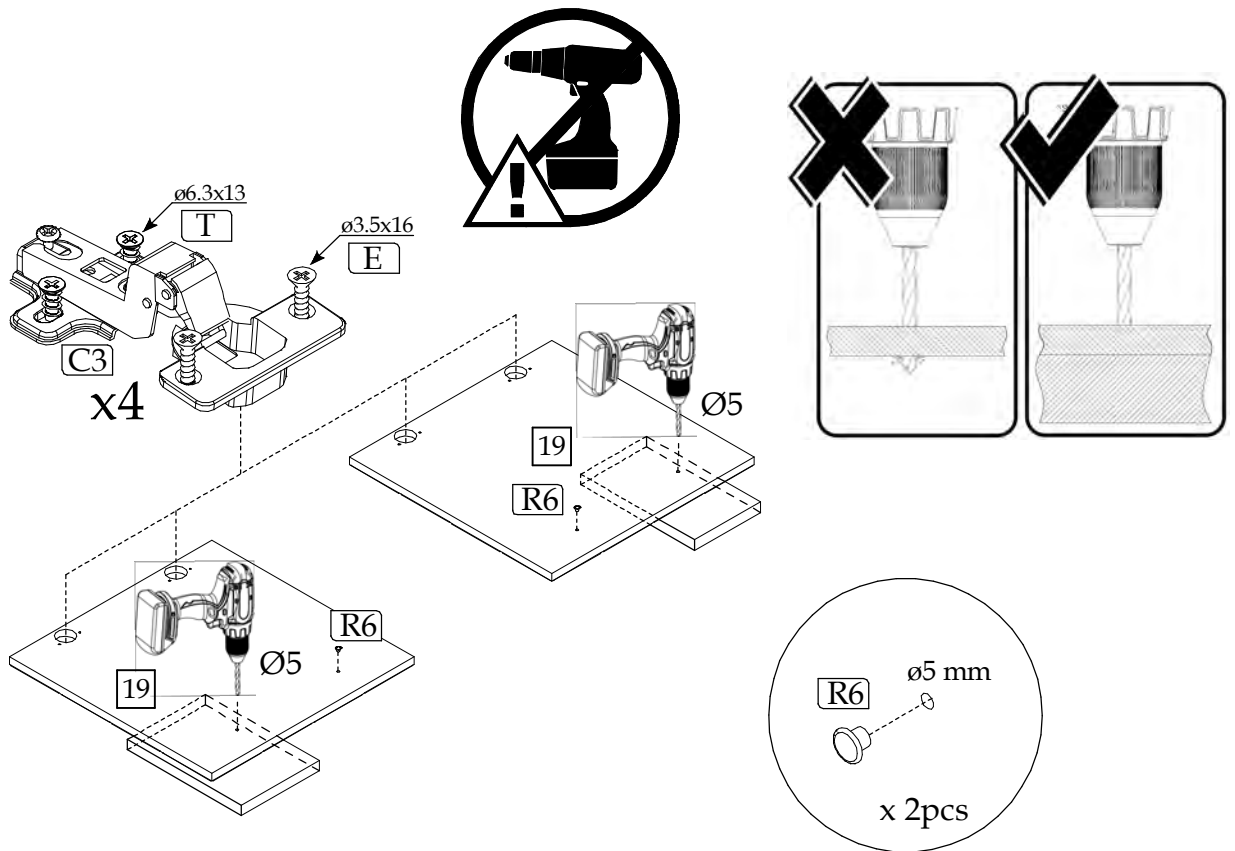
▶ 8



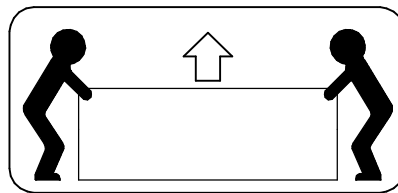
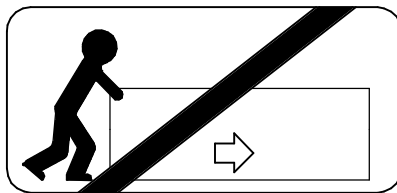
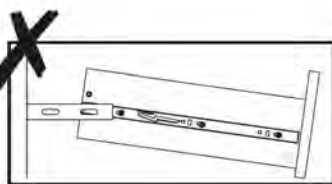
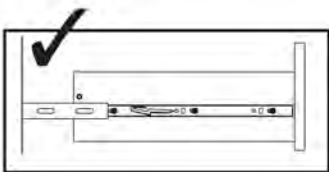
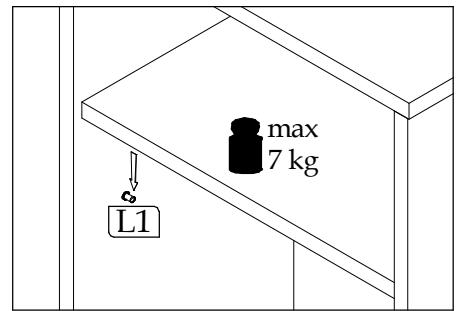
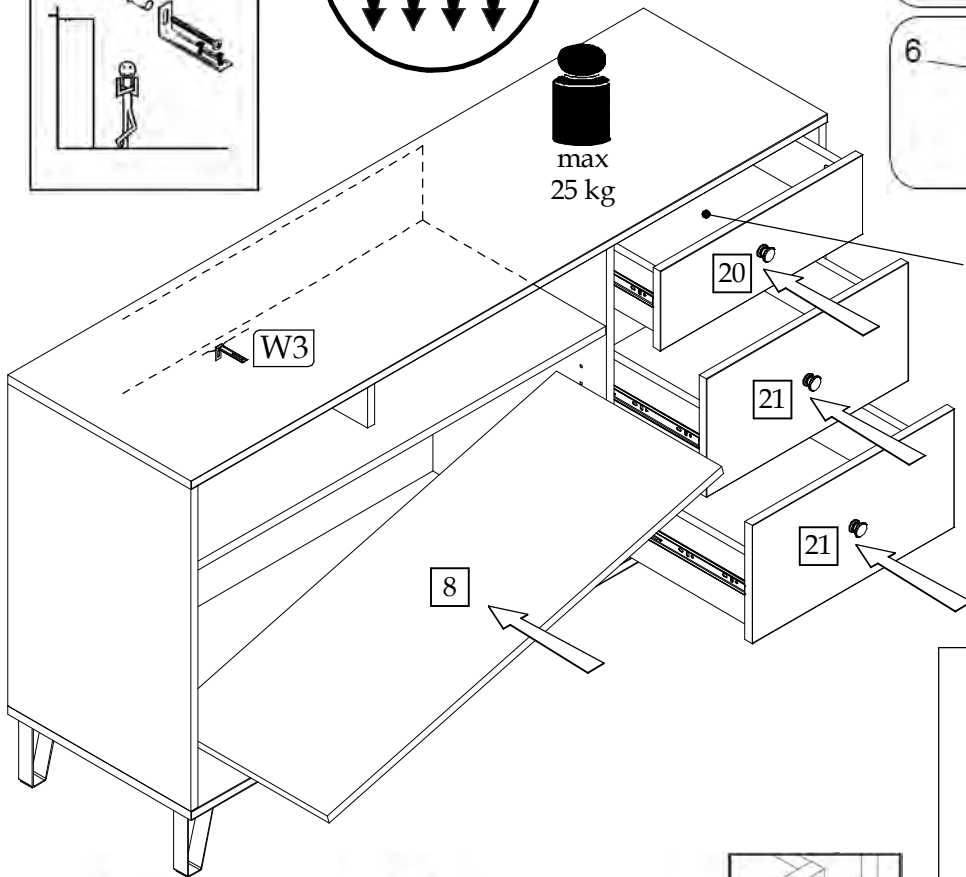
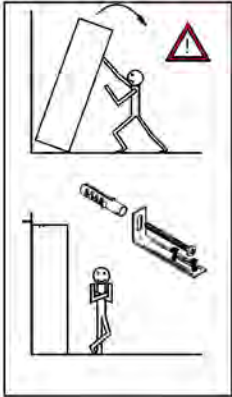
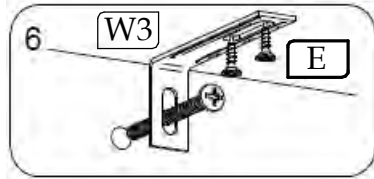
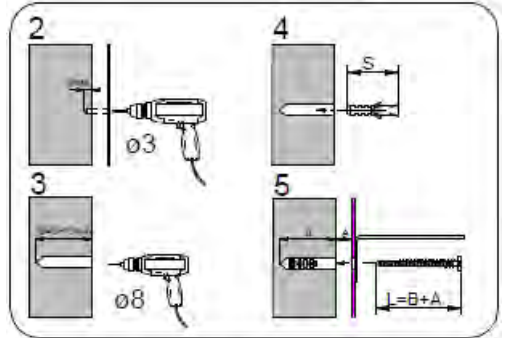
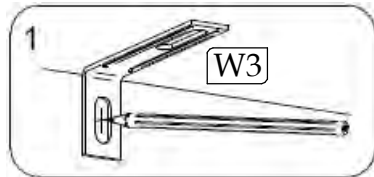
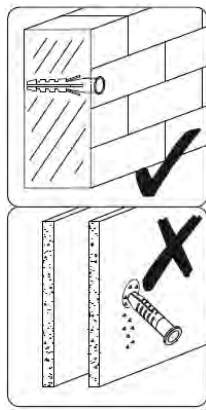
▶ 9



▶ 10



▶ 11



▶ 12

