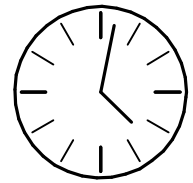
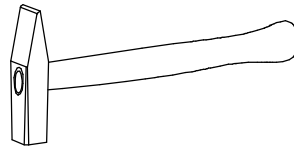
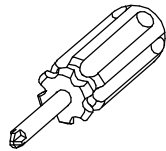
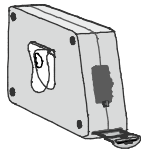
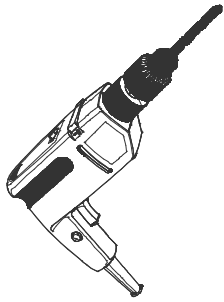
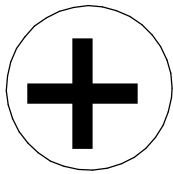
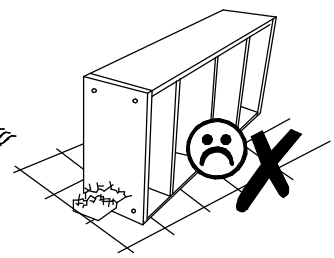
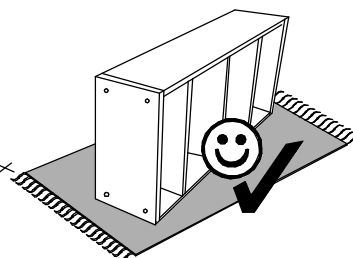
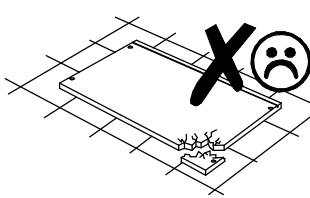
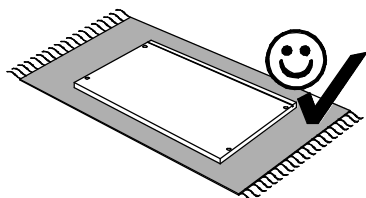
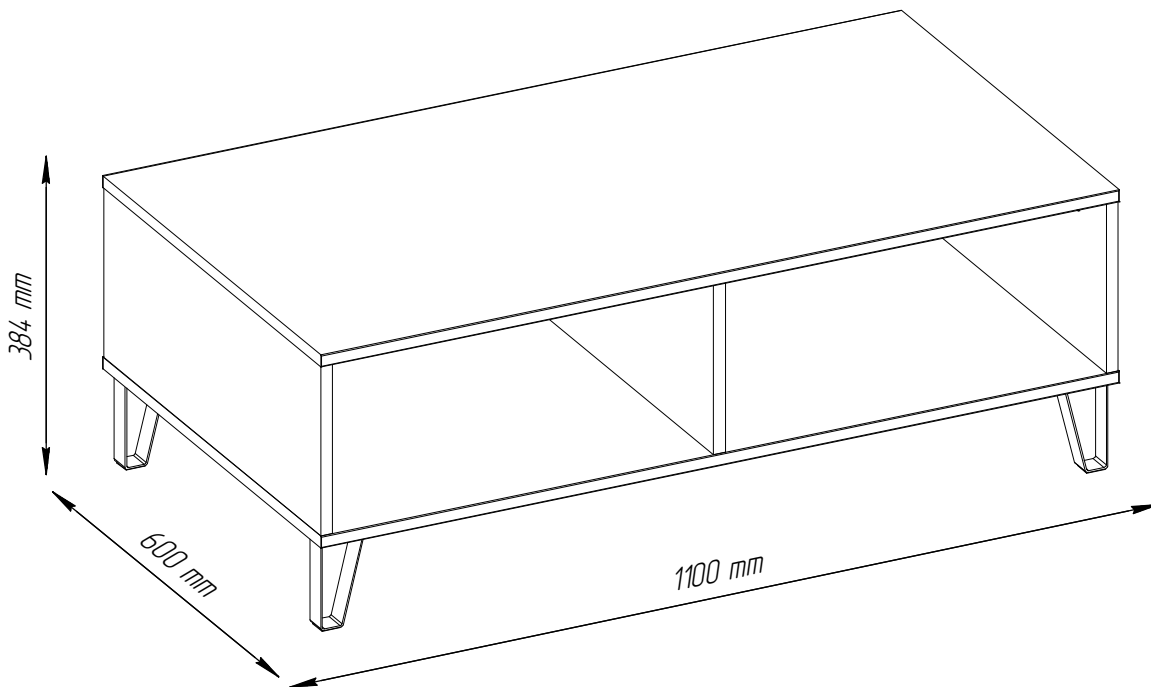
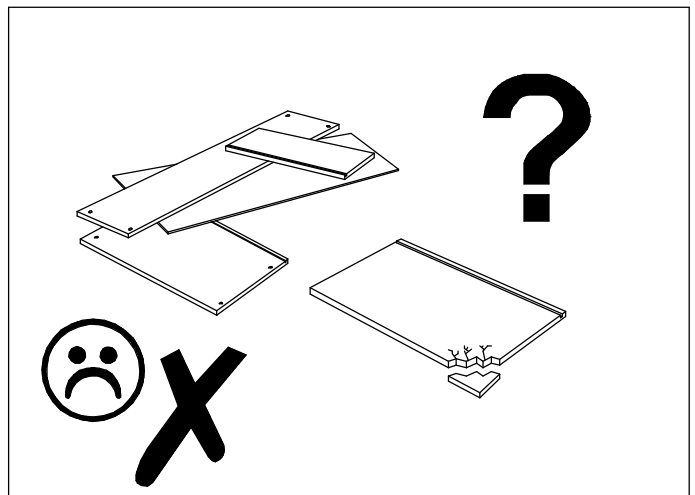
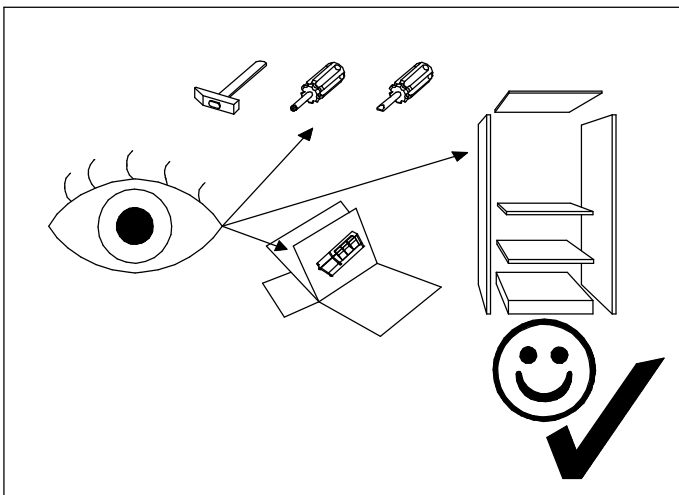
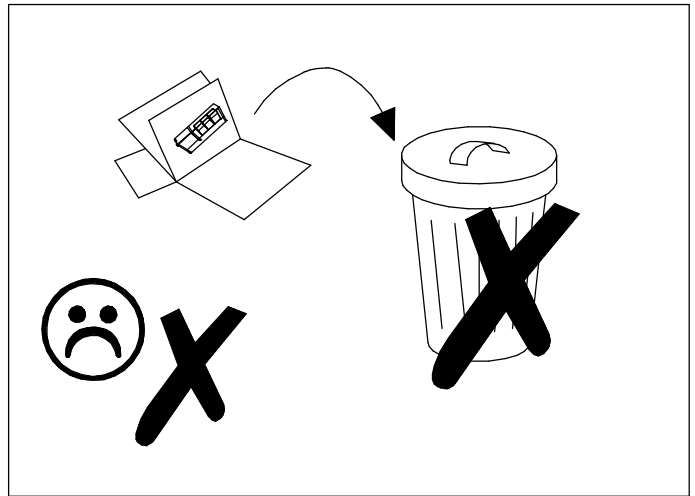
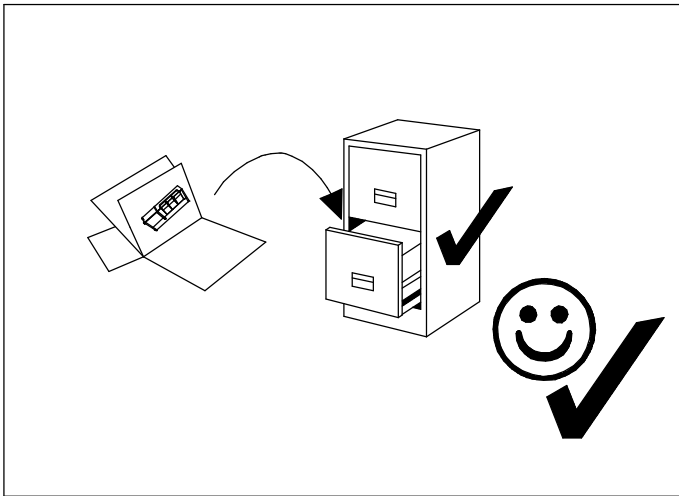
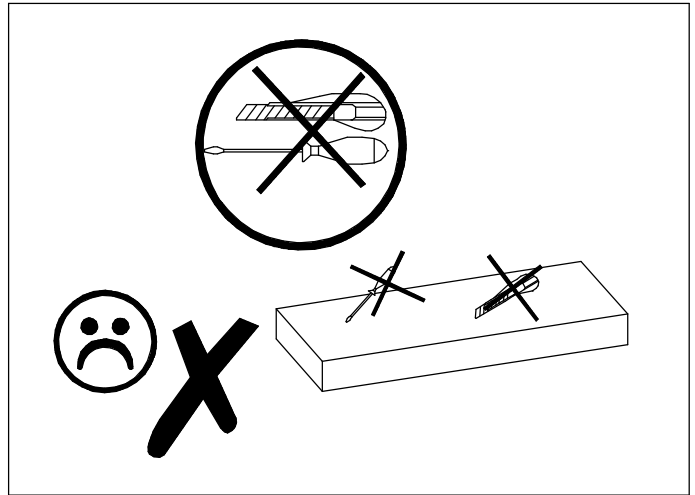
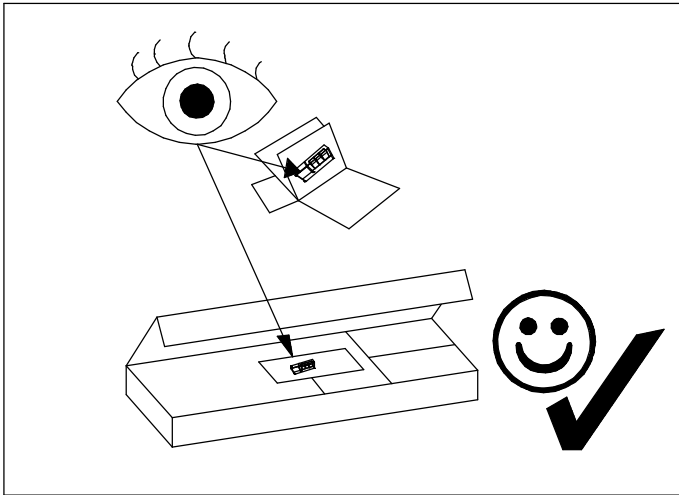


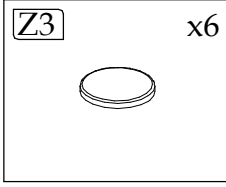
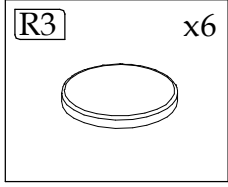
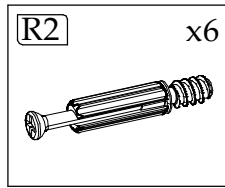
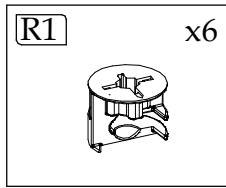
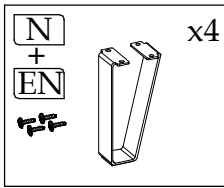
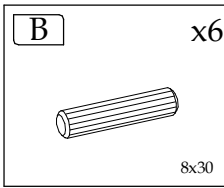
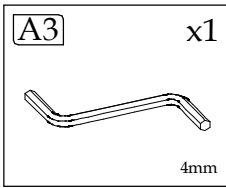
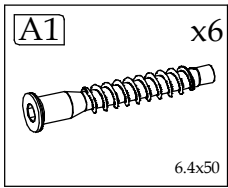
SORRENTO T



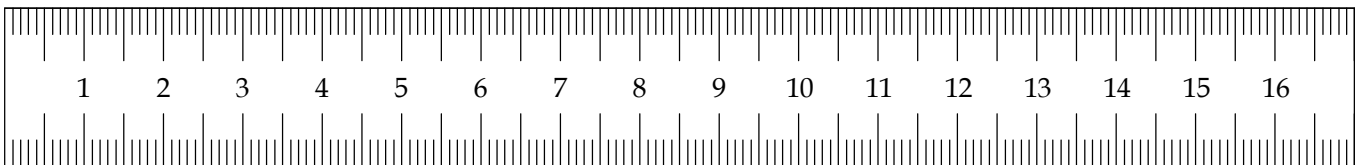
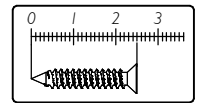
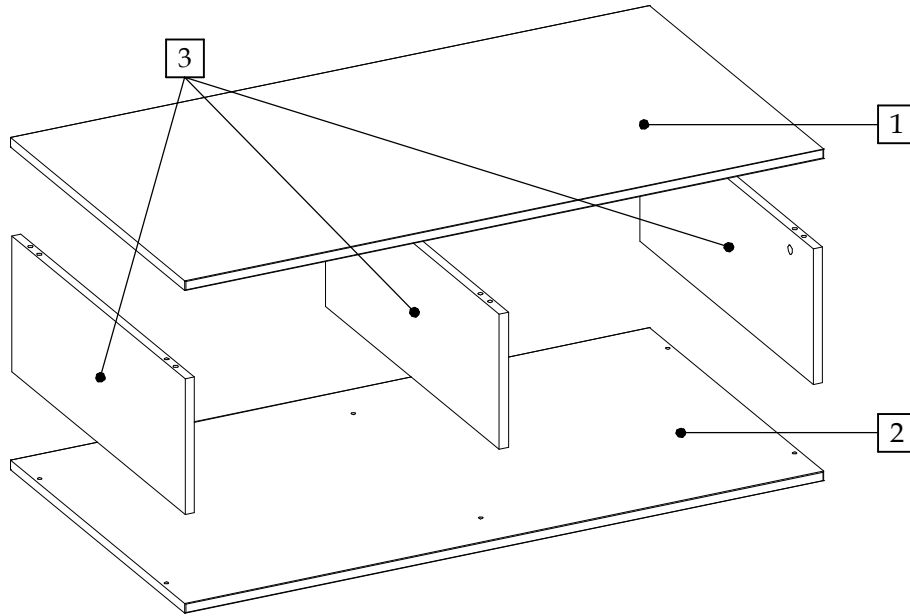
60 min

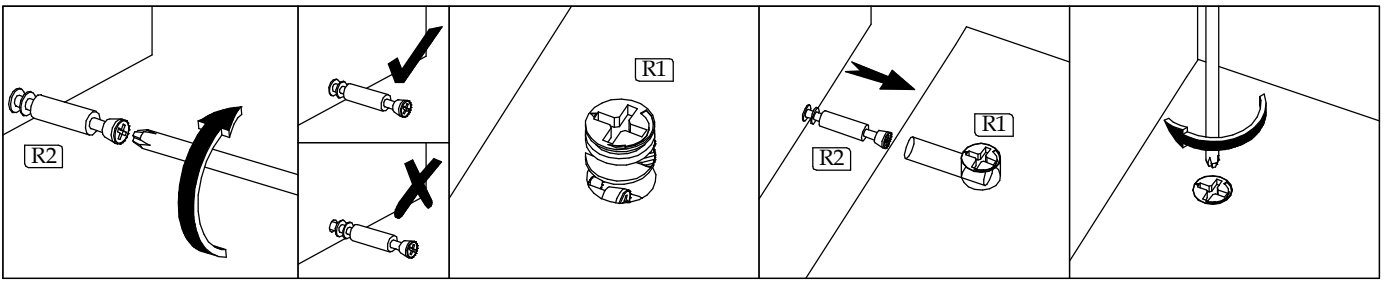




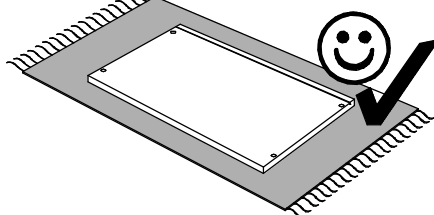
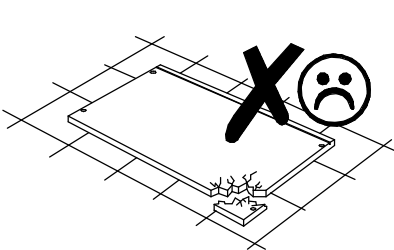
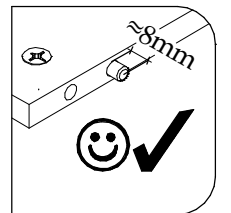
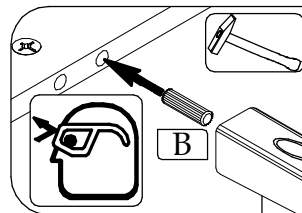
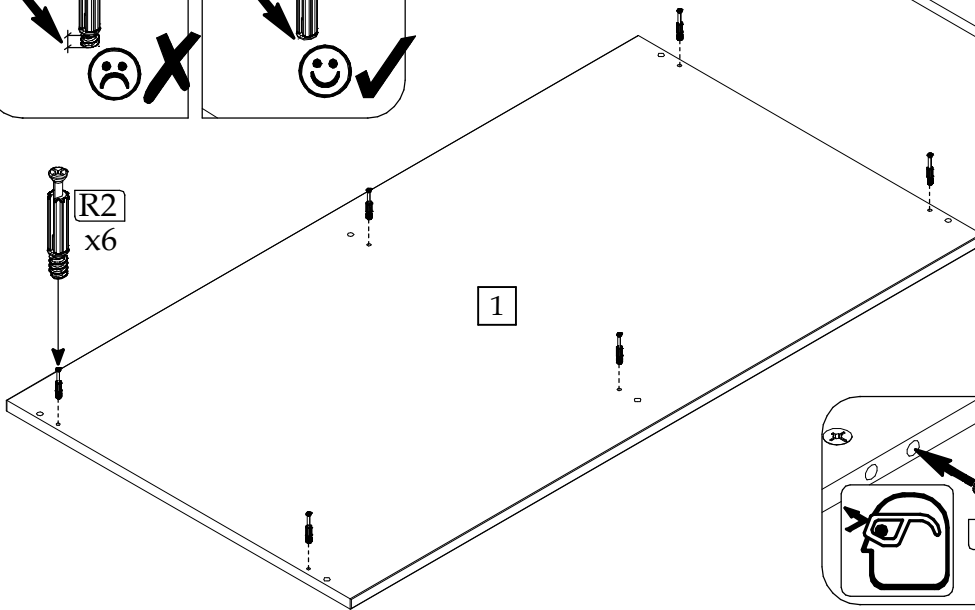
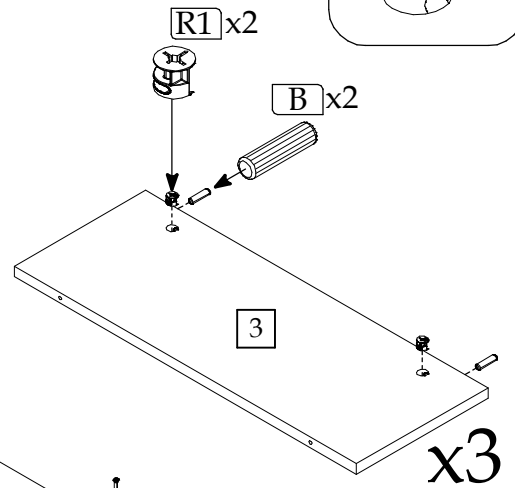
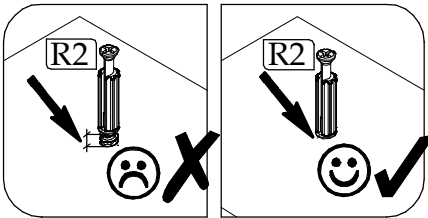
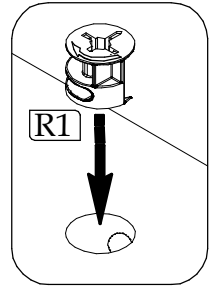
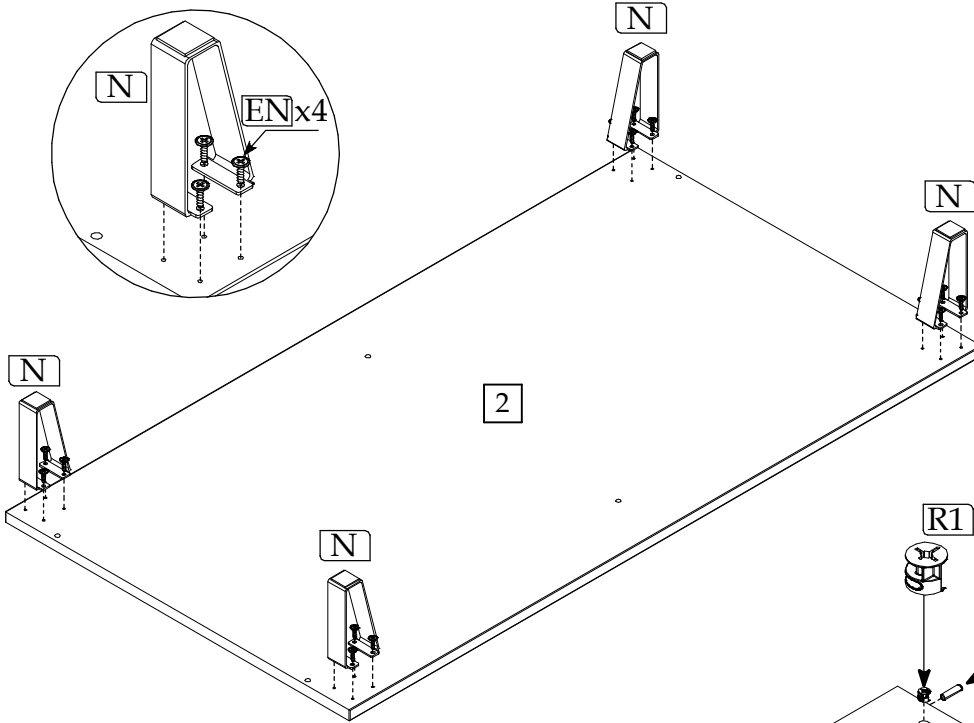
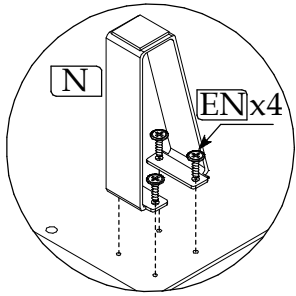


Element symbol	Measurements				Code	Pack
	1	2	3	4		
1	1100	600	16	1	1004	1/1
2	1100	600	16	1	1003_2003	1/1
3	229	596	16	3	1001-1002-1039	1/1

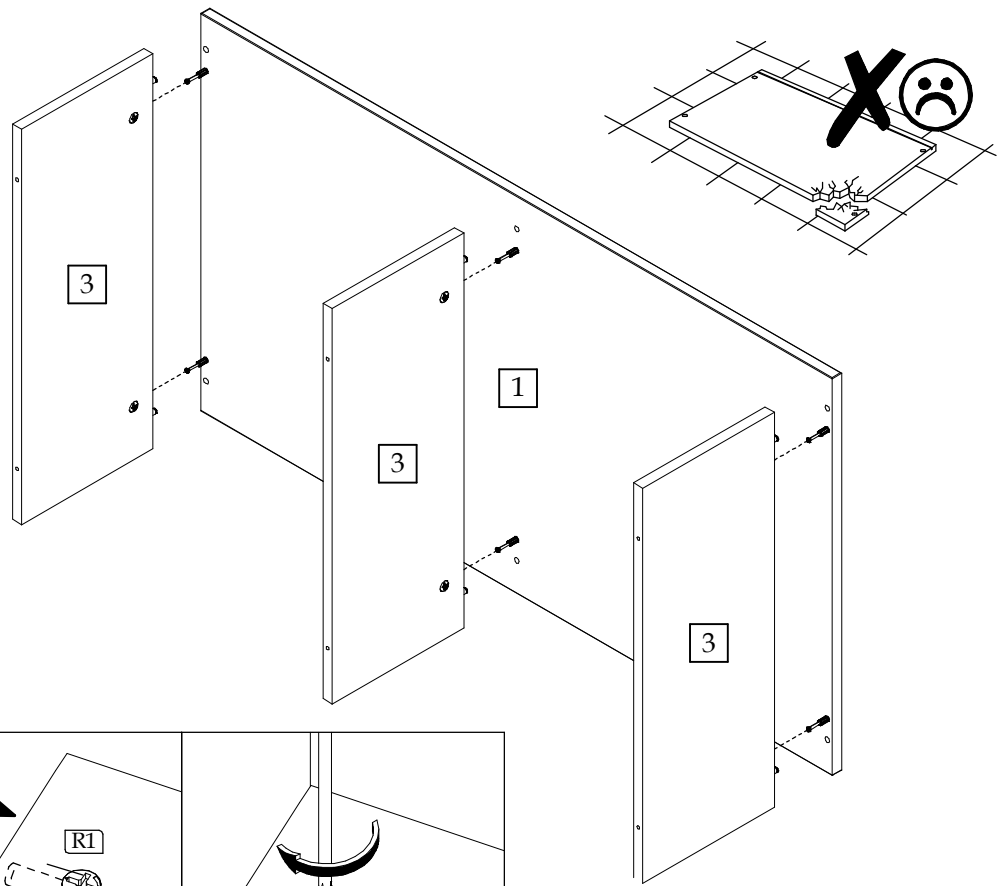




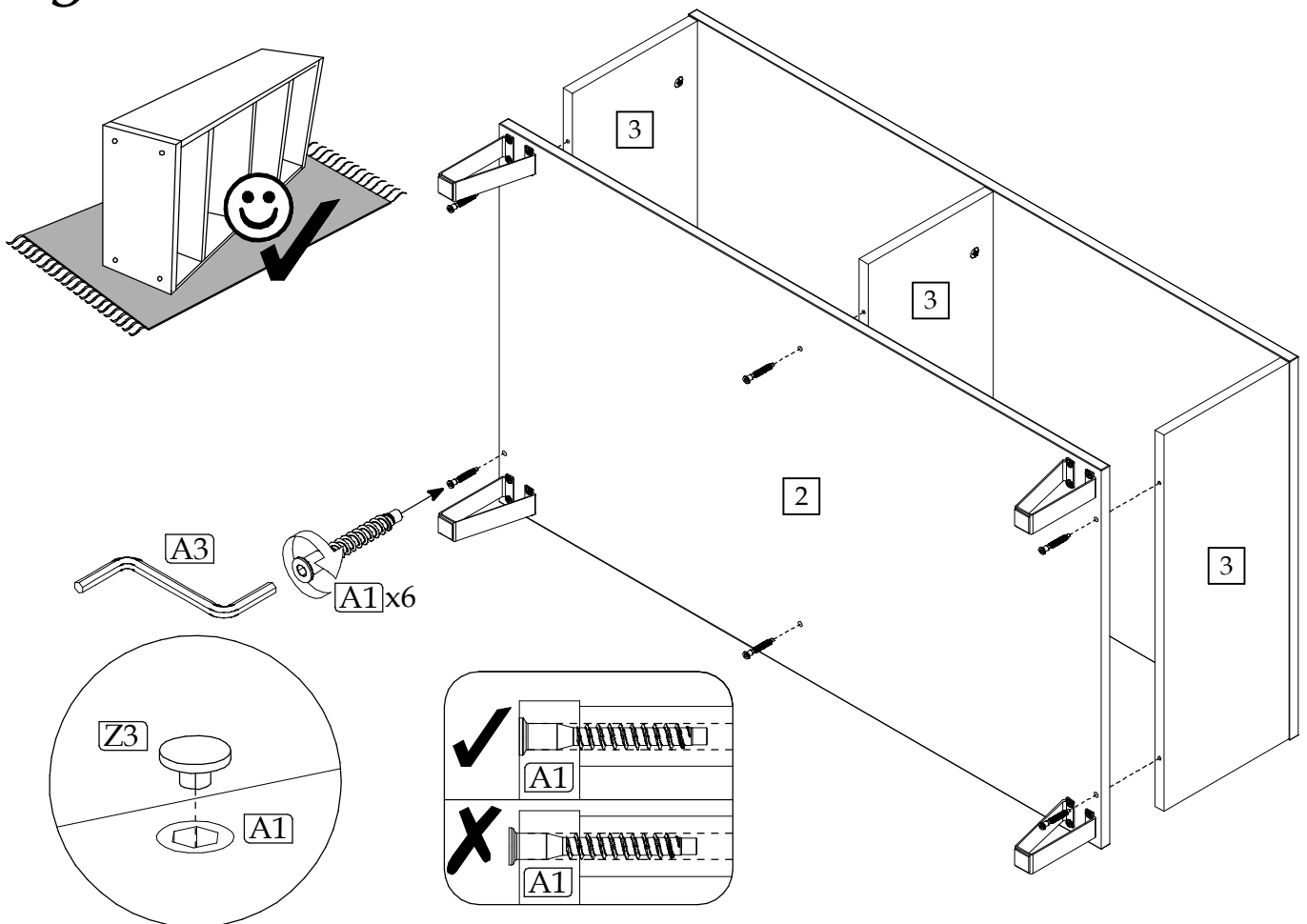
▶ 1



▶ 2



▶ 3



▶ 4

