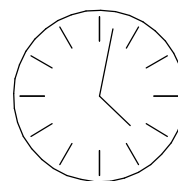
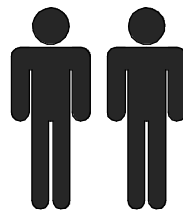
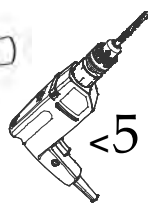
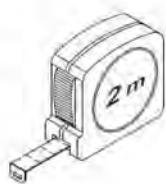
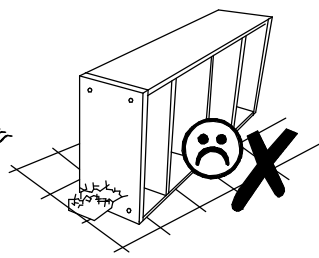
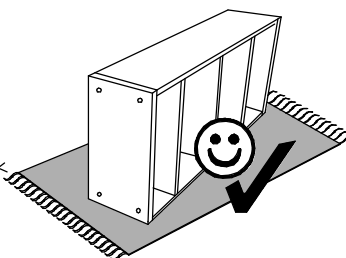
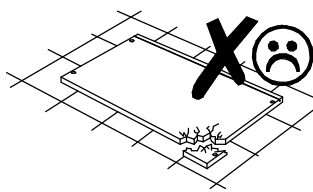
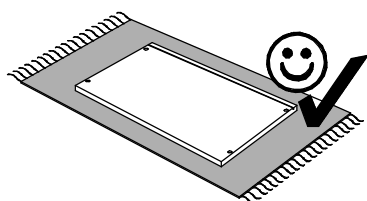
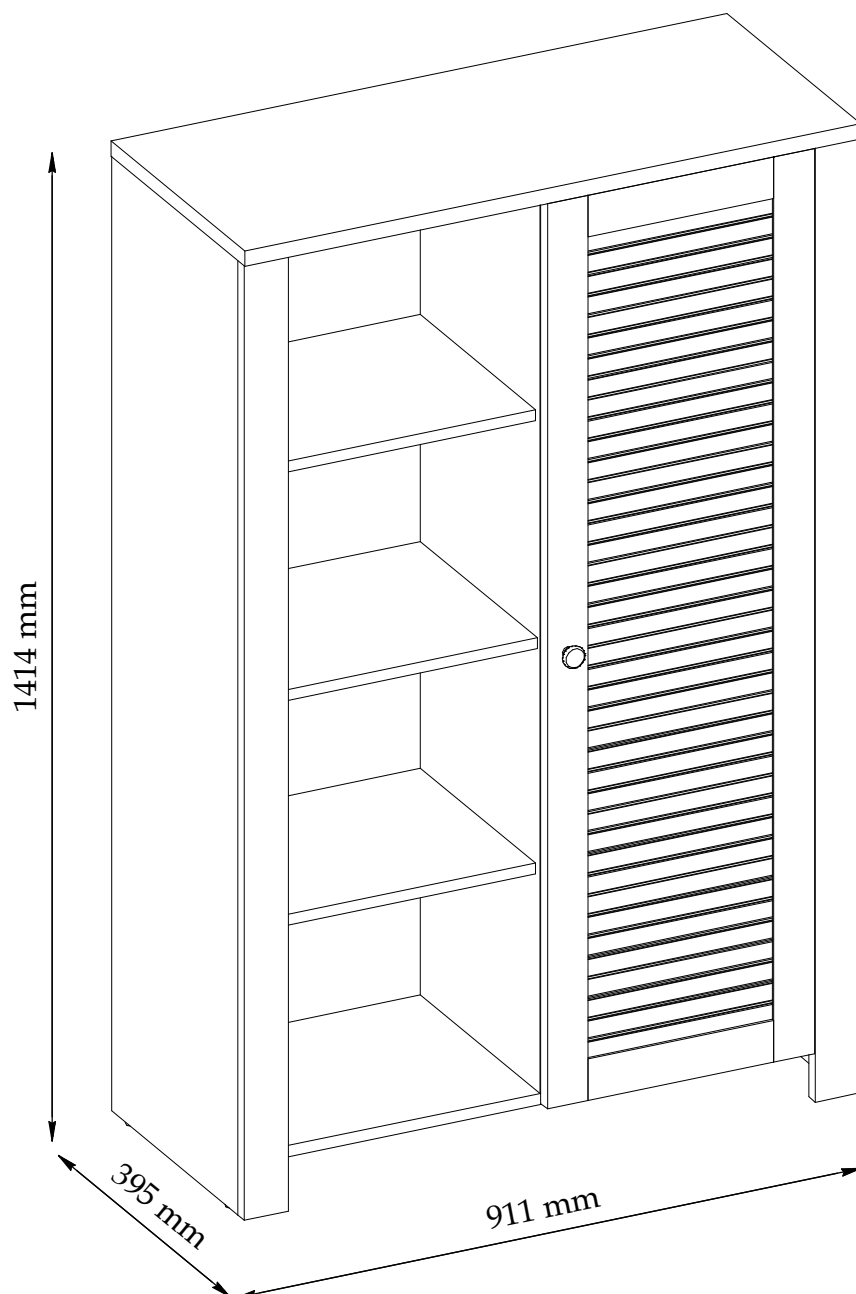


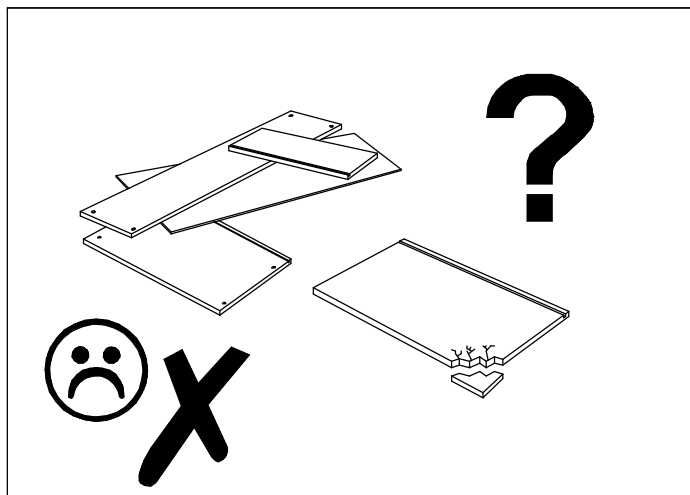
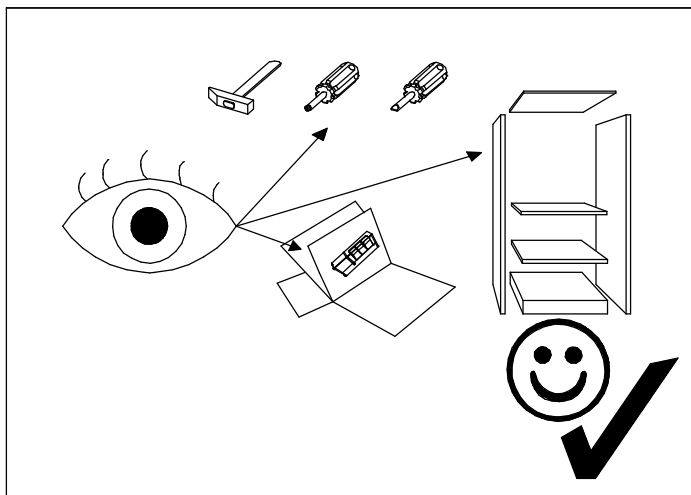
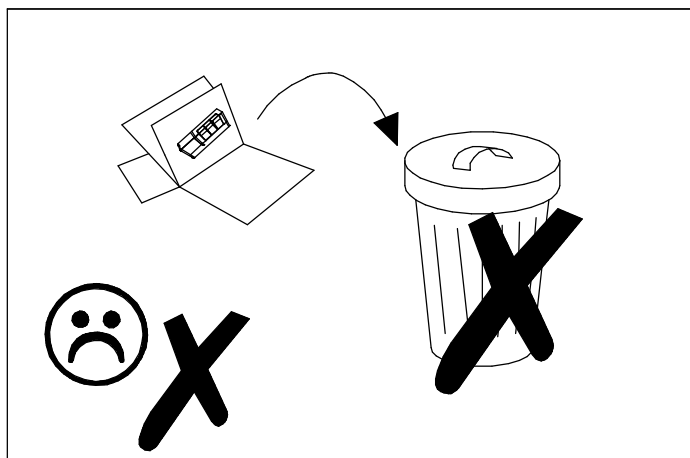
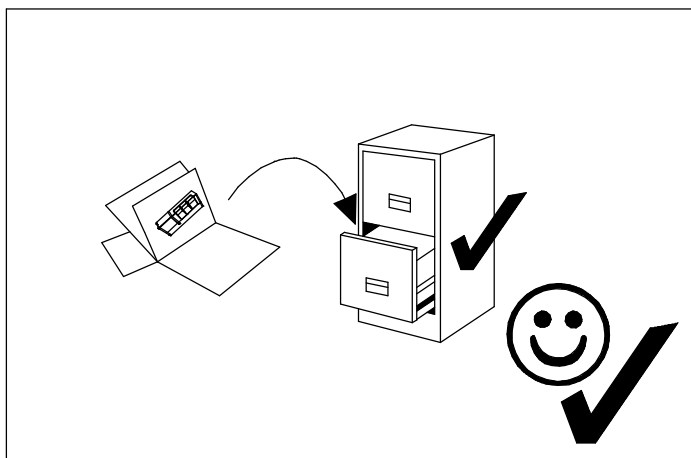
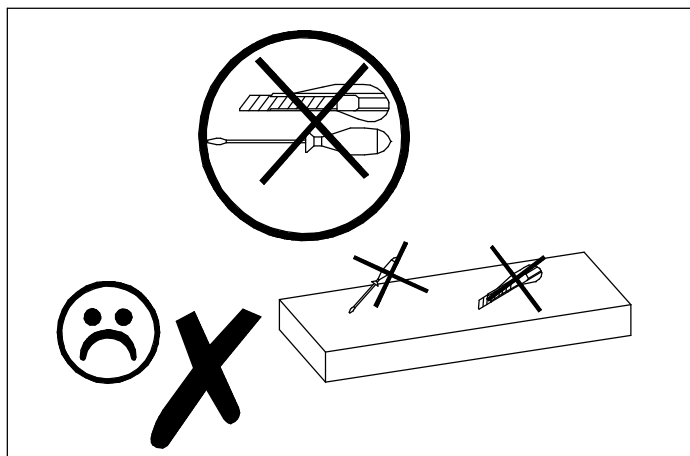
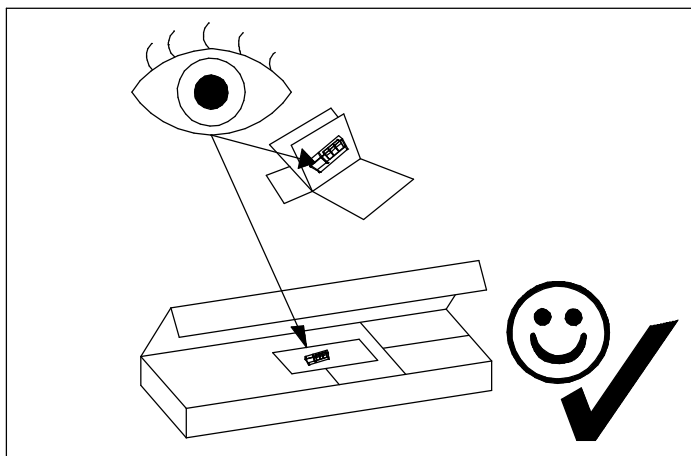
SEVILLA C

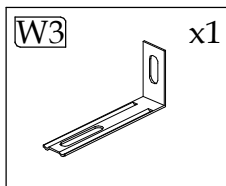
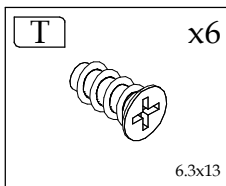
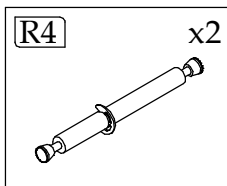
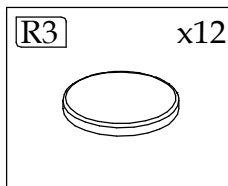
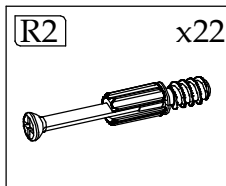
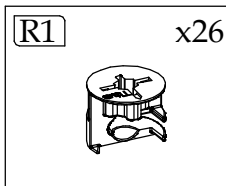
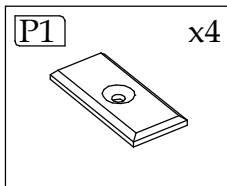
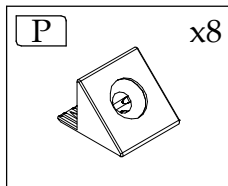
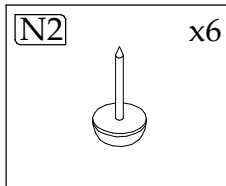
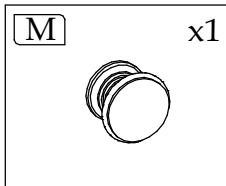
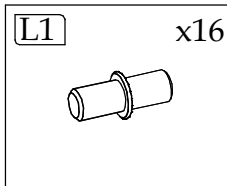
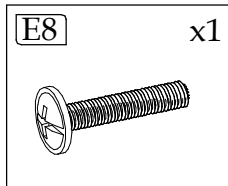
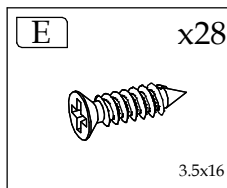
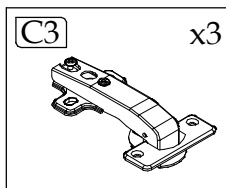
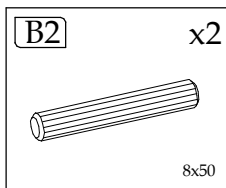
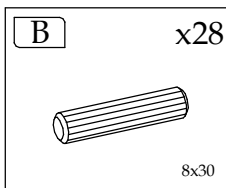
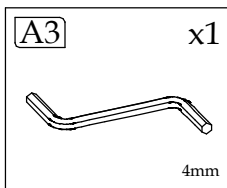
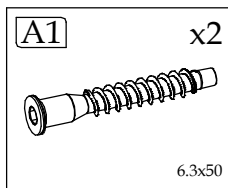


90 min

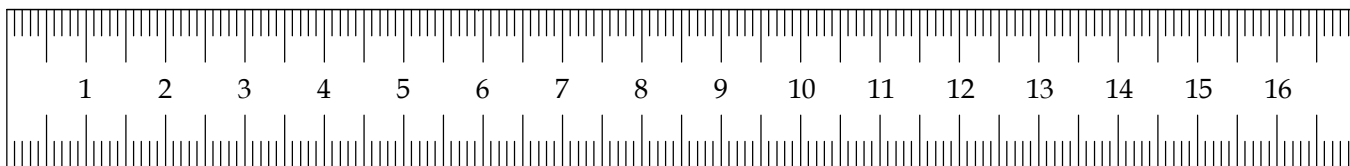
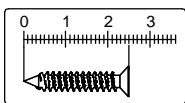
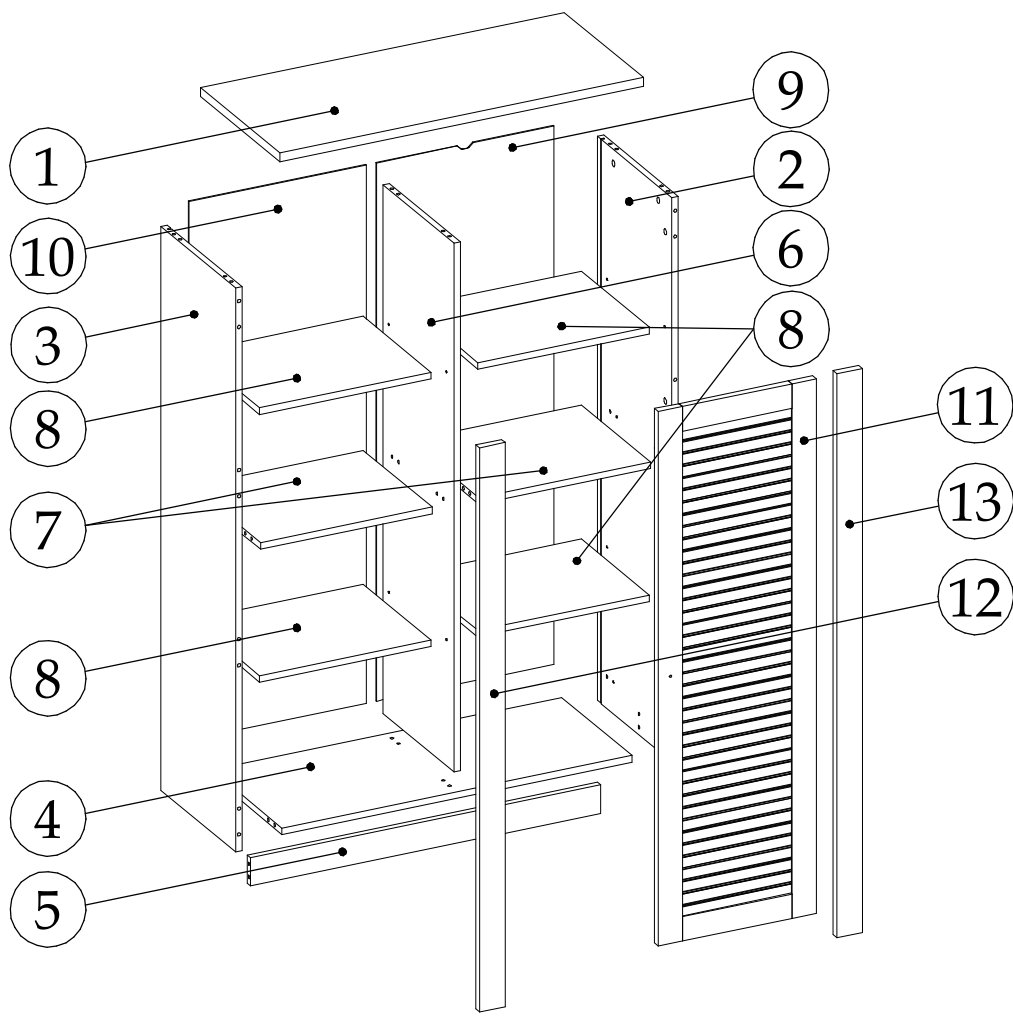
INDEKS 3372527

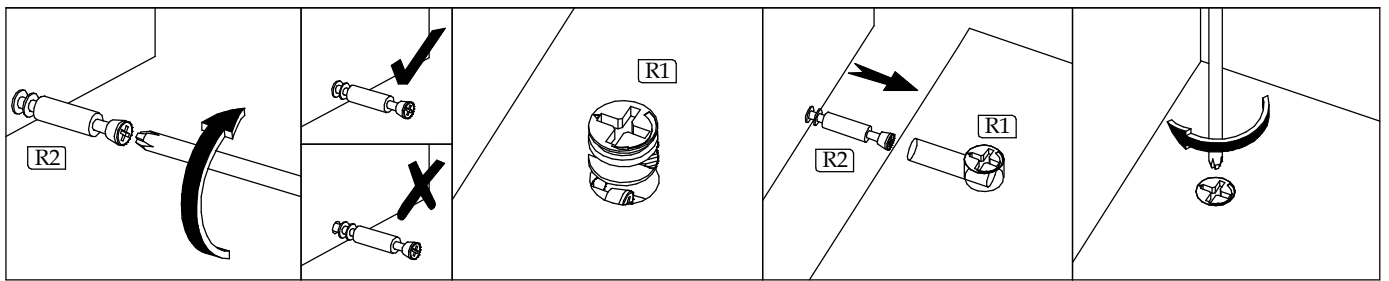




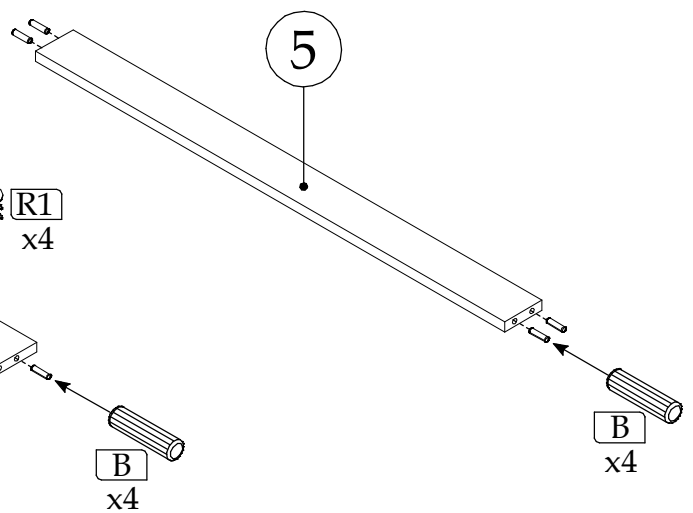
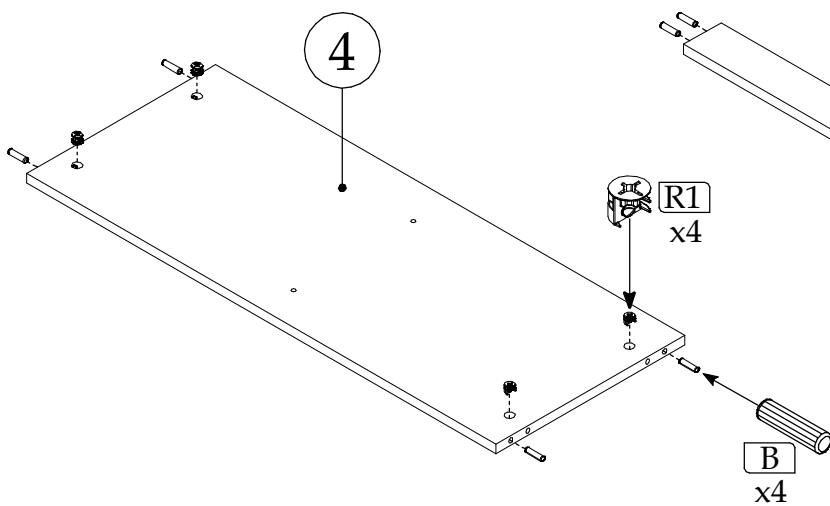
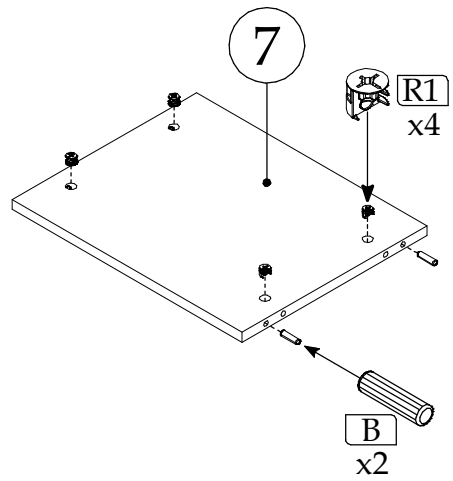
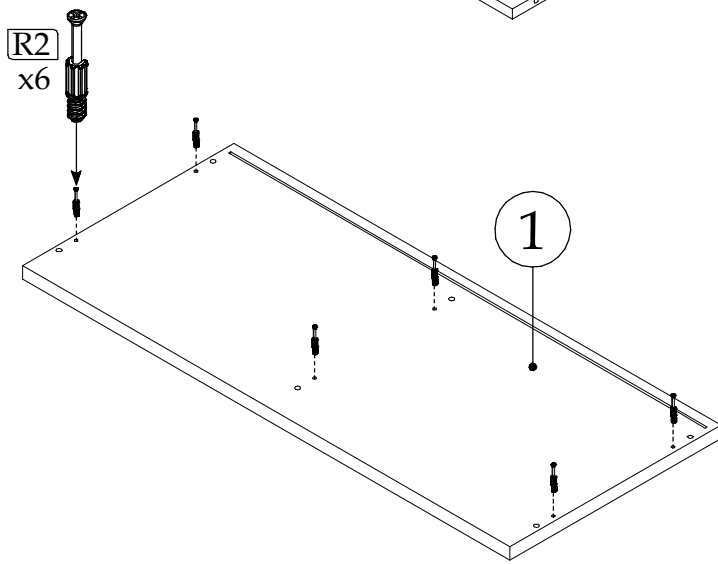
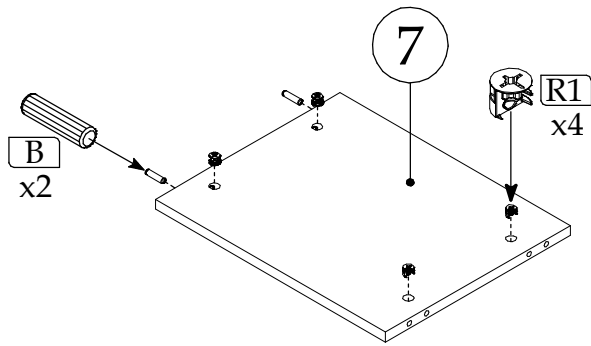


Element symbol	Measurements				Code	Paket
	1	2	3	4		
1	911	395	22	1	1002	1/2
2	1387	373	16	1	1001	2/2
3	1387	373	16	1	1007	2/2
4	877	353	16	1	1008	1/2
5	877	70	16	1	1011	2/2
6	1301	352.5	16	1	1027	2/2
7	430.5	345	16	2	1014	1/2
8	430	345	16	4		1/2
9	1324	445	3	1	1009_v	2/2
10	1324	445	3	1		2/2
11	1314	395	19	1		2/2
12	1387	65	19	1		2/2
13	1387	65	19	1		2/2

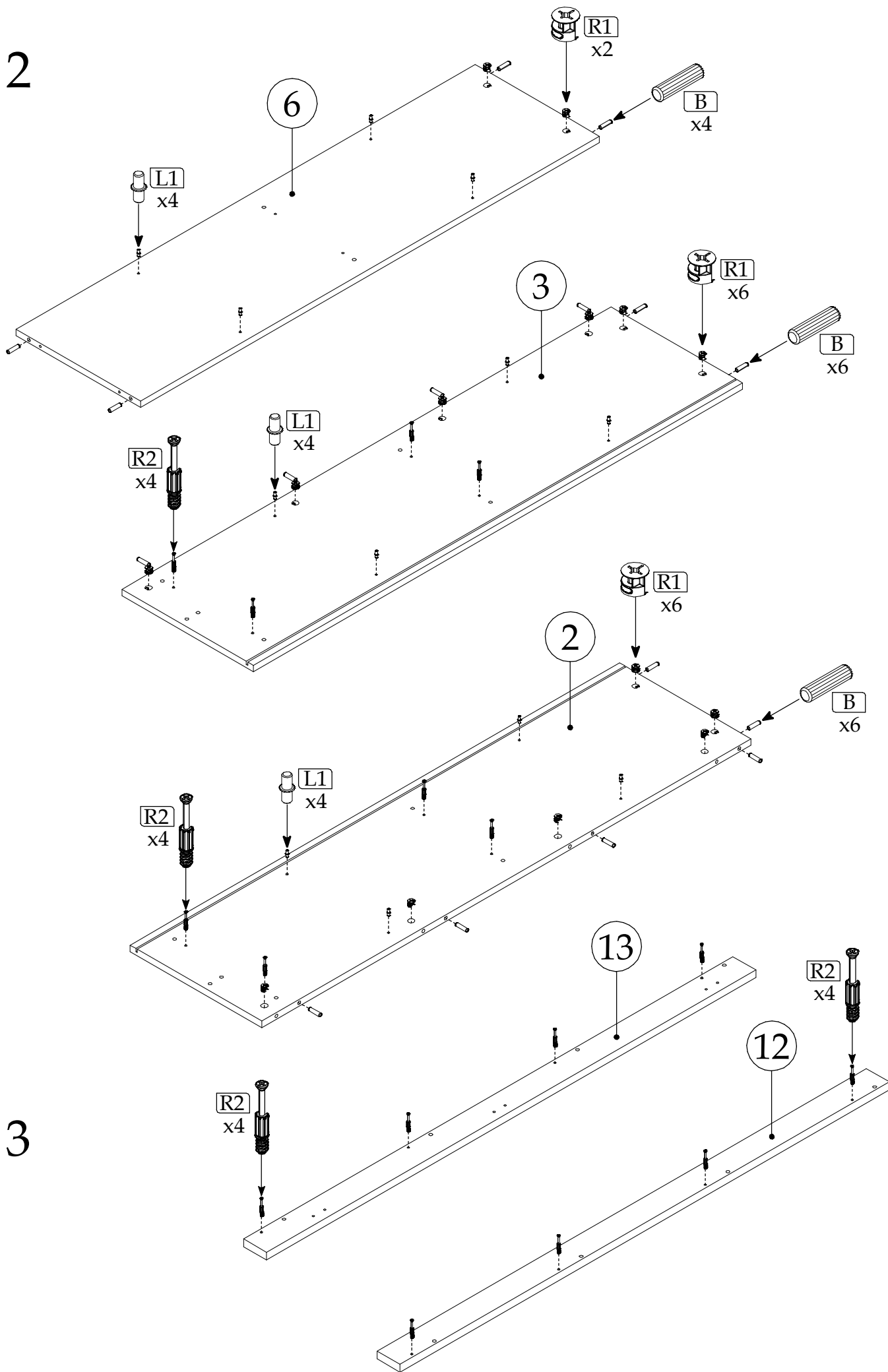




► 1

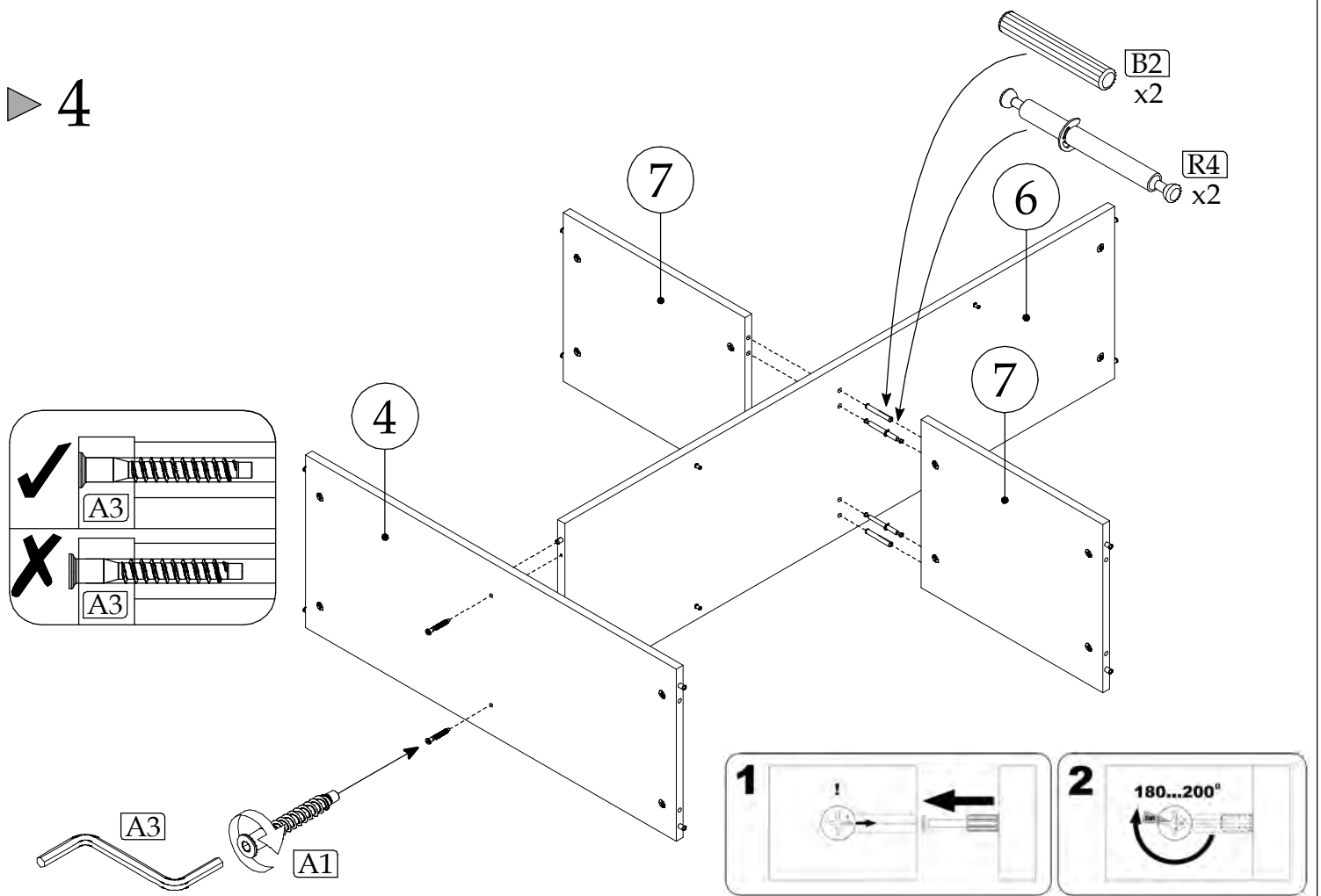


▶ 2

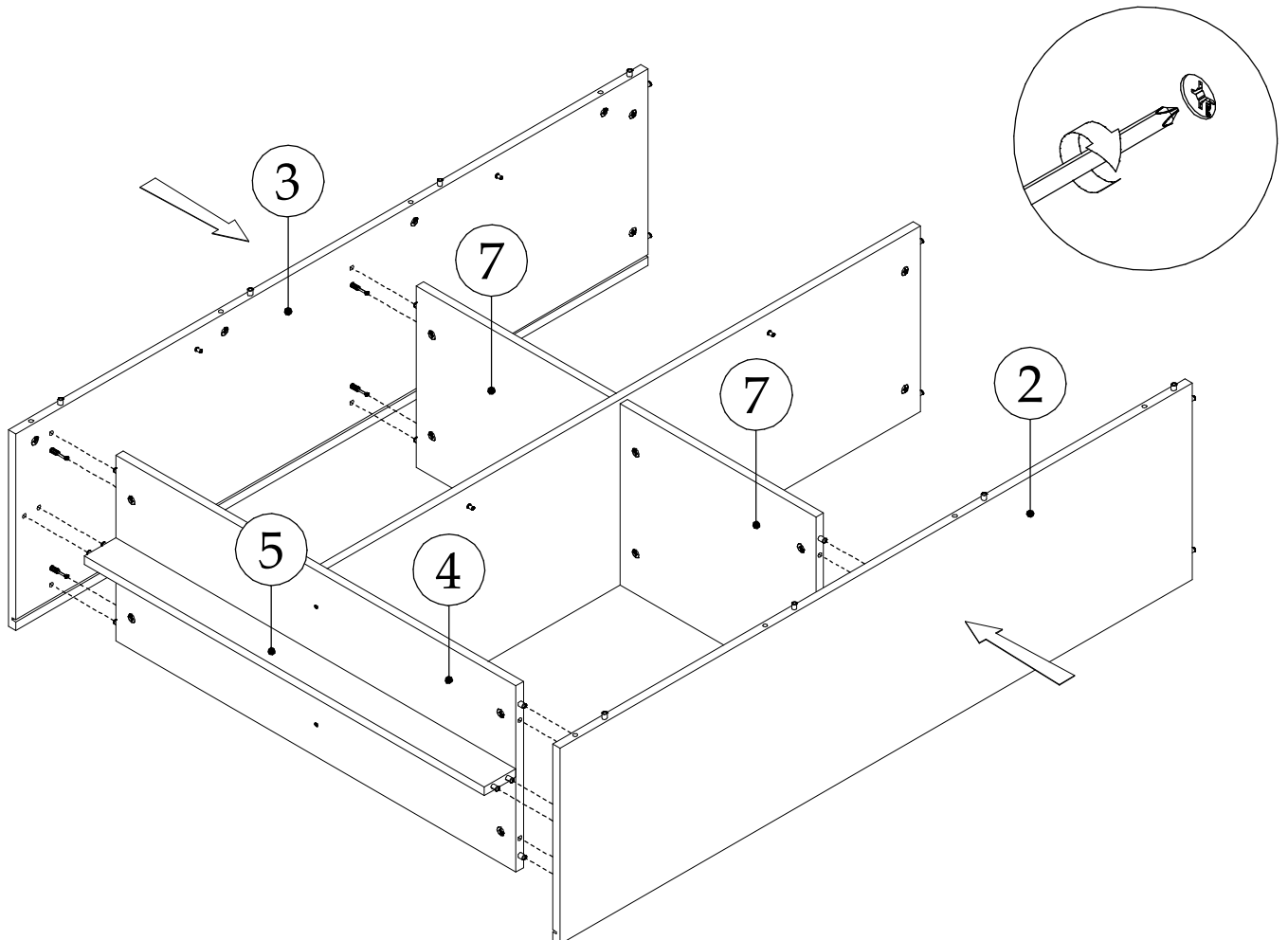


▶ 3

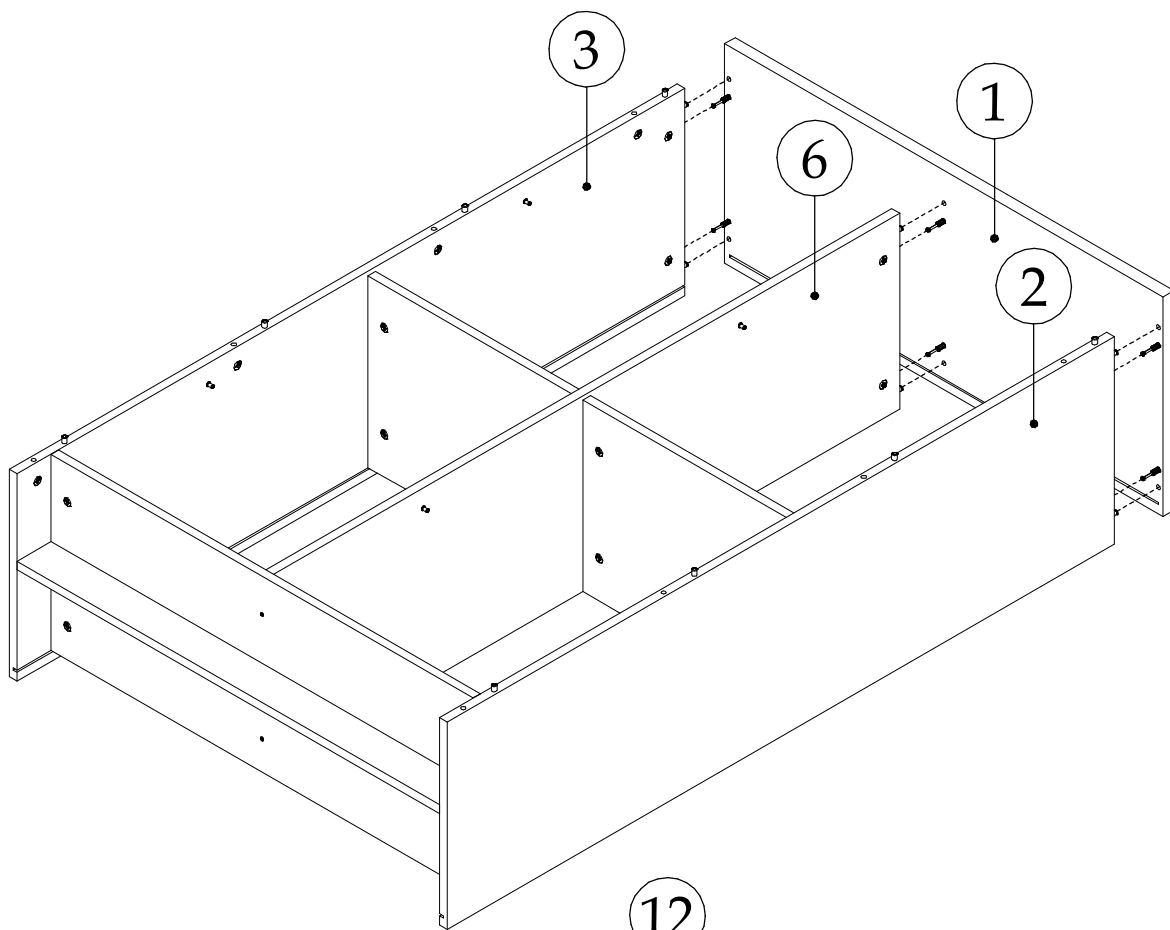
► 4



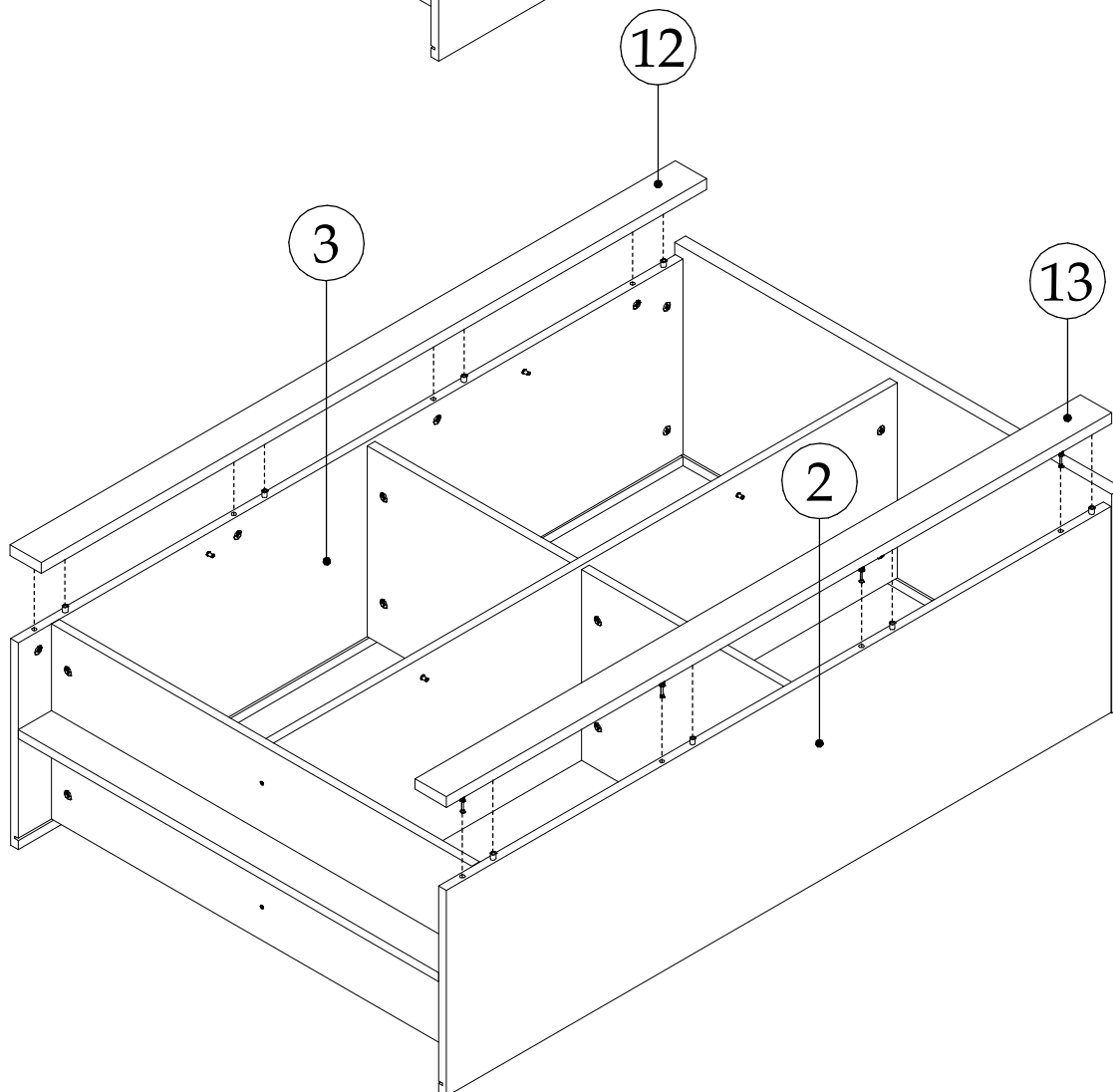
► 5



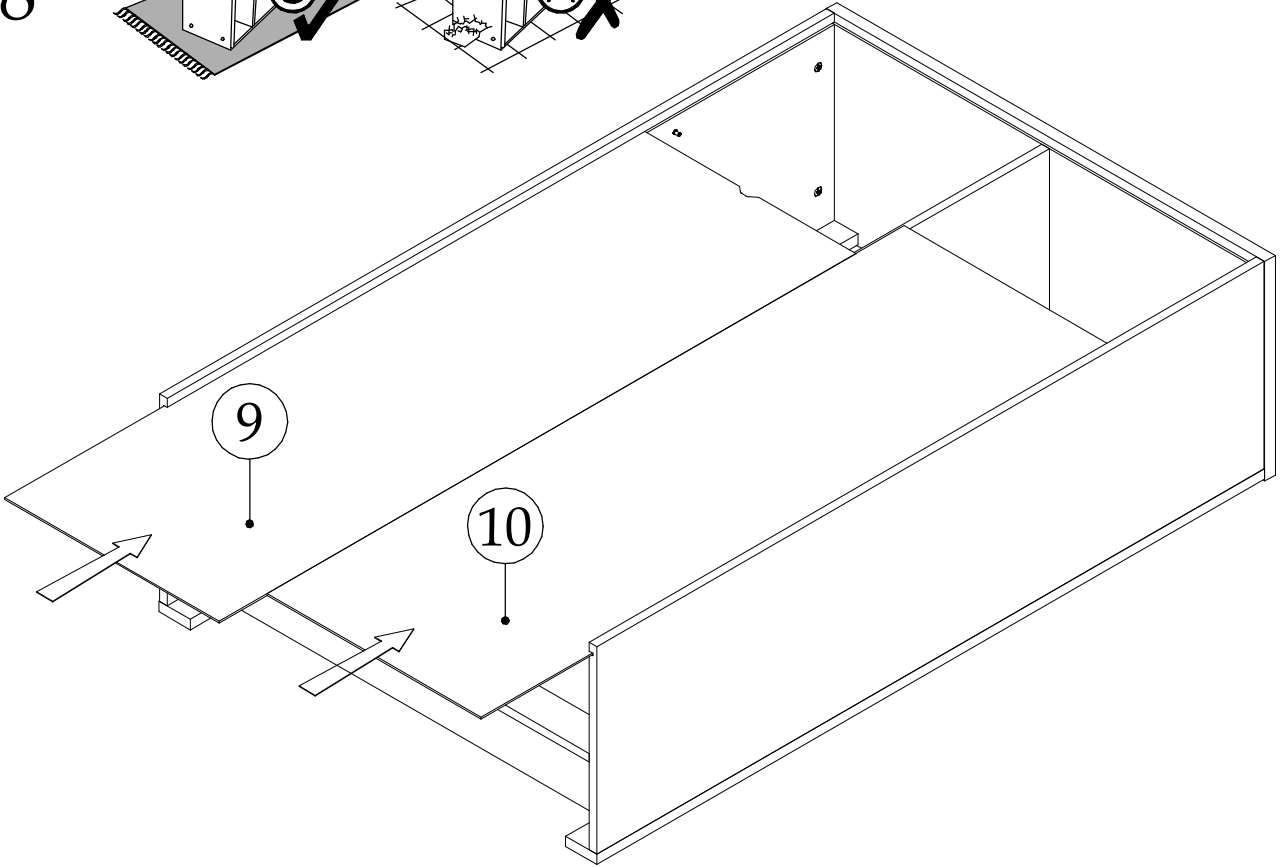
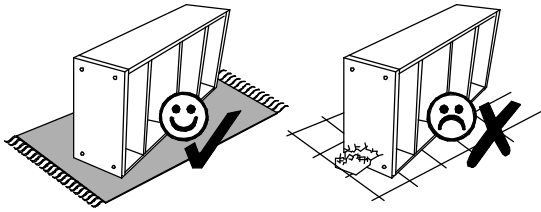
▶ 6



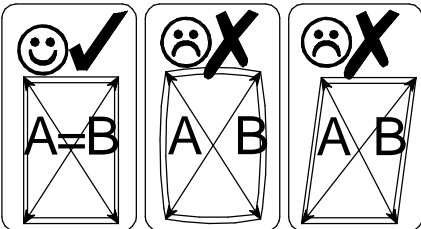
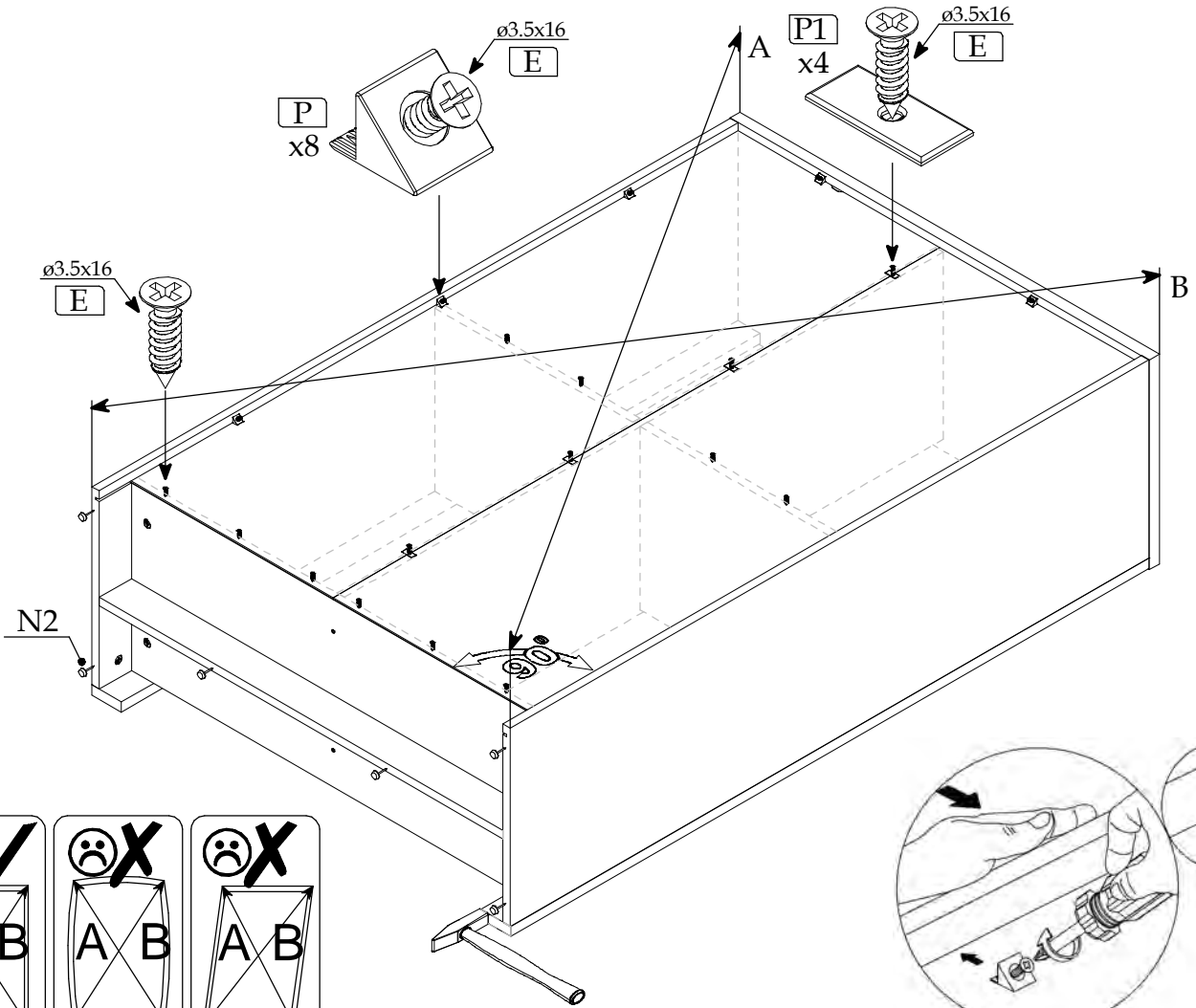
▶ 7



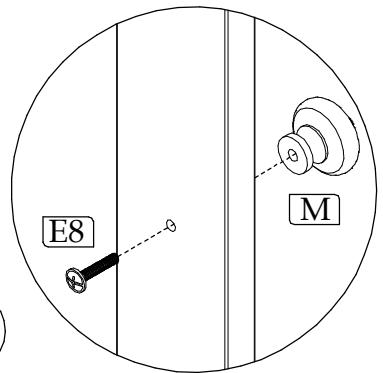
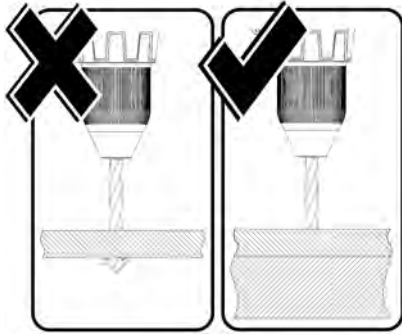
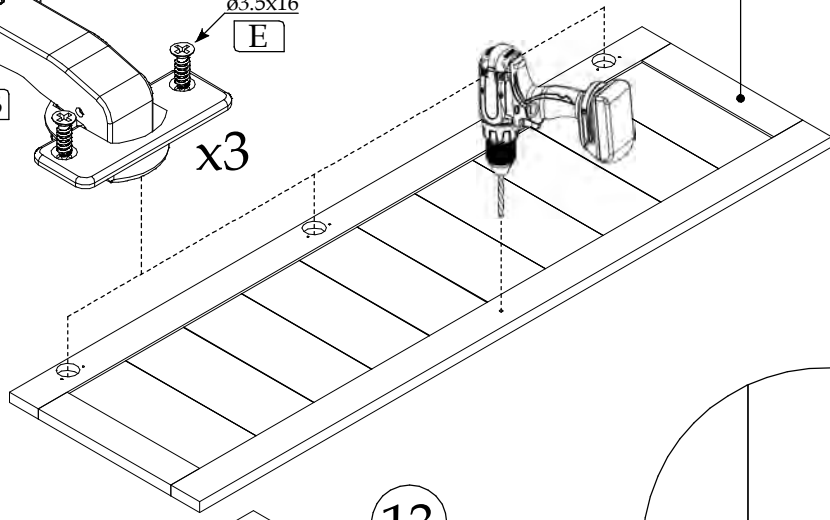
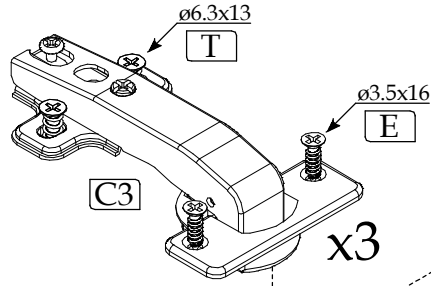
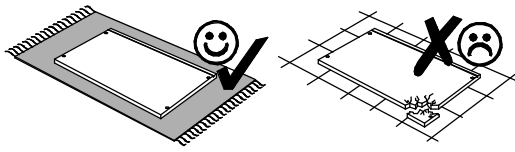
8



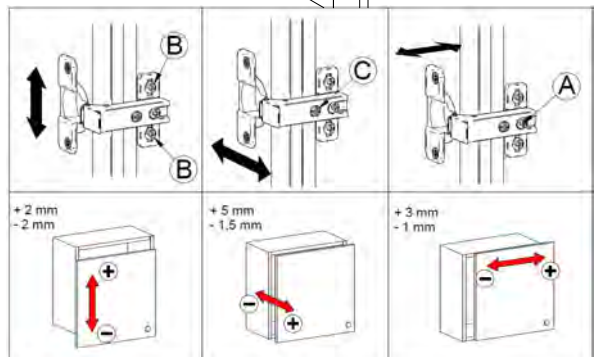
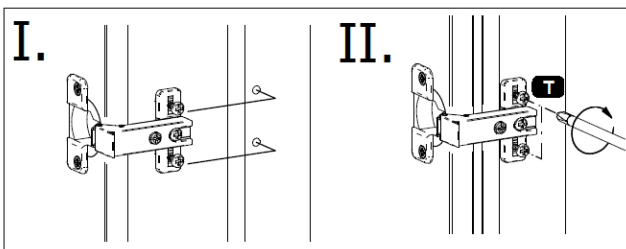
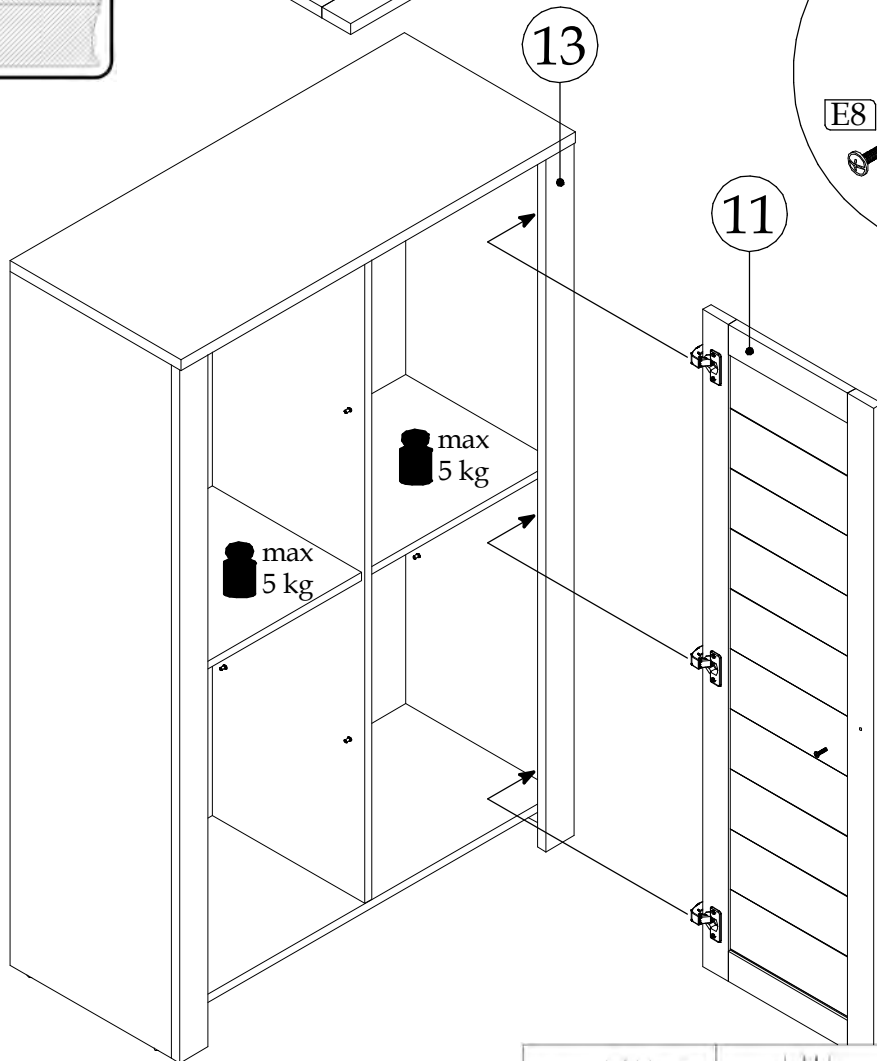
9

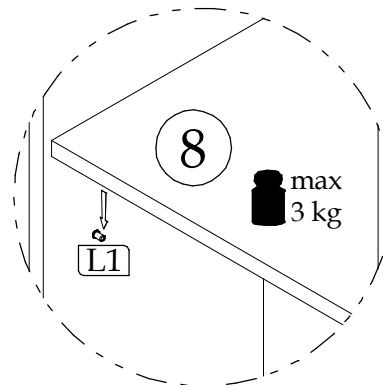
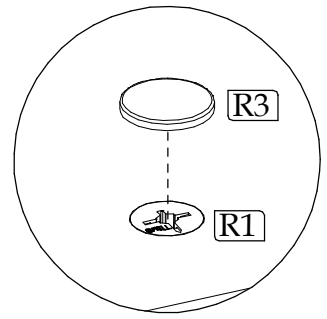
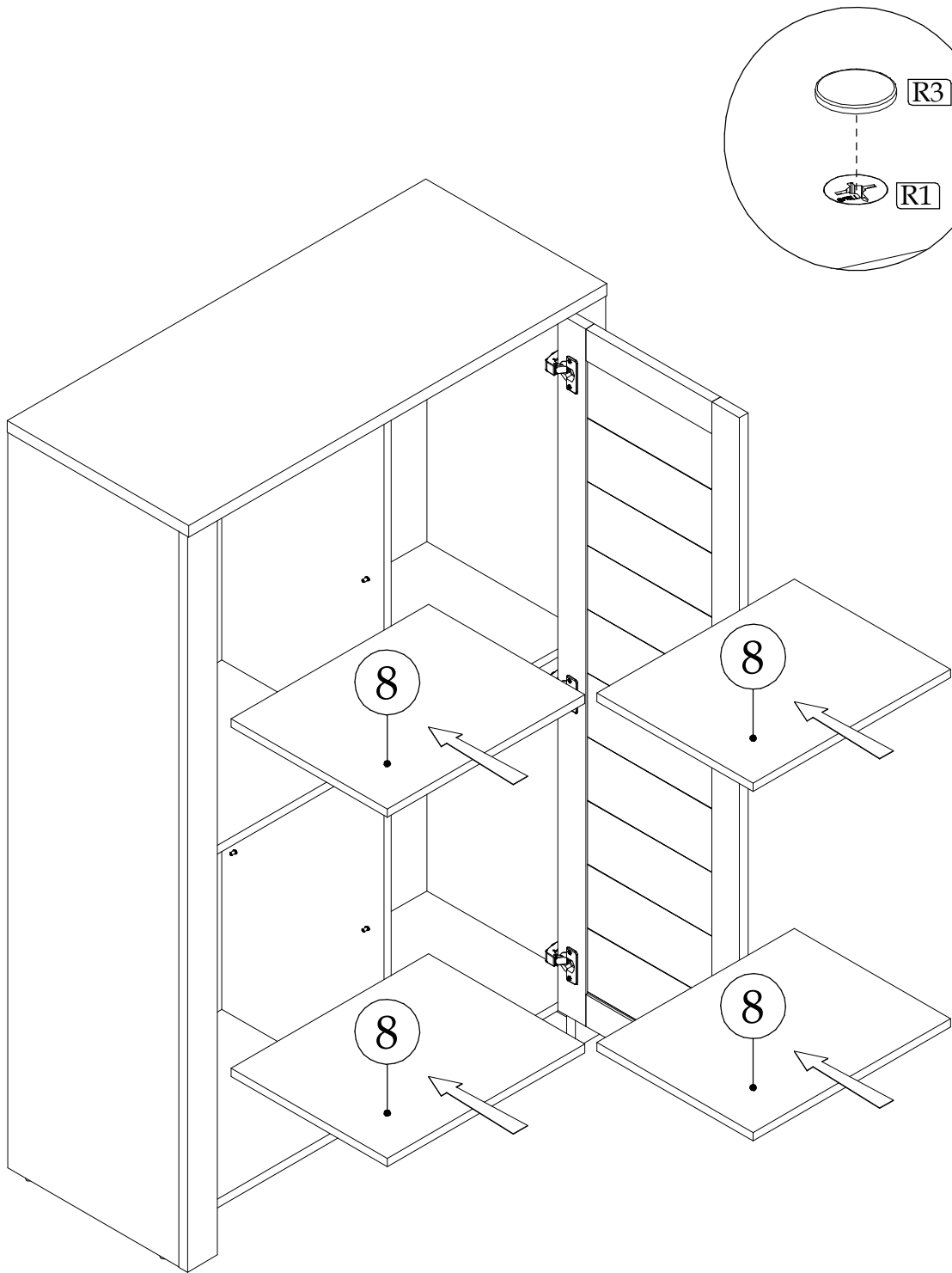


► 10



► 11





▶ 13

