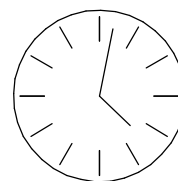
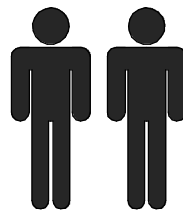
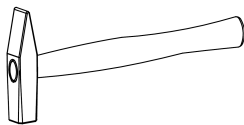
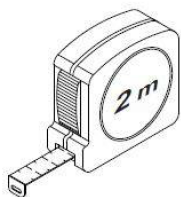
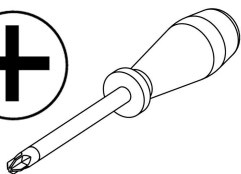
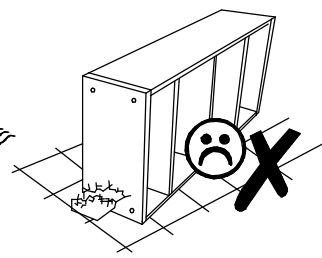
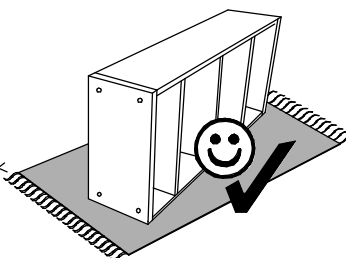
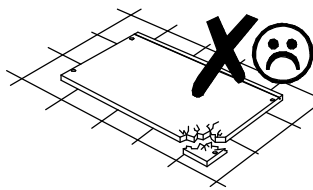
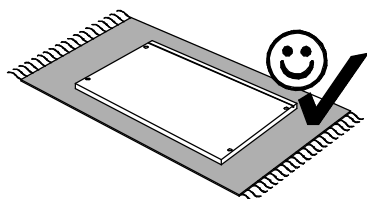
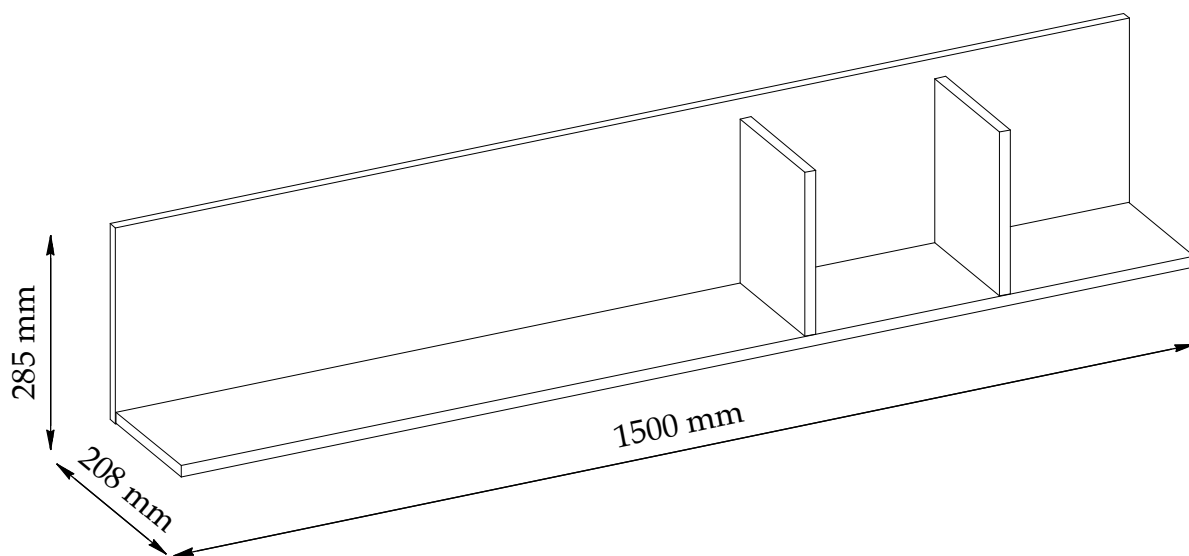


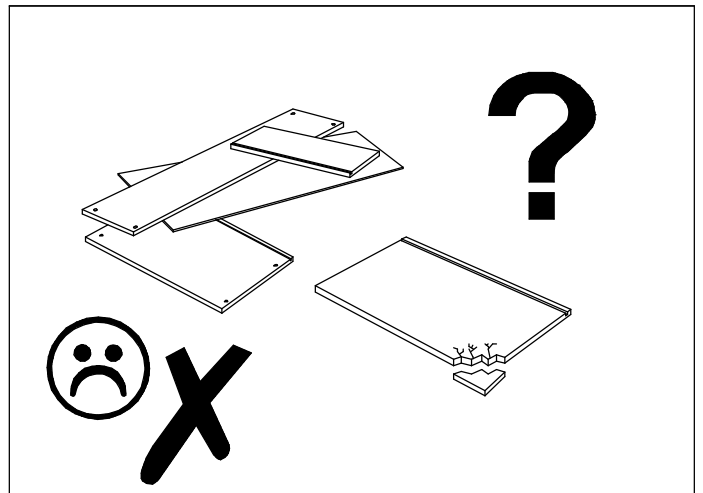
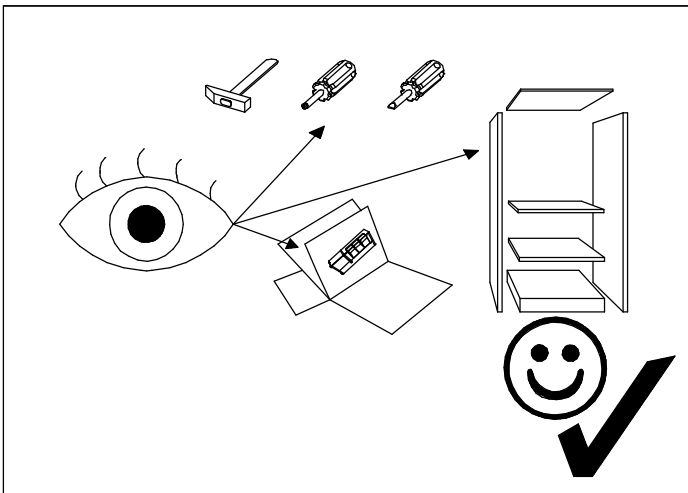
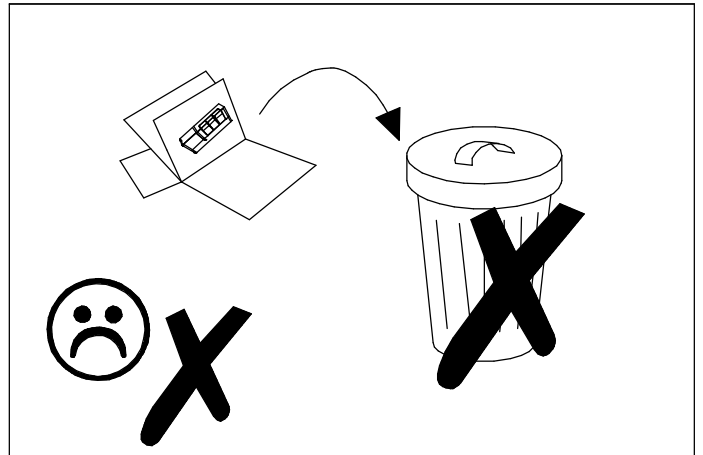
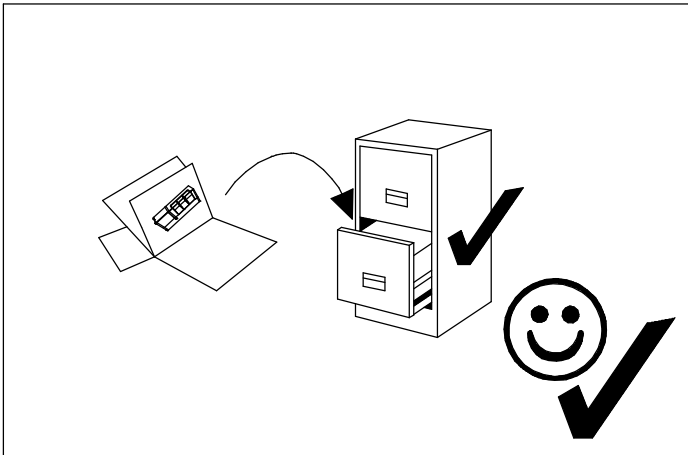
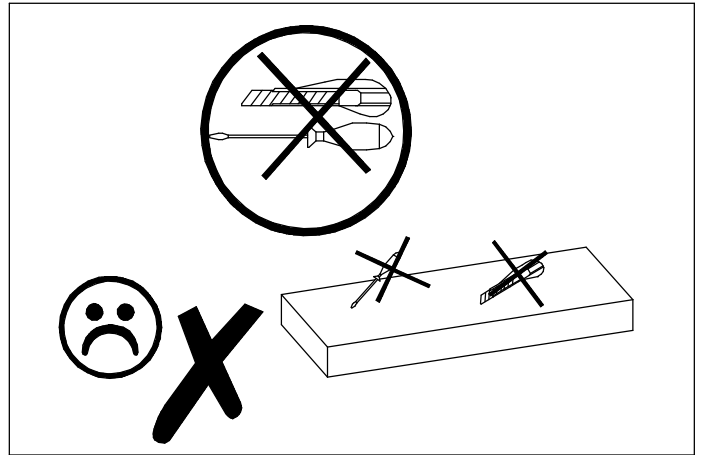
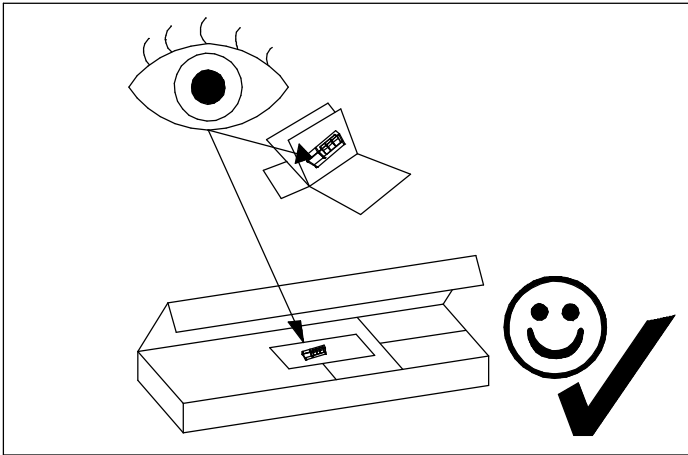
# SEVILLA D

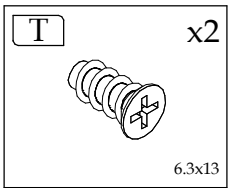
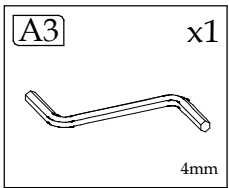
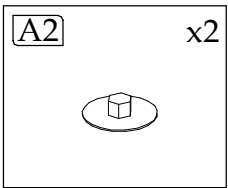
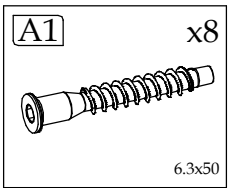


20 min

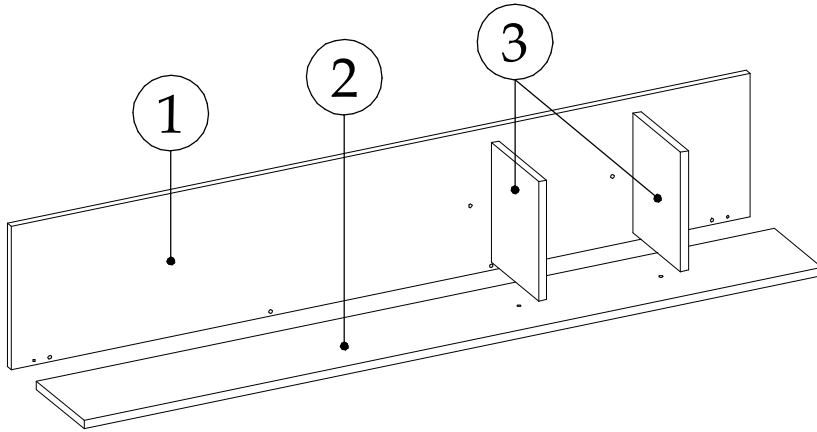
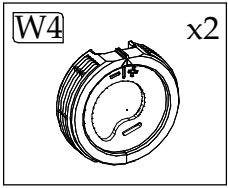
INDEKS 3372528



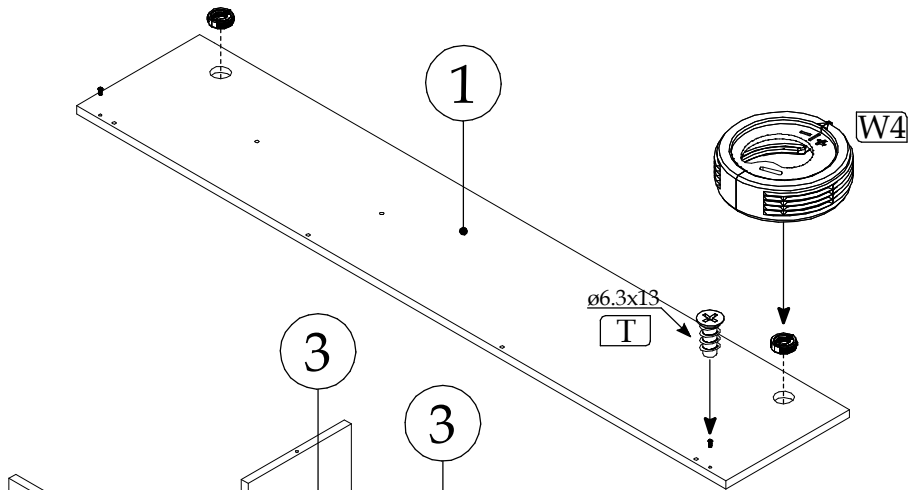




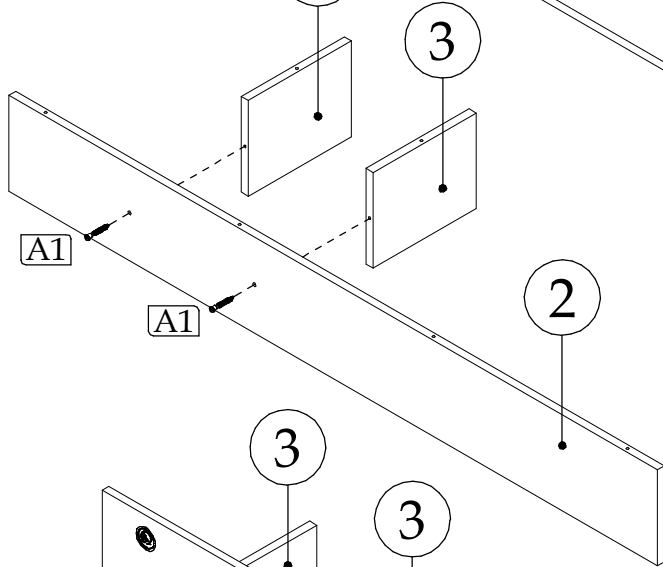
Element symbol	Measurements				Code	Paket
	1	2	16	1		
1	1500	285	16	1	1005	1/1
2	1498	192	16	1	1003	1/1
3	238	191.5	16	2	1007	1/1



▶ 1



▶ 2



▶ 3

