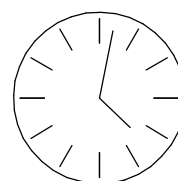
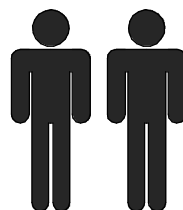
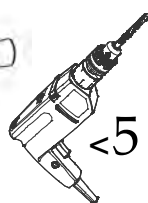
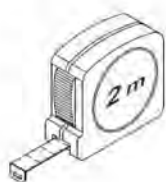
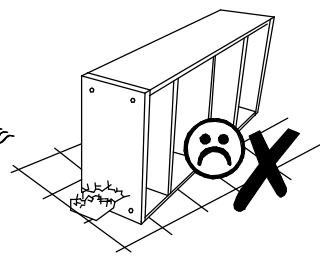
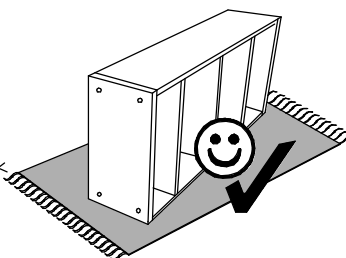
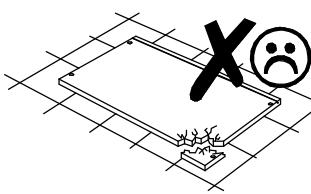
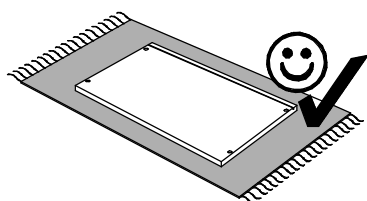
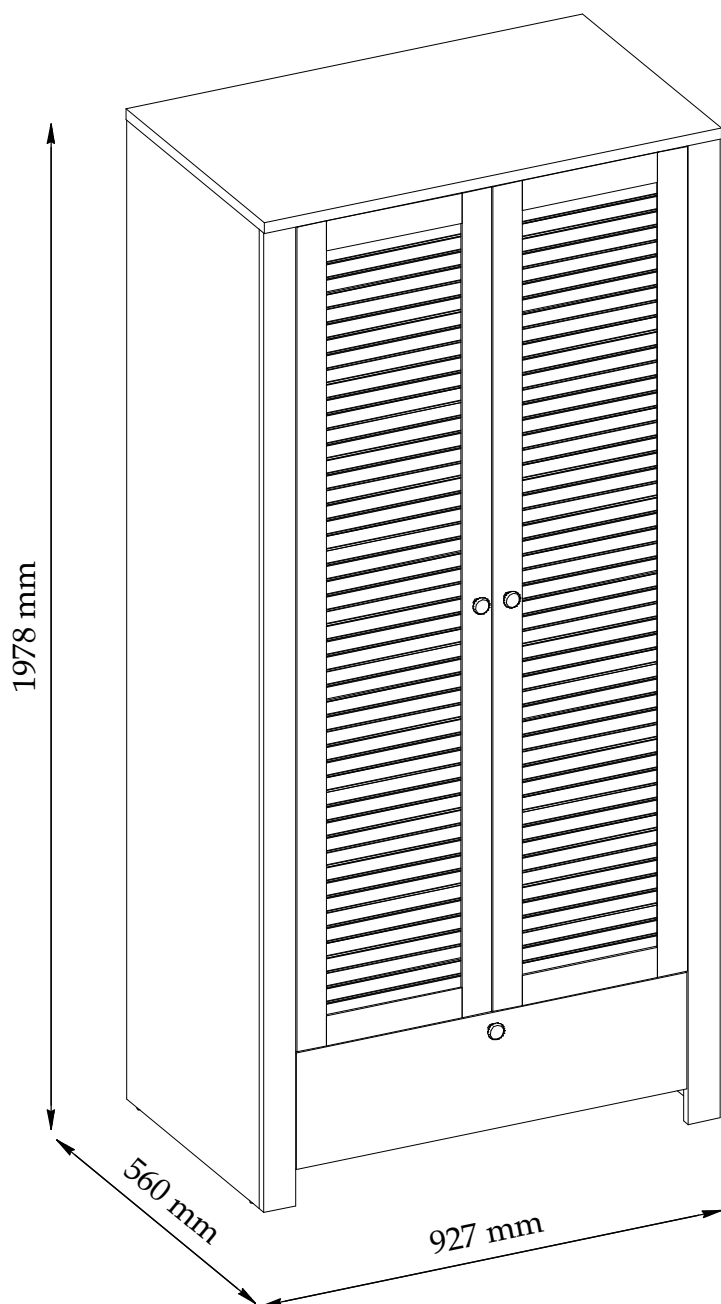


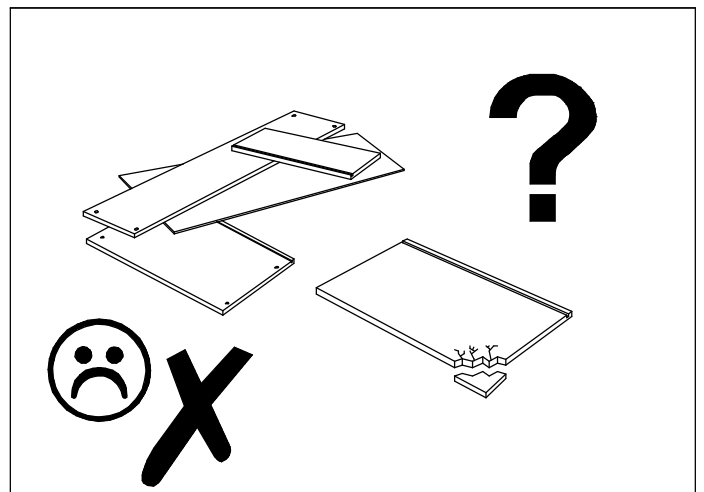
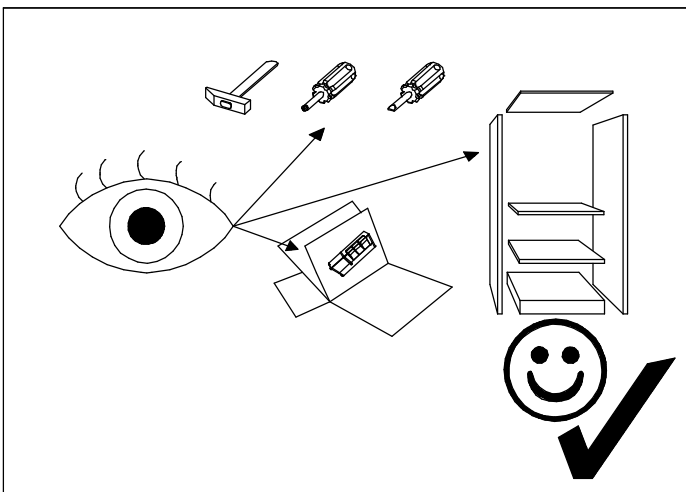
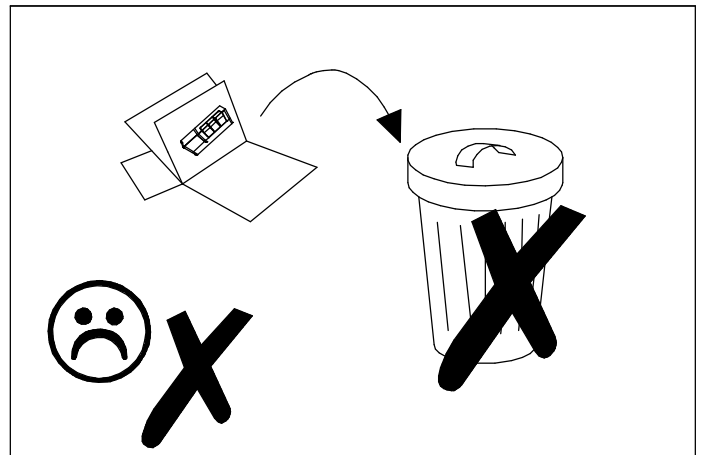
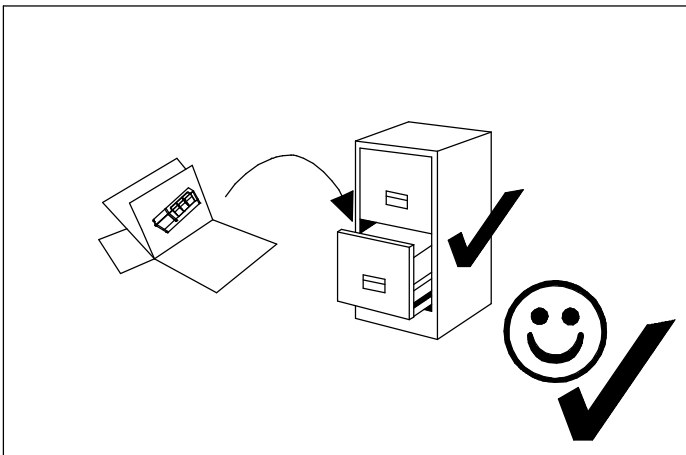
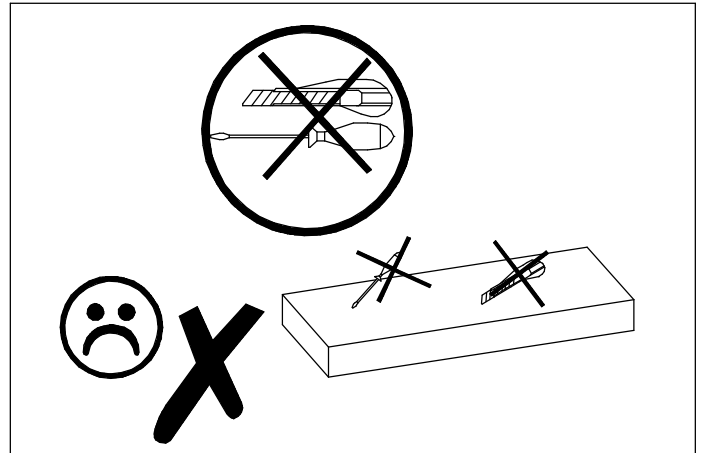
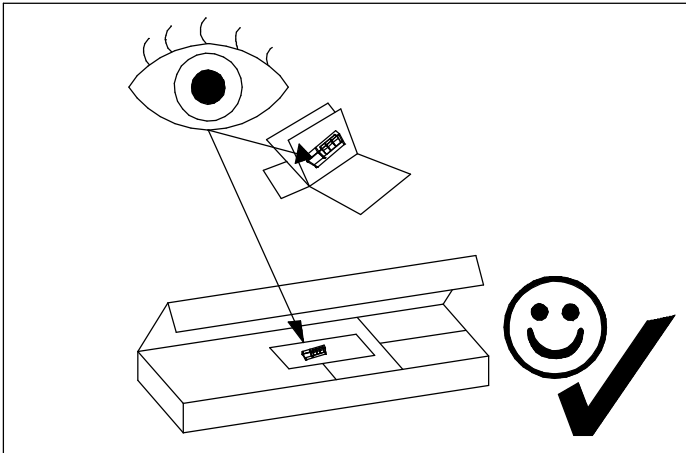
SEVILLA F

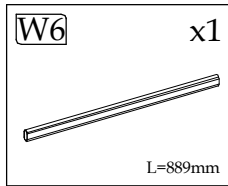
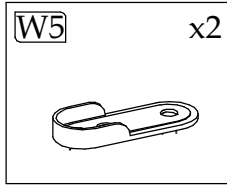
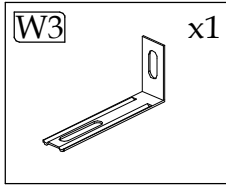
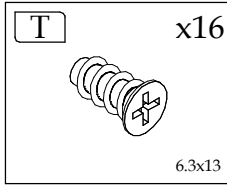
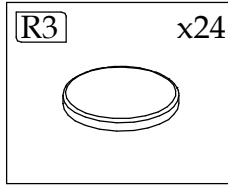
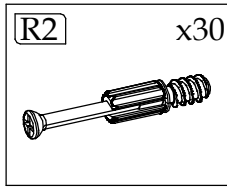
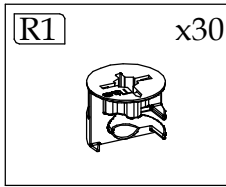
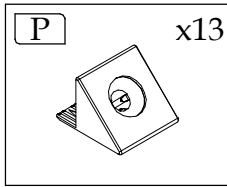
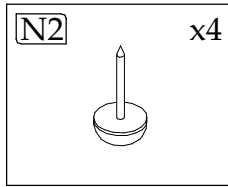
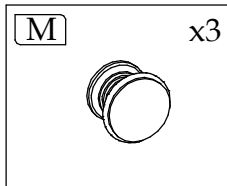
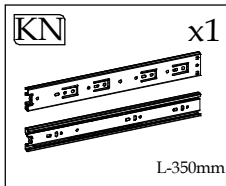
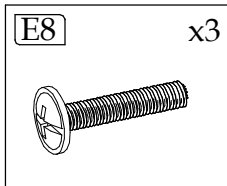
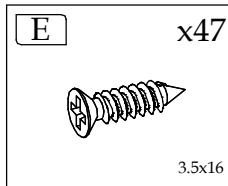
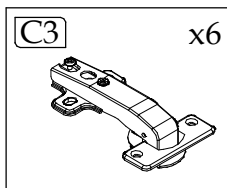
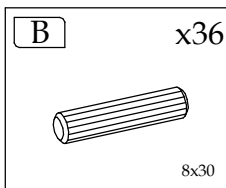
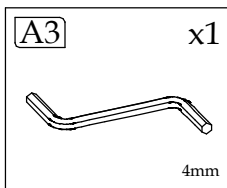
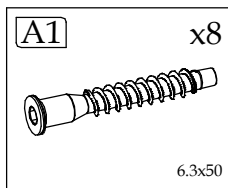


100 min

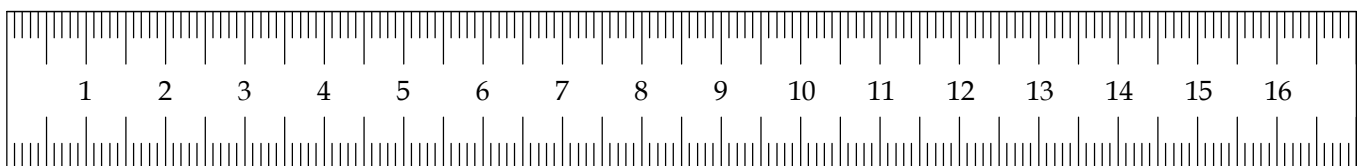
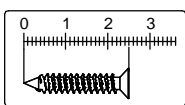
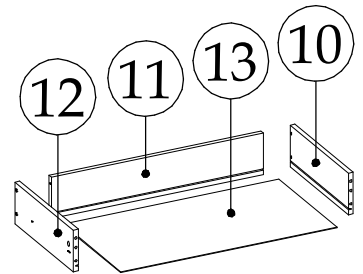
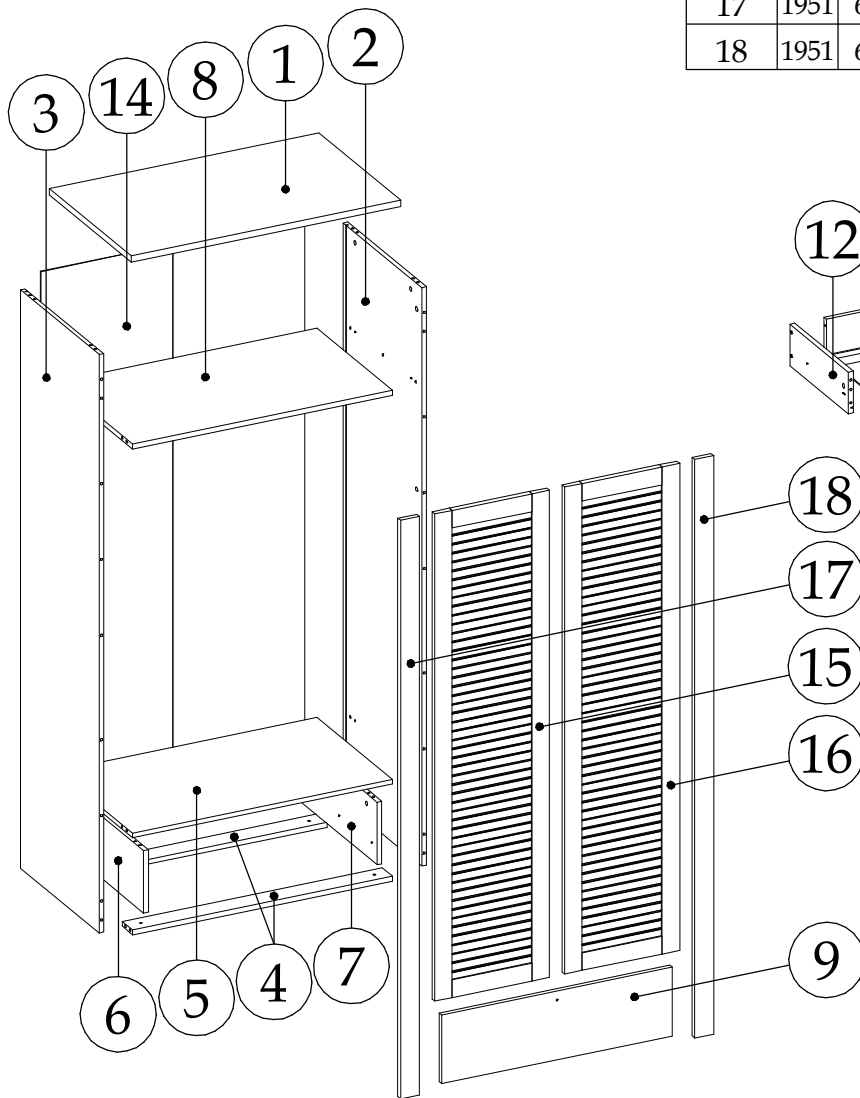
INDEKS 3372531

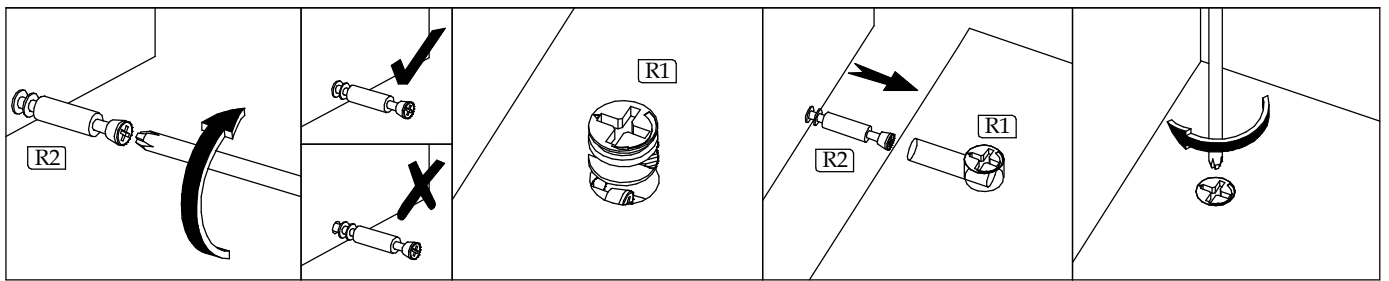




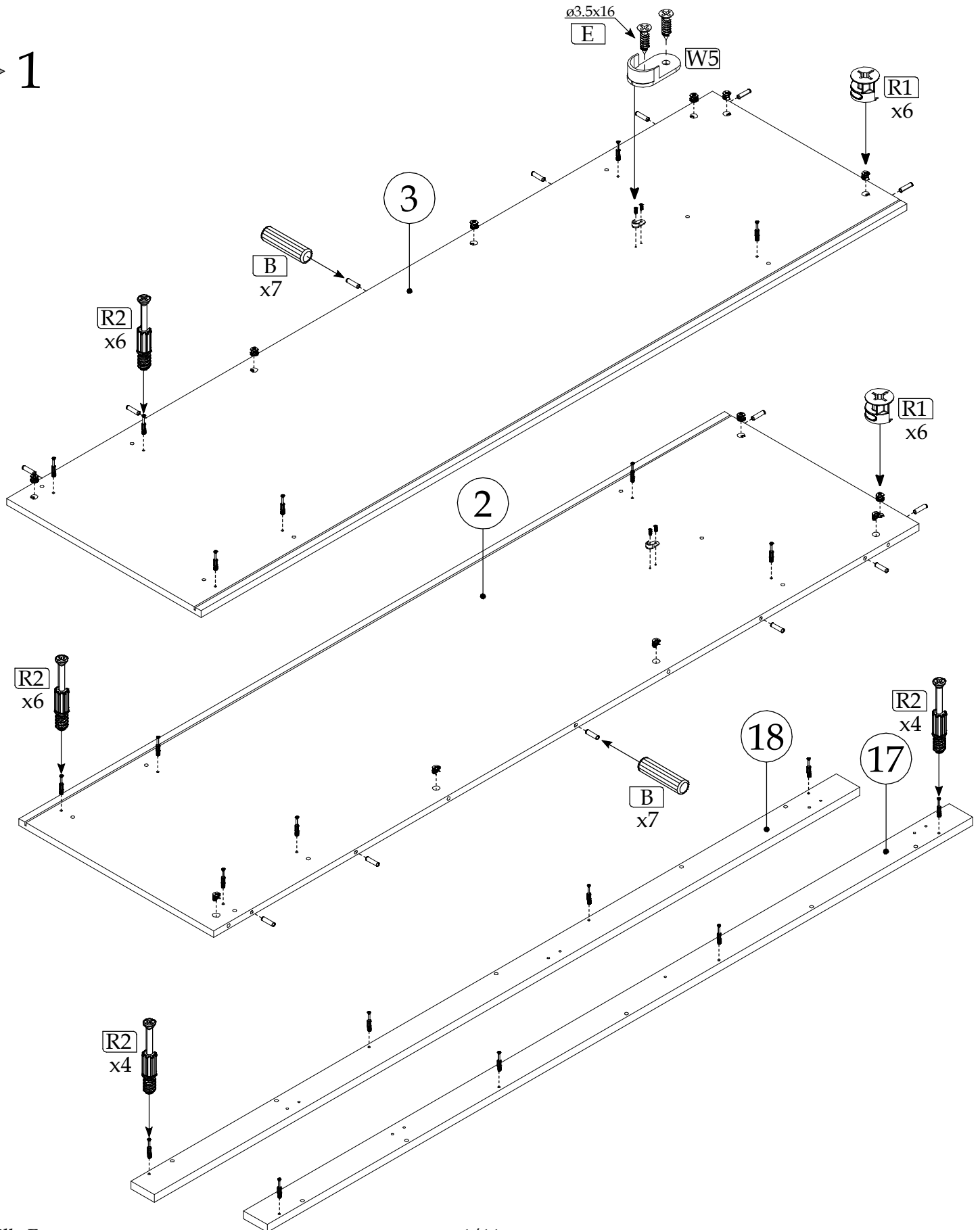


Element symbol	Measurements				Code	Paket
1	927	560	22	1	1002	1/2
2	1951	538	16	1	1001	2/2
3	1951	538	16	1	1007	2/2
4	893	70	16	2	1008	1/2
5	893	517,5	16	1	1010	1/2
6	210,5	518	16	1	1029	1/2
7	210,5	518	16	1	1030	1/2
8	893	517,5	16	1	1024	1/2
9	792	232	16	1	1035	1/2
10	400	140	16	1	1032	1/2
11	729,5	140	16	1	1033	1/2
12	400	140	16	1	1034	1/2
13	743,5	396	3	1		1/2
14	1888	906	3	1		2/2
15	1643	395	19	1		2/2
16	1643	395	19	1		2/2
17	1951	65	19	1		2/2
18	1951	65	19	1		2/2

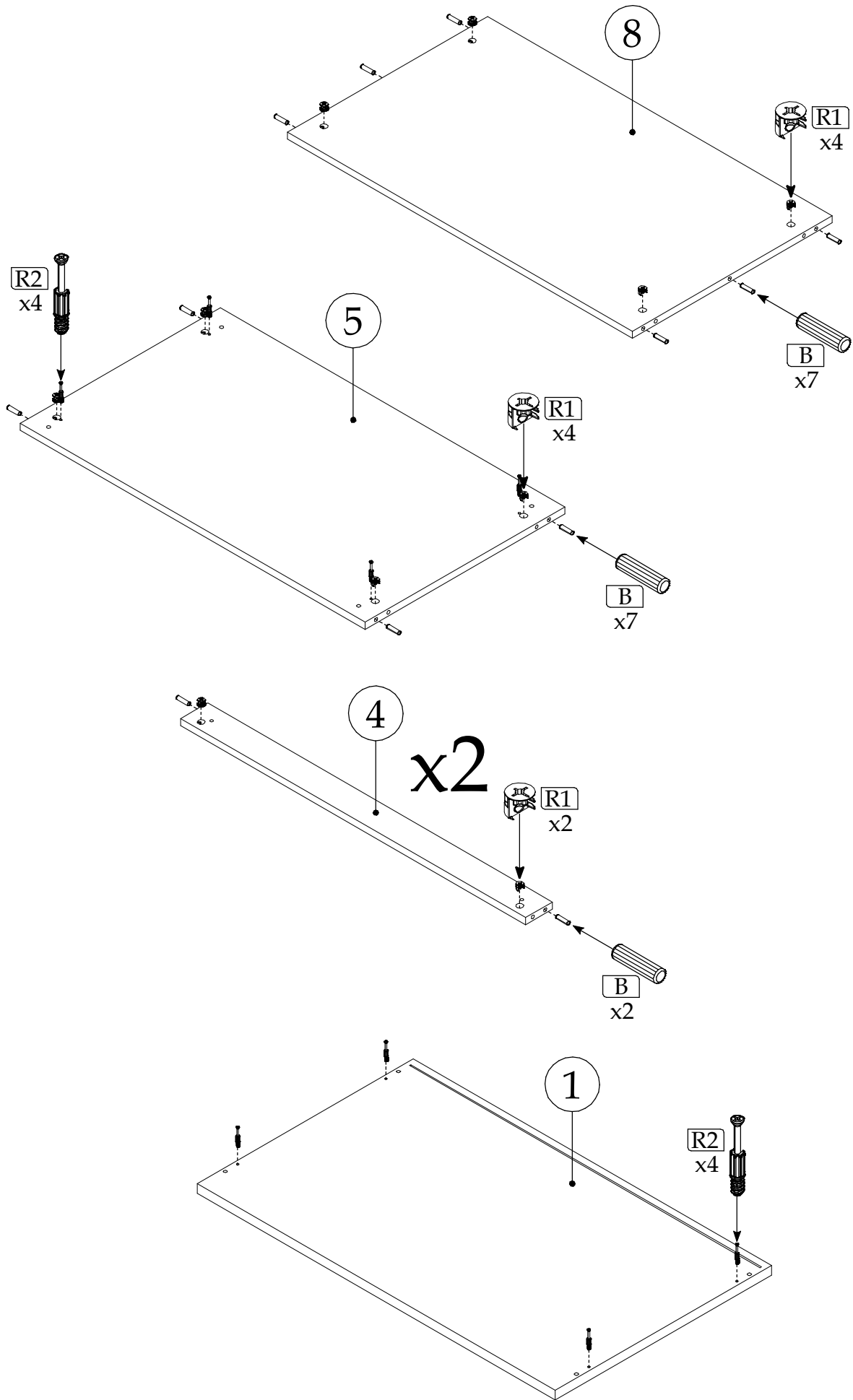




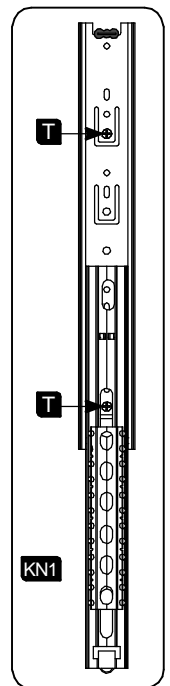
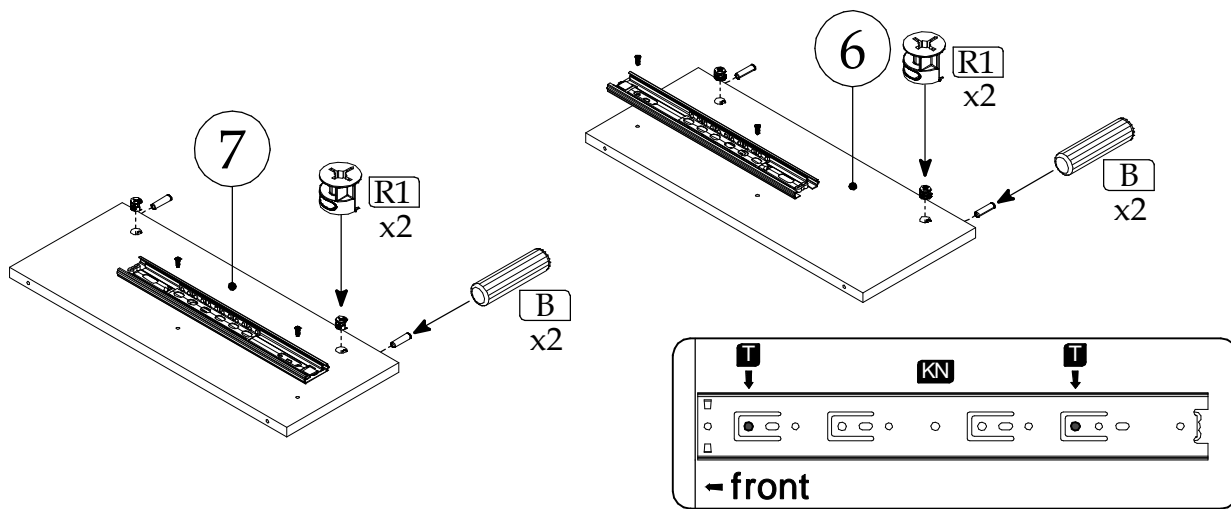
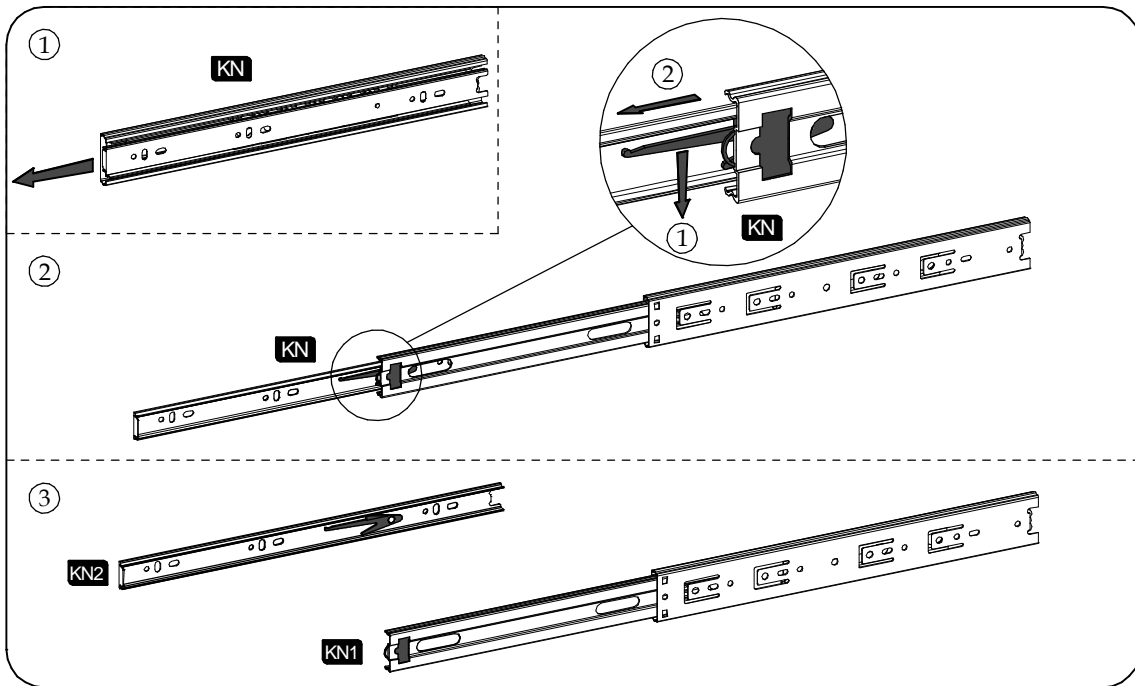
▶ 1



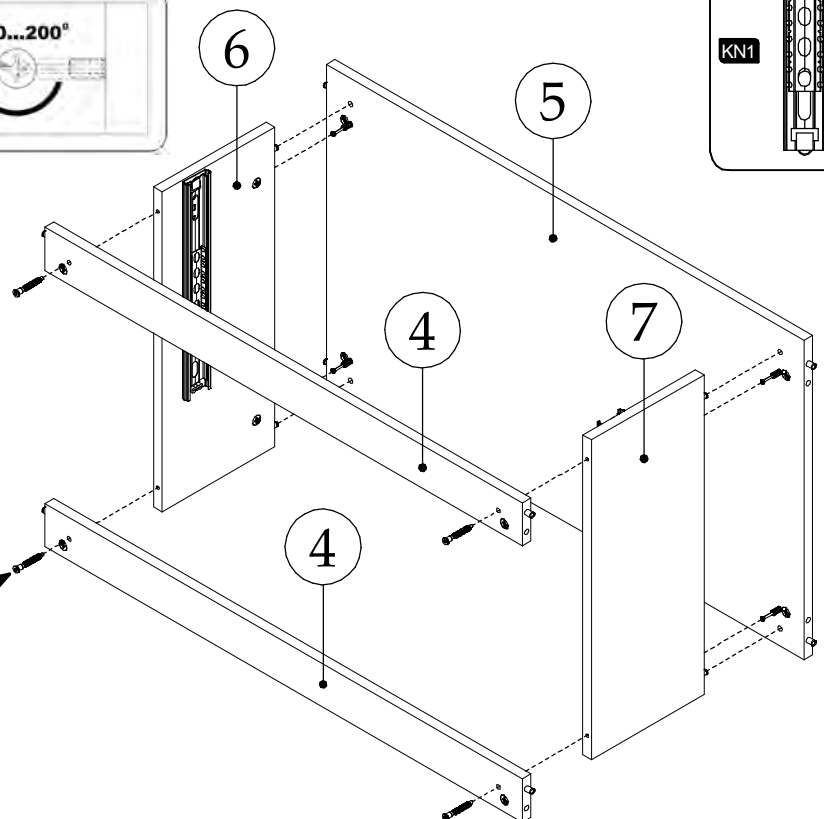
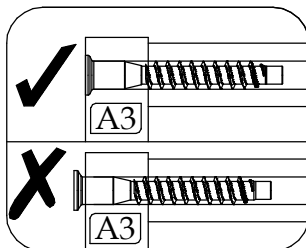
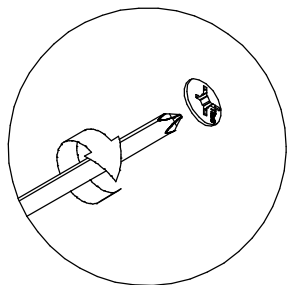
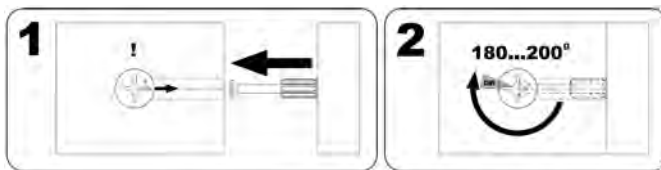
▶ 2



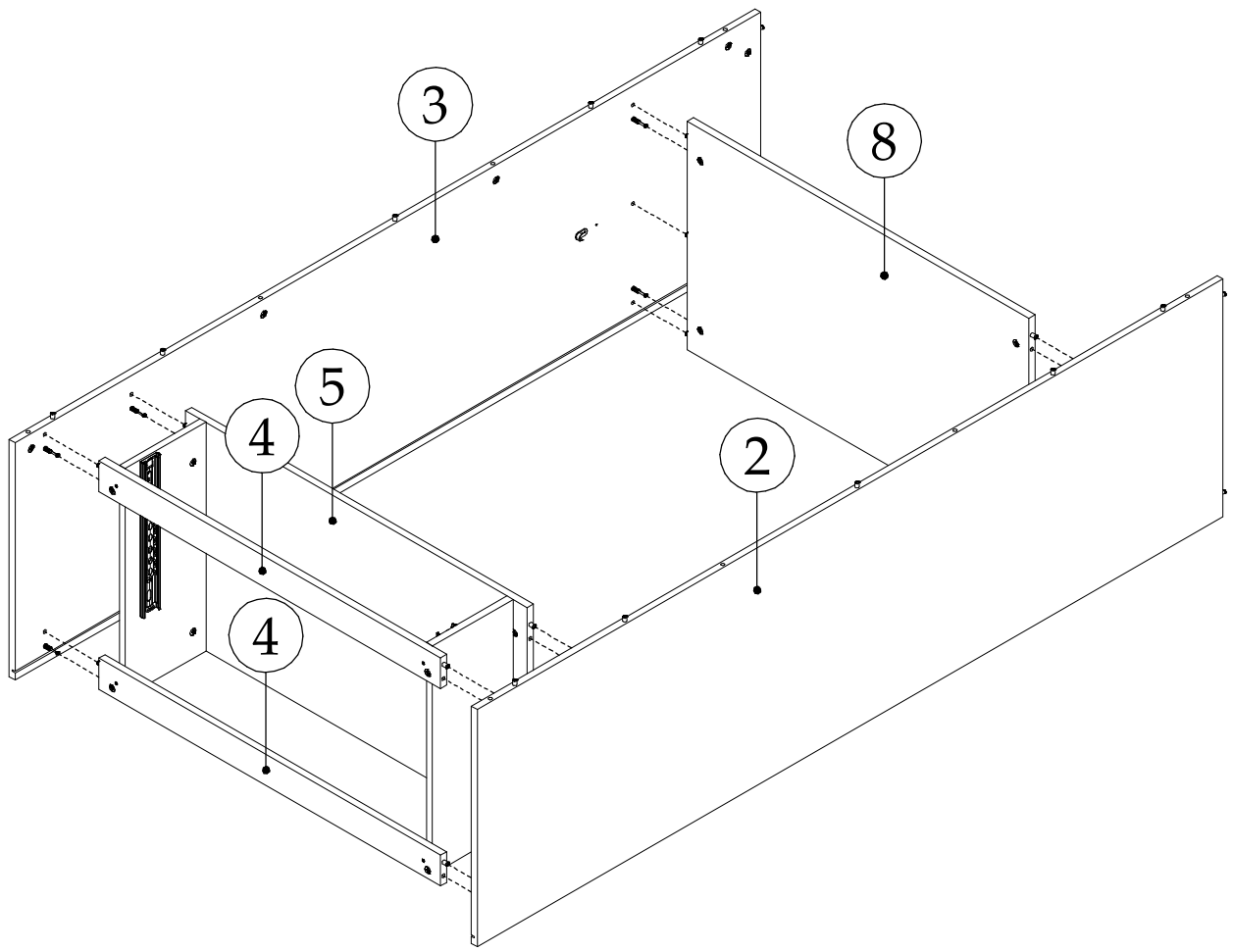
▶ 3



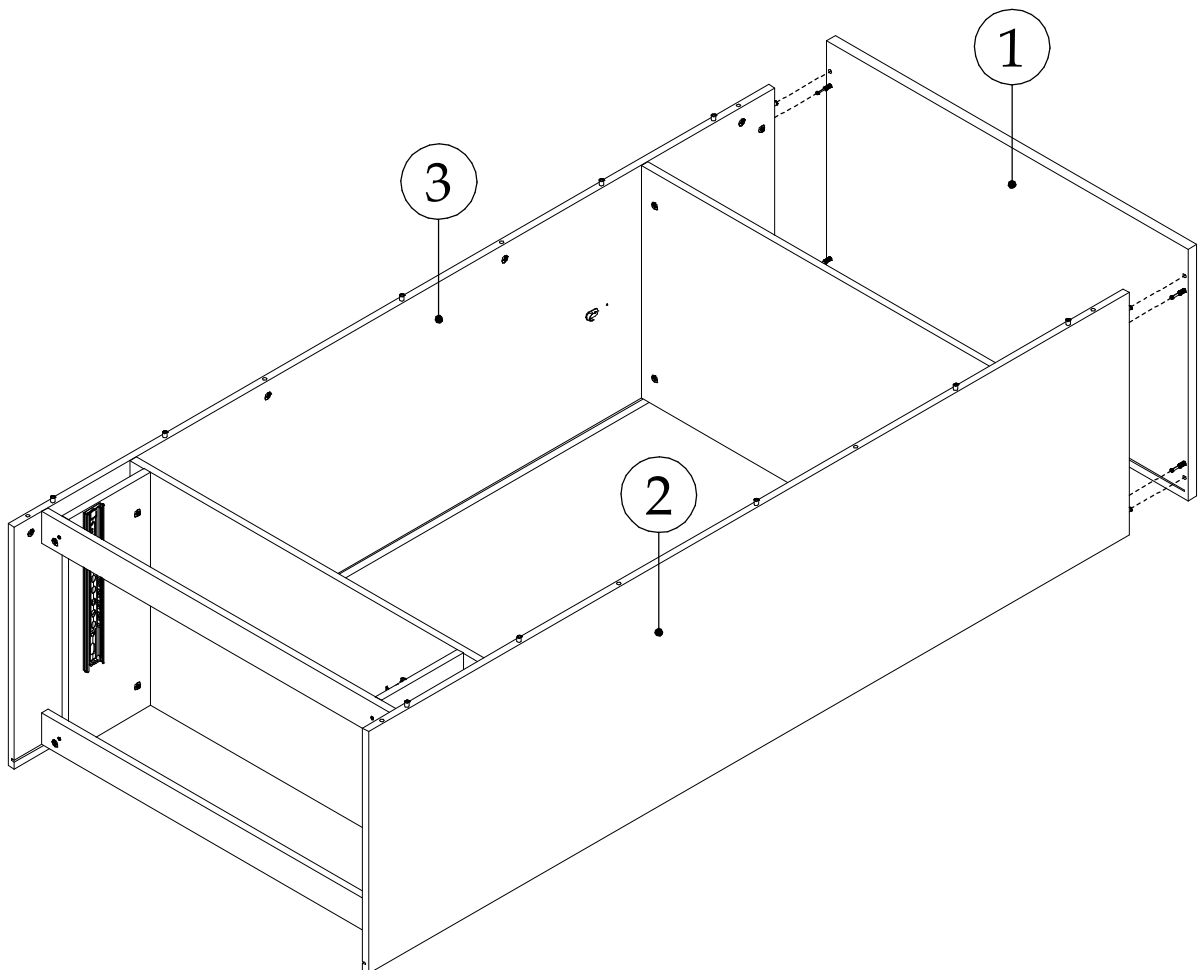
▶ 4



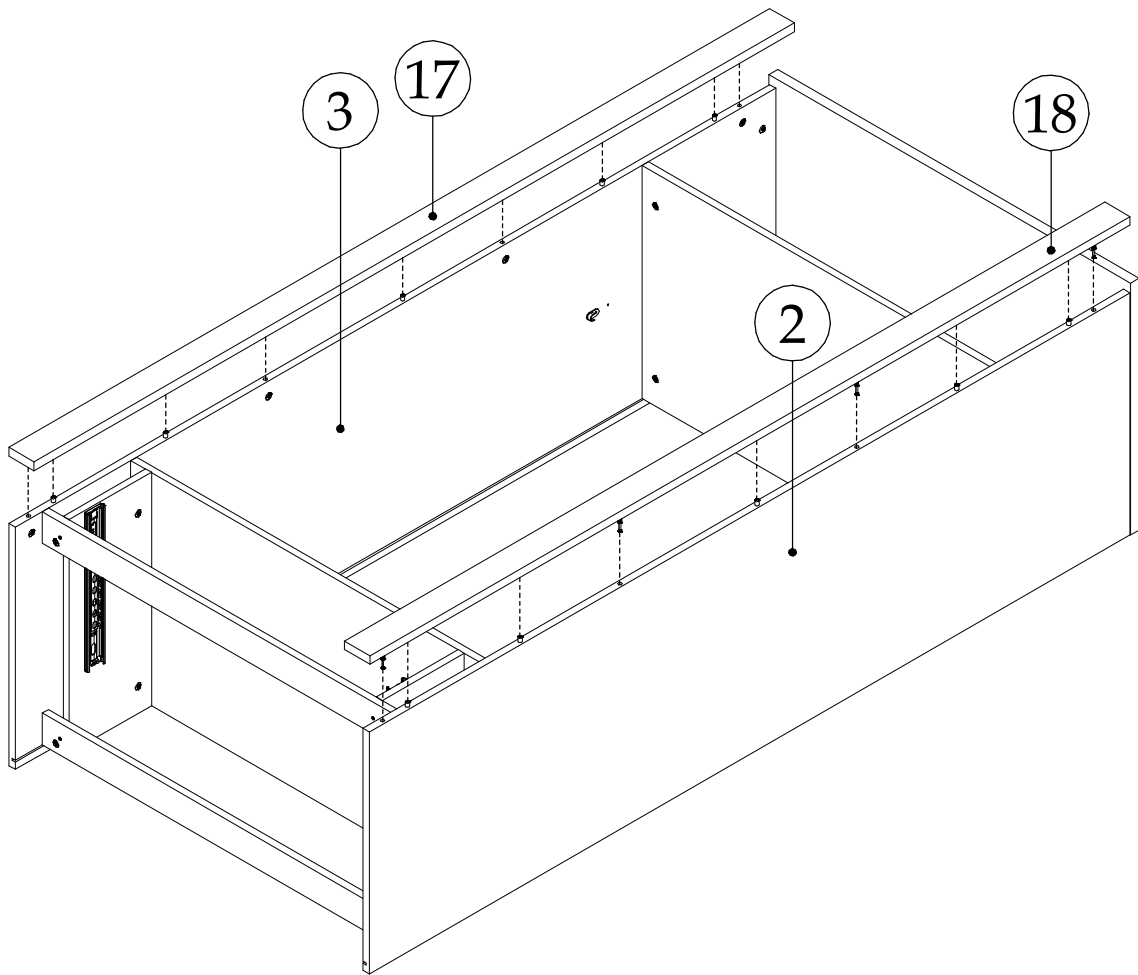
▶ 5



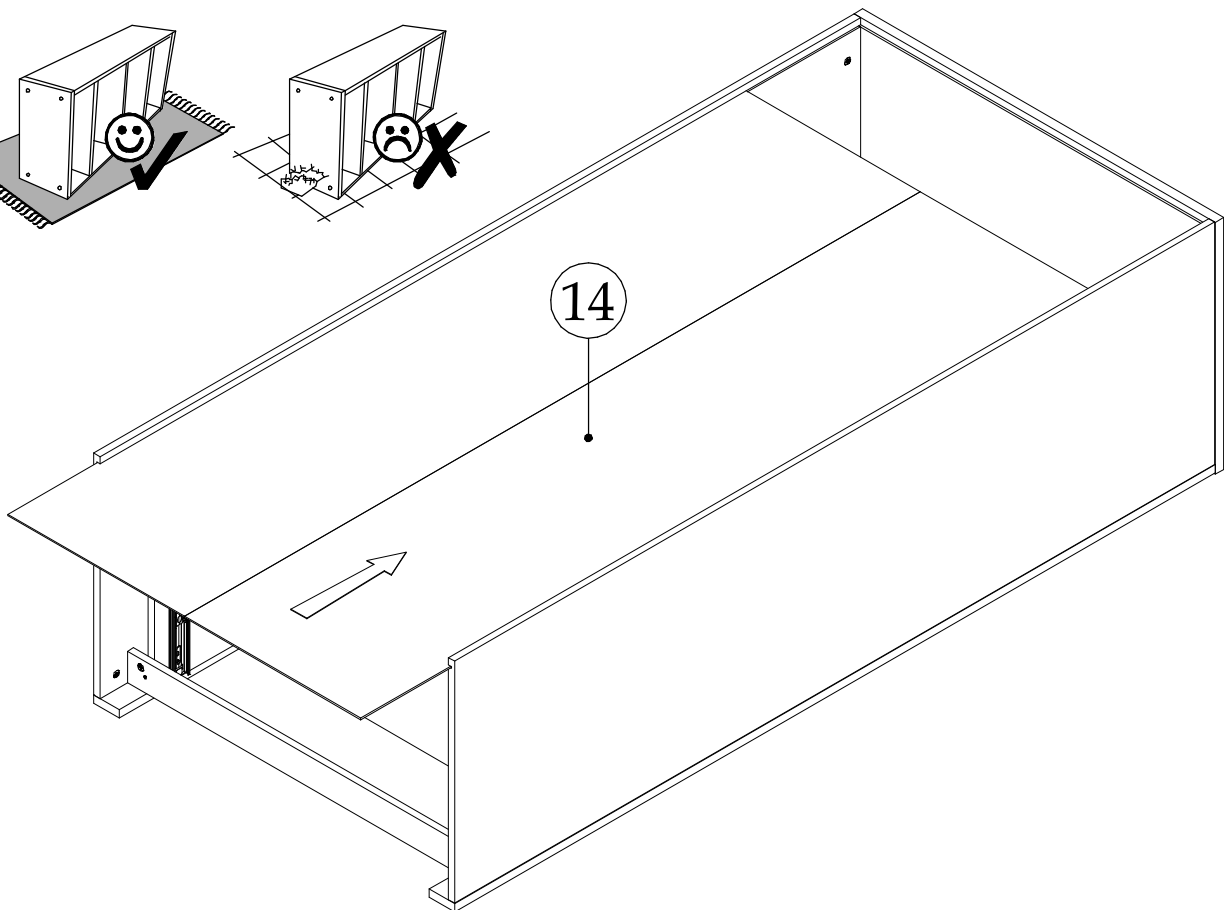
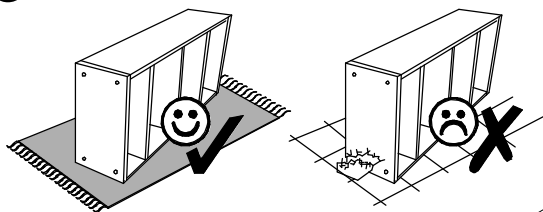
▶ 6



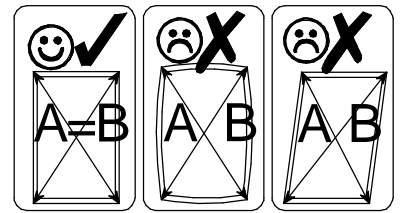
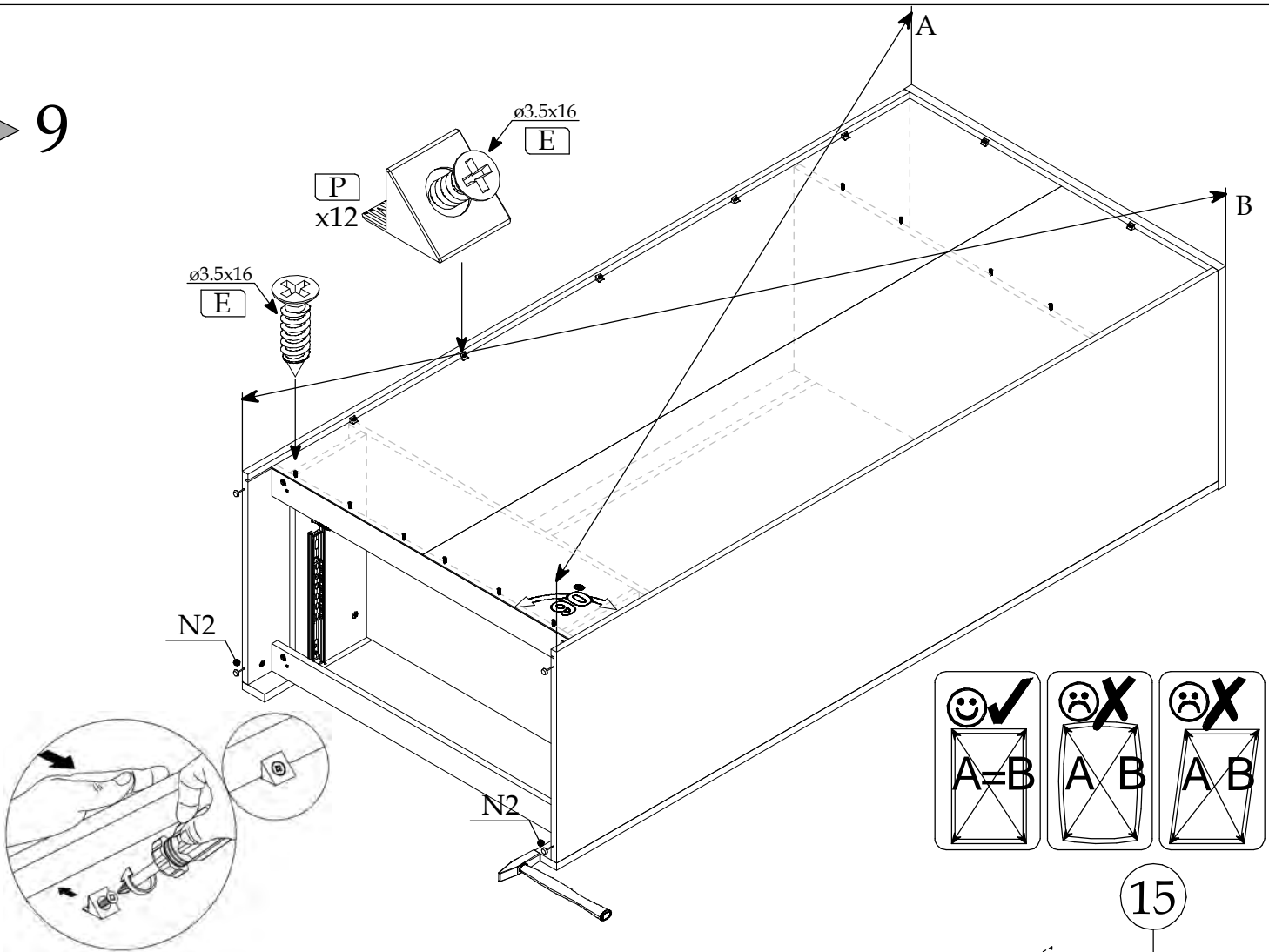
▶ 7



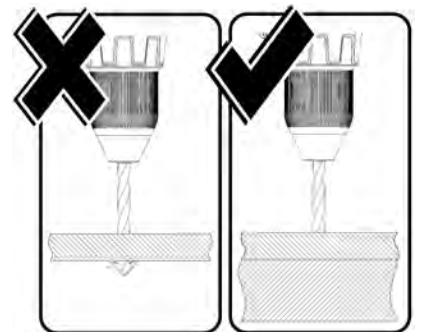
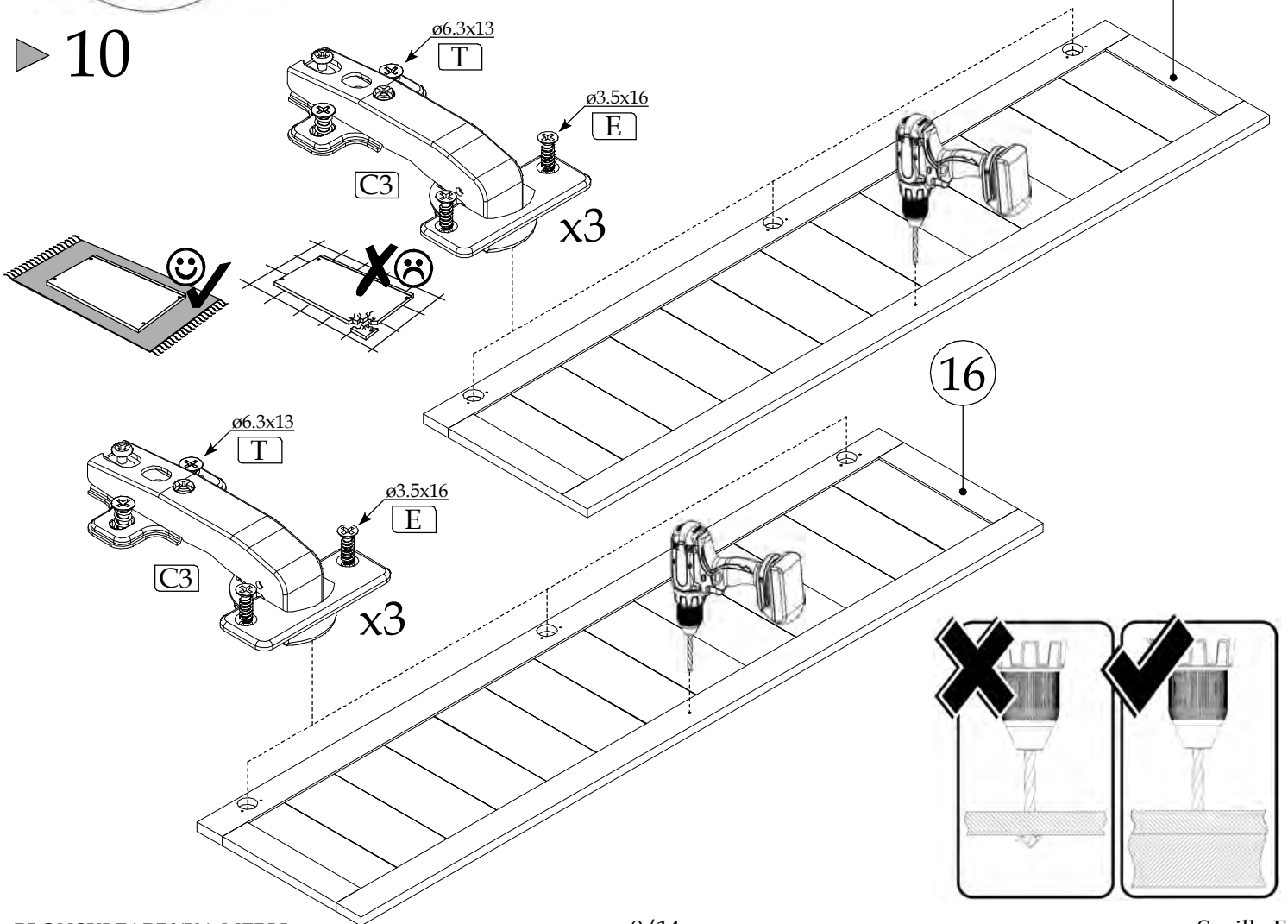
▶ 8



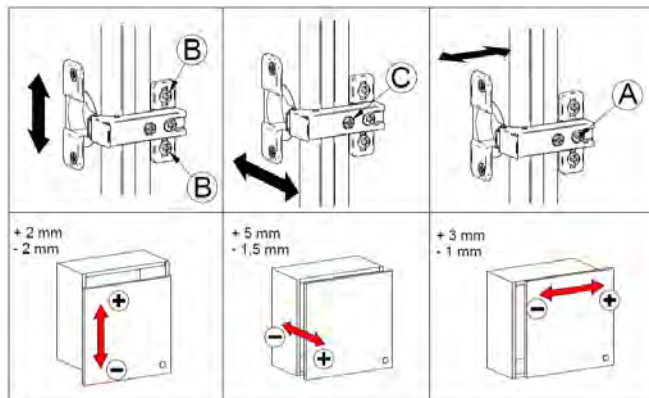
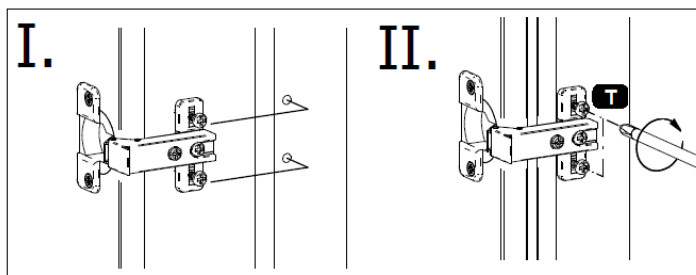
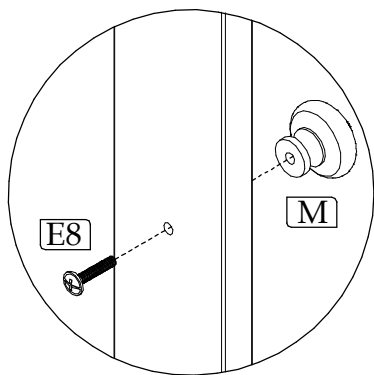
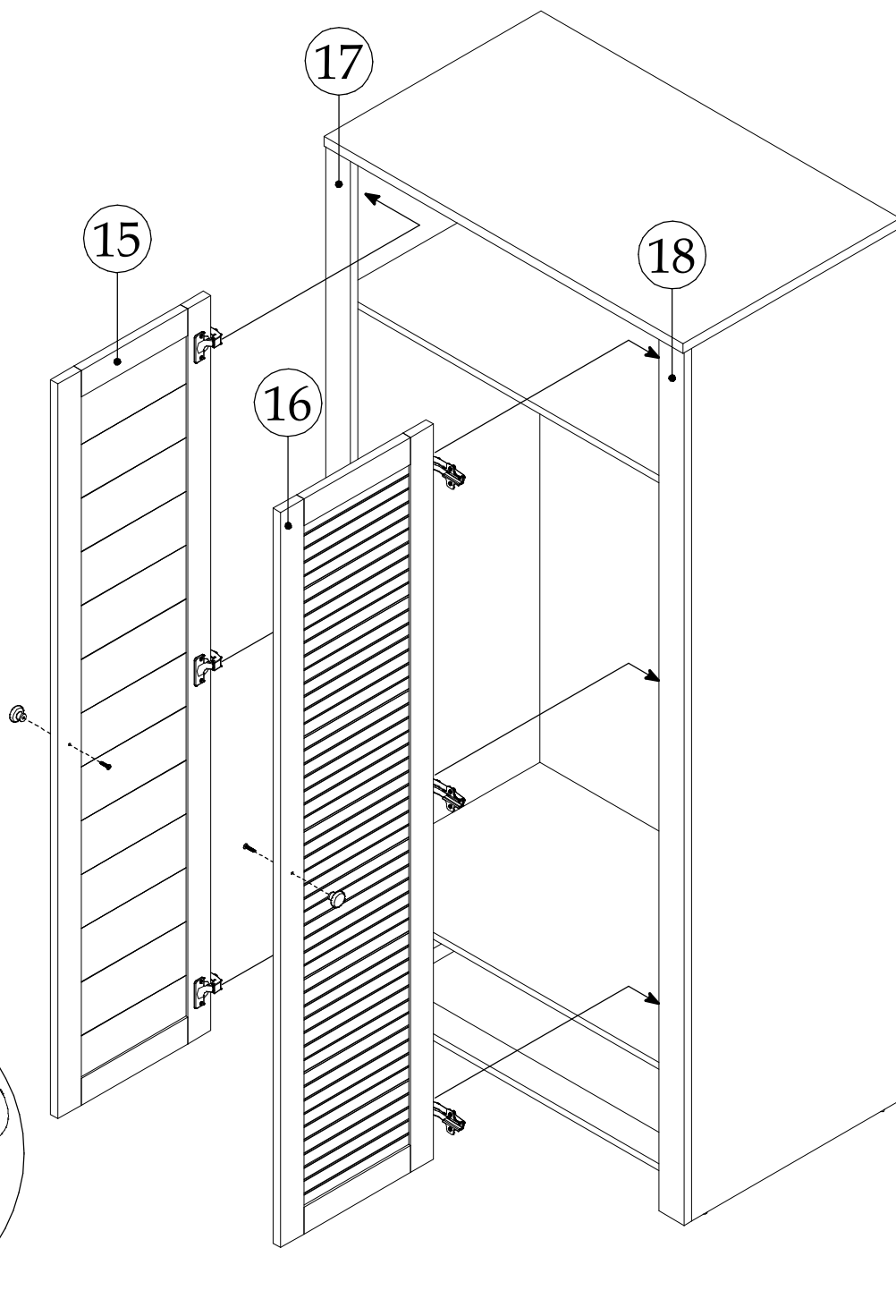
▶ 9

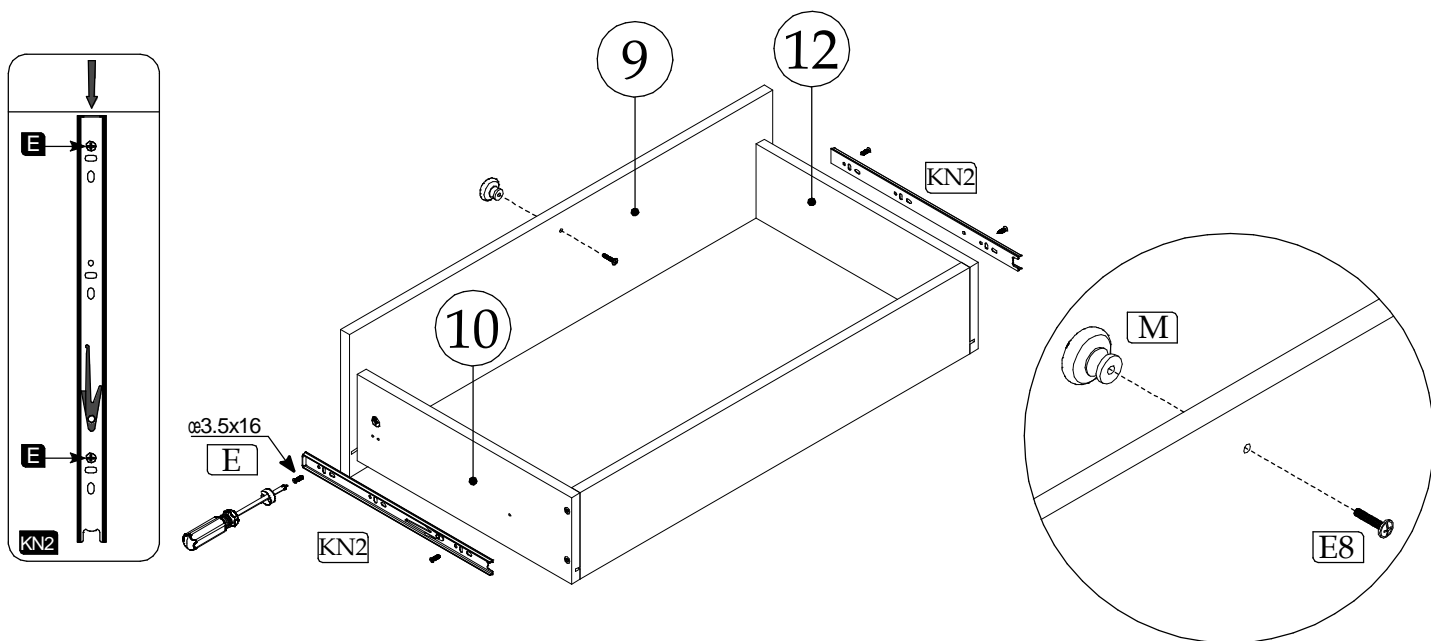
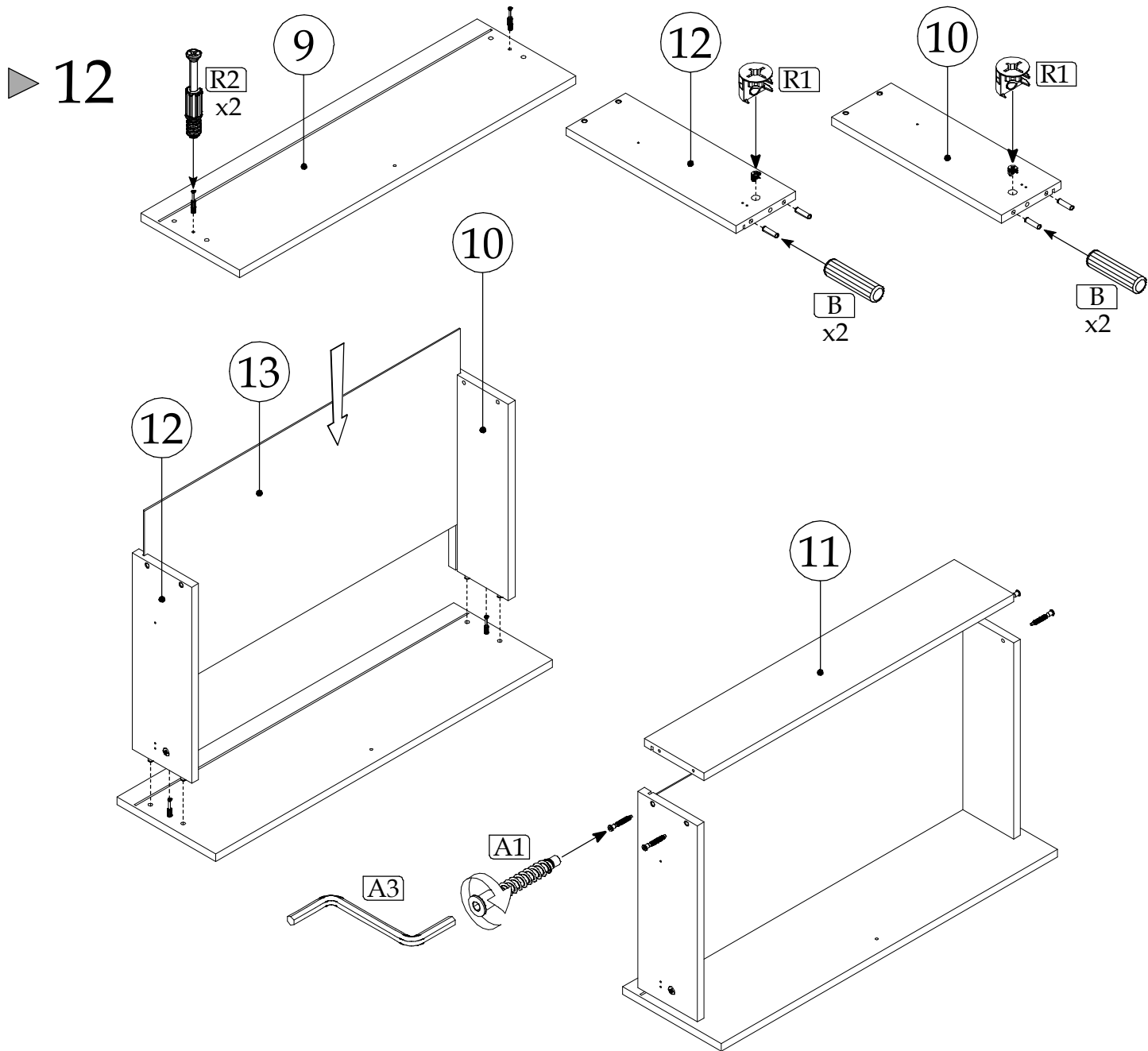


▶ 10

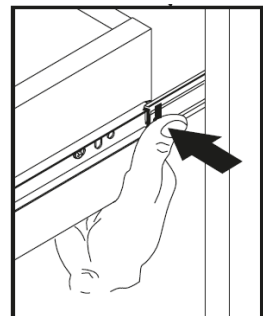
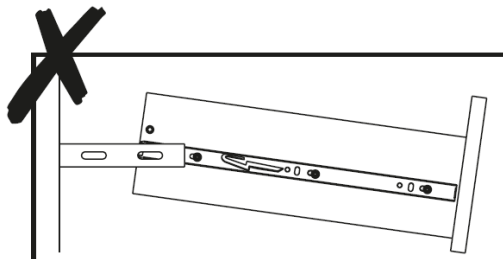
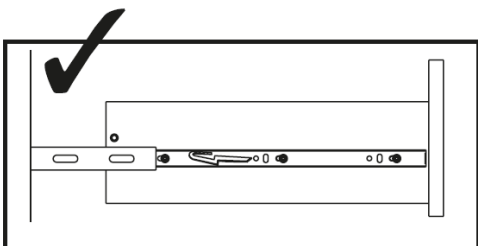
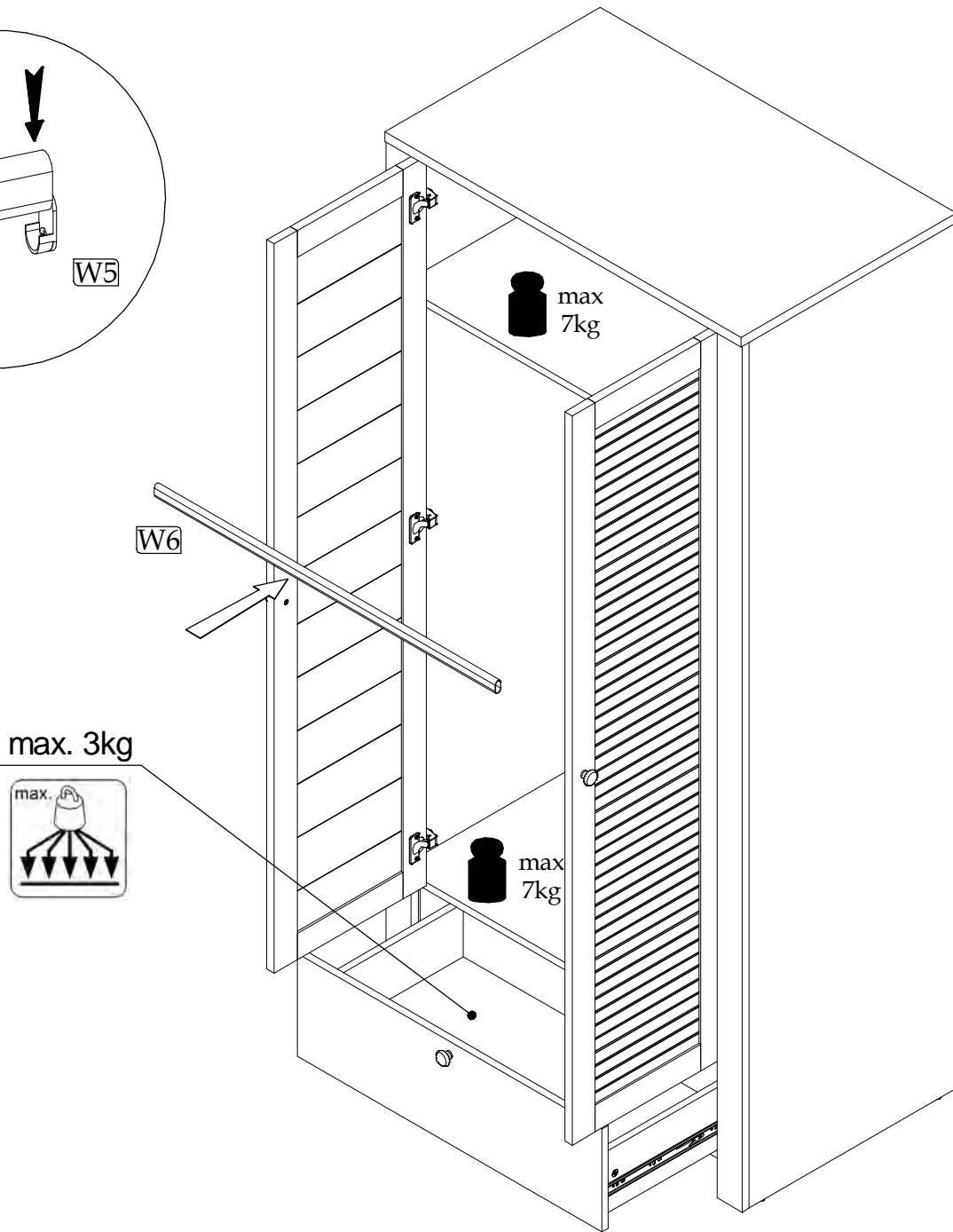
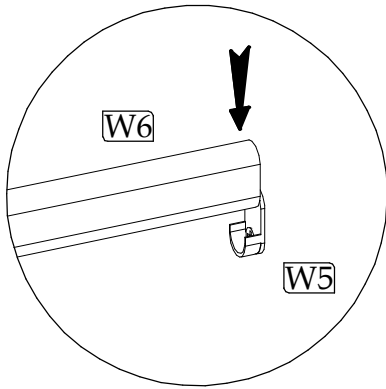


► 11





► 13



► 14

