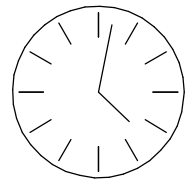
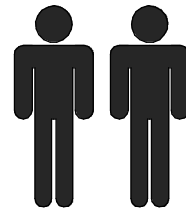
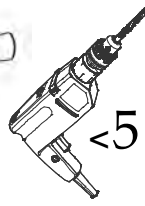
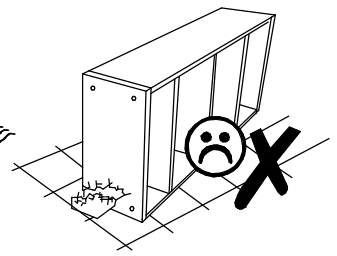
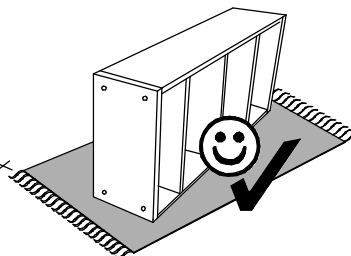
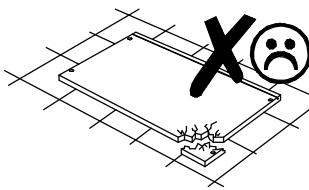
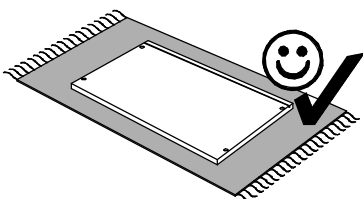
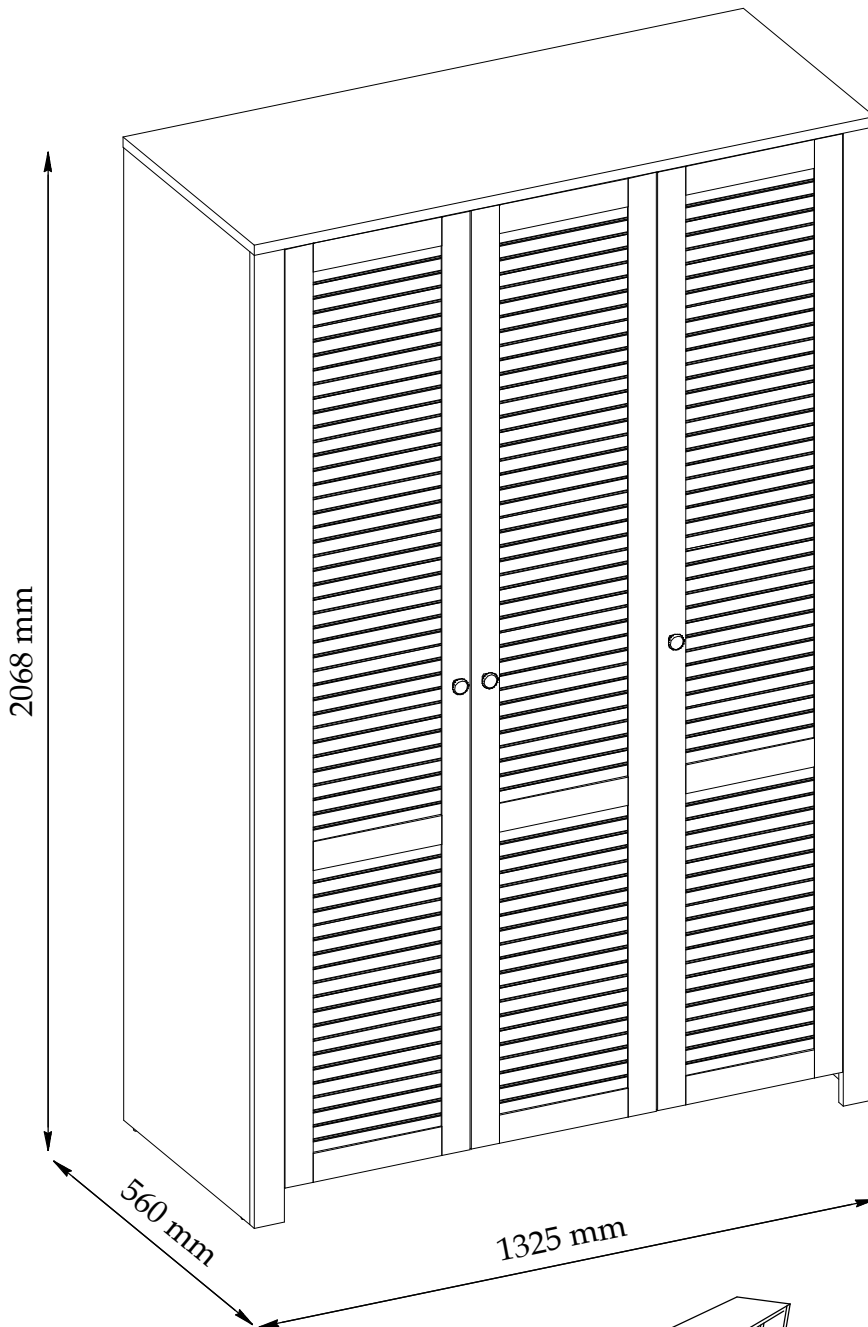


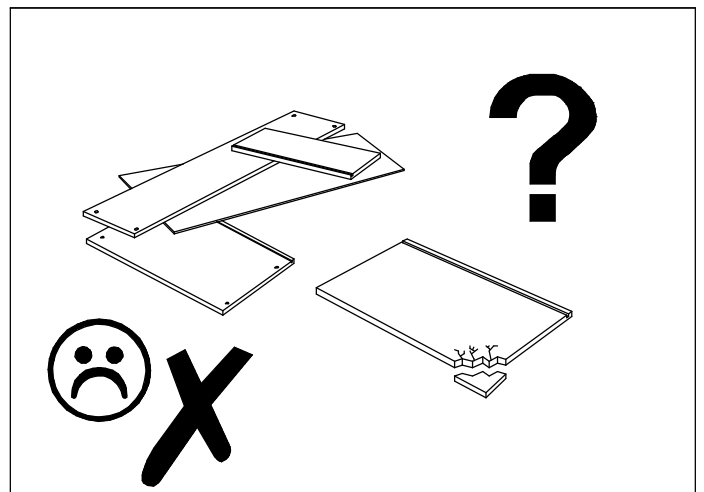
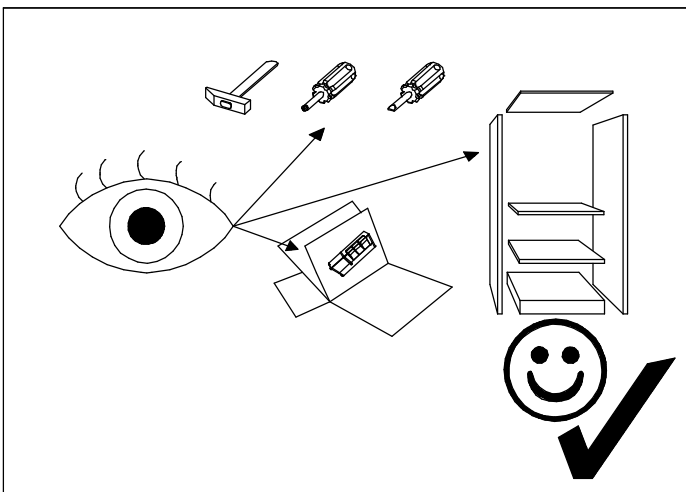
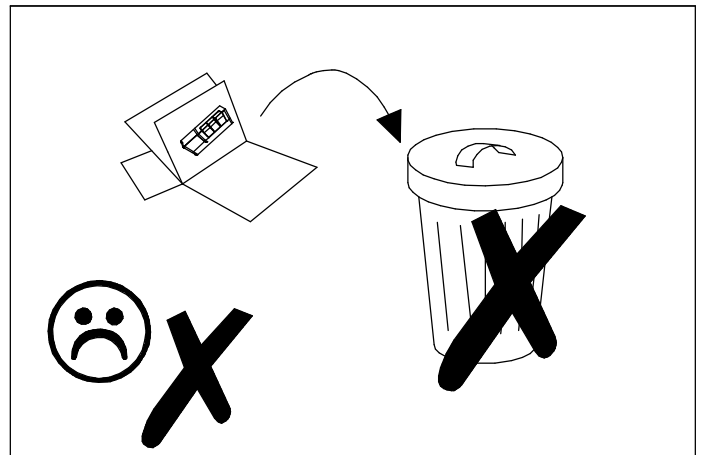
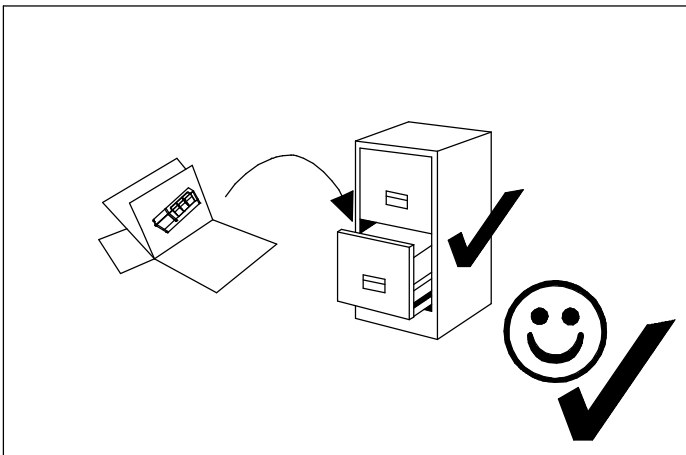
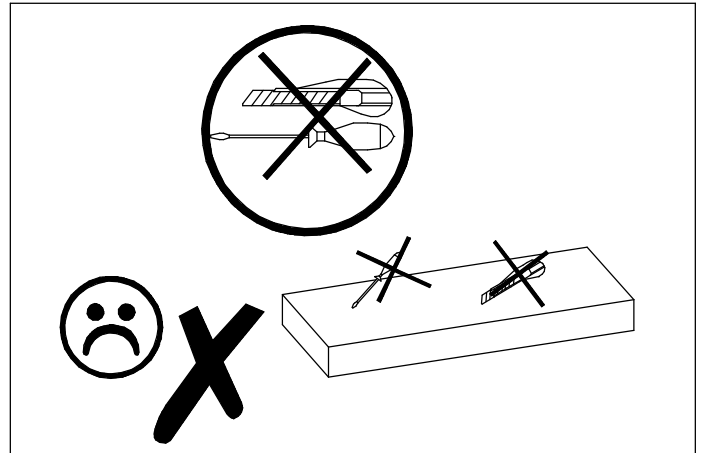
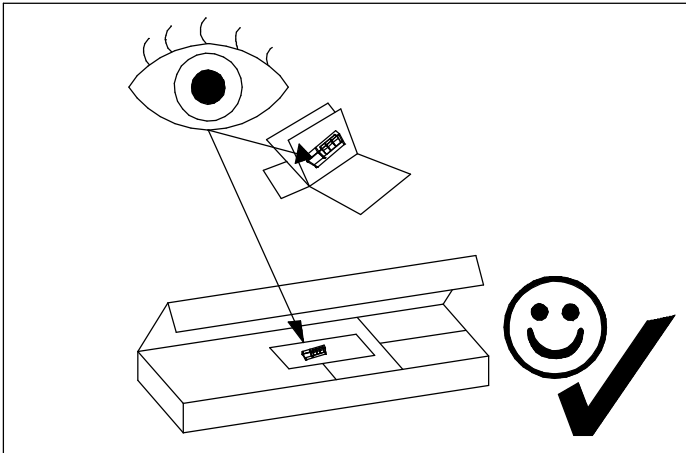
SEVILLA H

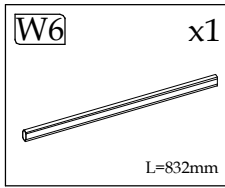
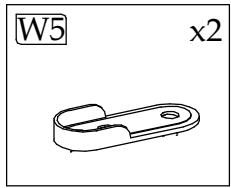
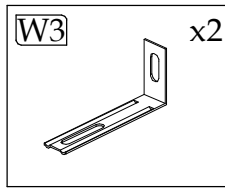
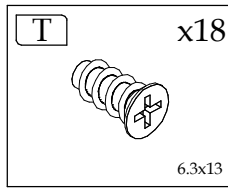
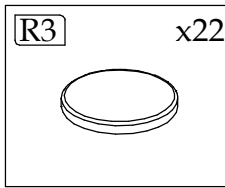
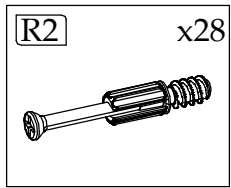
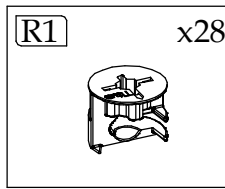
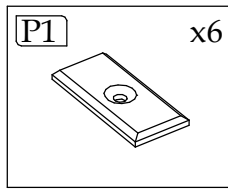
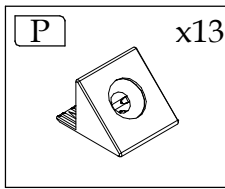
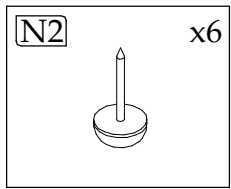
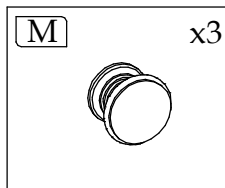
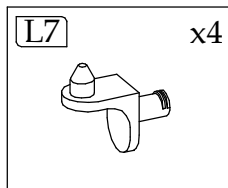
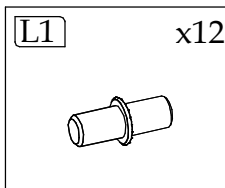
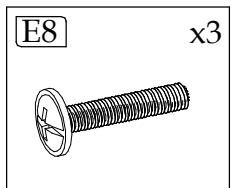
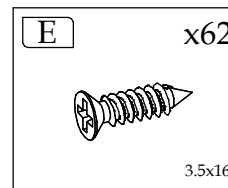
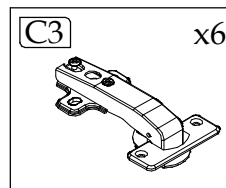
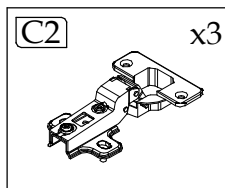
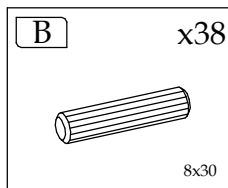
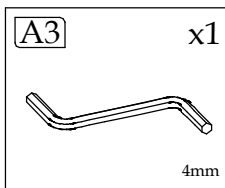
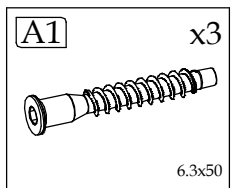


100 min

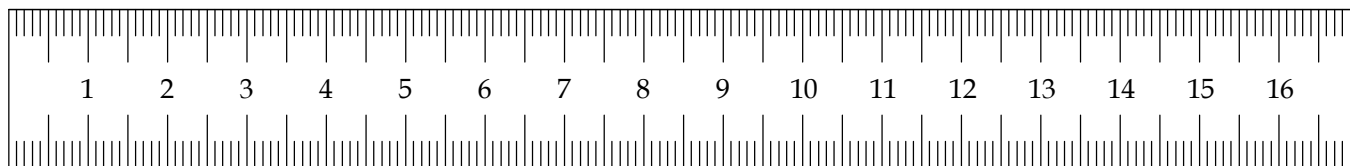
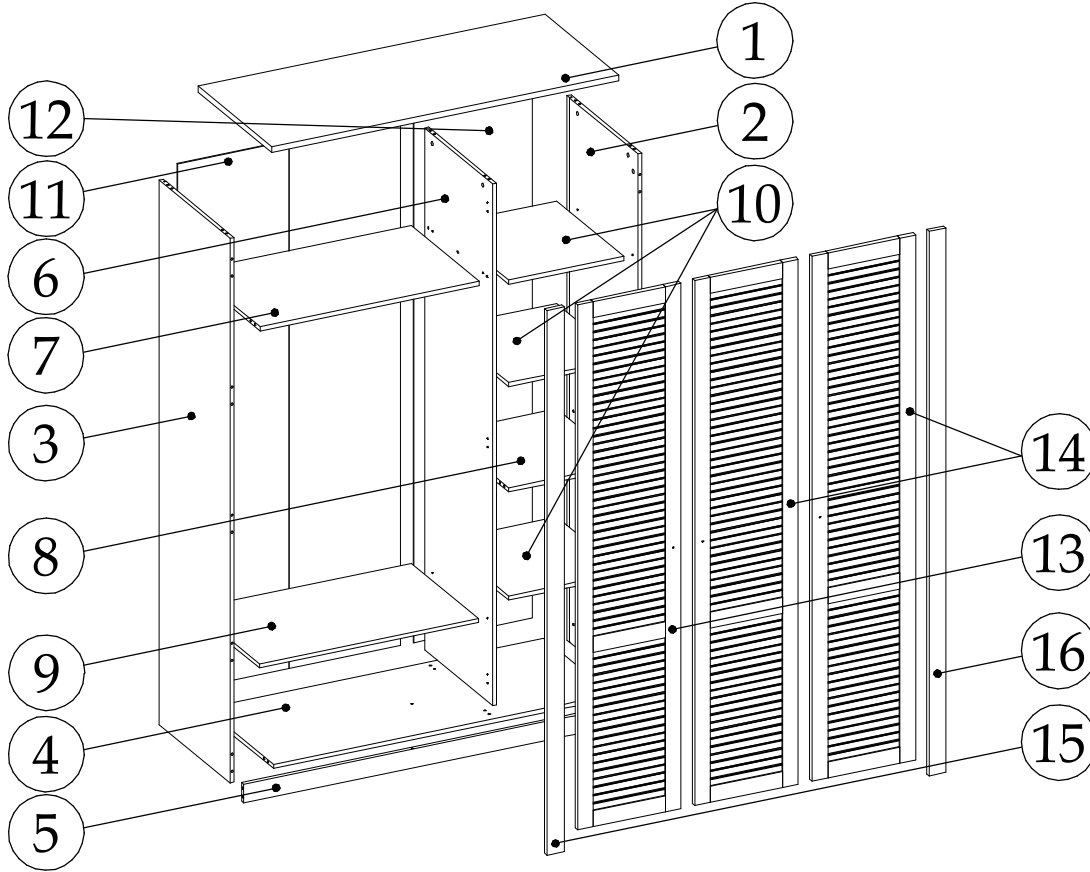
INDEKS 3372533

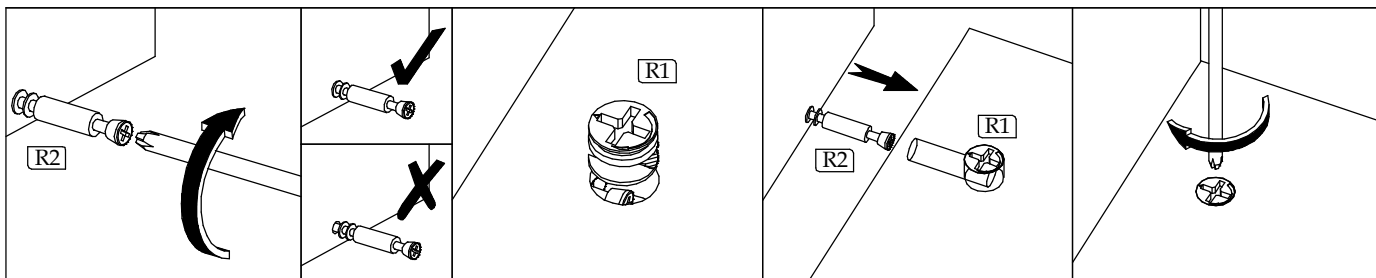




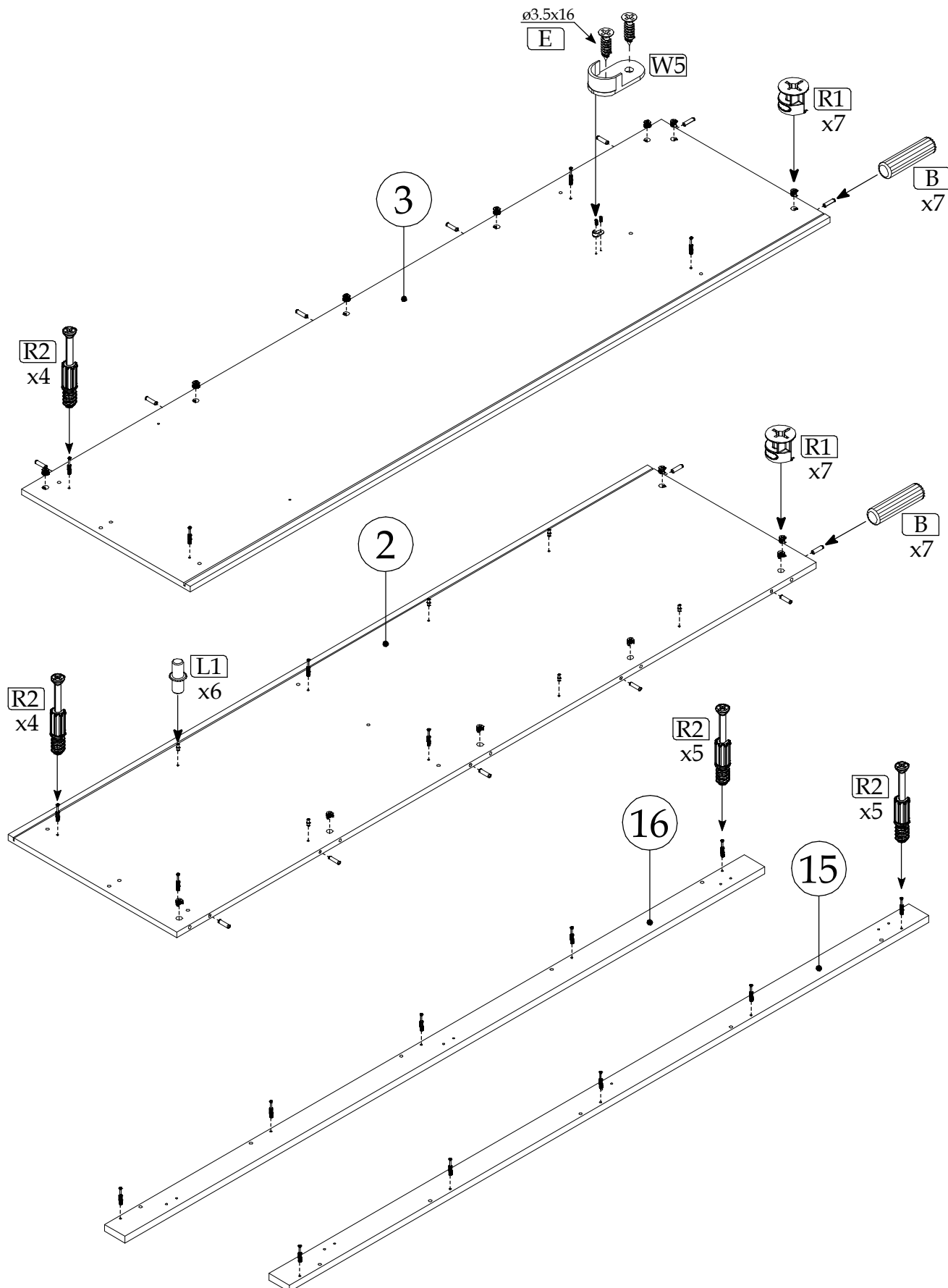


Element symbol	Measurements				Code	Paket
	1	2	3	4		
1	1325	560	22	1	1002	1/3
2	2041	538	16	1	1001	2/3
3	2041	538	16	1	1007	2/3
4	1291	518	16	1	1008	1/3
5	1291	70	16	1	1011	1/3
6	1955	517.5	16	1	1027	2/3
7	836.5	517.5	16	1	1014	1/3
8	438.5	510	16	1	1024	1/3
9	836	510	16	1	1025	1/3
10	438	510	16	1		1/3
11	1978	852	3	1		2/3
12	1978	453	3	1		2/3
13	1968	395	19	1		3/3
14	1968	395	19	2		3/3
15	2041	65	19	1		3/3
16	2041	65	19	1		3/3

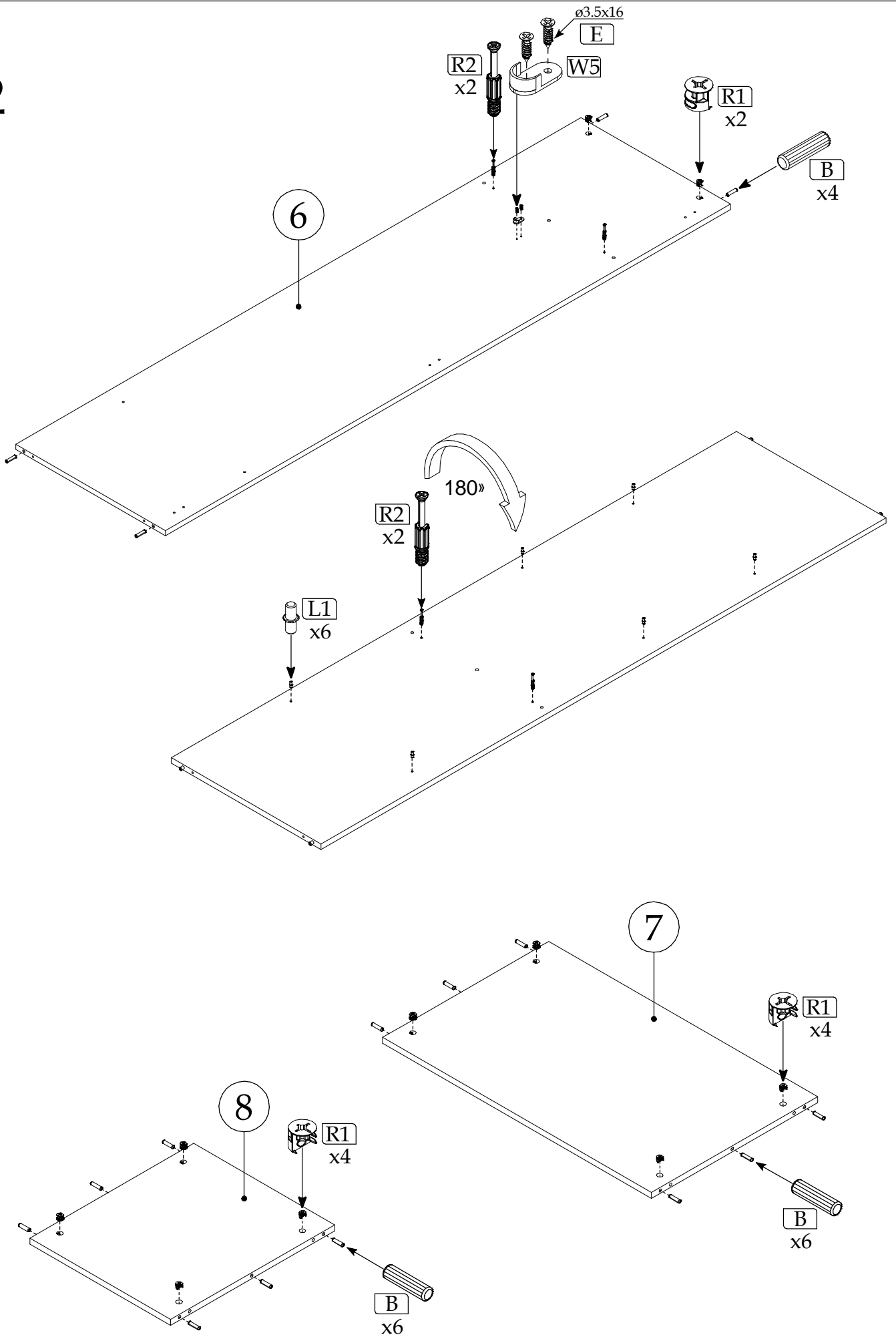




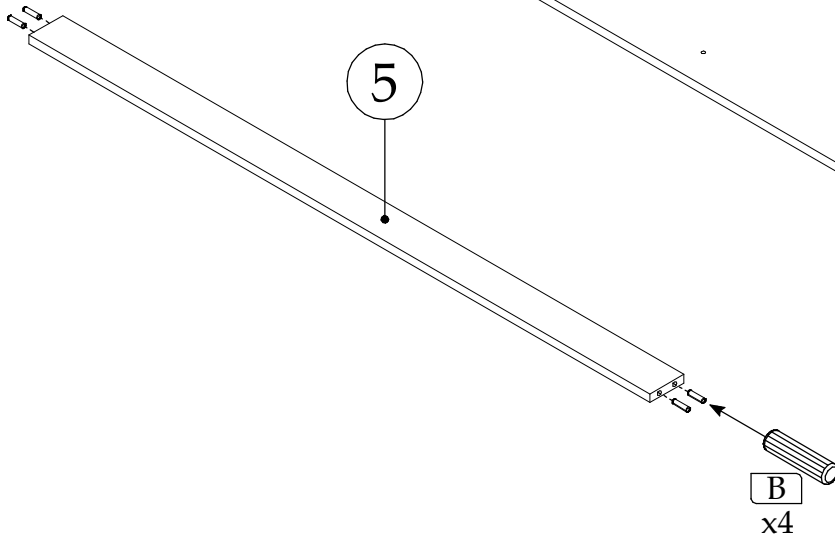
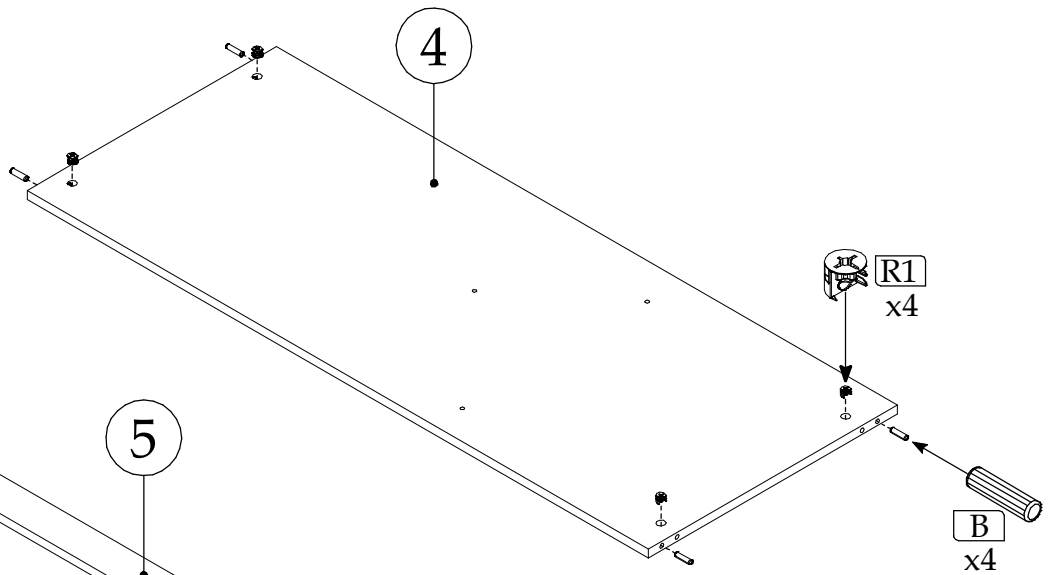
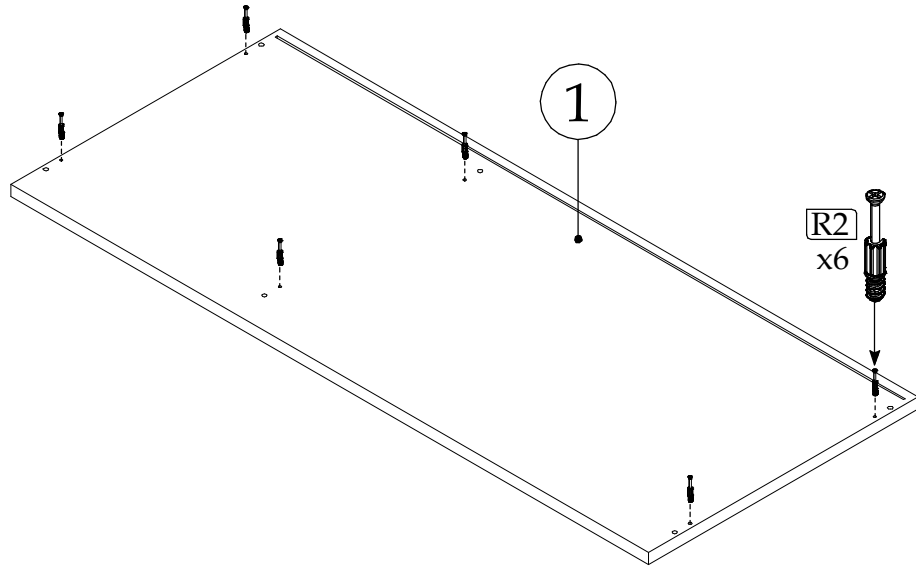
▶ 1



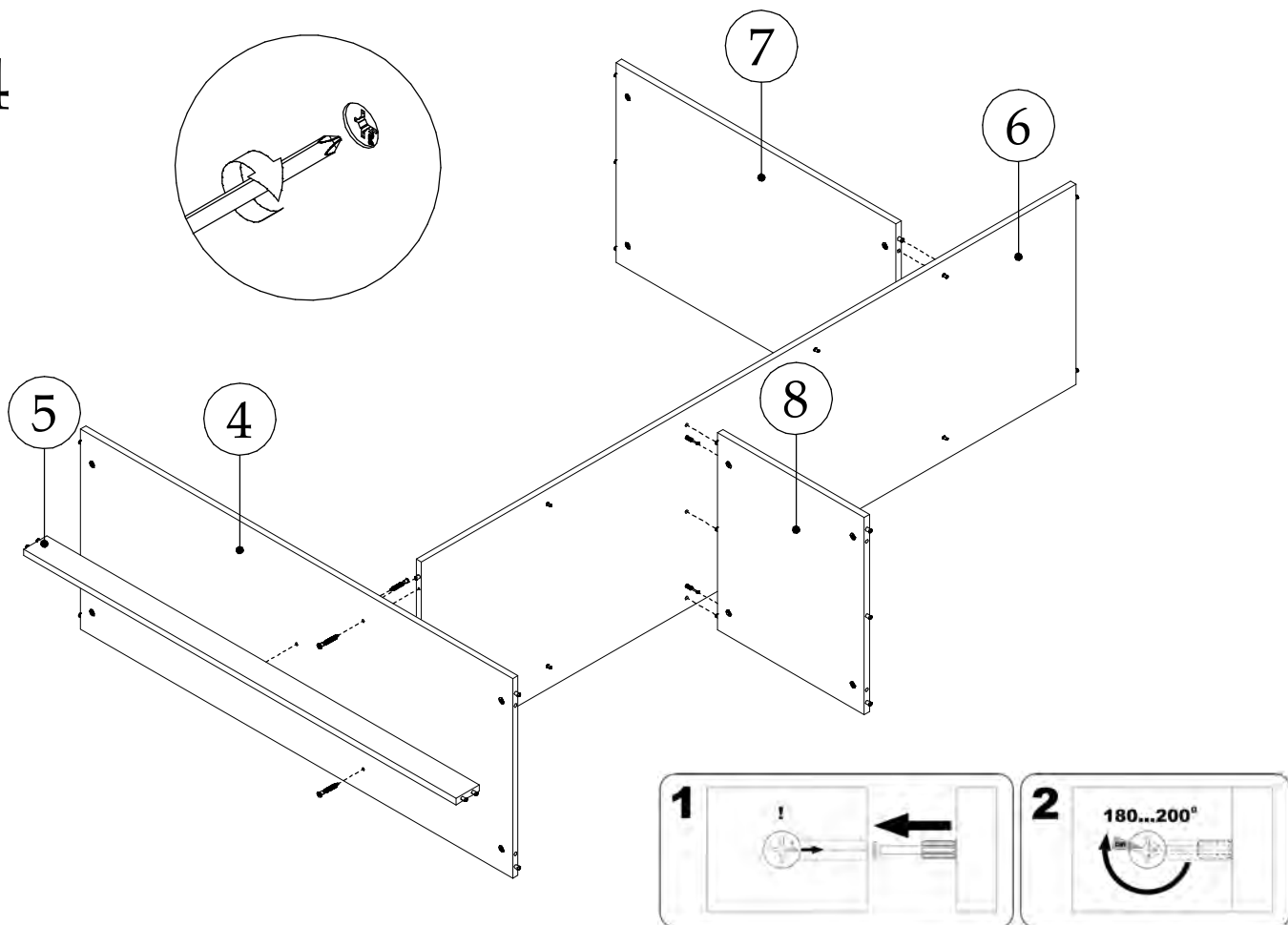
▶ 2



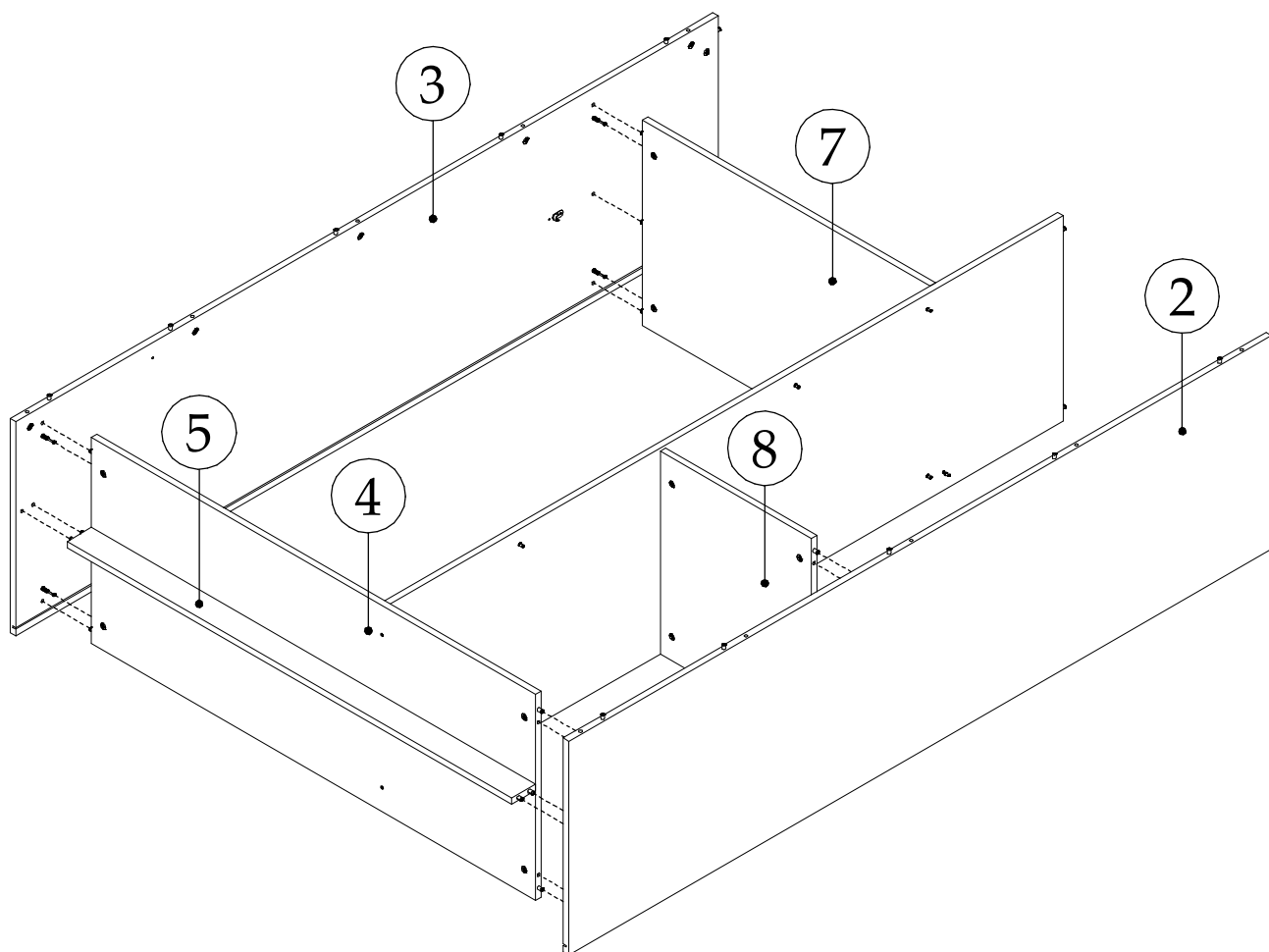
▶ 3



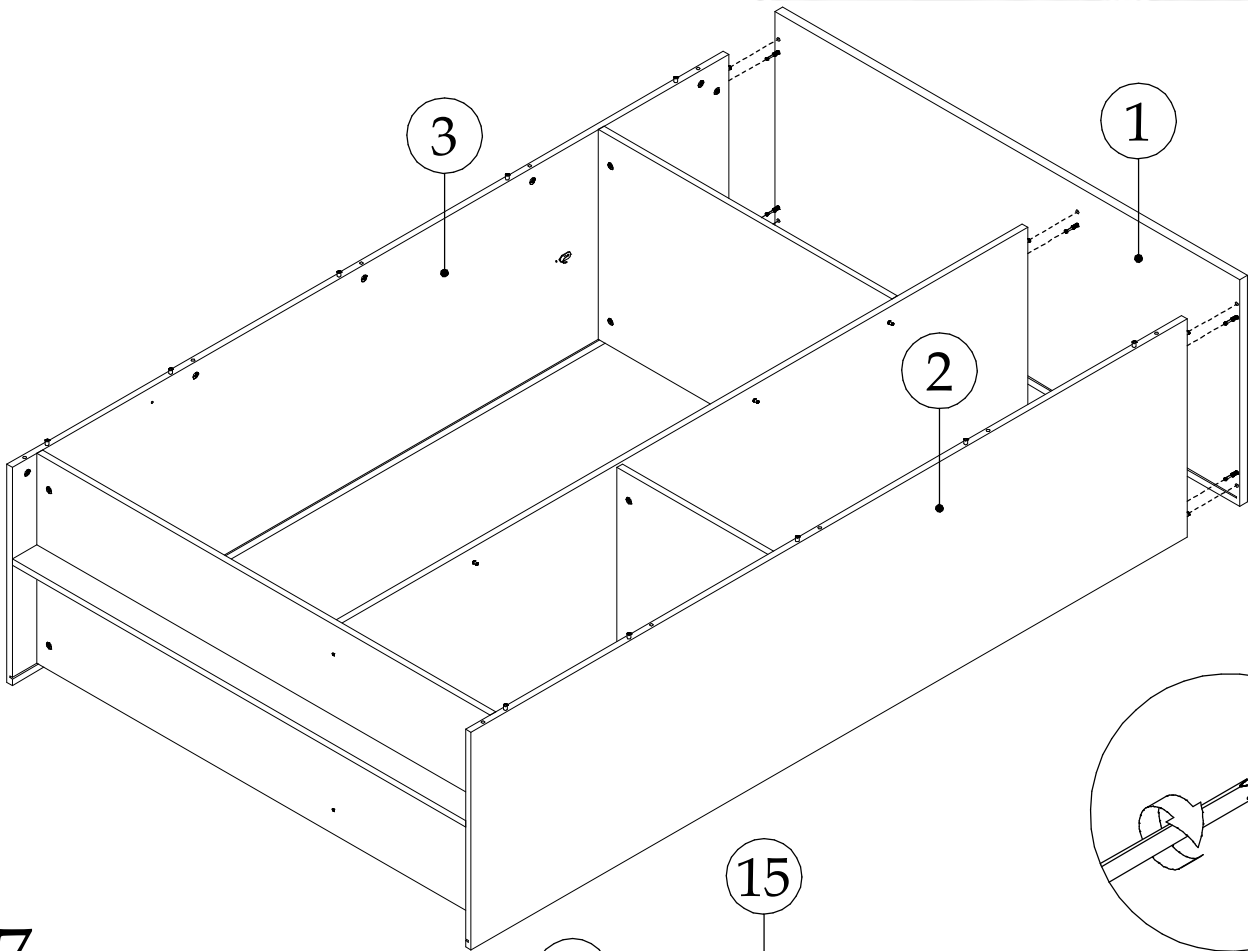
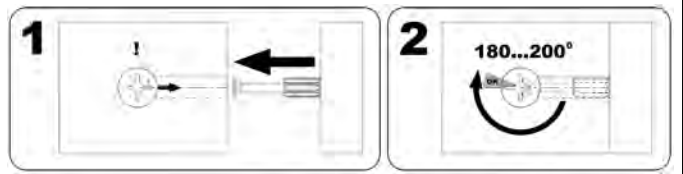
▶ 4



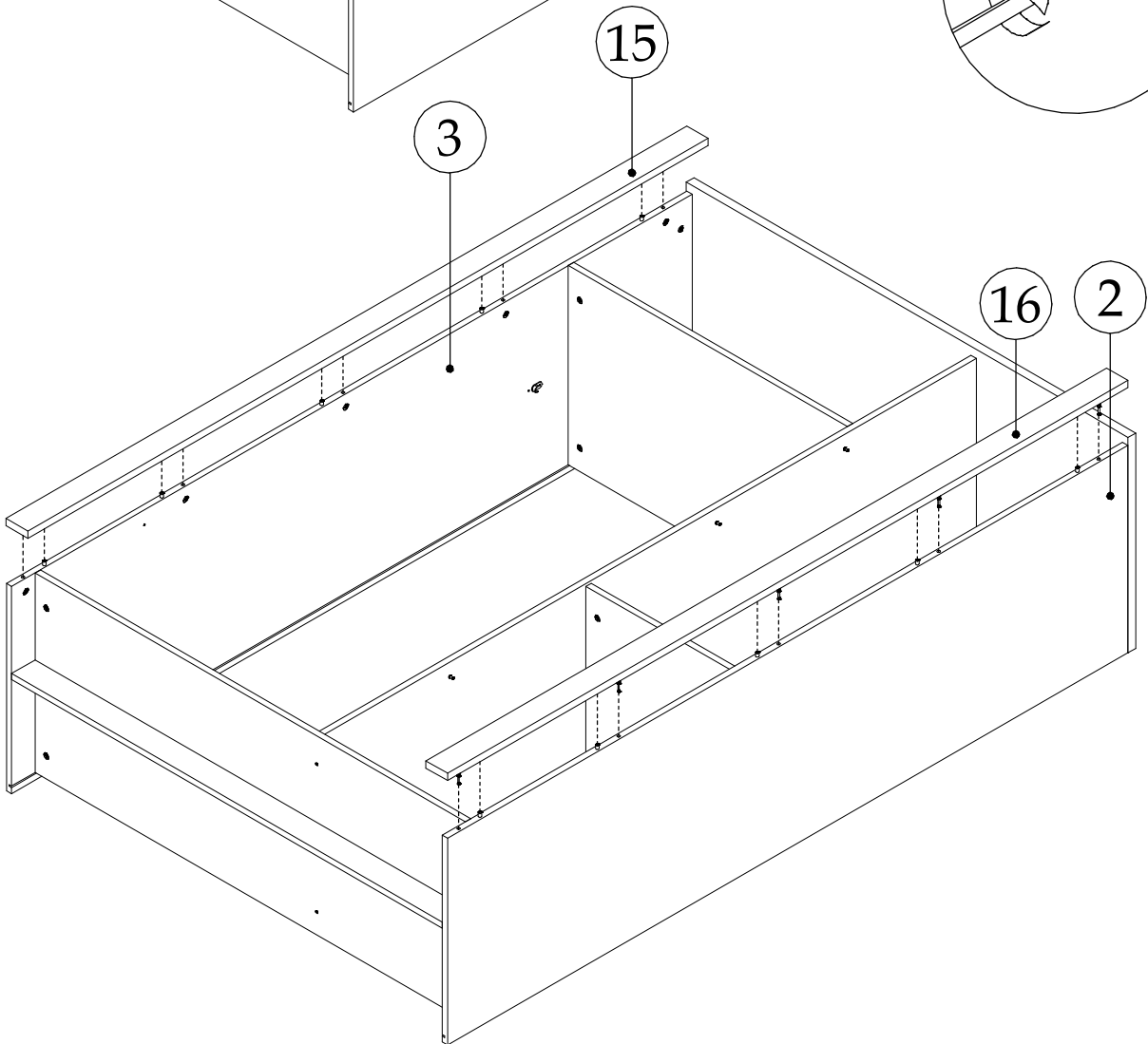
▶ 5



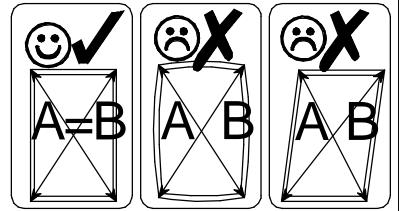
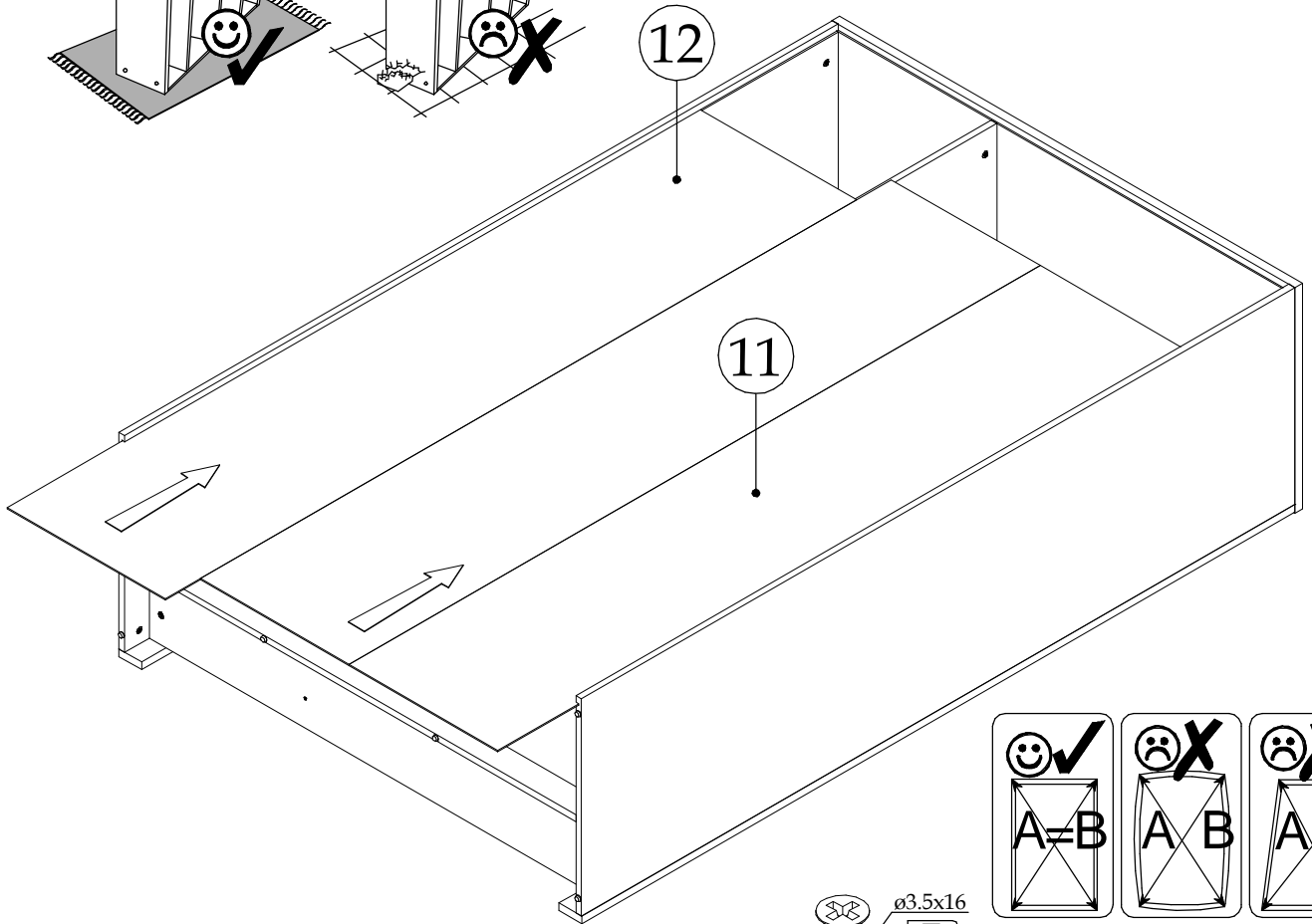
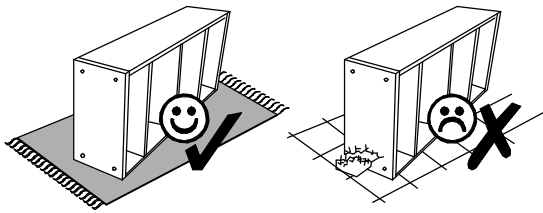
▶ 6



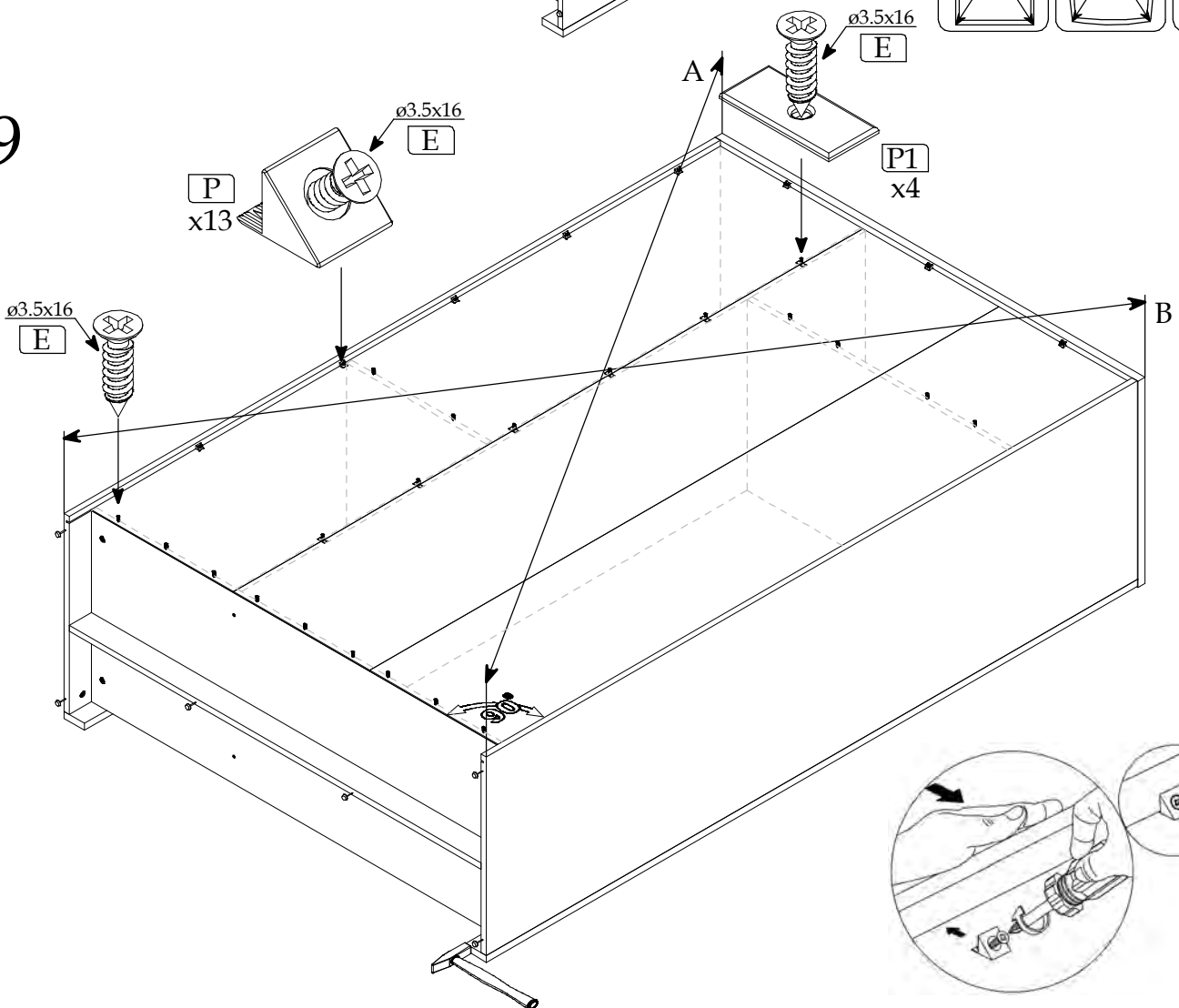
▶ 7



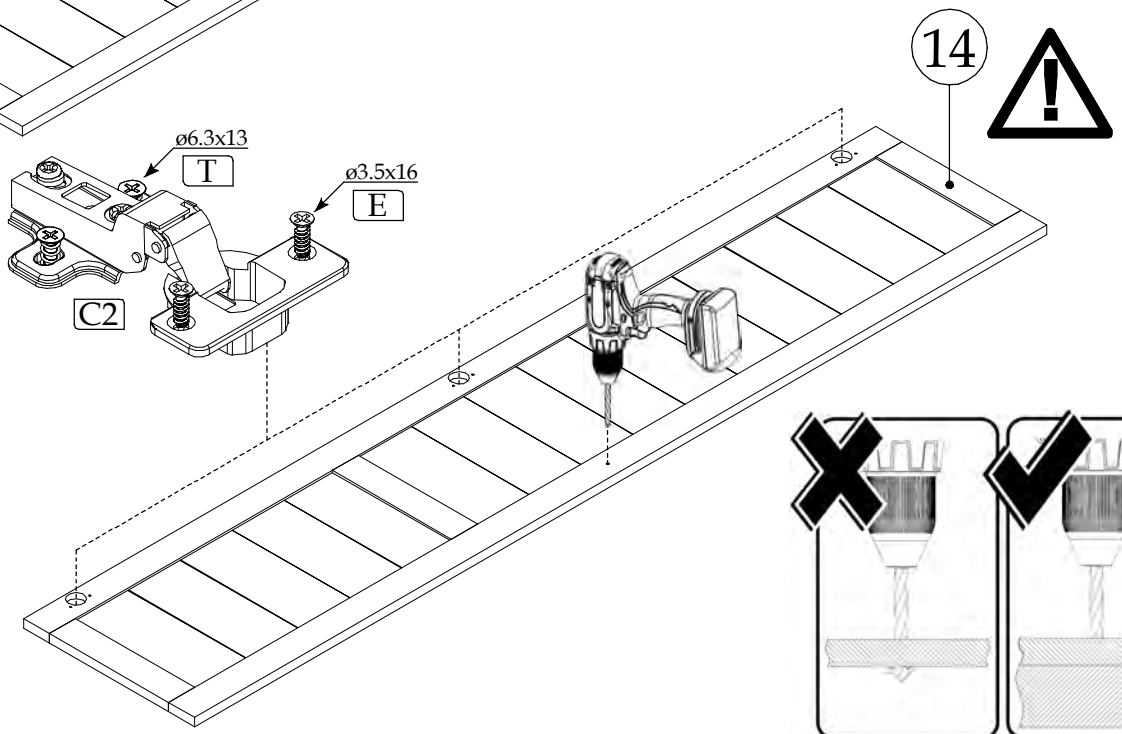
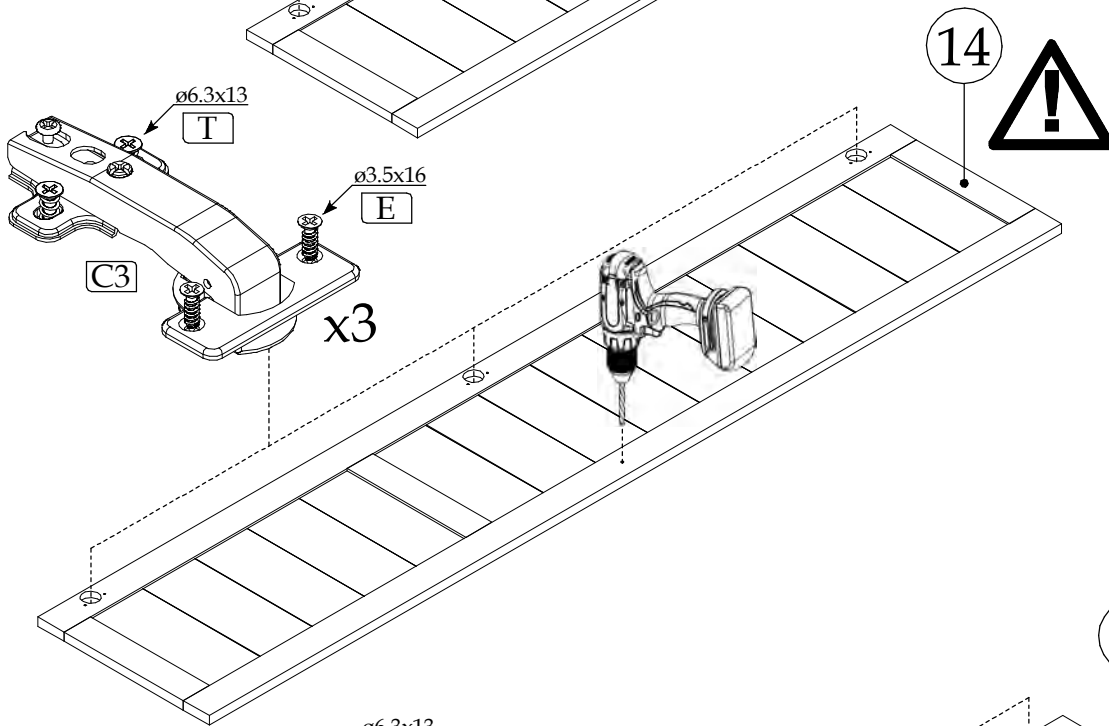
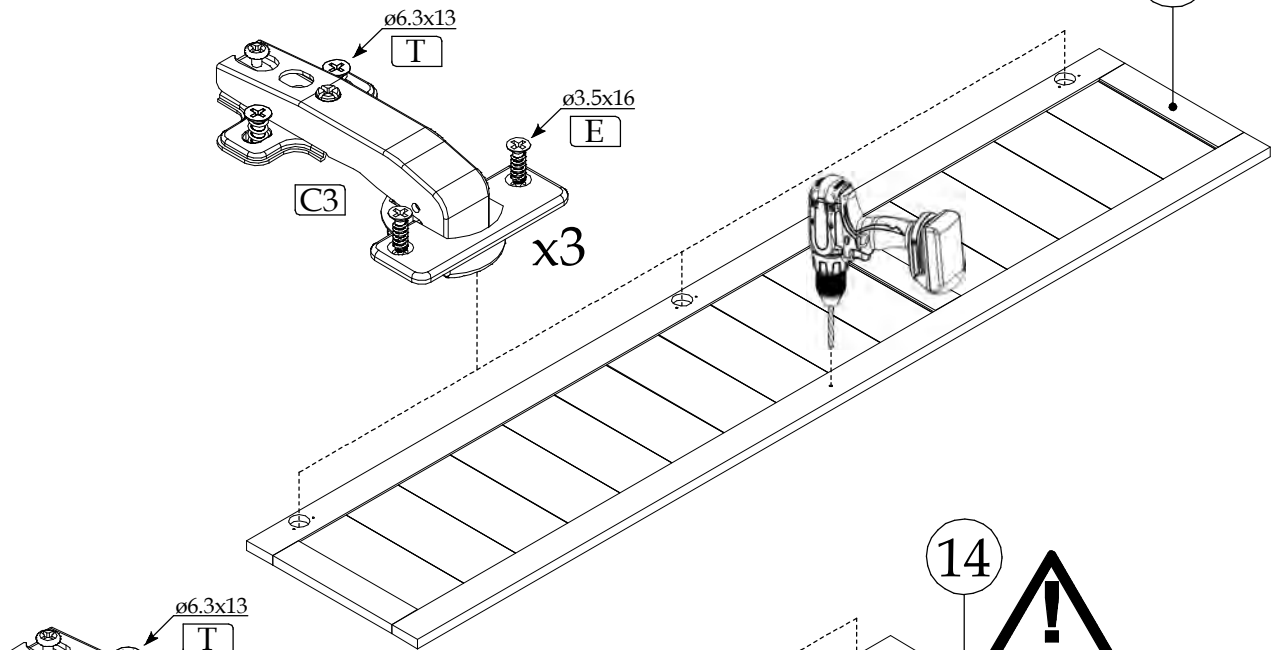
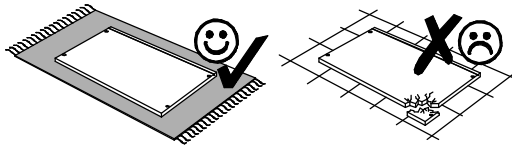
8



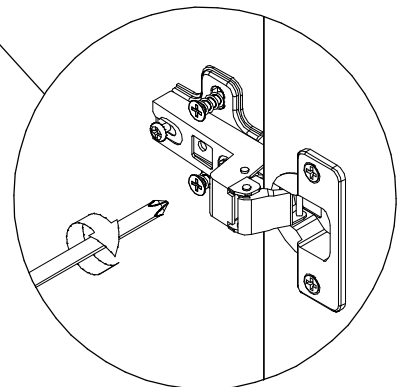
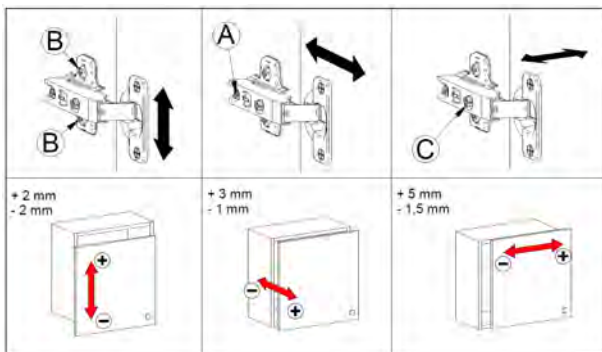
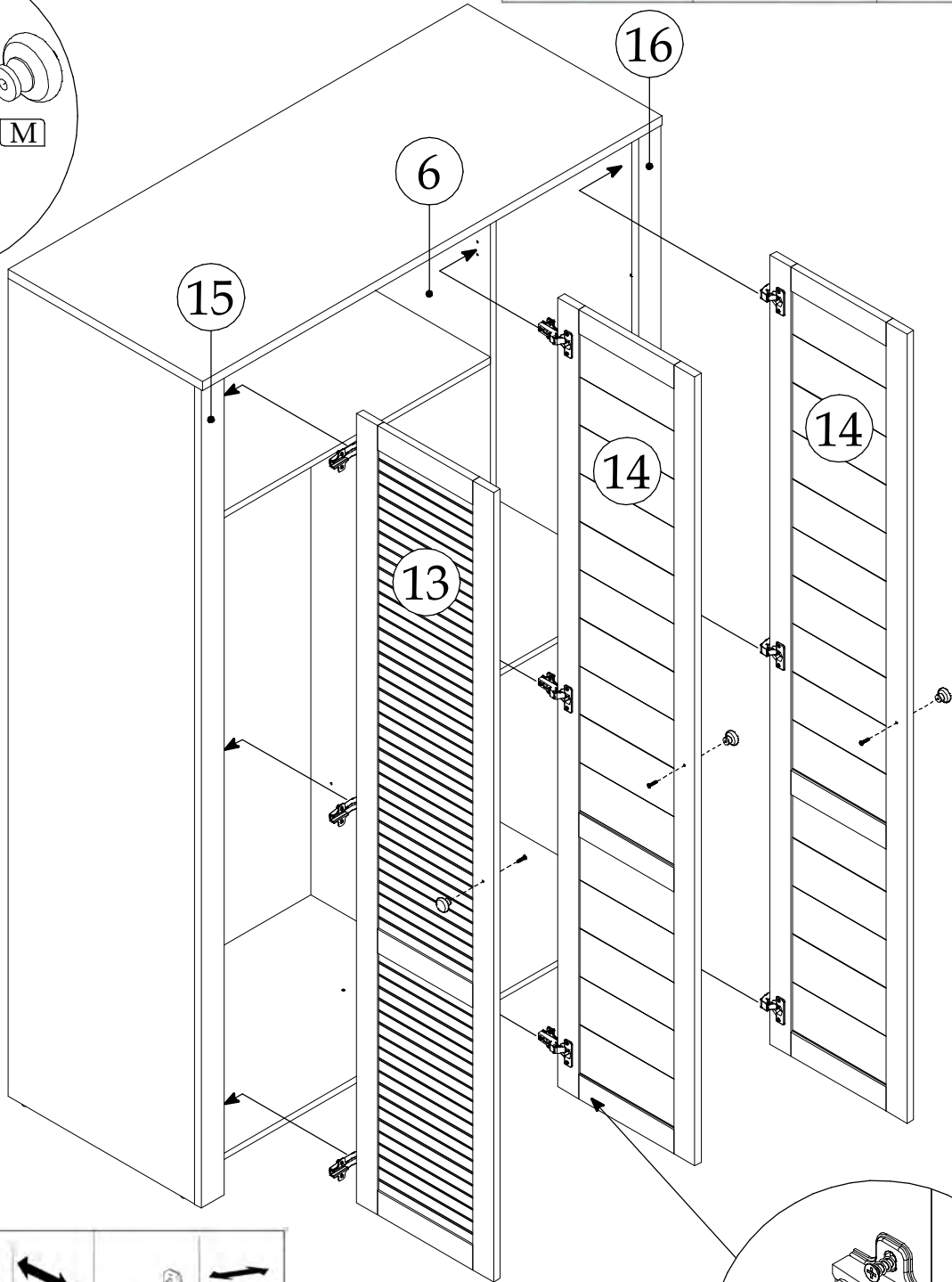
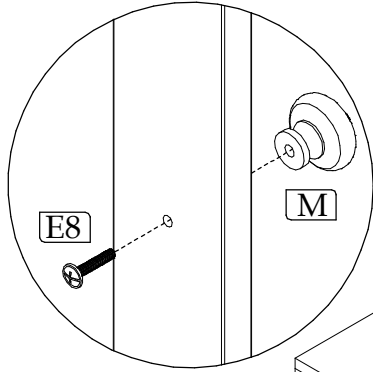
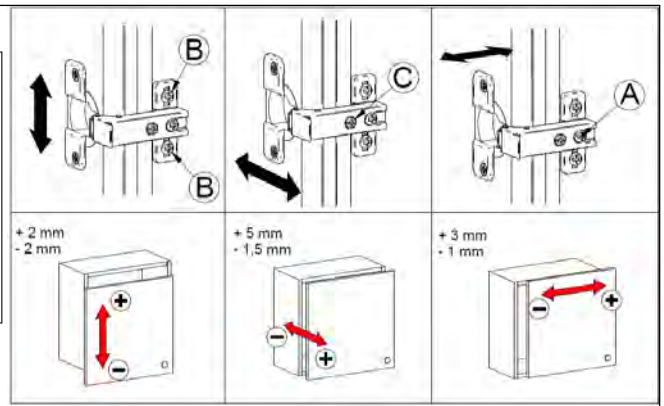
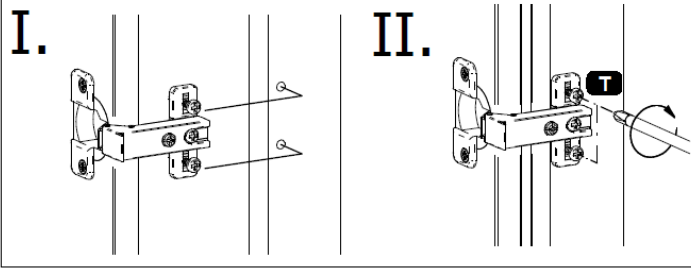
9



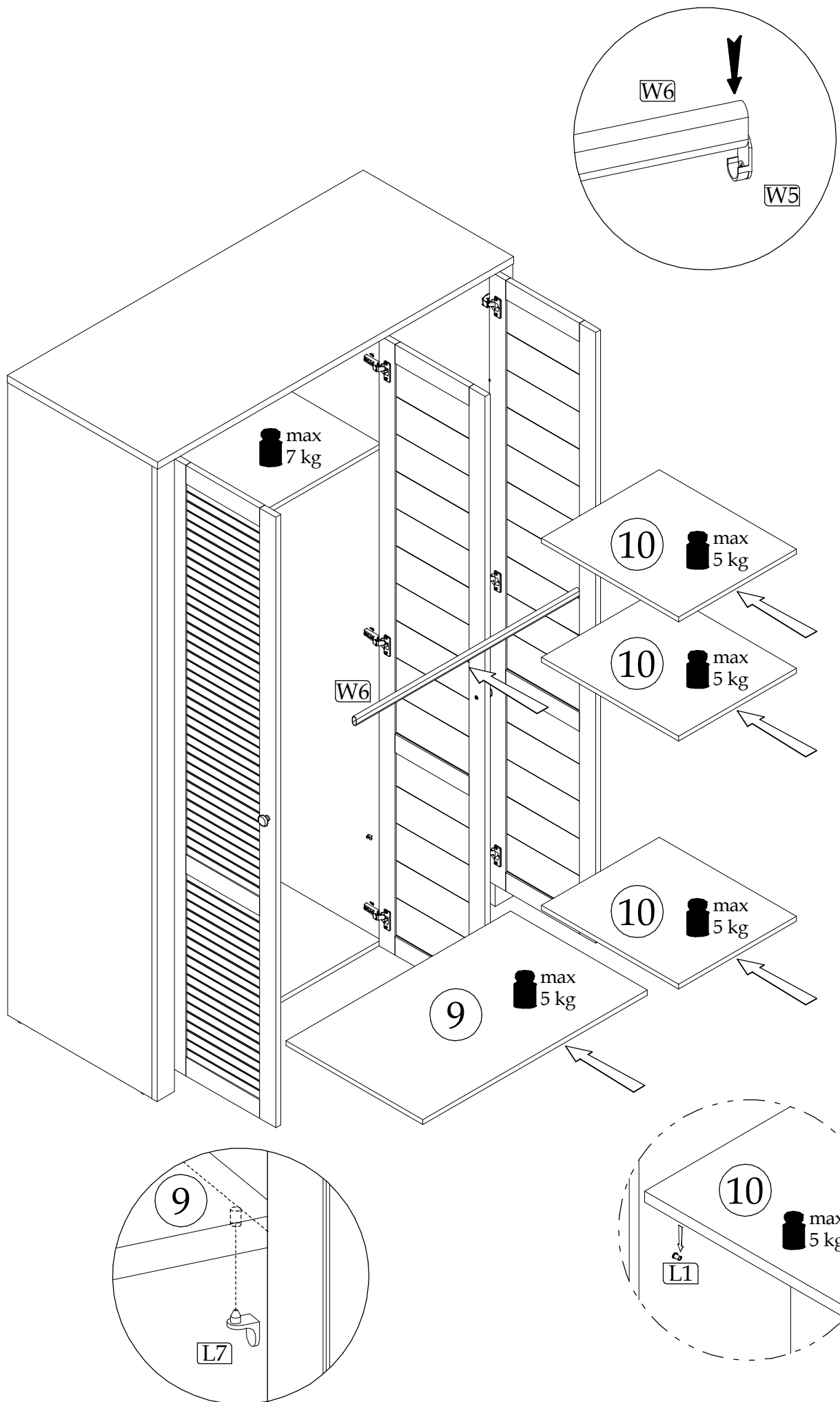
▶ 10



▶ 11



► 12



► 13

