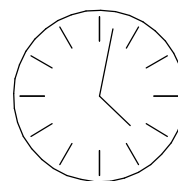
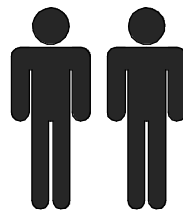
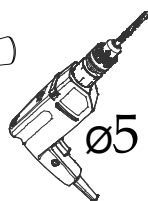
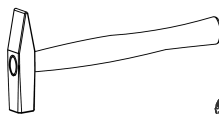
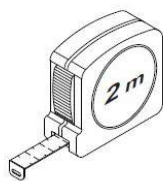
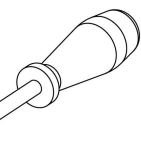
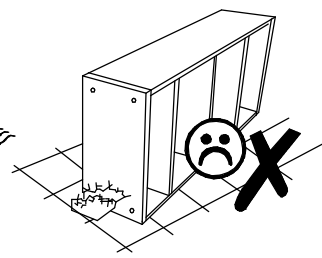
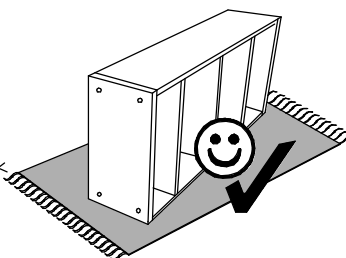
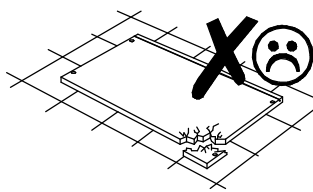
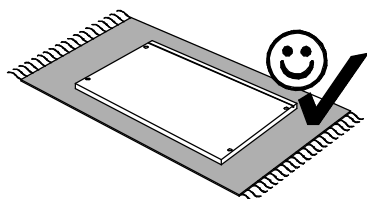
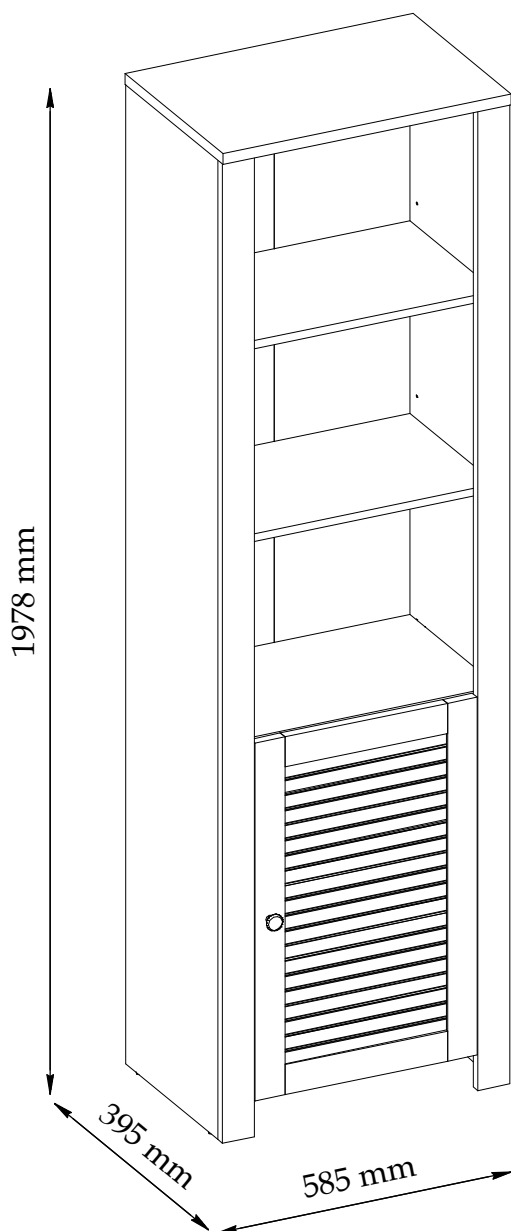


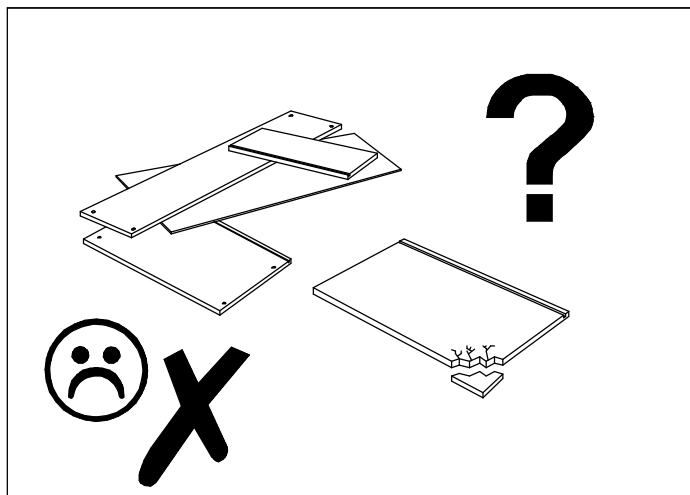
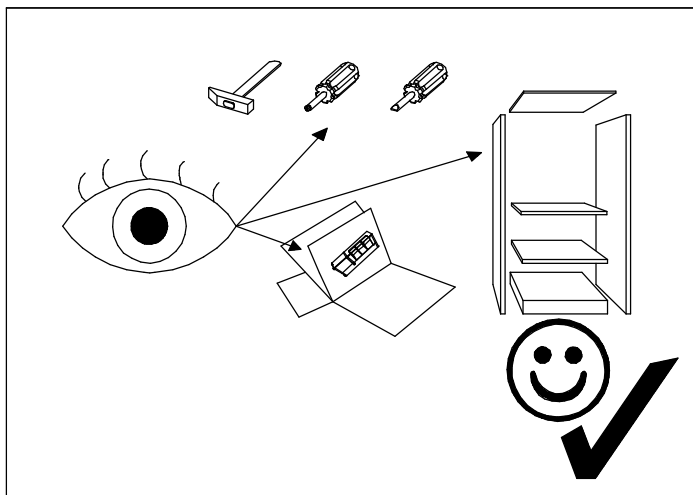
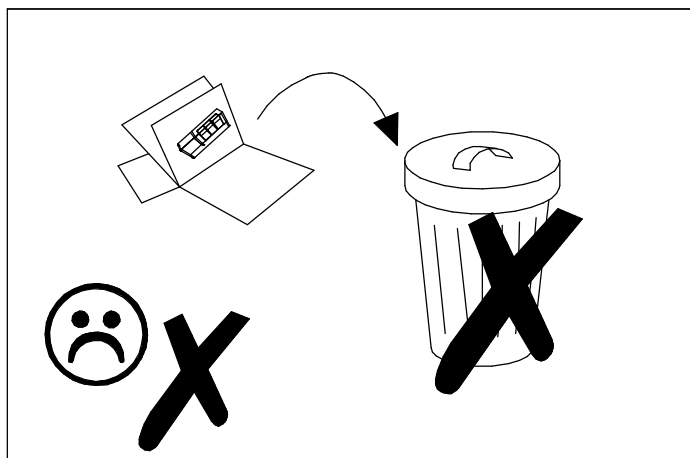
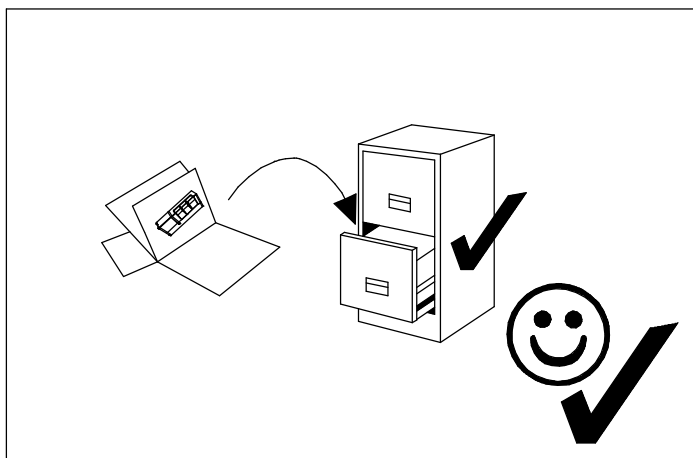
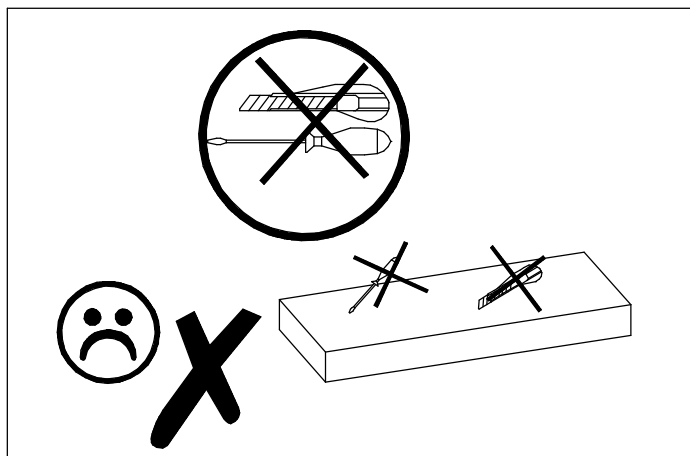
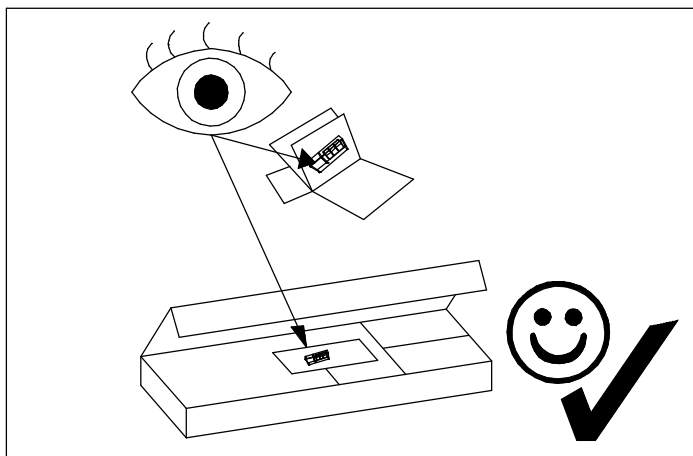
SEVILLA R

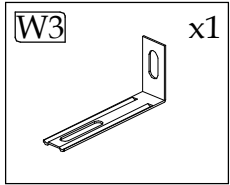
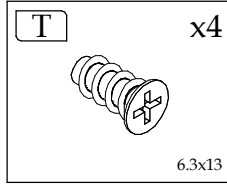
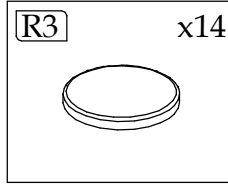
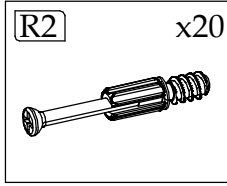
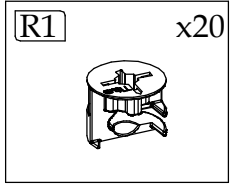
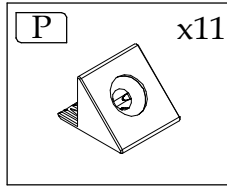
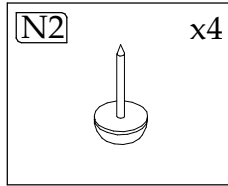
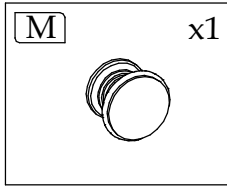
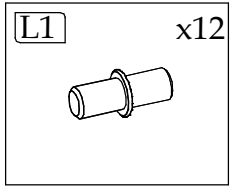
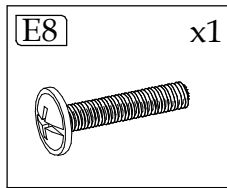
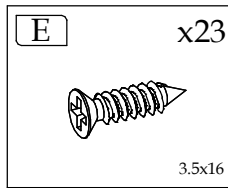
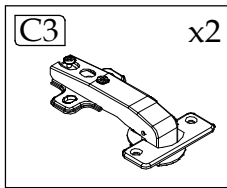
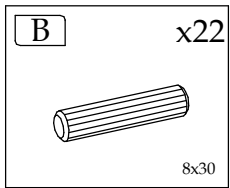


80 min

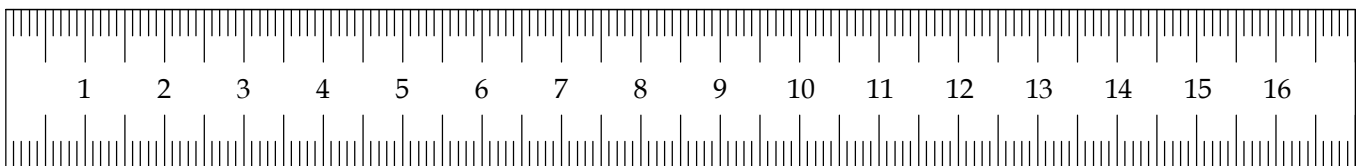
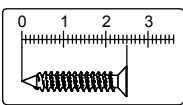
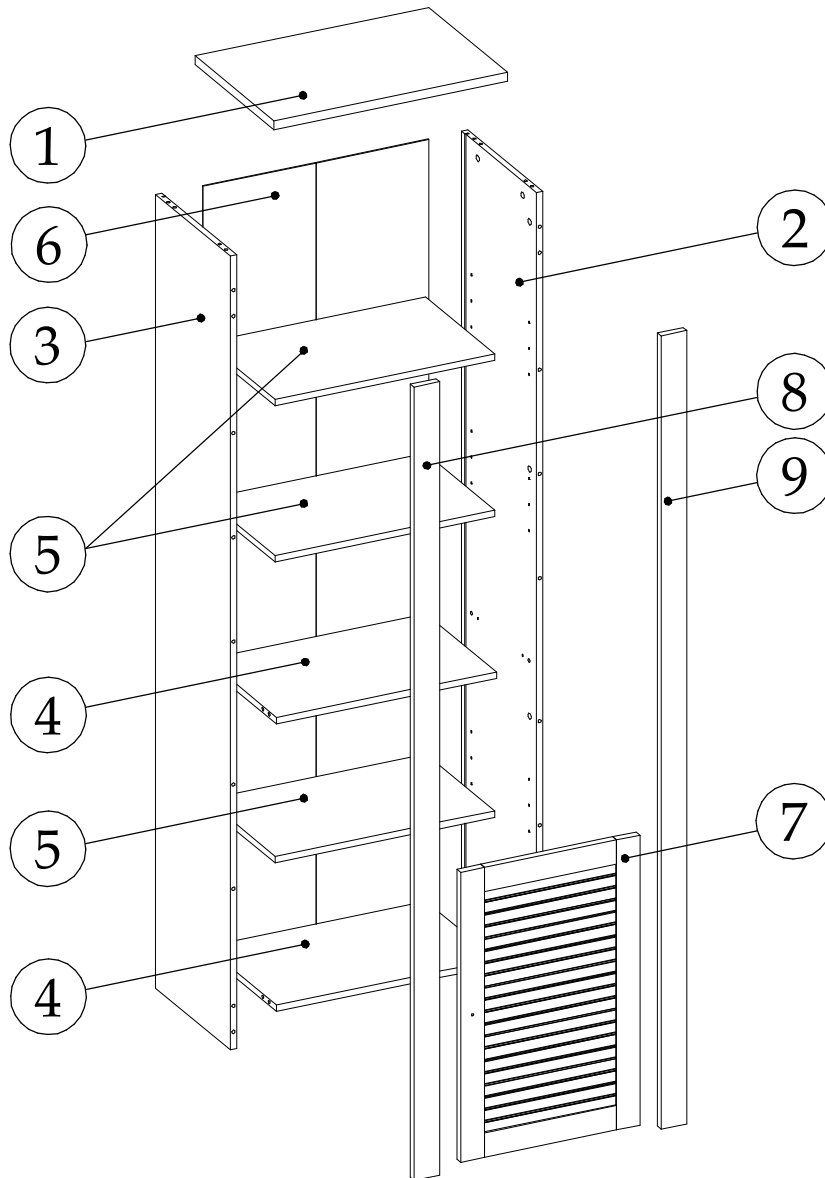
INDEKS 3372534





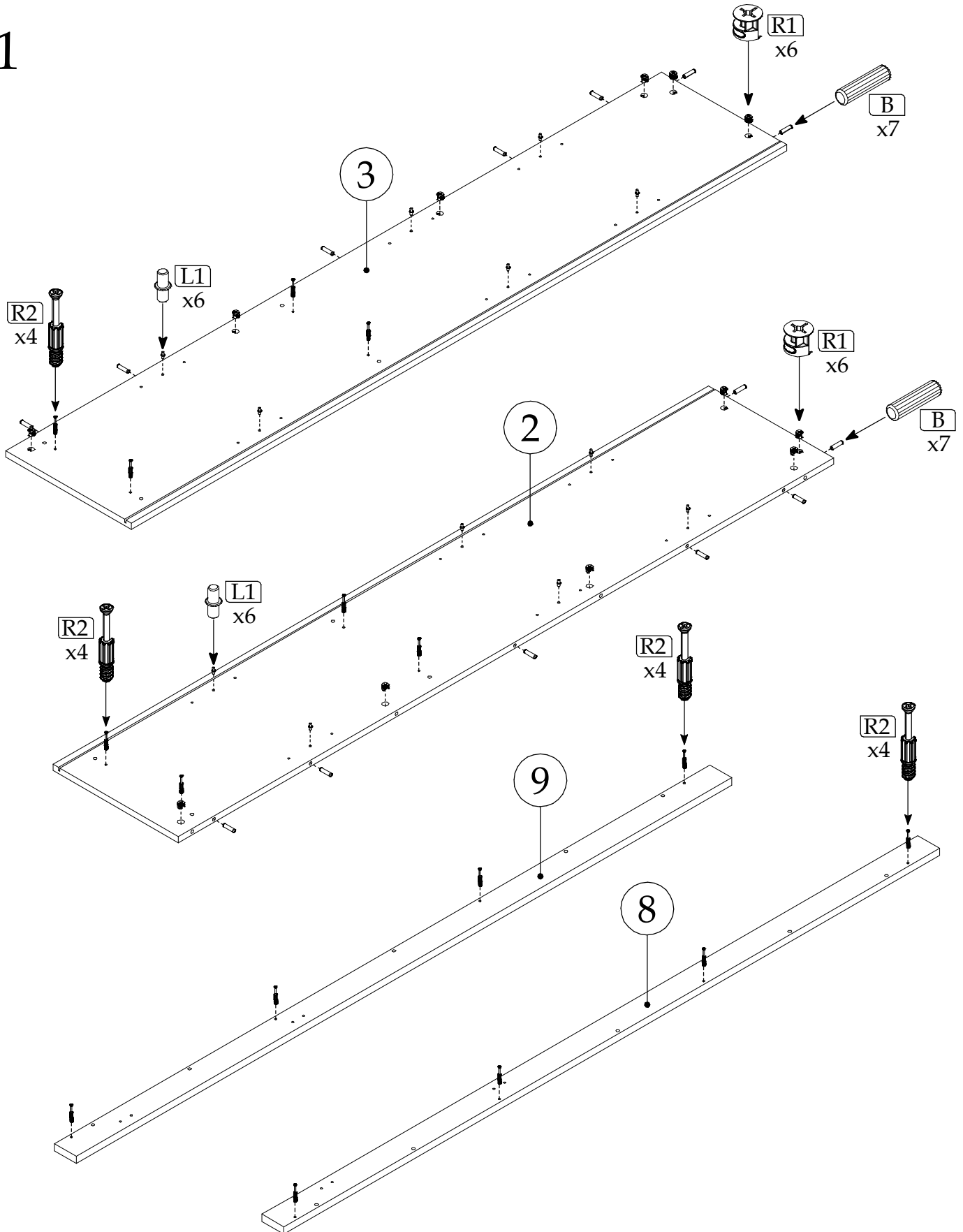


Element symbol	Measurements				Code	Paket
	1	2	3	4		
1	585	395	22	1	1002	2/2
2	1951	373	16	1	1001	1/2
3	1951	373	16	1	1007	1/2
4	551	353	16	1	1008	1/2
5	551	345	16	3		1/2
6	1888	284.5	3	2		1/2
7	713	450	19	1		2/2
8	1951	65	19	1		1/2
9	1951	65	19	1		1/2

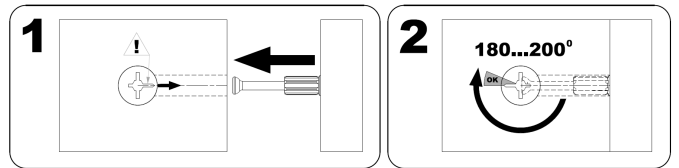
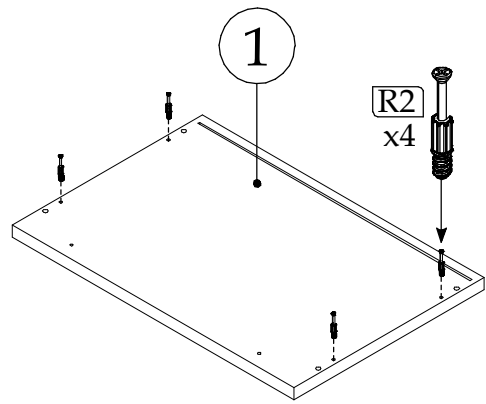
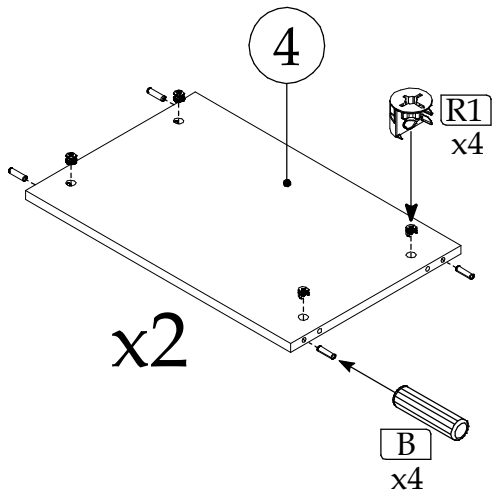




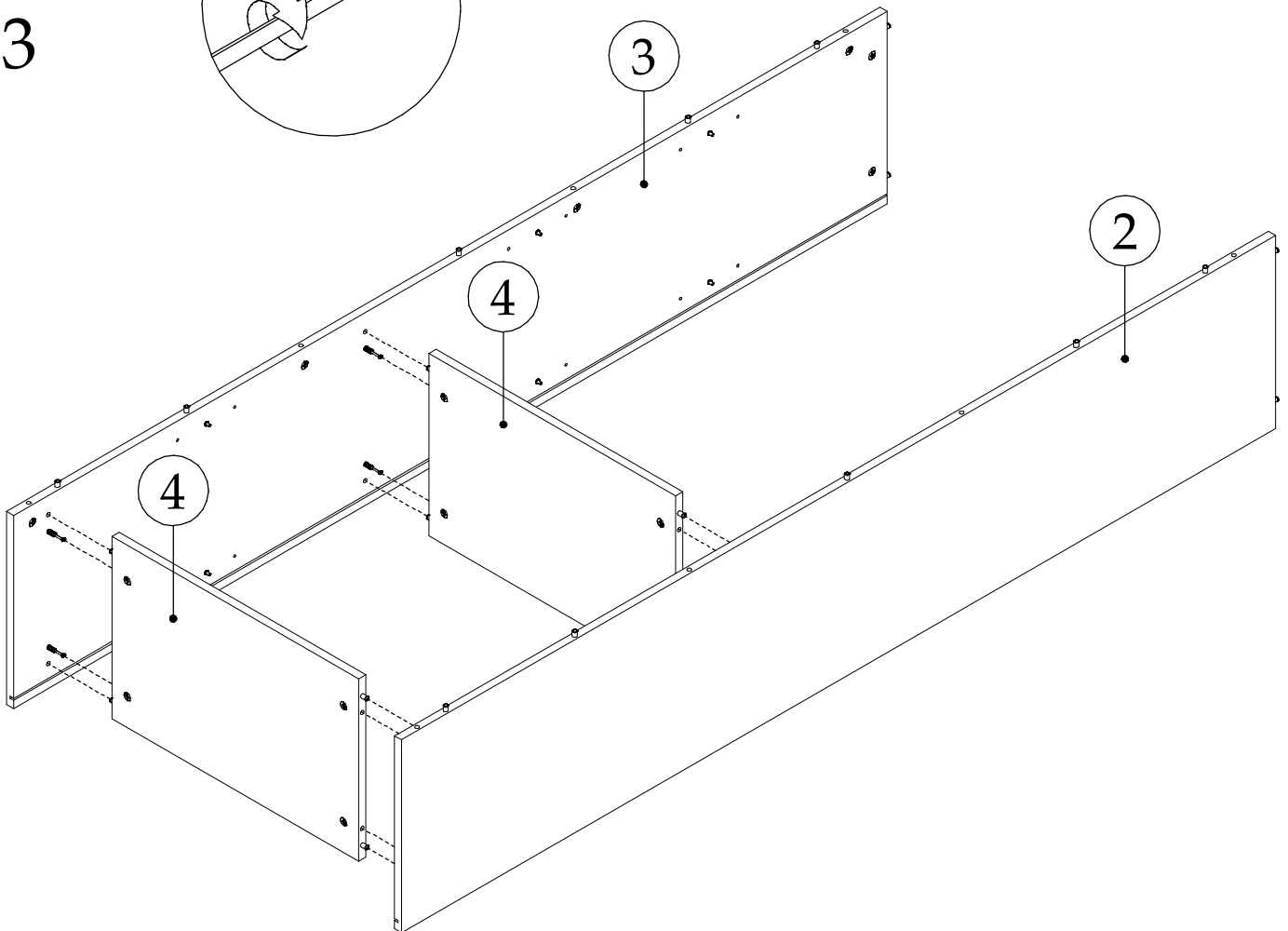
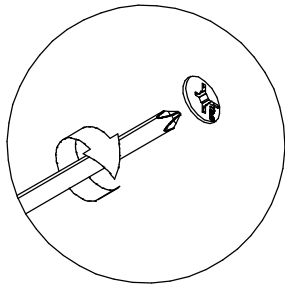
▶ 1



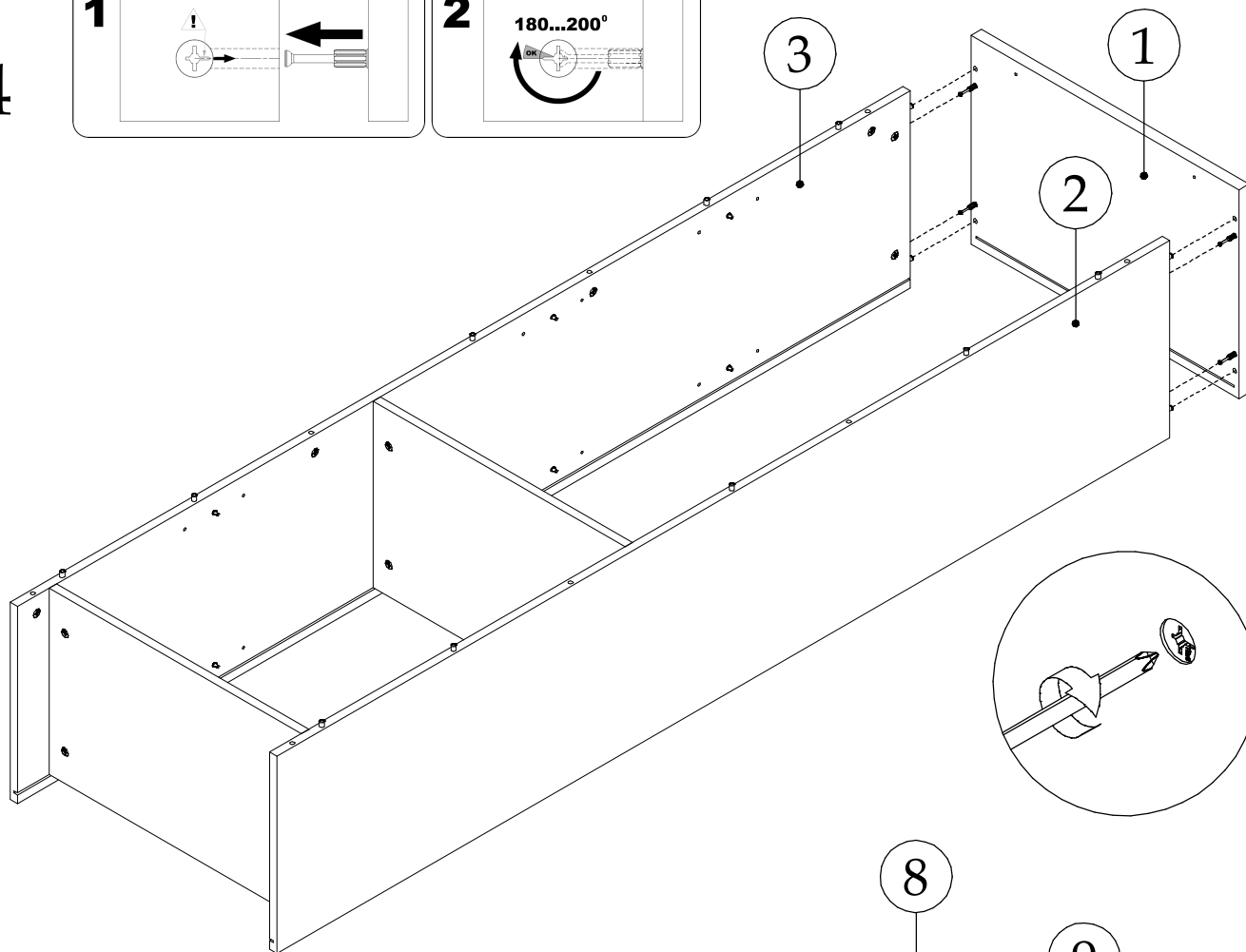
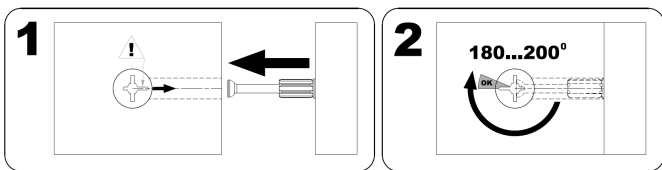
▶ 2



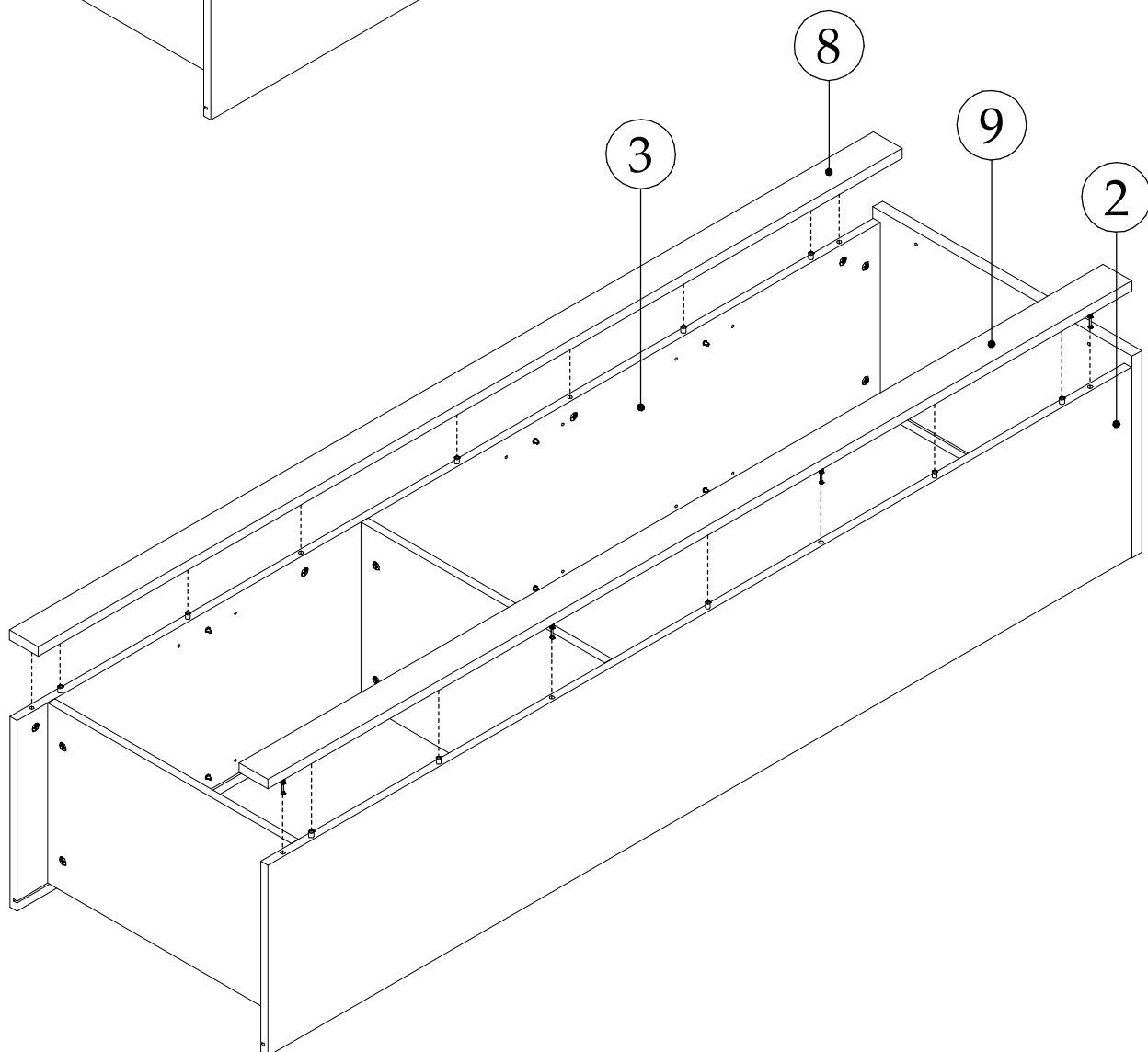
▶ 3



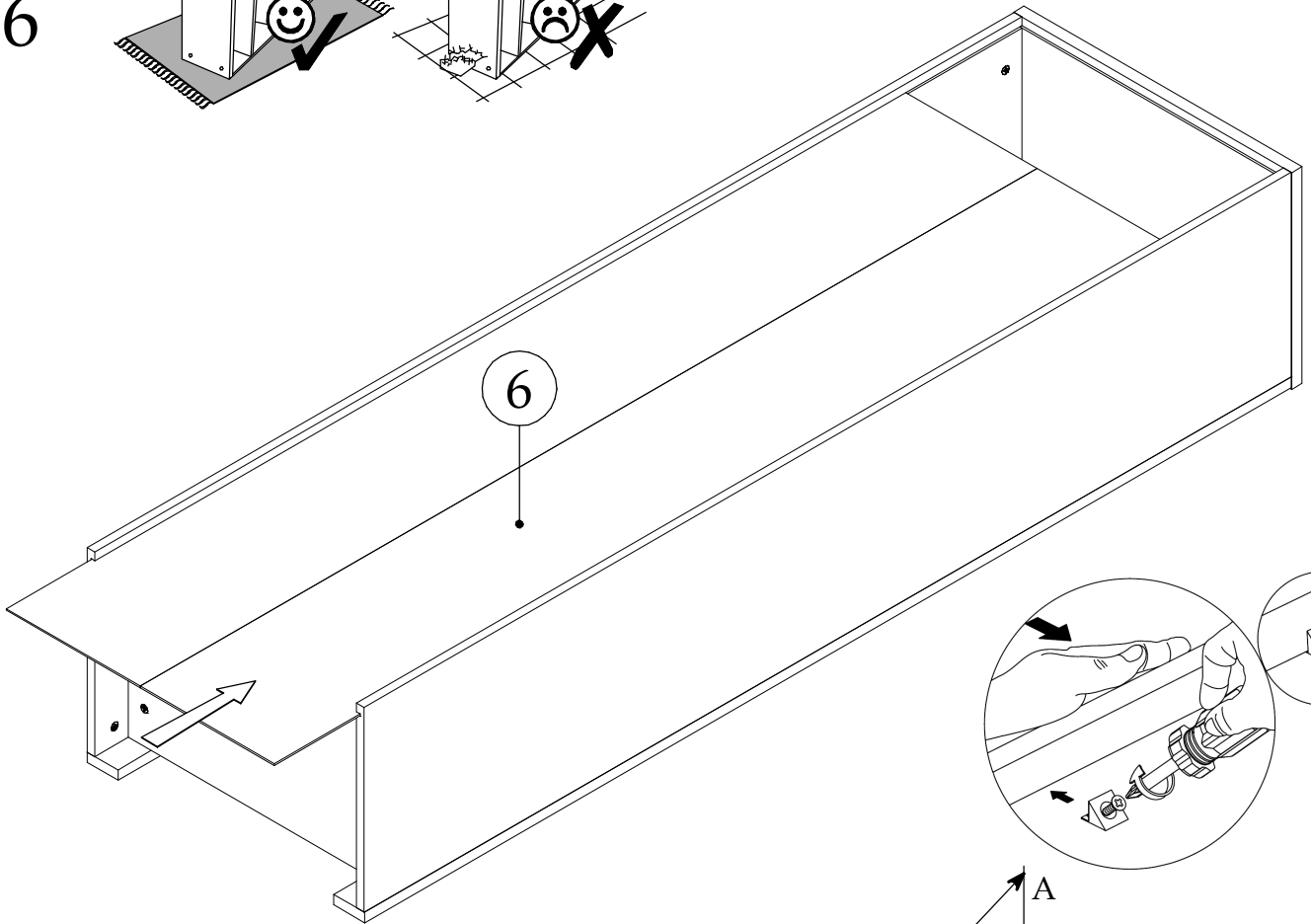
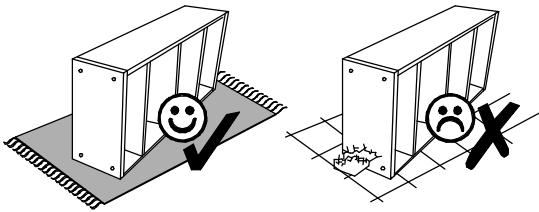
▶ 4



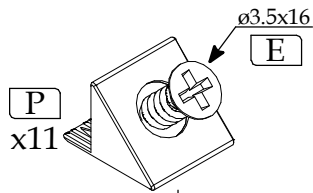
▶ 5



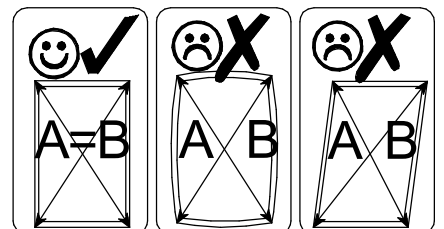
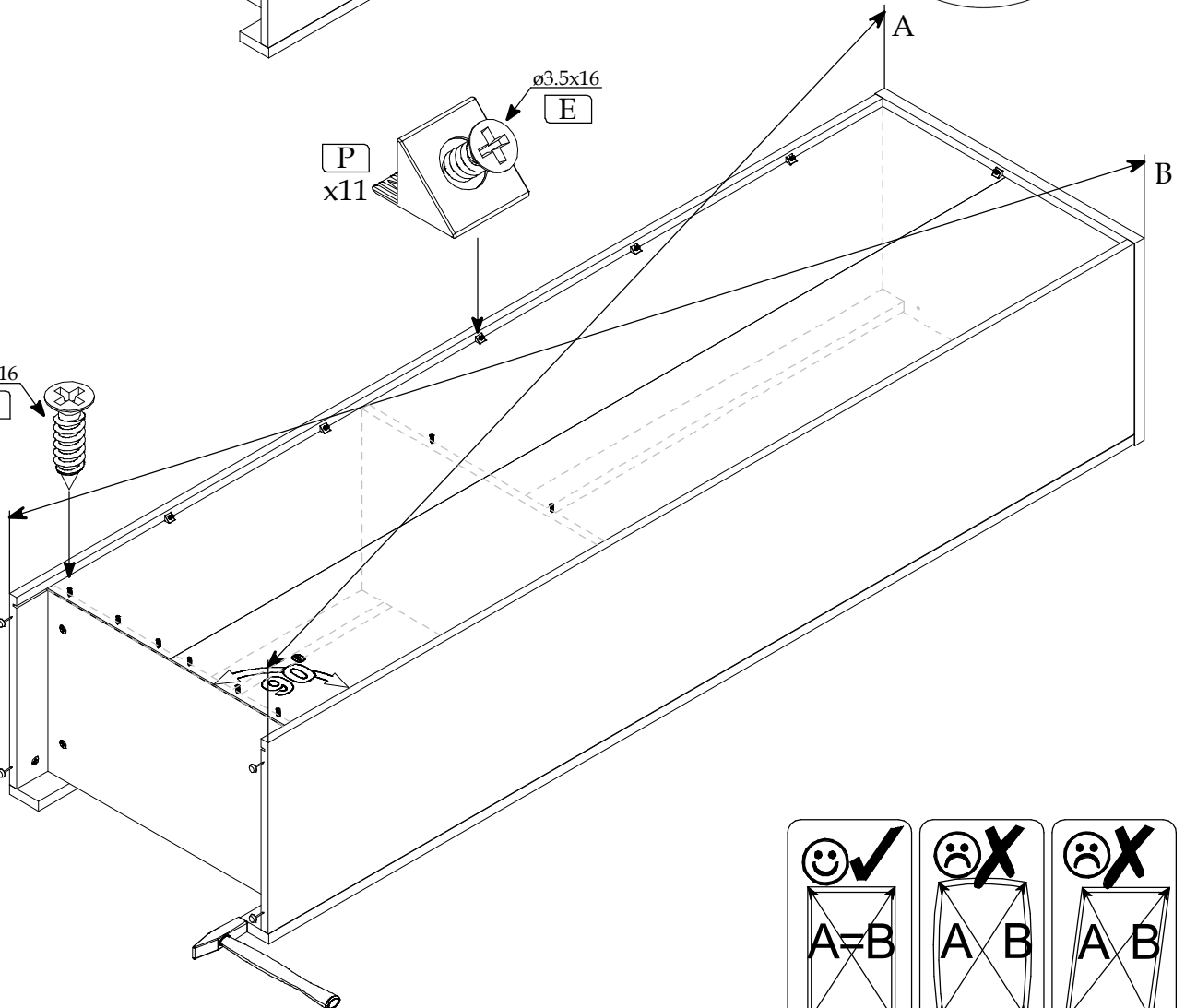
▶ 6



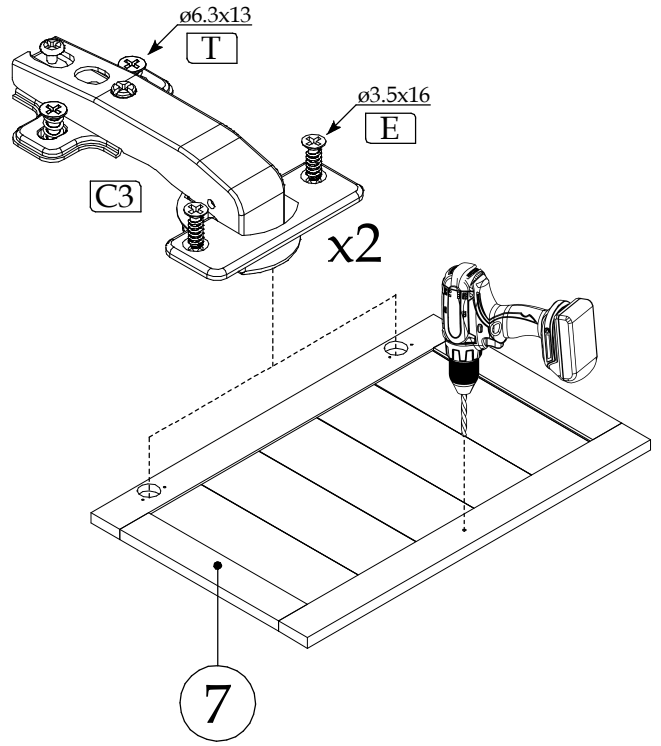
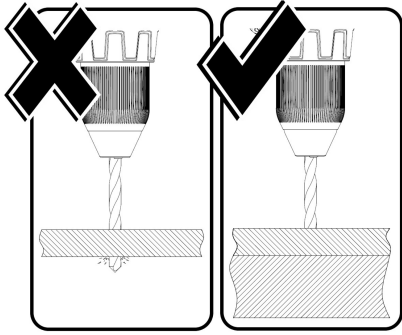
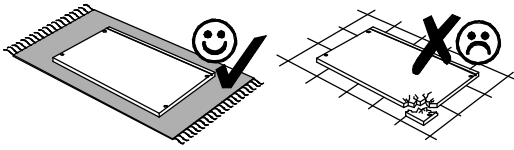
▶ 7



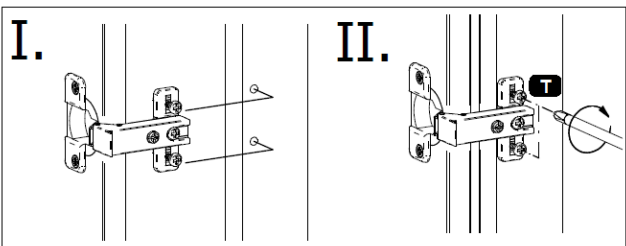
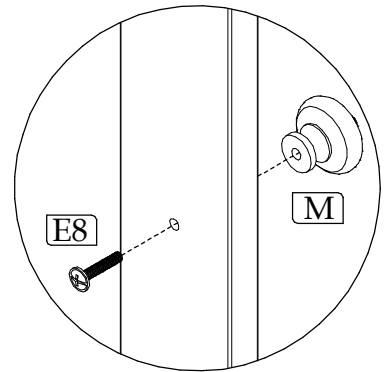
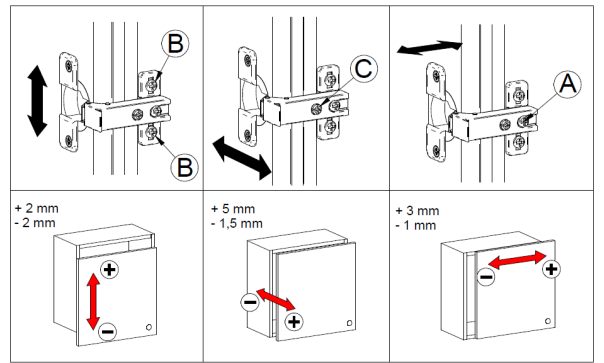
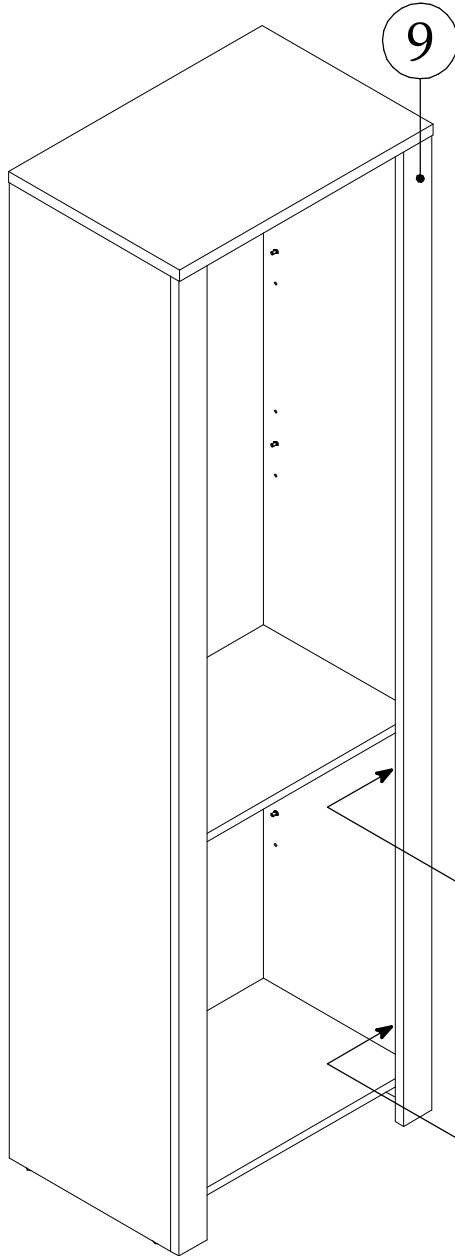
ø3.5x16
E



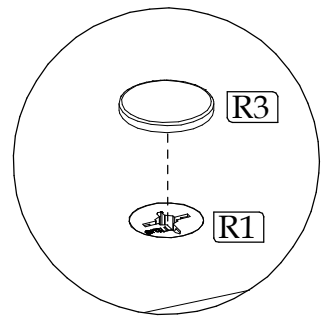
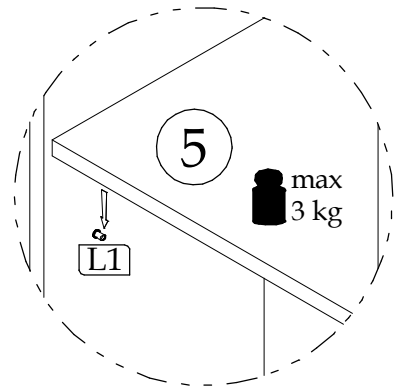
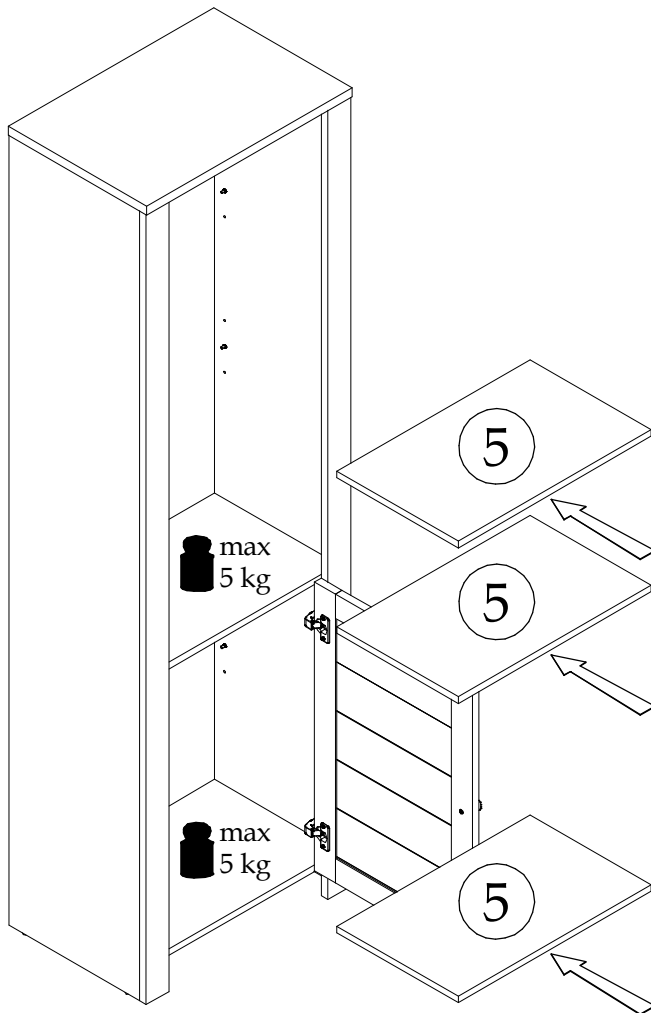
8



9



▶ 10



▶ 11

