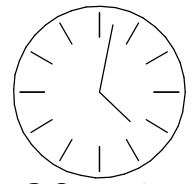
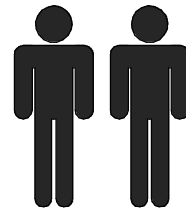
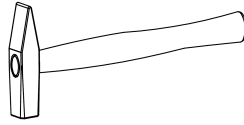
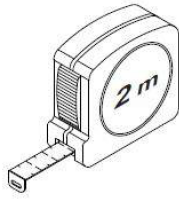
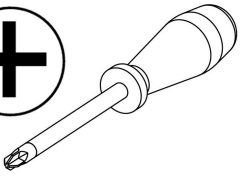
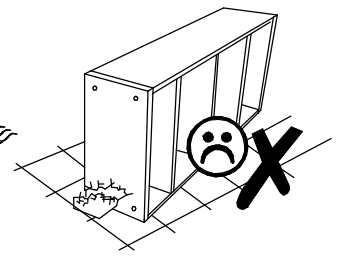
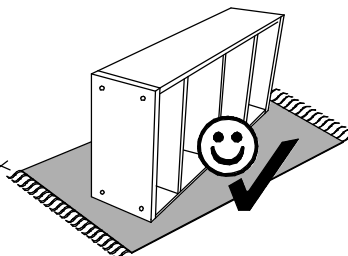
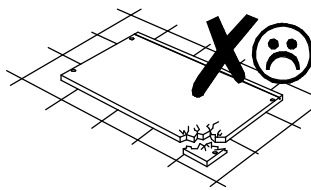
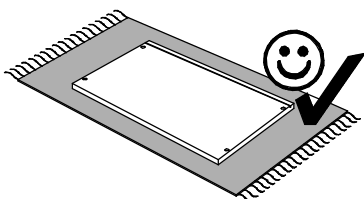
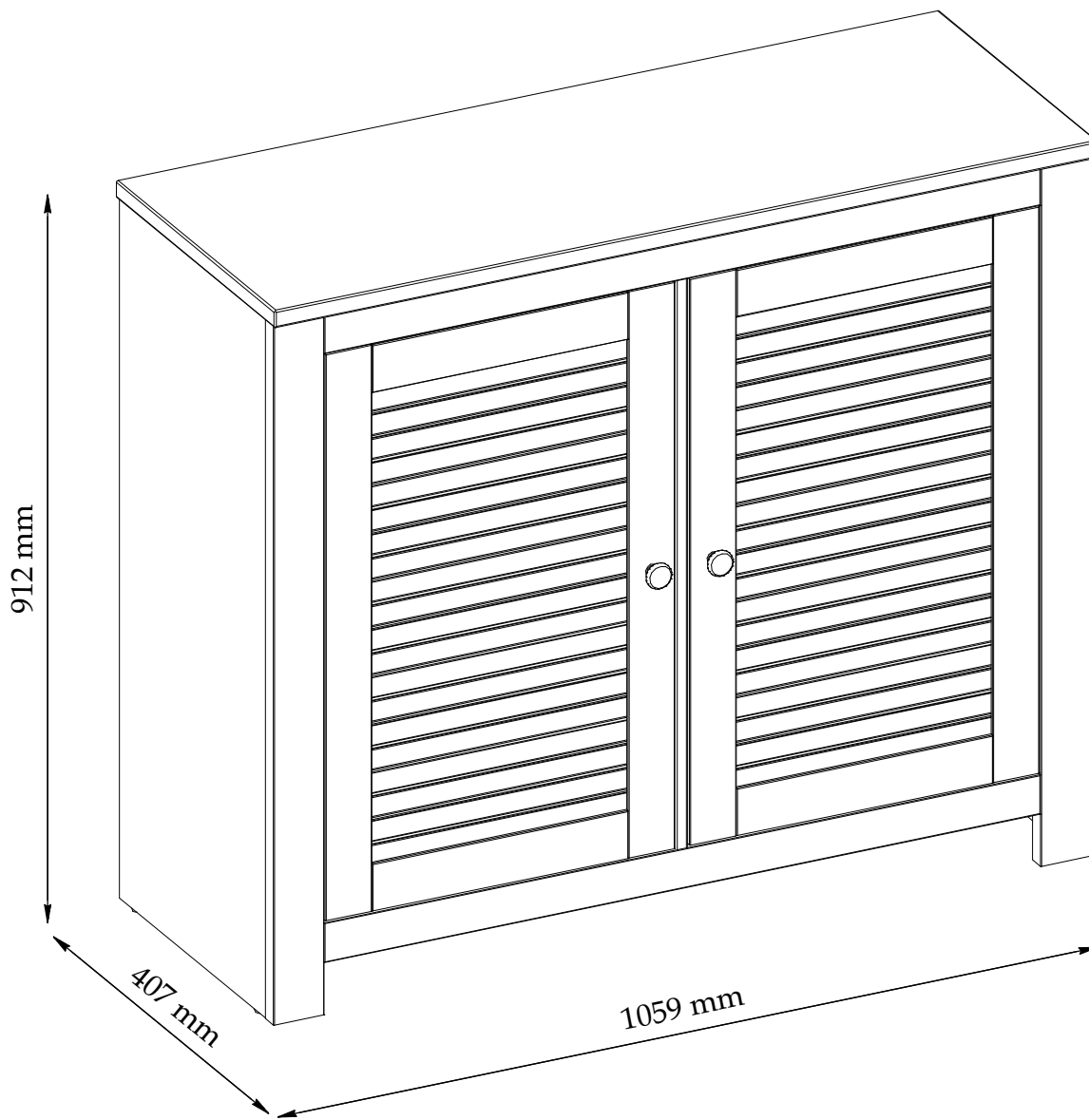
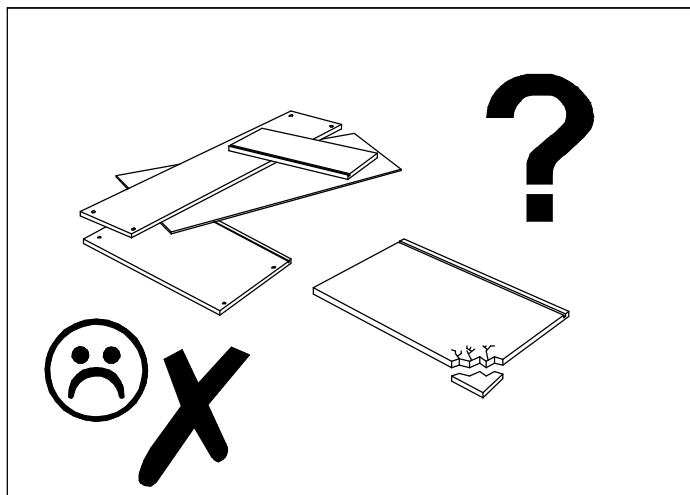
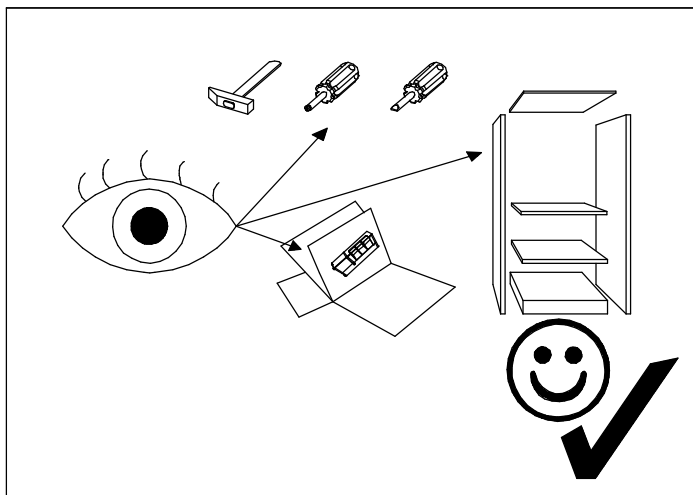
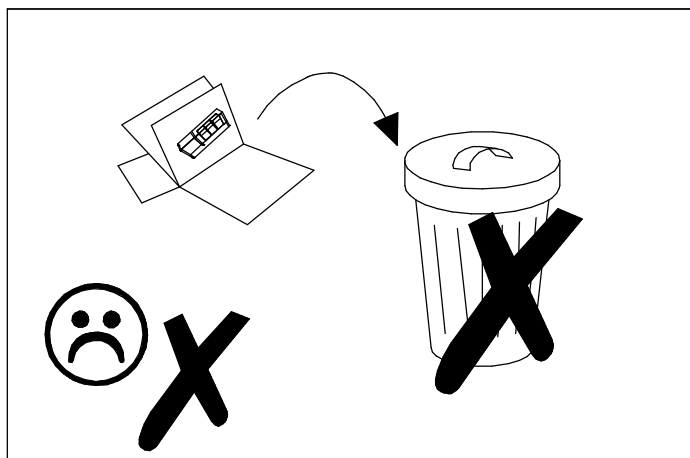
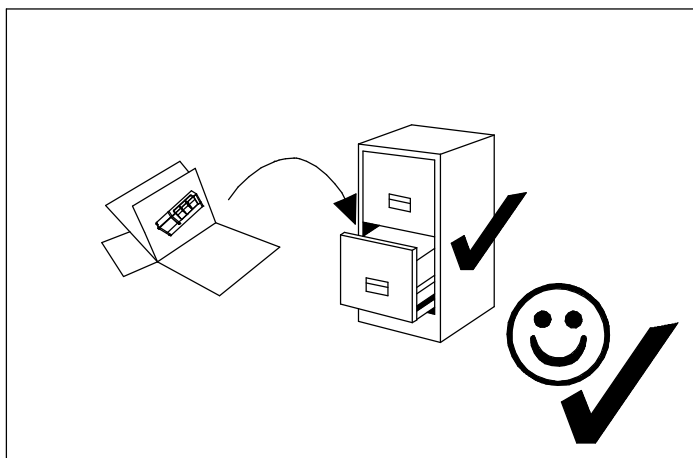
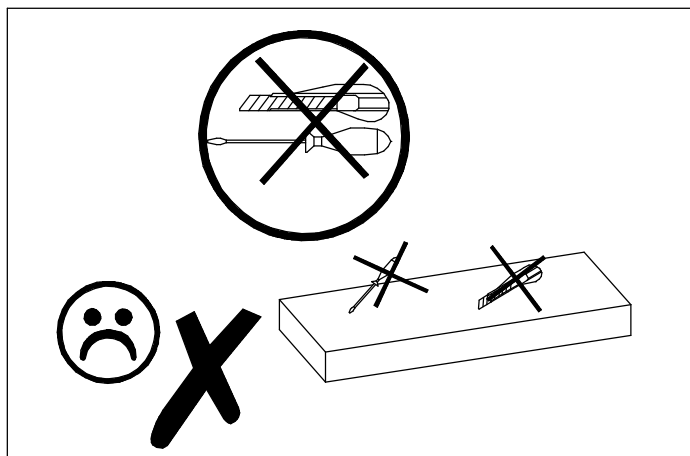
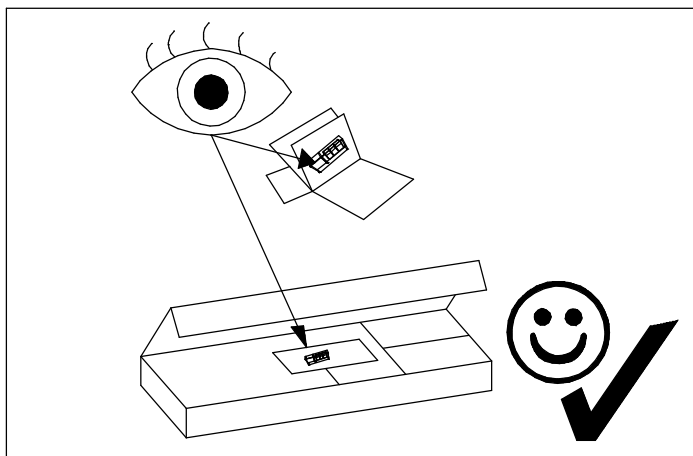


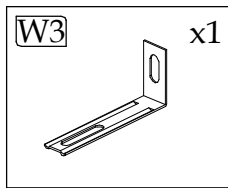
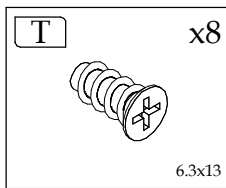
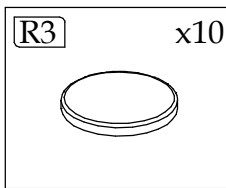
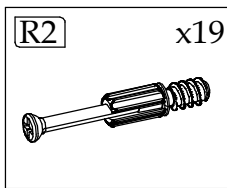
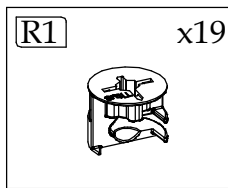
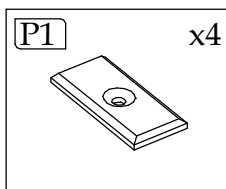
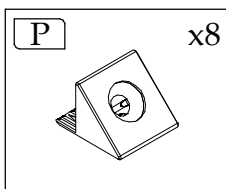
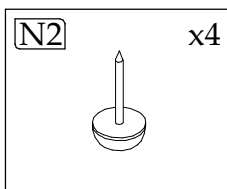
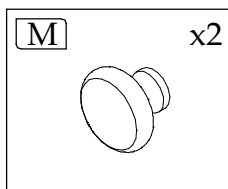
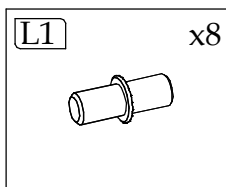
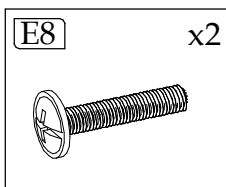
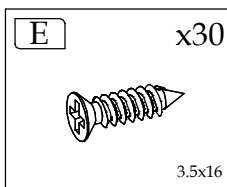
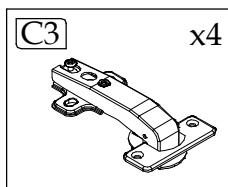
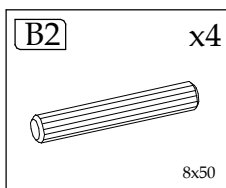
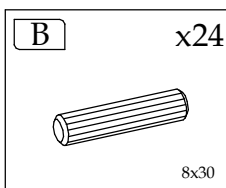
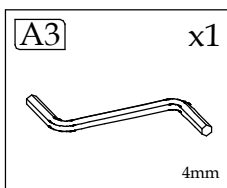
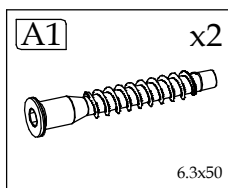
Sky 28 commmode 2d



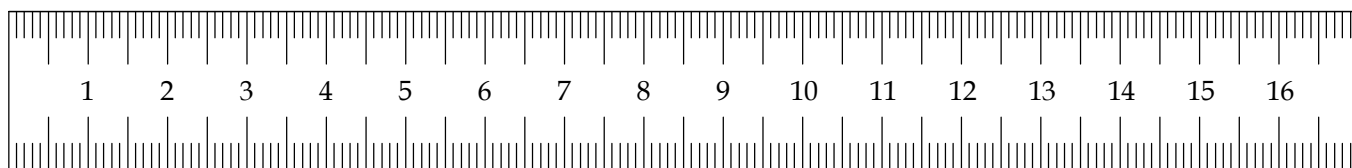
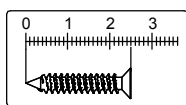
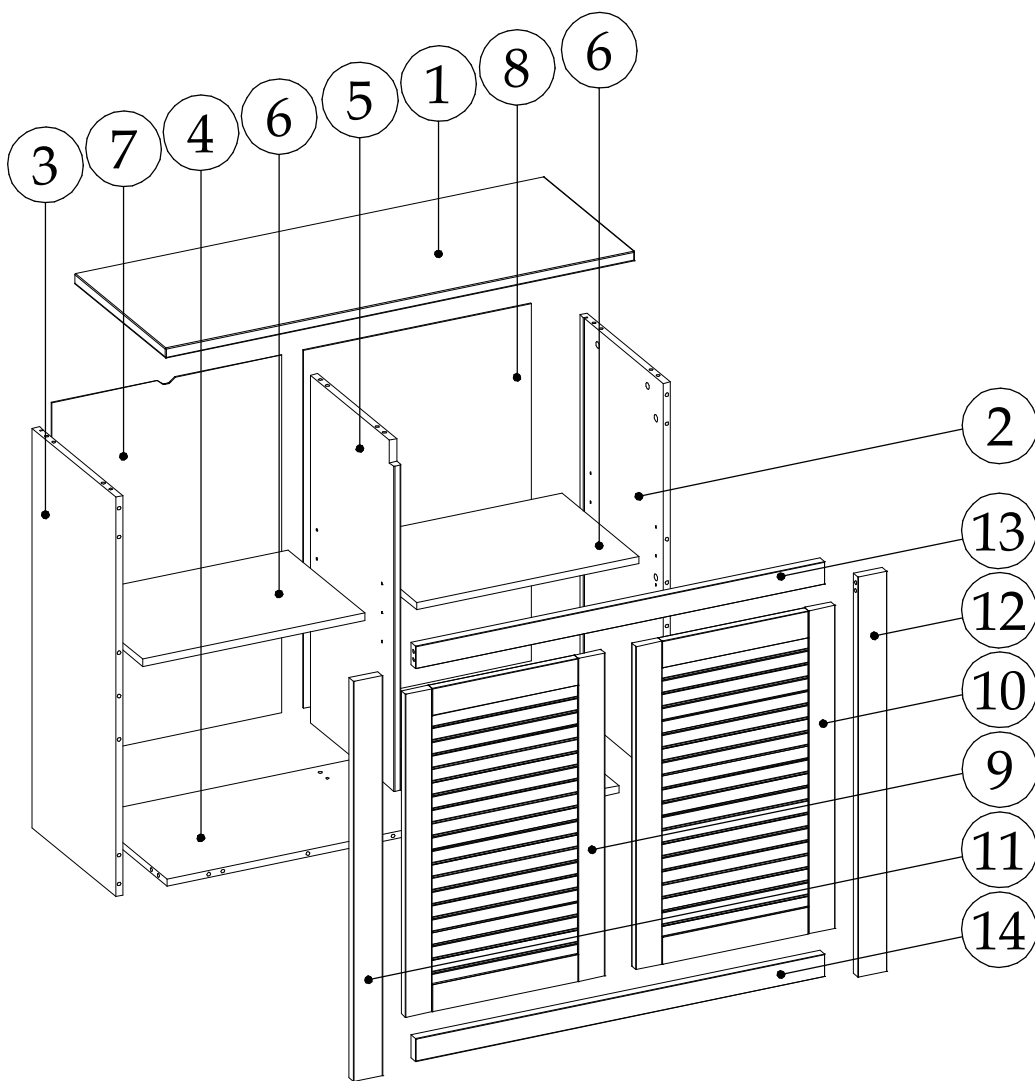
80 min

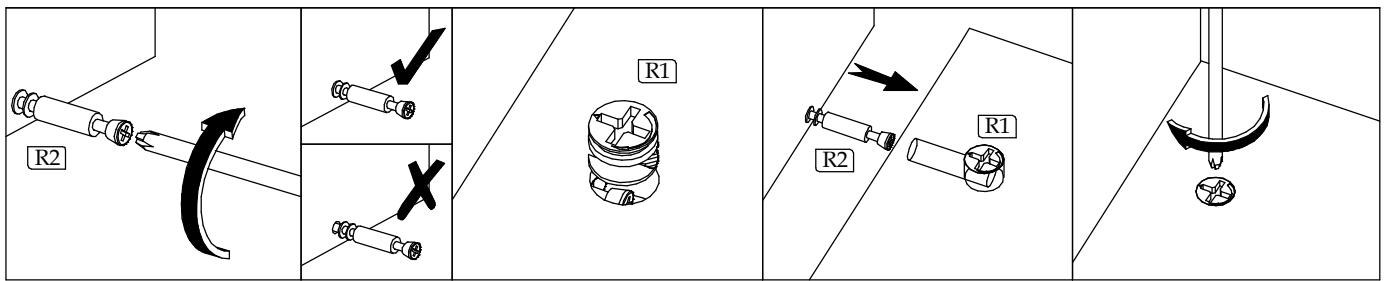




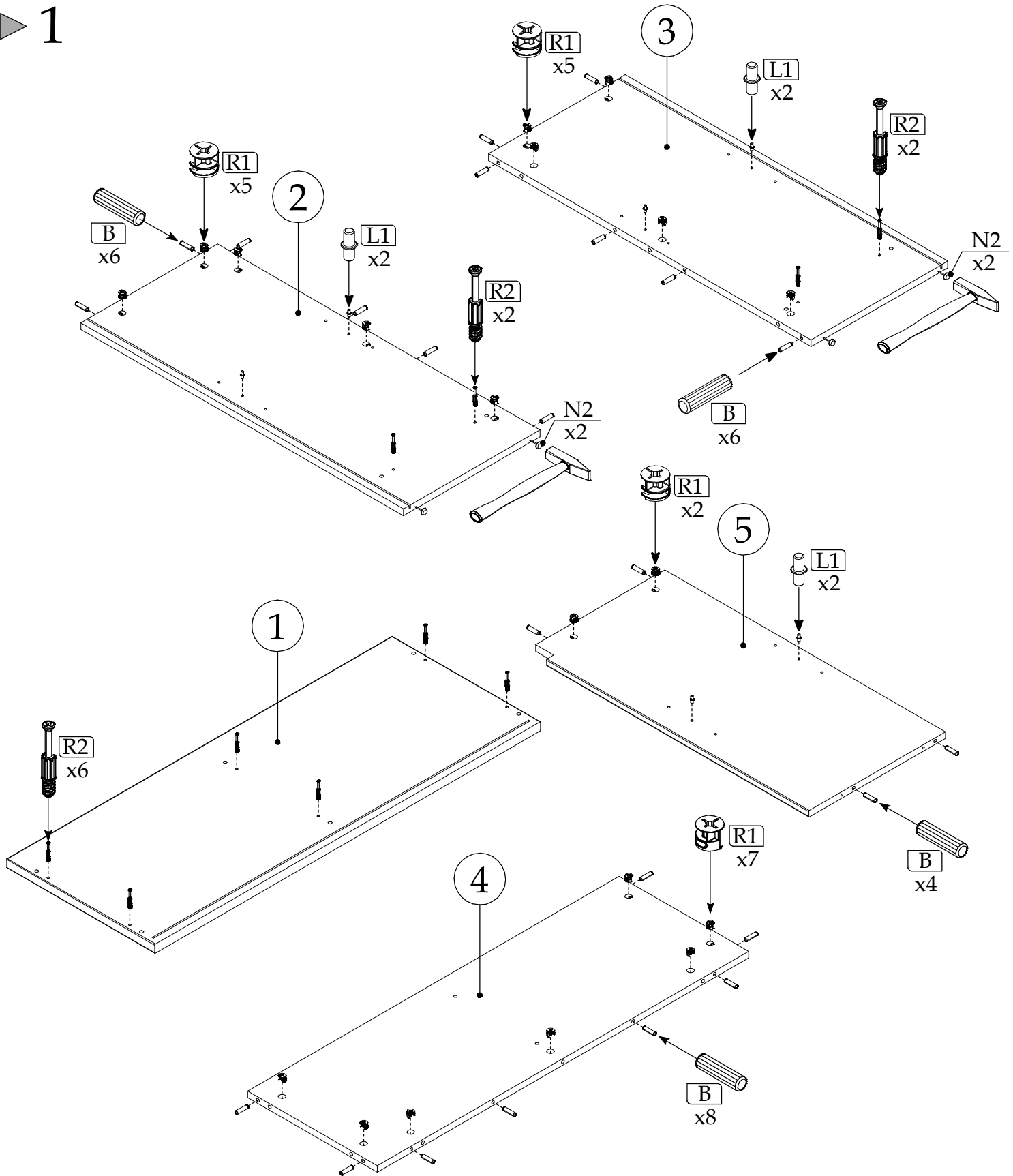


| Element symbol | Measurements | | | | Code | Paket |
|----------------|--------------|-------|----|---|------|-------|
| | | | | | | |
| 1 | 1059 | 407 | 22 | 1 | 1004 | 2/2 |
| 2 | 885 | 375 | 16 | 1 | 1003 | 2/2 |
| 3 | 885 | 375 | 16 | 1 | 1004 | 2/2 |
| 4 | 1019 | 355 | 16 | 1 | 1005 | 2/2 |
| 5 | 769.5 | 375 | 16 | 1 | 1027 | 2/2 |
| 6 | 501 | 353.5 | 16 | 2 | N/A | 2/2 |
| 7 | 792 | 516 | 3 | 1 | 1006 | 1/2 |
| 8 | 792 | 516 | 3 | 1 | N/A | 1/2 |
| 9 | 715 | 450 | 19 | 1 | 3001 | 1/2 |
| 10 | 715 | 450 | 19 | 1 | 3002 | 1/2 |
| 11 | 885 | 65 | 22 | 1 | 3003 | 1/2 |
| 12 | 885 | 65 | 22 | 1 | 3004 | 1/2 |
| 13 | 922 | 50 | 22 | 1 | 3005 | 1/2 |
| 14 | 922 | 50 | 22 | 1 | 3006 | 1/2 |

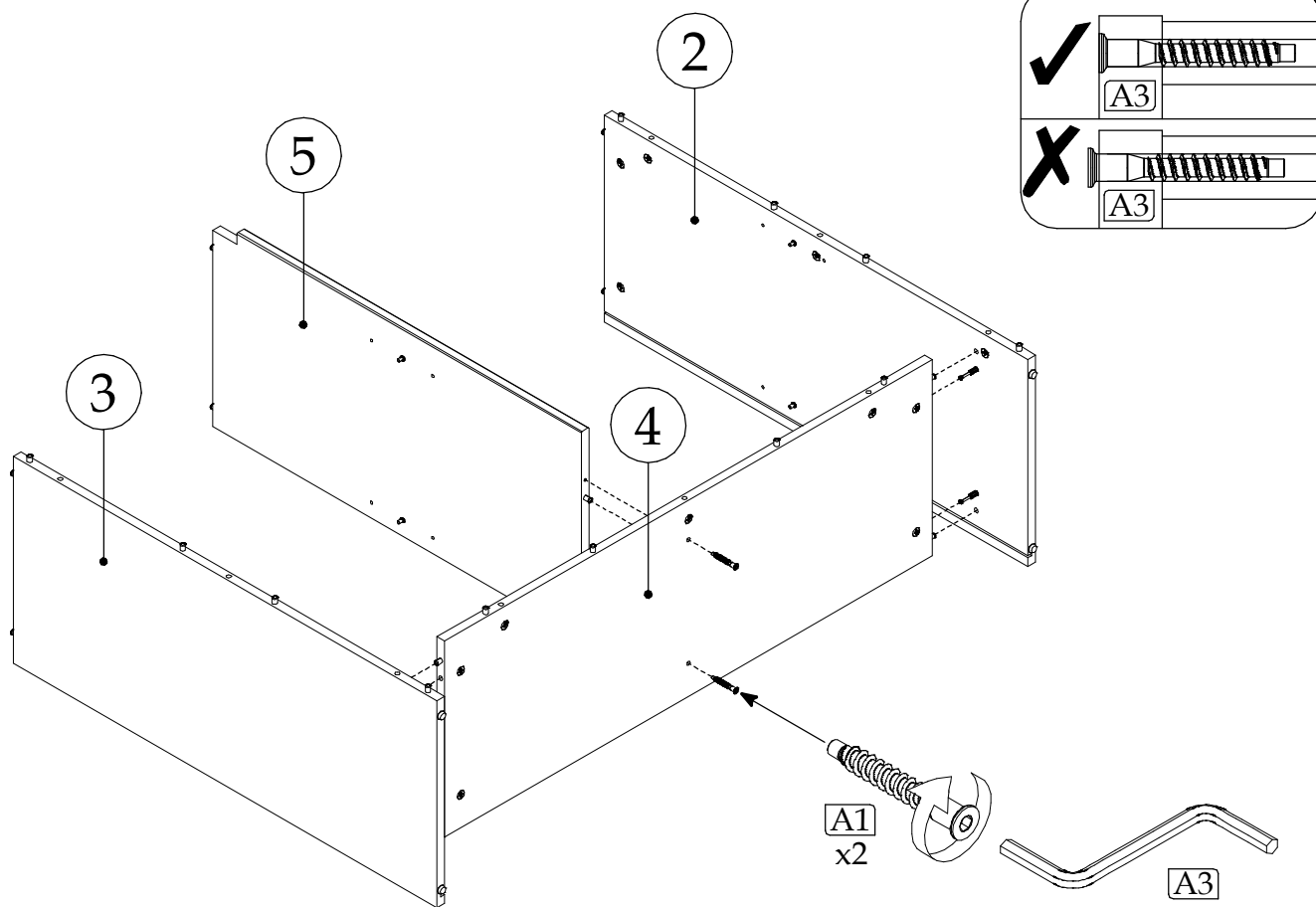




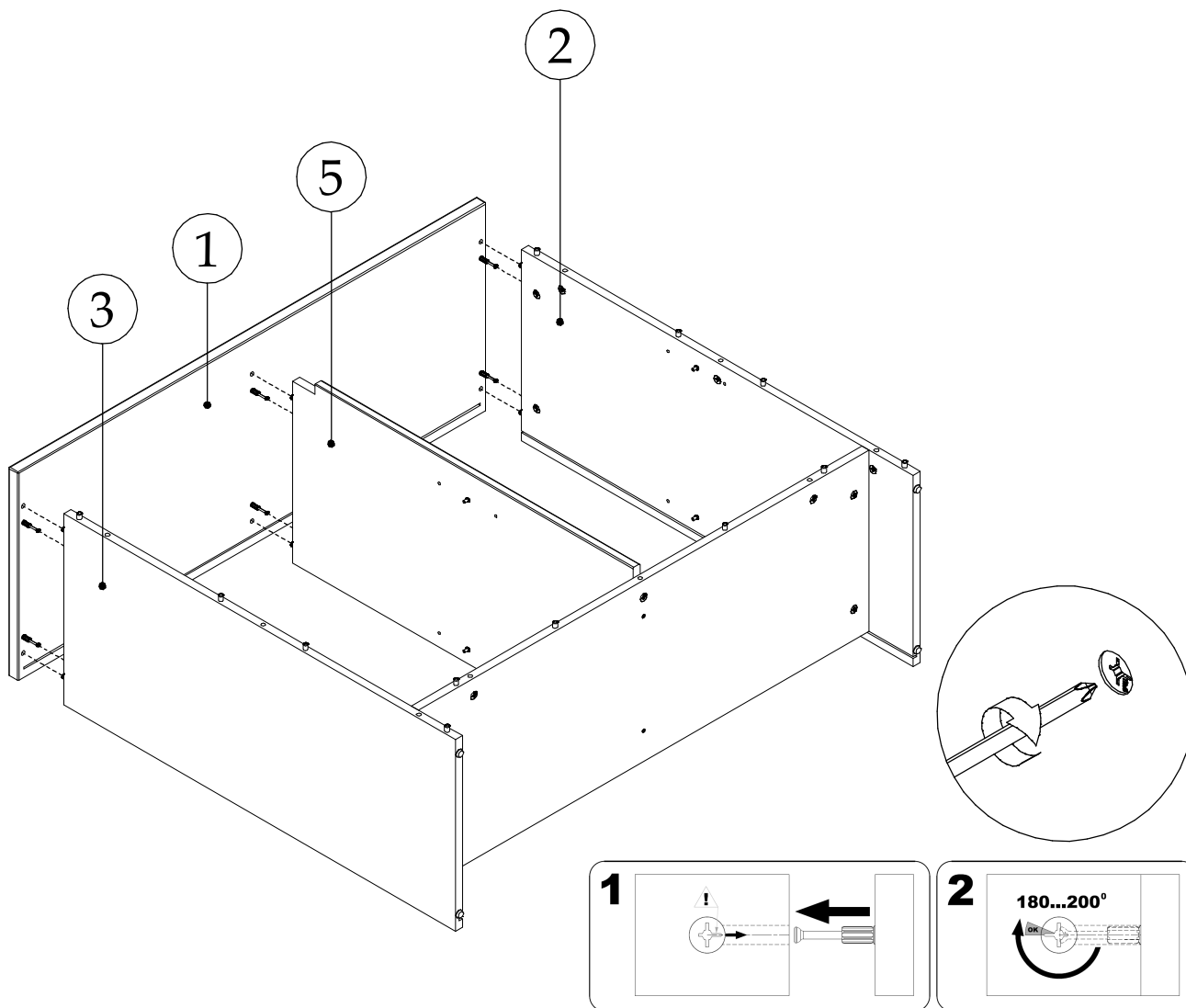
▶ 1



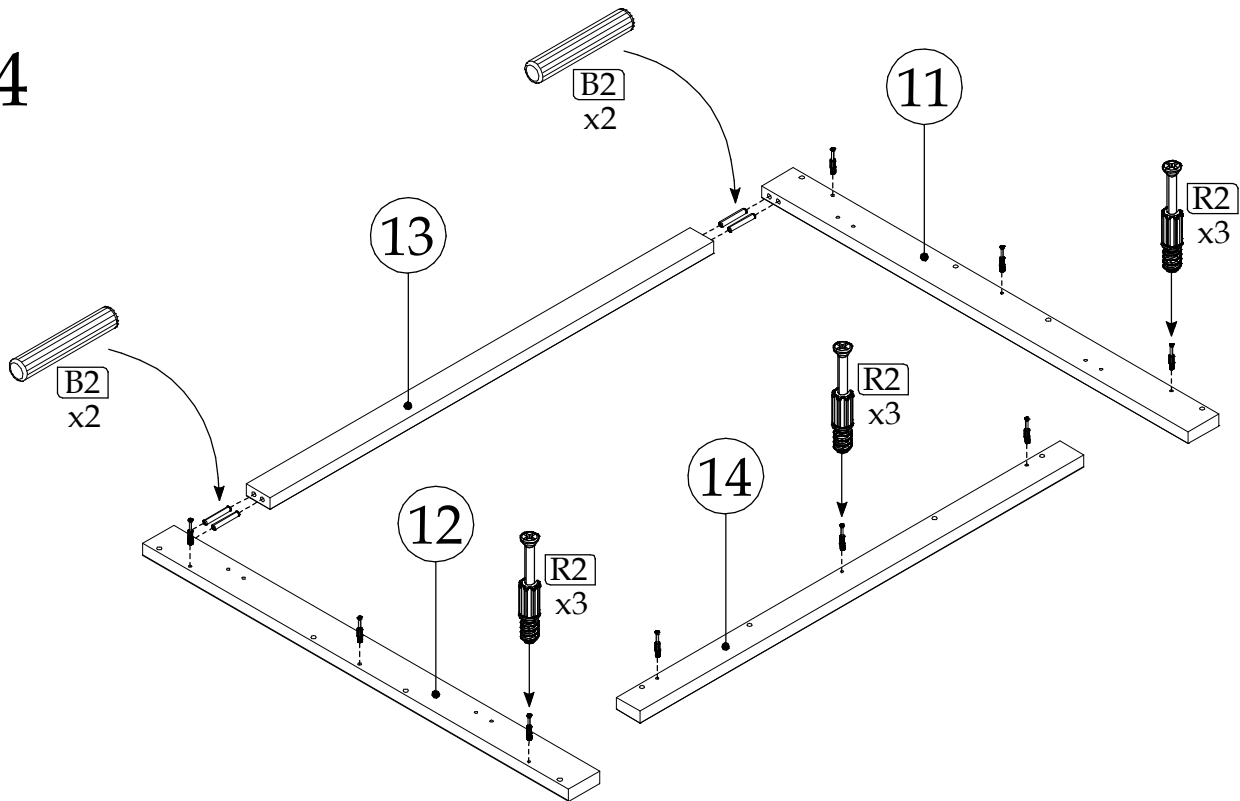
▶ 2



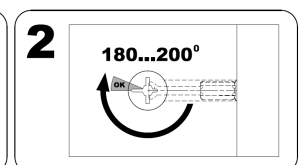
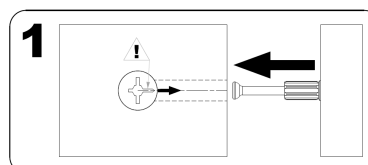
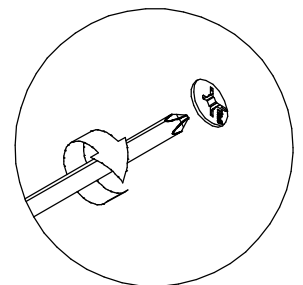
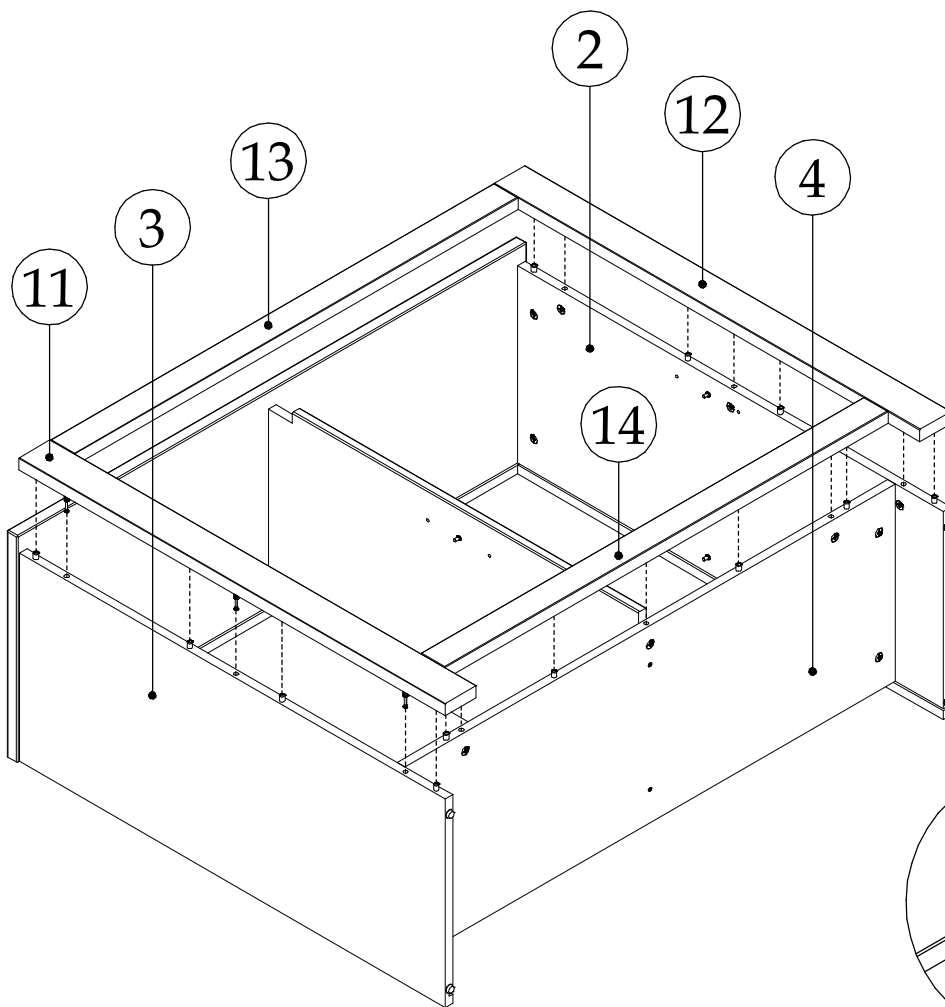
▶ 3



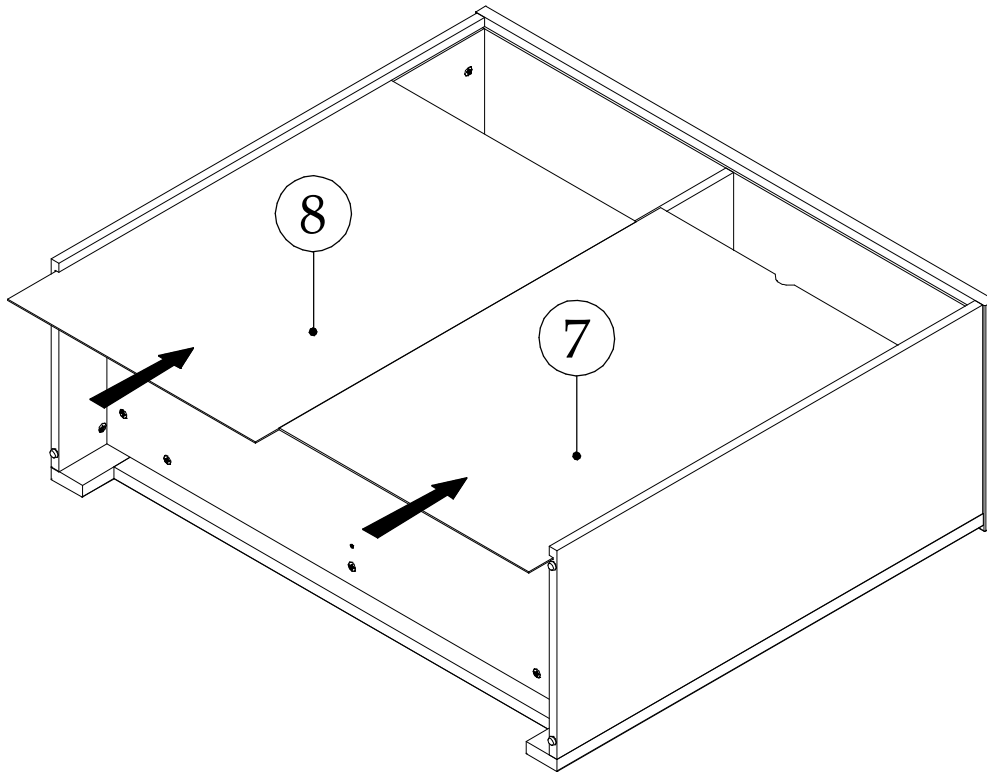
▶ 4



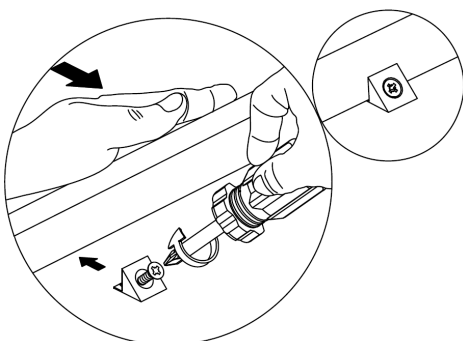
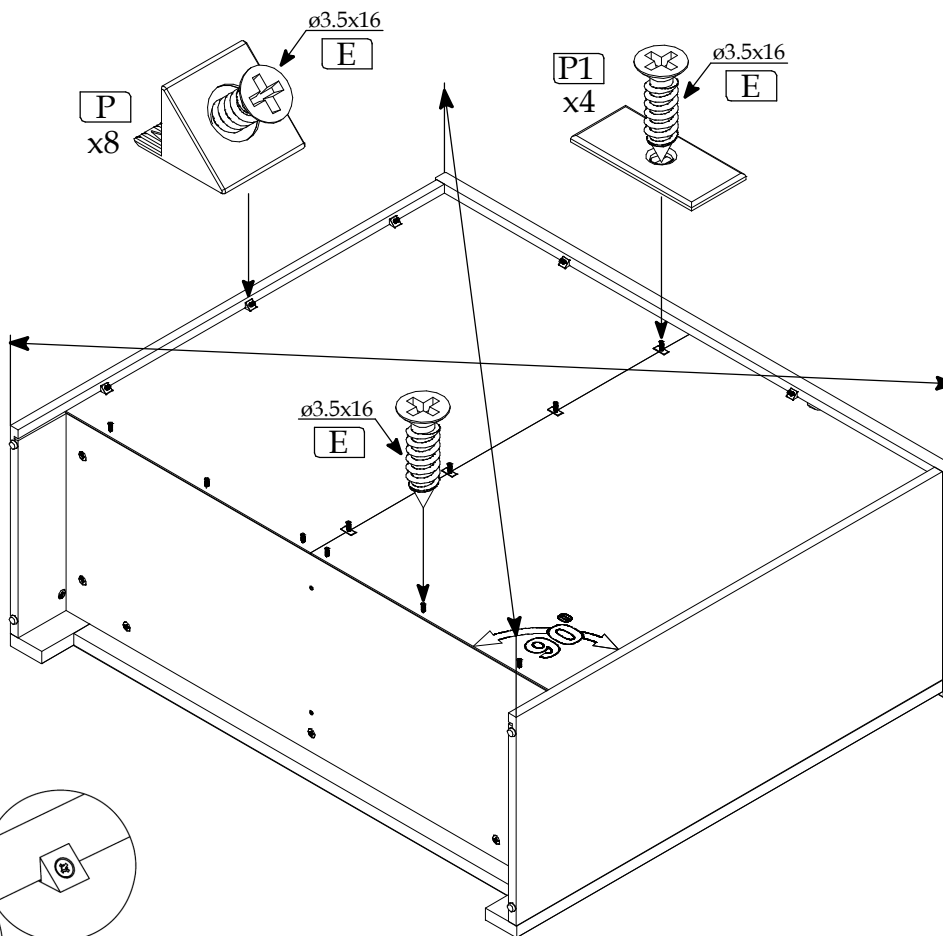
▶ 5



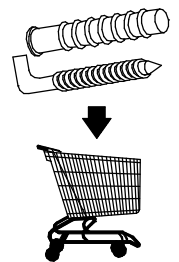
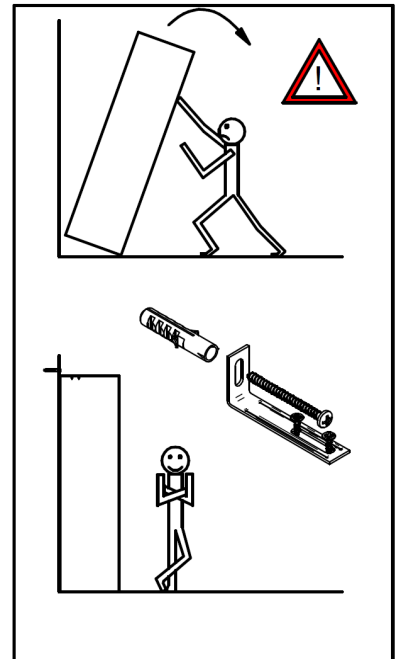
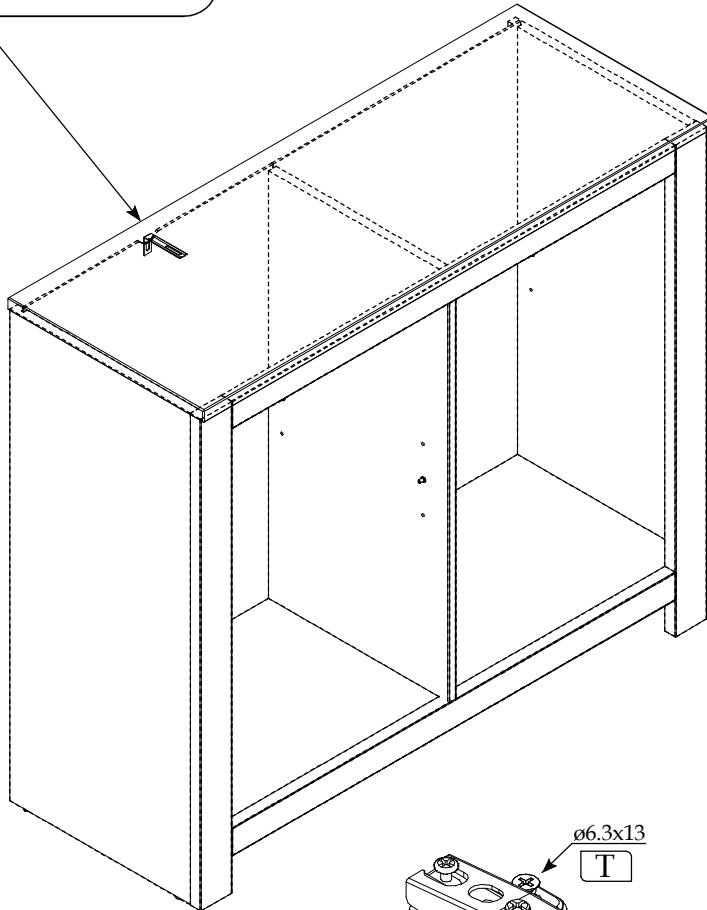
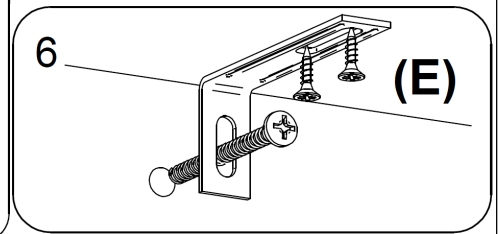
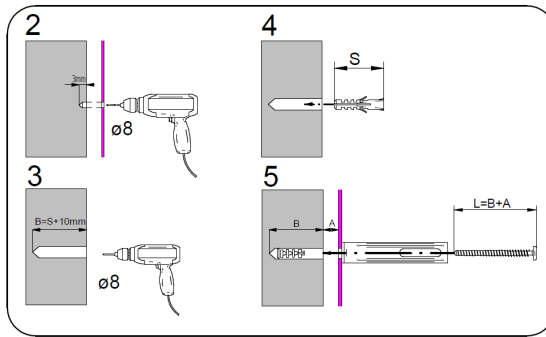
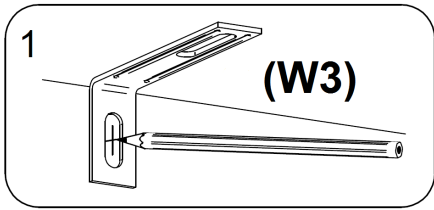
▶ 6



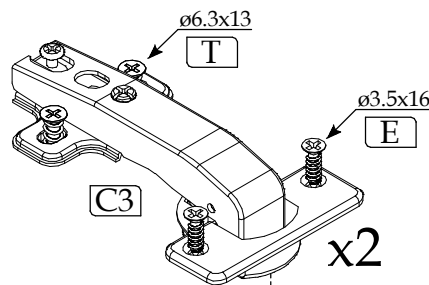
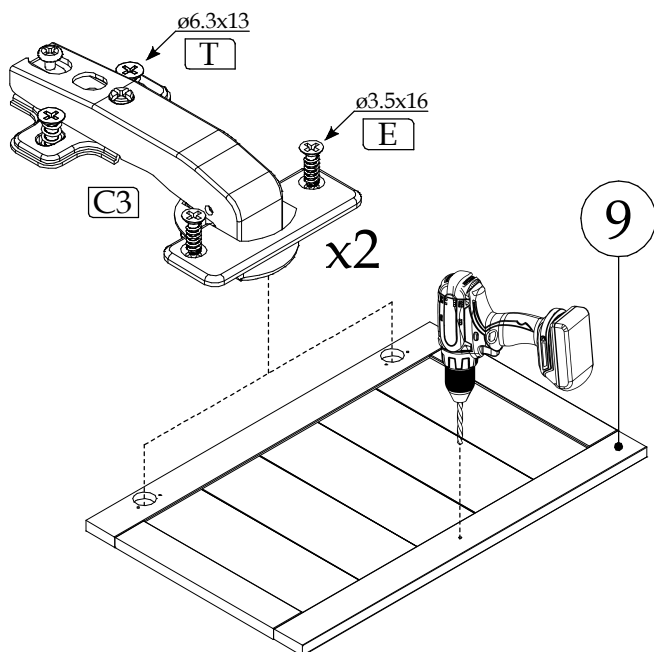
▶ 7



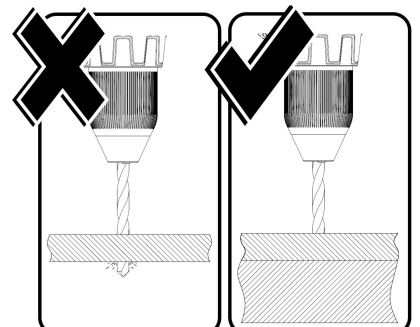
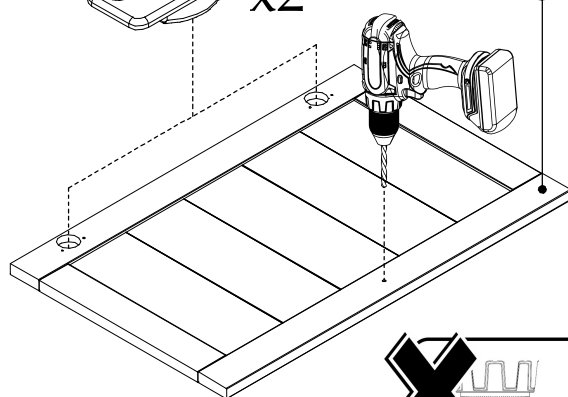
8



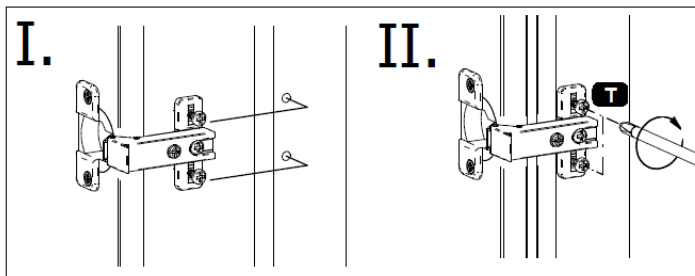
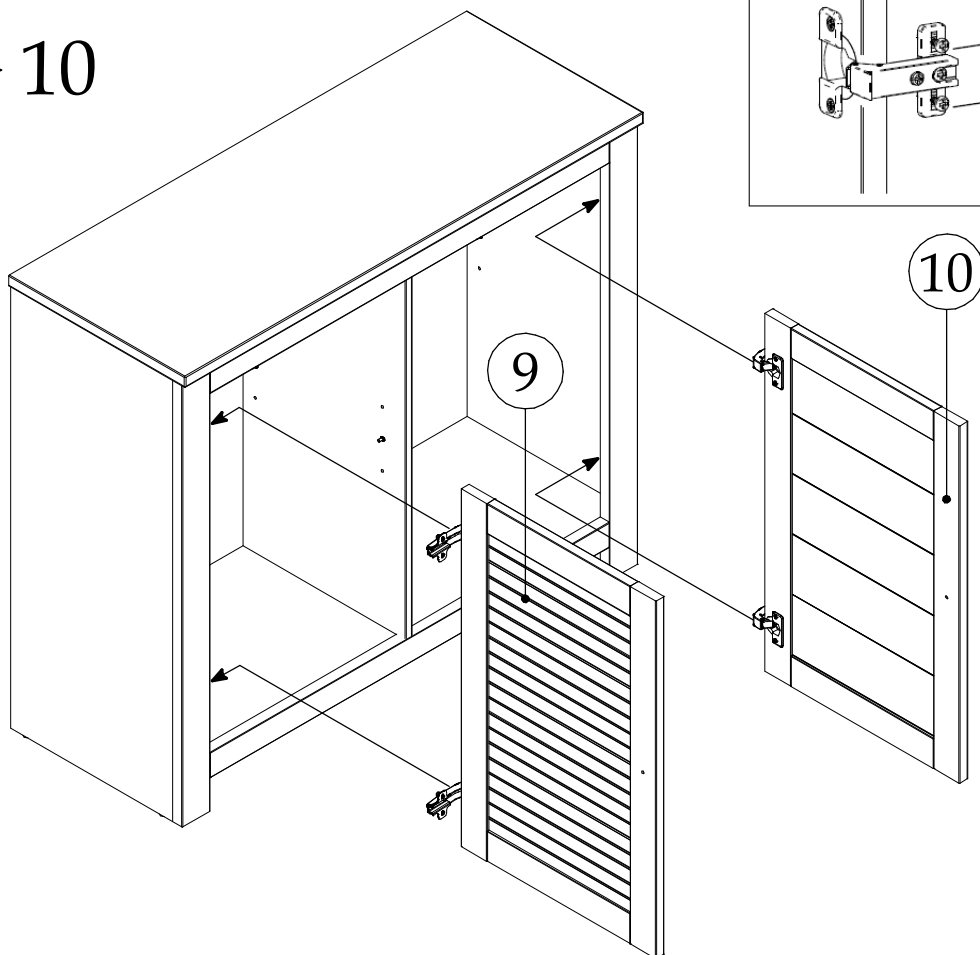
9



10



▶ 10



▶ 11

