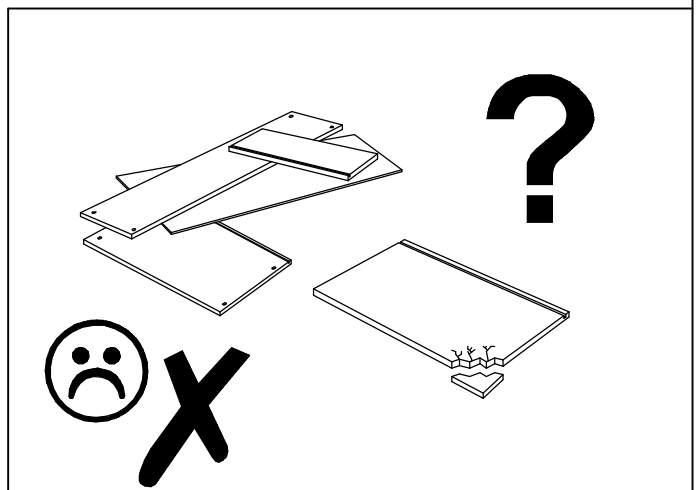
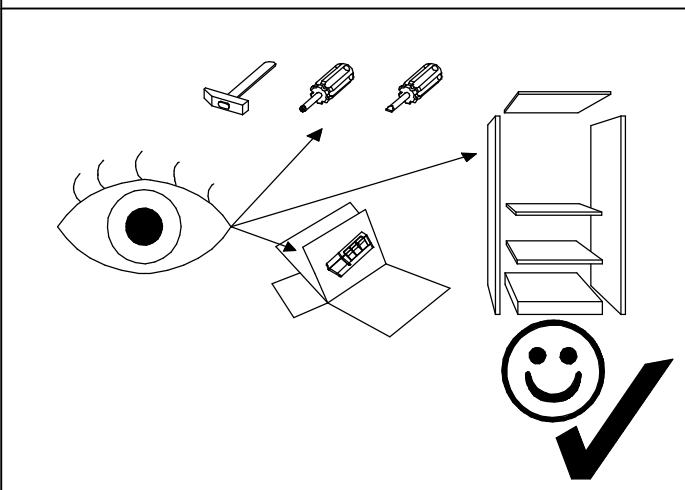
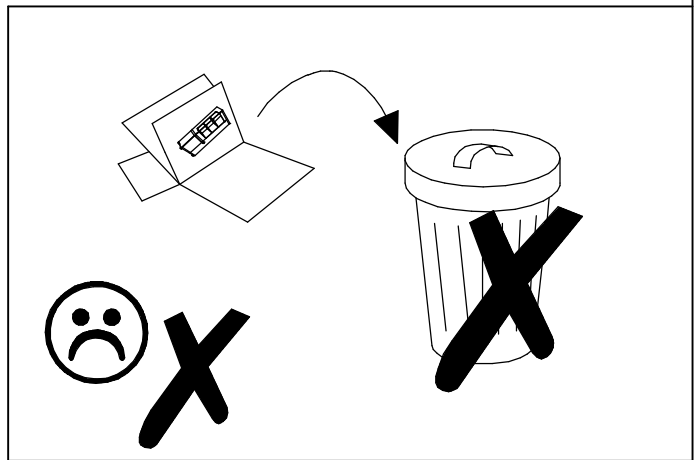
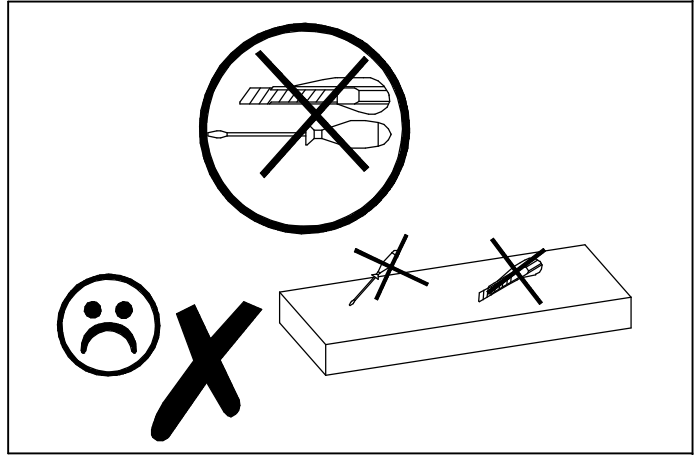
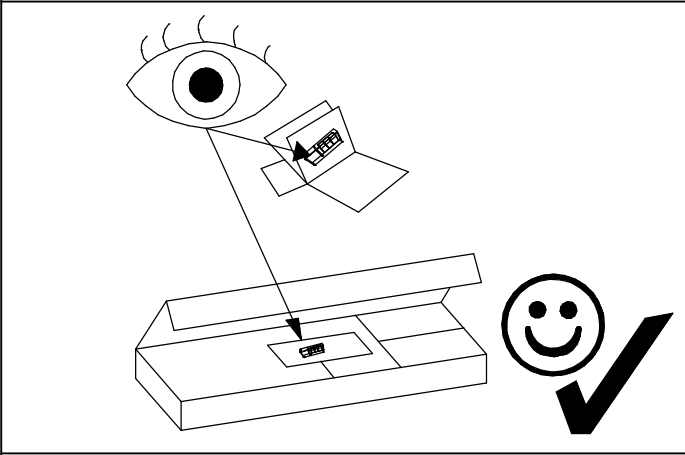
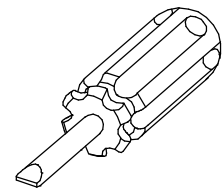
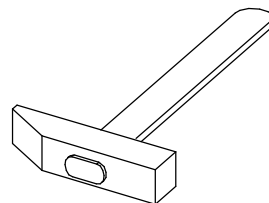
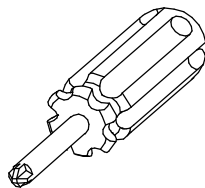
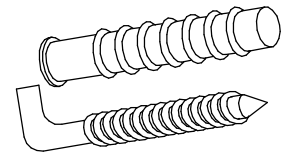
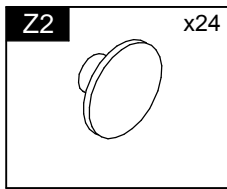
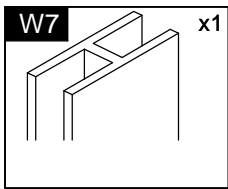
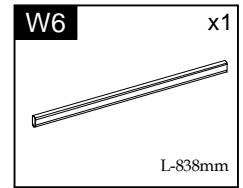
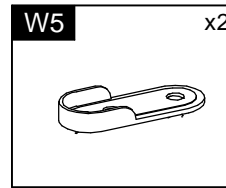
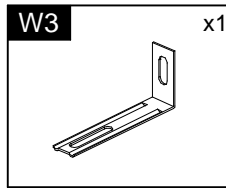
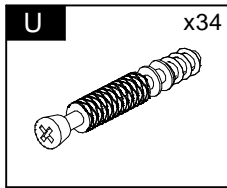
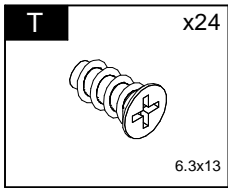
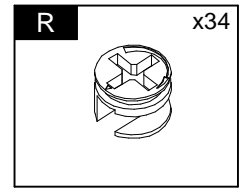
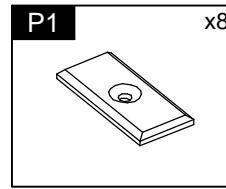
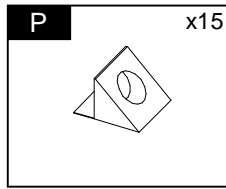
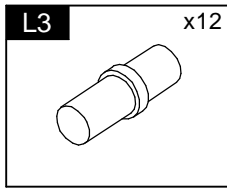
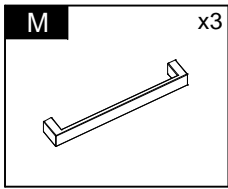
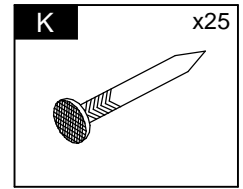
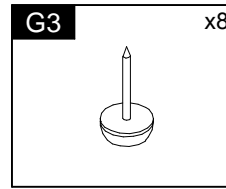
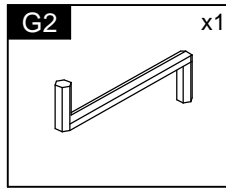
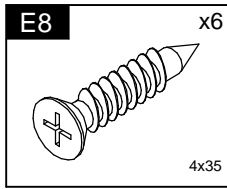
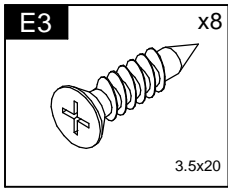
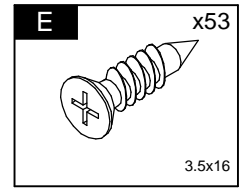
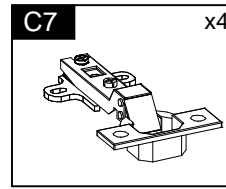
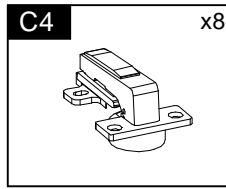
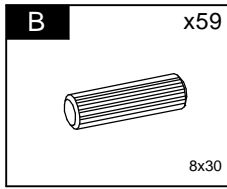
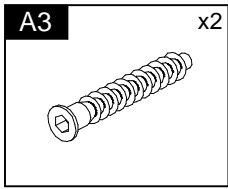
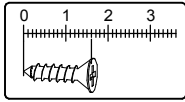


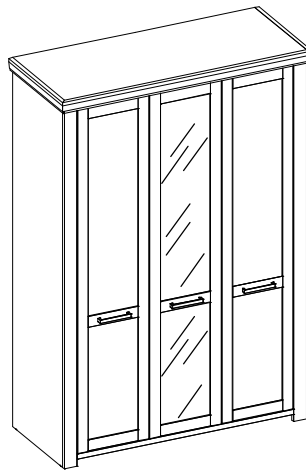
SUDBURY

Typ H

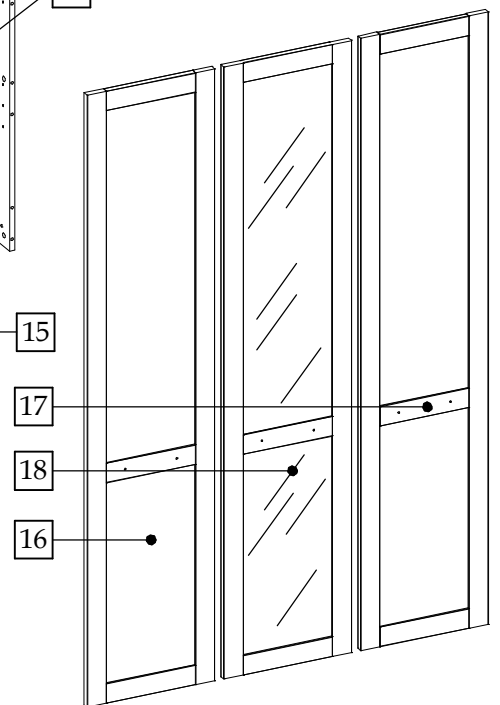
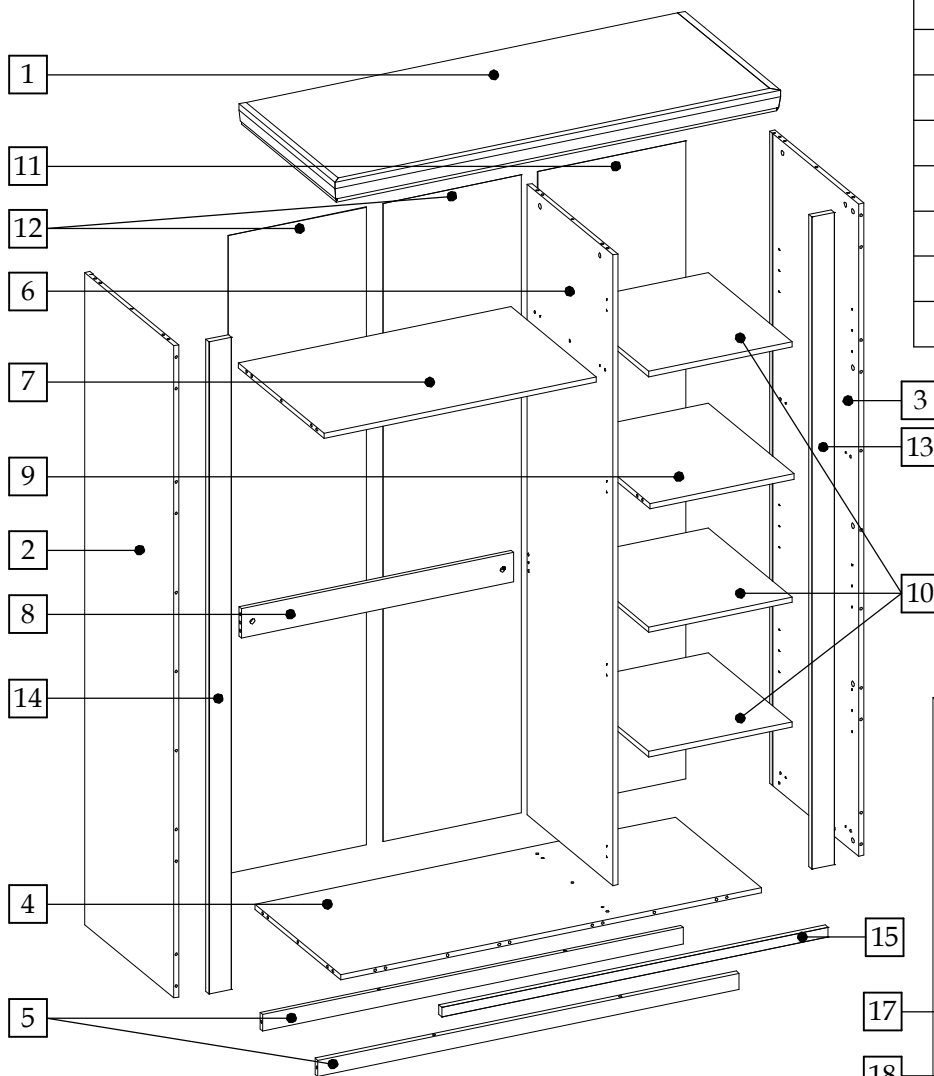


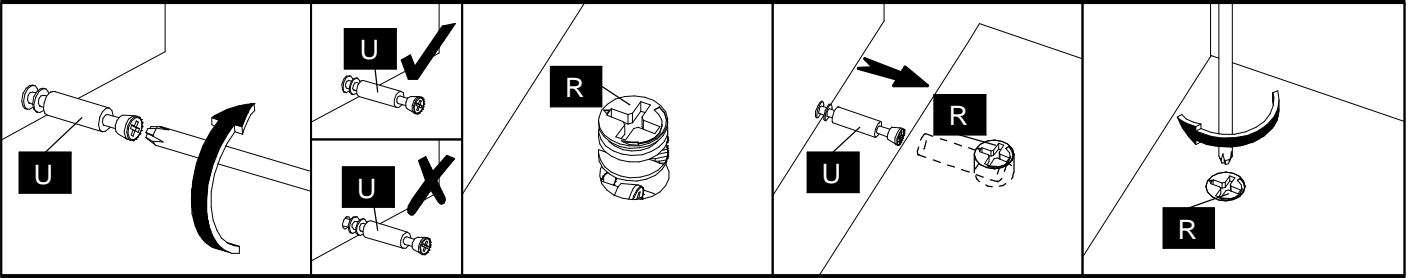




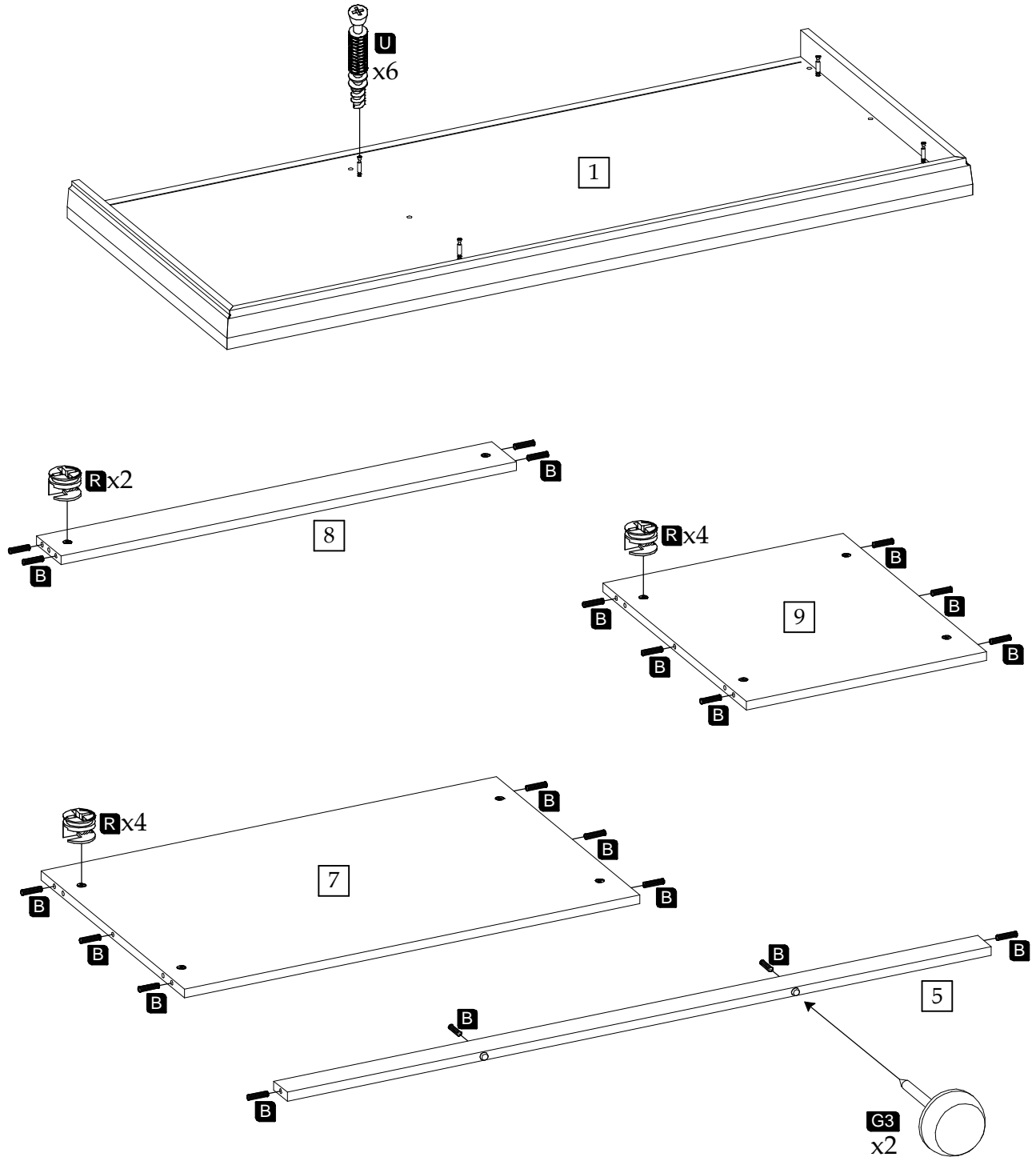


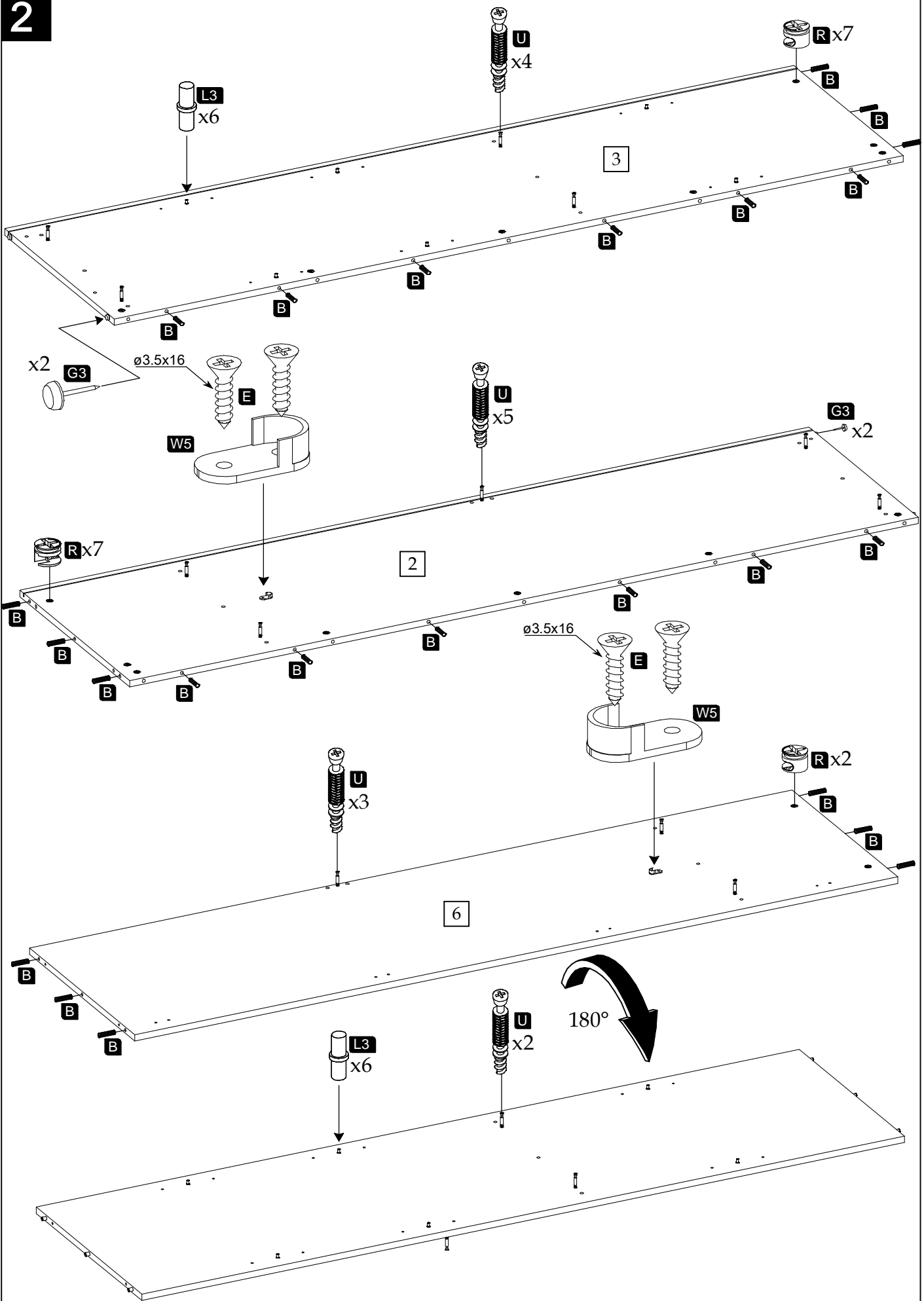
Element symbol	Measurements				Code	Paket
1	1379	590	65	1	1003	3/3
2	1980.5	548.5	16	1	1001	1/3
3	1980.5	548.5	16	1	1004	1/3
4	1302	528.5	16	1	1005	3/3
5	1302	50	16	2	1007	3/3
6	1914.5	528.5	16	1	1064	1/3
7	842	528.5	16	1	1034	1/3
8	842	90	16	1	1074	3/3
9	444	528.5	16	1	1066	1/3
10	444	518	16	3	N/A	1/3/3
11	1937	458	3	1	N/A	1/3
12	1937	428	3	2	N/A	1/3
13	1980	70	19	1	3019	1/3
14	1980	70	19	1	3020	1/3
15	1195	30	19	1	3026	1/3
16	1859	395	19	1	3017	2/3
17	1859	395	19	1	3018	2/3
18	1859	395	19	1	3027	2/3



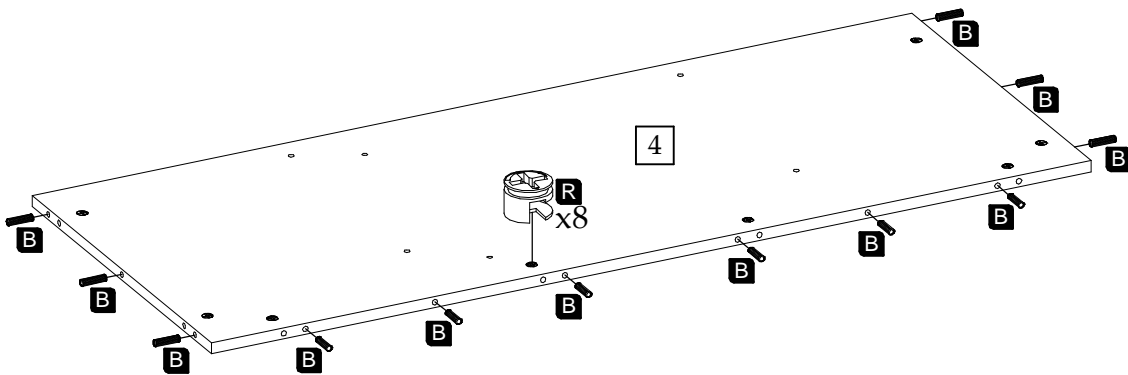


1

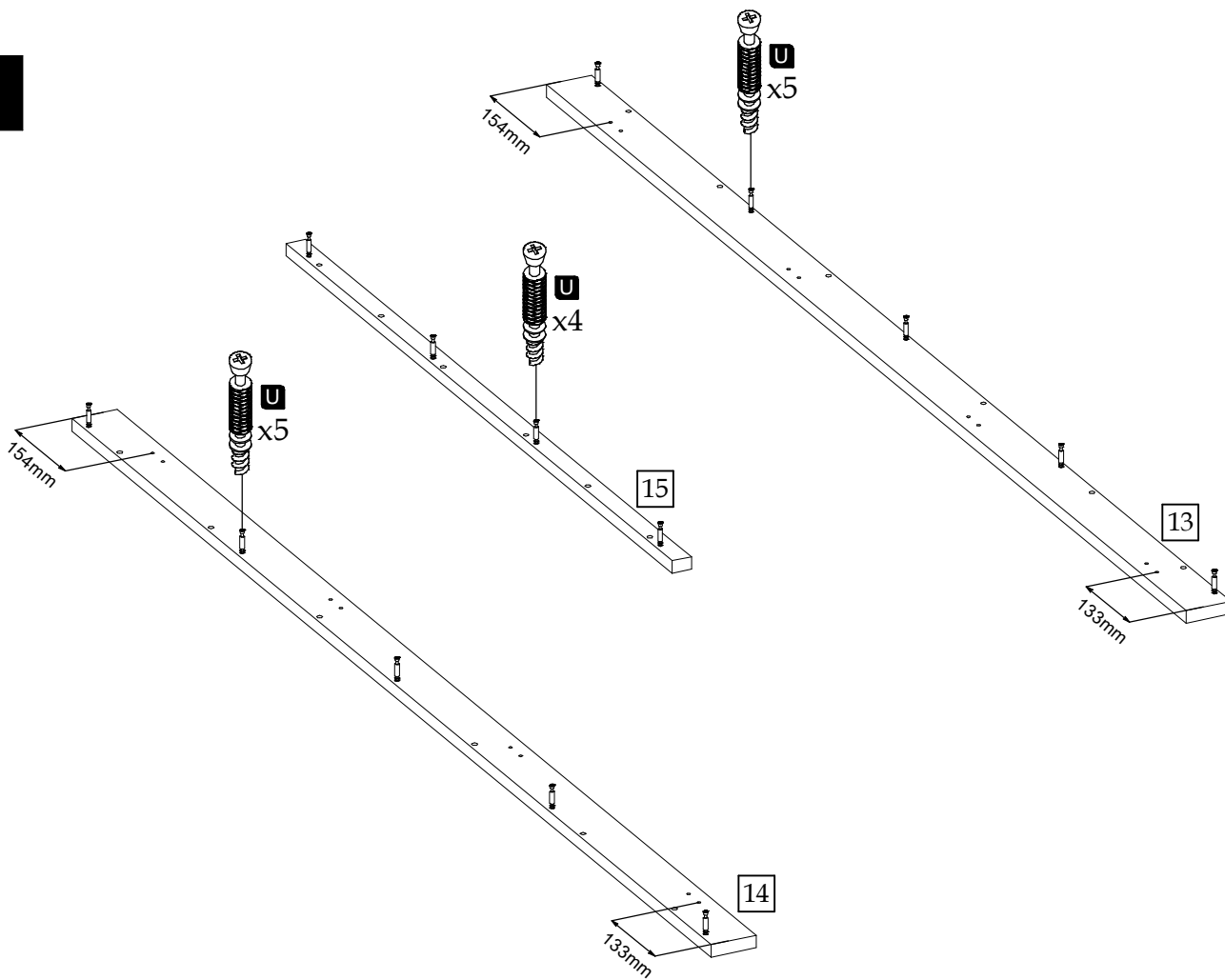




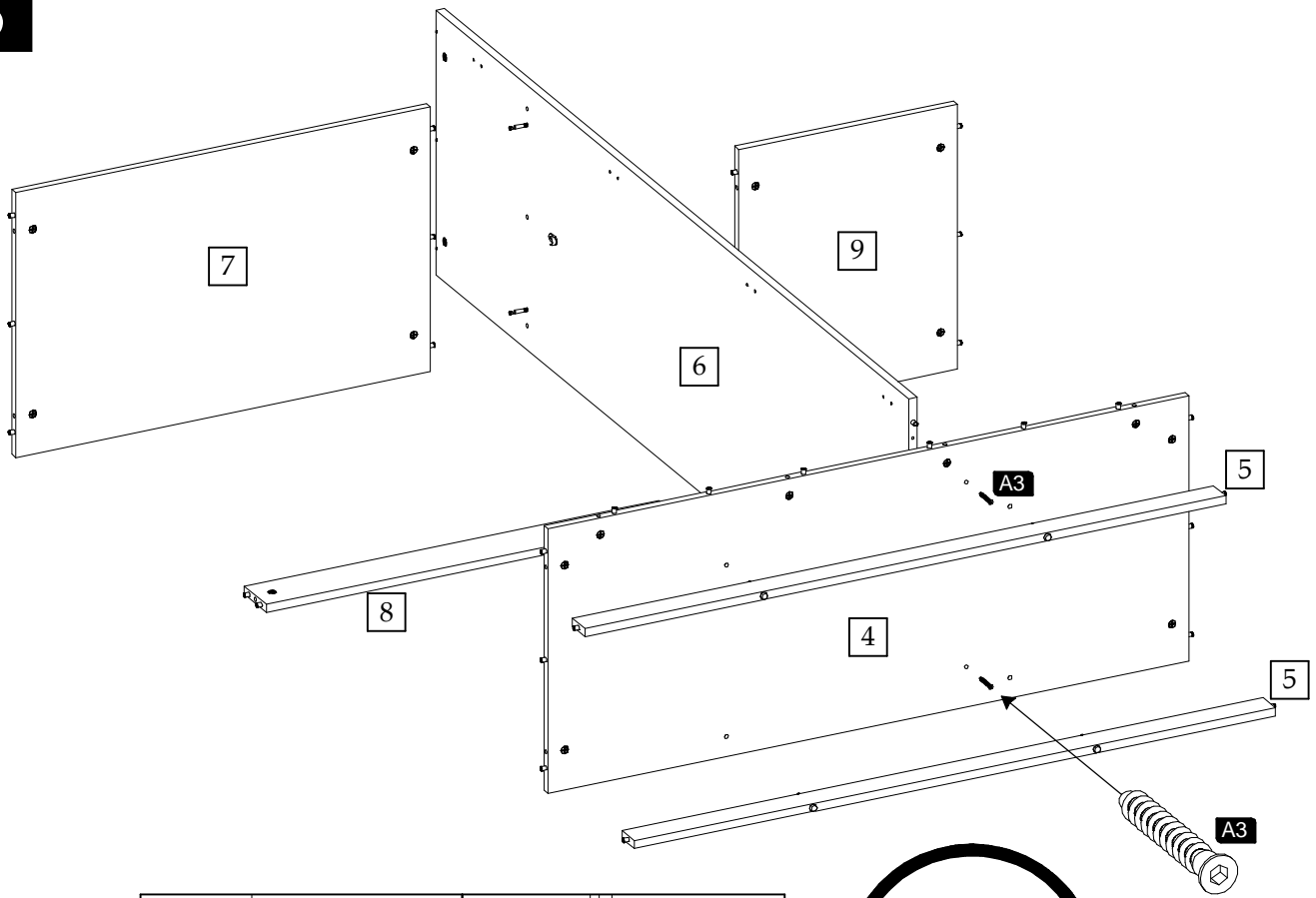
3



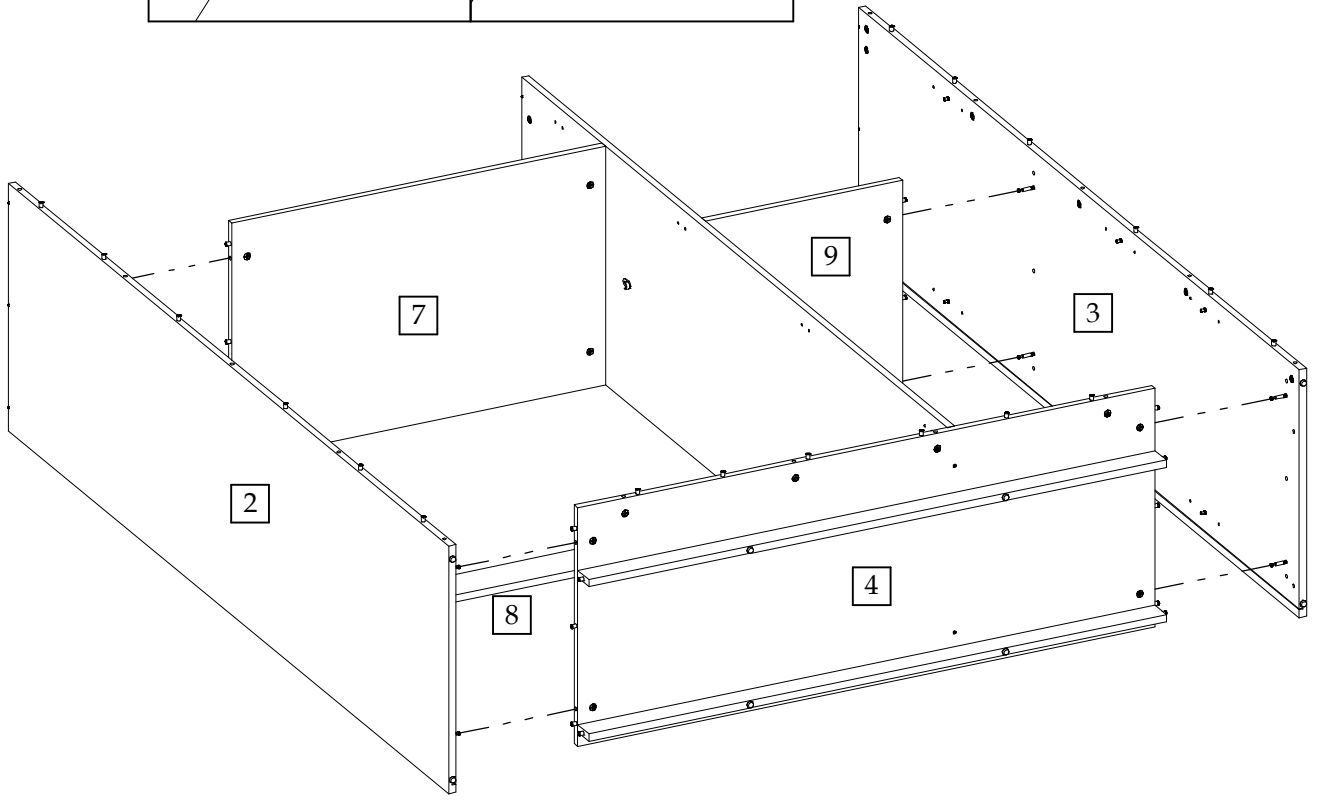
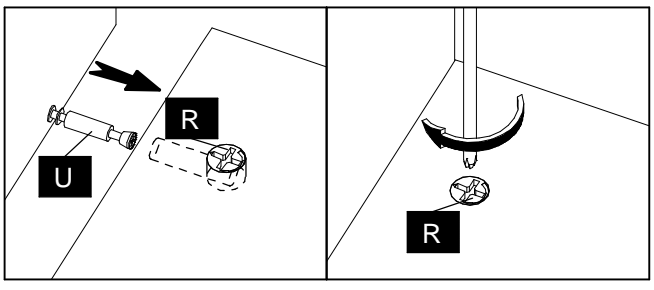
4



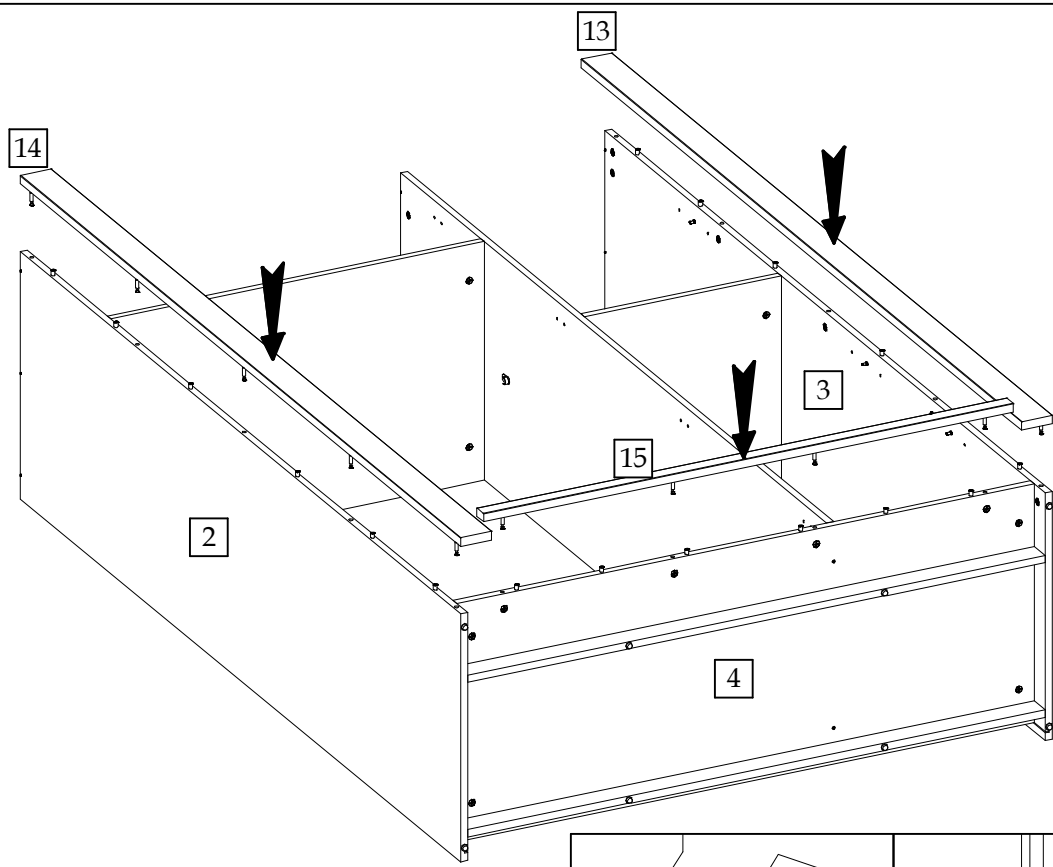
5



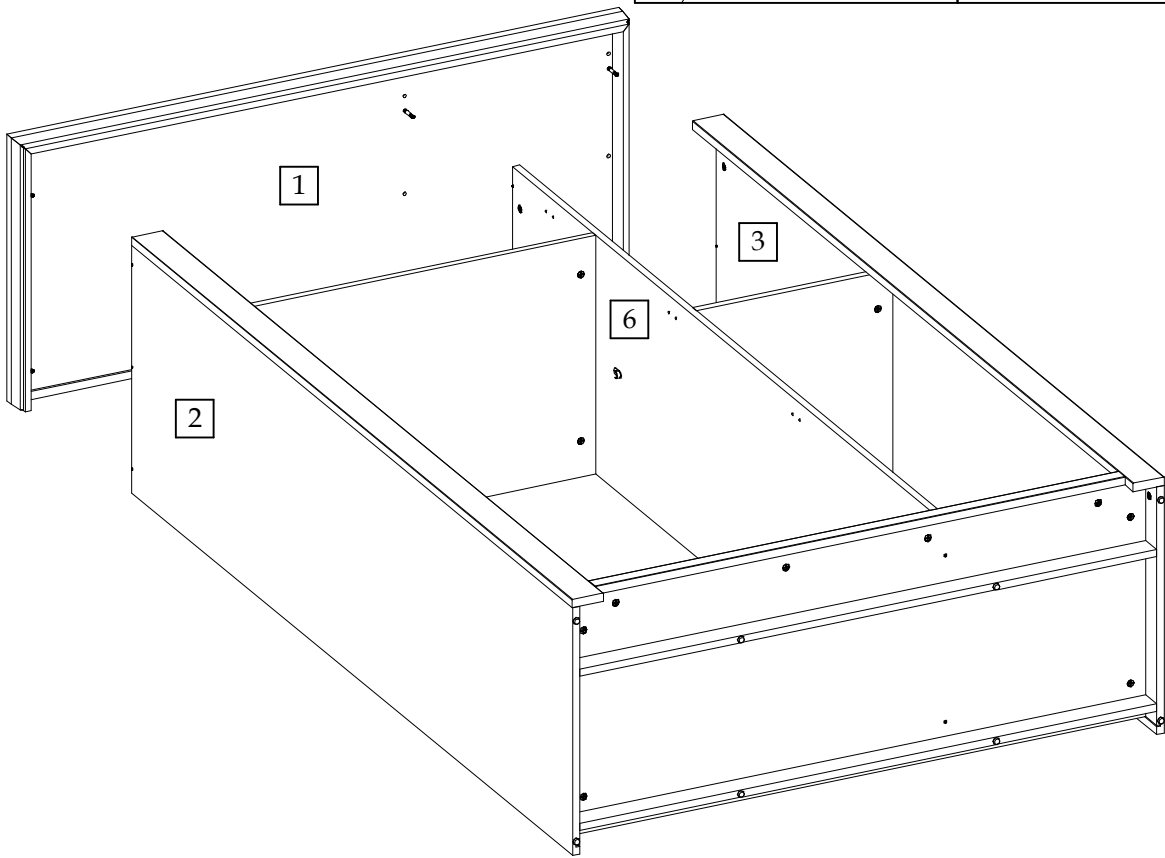
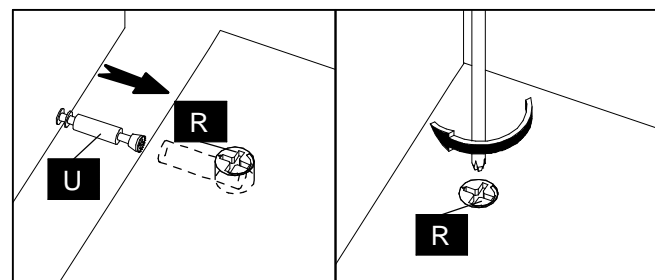
6



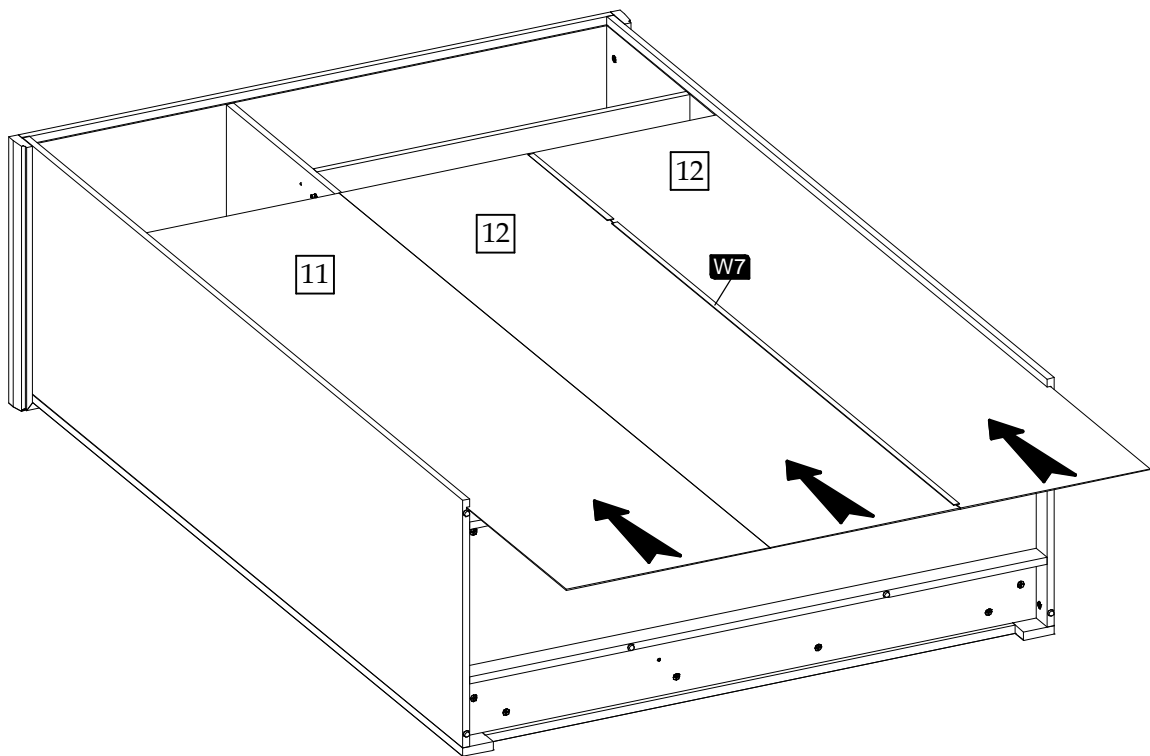
7



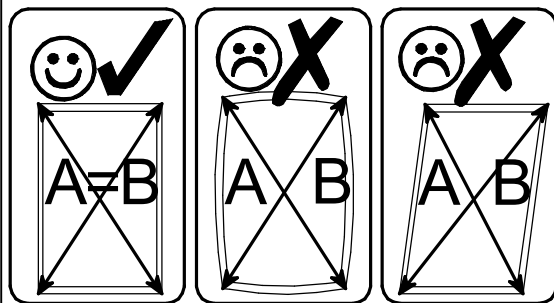
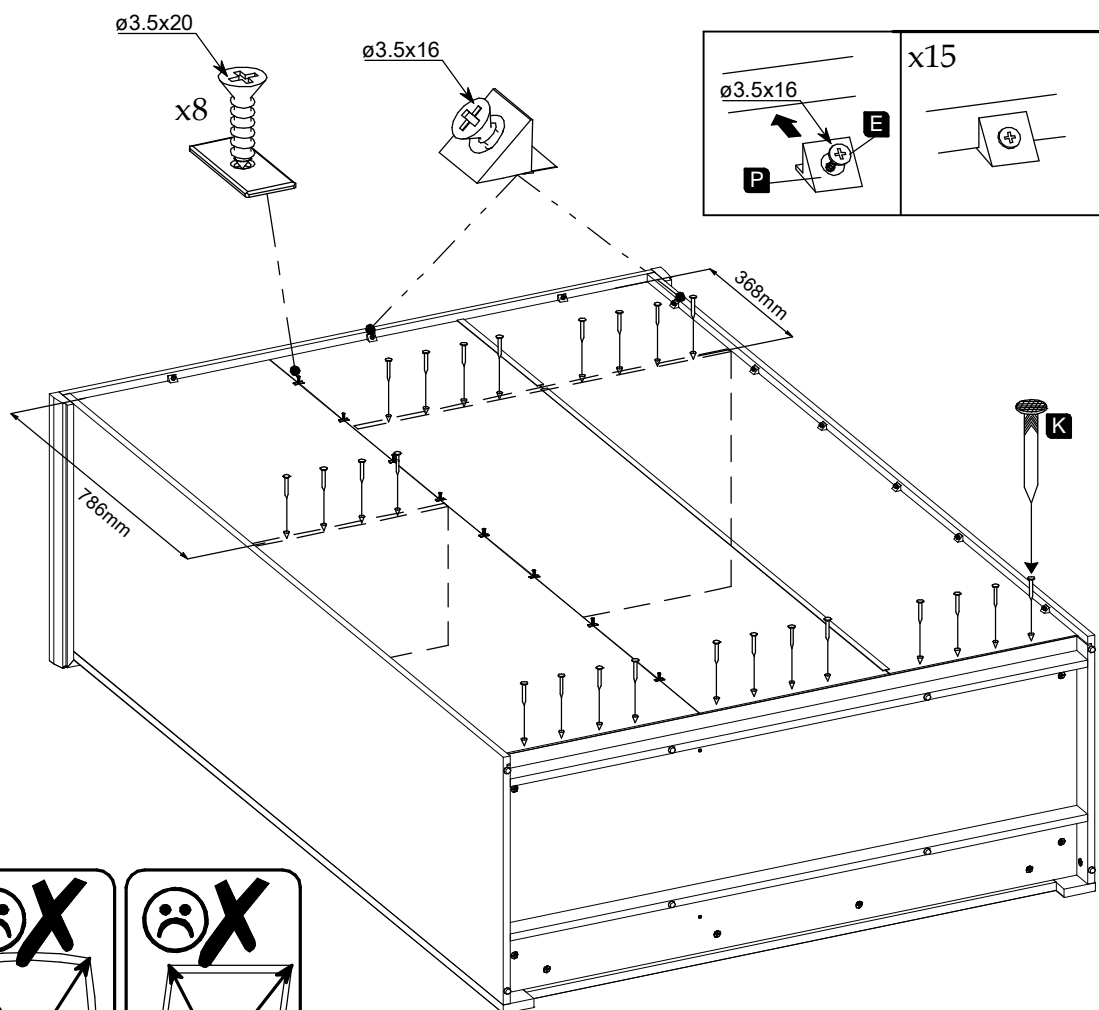
8



9



10



10

