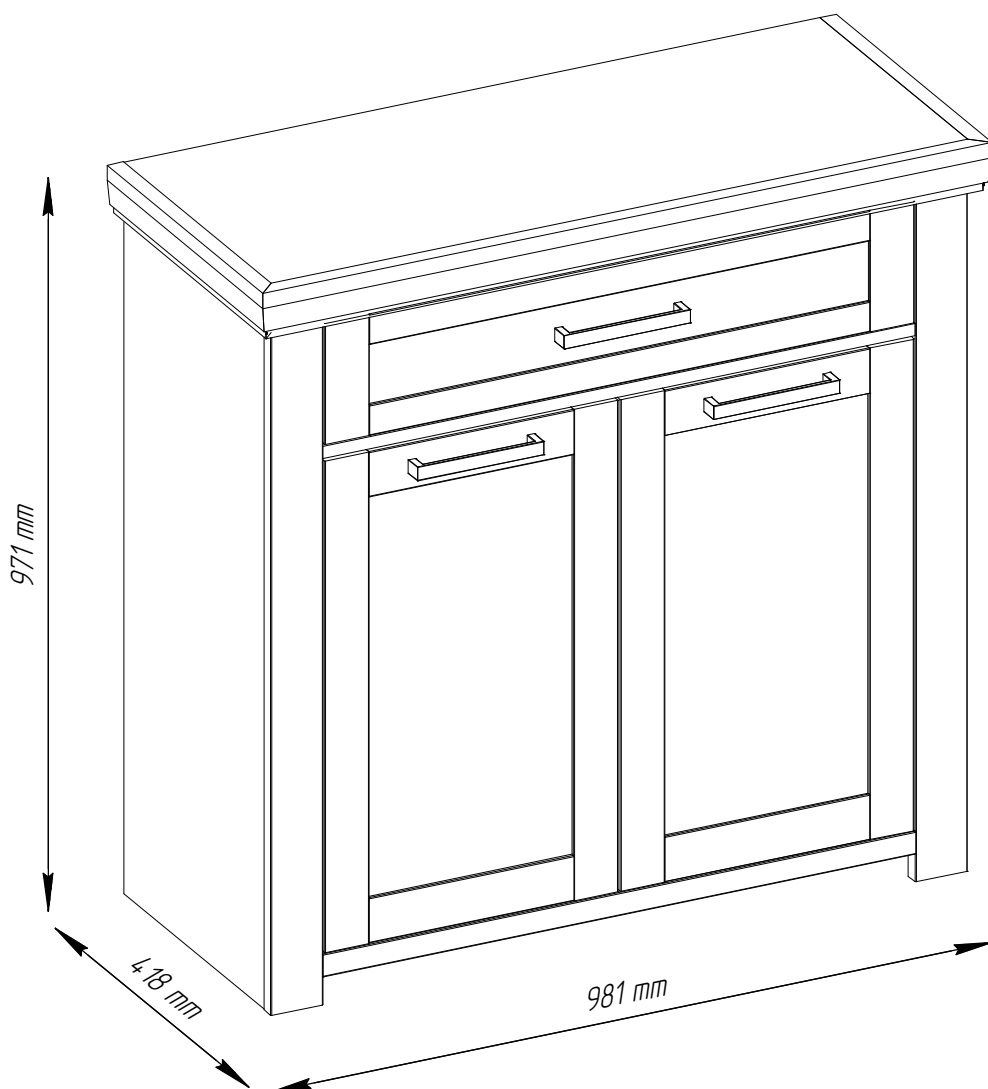
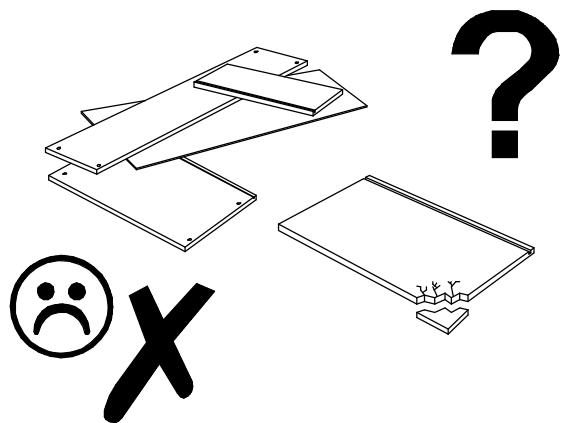
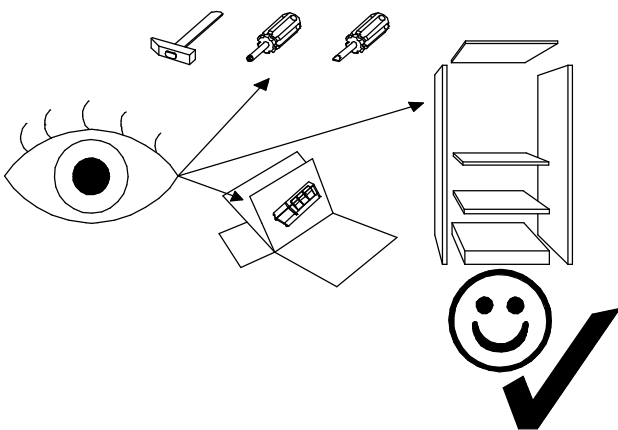
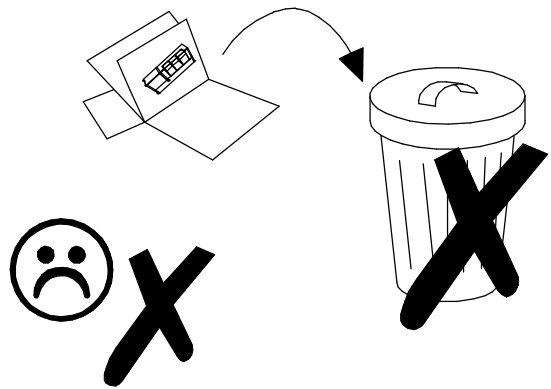
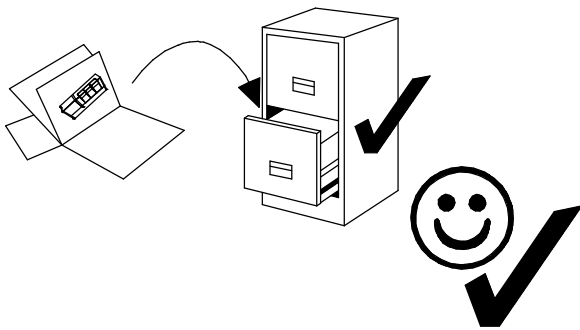
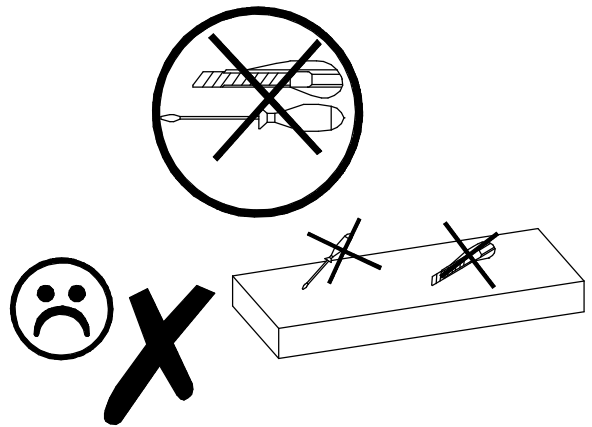
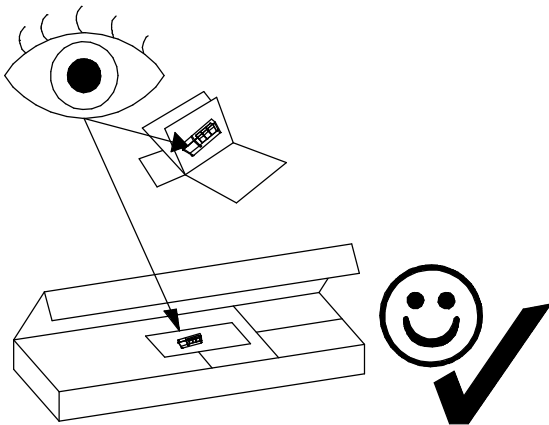
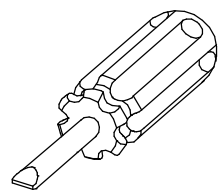
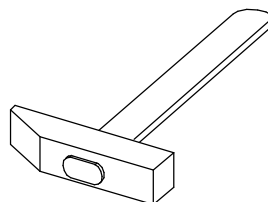
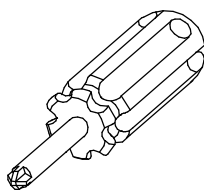
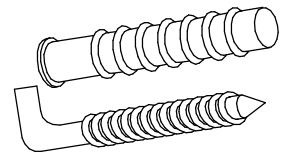
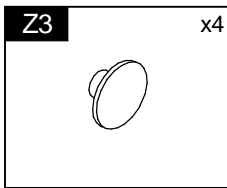
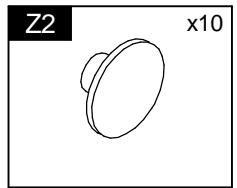
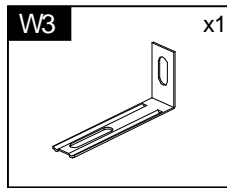
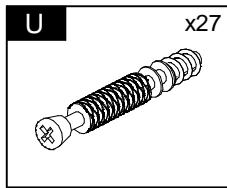
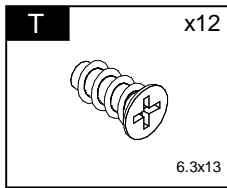
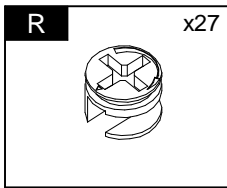
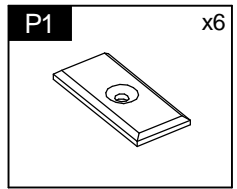
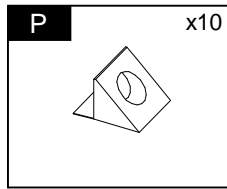
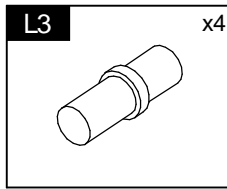
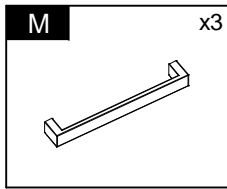
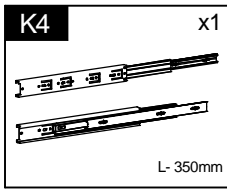
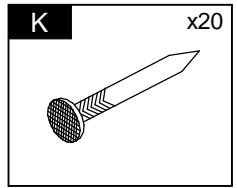
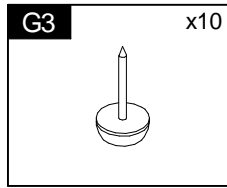
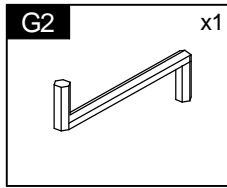
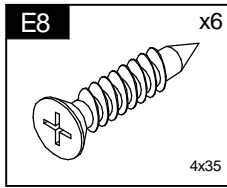
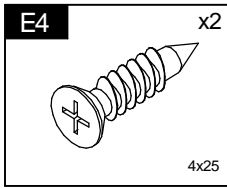
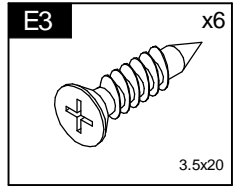
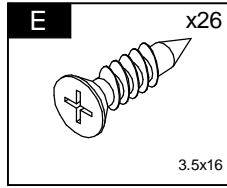
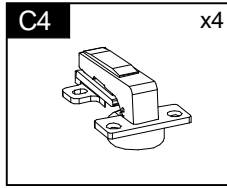
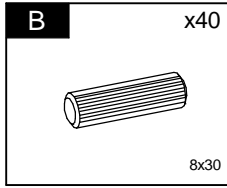
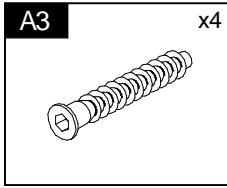
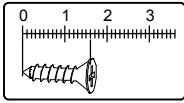
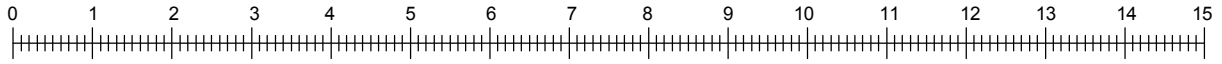


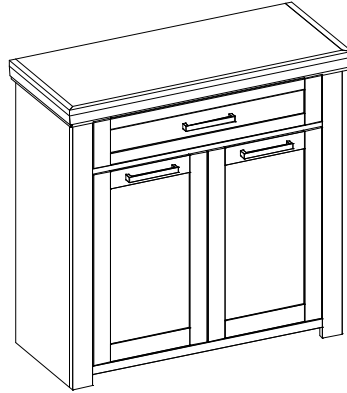
SUDBURY

Typ L

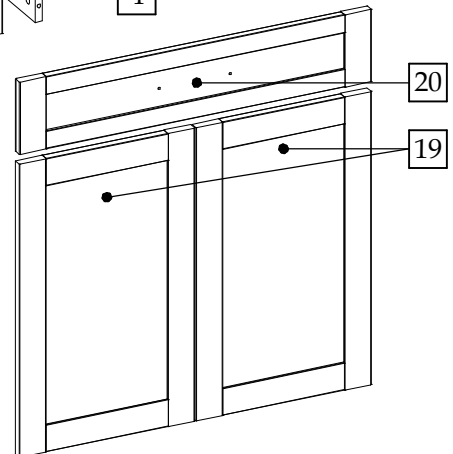
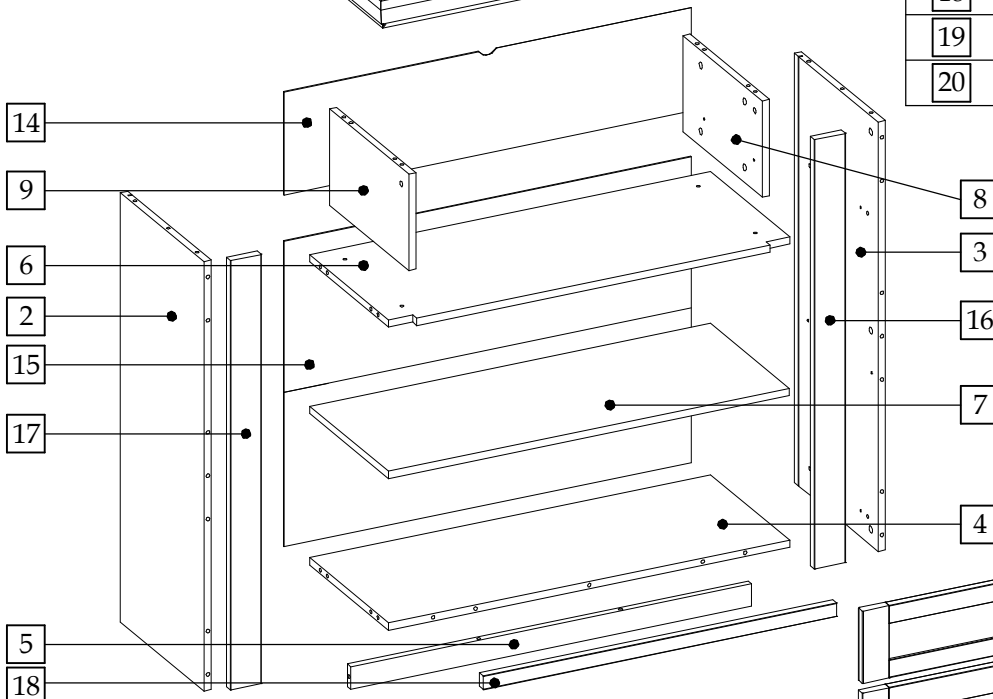
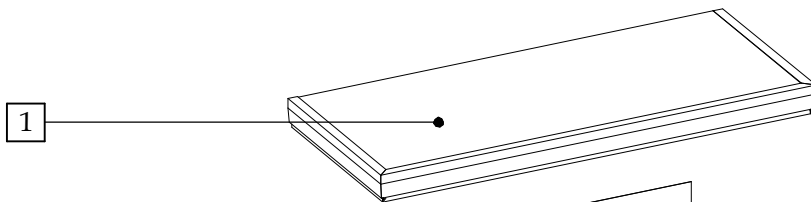
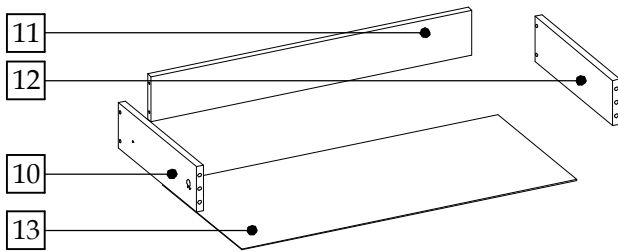


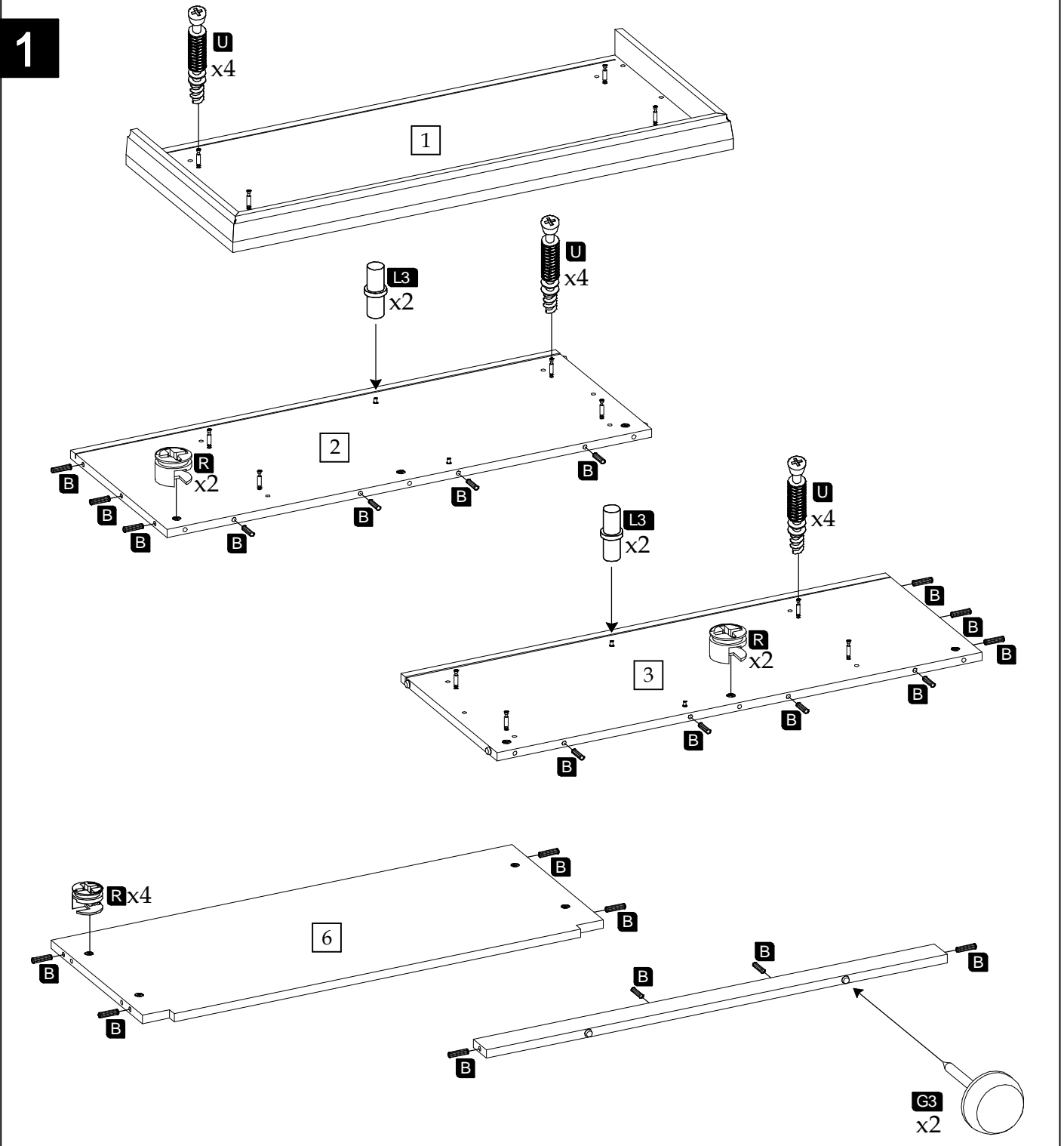
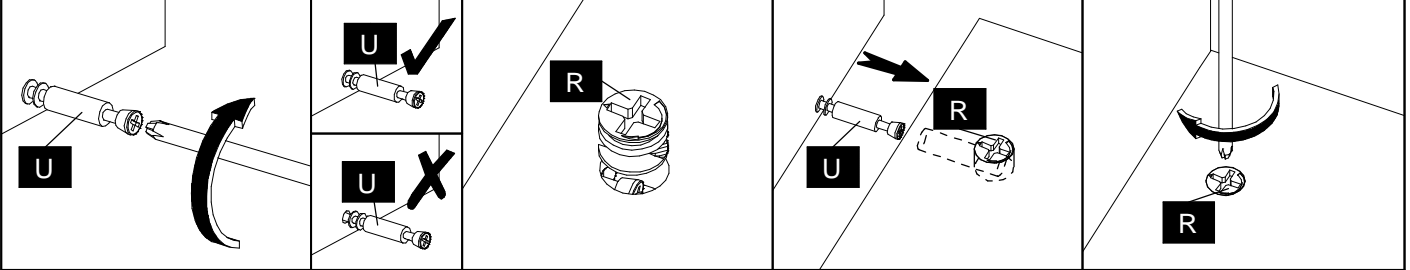


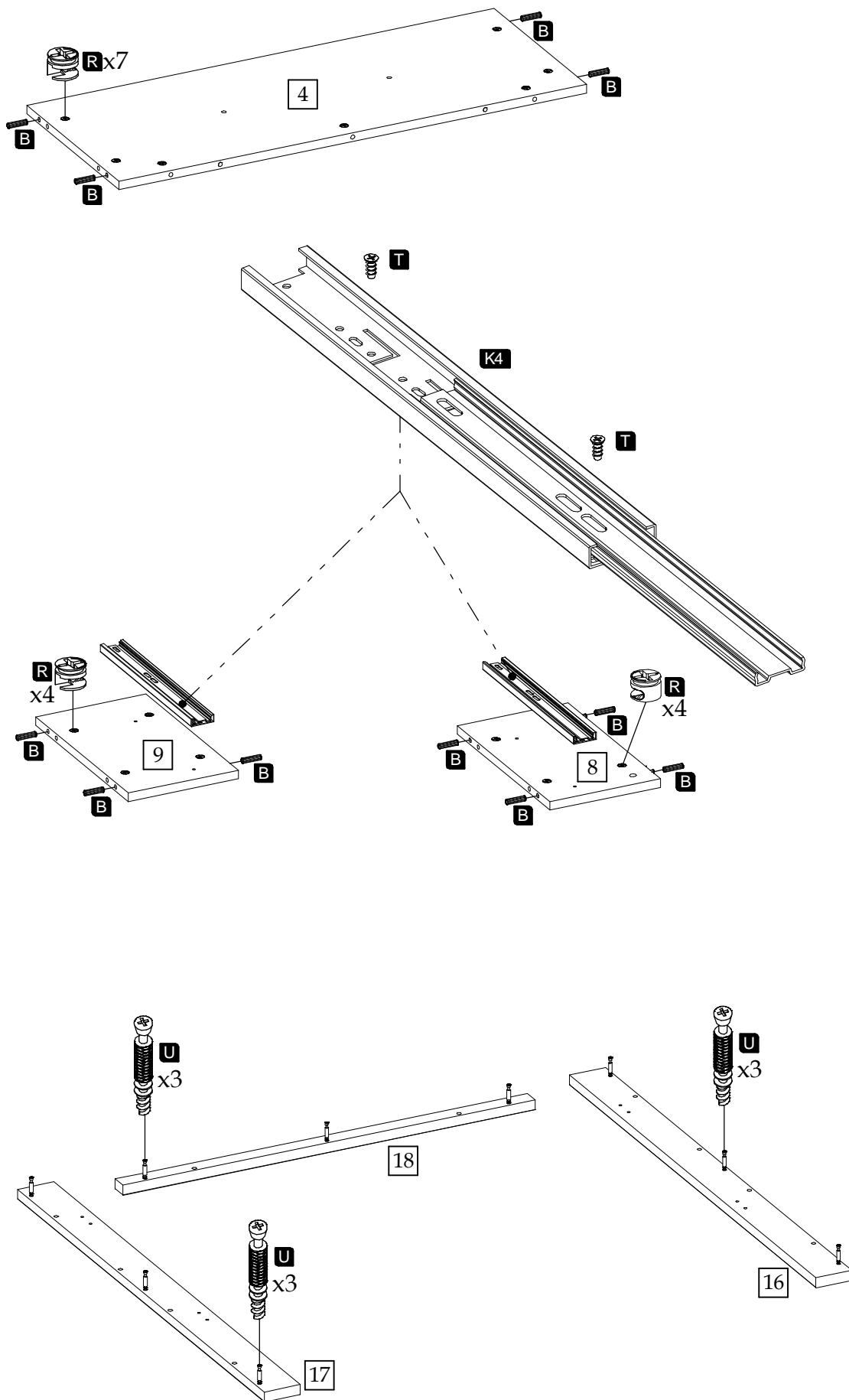




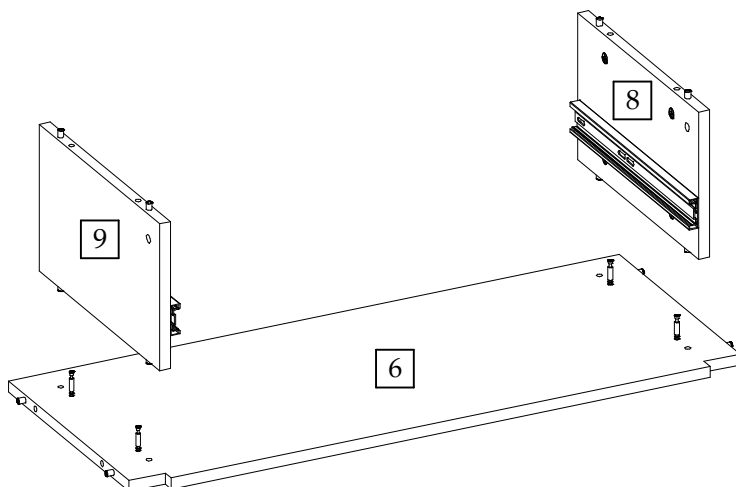
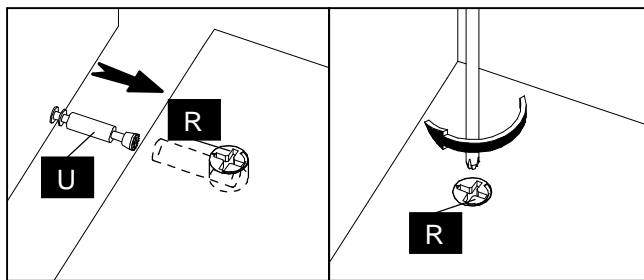
| Element symbol | Measurements | | | | Code | Paket |
|----------------|--------------|-------|----|---|------|-------|
| | W | G | T | h | | |
| 1 | 981 | 418 | 65 | 1 | 1003 | 3/3 |
| 2 | 950.5 | 376.5 | 16 | 1 | 1001 | 1/3 |
| 3 | 950.5 | 376.5 | 16 | 1 | 1004 | 1/3 |
| 4 | 904 | 356.5 | 16 | 1 | 1005 | 3/3 |
| 5 | 904 | 50 | 16 | 1 | 1007 | 3/3 |
| 6 | 904 | 374.5 | 16 | 1 | 1008 | 3/3 |
| 7 | 904 | 356 | 16 | 1 | N/A | 3/3 |
| 8 | 213.5 | 356.5 | 16 | 1 | 1020 | 1/3 |
| 9 | 213.5 | 356.5 | 16 | 1 | 1021 | 1/3 |
| 10 | 350 | 100 | 16 | 1 | 1023 | 1/3 |
| 11 | 723.5 | 100 | 16 | 1 | 1024 | 1/3 |
| 12 | 350 | 100 | 16 | 1 | 1025 | 1/3 |
| 13 | 755 | 355 | 3 | 1 | N/A | 1/3 |
| 14 | 918 | 228 | 3 | 1 | 1006 | 1/3 |
| 15 | 918 | 678 | 3 | 1 | N/A | 1/3 |
| 16 | 950 | 70 | 19 | 1 | 3014 | 1/3 |
| 17 | 950 | 70 | 19 | 1 | 3015 | 1/3 |
| 18 | 797 | 30 | 19 | 1 | 3021 | 3/3 |
| 19 | 649 | 395 | 19 | 2 | 3022 | 2/3 |
| 20 | 793 | 160 | 19 | 1 | 3032 | 1/3 |



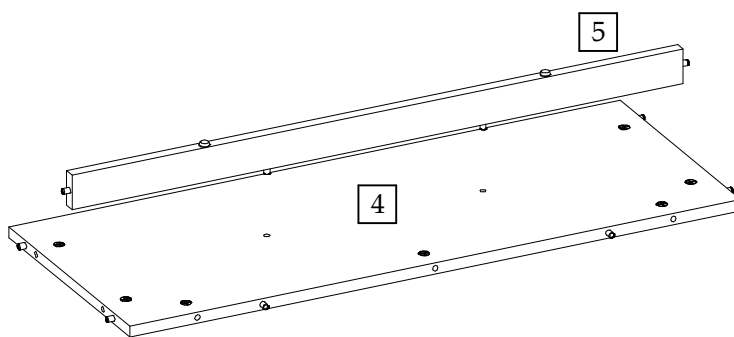




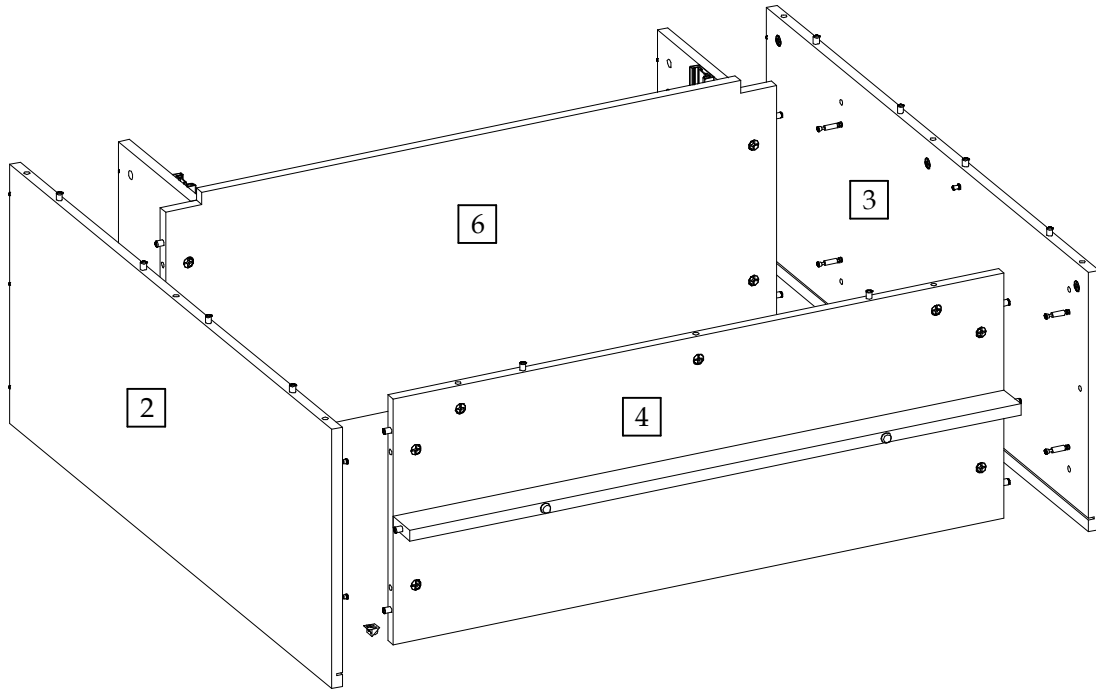
3



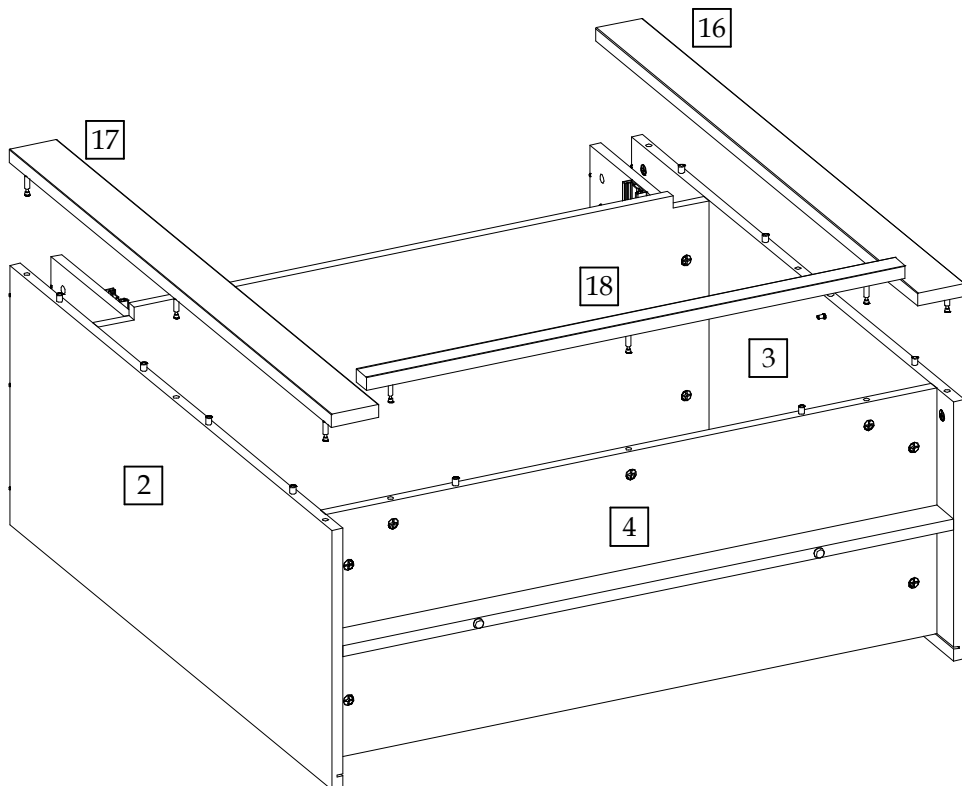
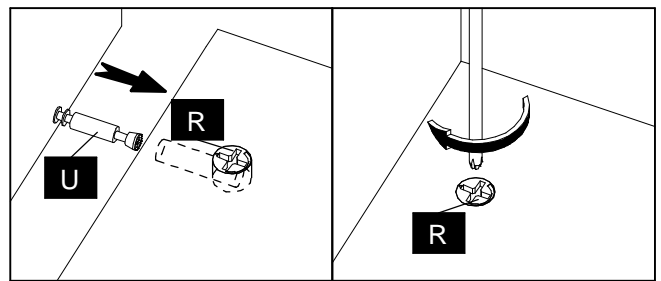
4



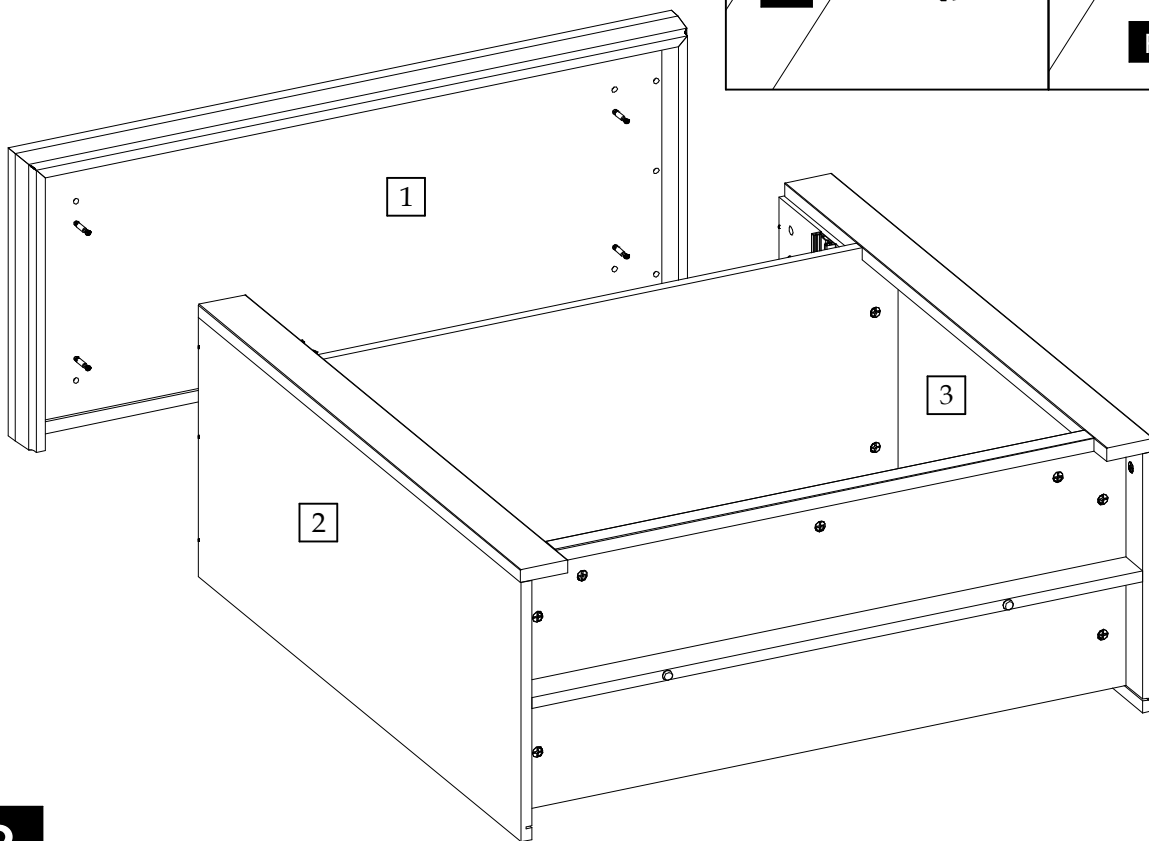
5



6



7



8

