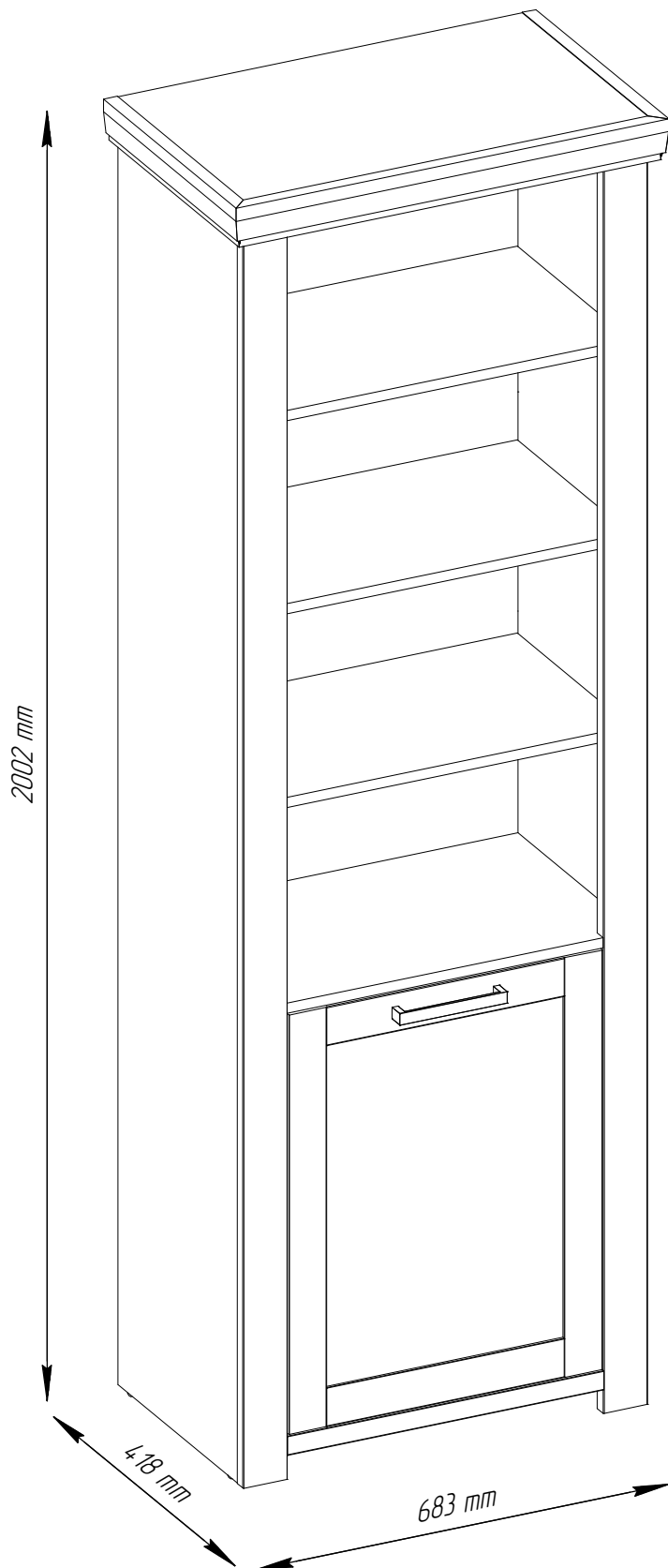
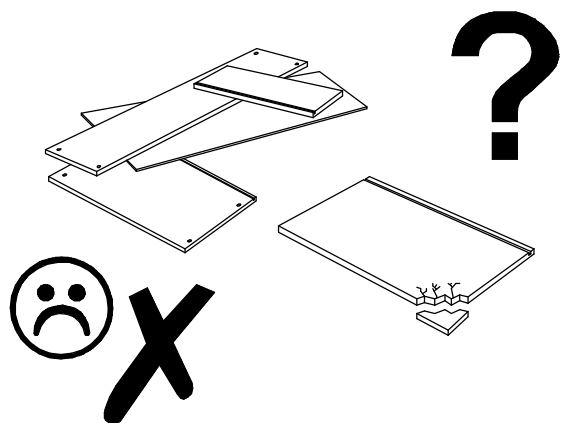
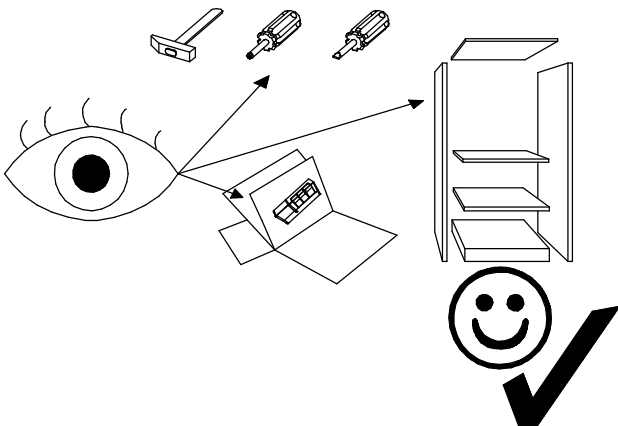
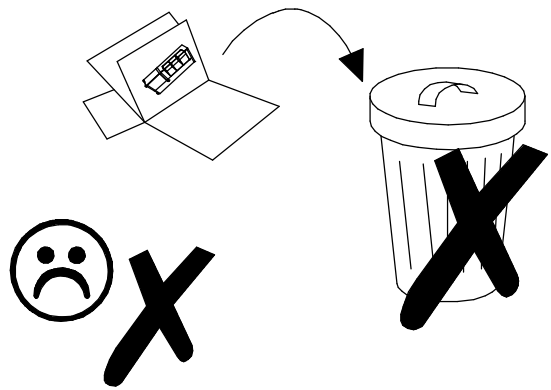
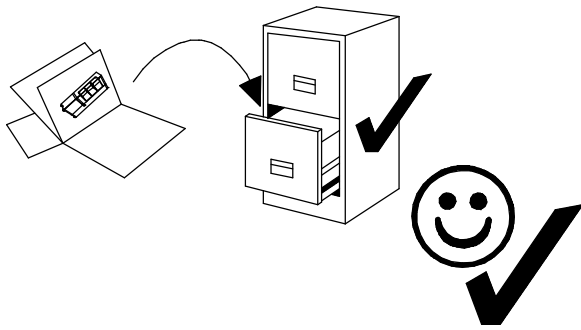
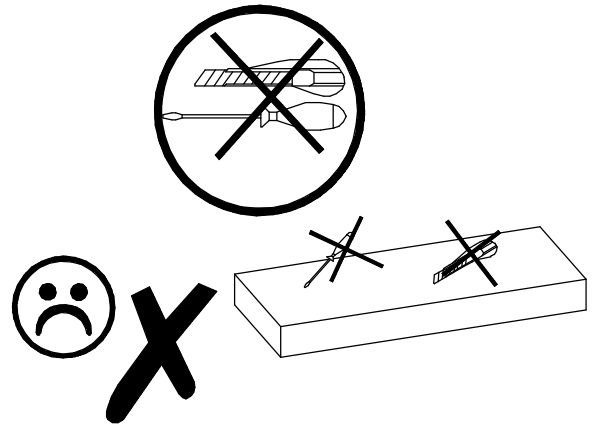
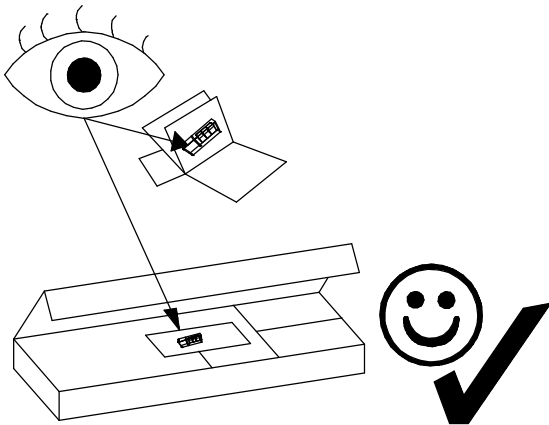
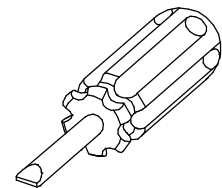
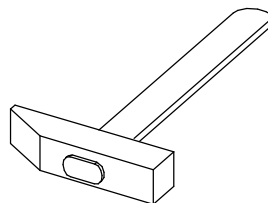
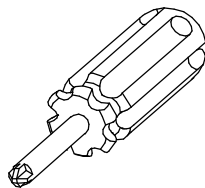
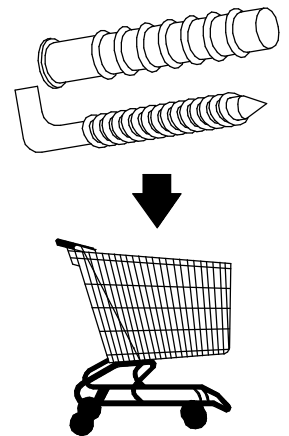
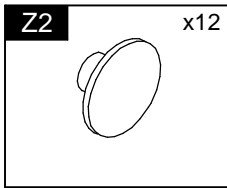
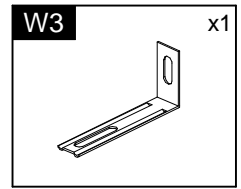
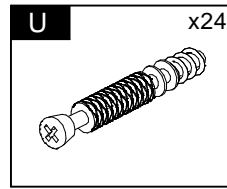
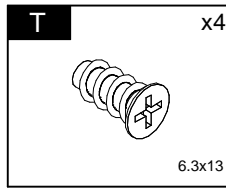
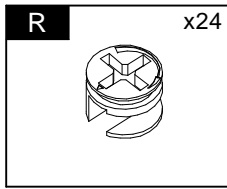
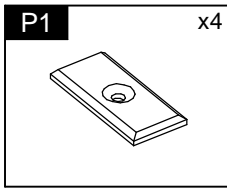
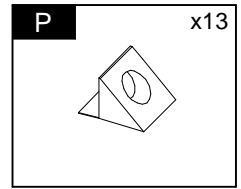
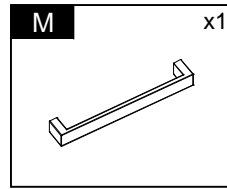
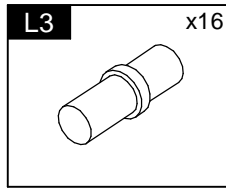
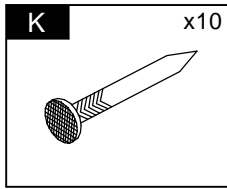
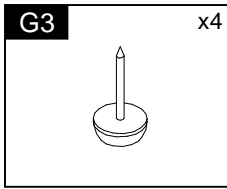
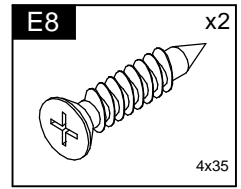
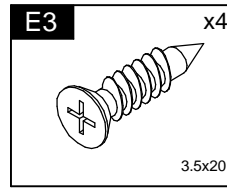
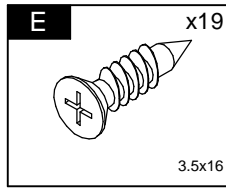
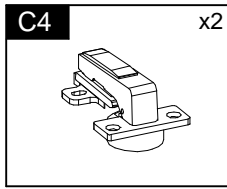
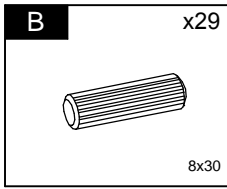
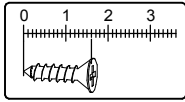


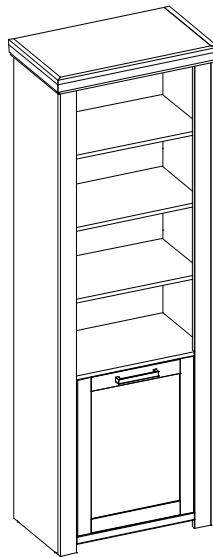
SUDBURY

Typ R

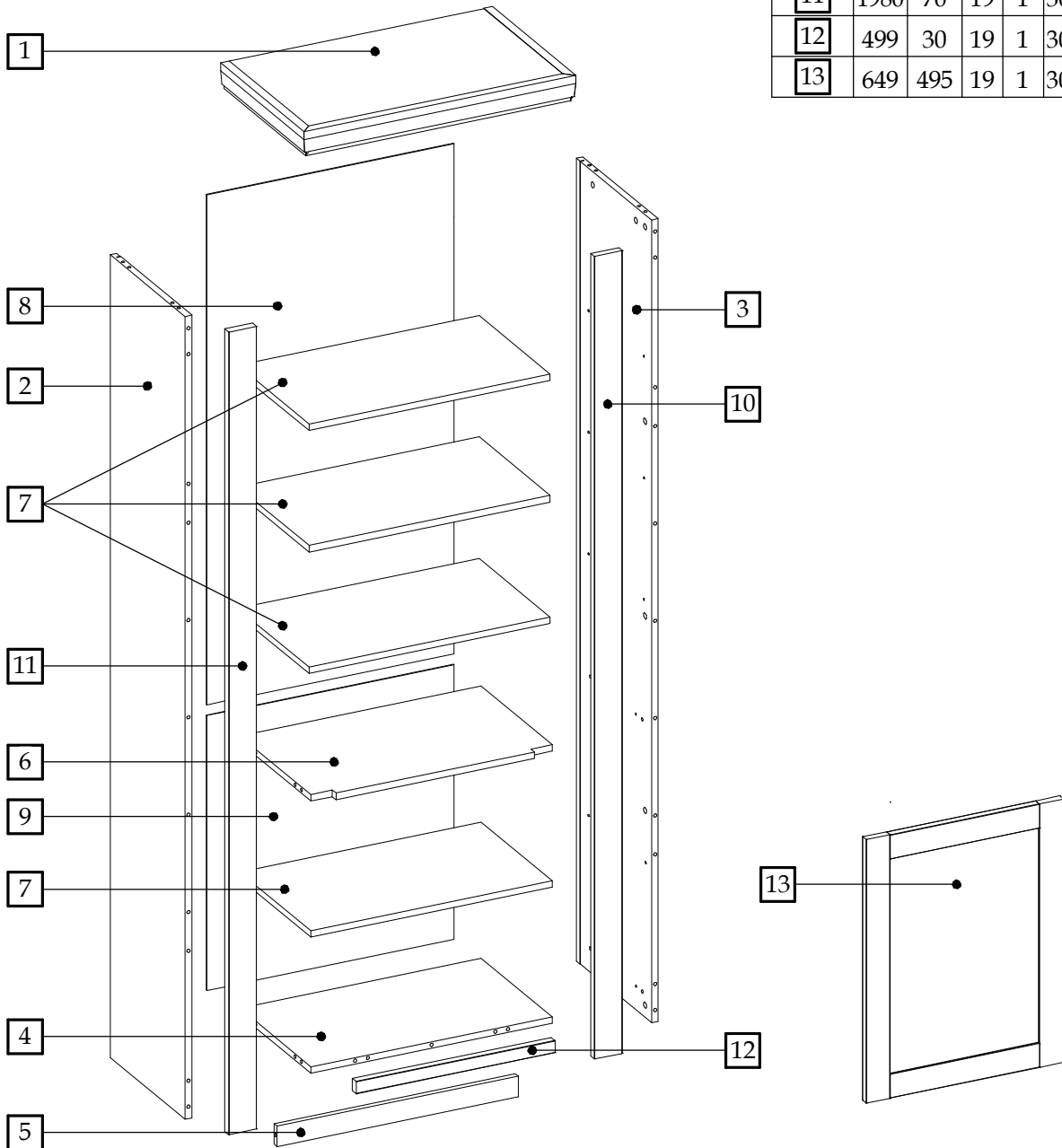




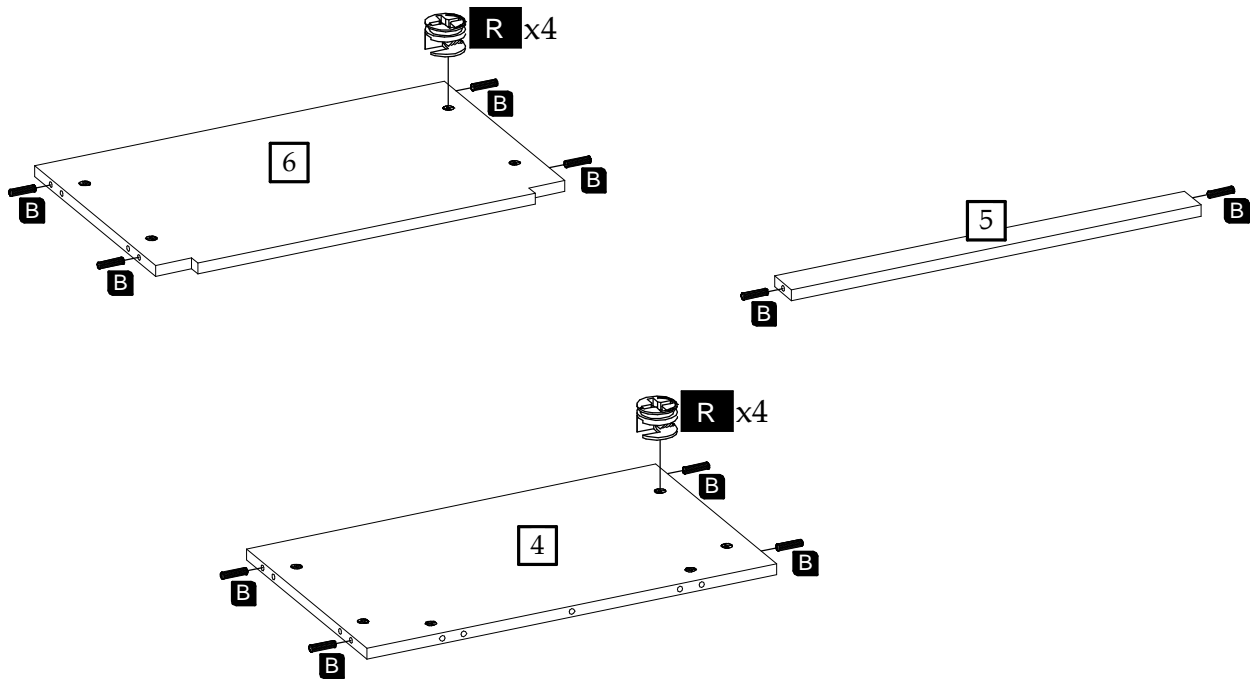




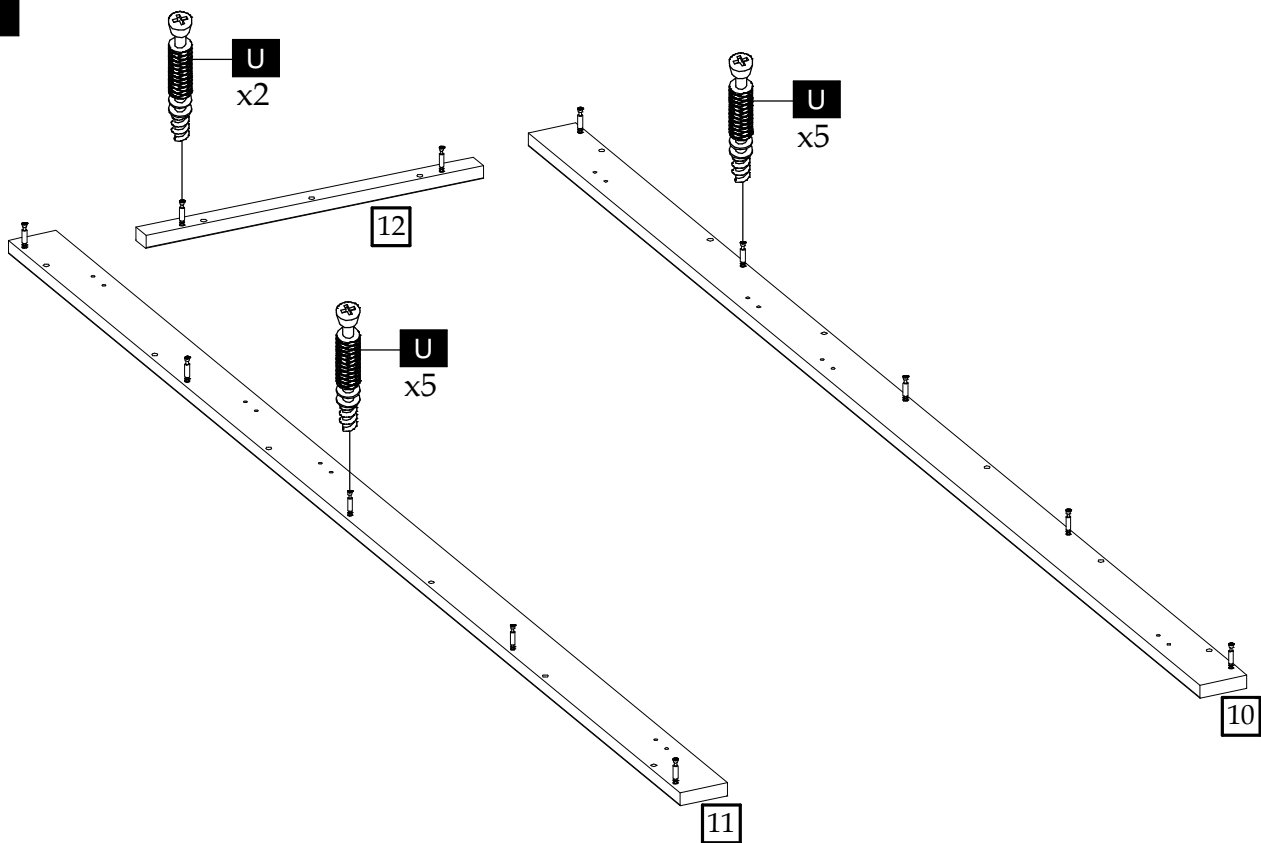
Element symbol	Measurements				Code	Paket
1	683	418	65	1	1003	2/3
2	1980.5	376.5	16	1	1001	1/3
3	1980.5	376.5	16	1	1004	1/3
4	606	356.5	16	1	1005	1/3
5	606	50	16	1	1007	1/3
6	606	374.5	16	1	1008	2/3
7	605	356	16	4	N/A	1/3 2/3
8	1258	620	3	1	N/A	1/3
9	678	620	3	1	N/A	1/3
10	1980	70	19	1	3001	1/3
11	1980	70	19	1	3002	1/3
12	499	30	19	1	3003	2/3
13	649	495	19	1	3004	3/3



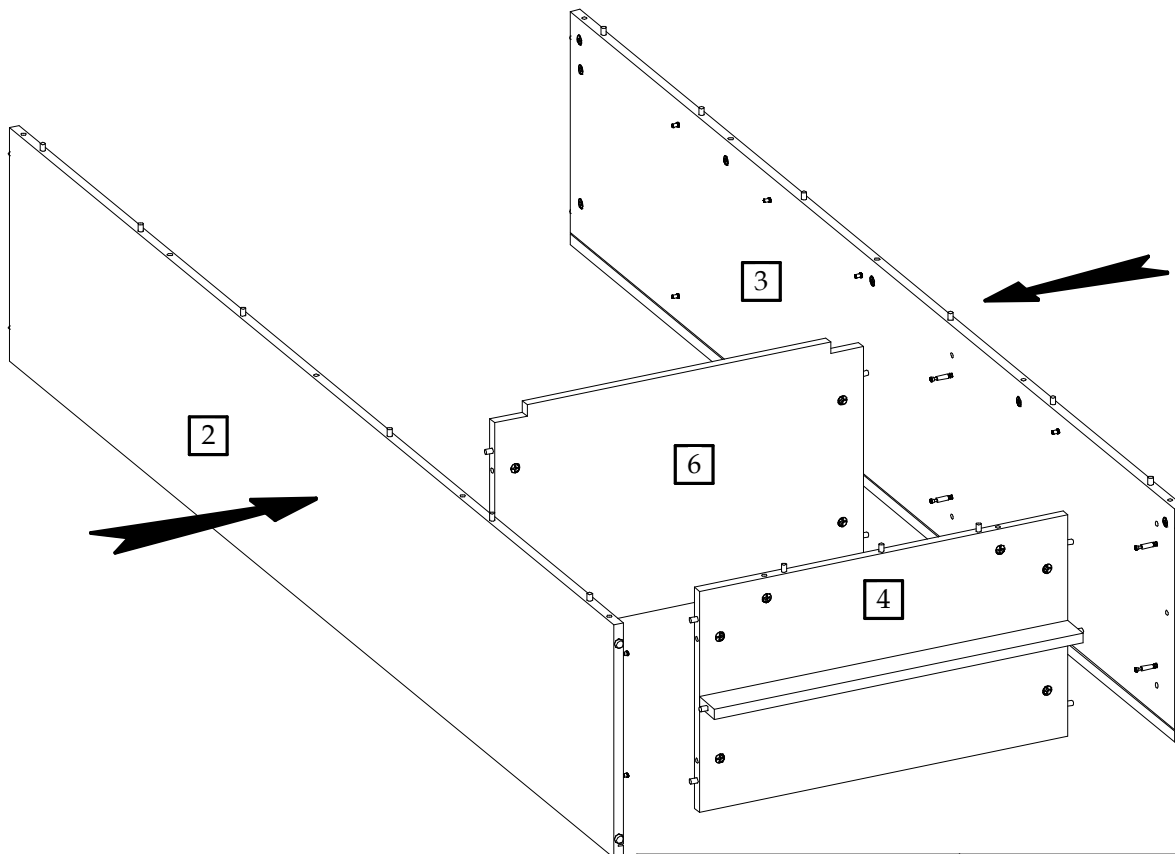
2



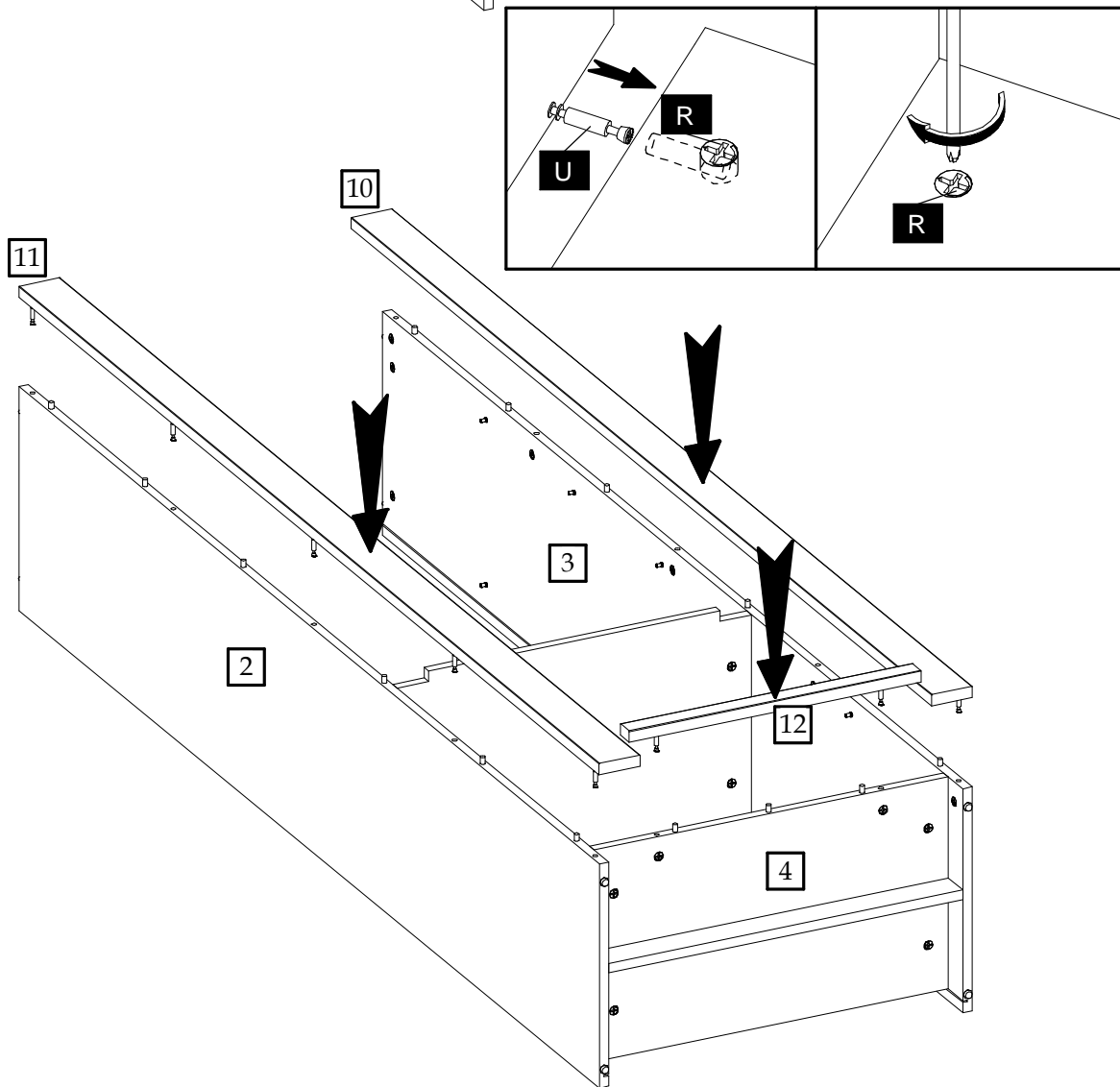
3



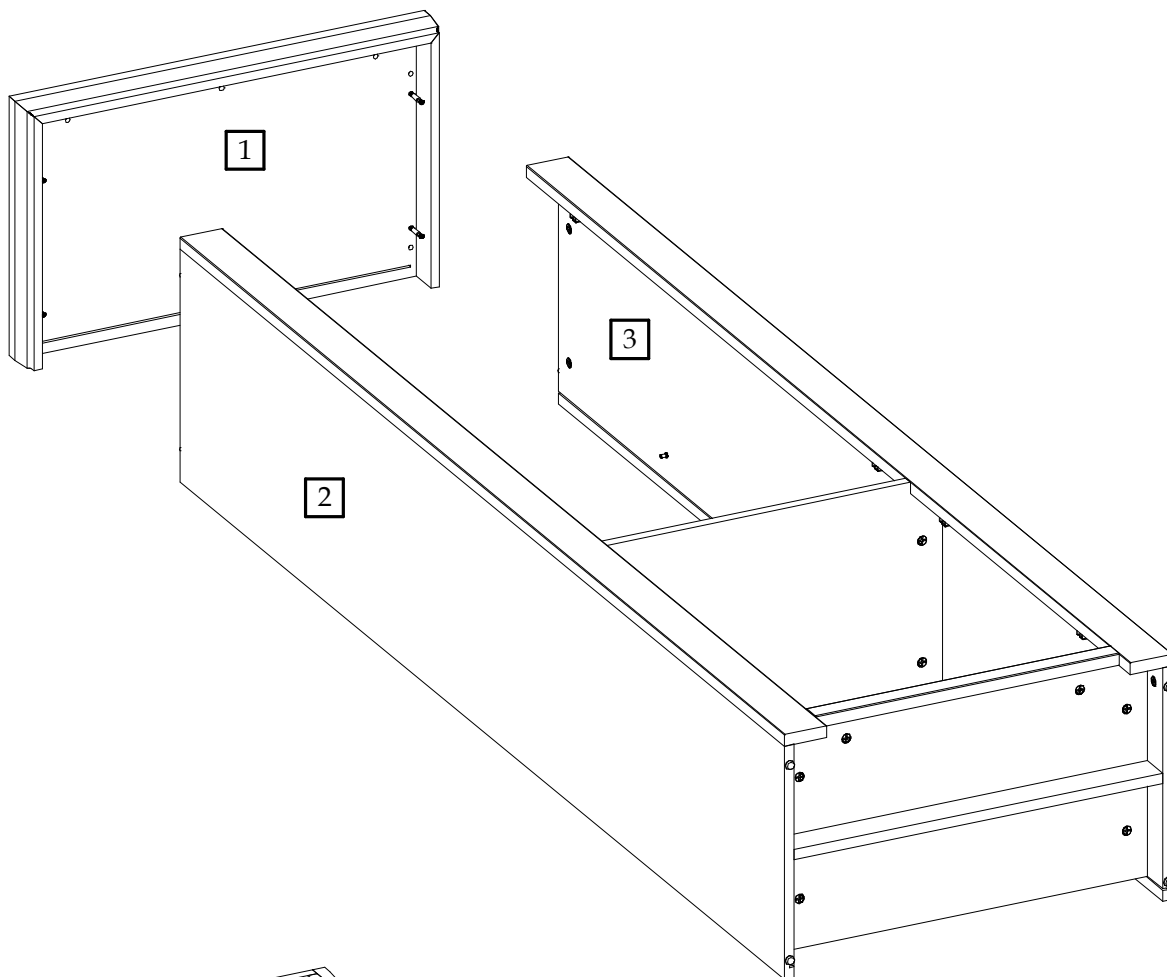
4



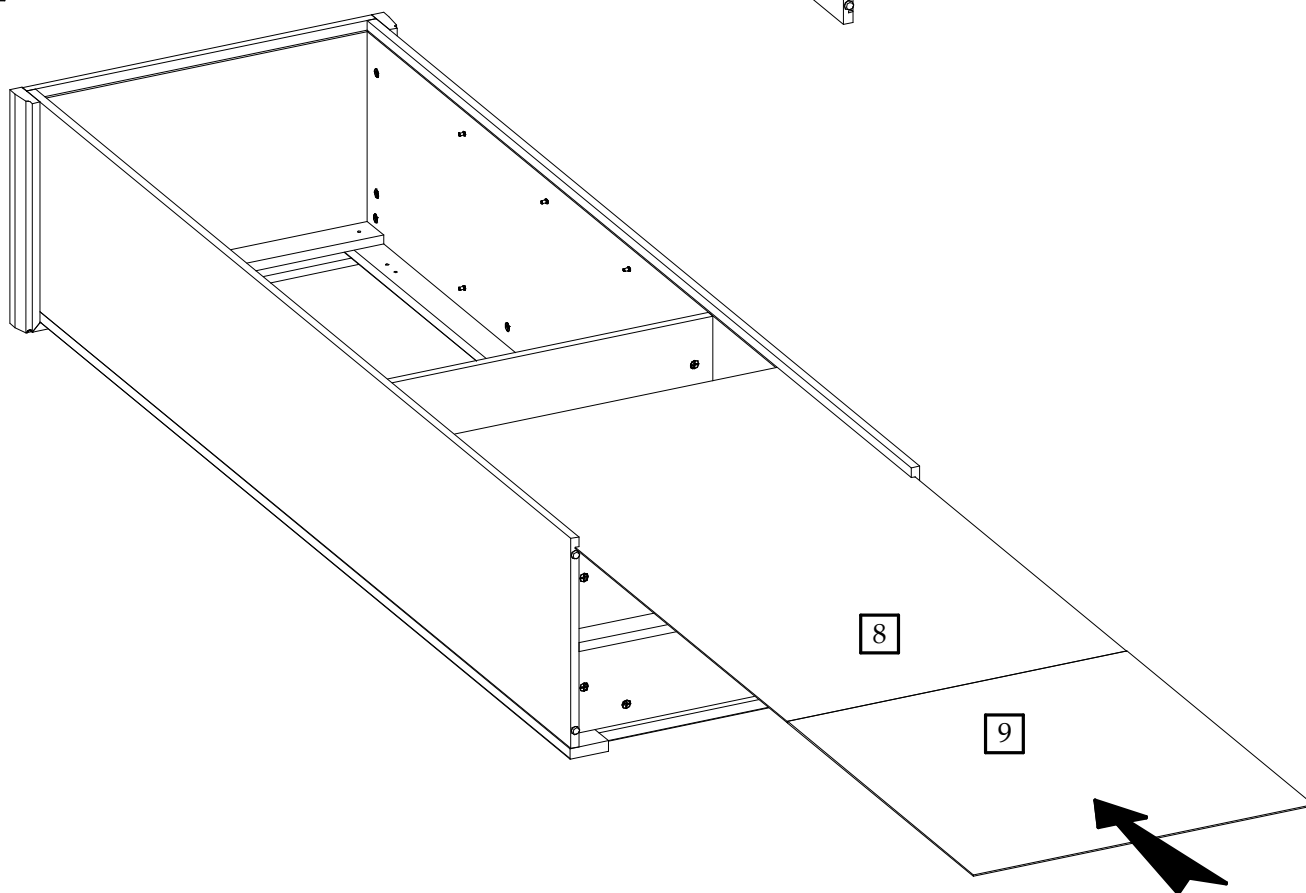
5



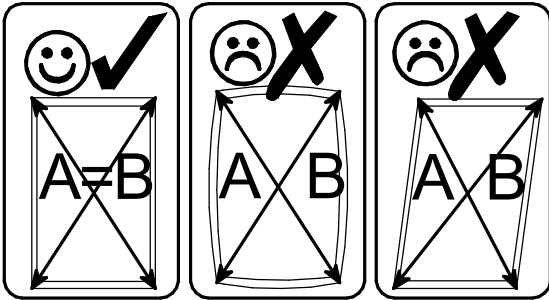
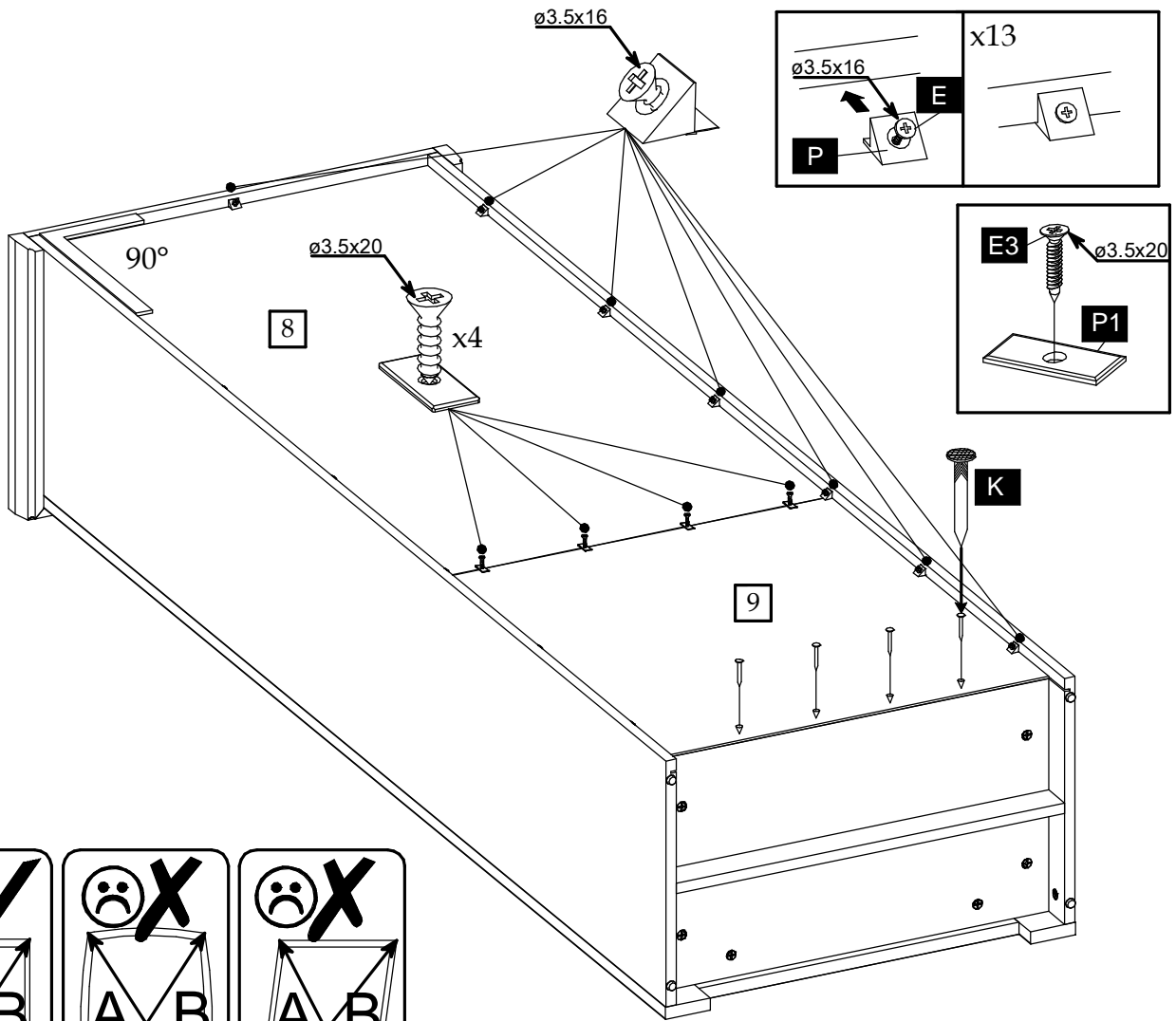
6



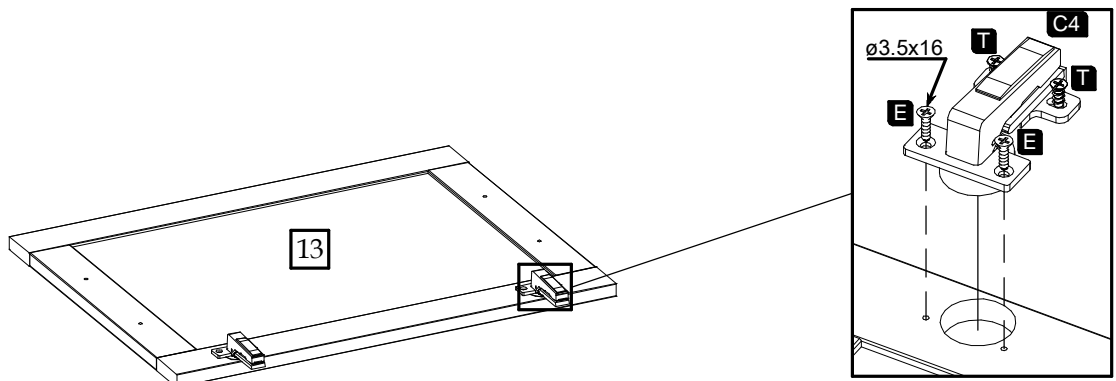
7

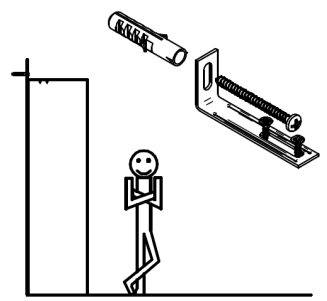
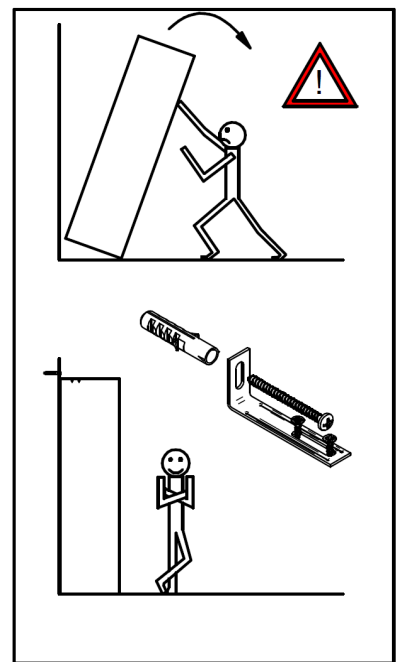
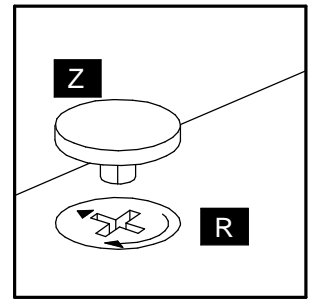
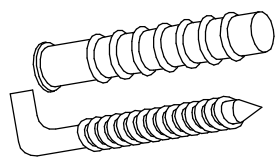
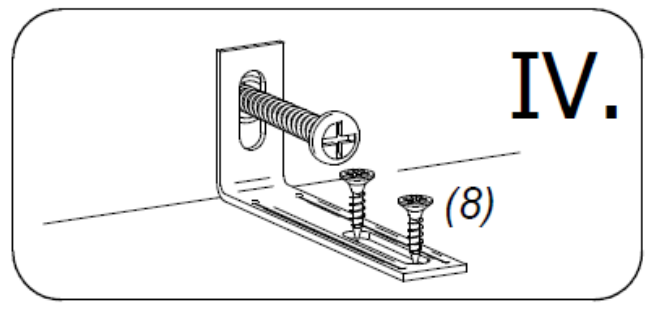
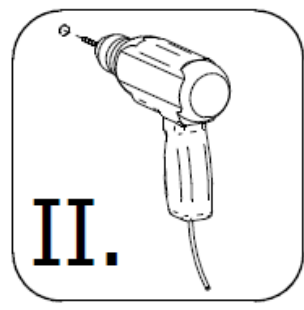
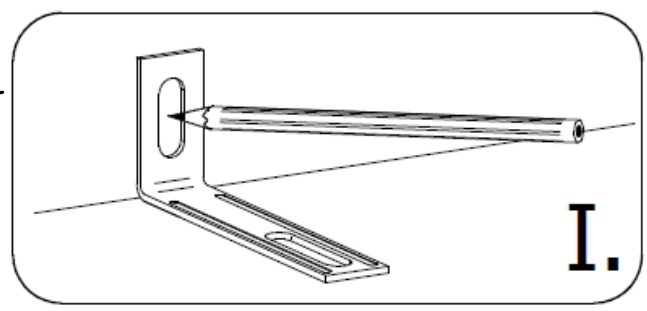
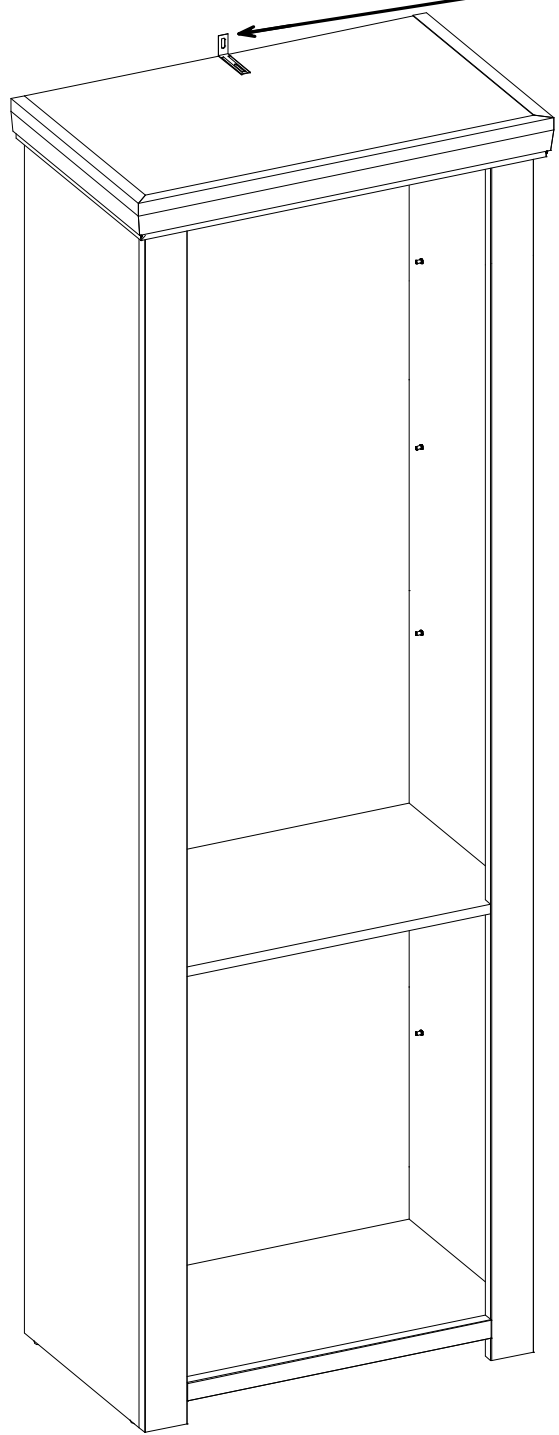


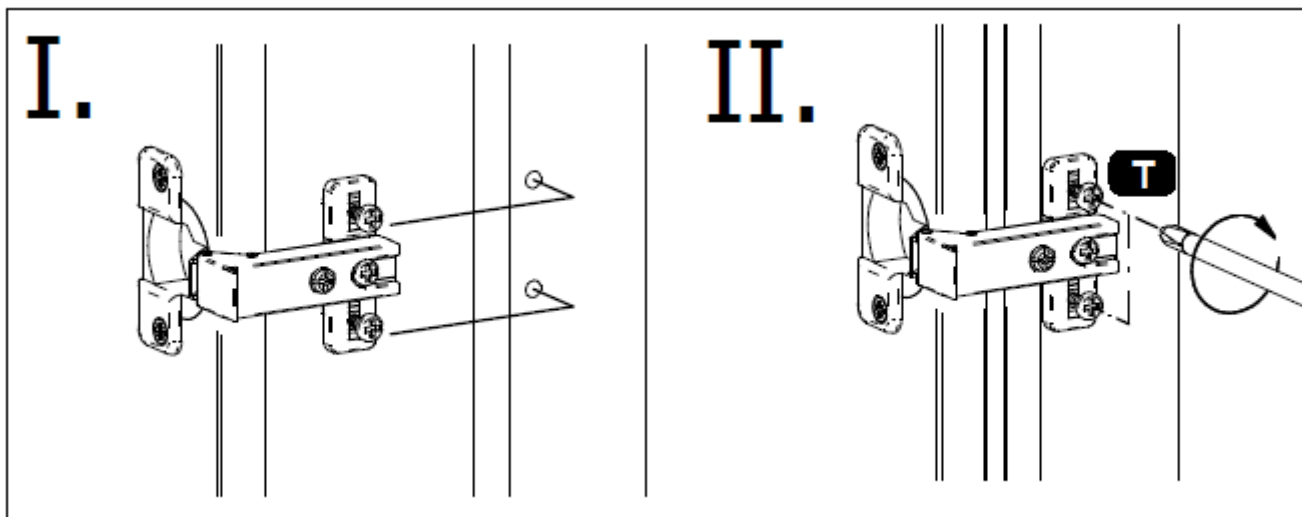
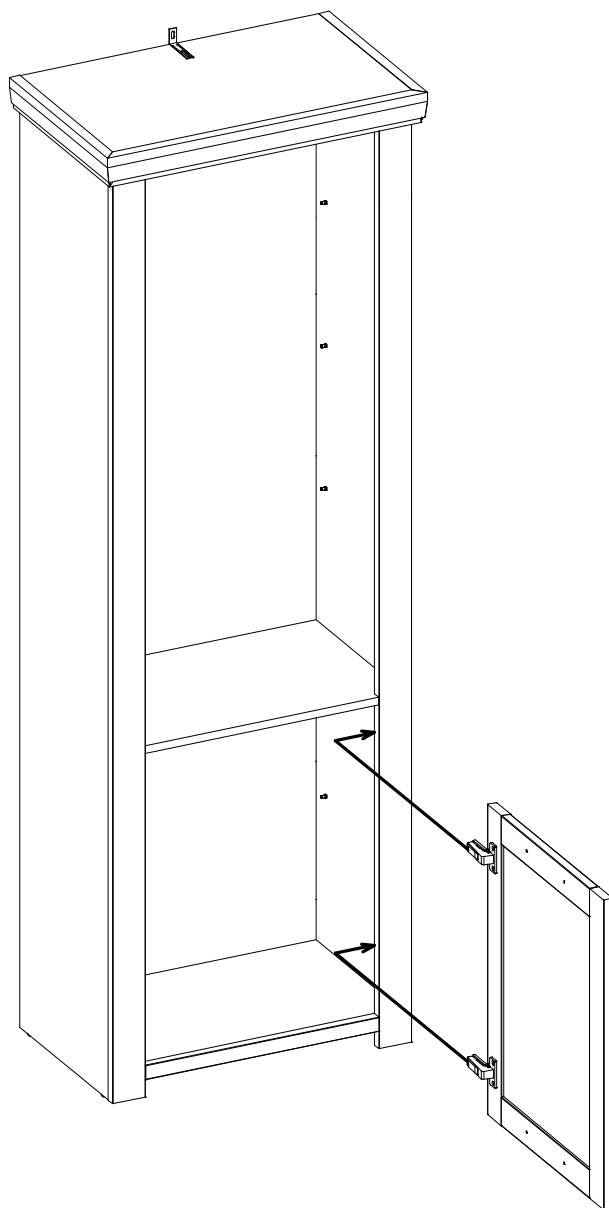
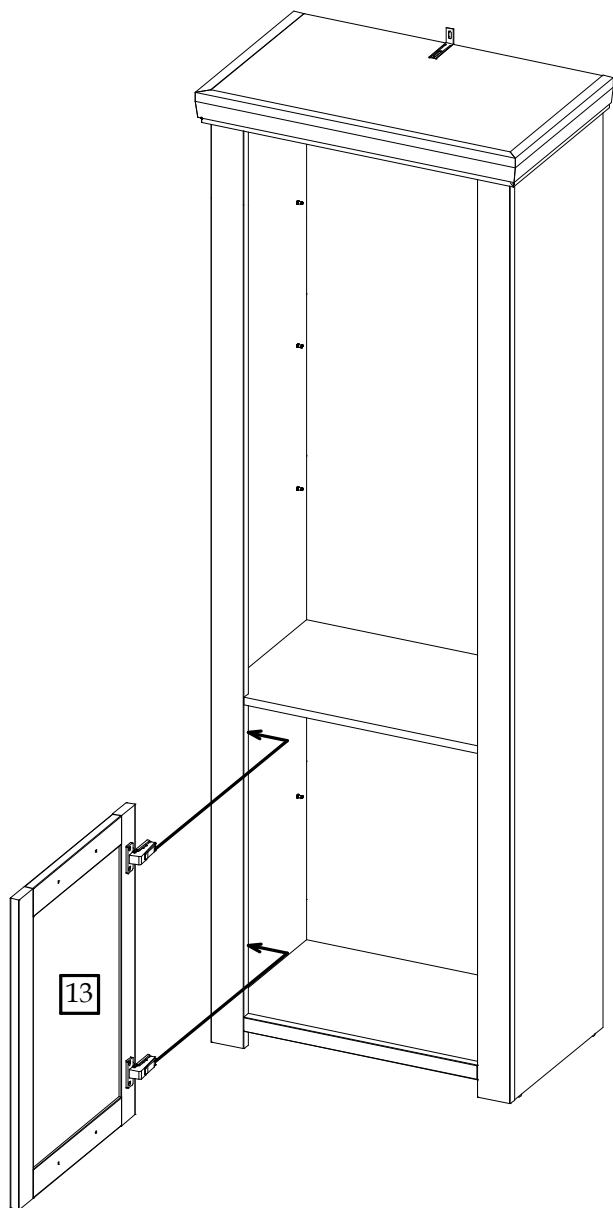
8

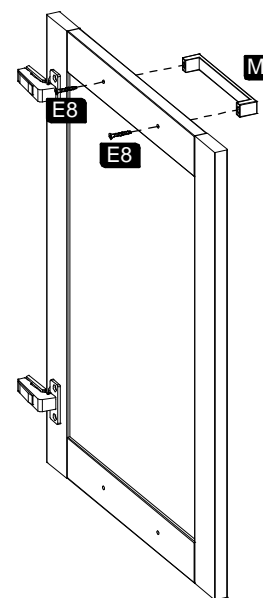
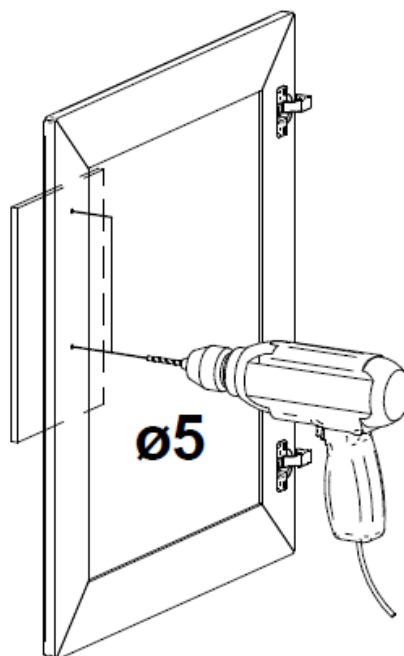
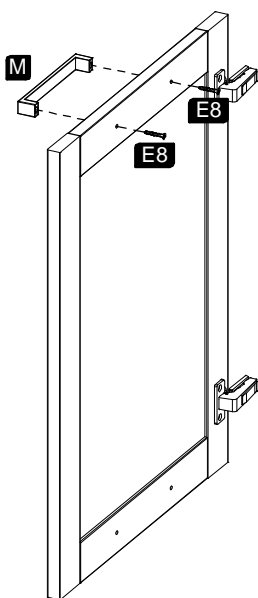
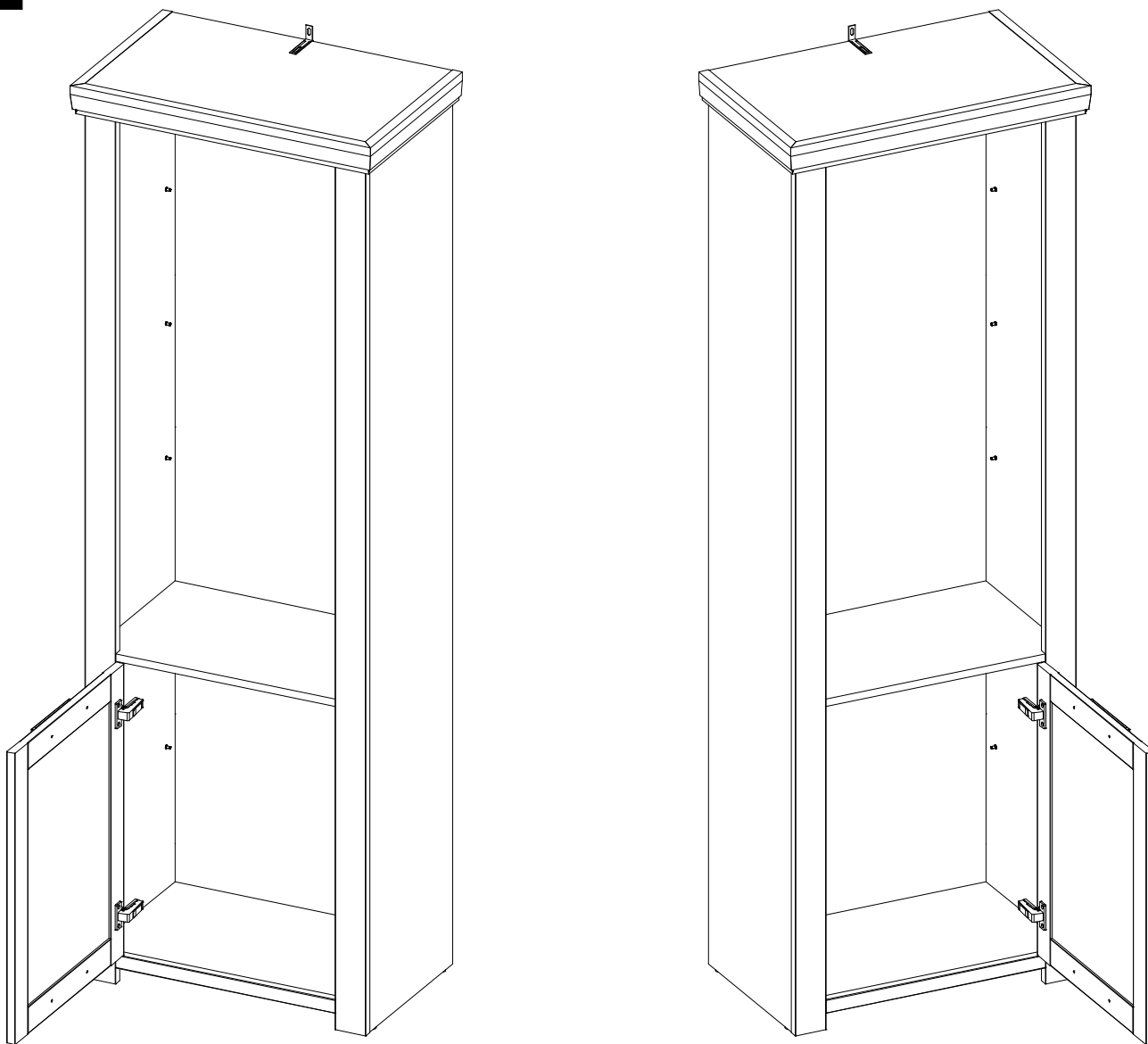


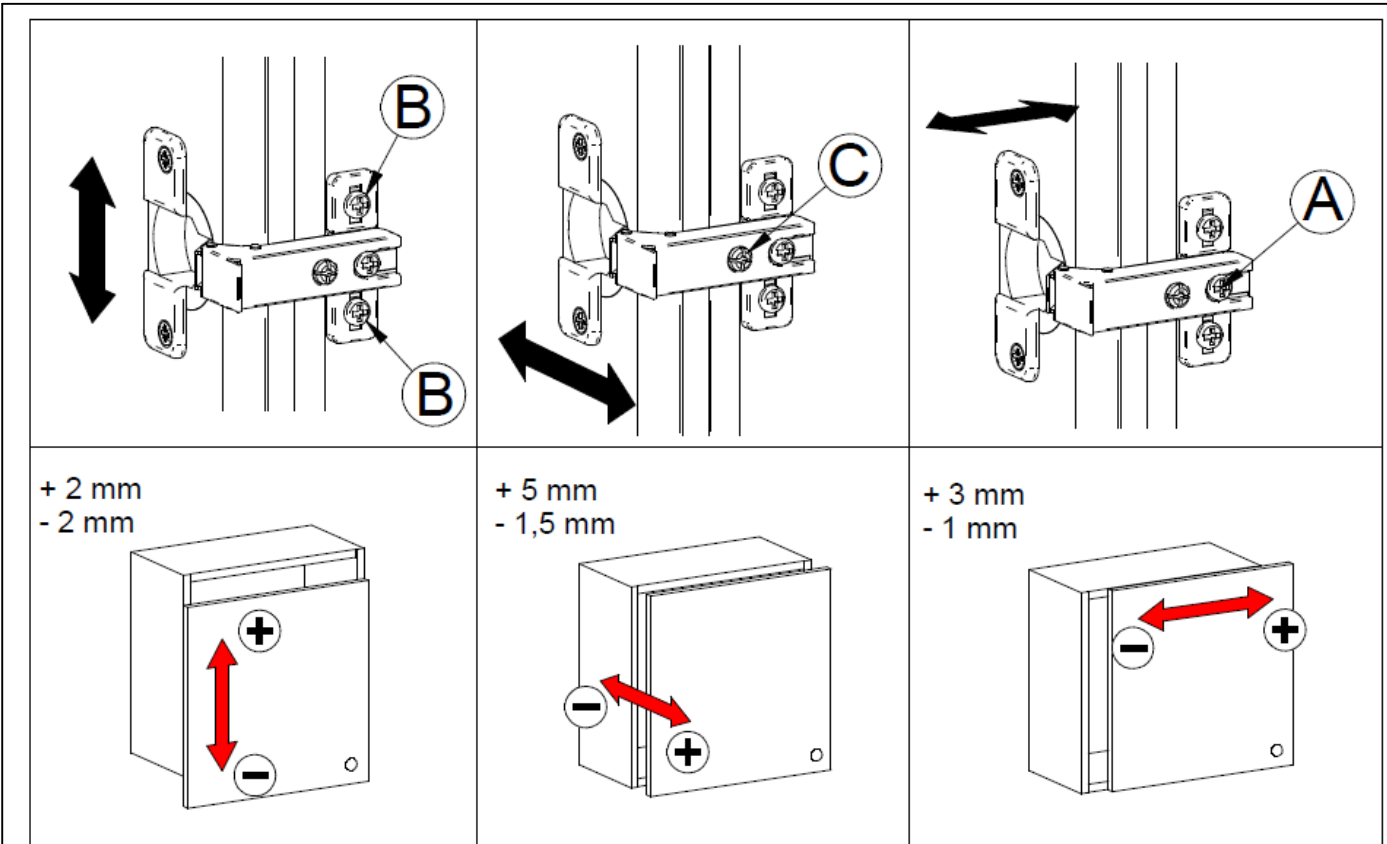
9











13

