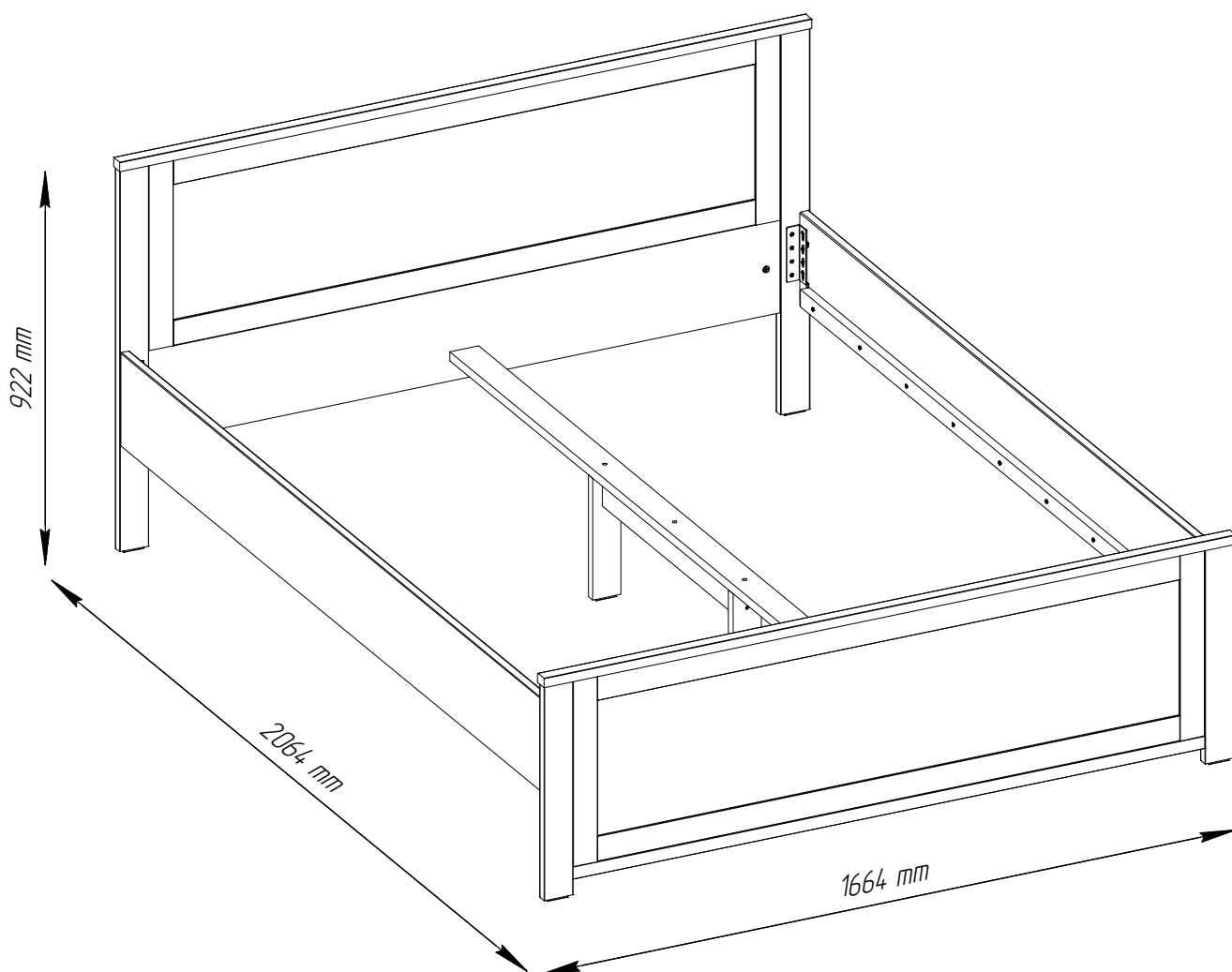
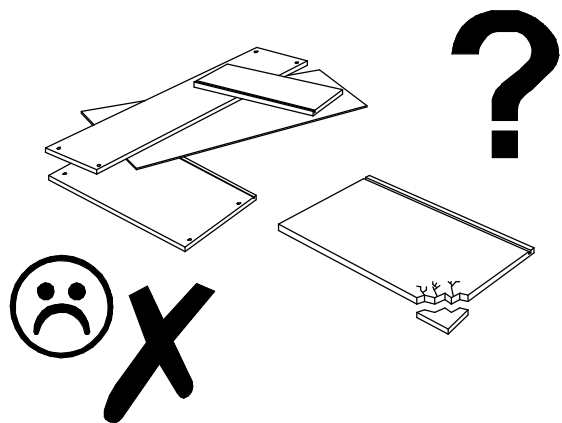
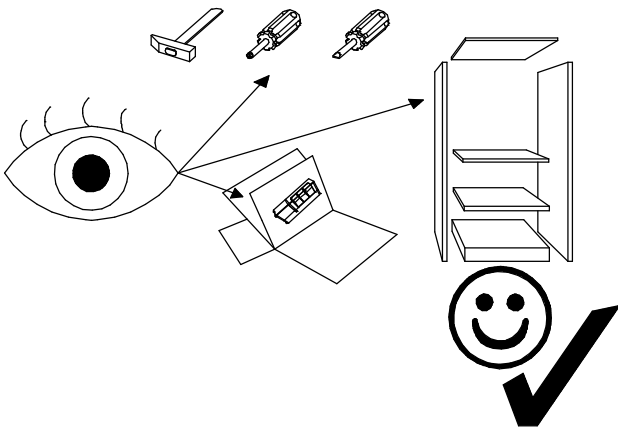
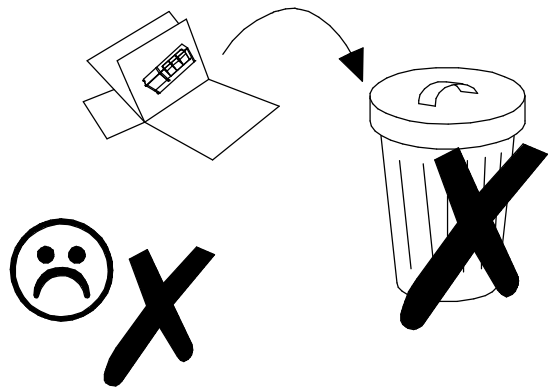
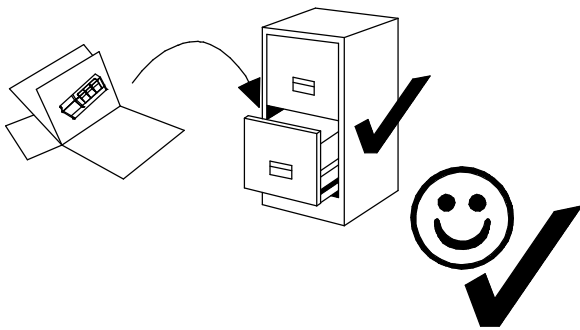
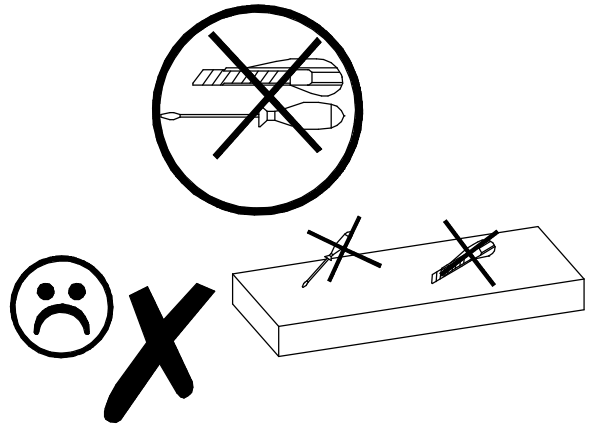
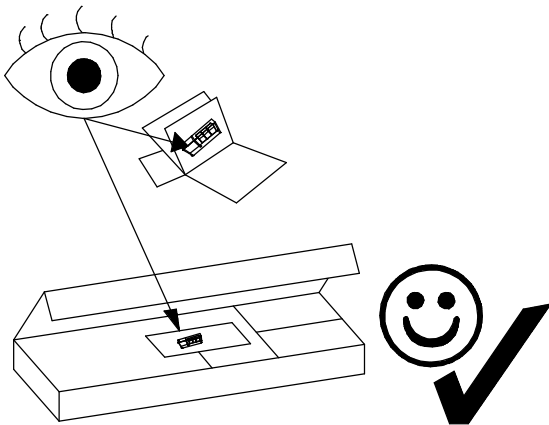
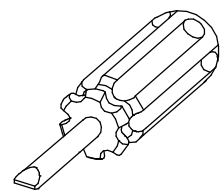
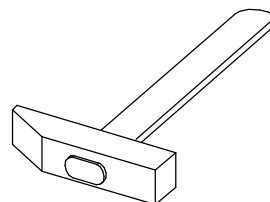
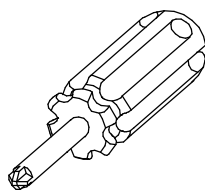
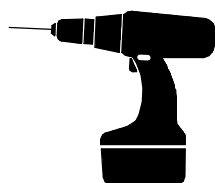
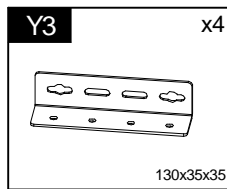
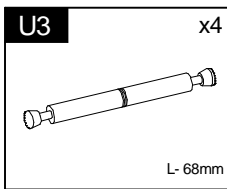
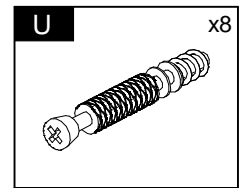
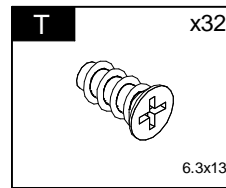
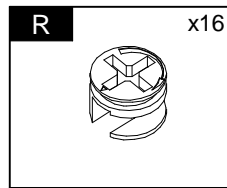
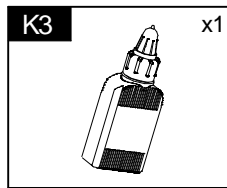
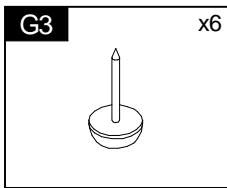
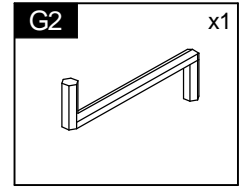
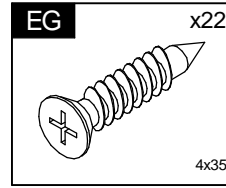
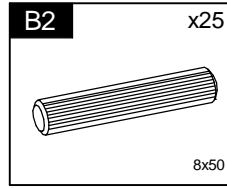
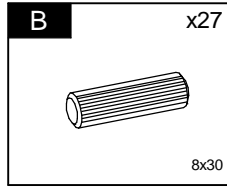
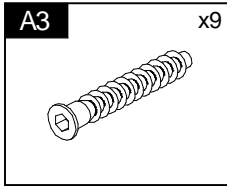
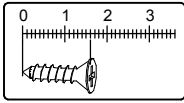
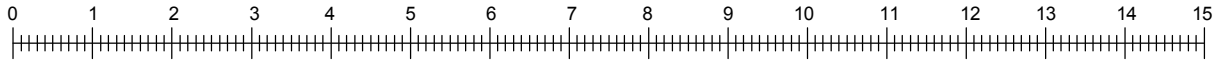


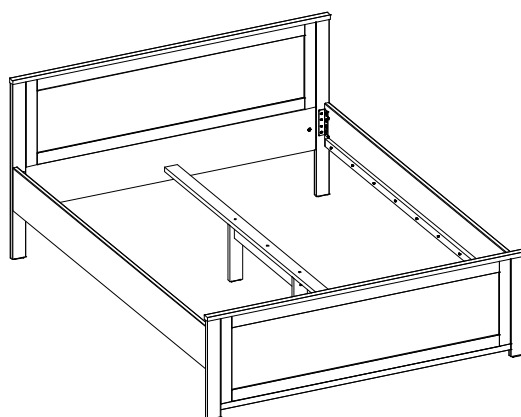
SUDBURY

Typ Z2 (160)

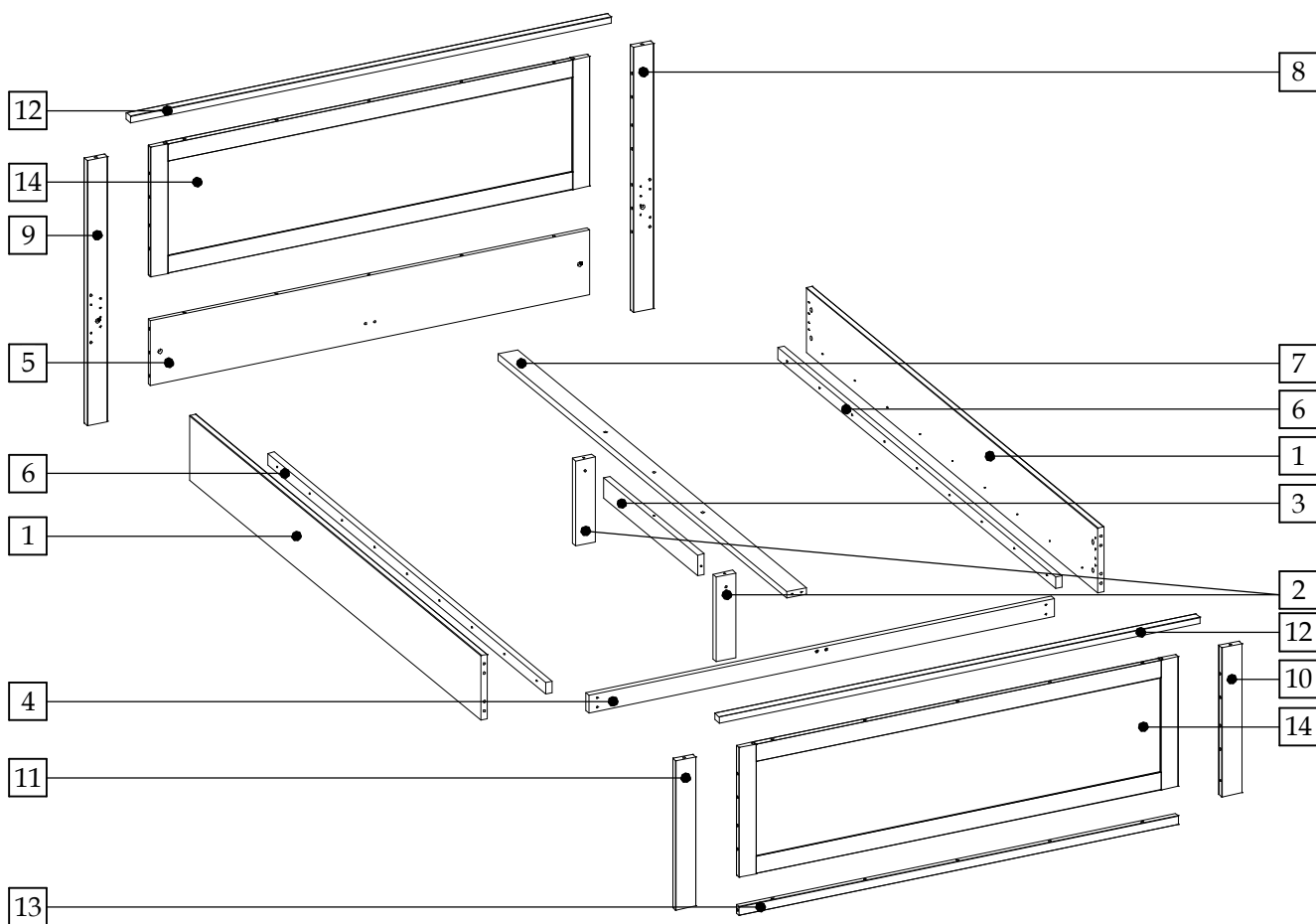


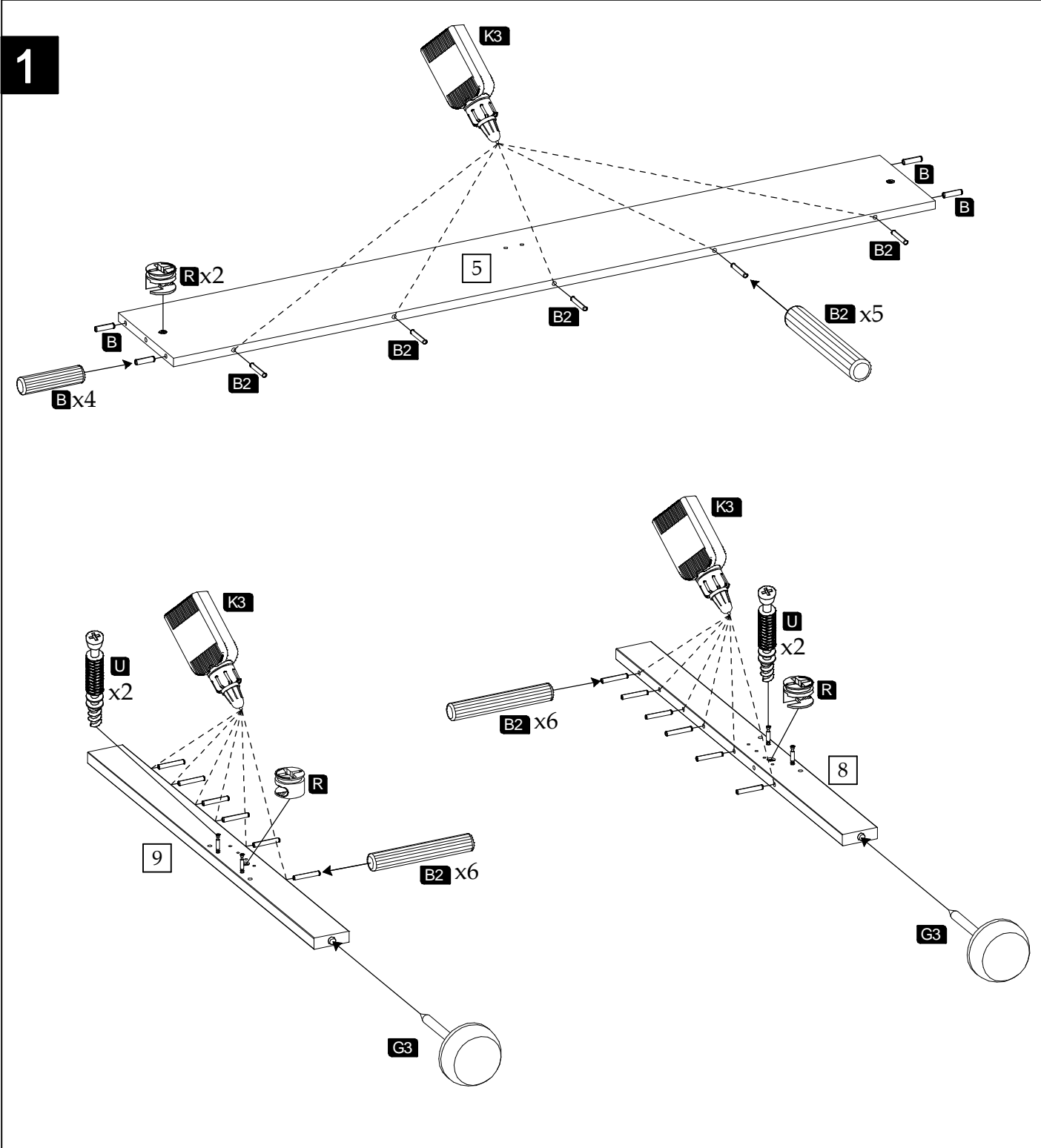
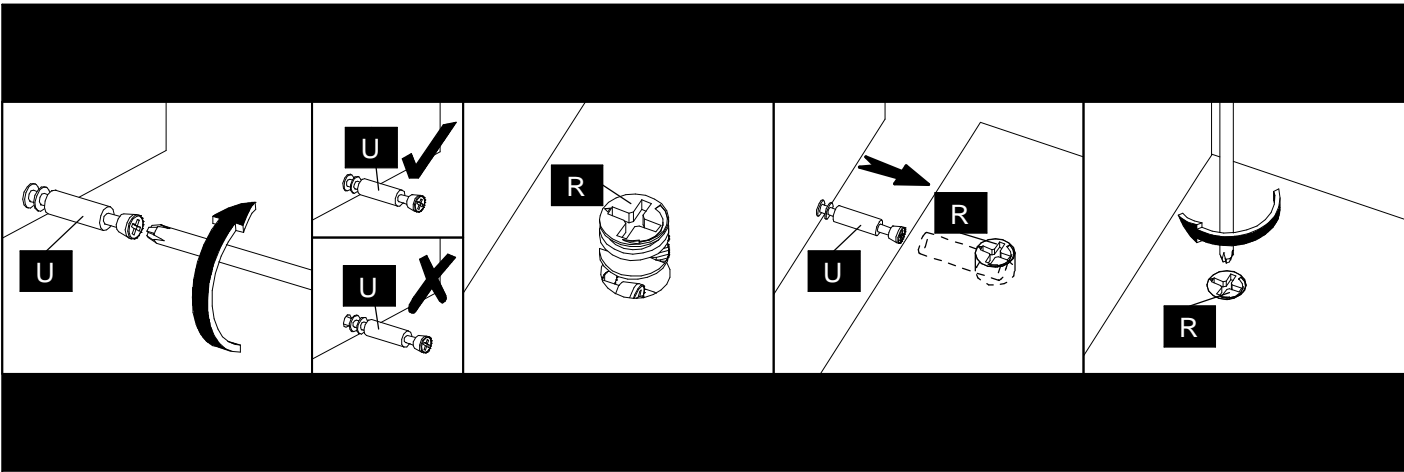




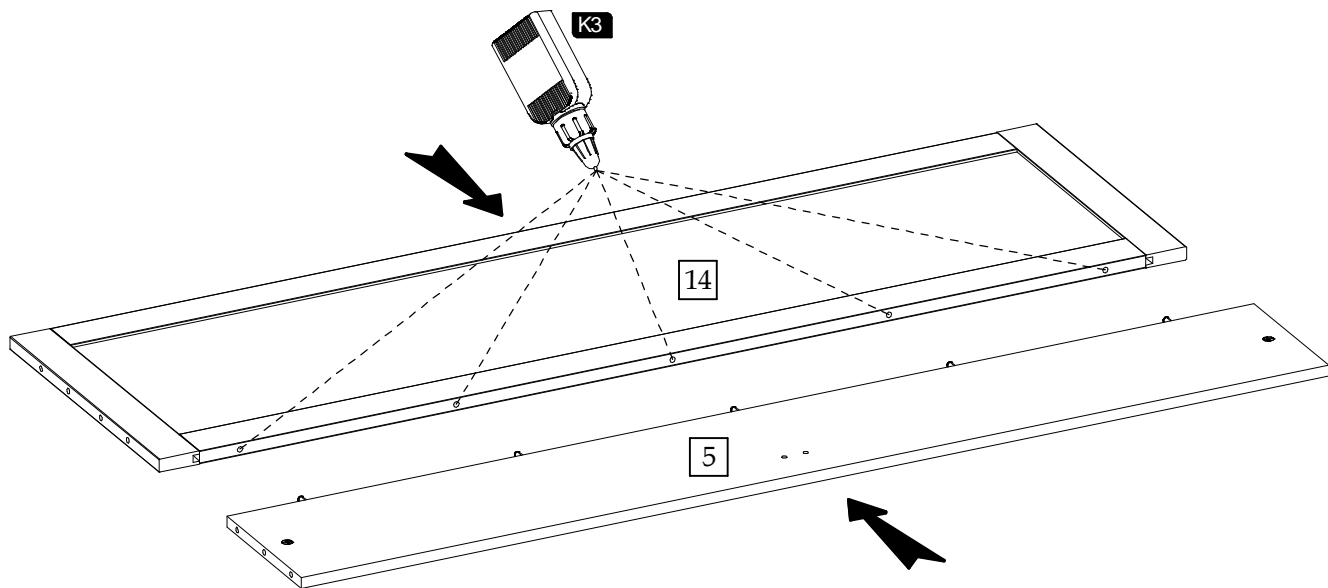


Element symbol	Measurements				Code	Paket
1	2012	220	22	2	1006	2/2
2	288	68	22	2	1016	2/2
3	650	70	22	1	1018	2/2
4	1610	60	22	1	1019	2/2
5	1520	220	16	1	1003	2/2
6	1920	40	22	2	1007	2/2
7	1993	68	22	1	1015	2/2
8	900	70	22	1	3042	2/2
9	900	70	22	1	3043	2/2
10	506	70	22	1	3044	2/2
11	506	70	22	1	3045	2/2
12	1664	30	19	2	3046	2/2
13	1520	30	19	1	3047	2/2
14	1520	440	19	2	3048	1/2

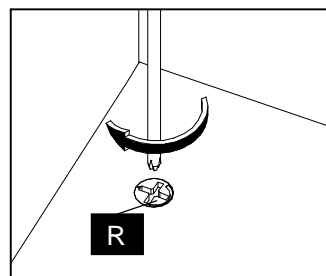
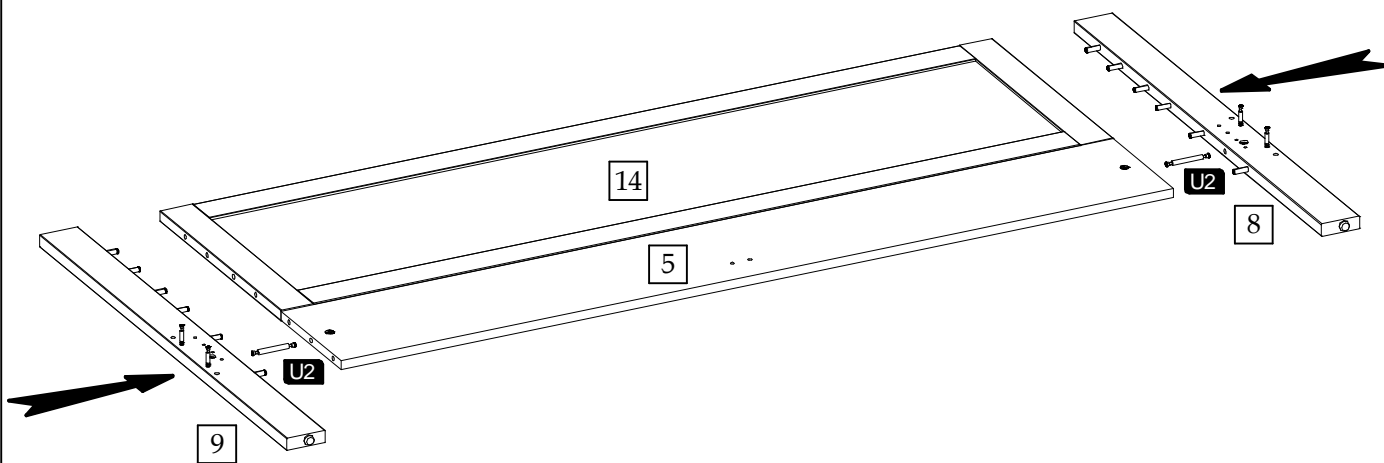


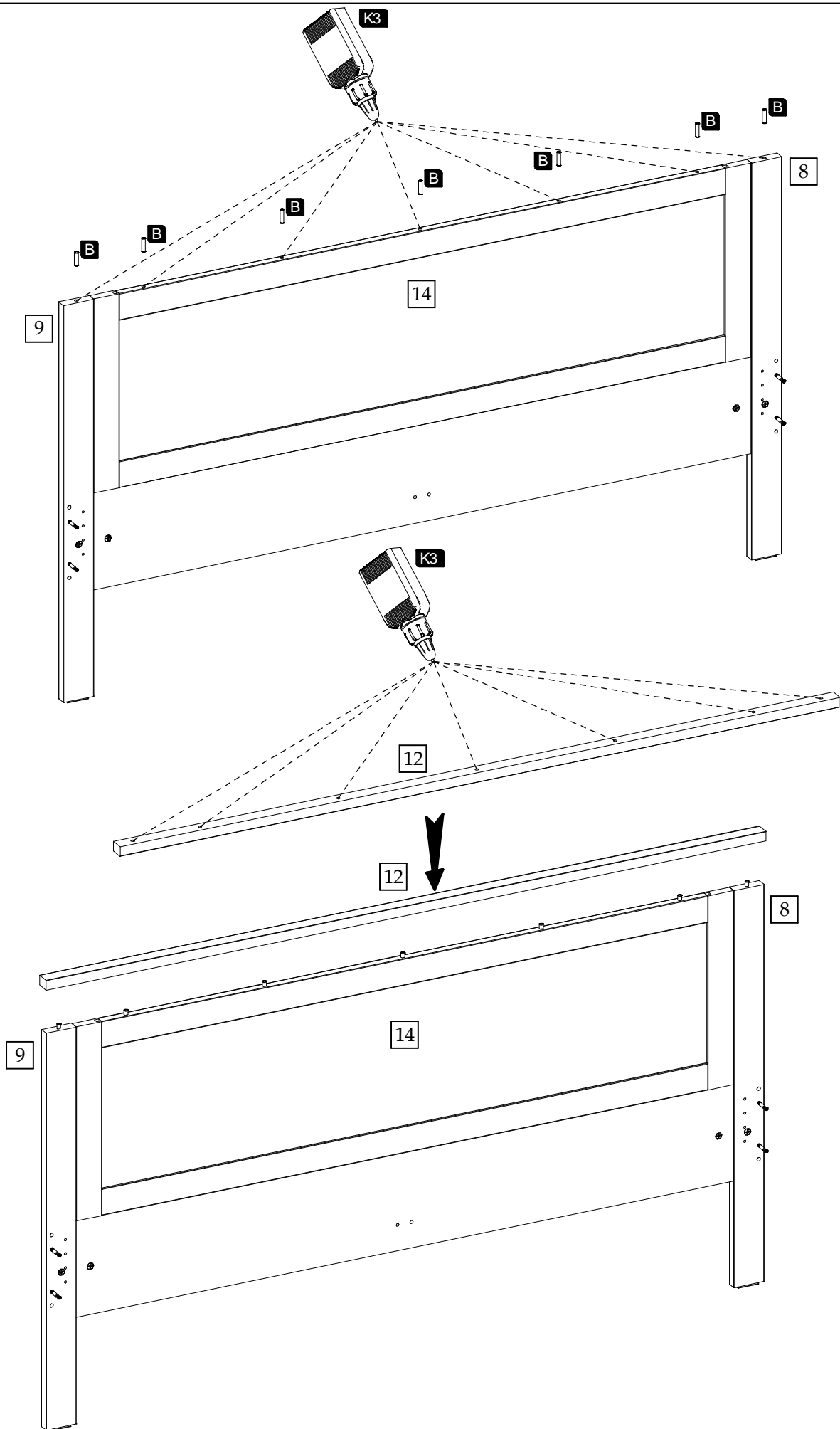


2

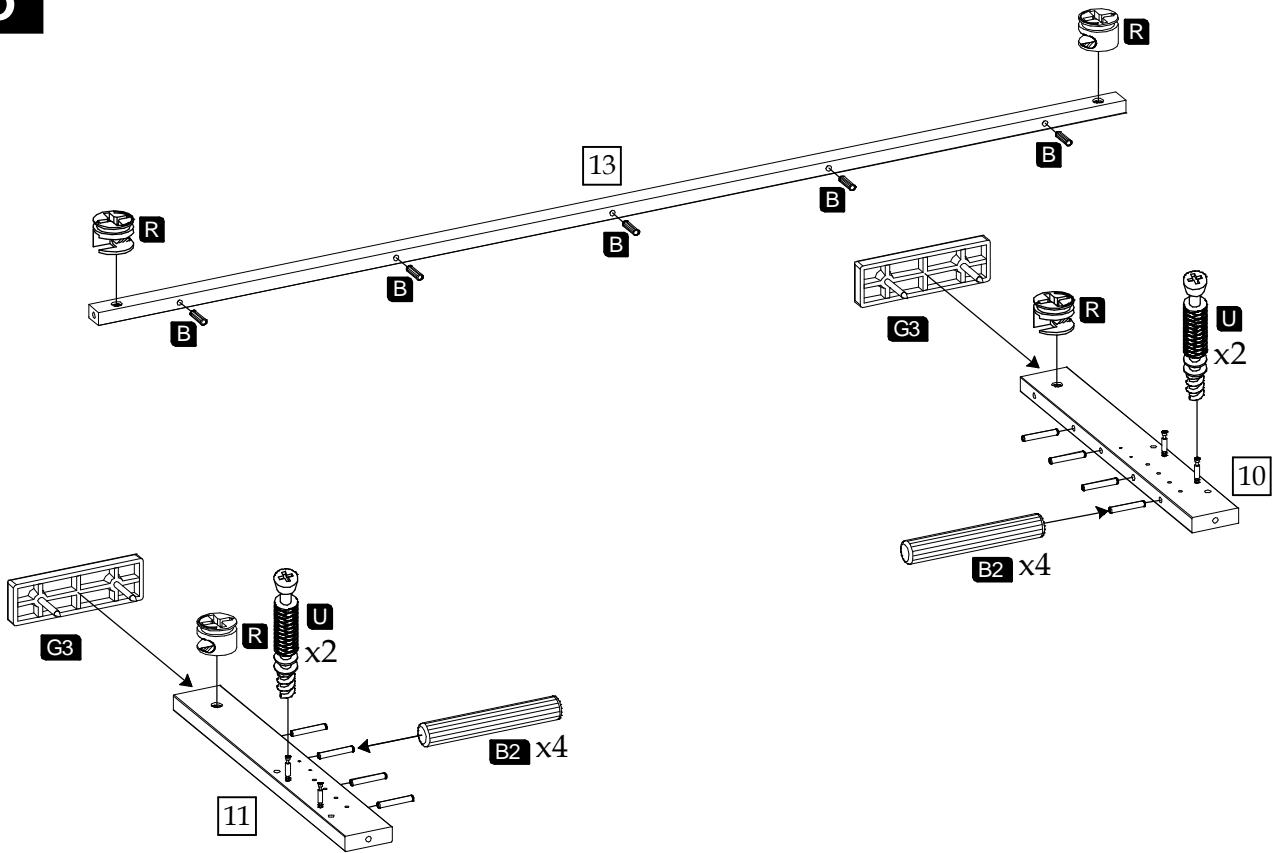


3

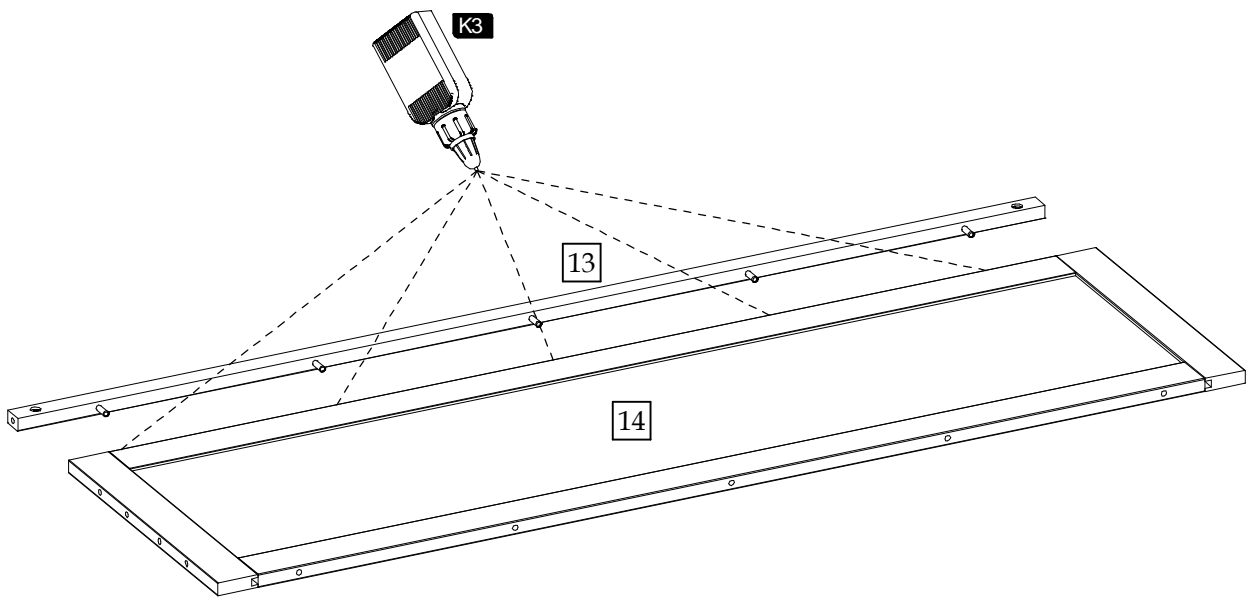




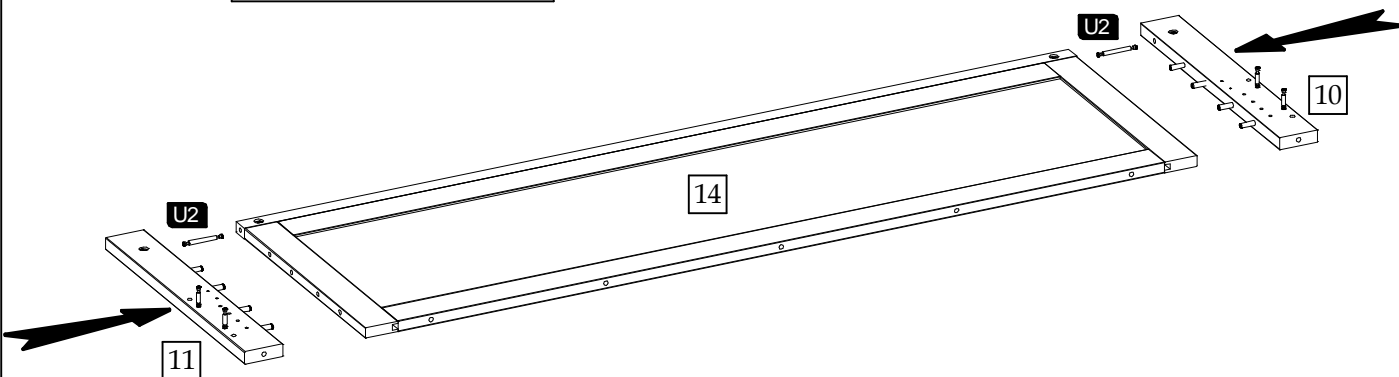
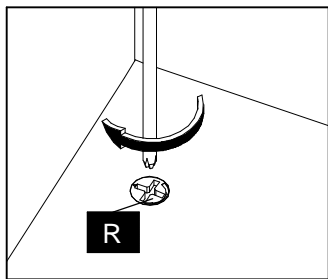
5



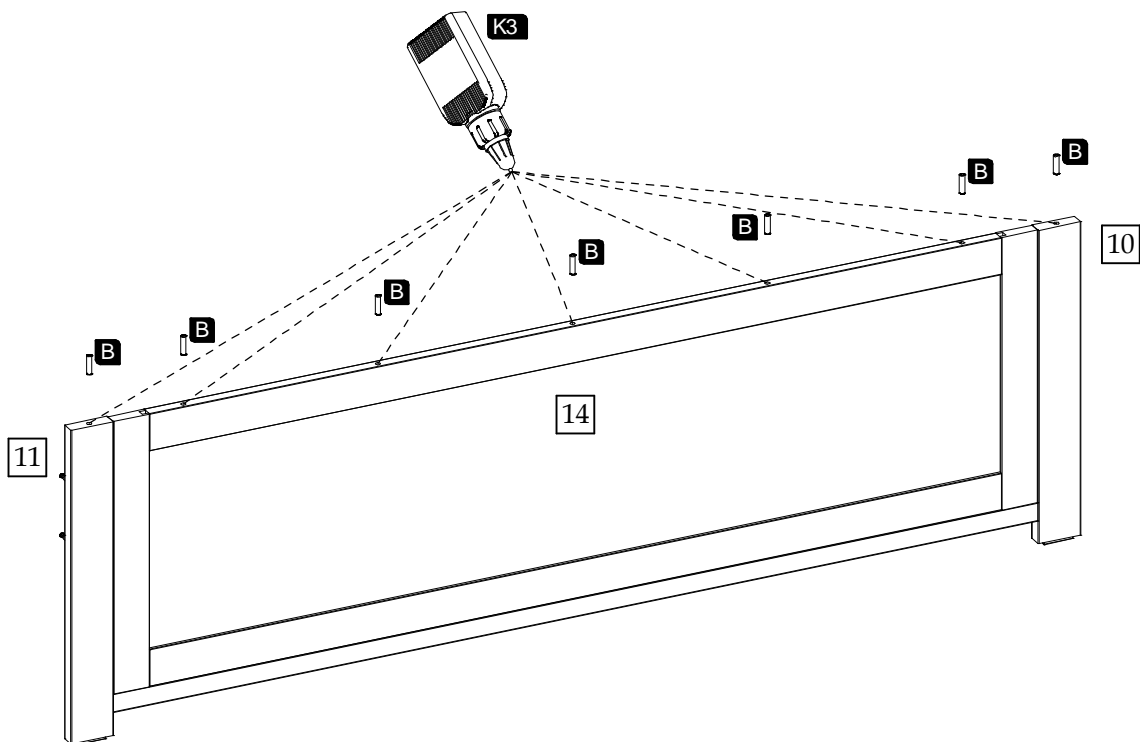
6



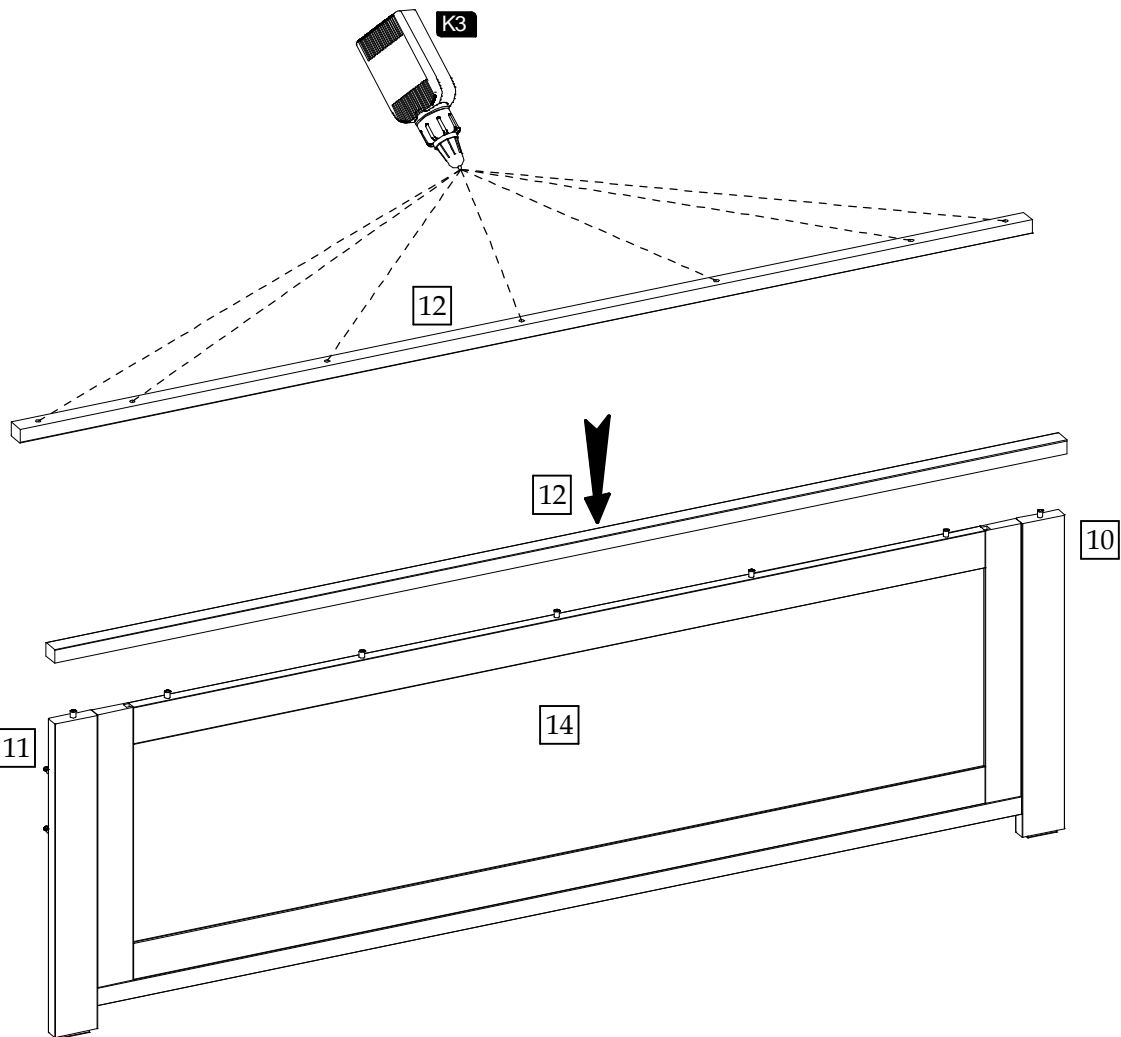
7



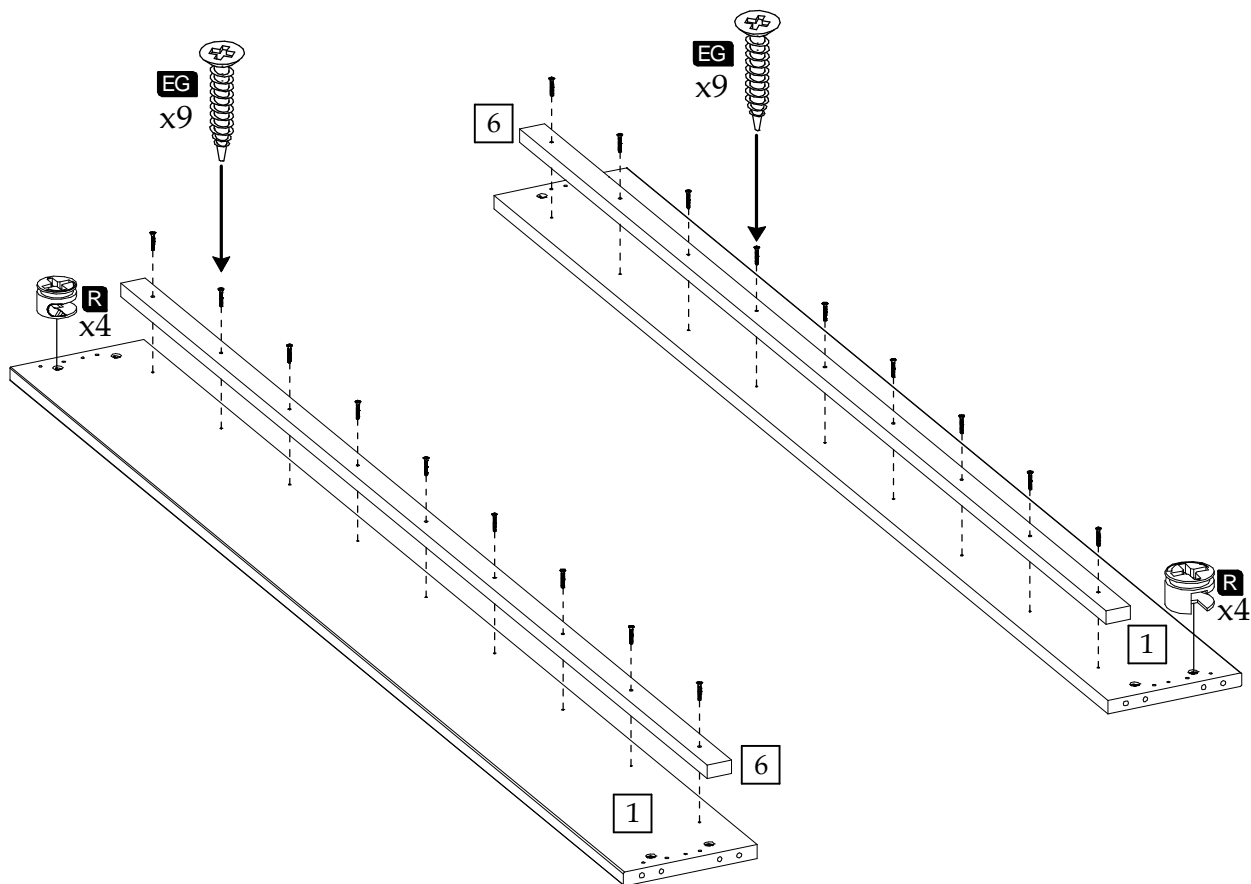
8



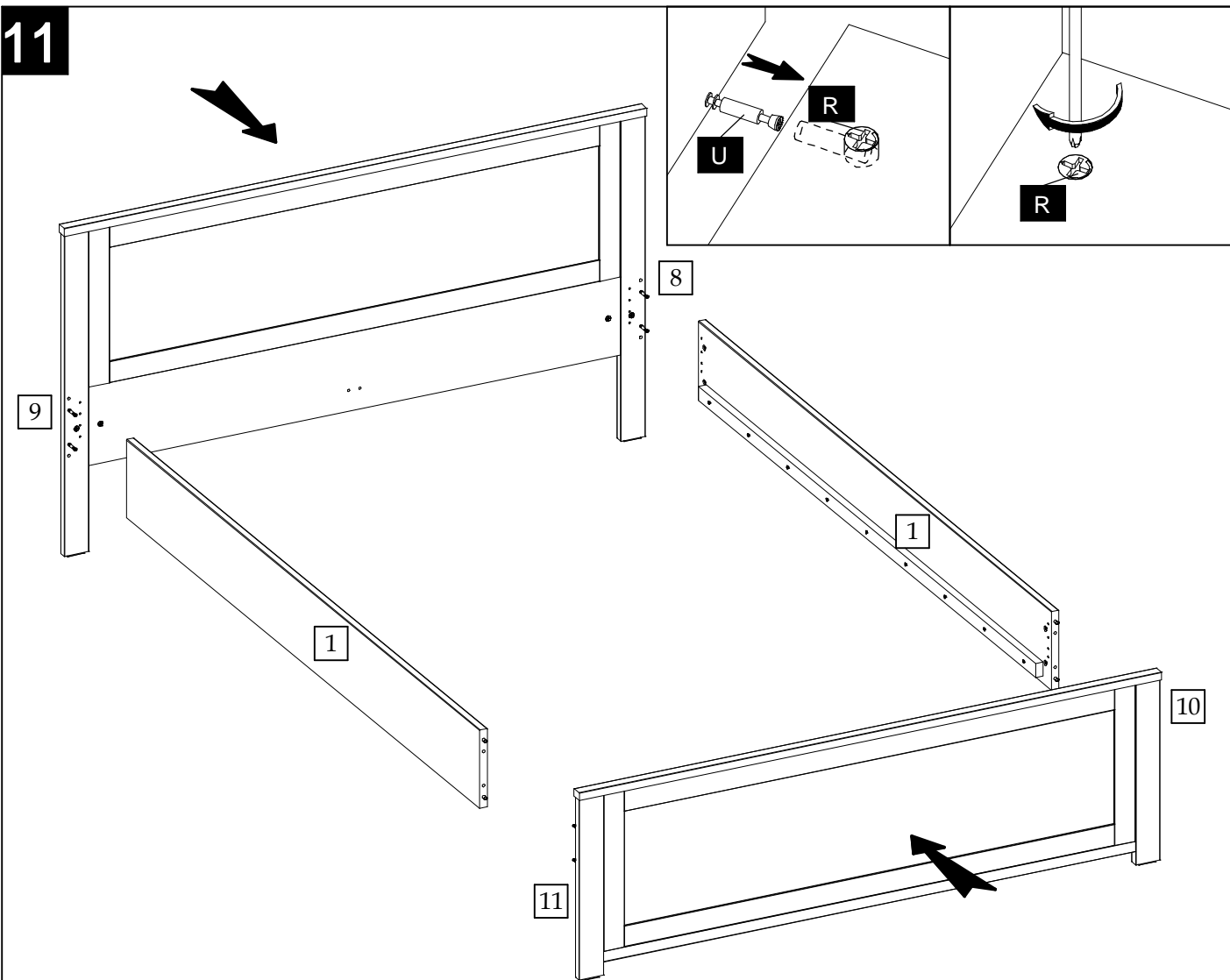
9



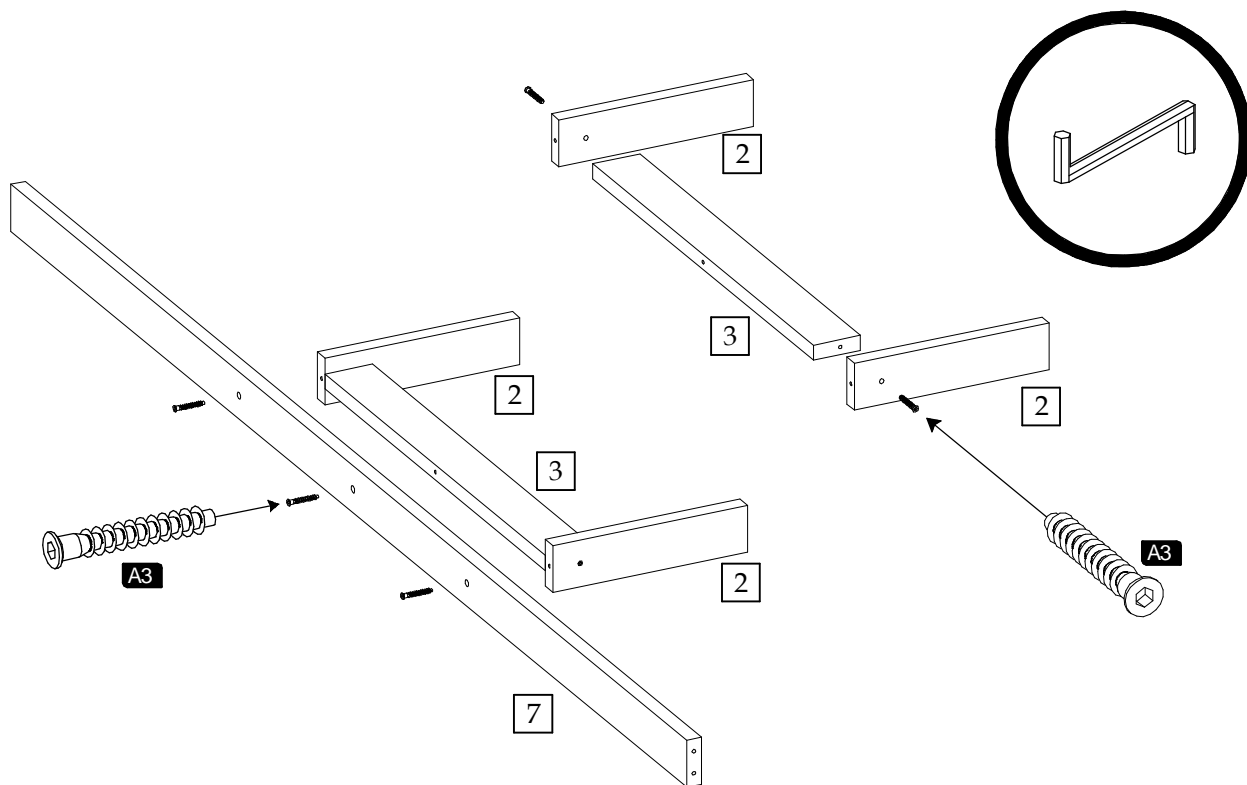
10

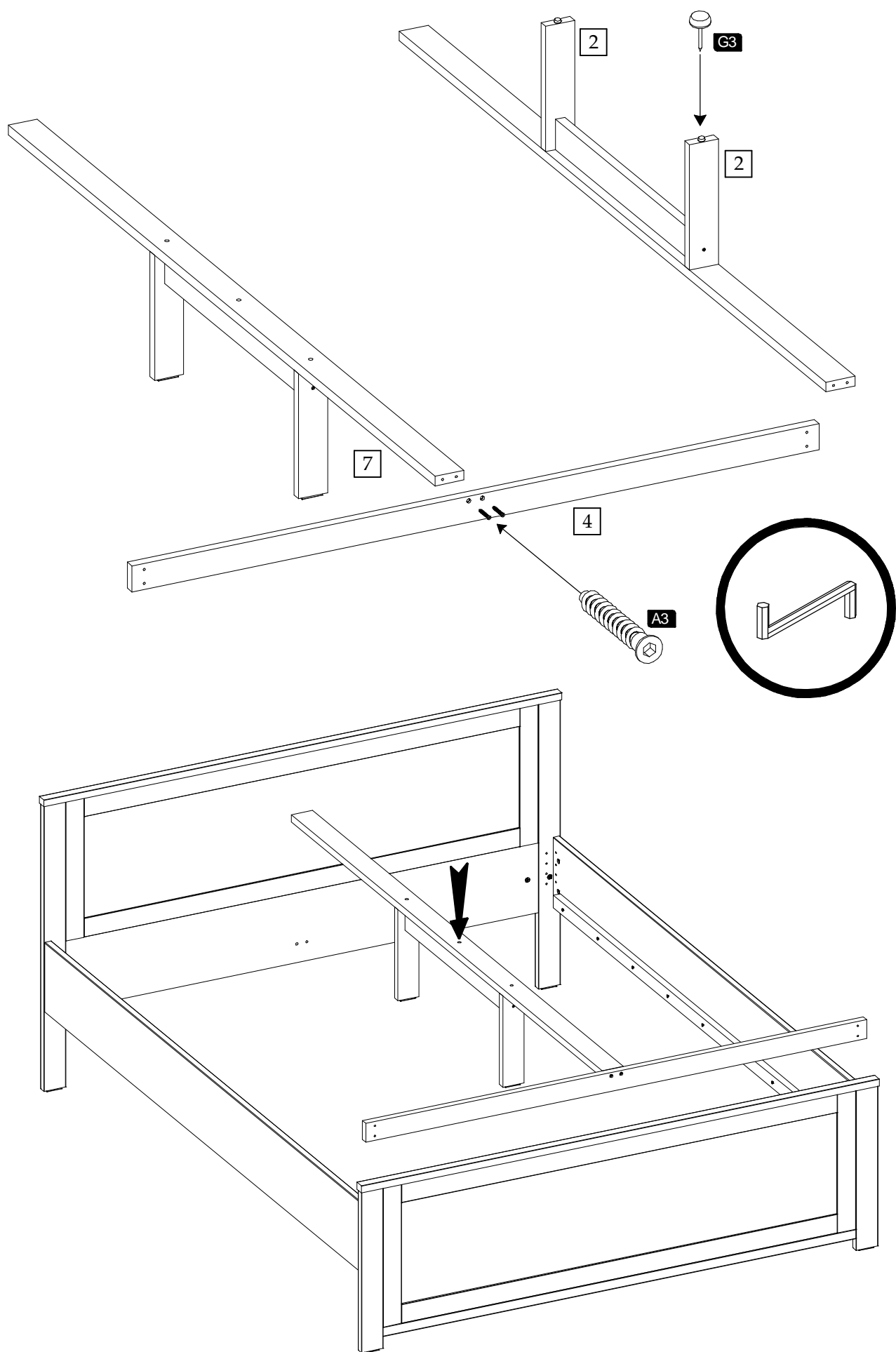


11

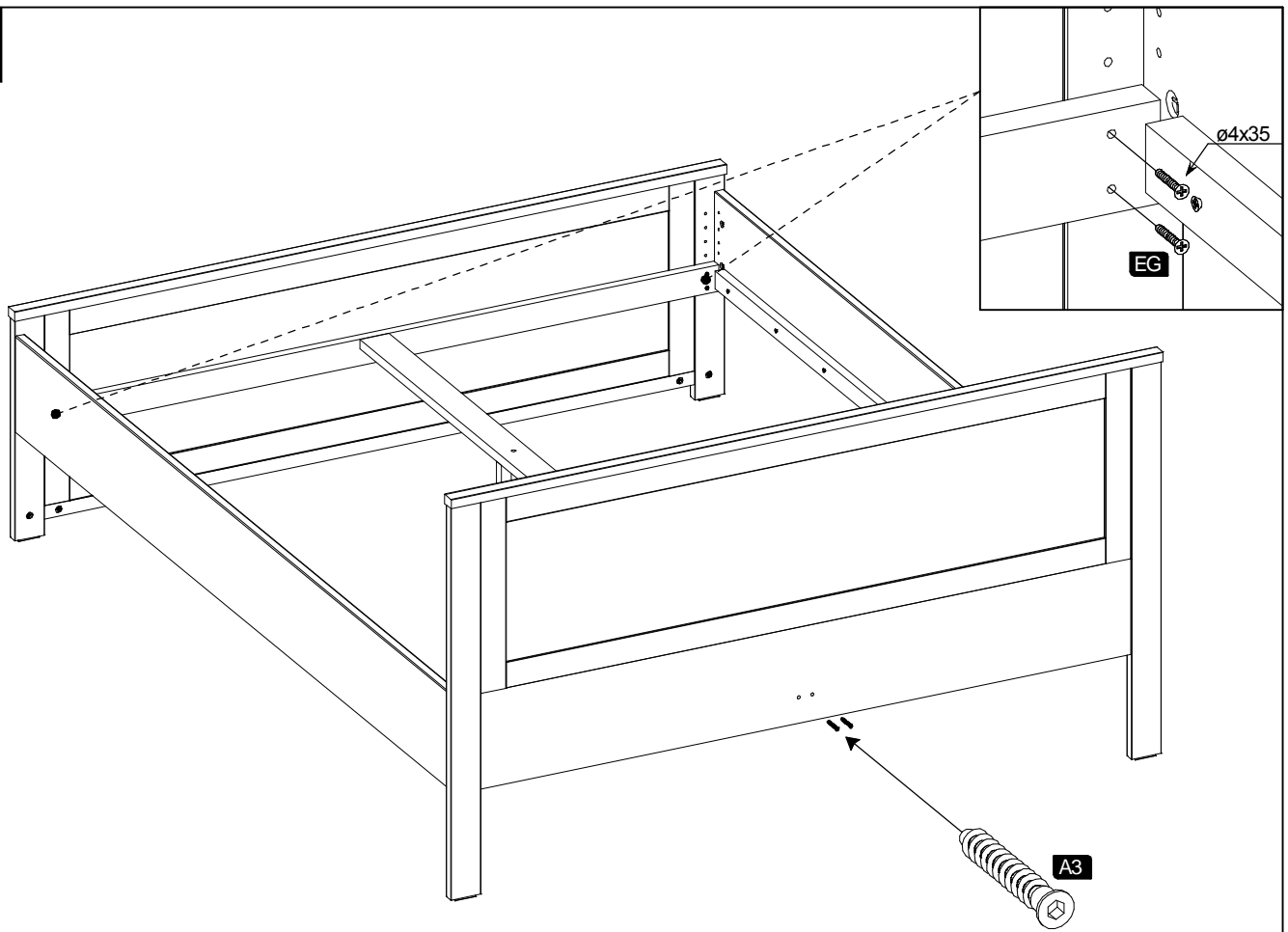


12





14



15

