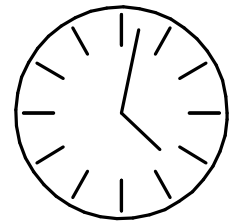
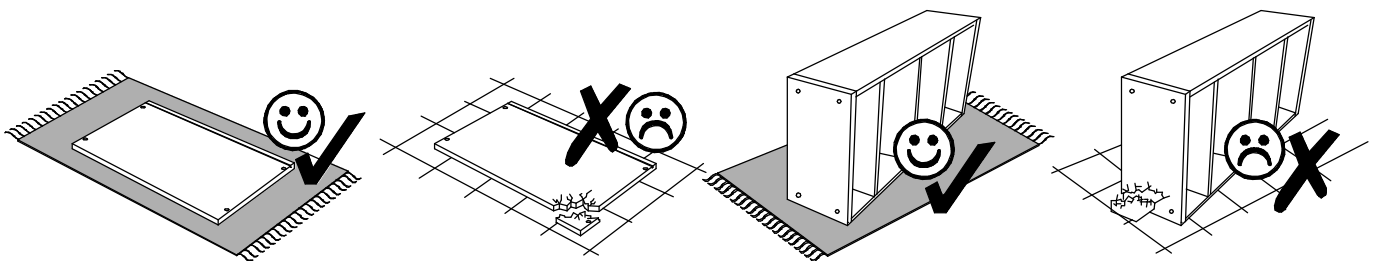
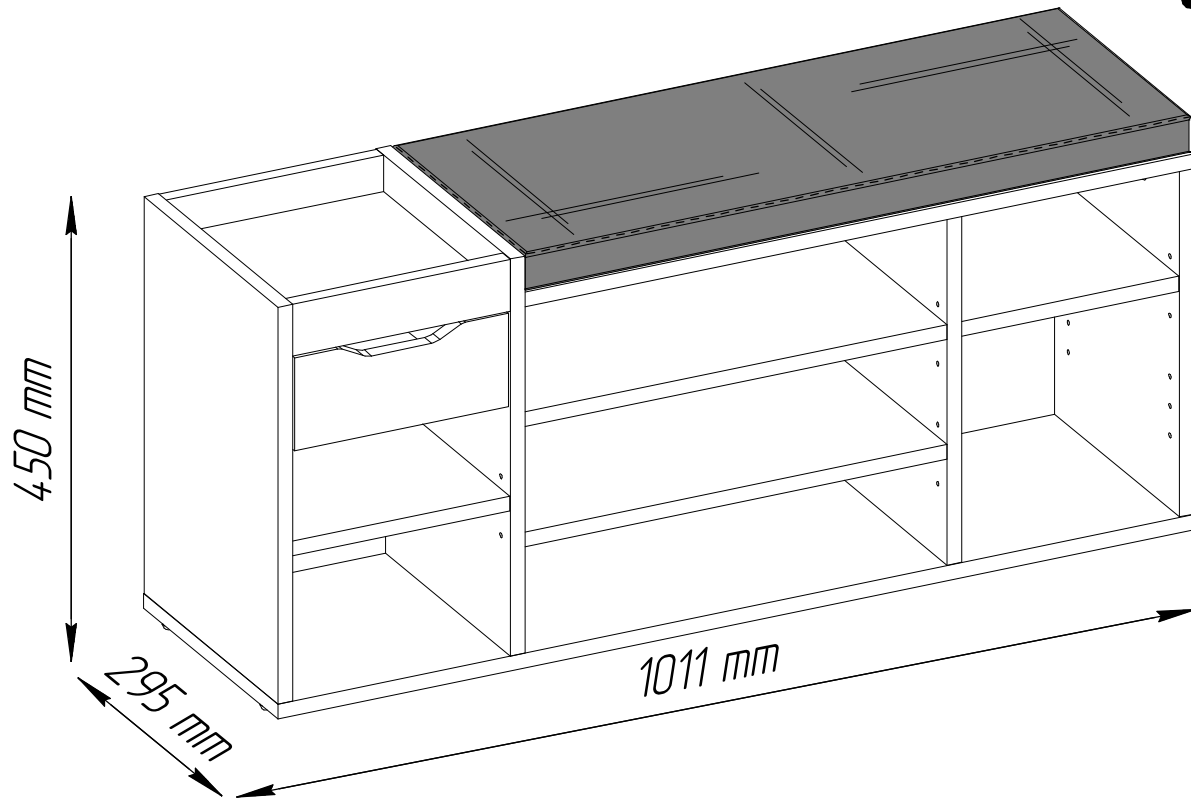
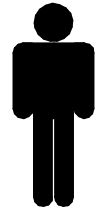
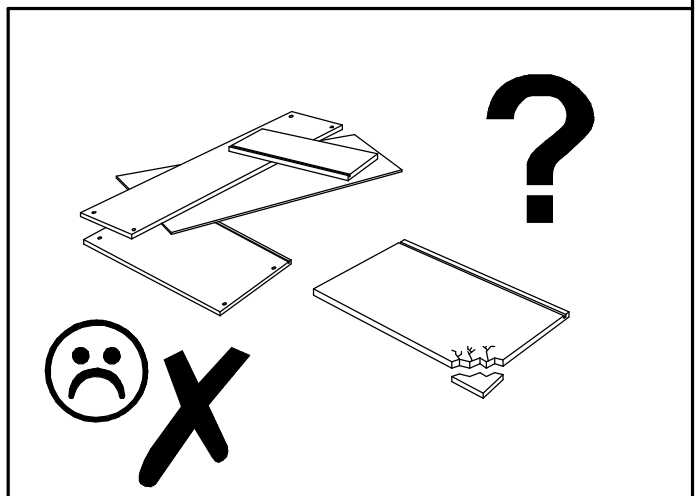
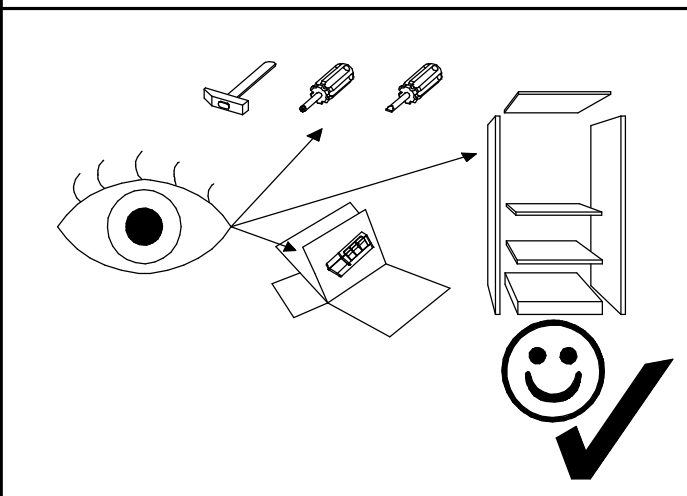
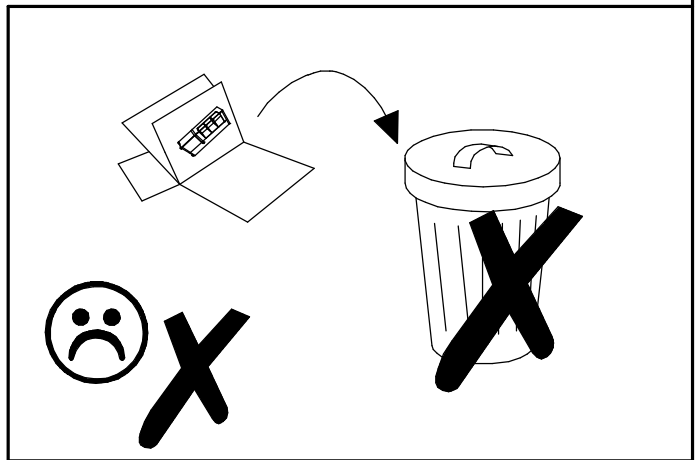
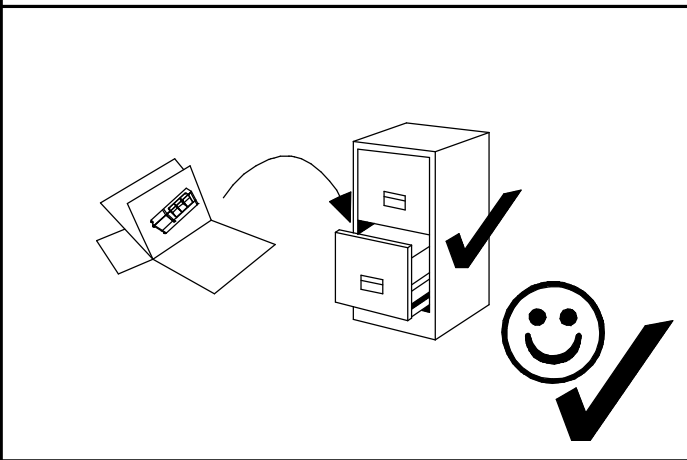
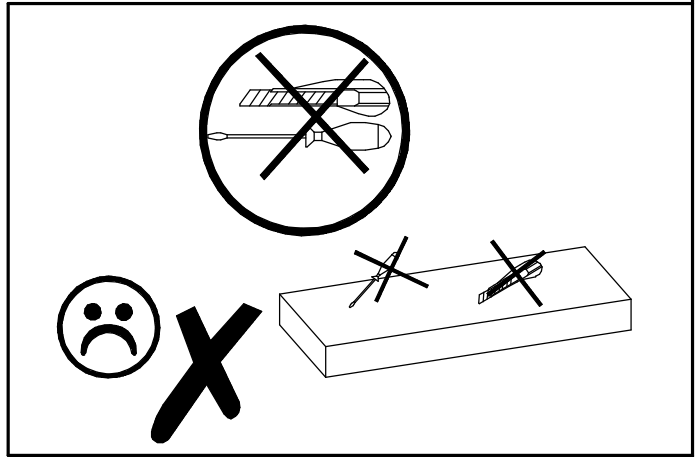
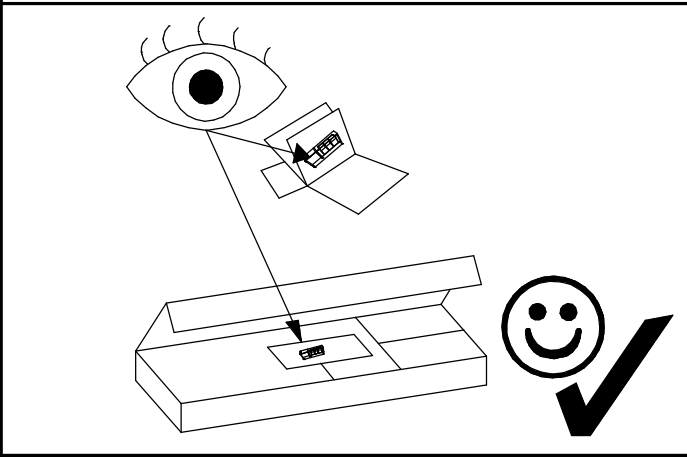


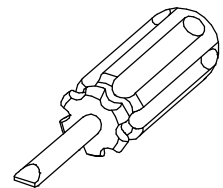
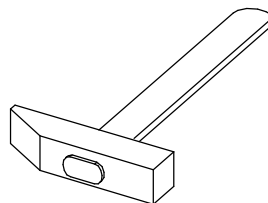
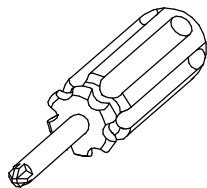
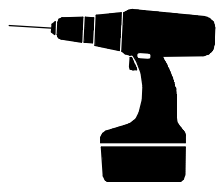
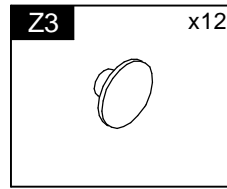
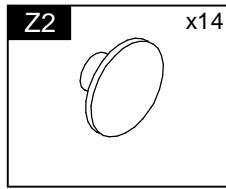
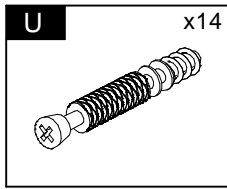
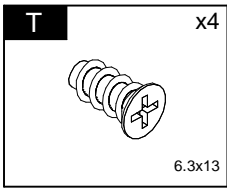
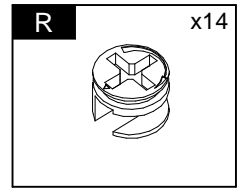
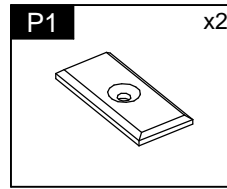
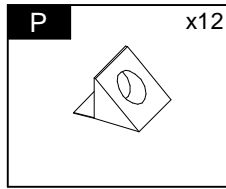
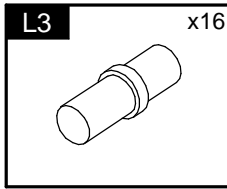
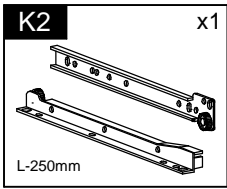
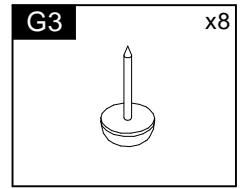
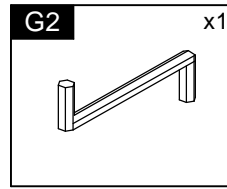
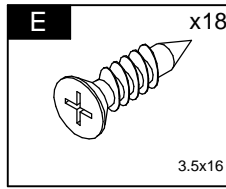
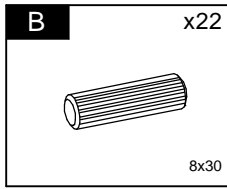
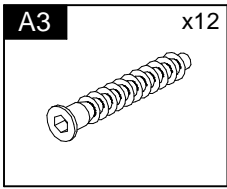
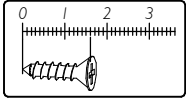
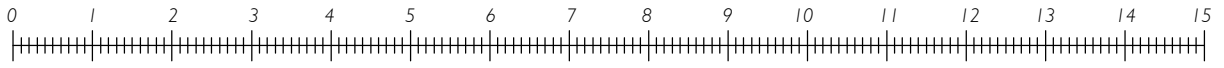
GL 1309



50 min

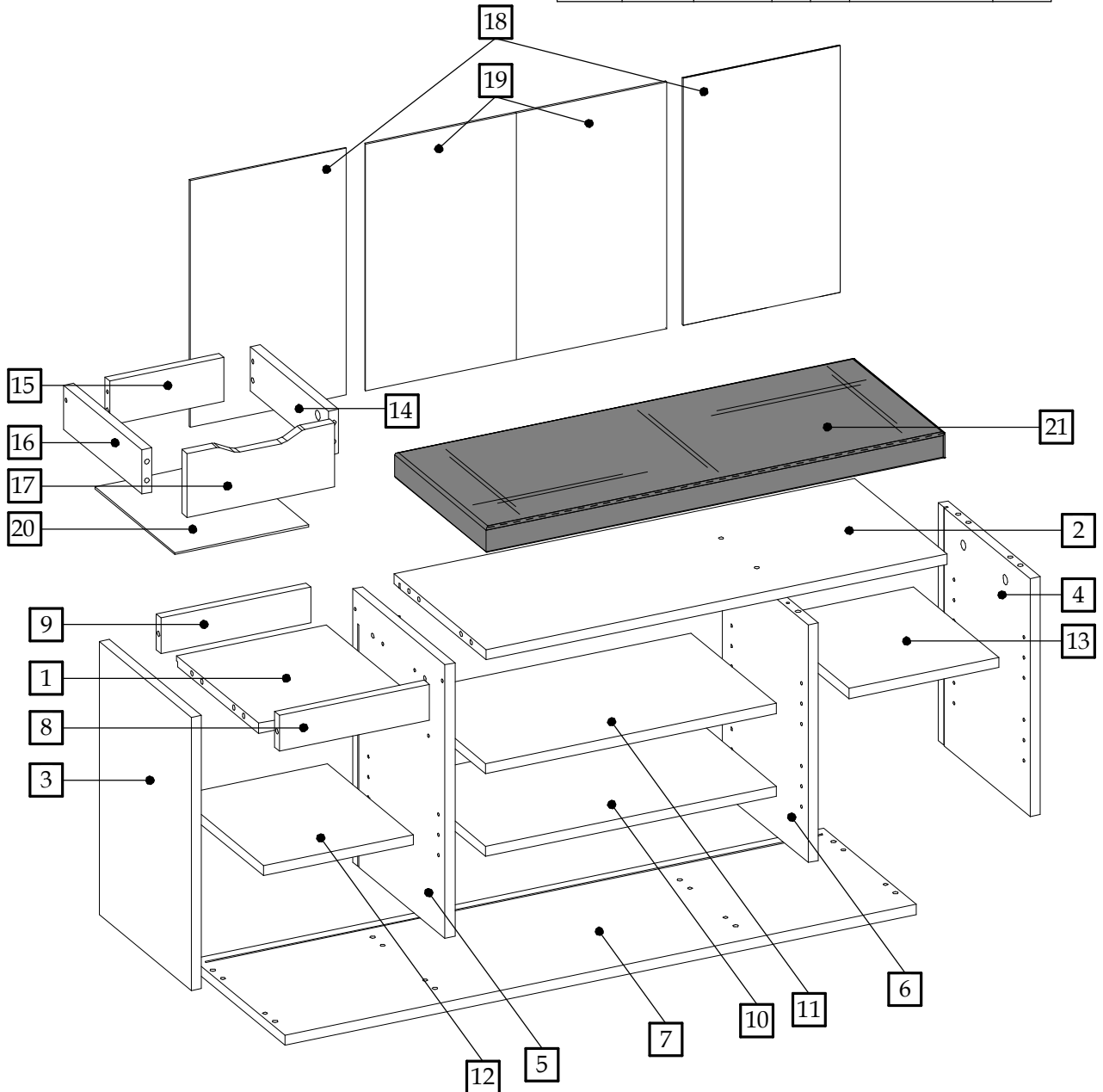


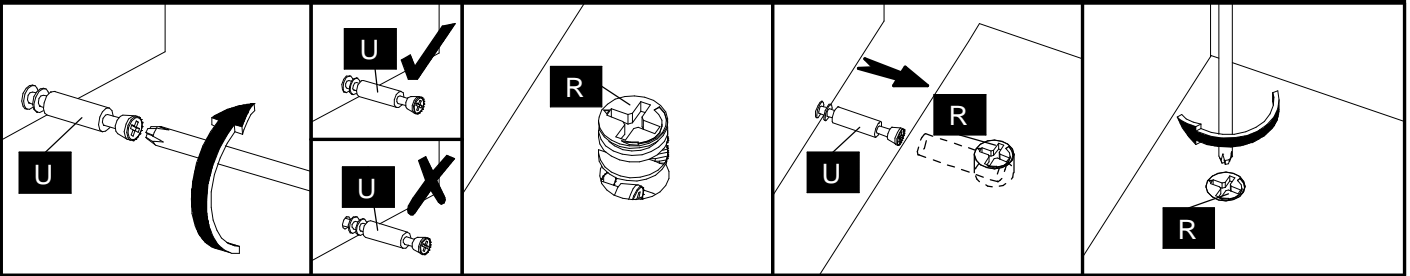




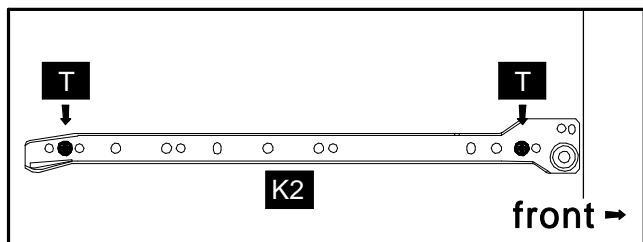
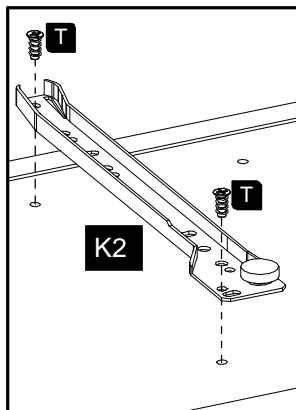
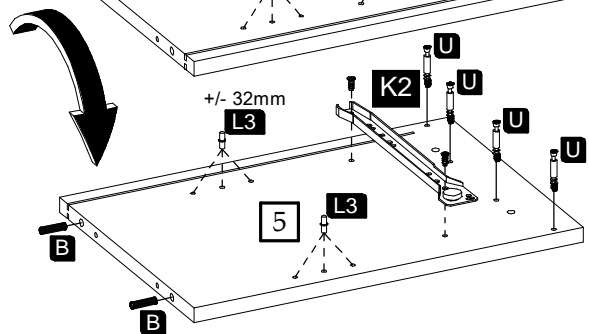
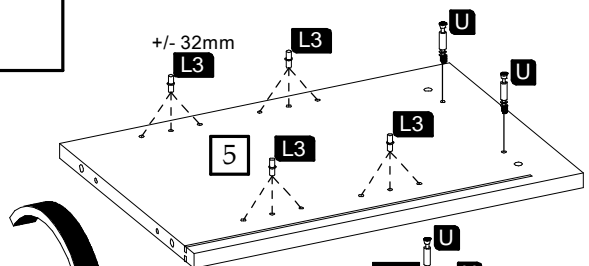
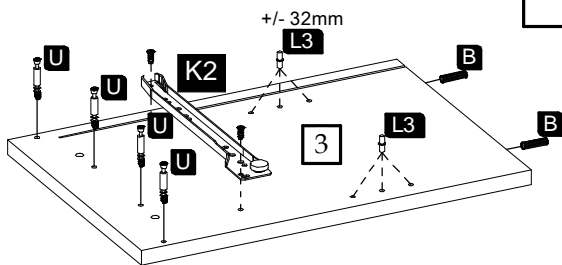
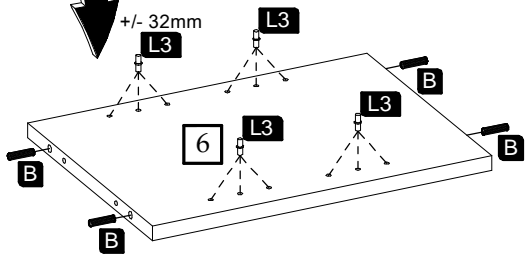
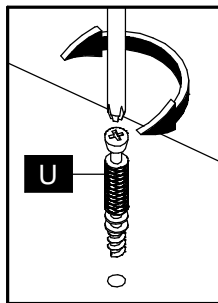
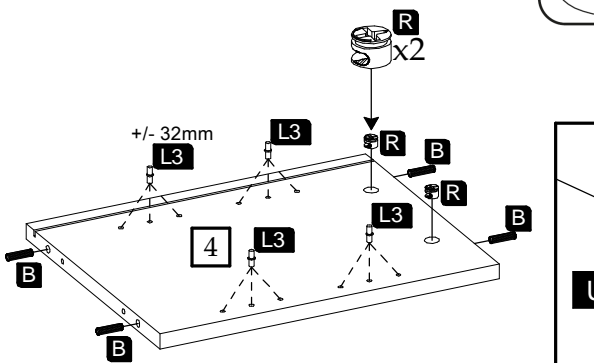
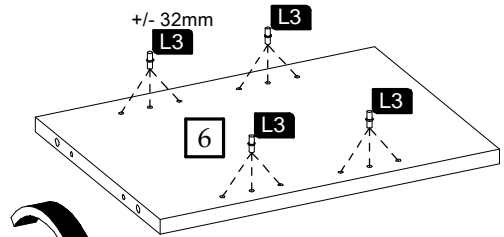
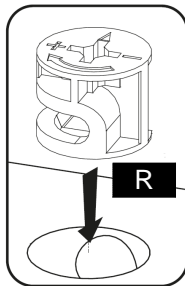
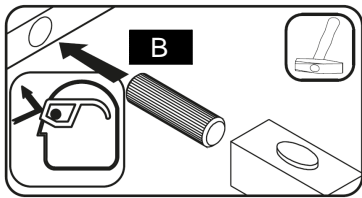
Element symbol	Measurements				Code	Paket
1	240	262	16	1	1009	1/1
2	738	294.5	16	1	1017	1/1
3	429.5	295	16	1	1004	1/1
4	374	294	16	1	1010	1/1
5	429.5	295	16	1	1003/2003	1/1
6	374	274	16	1	1014	1/1
7	1011	295.5	16	1	1002/2002	1/1
8	240	56	16	1	1007	1/1
9	240	56	16	1	1008	1/1
10	466	273	16	1	N/A	1/1

Element symbol	Measurements				Code	Paket
11	466	273	16	1	N/A	1/1
12	240	273	16	1	N/A	1/1
13	240	273	16	1	N/A	1/1
14	250	69.5	16	1	1018	1/1
15	183	69.5	16	1	1019	1/1
16	250	69.5	16	1	1020	1/1
17	236	100.5	16	1	1005	1/1
18	387	251.5	3	2	N/A	1/1
19	387	239	3	2	N/A	1/1
20	215	255	3	1	N/A	1/1
21	735	290	40	1	N/A	1/1

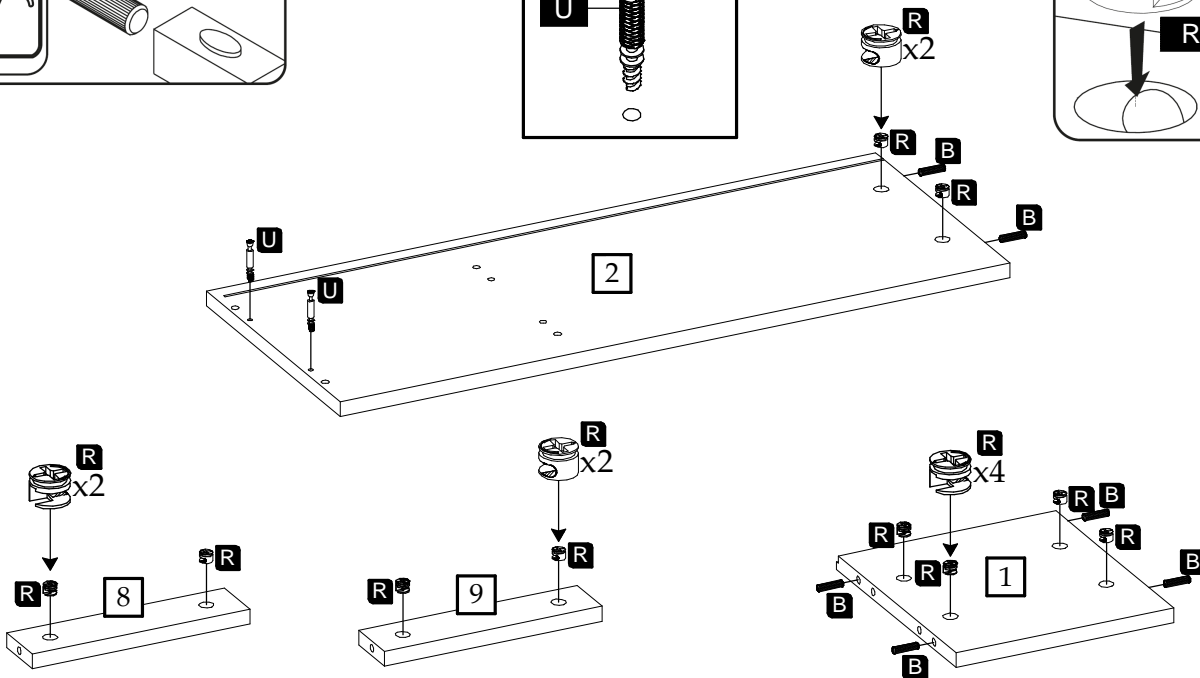
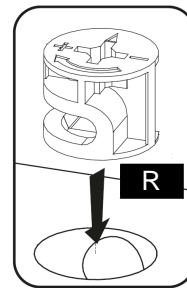
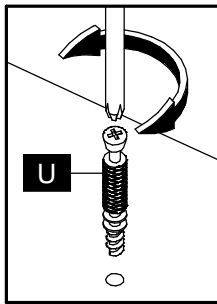
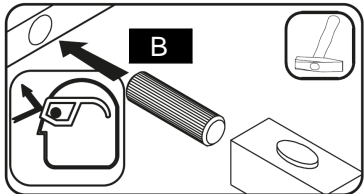




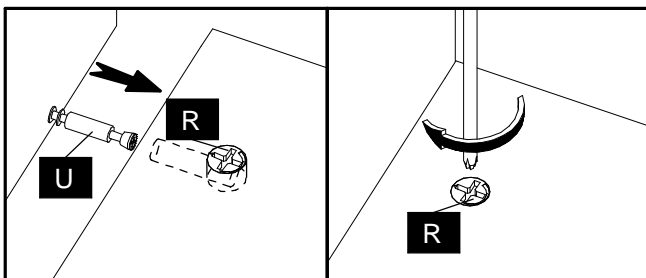
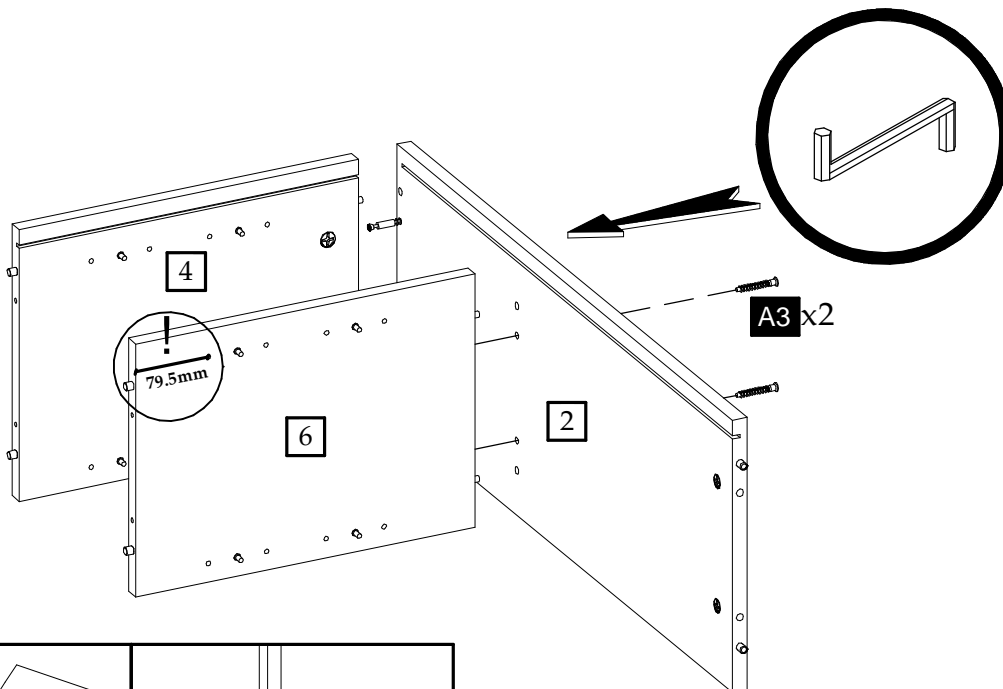
1



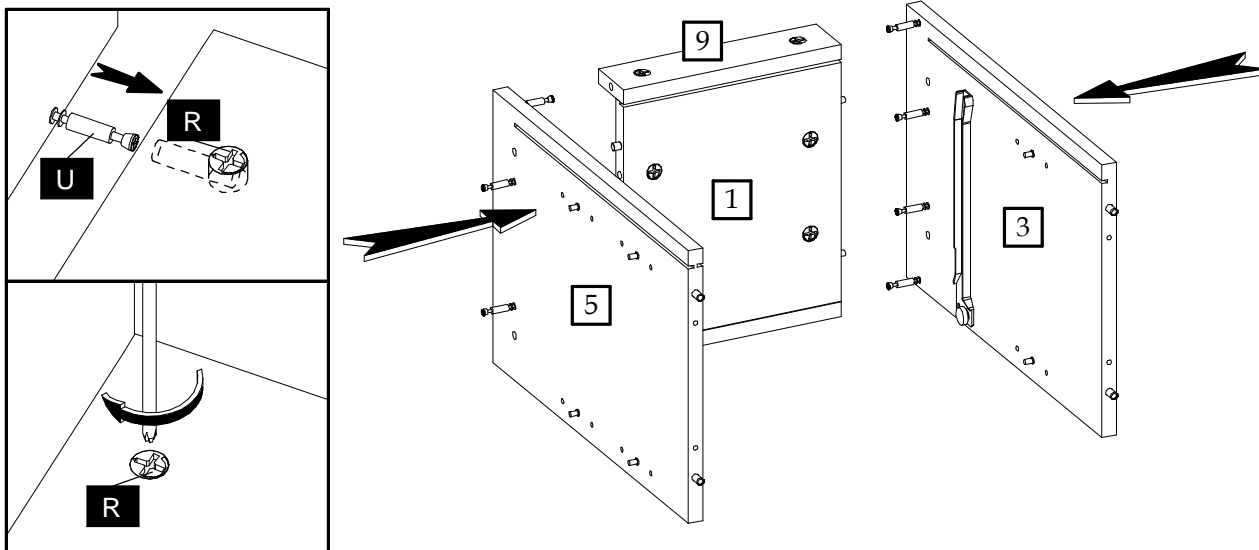
2



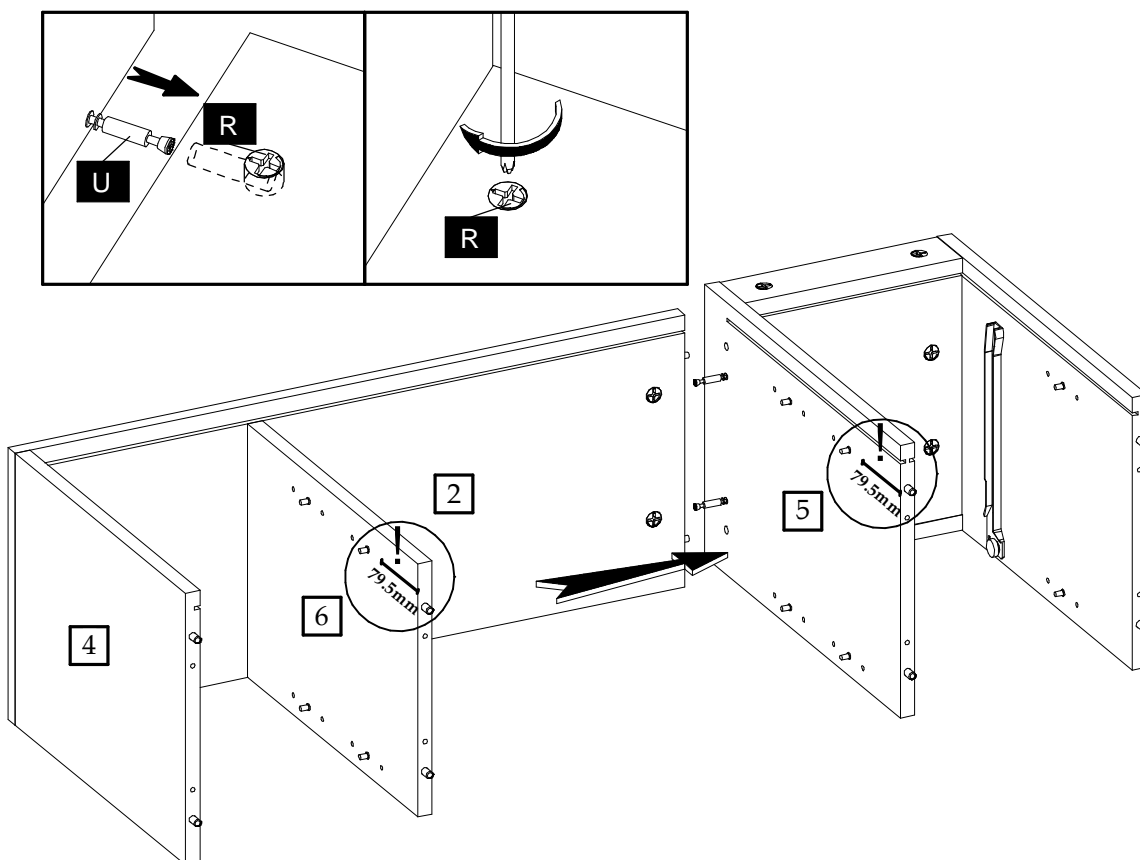
3



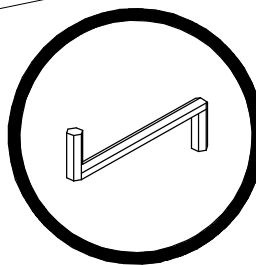
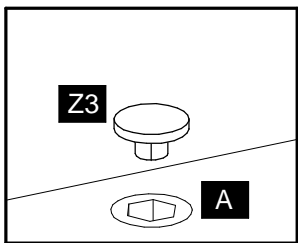
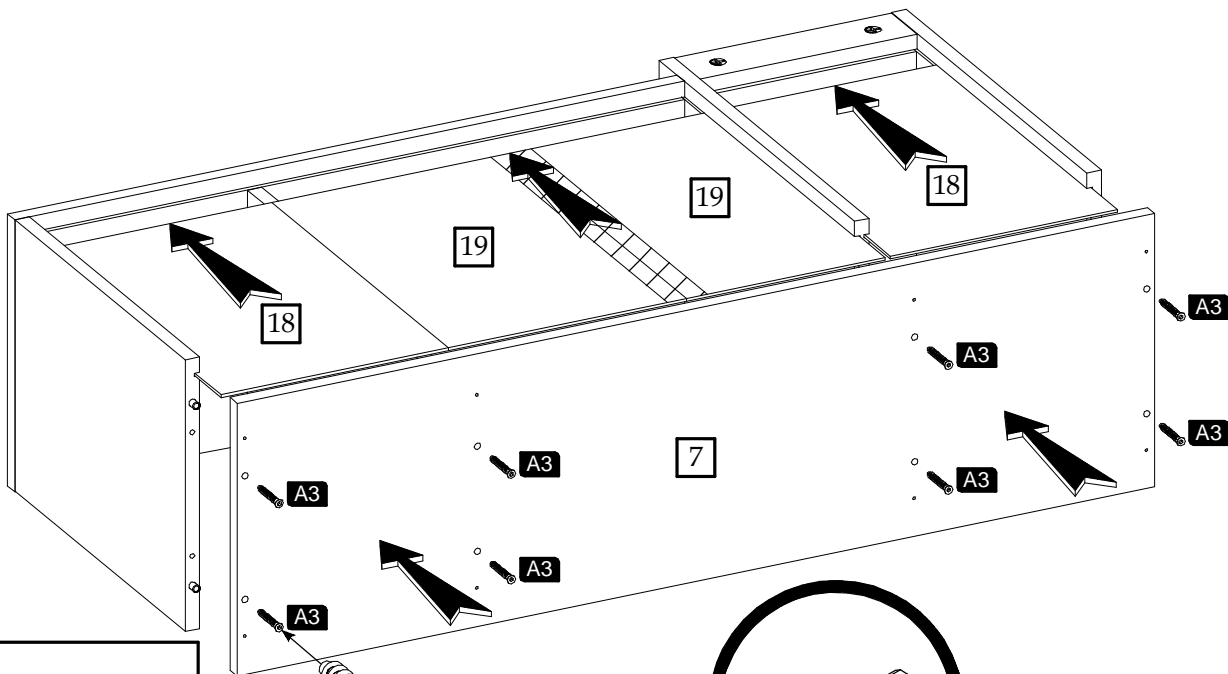
4



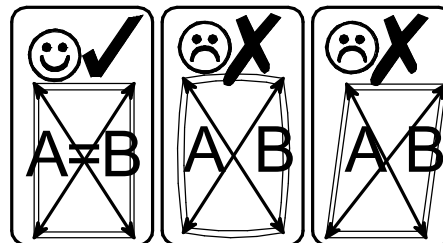
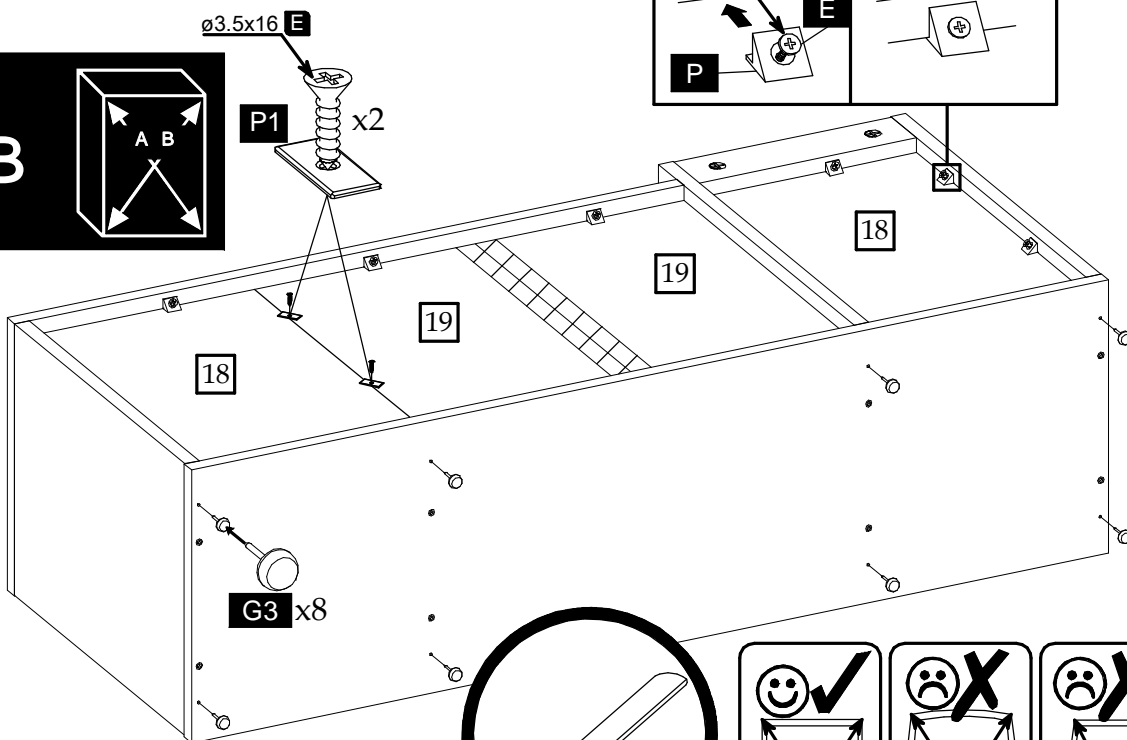
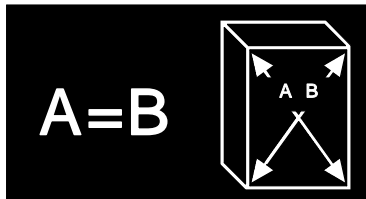
5



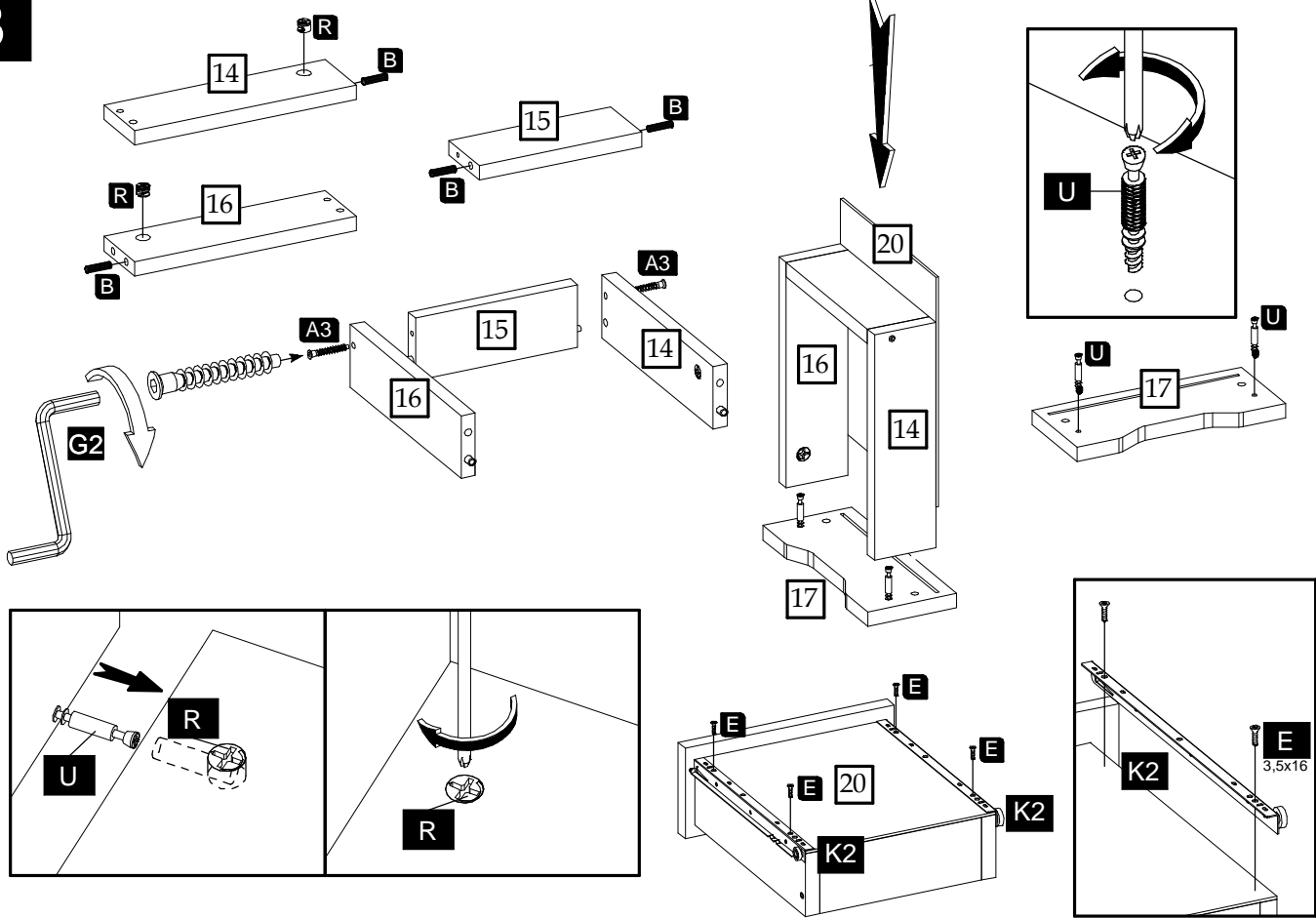
6



7



8



9

