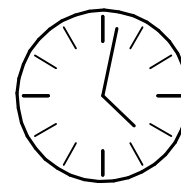
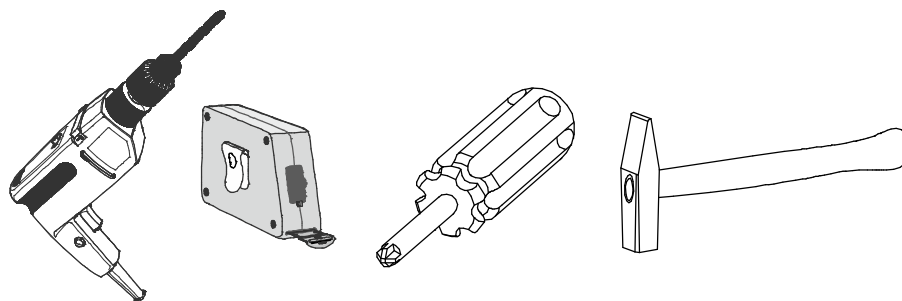
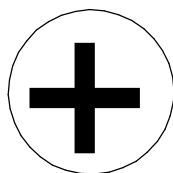
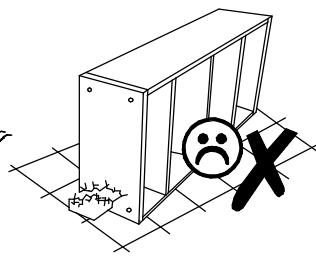
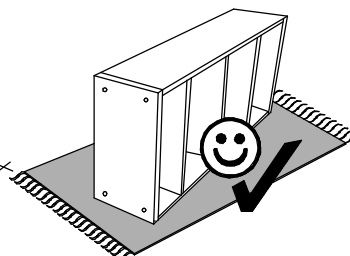
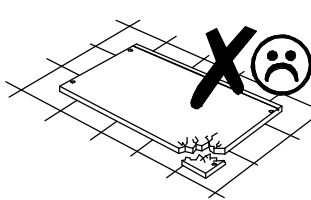
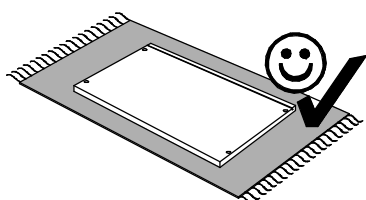
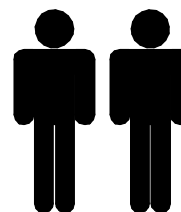
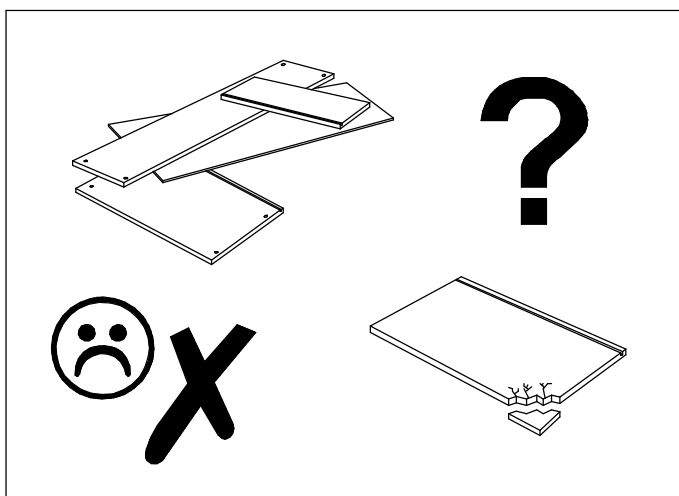
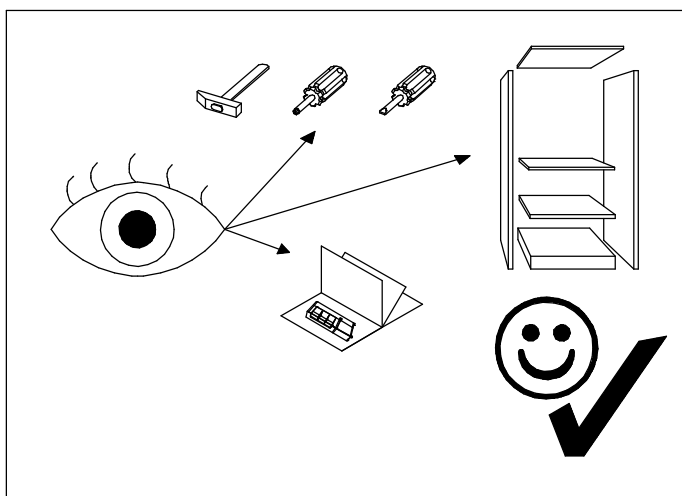
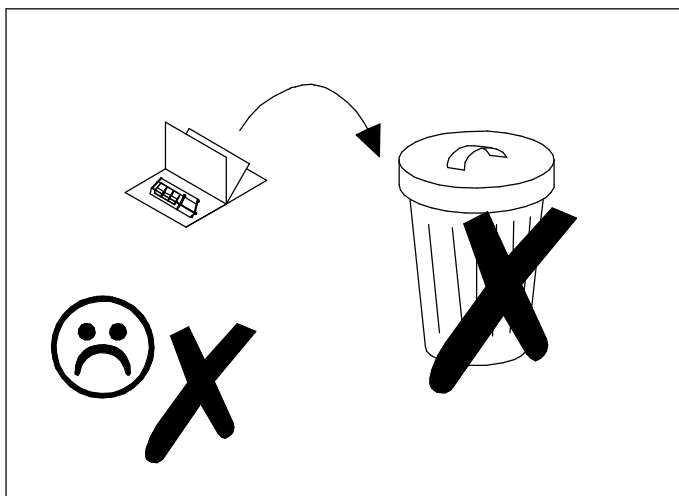
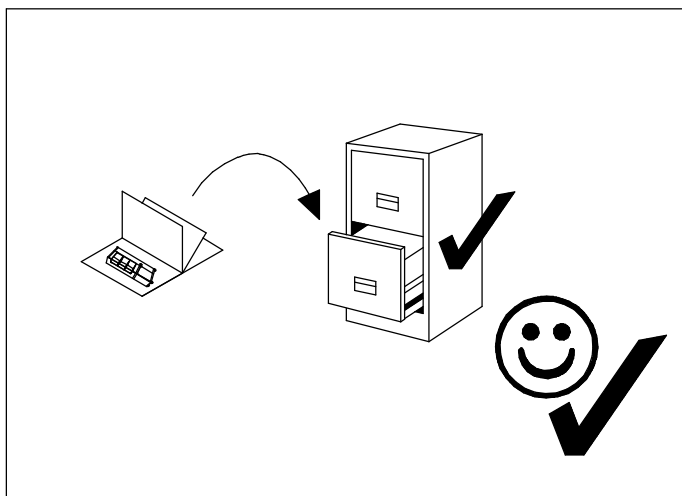
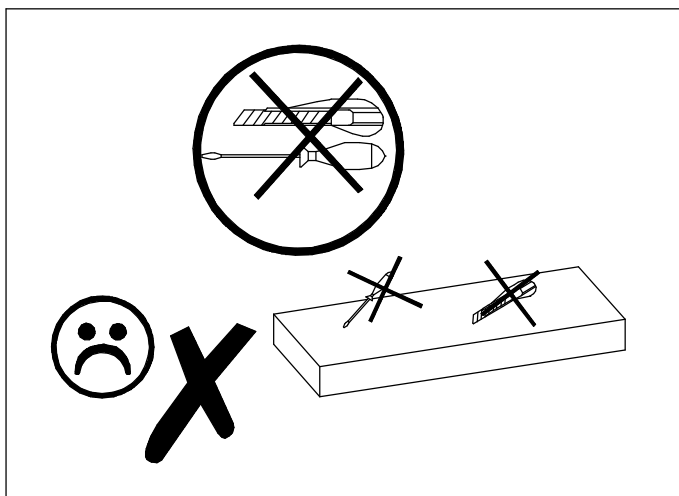
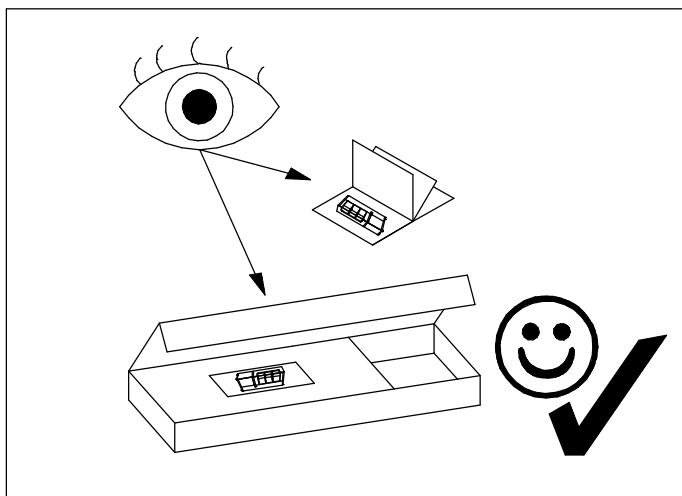


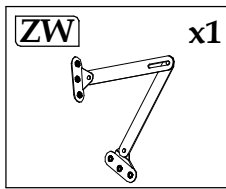
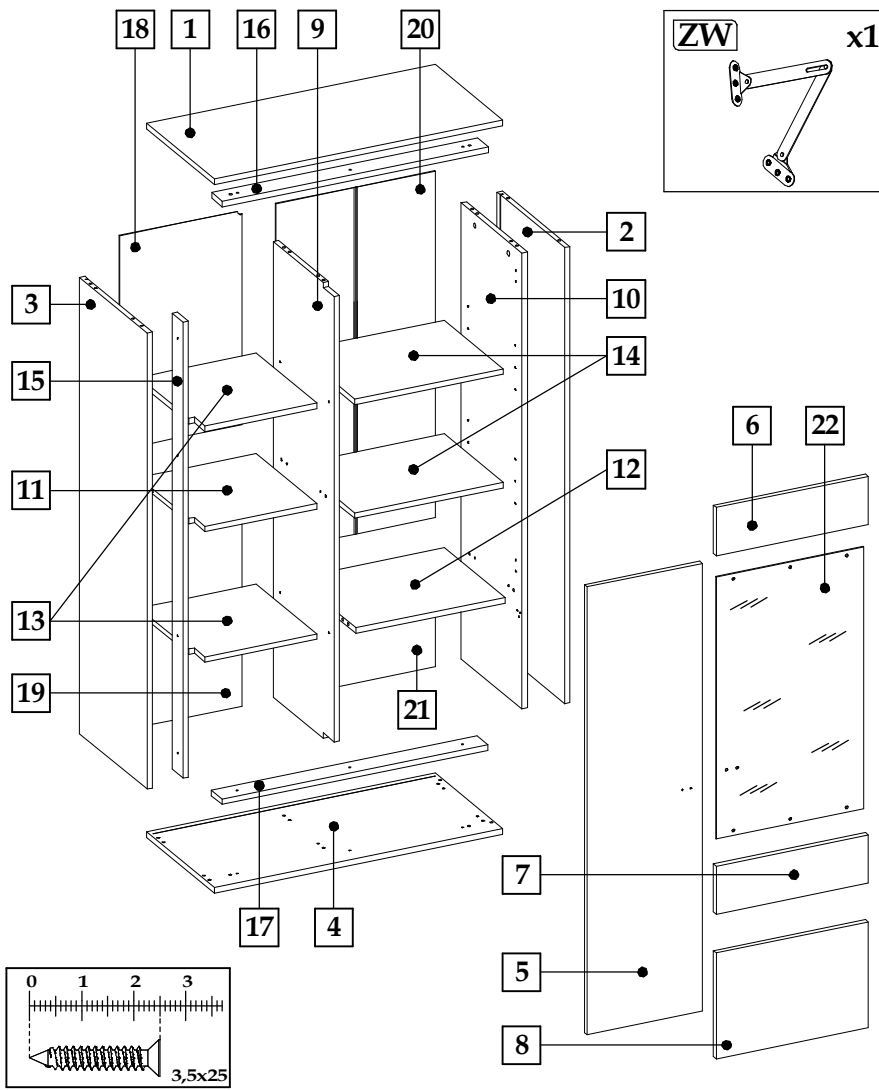
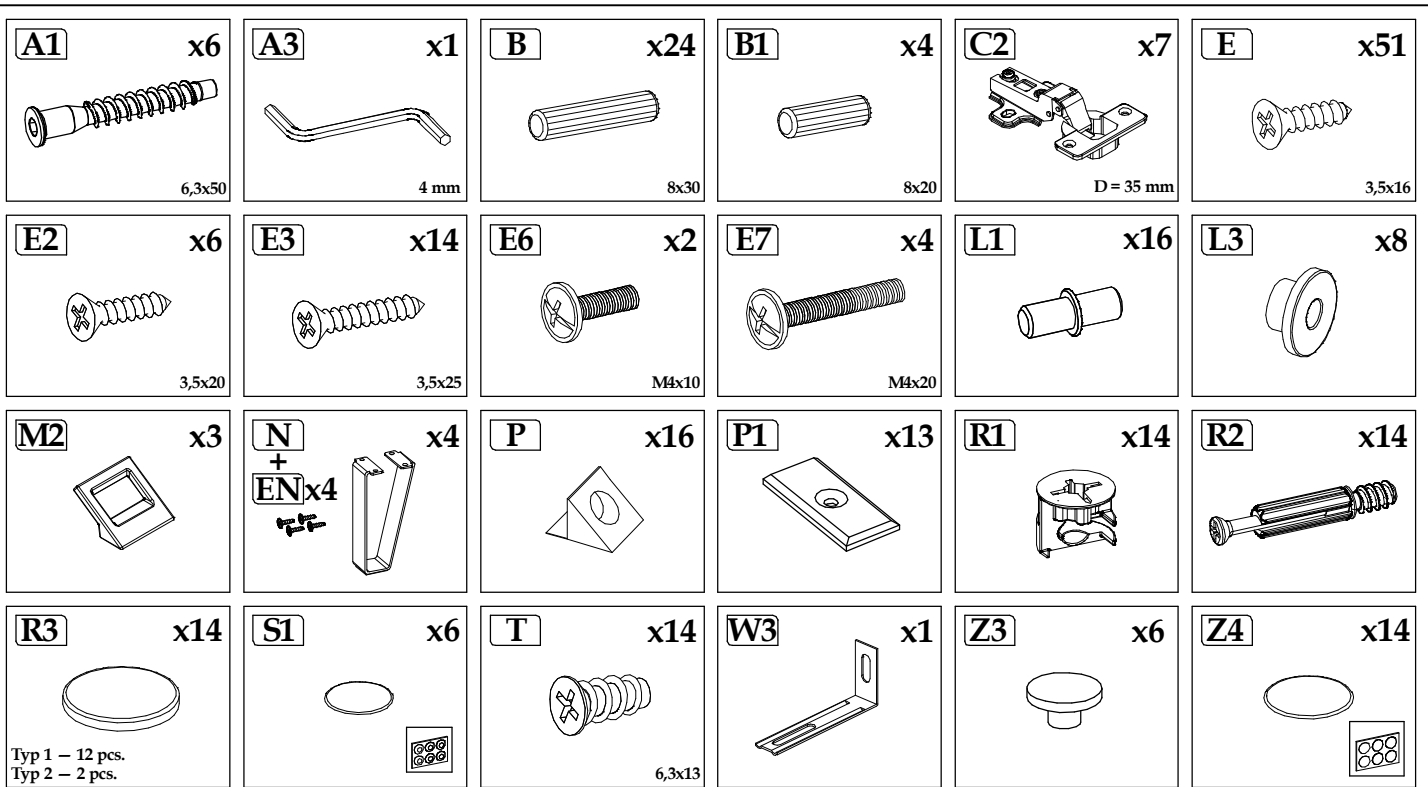
TIRION C



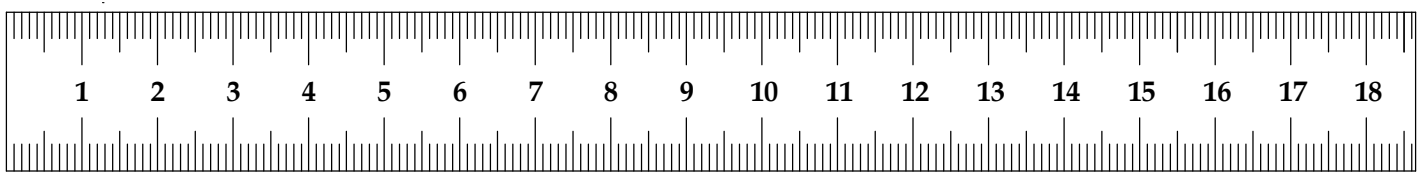
120 min



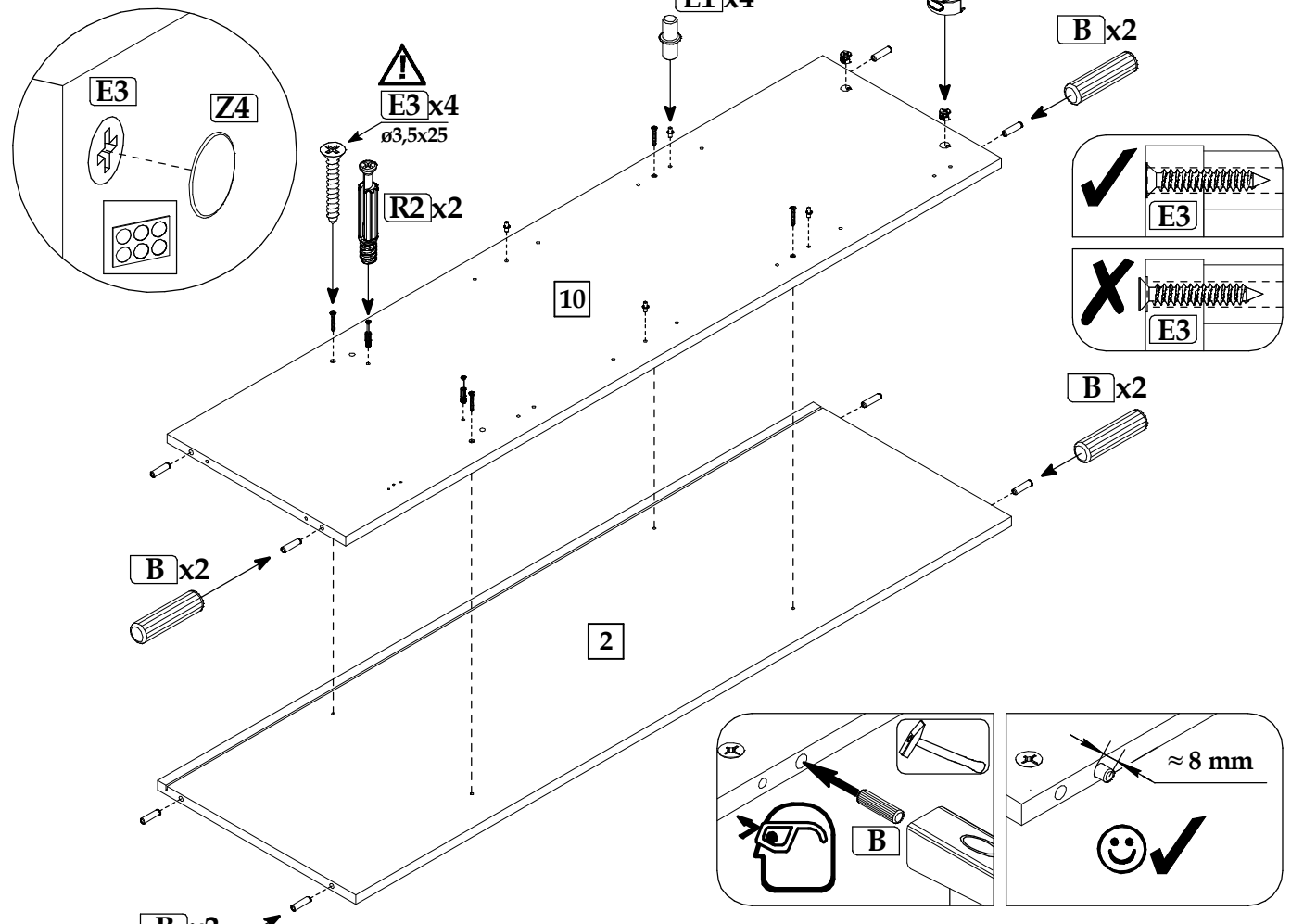




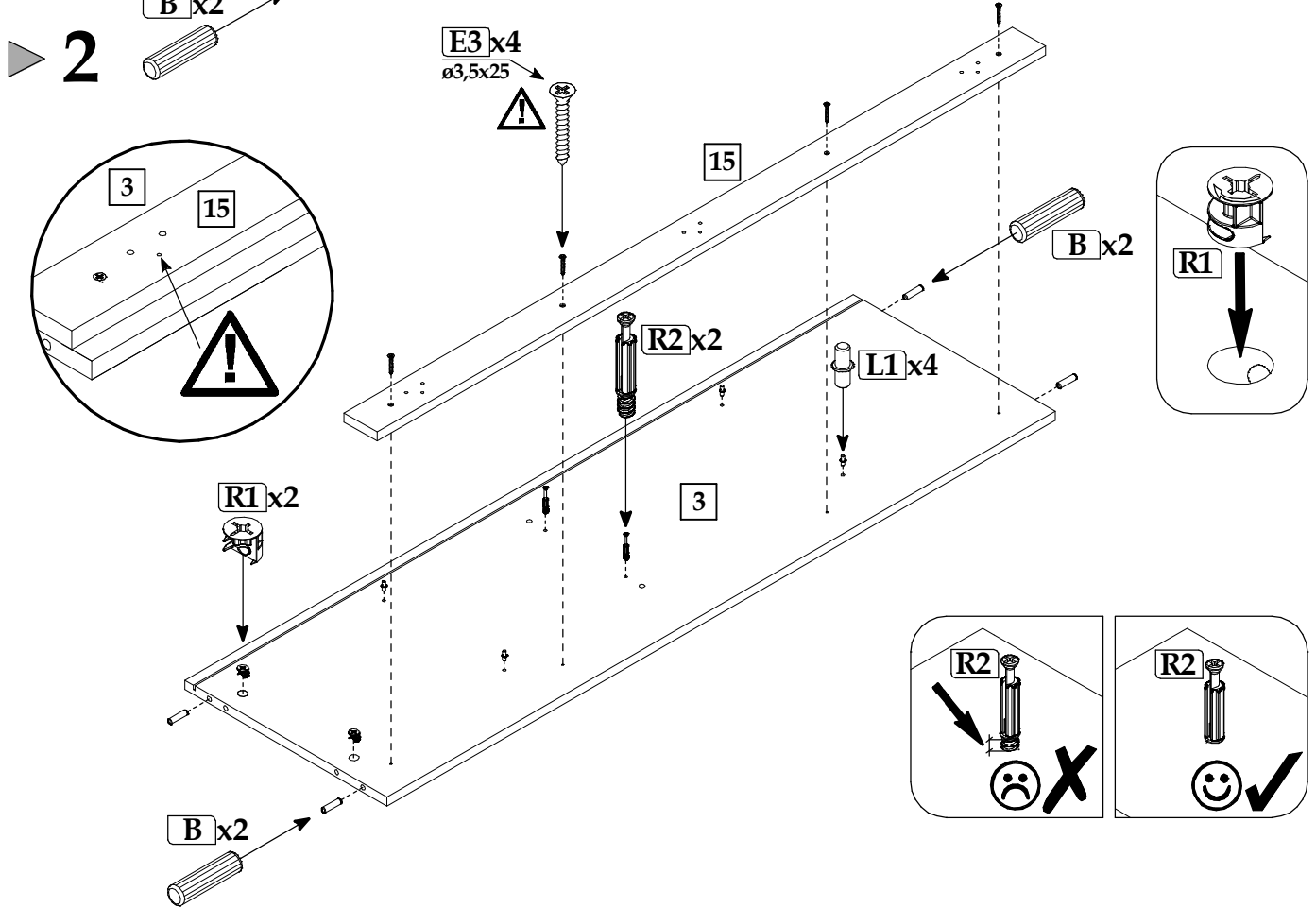
Element symbol	Measurements				Code	Pack
	1	2	3	4		
1	852	401	16	1	1004	1/ 3
2	1323	400	16	1	1001	2/ 3
3	1323	400	16	1	1002	2/ 3
4	852	401	16	1	1003	1/ 3
5	1299	341	16	1	1008	2/ 3
6	450	140	16	1	1012	1/ 3
7	450	140	16	1	1013	1/ 3
8	450	309	16	1	1047	2/ 3
9	1323	360	16	1	1010	2/ 3
10	1323	360	16	1	1009	2/ 3
11	346,5	359	16	1	1045	1/ 3
12	439,5	359	16	1	1037	1/ 3
13	346,5	359	16	2	N/ A	1/ 3
14	439,5	350	16	2	N/ A	1/ 3
15	1323	65	16	1	1007	2/ 3
16	786	64	16	1	1011	2/ 3
17	786	64	16	1	1027	2/ 3
18	620	361	3	1	1051_v	2/ 3
19	716	361	3	1	N/ A	2/ 3
20	1005	237	3	2	N/ A	1/ 3
21	332	470	3	1	N/ A	2/ 3
22	760	435	4	1	Glass	3/ 3



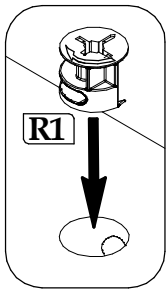
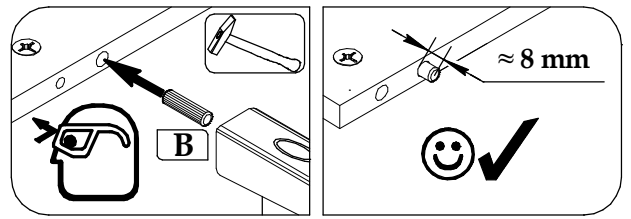
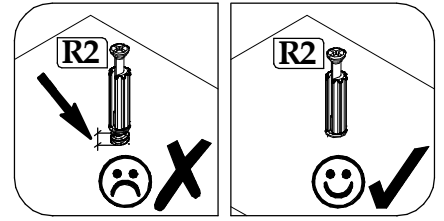
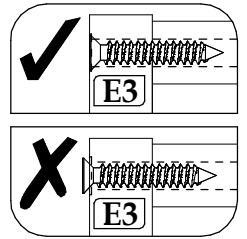
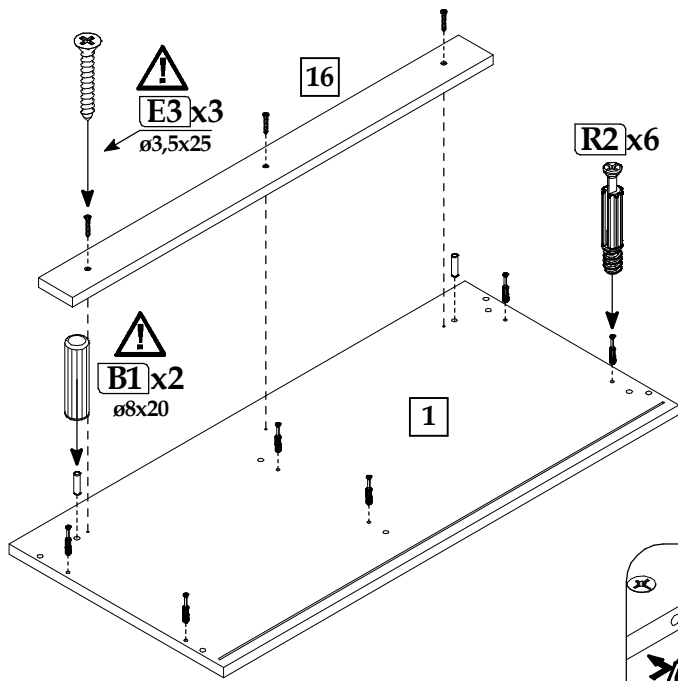
▶ 1



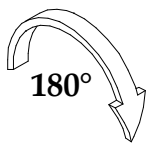
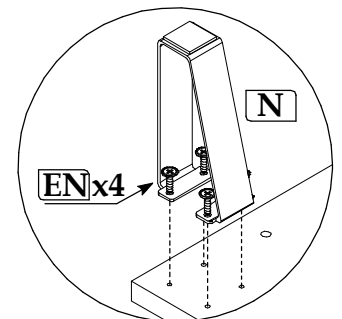
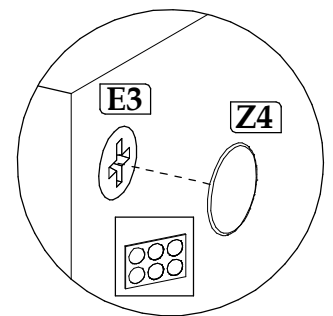
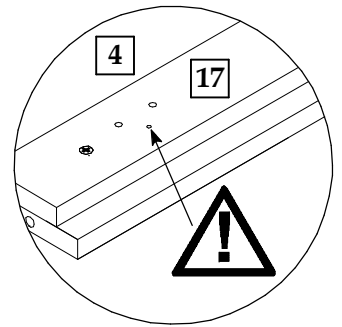
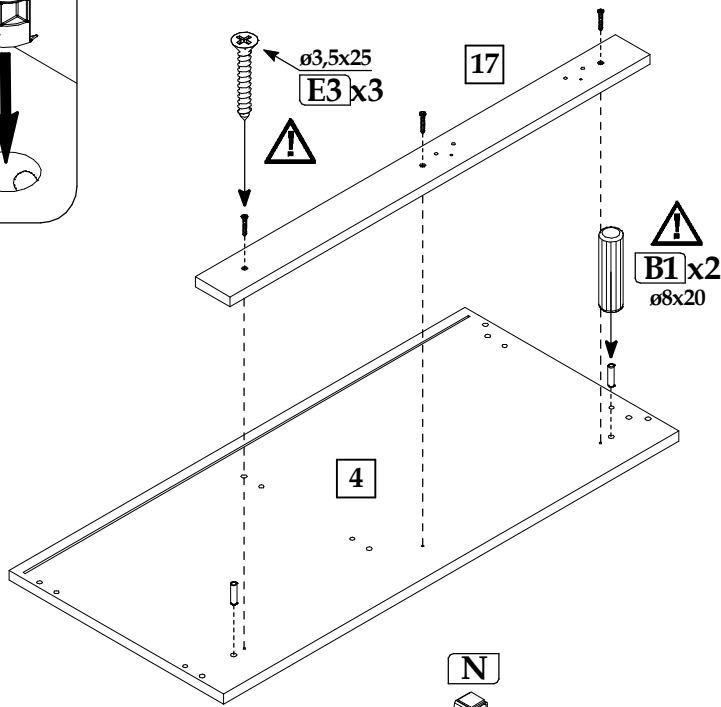
▶ 2

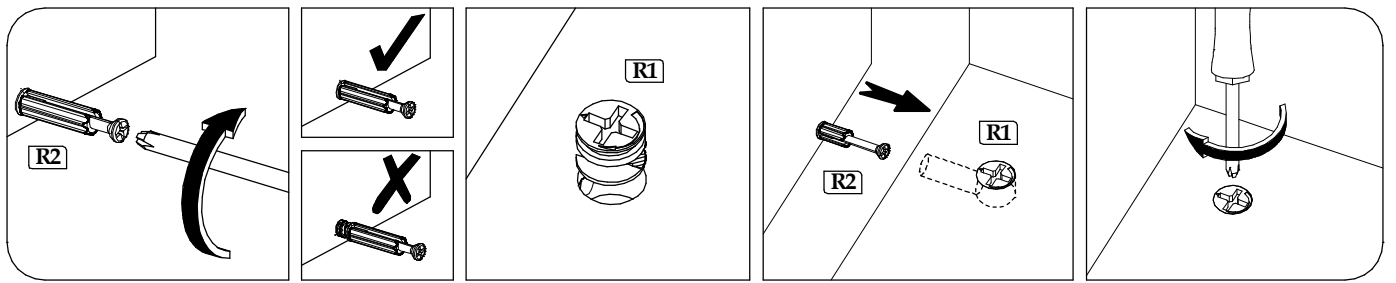


▶ 3

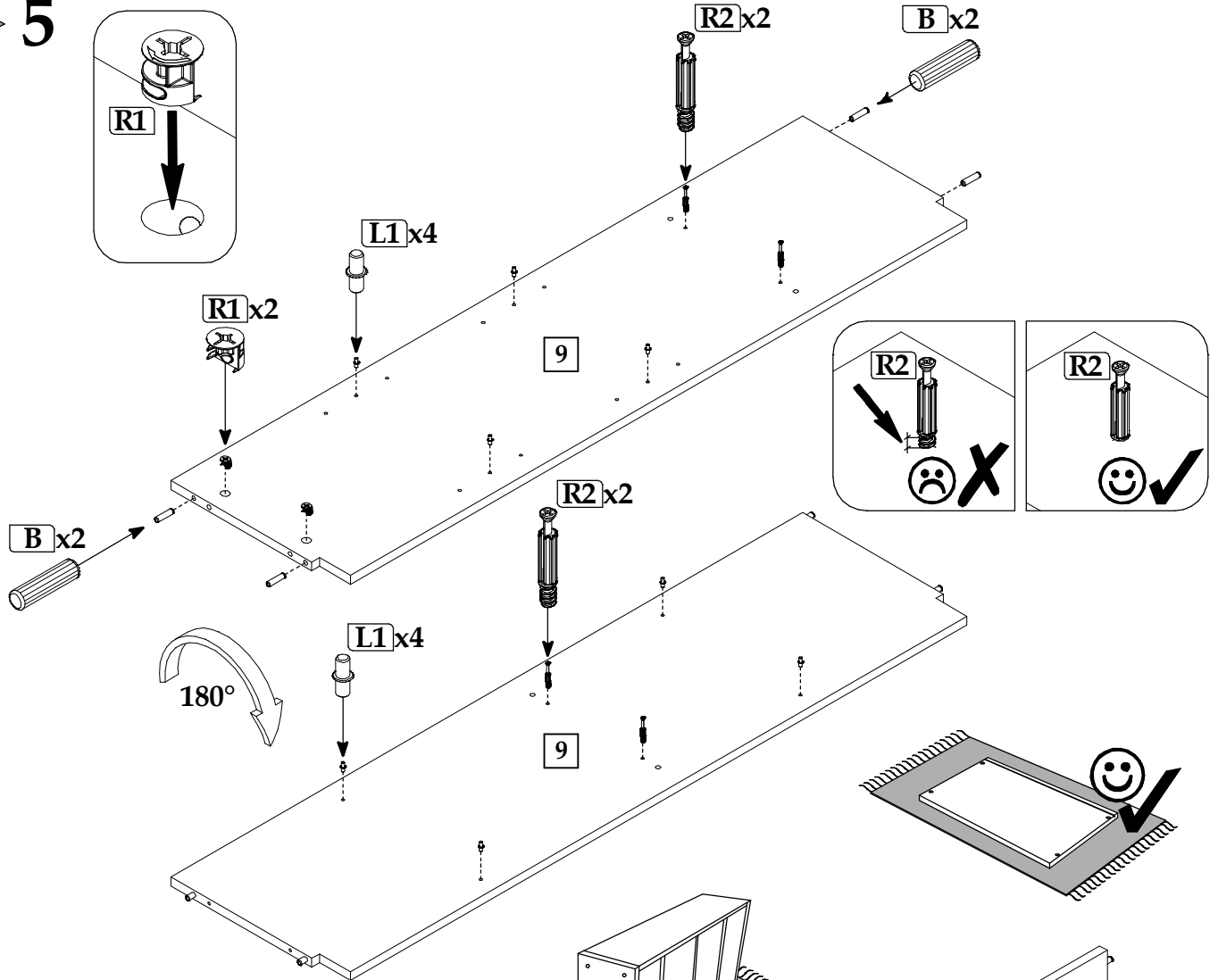


▶ 4

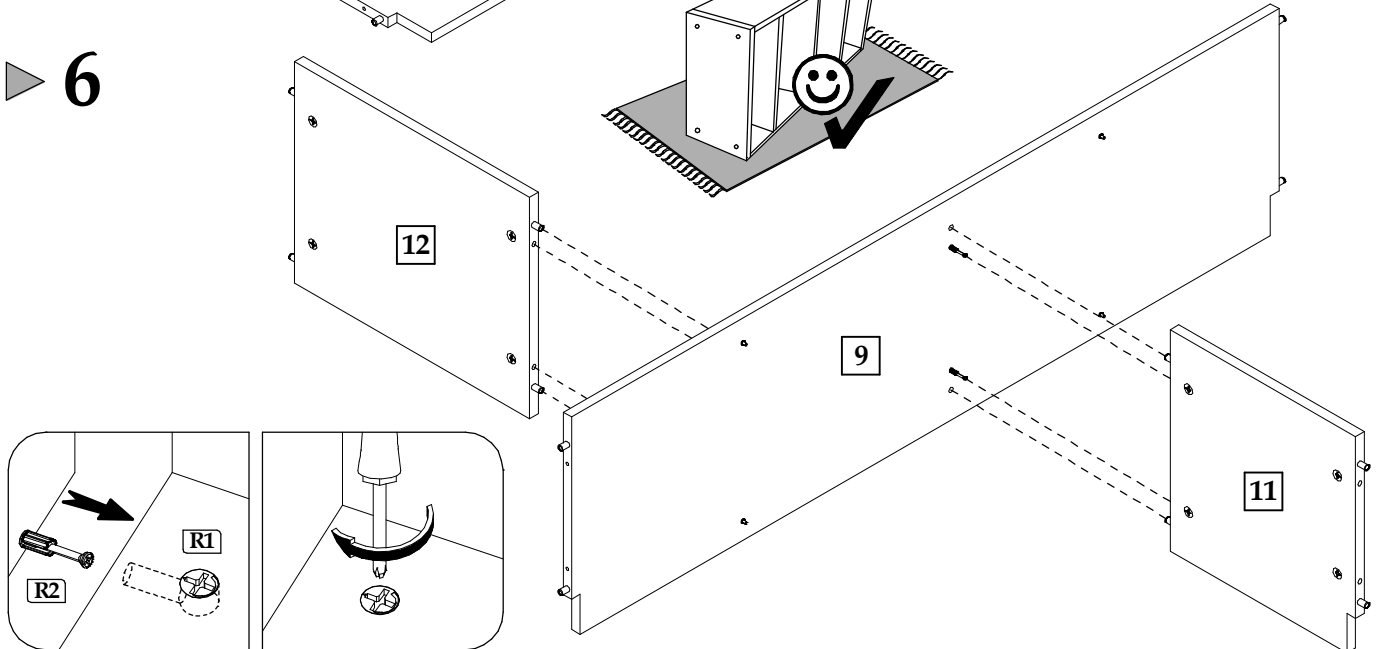




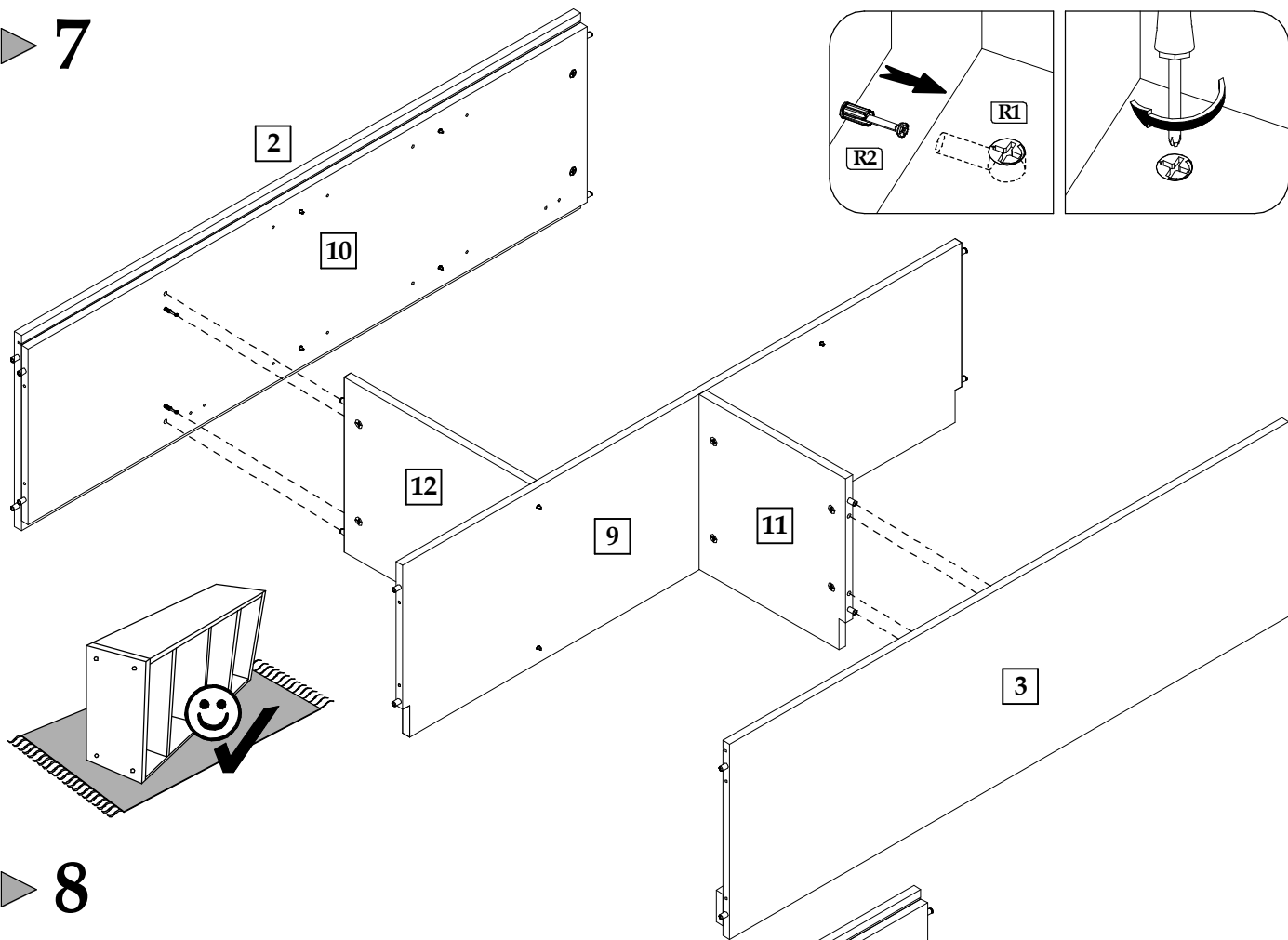
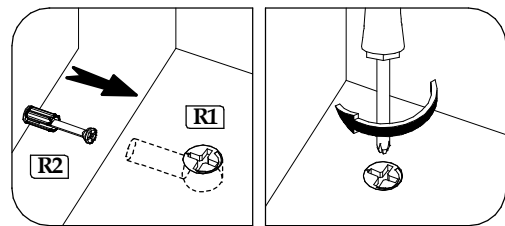
▶ 5



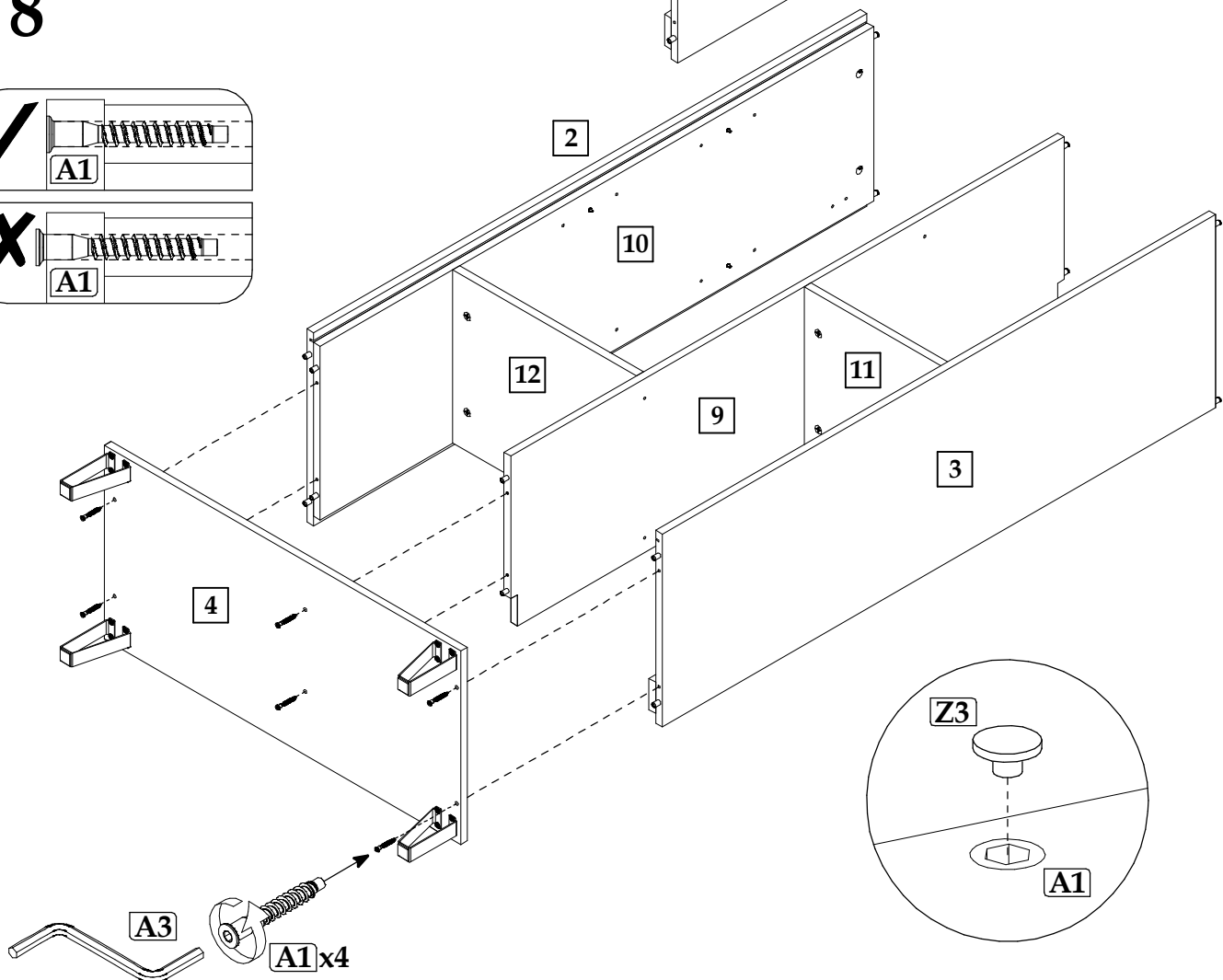
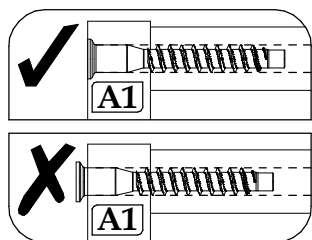
▶ 6

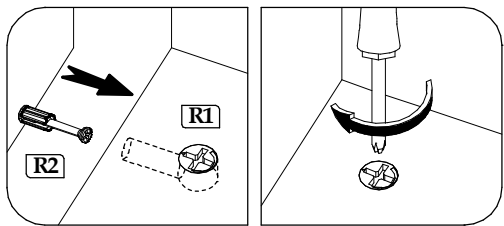


▶ 7

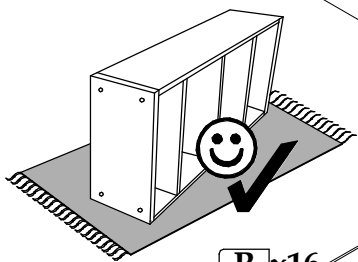
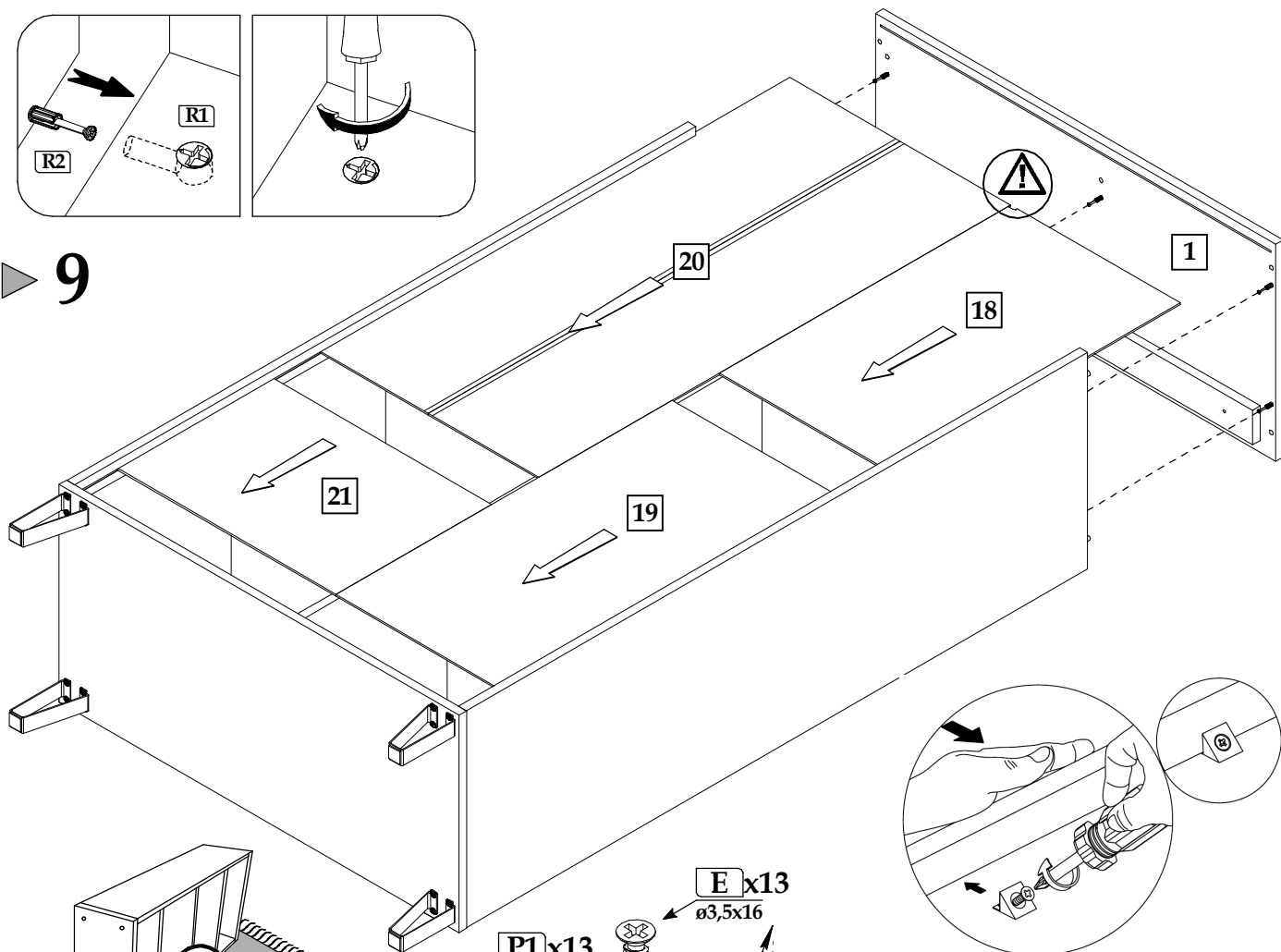


▶ 8

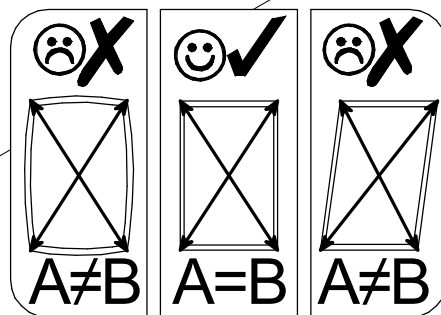
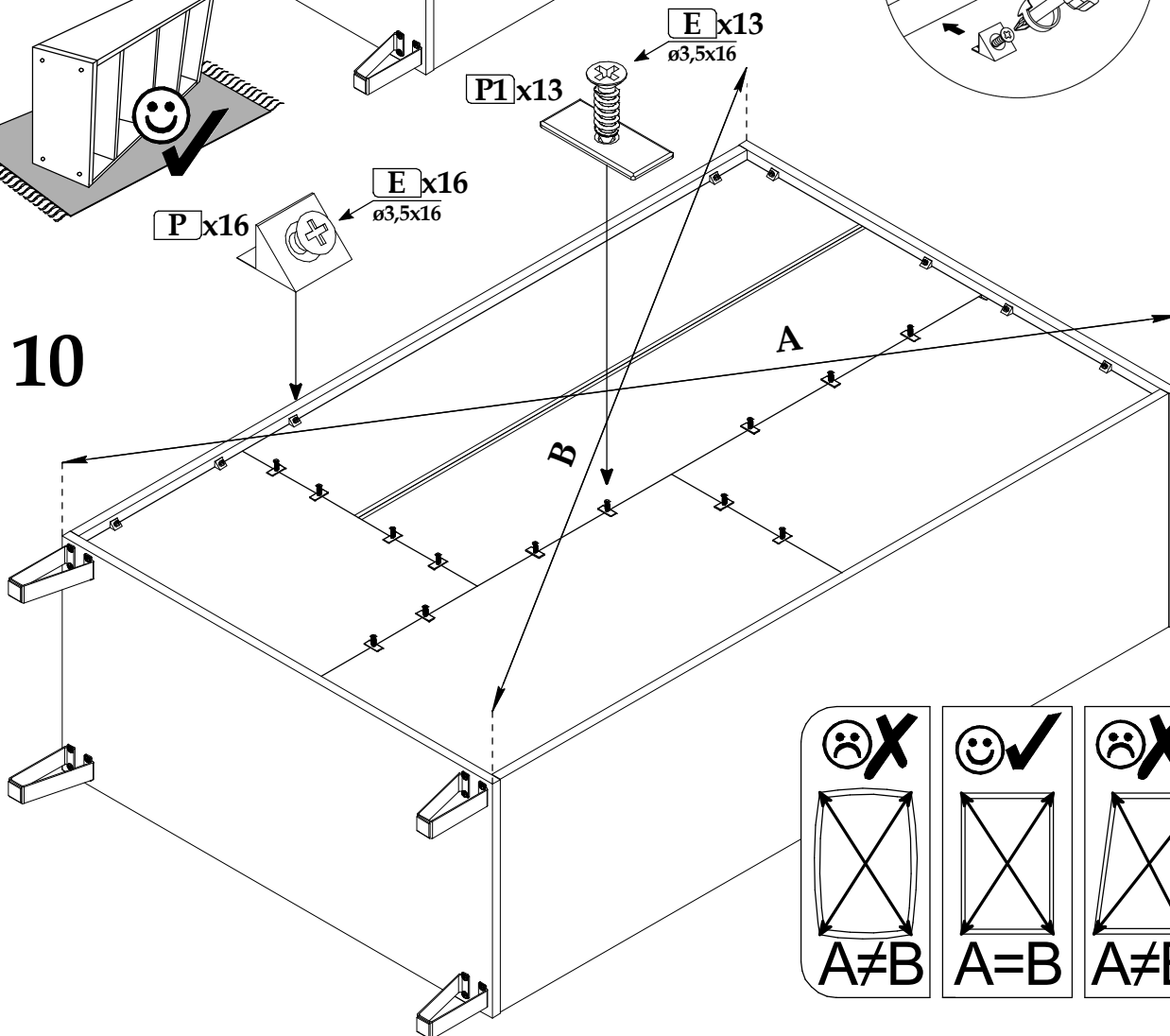




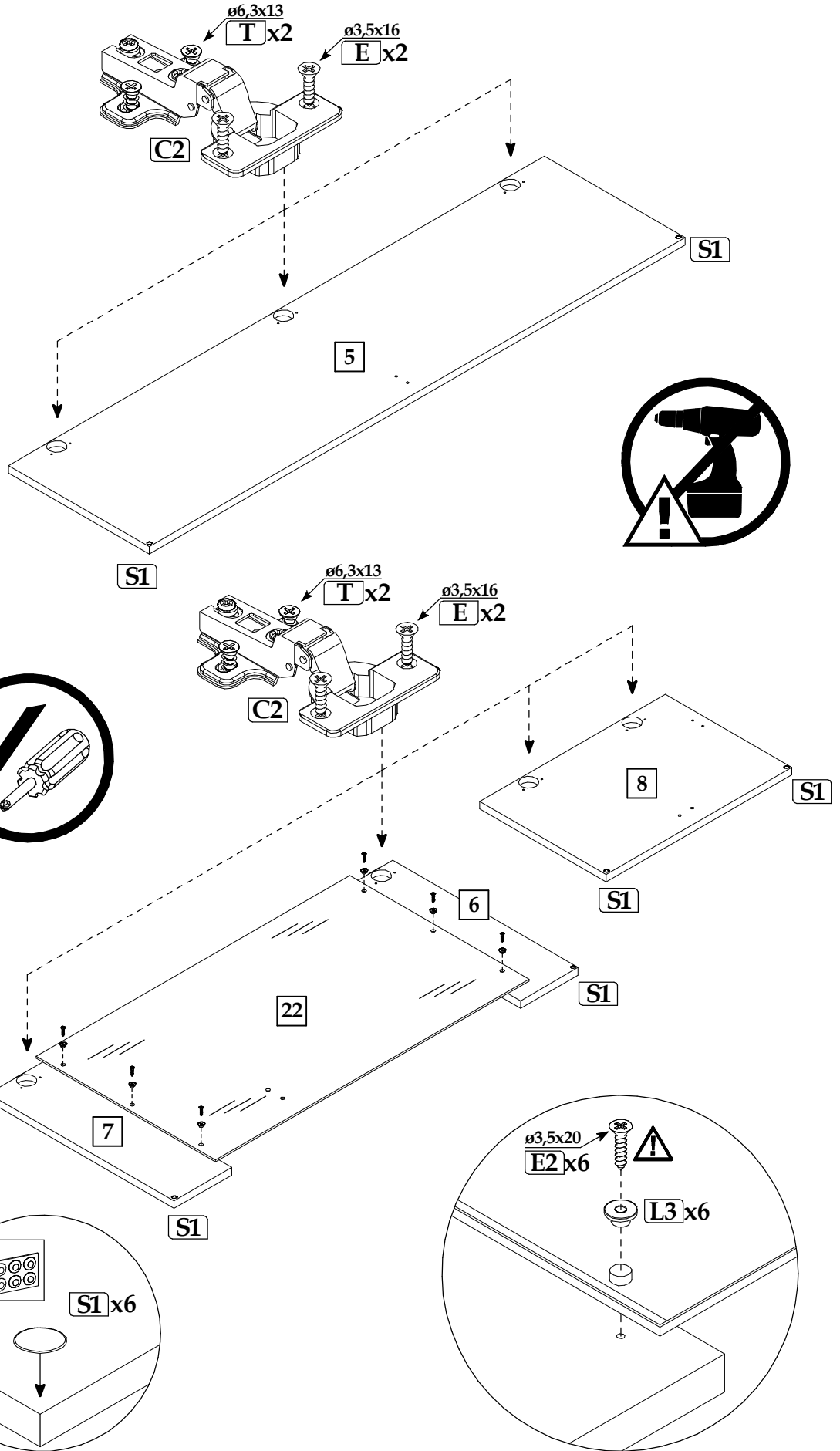
► 9



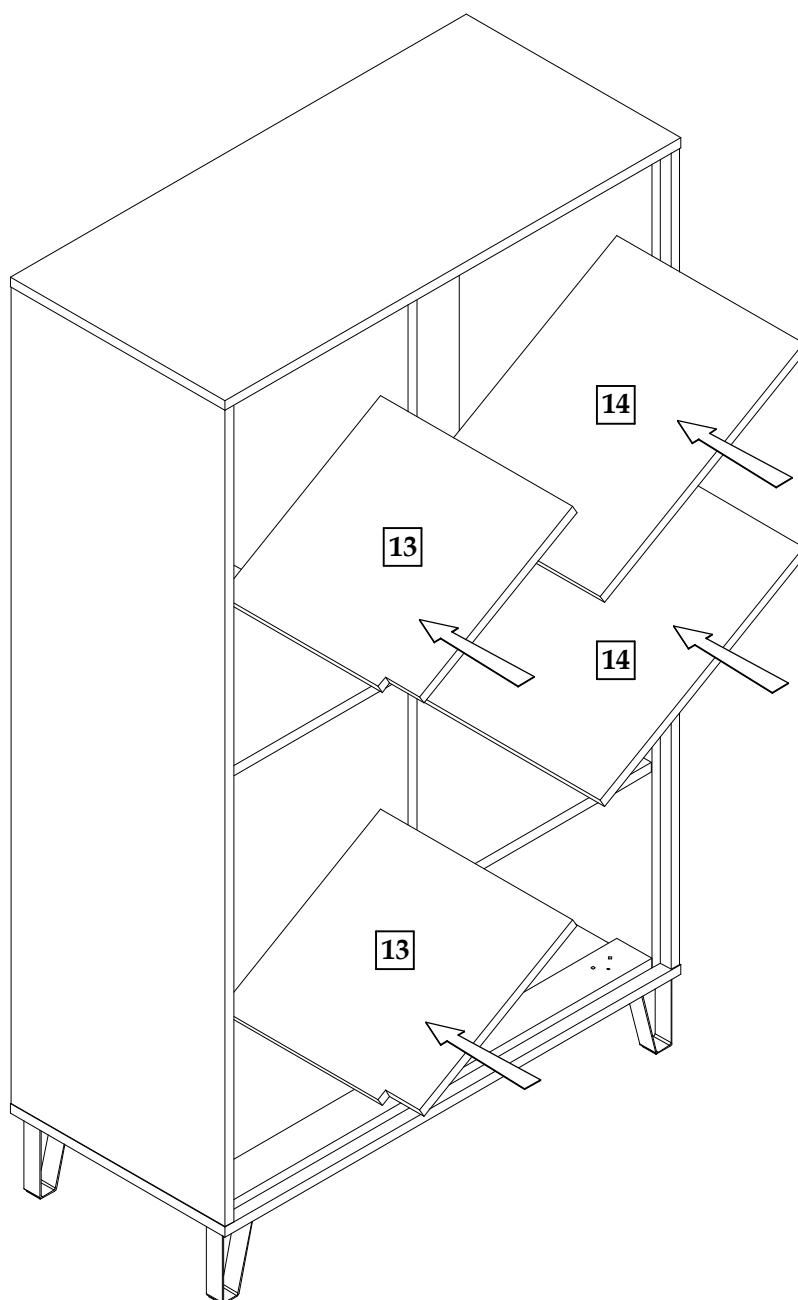
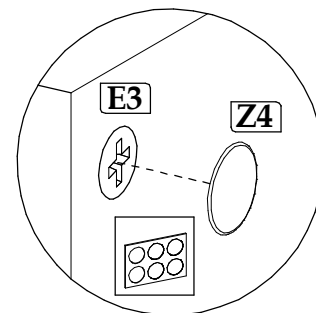
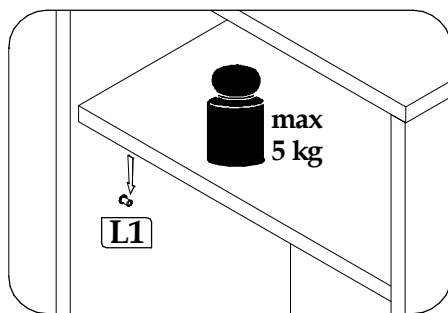
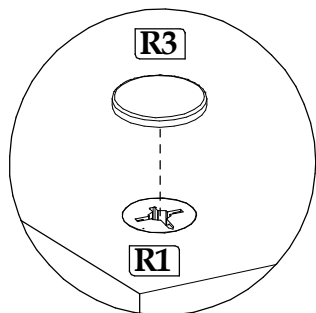
► 10



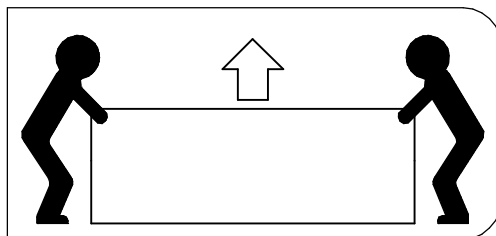
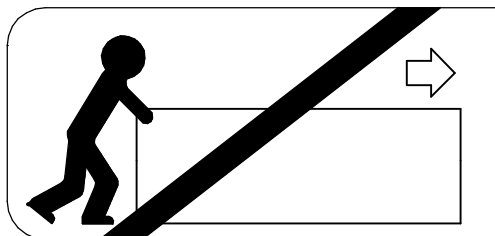
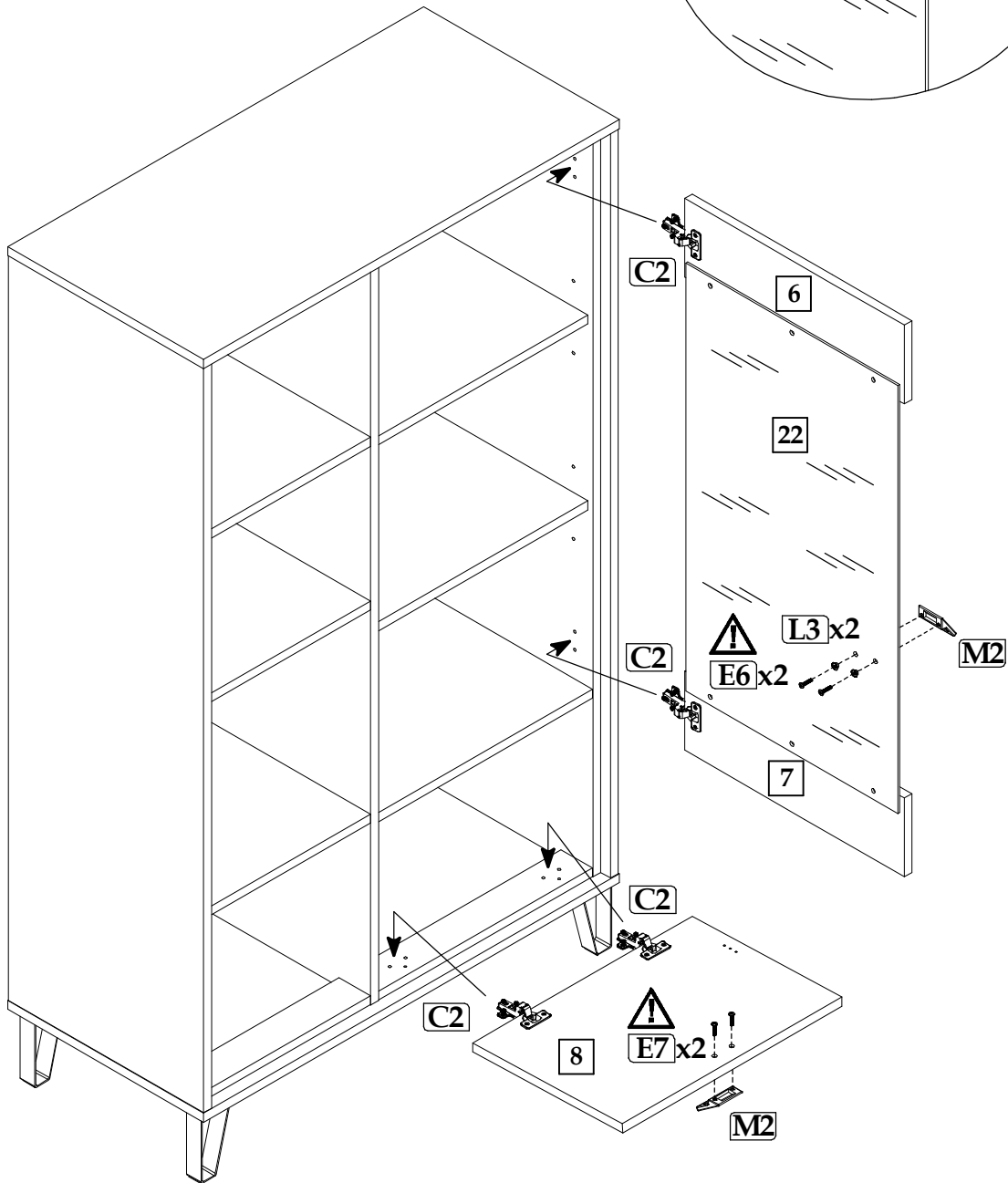
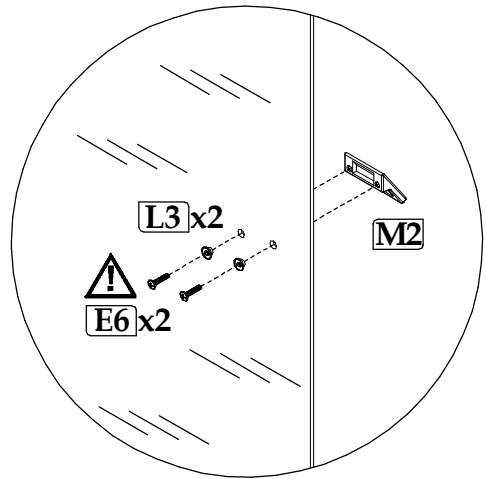
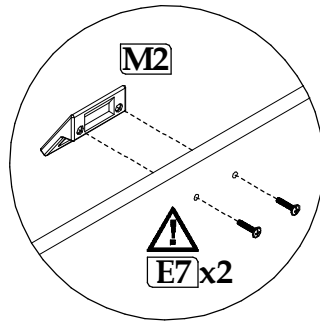
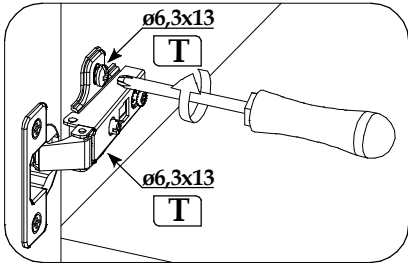
▶ 11



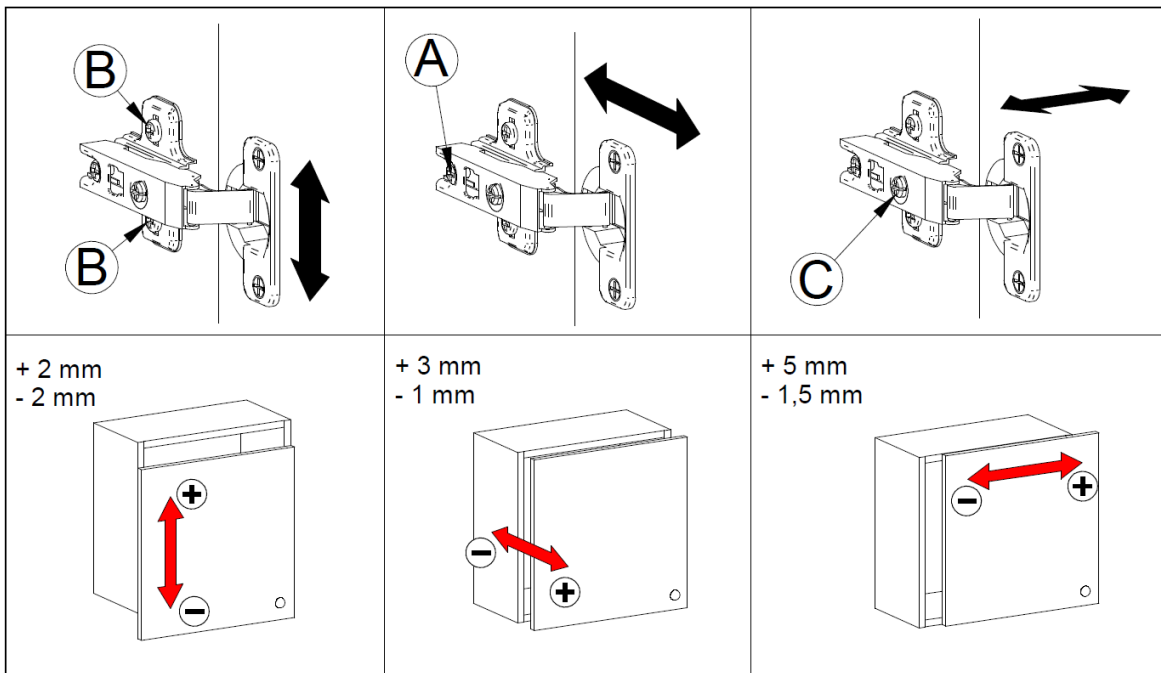
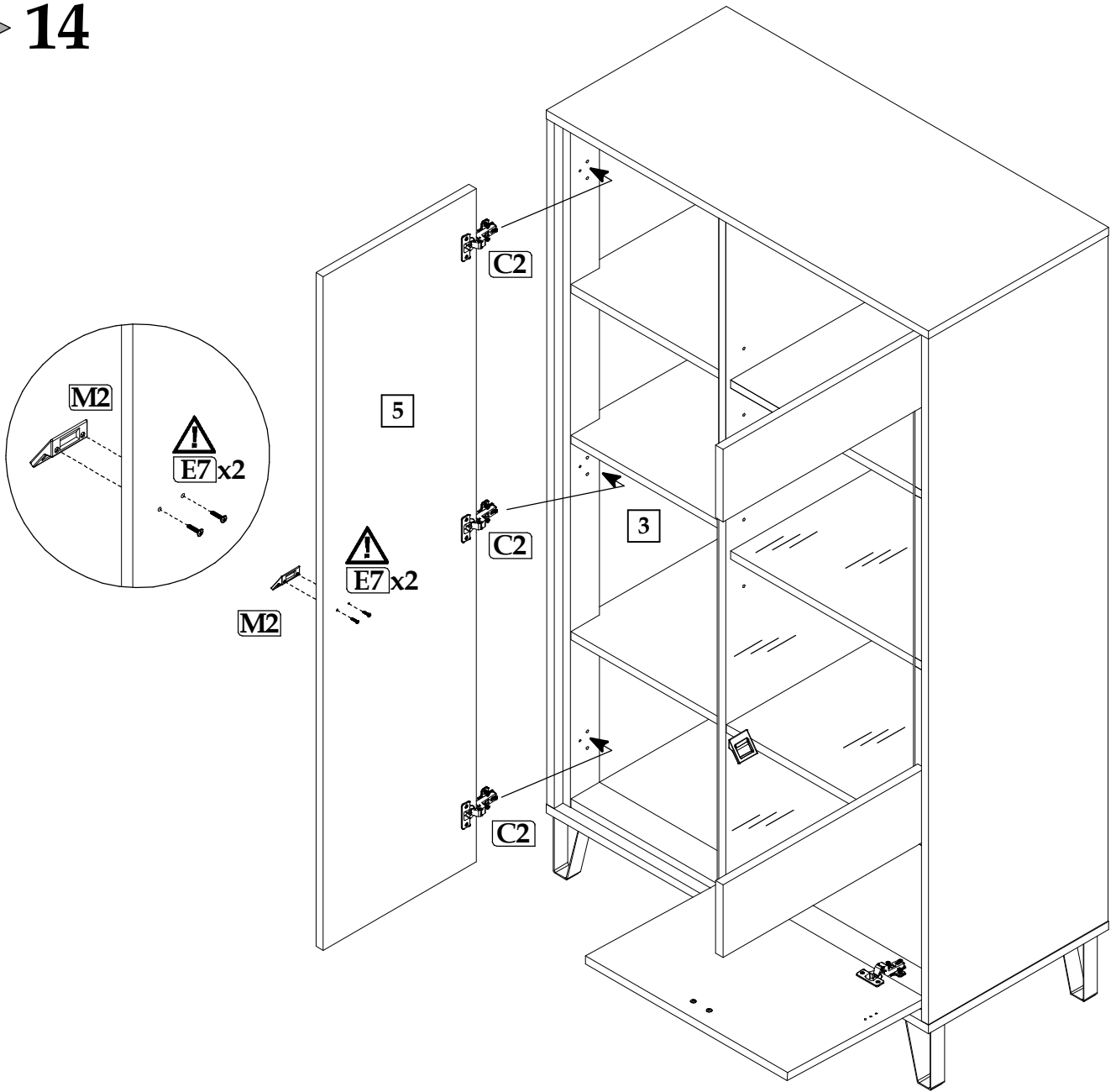
▶ 12



▶ 13



▶ 14



▶ 15

