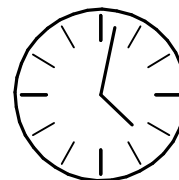
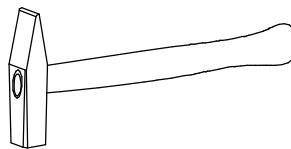
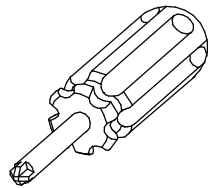
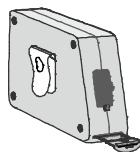
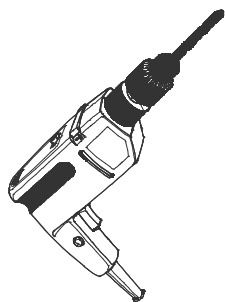
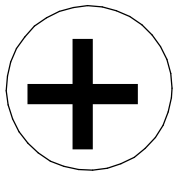
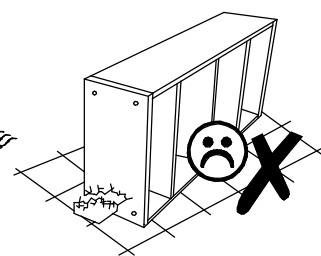
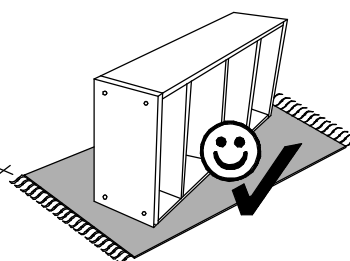
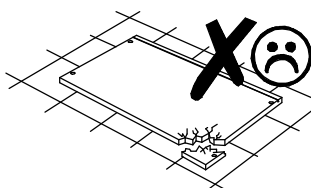
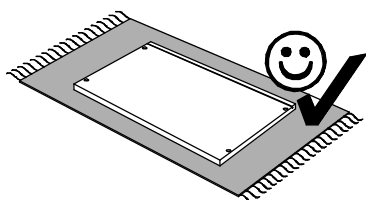
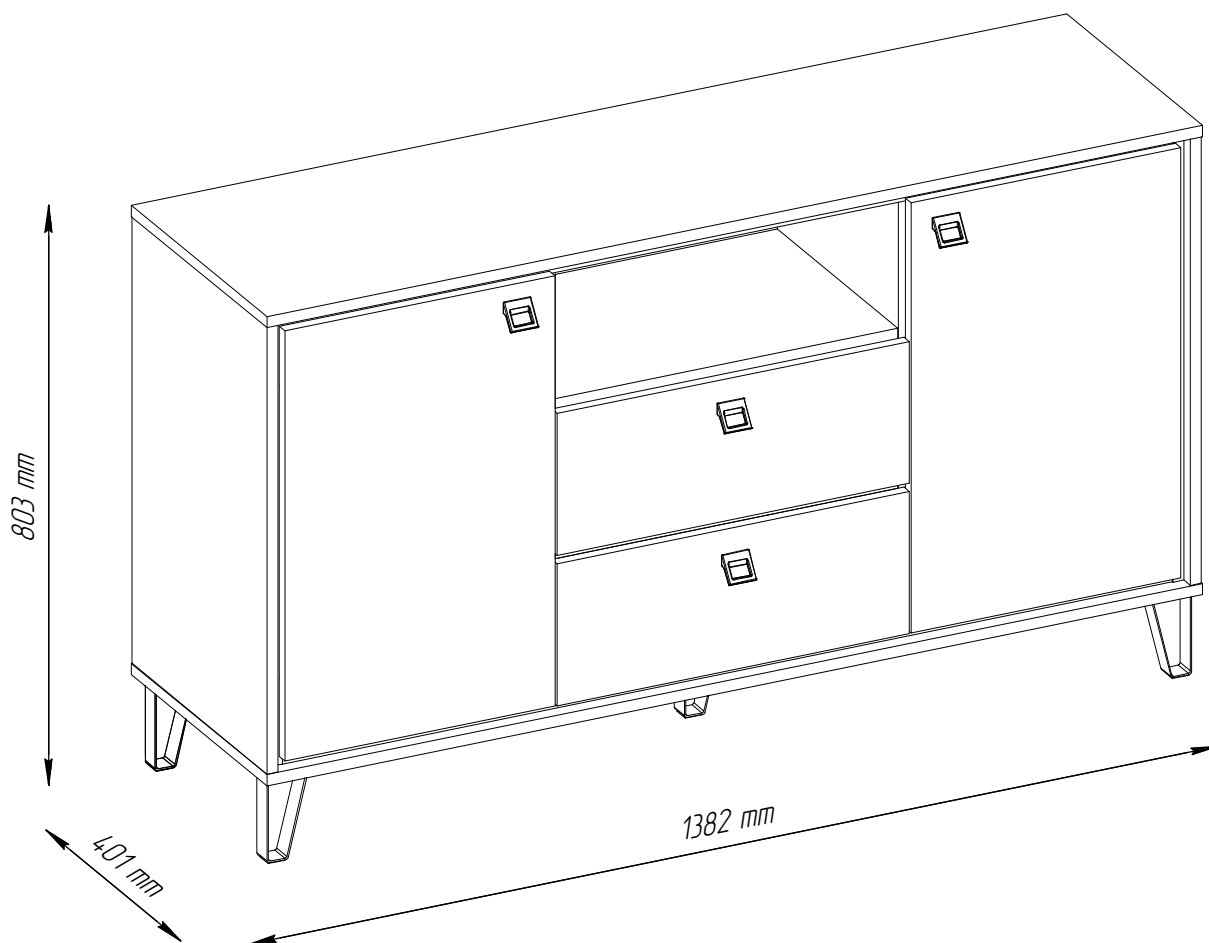
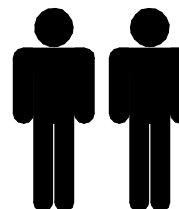
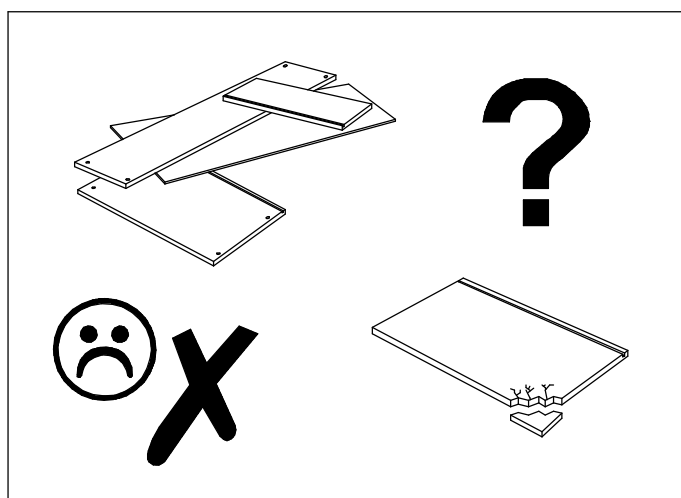
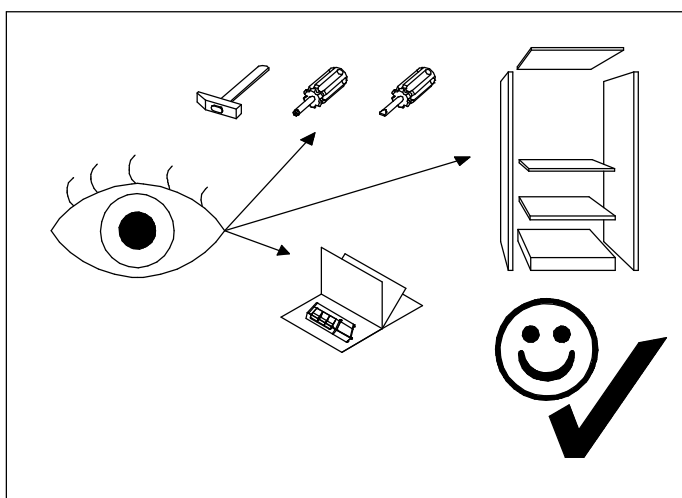
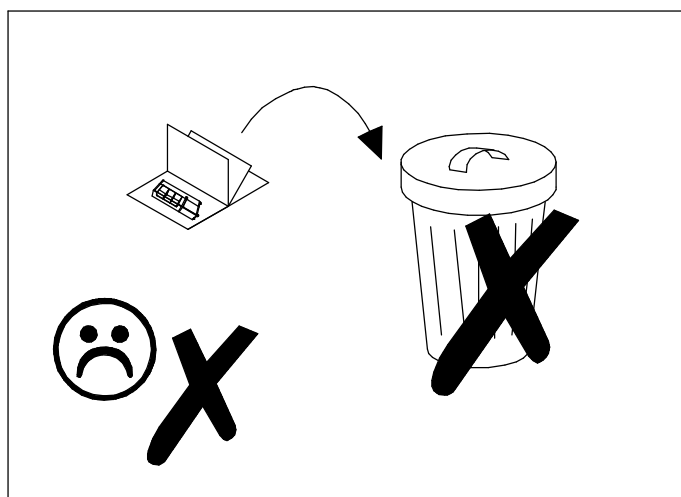
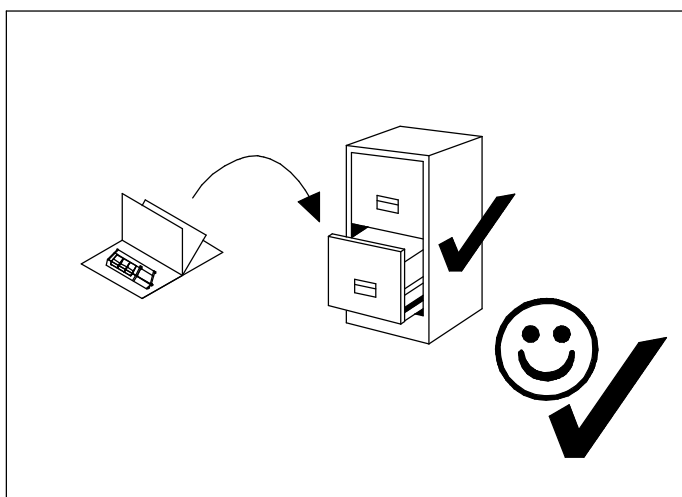
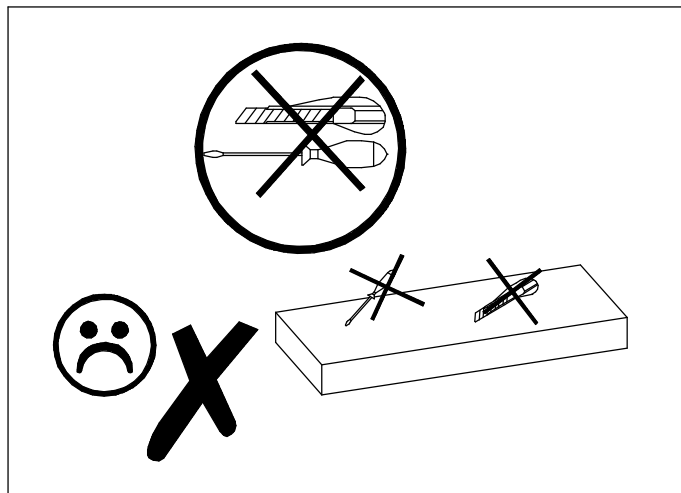
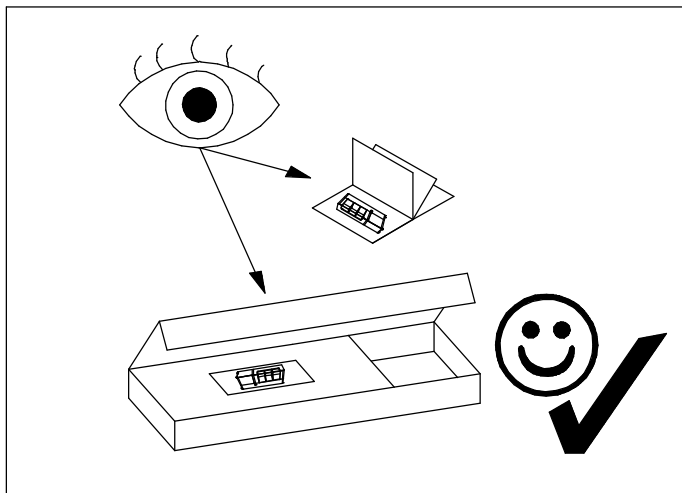


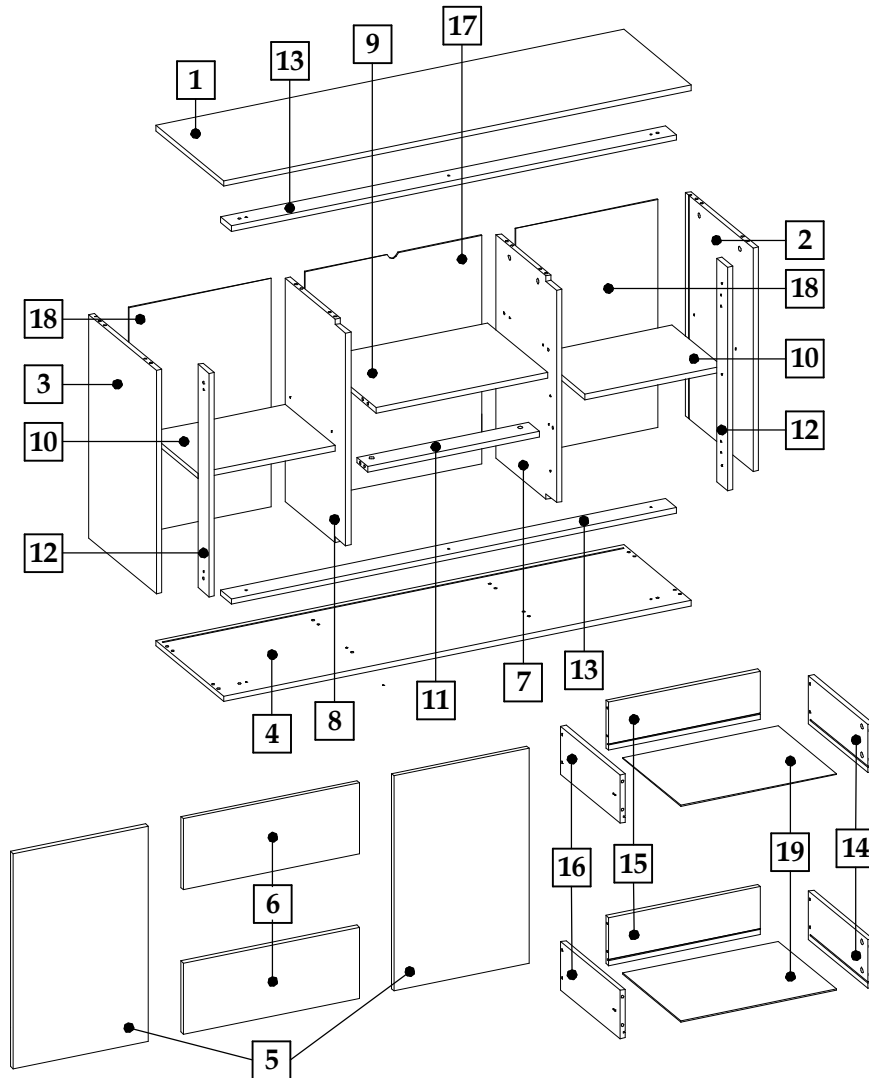
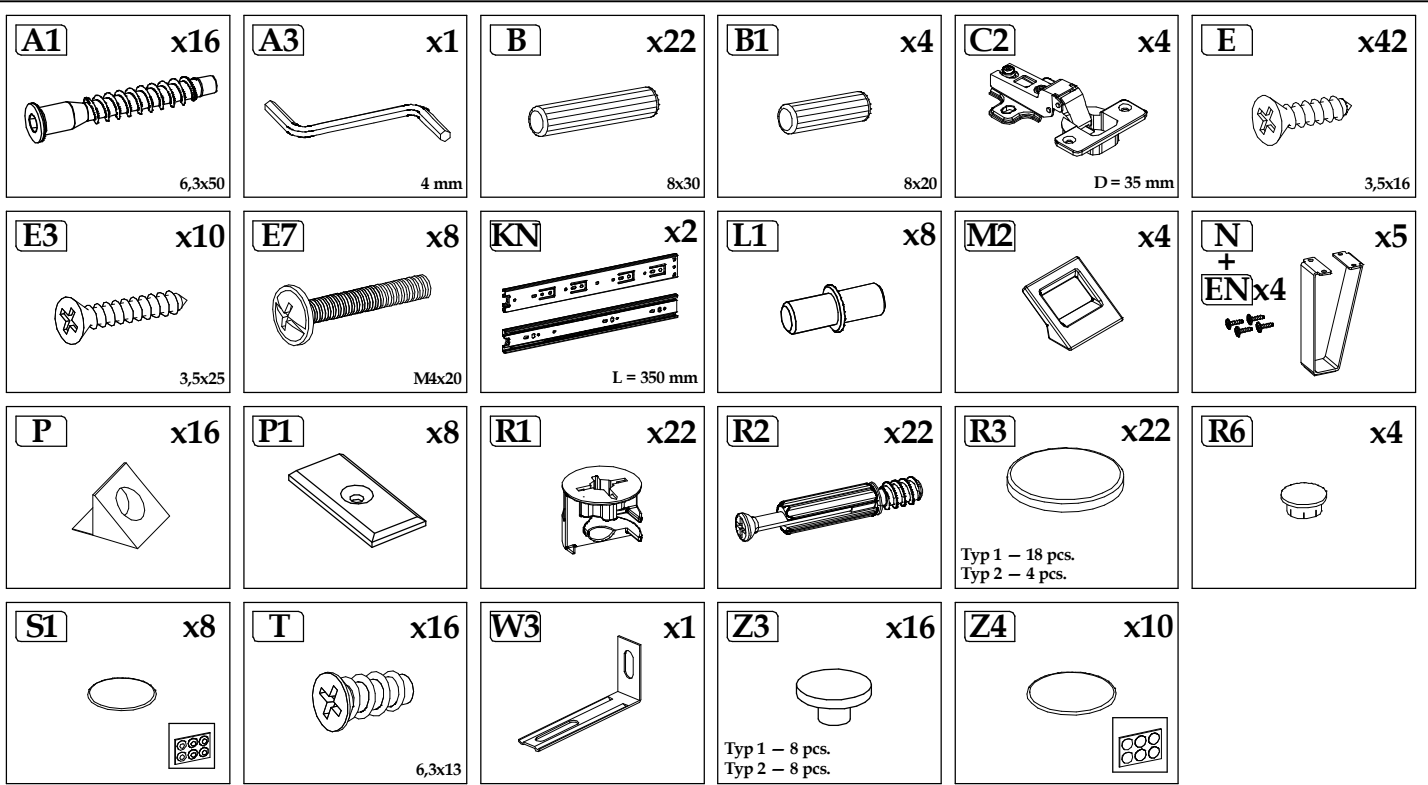
# TIRION E



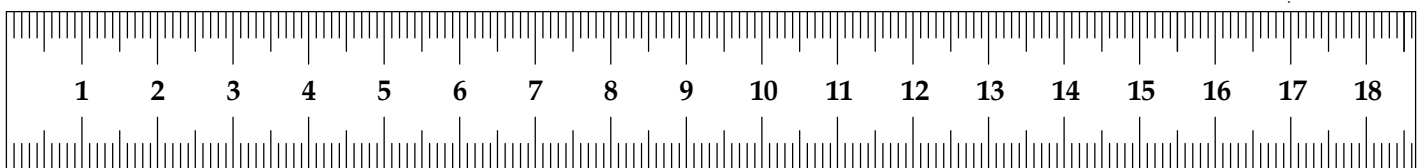
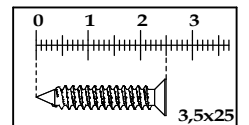
100 min



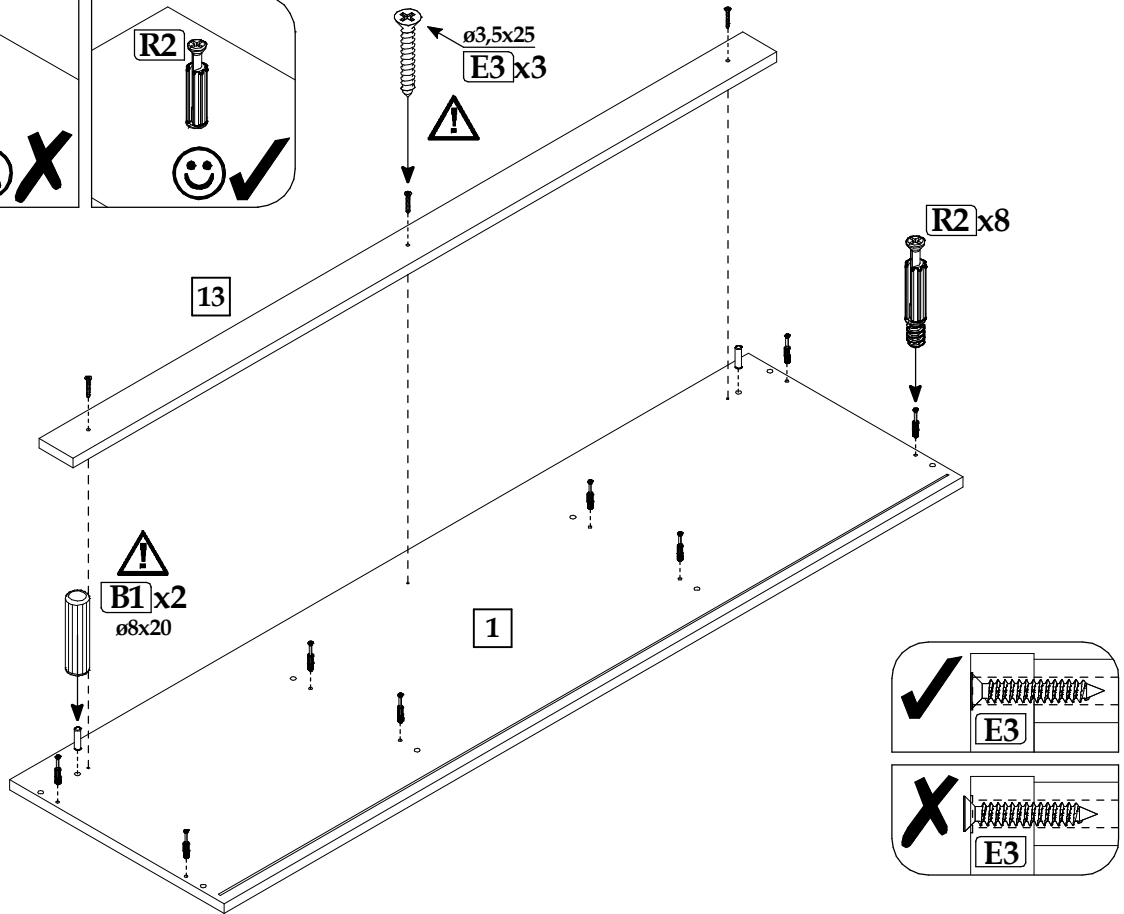
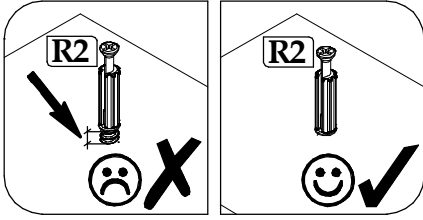




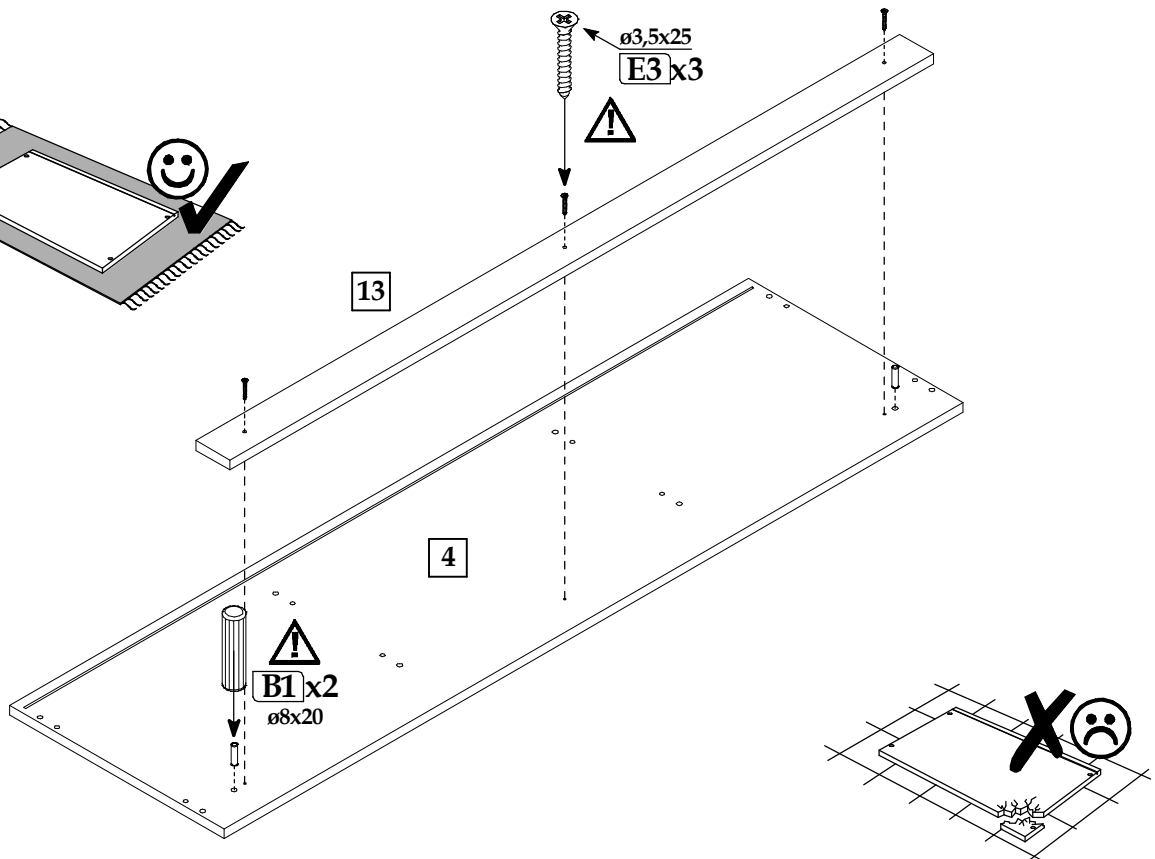
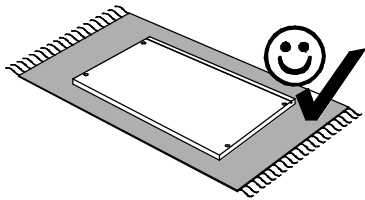
Element symbol	Measurements				Code	Pack
	1	2	3	4		
1	1382	401	16	1	1004	1/ 2
2	648	400	16	1	1001	2/ 2
3	648	400	16	1	1002	2/ 2
4	1382	401	16	1	1003	1/ 2
5	624	399	16	2	1008/ 1030	1/ 2
6	520	206	16	2	1031/ 1032	1/ 2
7	648	358	16	1	1009	2/ 2
8	648	358	16	1	1010	2/ 2
9	507	357	16	1	1038	1/ 2
10	404,5	357	16	2	N/ A	1/ 2
11	507	65	16	1	1037	1/ 2
12	648	65	16	2	1007/ 1029	1/ 2
13	1316	64	16	2	1011/ 1027	1/ 2
14	350,5	140	16	2	1033/ 1039	1/ 2
15	449,5	139	16	2	1034/ 1040	1/ 2
16	350,5	140	16	2	1035/ 1041	1/ 2
17	333	523	3	2	1050_v	1/ 2
18	662	419	3	2	N/ A	2/ 2
19	459,5	344	3	2	N/ A	1/ 2



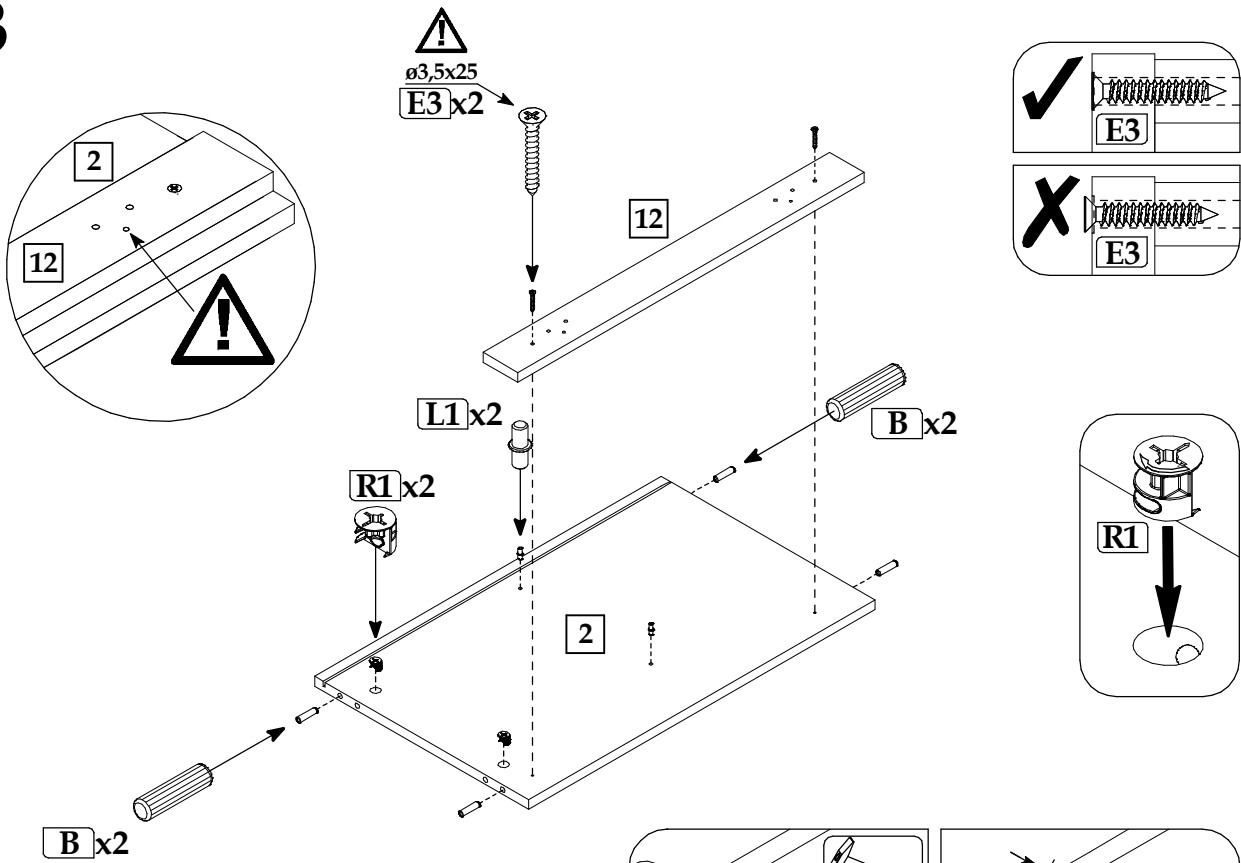
▶ 1



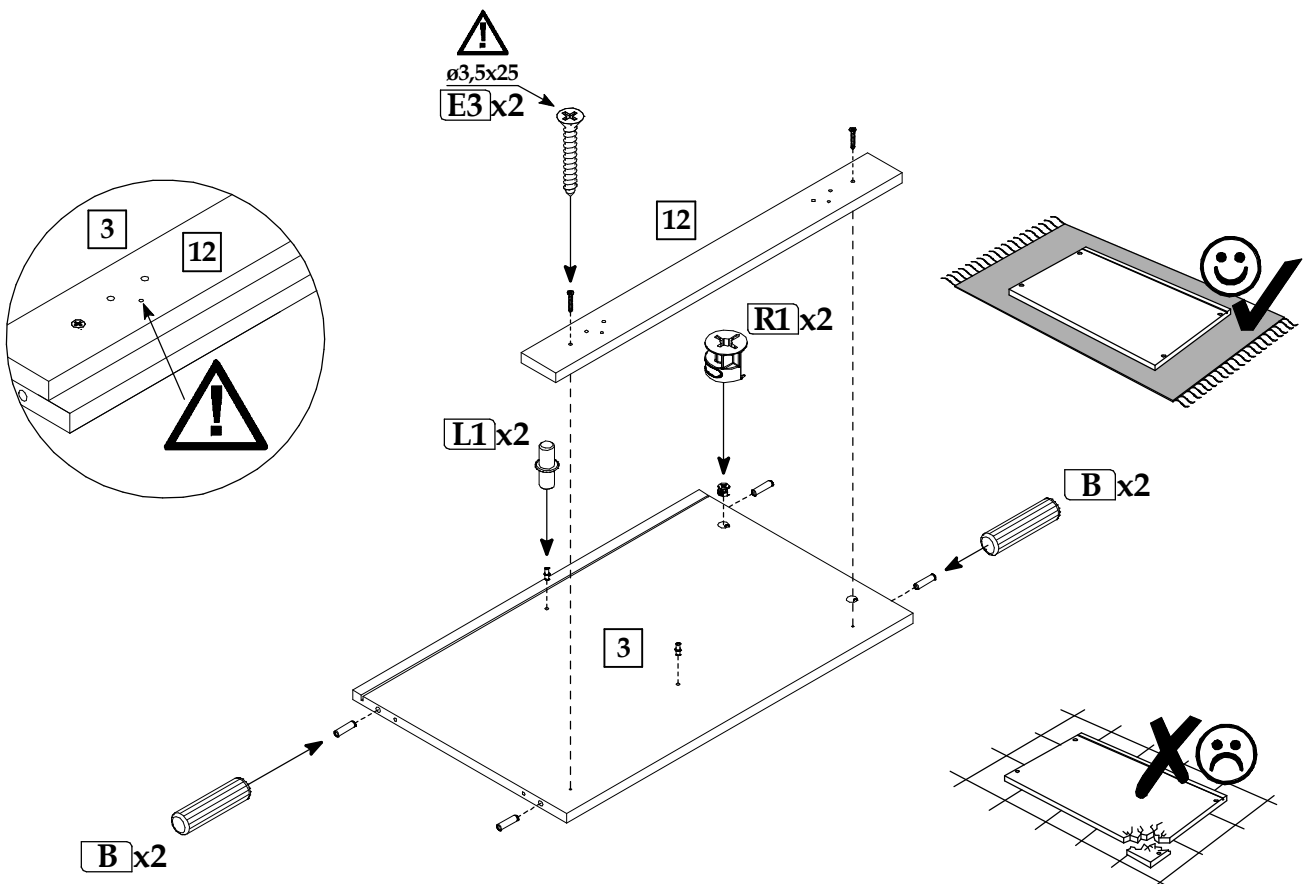
▶ 2

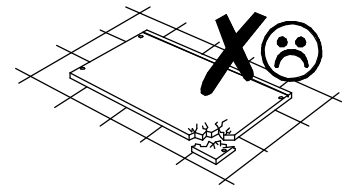
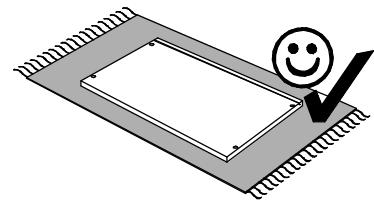
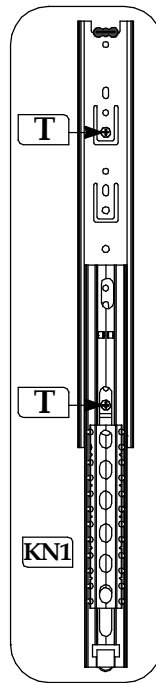
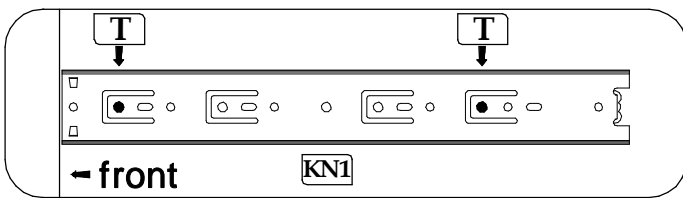
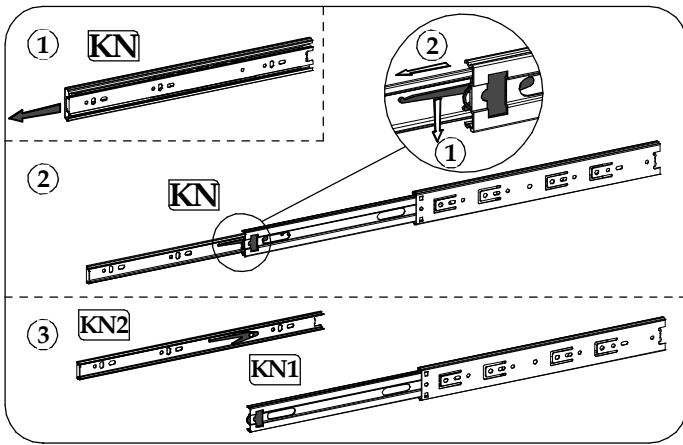


▶ 3

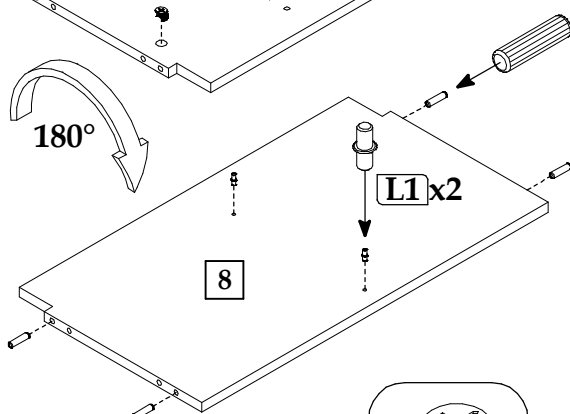
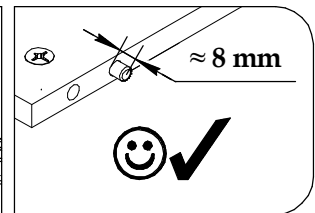
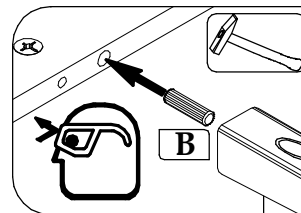
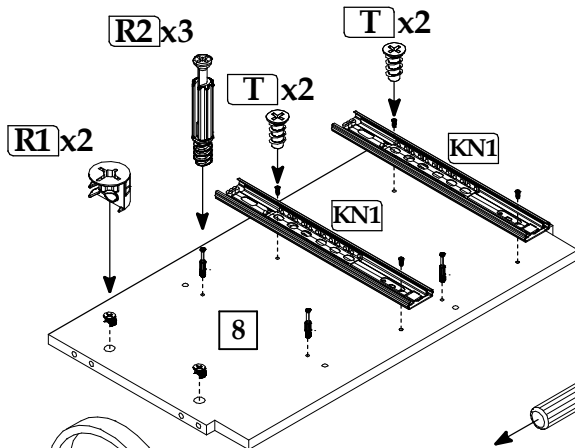


▶ 4

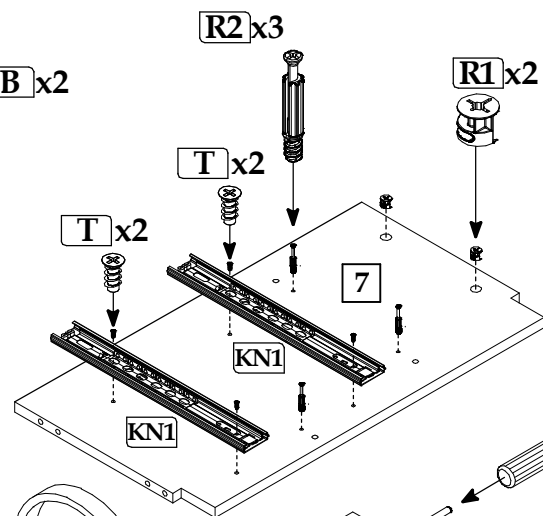




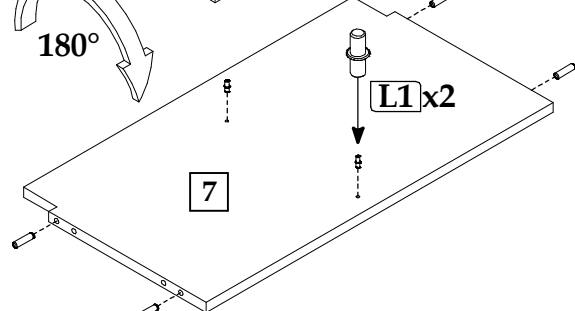
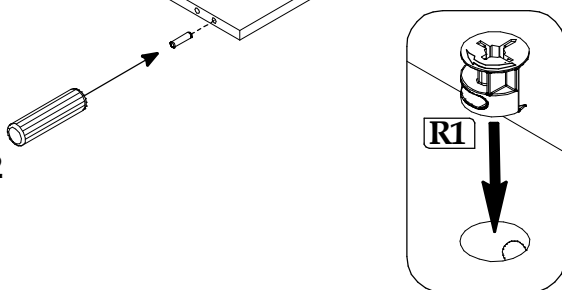
▶ 5



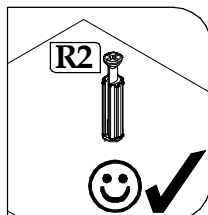
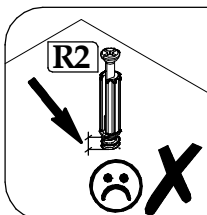
B x2

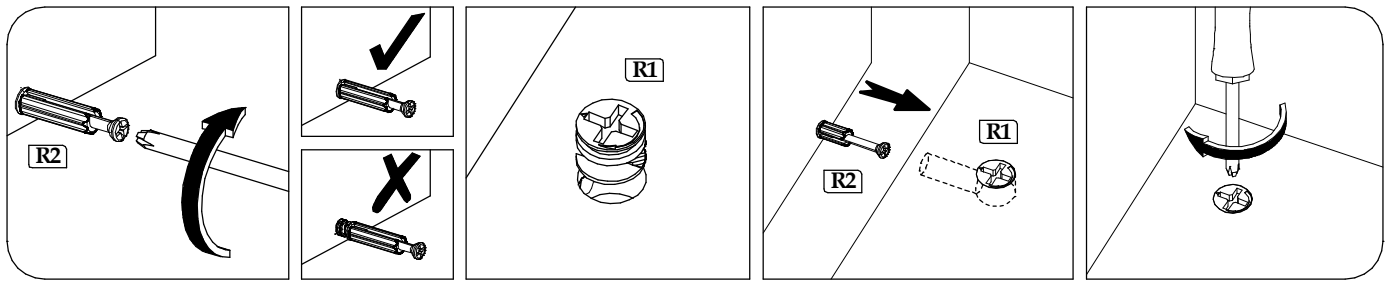


B x2

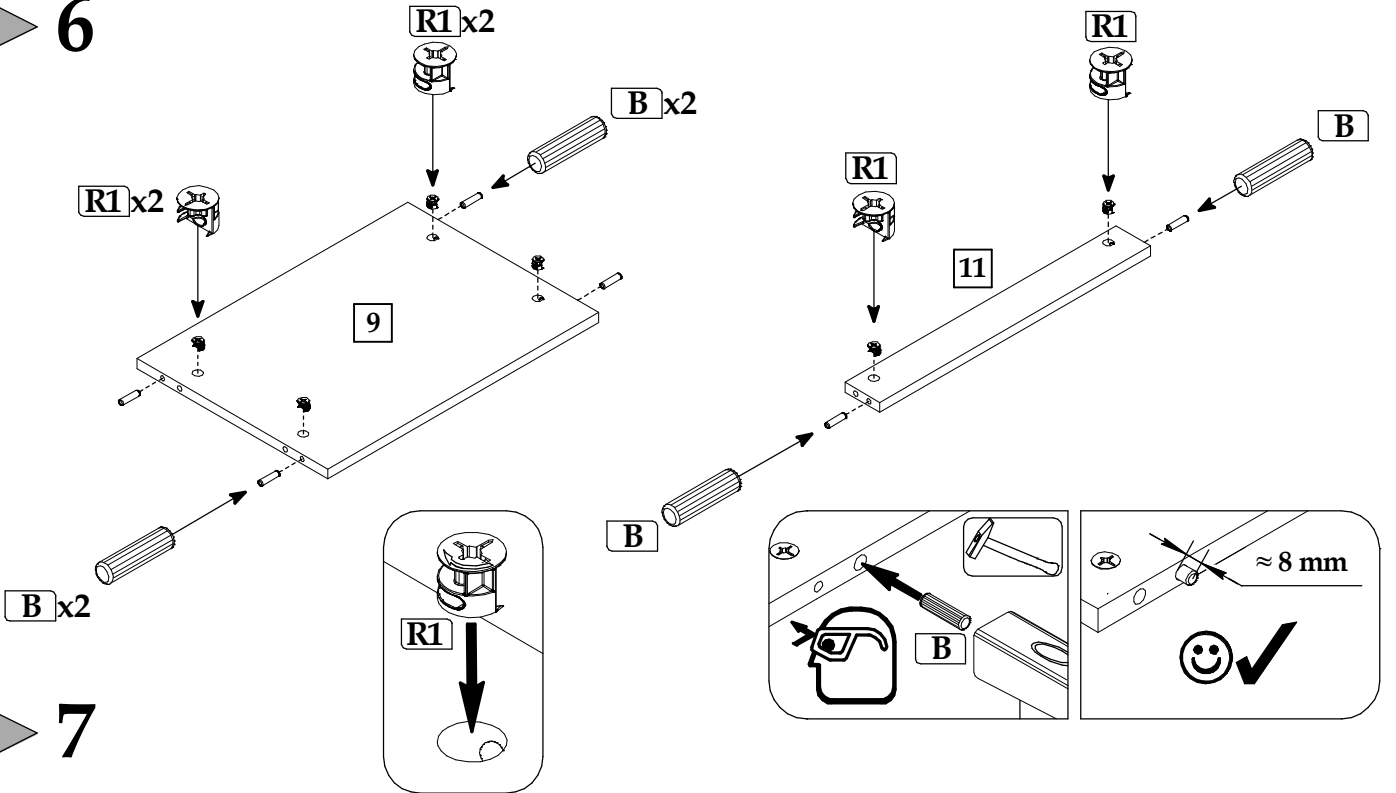


B x2

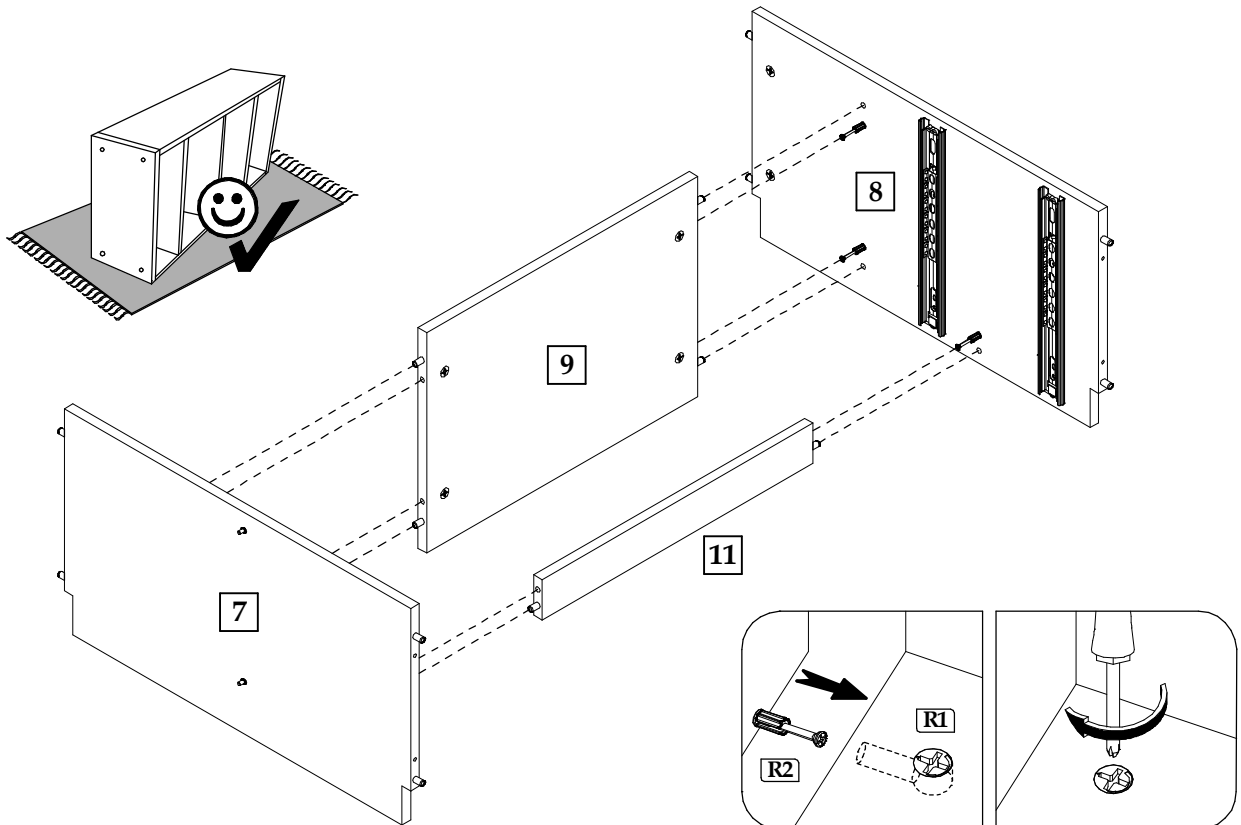




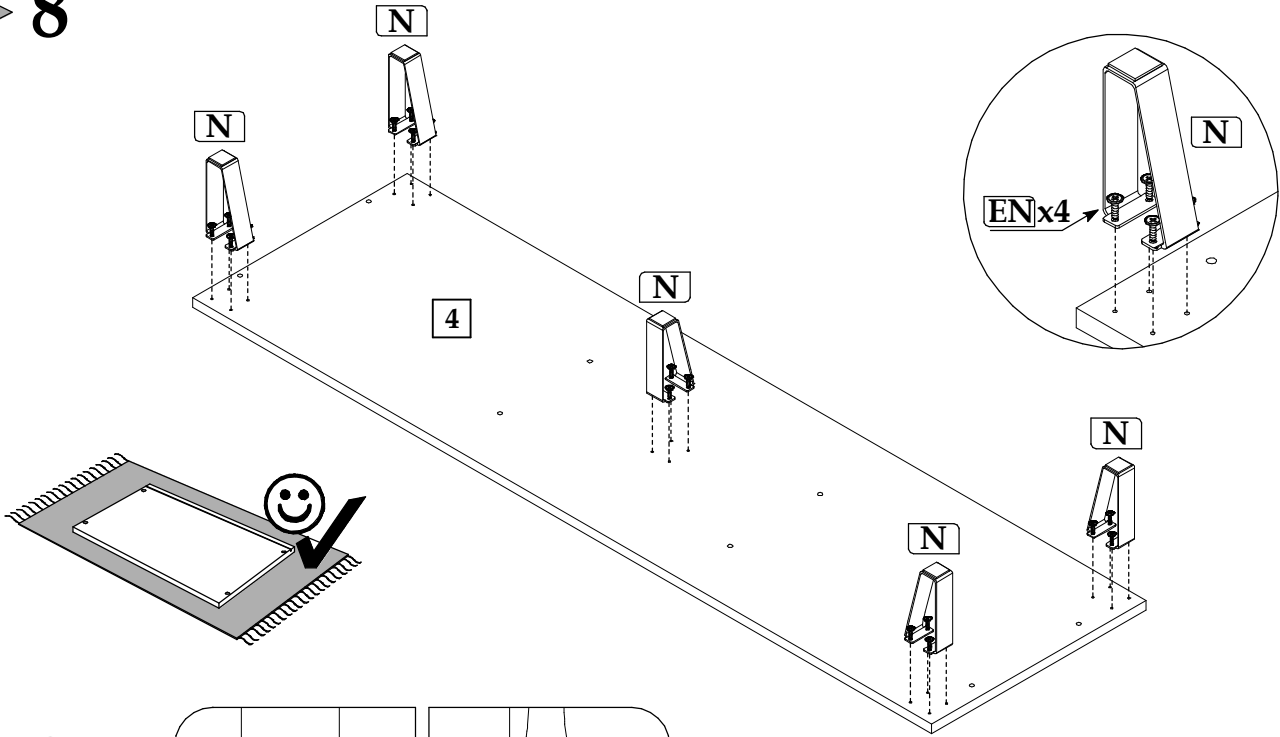
▶ 6



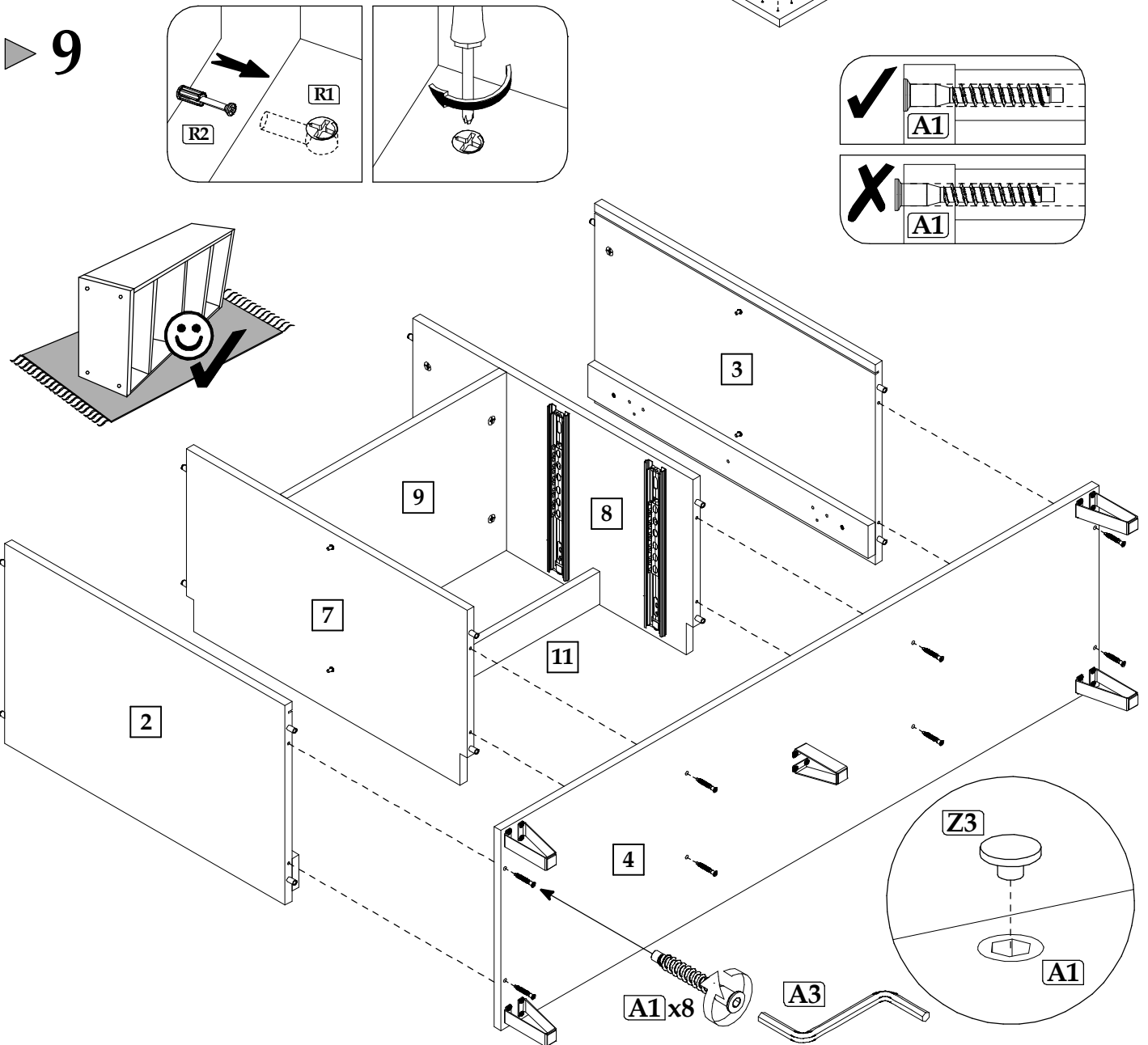
▶ 7



▶ 8

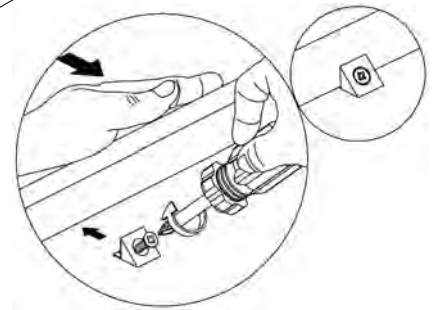
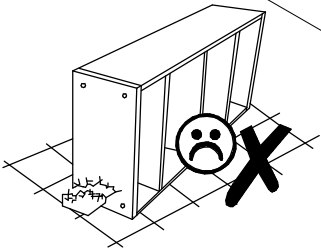
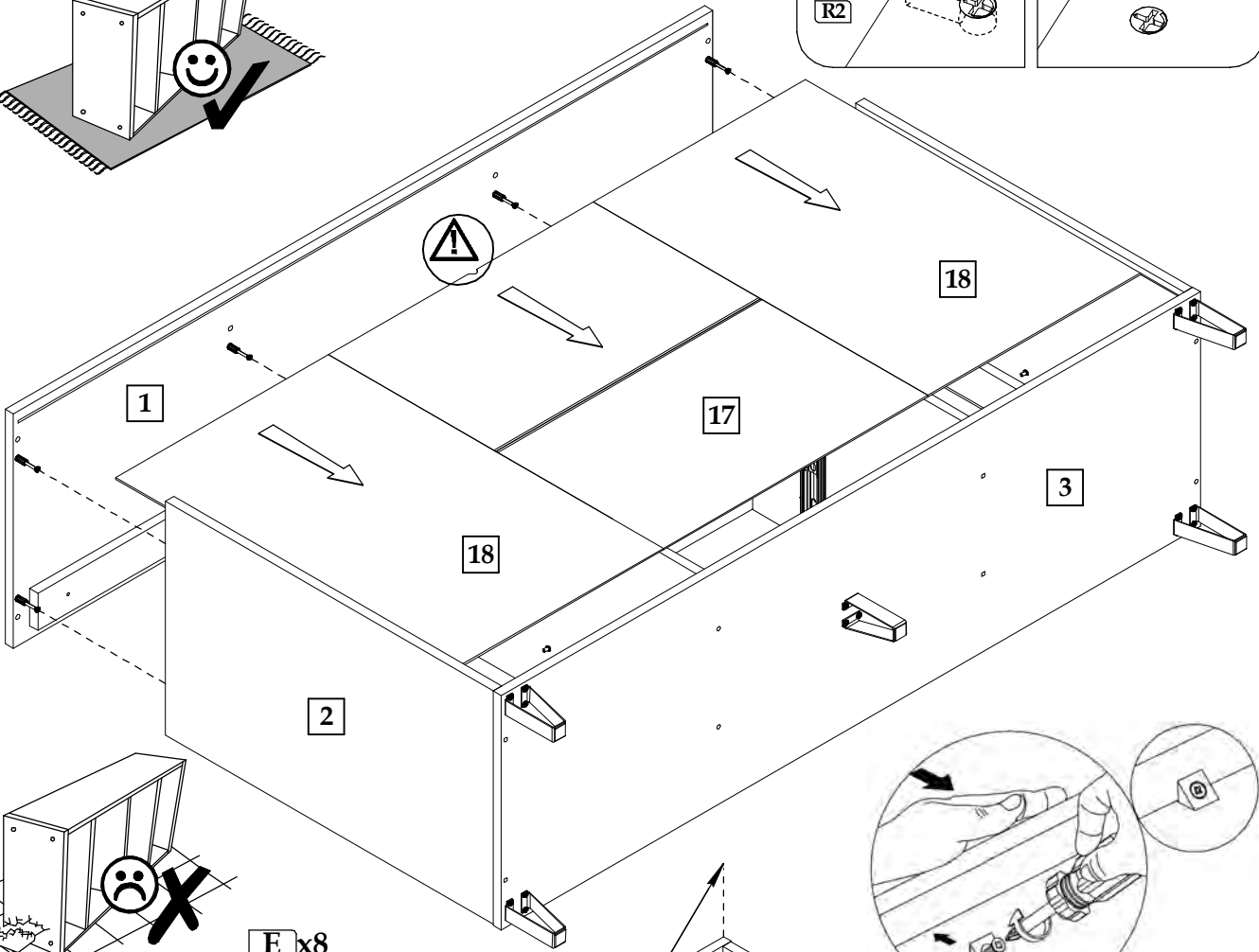
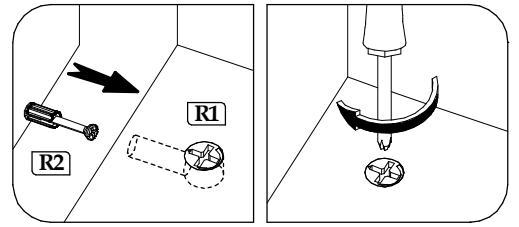
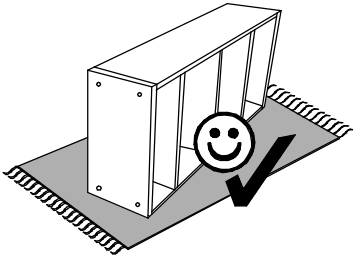


▶ 9

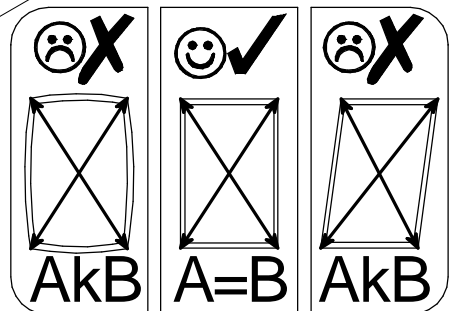
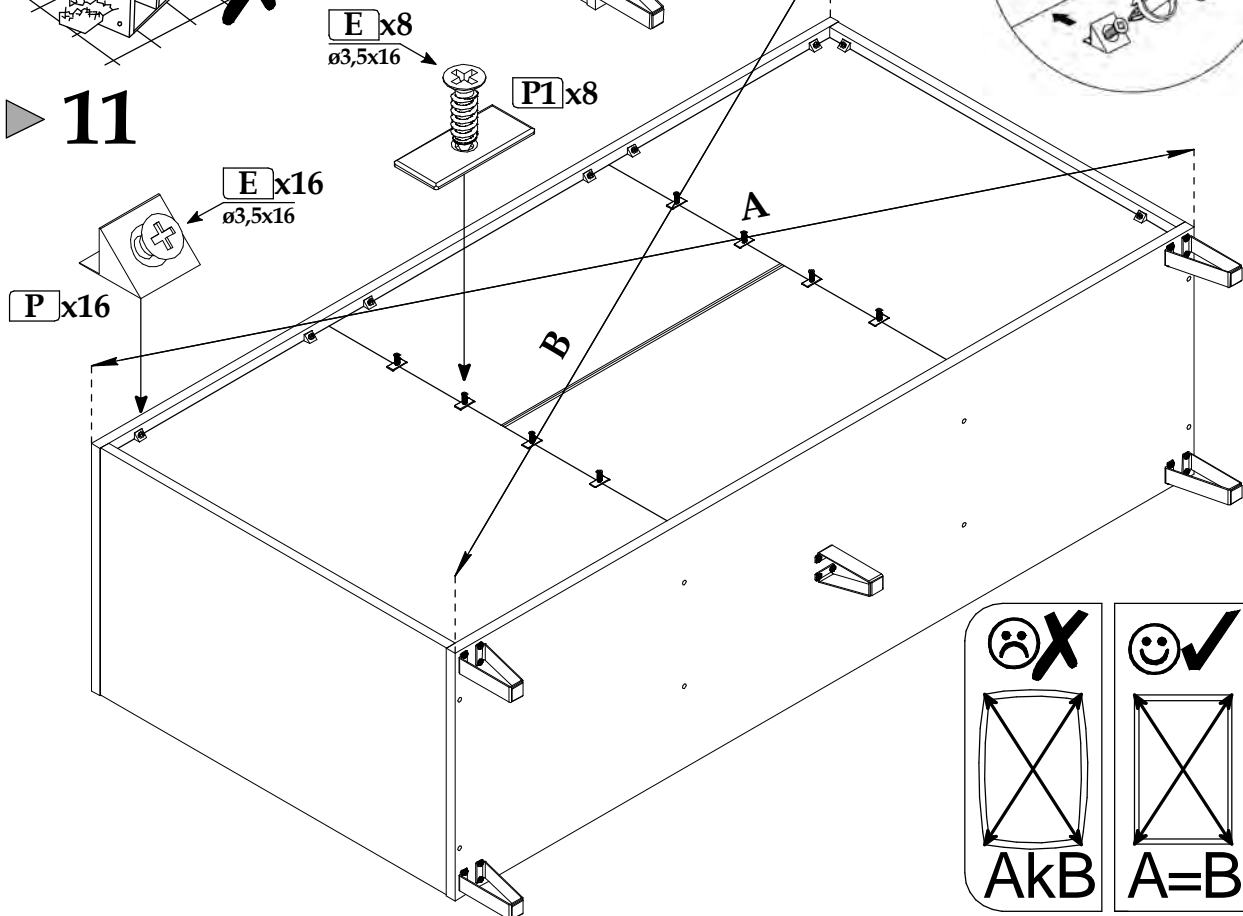




▶ 10

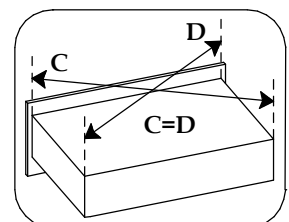
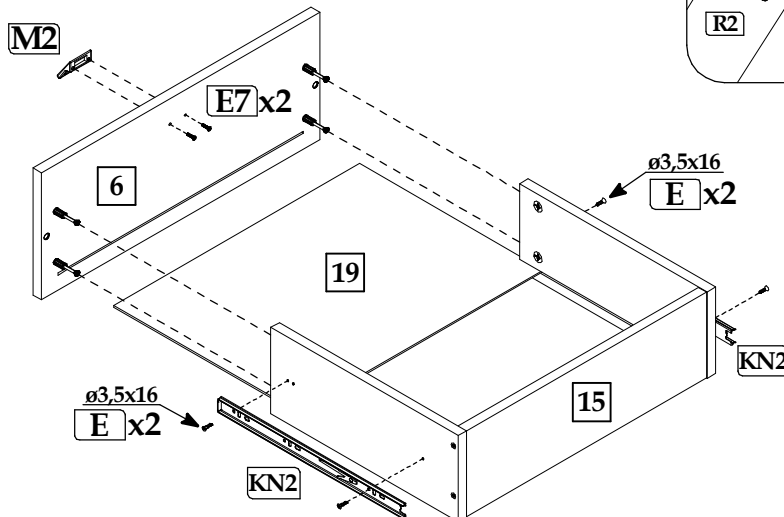
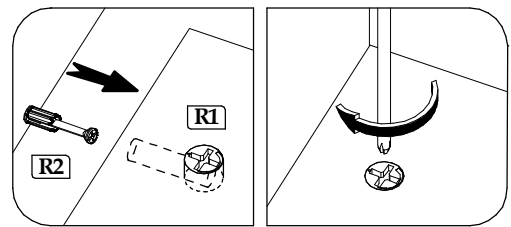
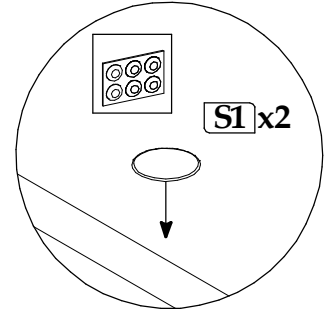
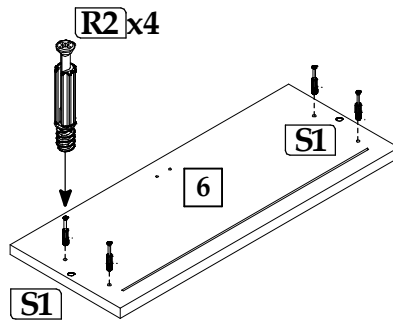
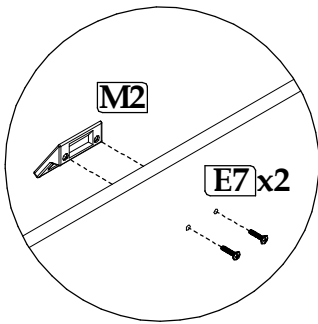
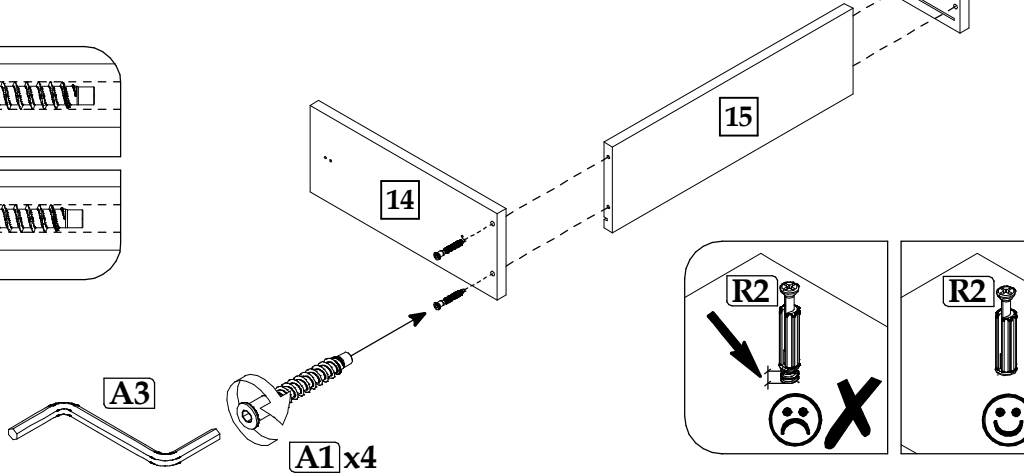
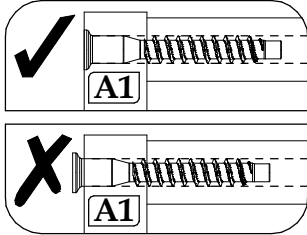
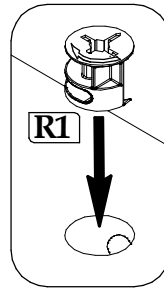
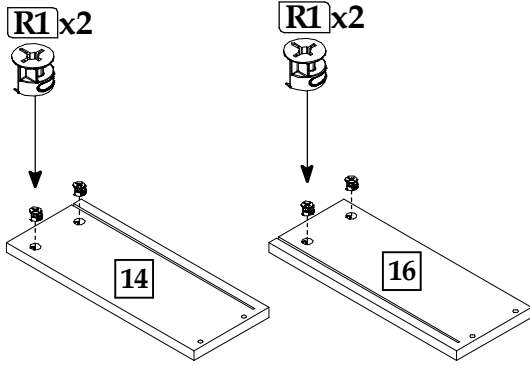


▶ 11

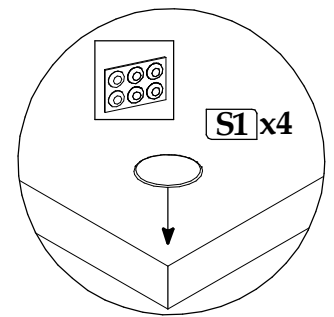
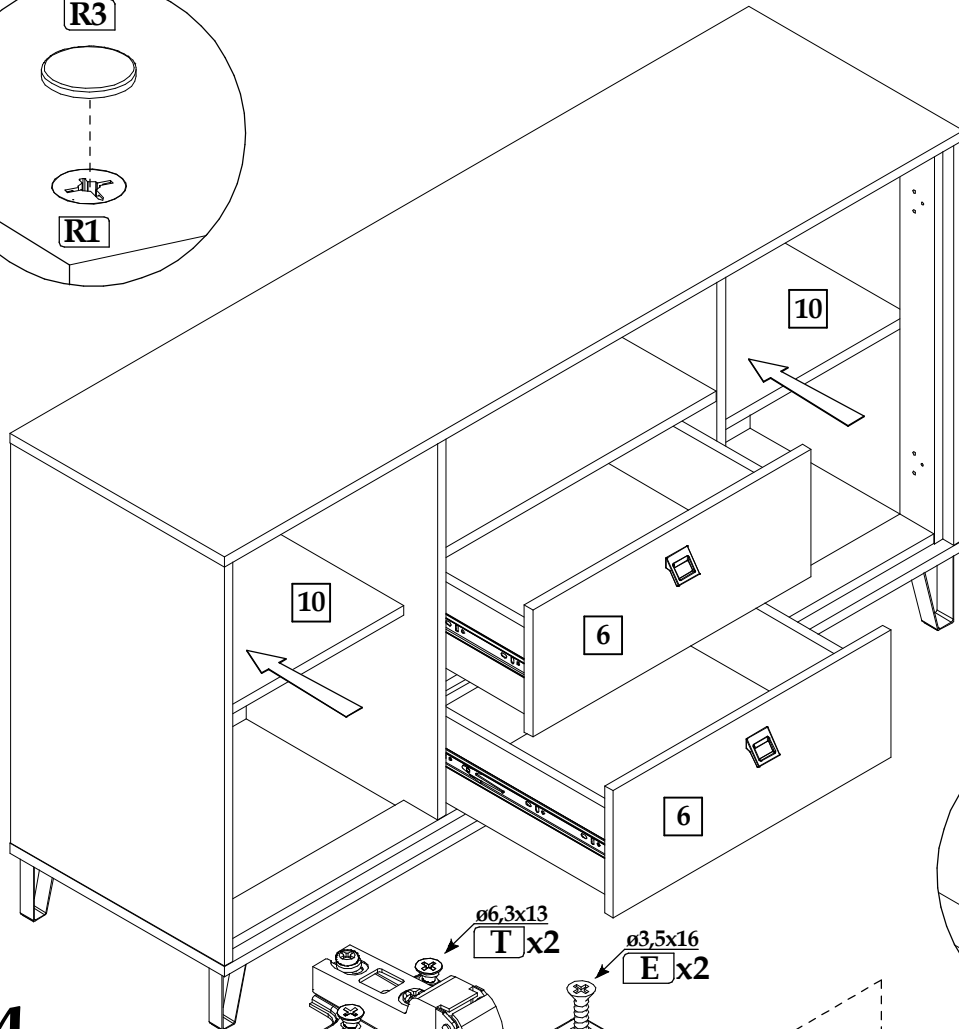
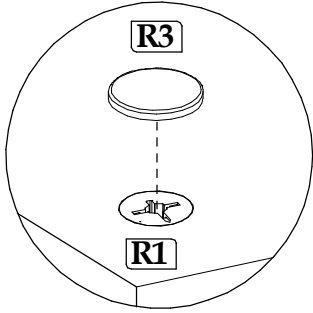
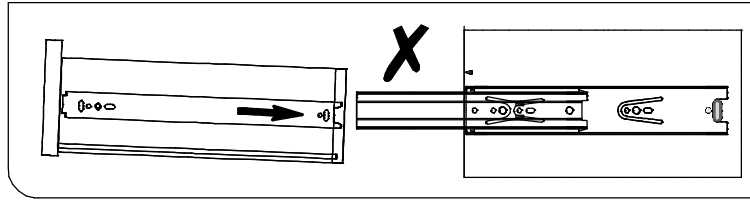
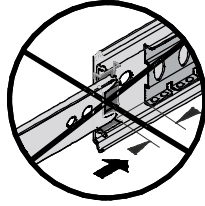
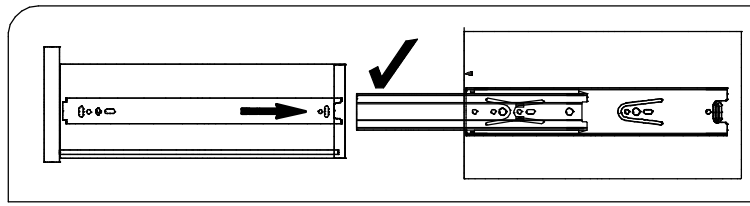
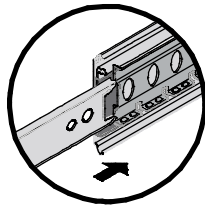


▶ 12

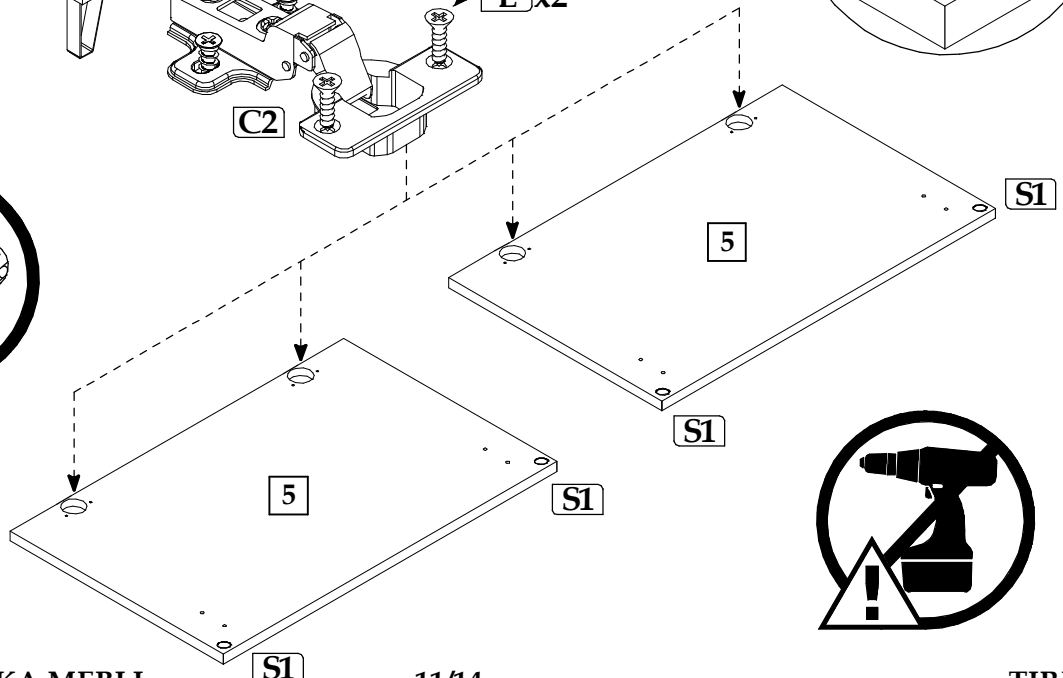
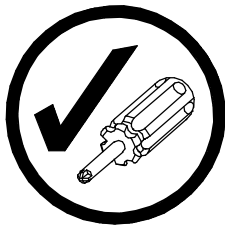
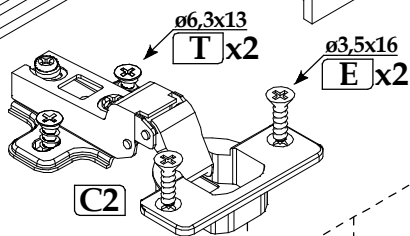
x2



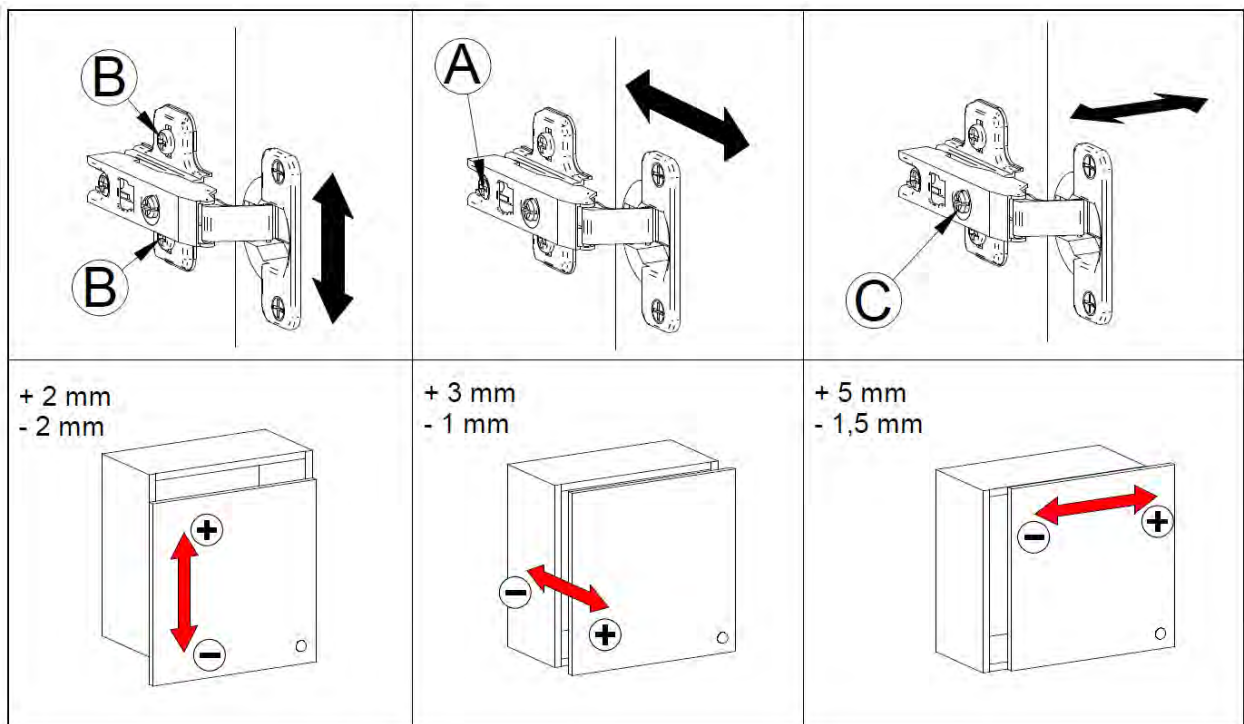
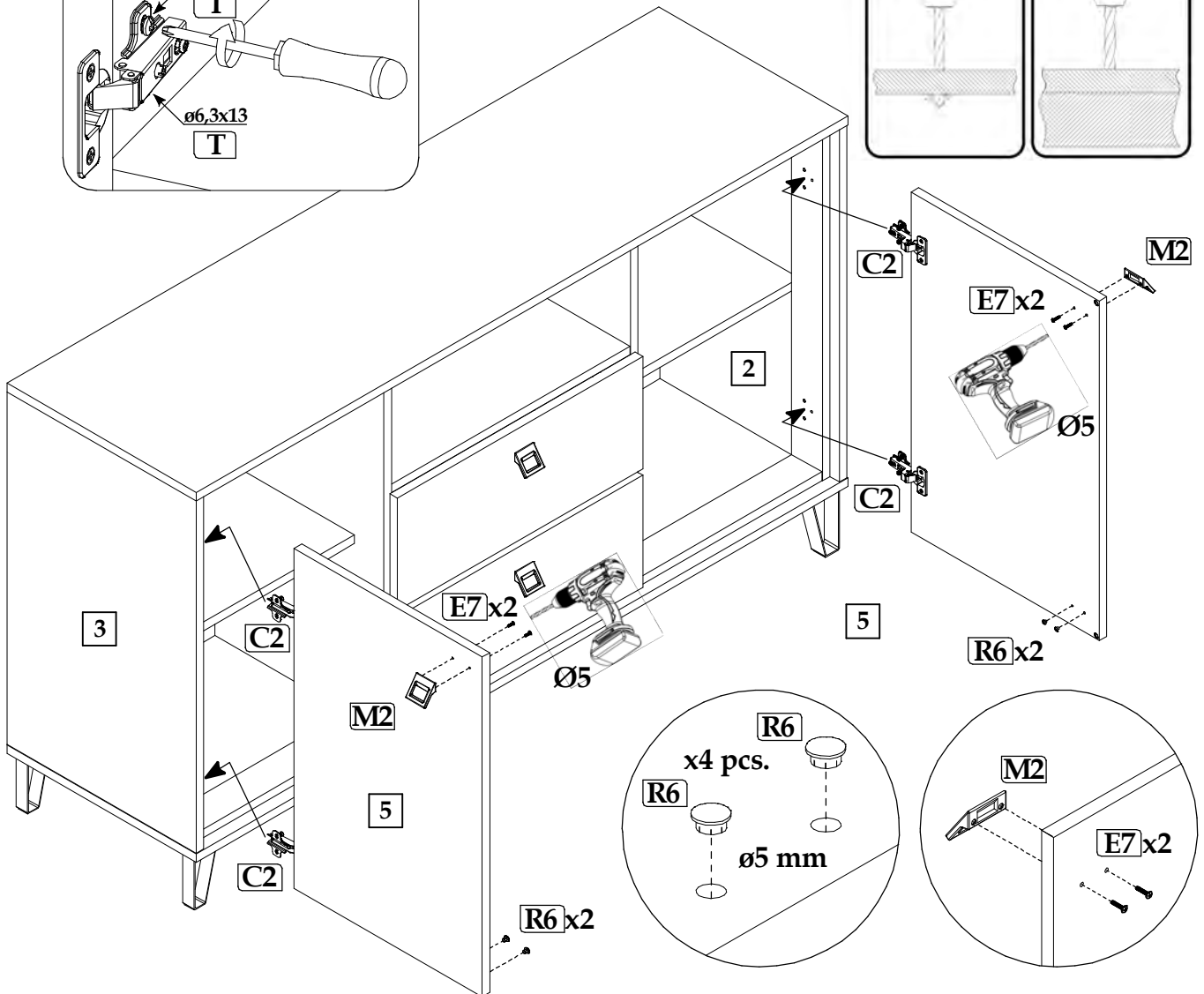
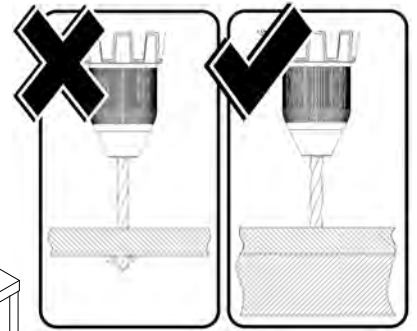
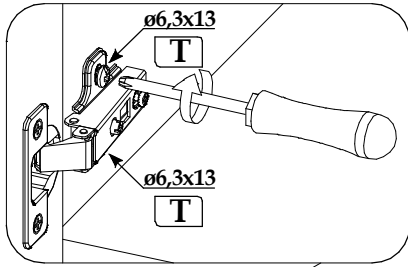
▶ 13



▶ 14



▶ 15



# ▶ 16

