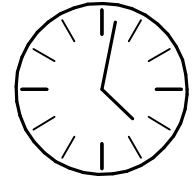
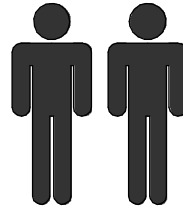
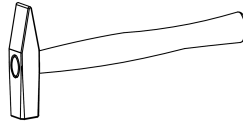
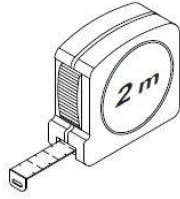
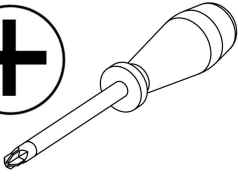
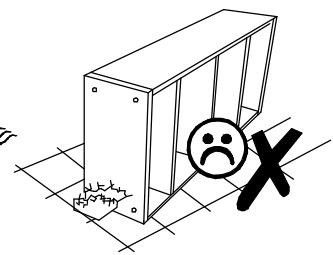
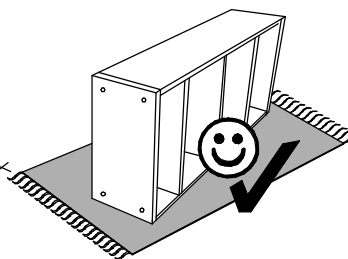
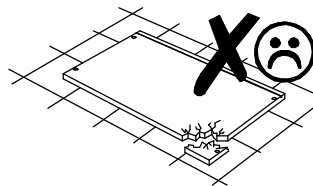
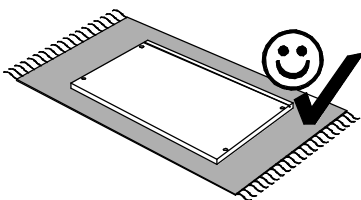
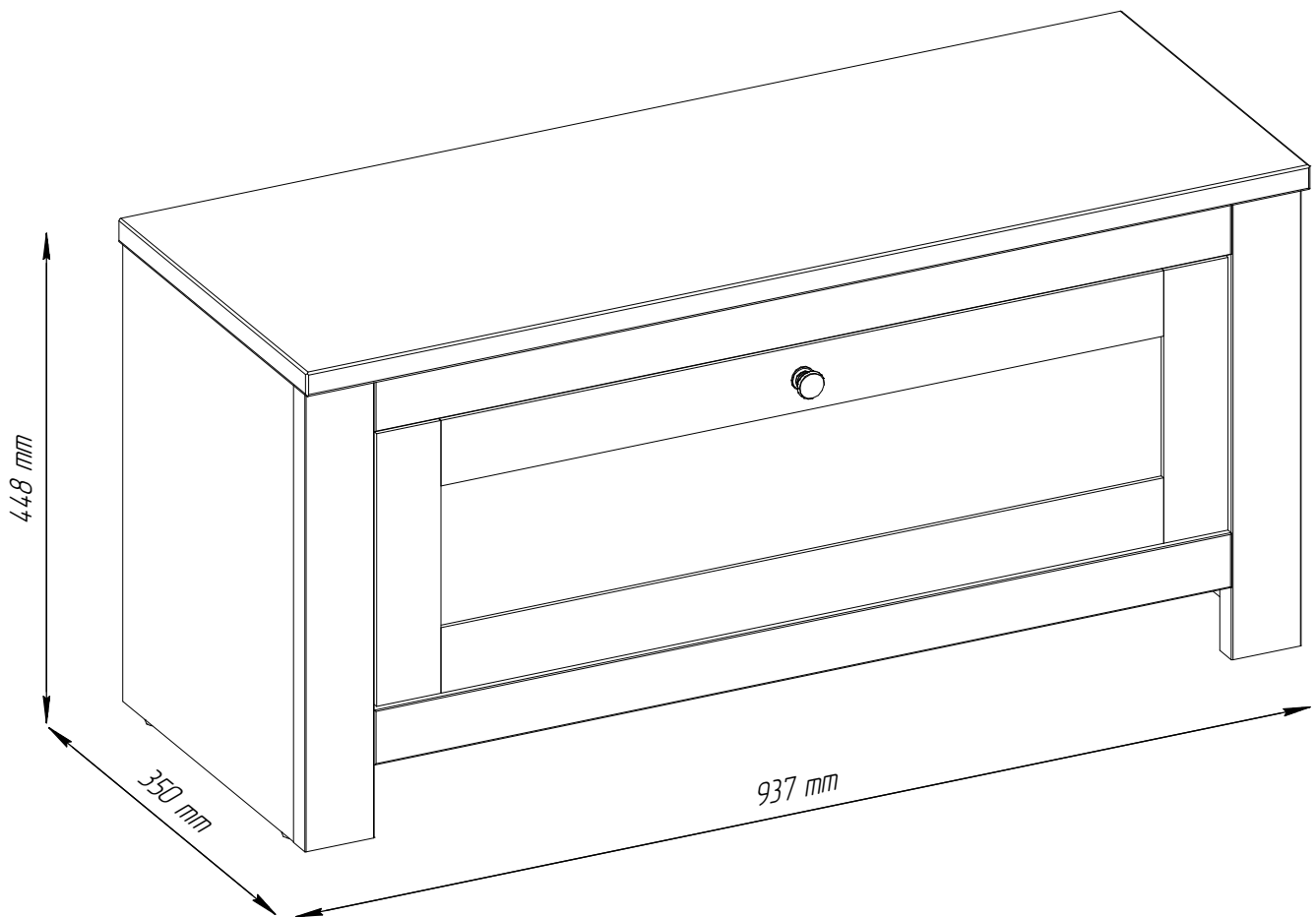
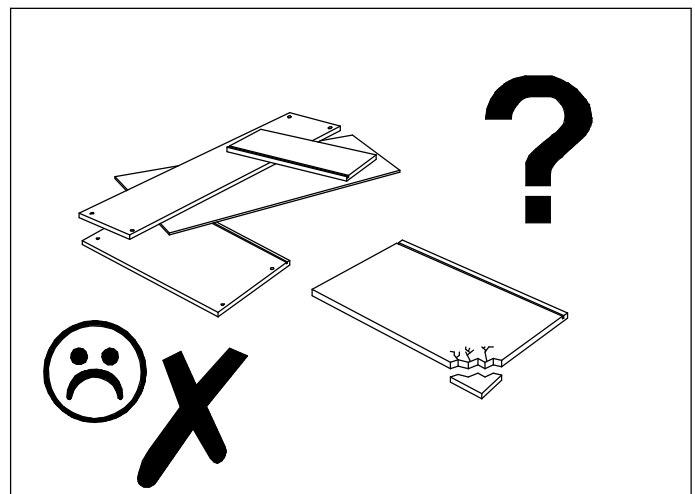
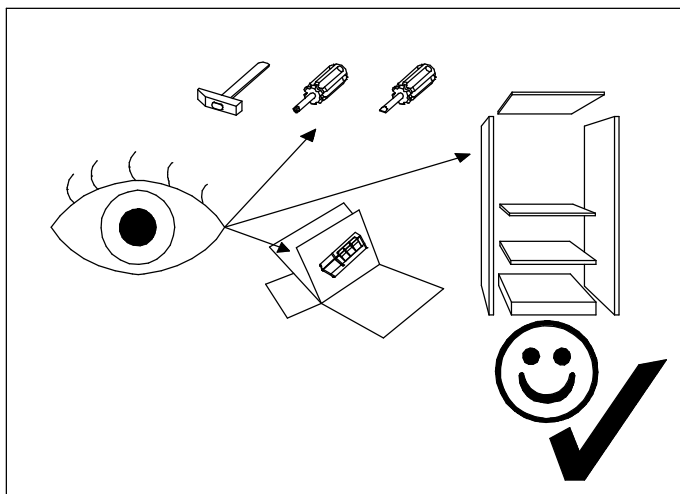
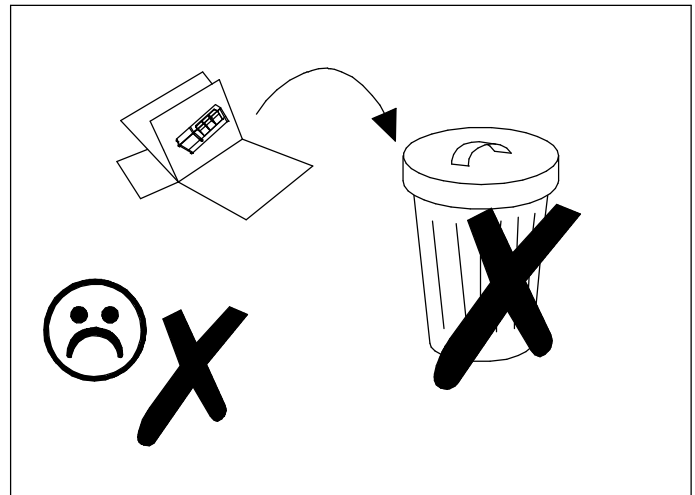
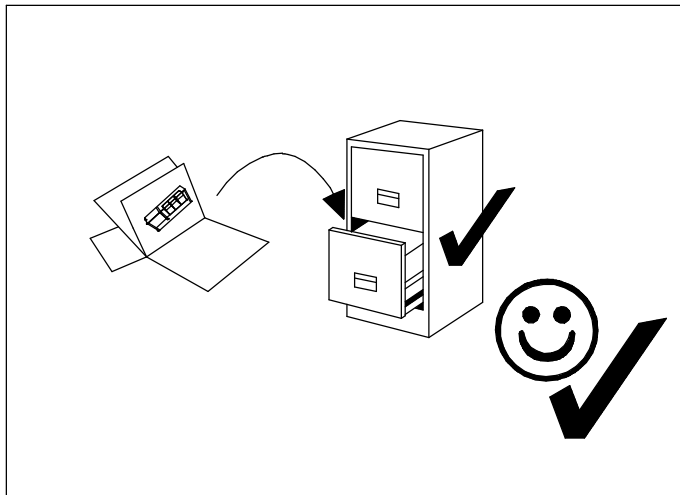
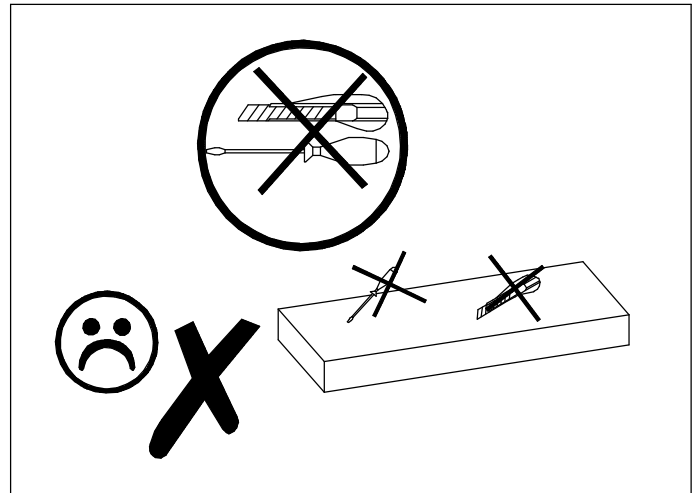
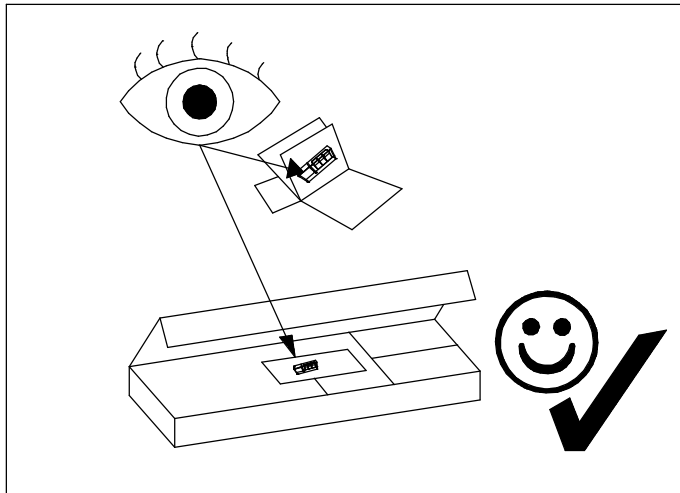


TOKIO B

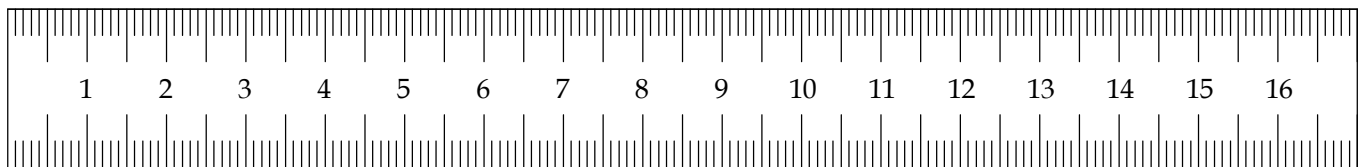
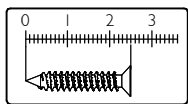
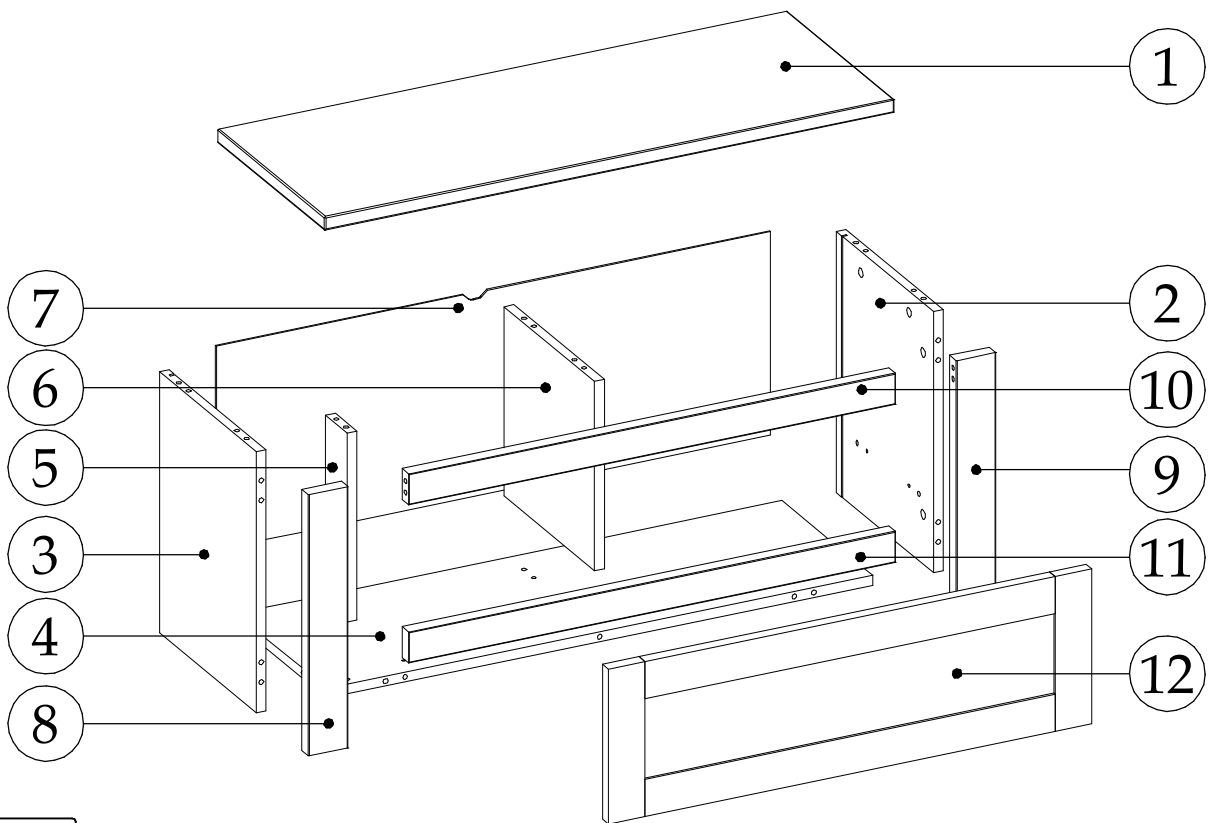


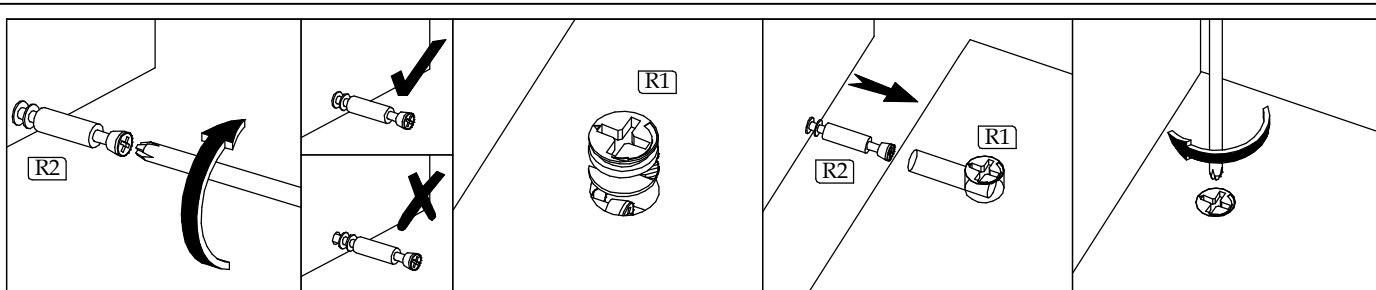
60 min



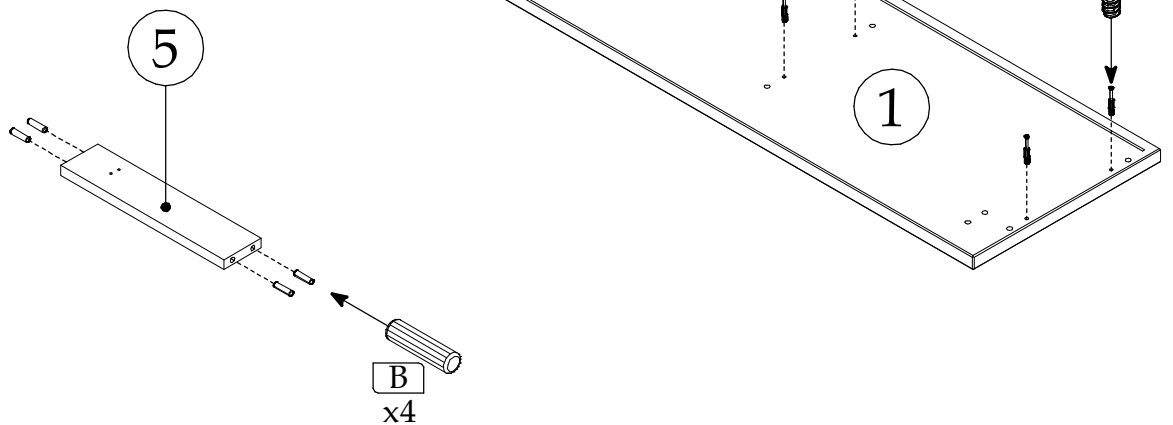
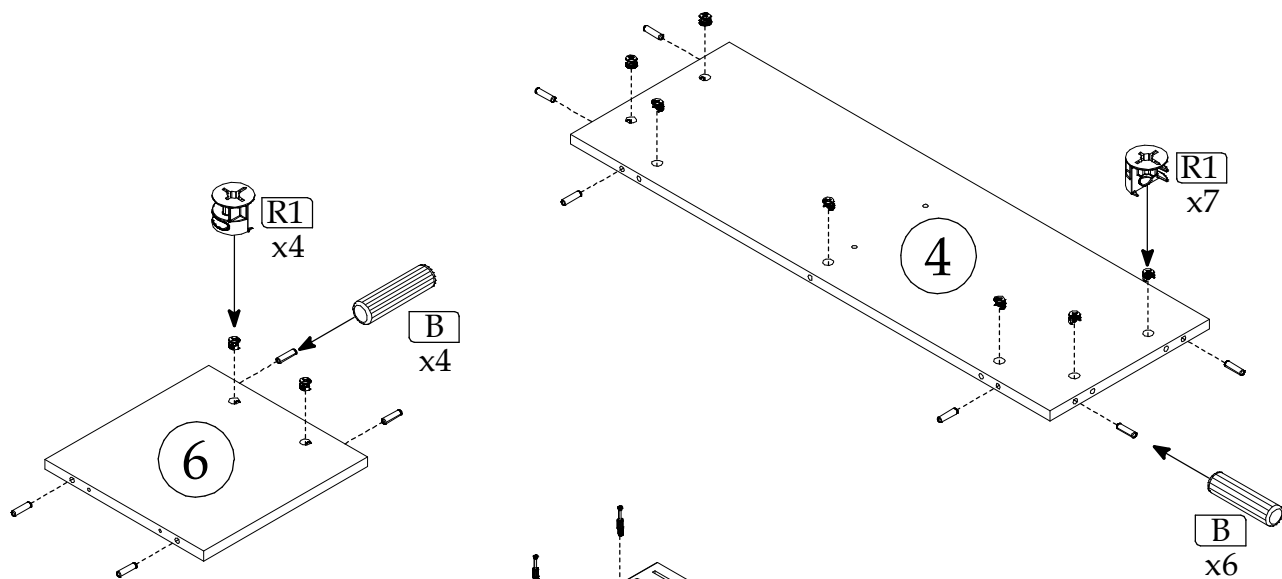
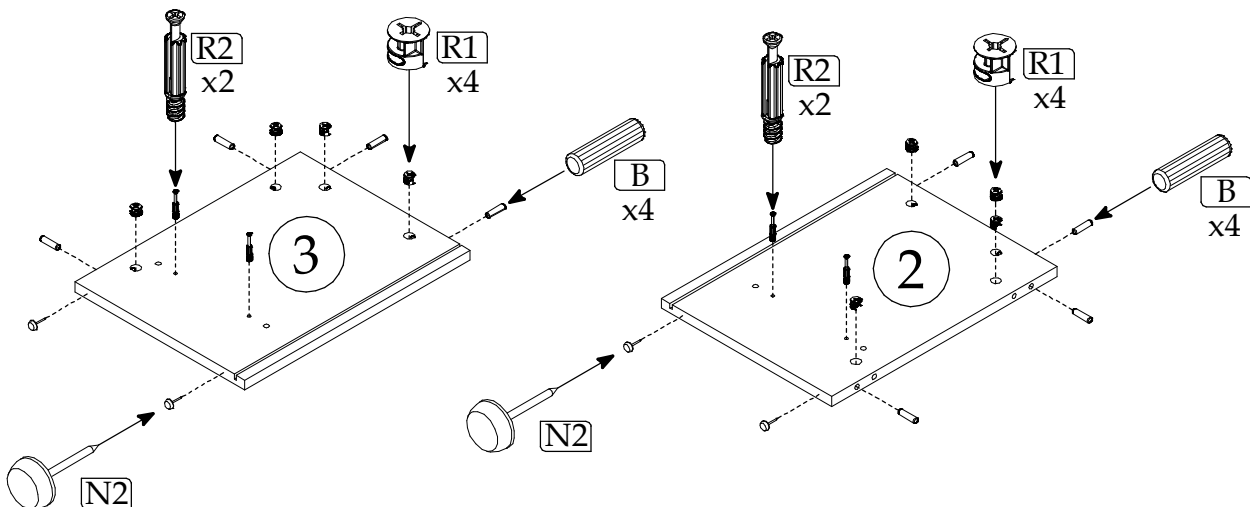


A1	x2	A3	x1	B	x22	B2	x4	C4	x2	E	x23																																																																																											
6.4x50		4mm		8x30		8x50				3.5x16																																																																																												
E5	x1	M	x1	N2	x4	N4	x1	<table border="1"> <thead> <tr> <th>Element symbol</th> <th colspan="4">Measurements</th> <th>Code</th> <th>Paket</th> </tr> </thead> <tbody> <tr><td>1</td><td>937</td><td>350</td><td>22</td><td>1</td><td>1002</td><td>1/1</td></tr> <tr><td>2</td><td>421</td><td>318</td><td>16</td><td>1</td><td>1003</td><td>1/1</td></tr> <tr><td>3</td><td>421</td><td>318</td><td>16</td><td>1</td><td>1004</td><td>1/1</td></tr> <tr><td>4</td><td>897</td><td>298</td><td>16</td><td>1</td><td>1005</td><td>1/1</td></tr> <tr><td>5</td><td>305.5</td><td>70</td><td>16</td><td>1</td><td>1064</td><td>1/1</td></tr> <tr><td>6</td><td>305.5</td><td>297</td><td>16</td><td>1</td><td>1009</td><td>1/1</td></tr> <tr><td>7</td><td>911</td><td>328.5</td><td>3</td><td>1</td><td>1006</td><td>1/1</td></tr> <tr><td>8</td><td>421</td><td>65</td><td>22</td><td>1</td><td>3001</td><td>1/1</td></tr> <tr><td>9</td><td>421</td><td>65</td><td>22</td><td>1</td><td>3002</td><td>1/1</td></tr> <tr><td>10</td><td>800</td><td>50</td><td>22</td><td>1</td><td>3003</td><td>1/1</td></tr> <tr><td>11</td><td>800</td><td>50</td><td>22</td><td>1</td><td>3004</td><td>1/1</td></tr> <tr><td>12</td><td>795</td><td>250</td><td>19</td><td>1</td><td>3005</td><td>1/1</td></tr> </tbody> </table>				Element symbol	Measurements				Code	Paket	1	937	350	22	1	1002	1/1	2	421	318	16	1	1003	1/1	3	421	318	16	1	1004	1/1	4	897	298	16	1	1005	1/1	5	305.5	70	16	1	1064	1/1	6	305.5	297	16	1	1009	1/1	7	911	328.5	3	1	1006	1/1	8	421	65	22	1	3001	1/1	9	421	65	22	1	3002	1/1	10	800	50	22	1	3003	1/1	11	800	50	22	1	3004	1/1	12	795	250	19	1	3005	1/1
Element symbol	Measurements				Code	Paket																																																																																																
1	937	350	22	1	1002	1/1																																																																																																
2	421	318	16	1	1003	1/1																																																																																																
3	421	318	16	1	1004	1/1																																																																																																
4	897	298	16	1	1005	1/1																																																																																																
5	305.5	70	16	1	1064	1/1																																																																																																
6	305.5	297	16	1	1009	1/1																																																																																																
7	911	328.5	3	1	1006	1/1																																																																																																
8	421	65	22	1	3001	1/1																																																																																																
9	421	65	22	1	3002	1/1																																																																																																
10	800	50	22	1	3003	1/1																																																																																																
11	800	50	22	1	3004	1/1																																																																																																
12	795	250	19	1	3005	1/1																																																																																																
4x25																																																																																																						
P	x5	R1	x17	R2	x17	R3	x7																																																																																															
T	x4	W3	x1																																																																																																			
6.3x13																																																																																																						

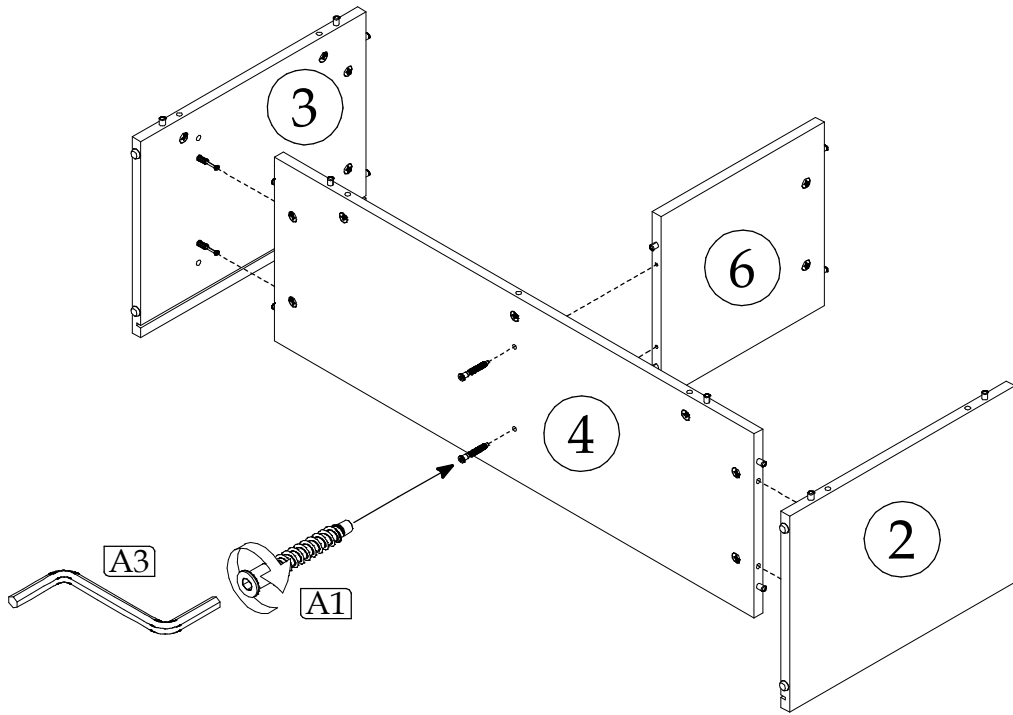




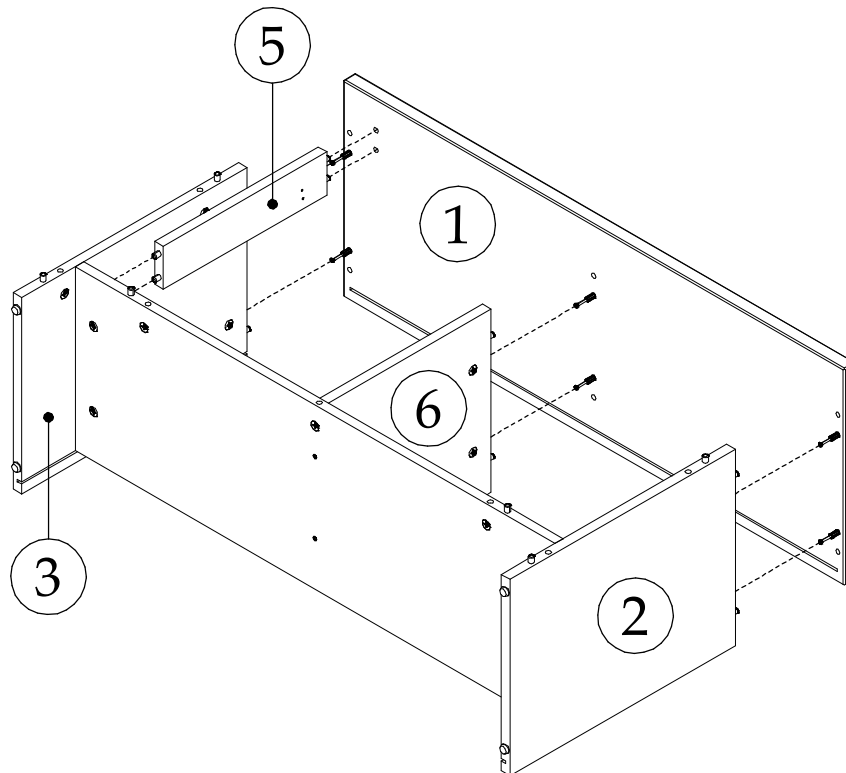
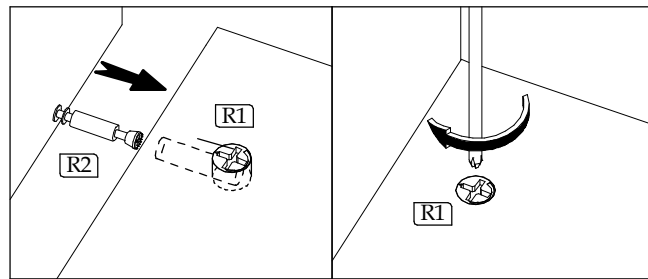
▶ 1



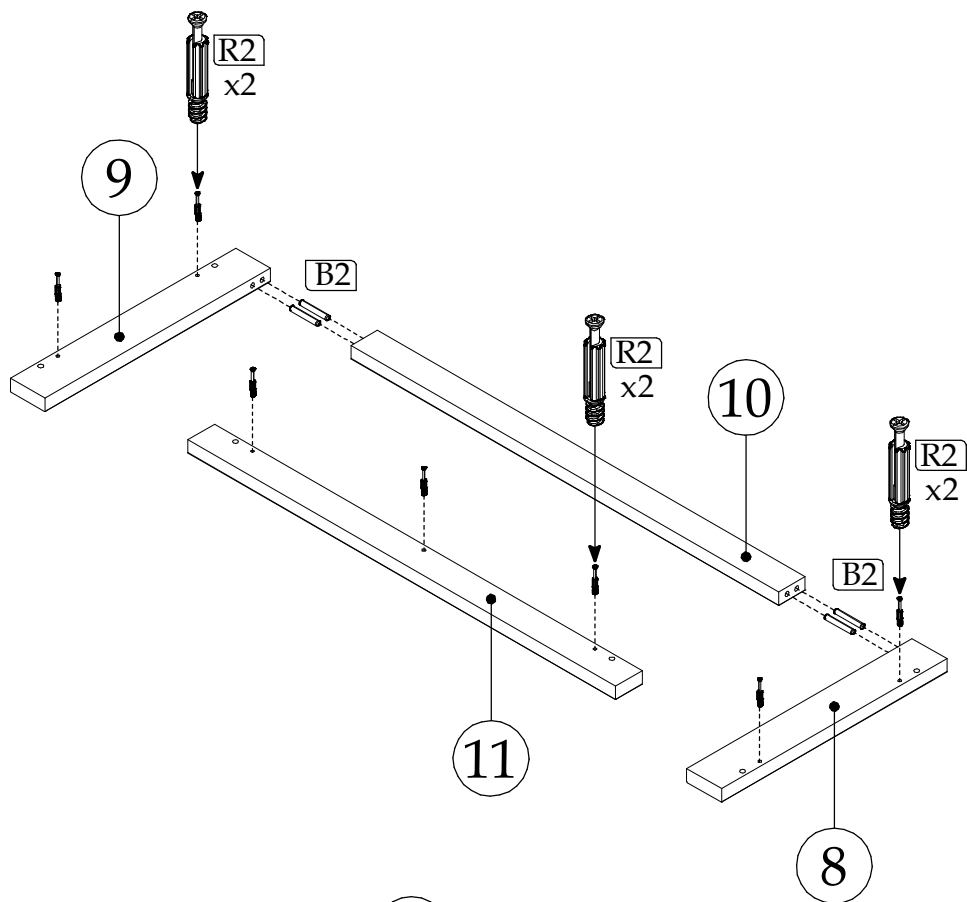
▶ 2



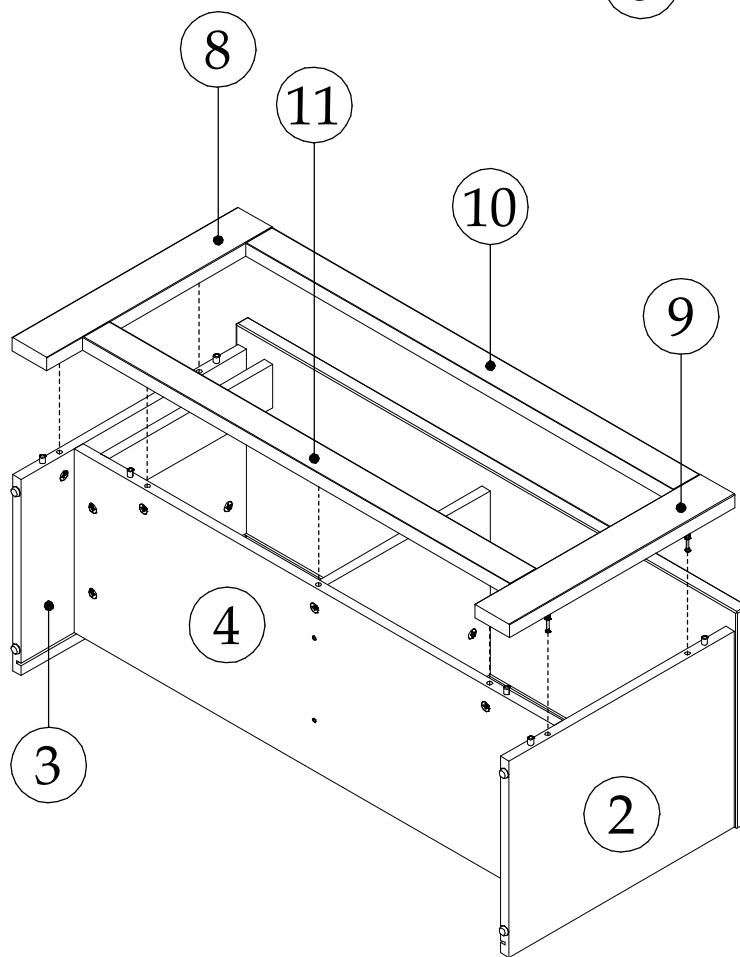
▶ 3



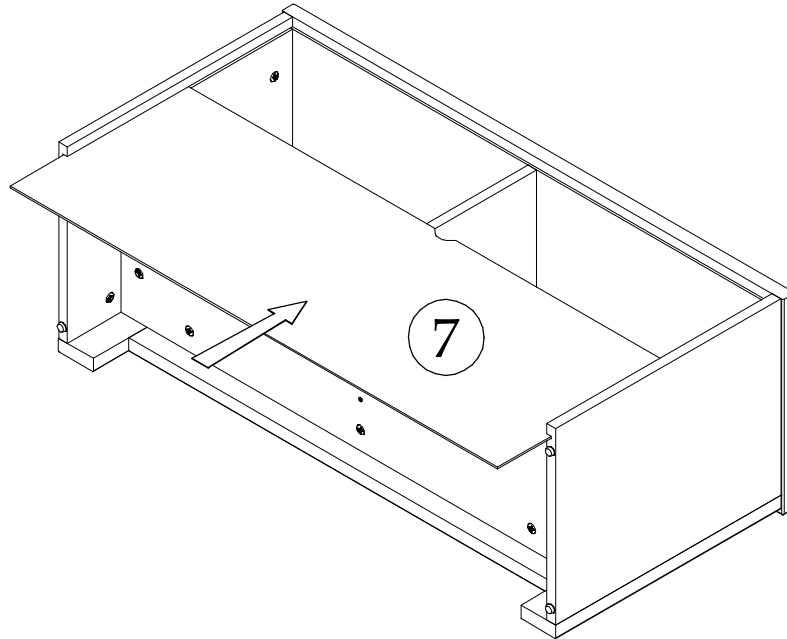
► 4



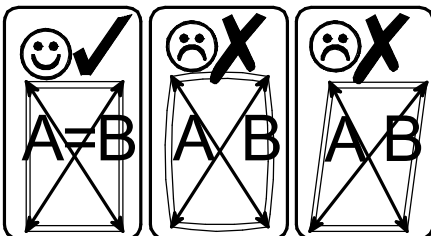
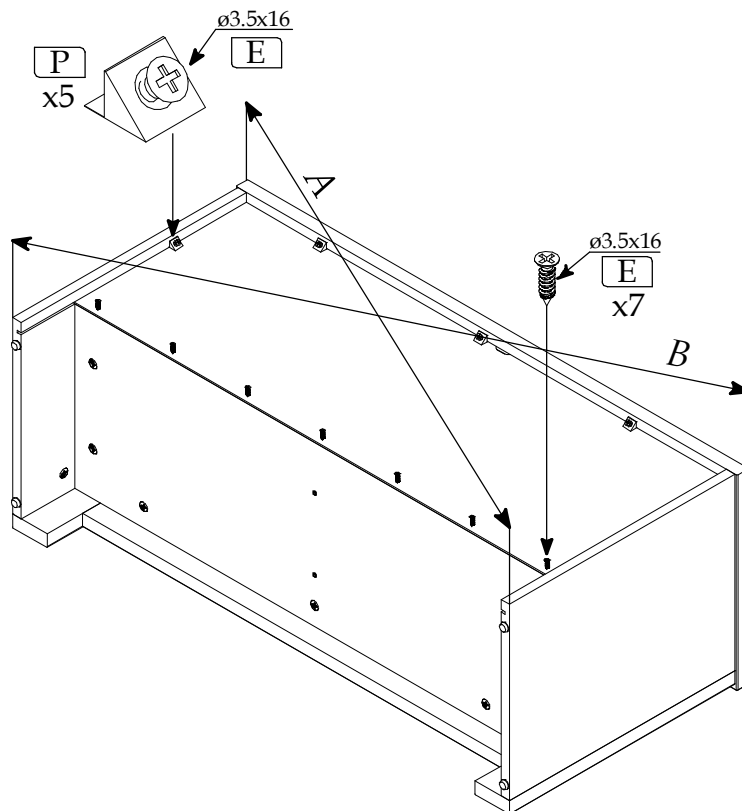
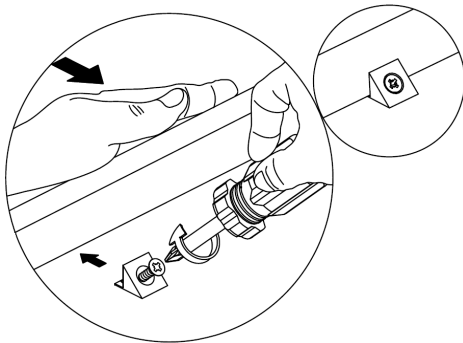
► 5



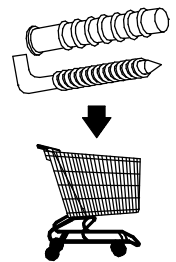
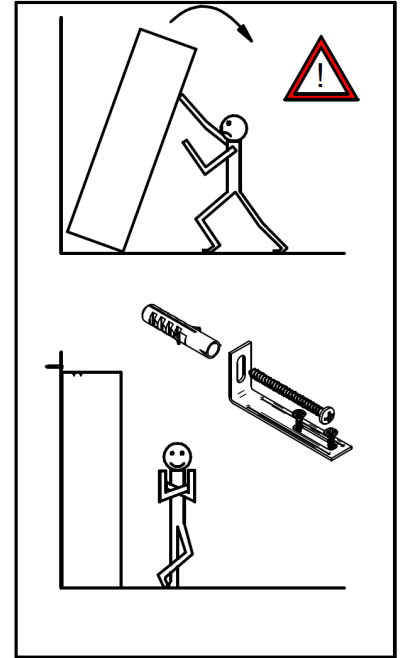
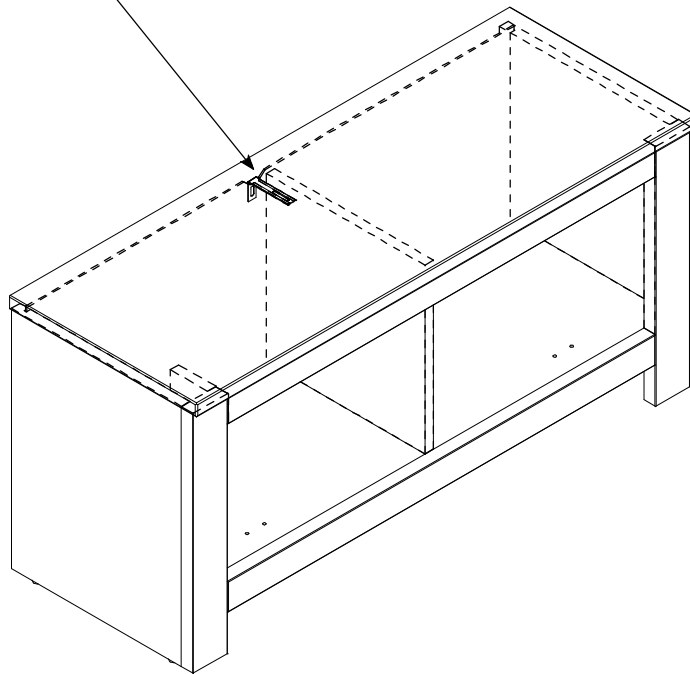
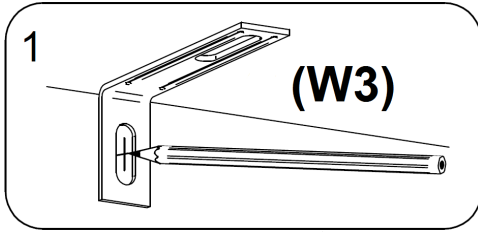
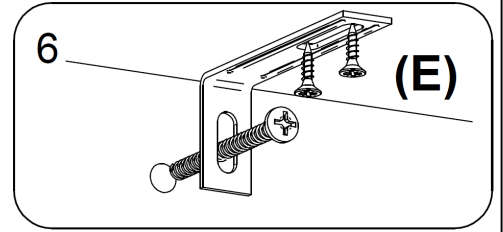
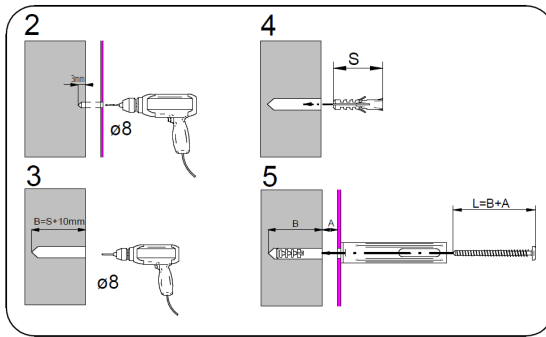
▶ 6



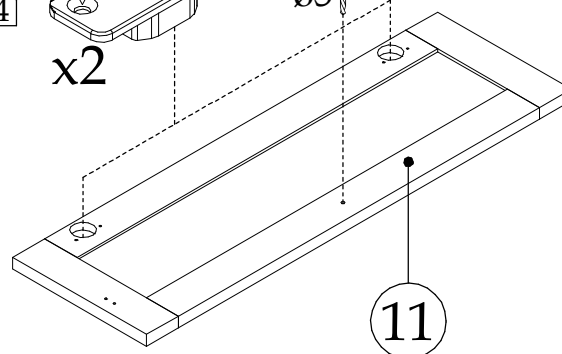
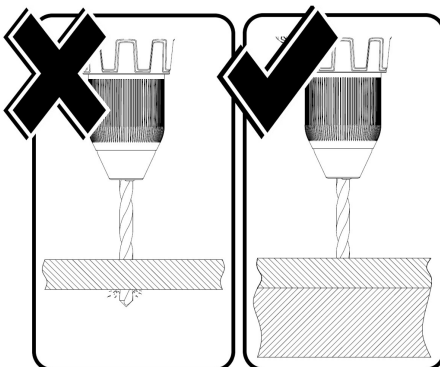
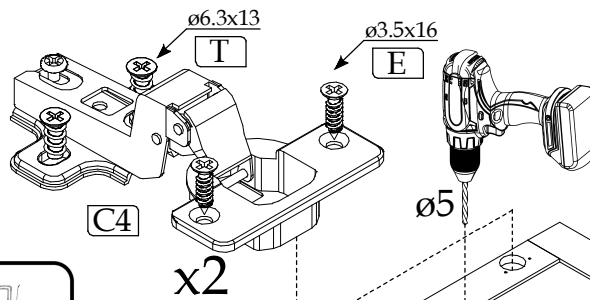
▶ 7



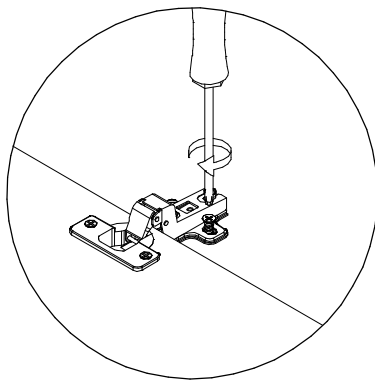
▶ 8



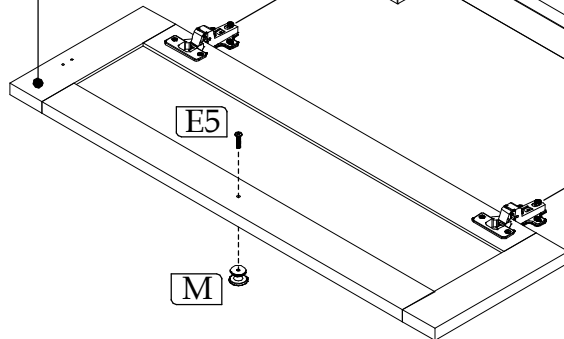
▶ 9



▶ 10



12



▶ 11

