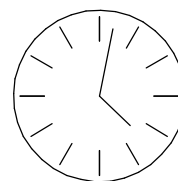
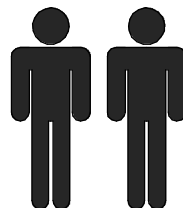
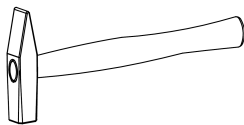
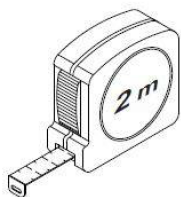
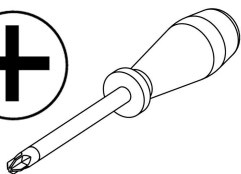
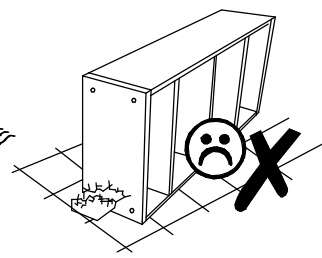
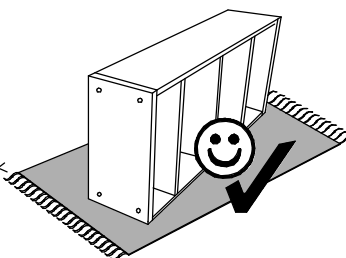
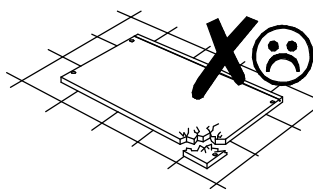
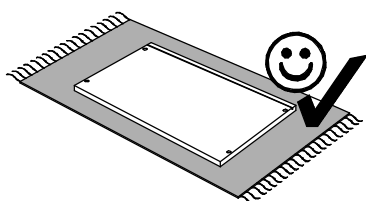
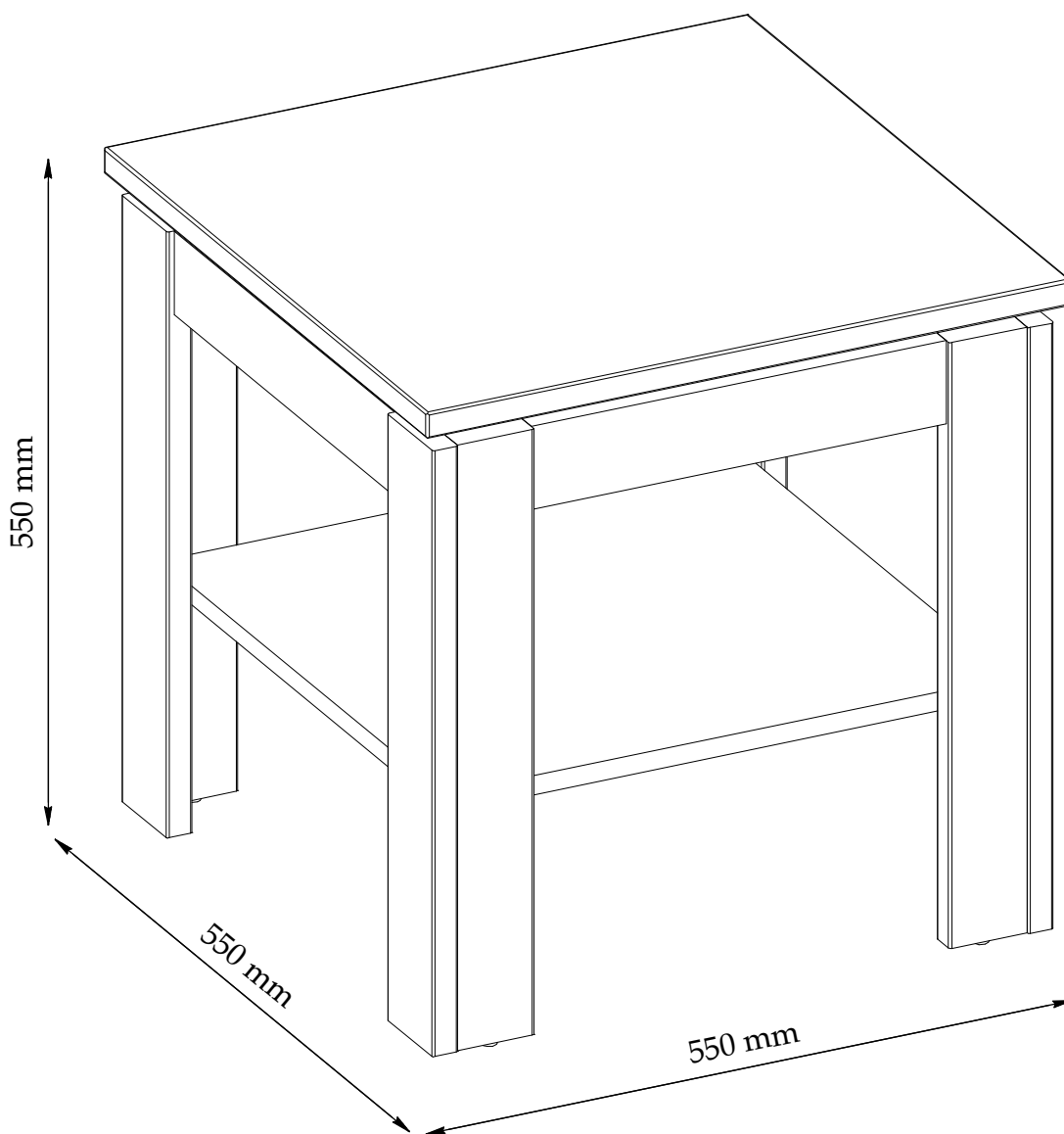
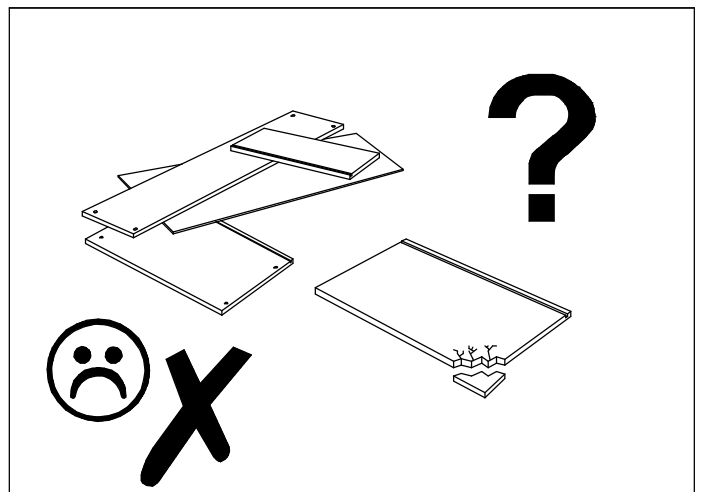
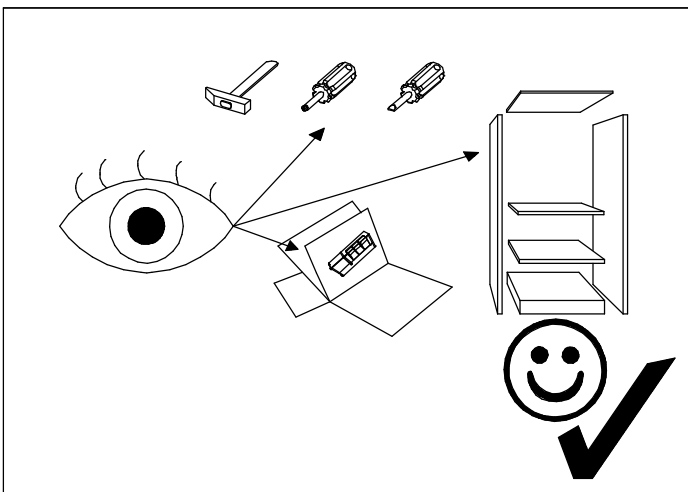
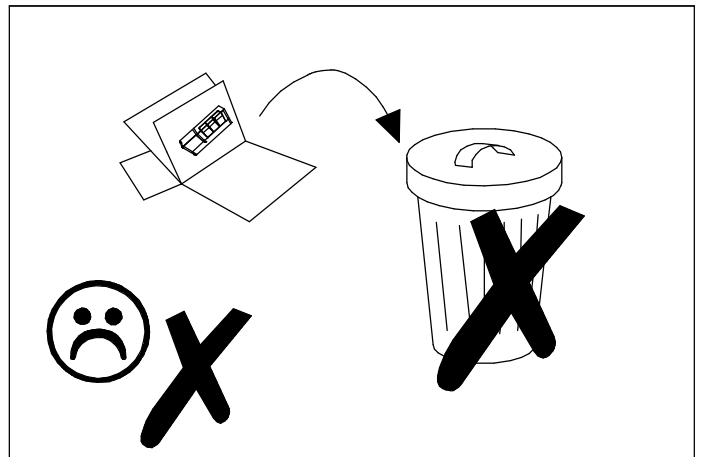
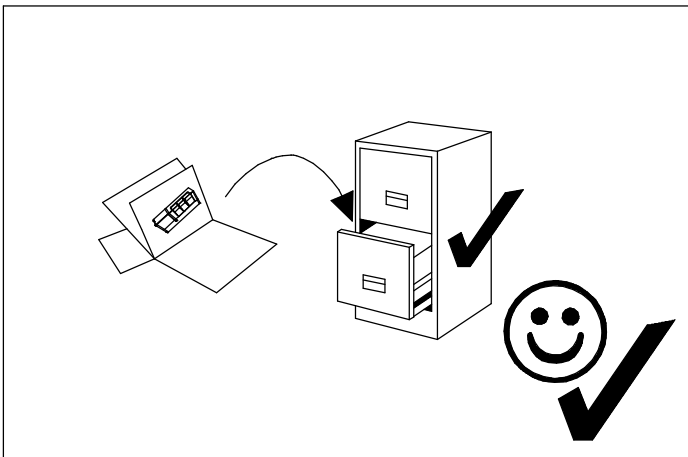
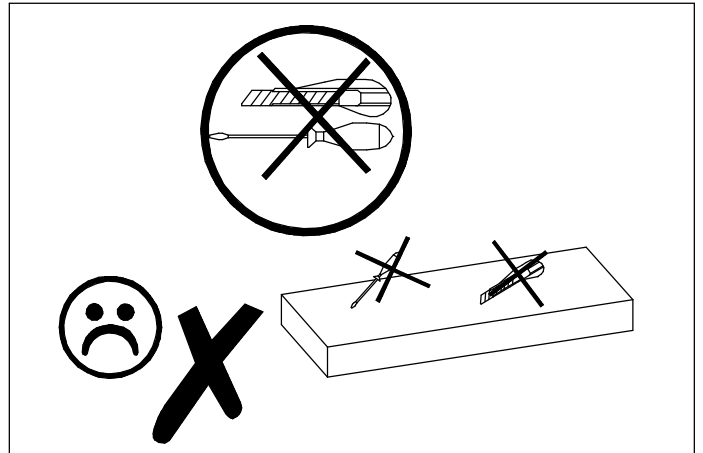
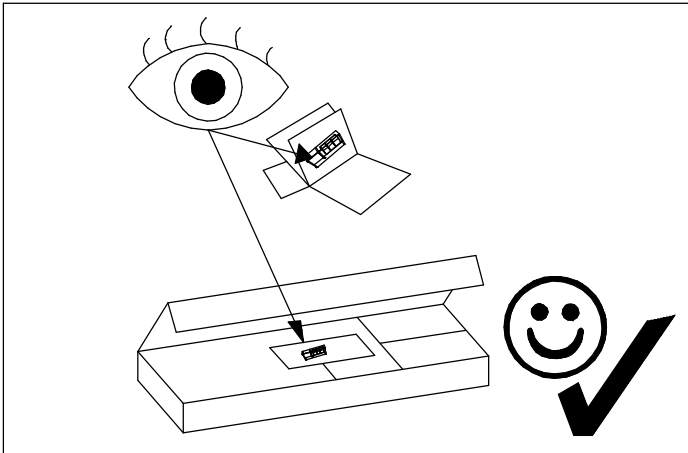


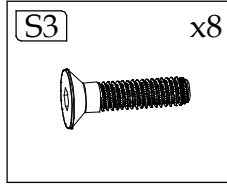
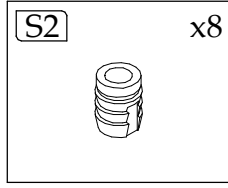
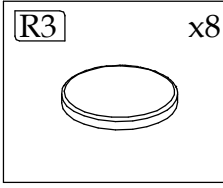
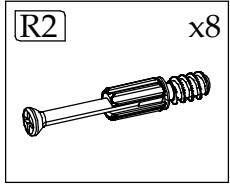
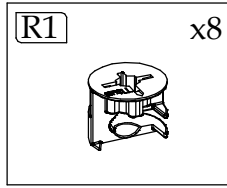
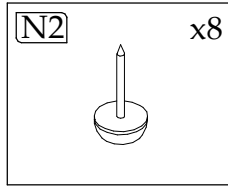
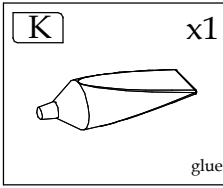
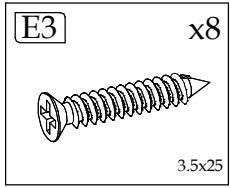
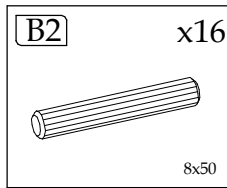
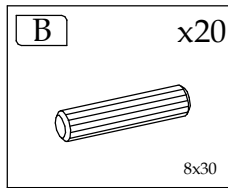
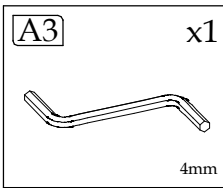
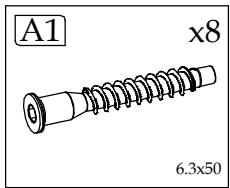
TORONTO T2



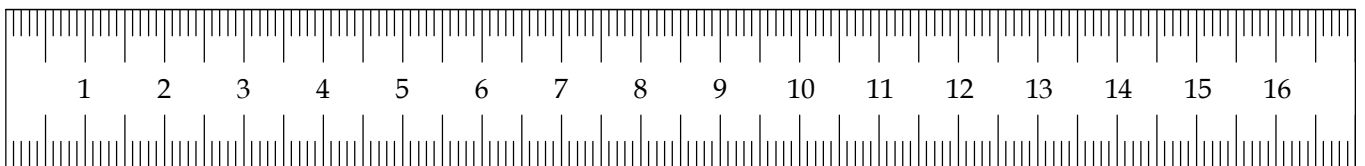
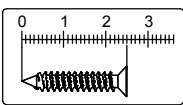
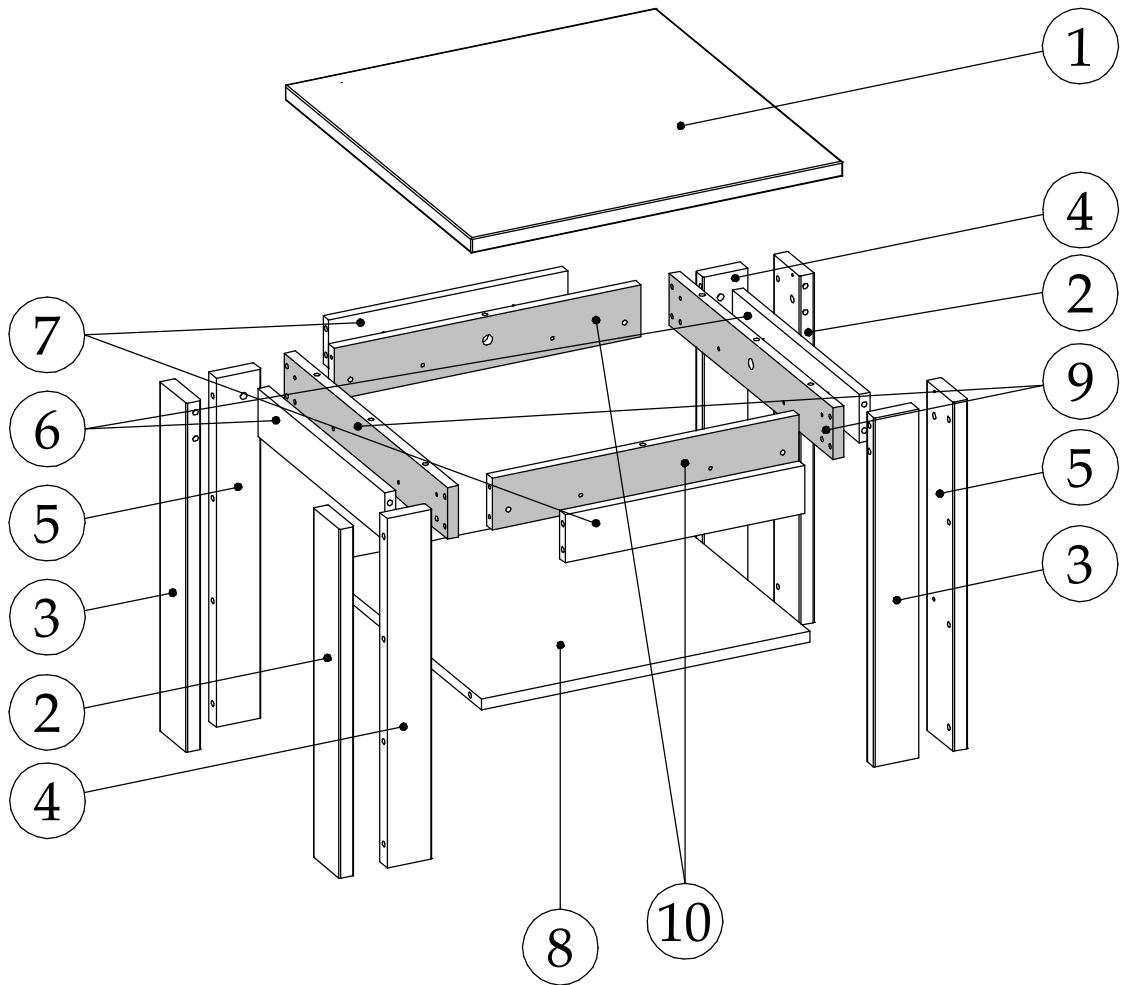
60 min

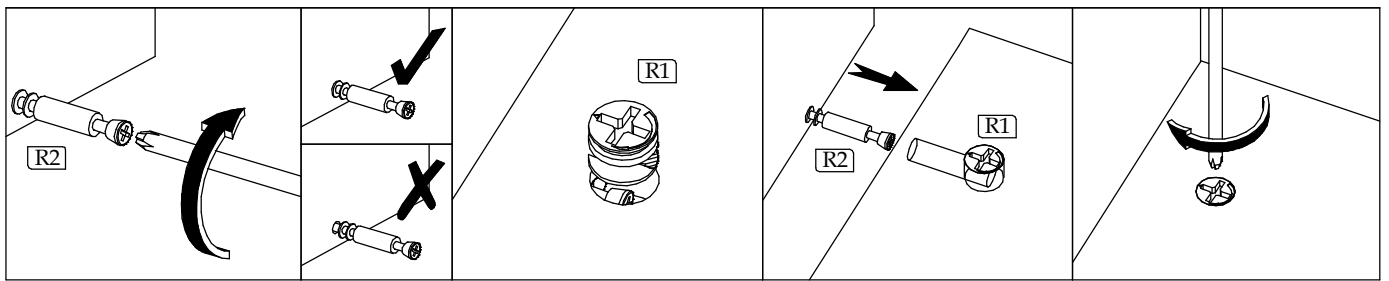




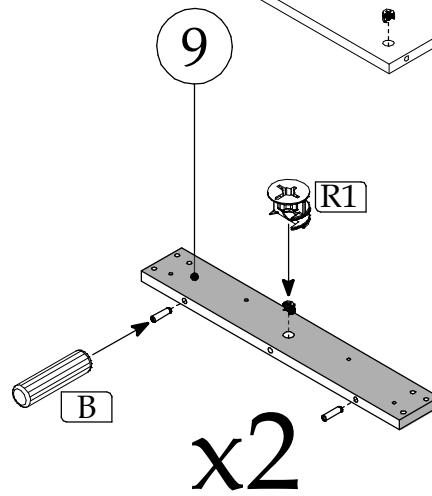
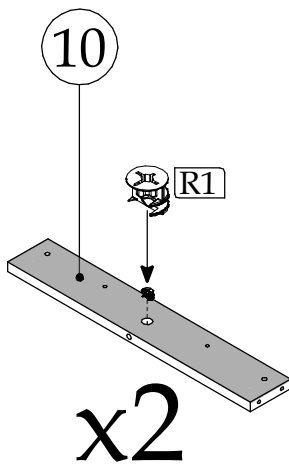
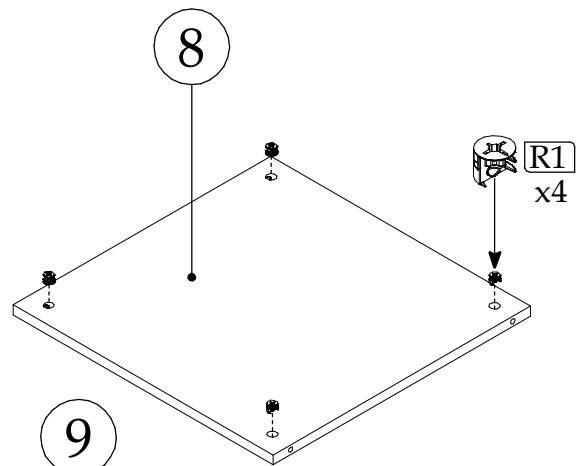
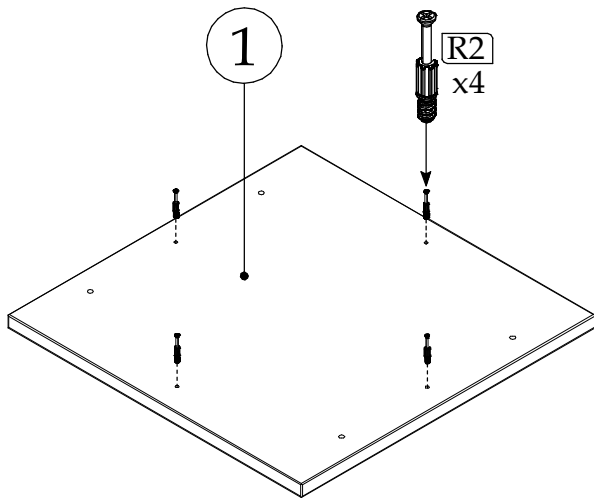


| Element symbol | Measurements | | | | Code | Pack |
|----------------|--------------|-----|----|---|------|------|
| | | | | | | |
| 1 | 550 | 550 | 22 | 1 | 1002 | 1/1 |
| 2 | 507 | 78 | 22 | 2 | 1003 | 1/1 |
| 3 | 507 | 78 | 22 | 2 | 1005 | 1/1 |
| 4 | 507 | 66 | 22 | 2 | 1006 | 1/1 |
| 5 | 507 | 66 | 22 | 2 | 1007 | 1/1 |
| 6 | 374 | 70 | 16 | 2 | 1004 | 1/1 |
| 7 | 354 | 70 | 16 | 2 | 1001 | 1/1 |
| 8 | 486 | 482 | 16 | 1 | 1008 | 1/1 |
| 9 | 482 | 75 | 16 | 2 | 1009 | 1/1 |
| 10 | 454 | 75 | 16 | 2 | 1010 | 1/1 |

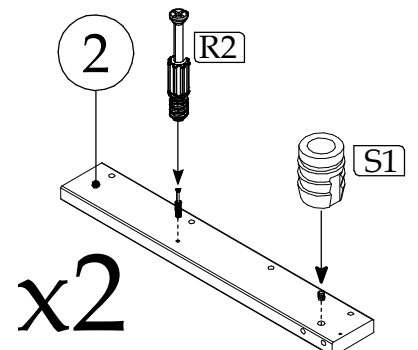
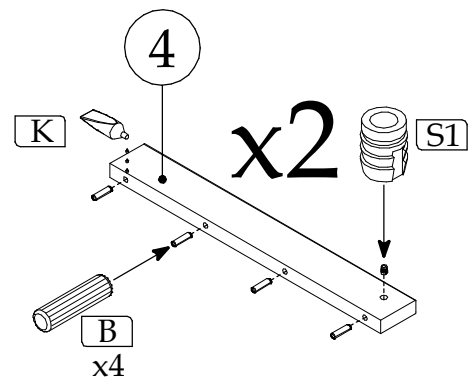
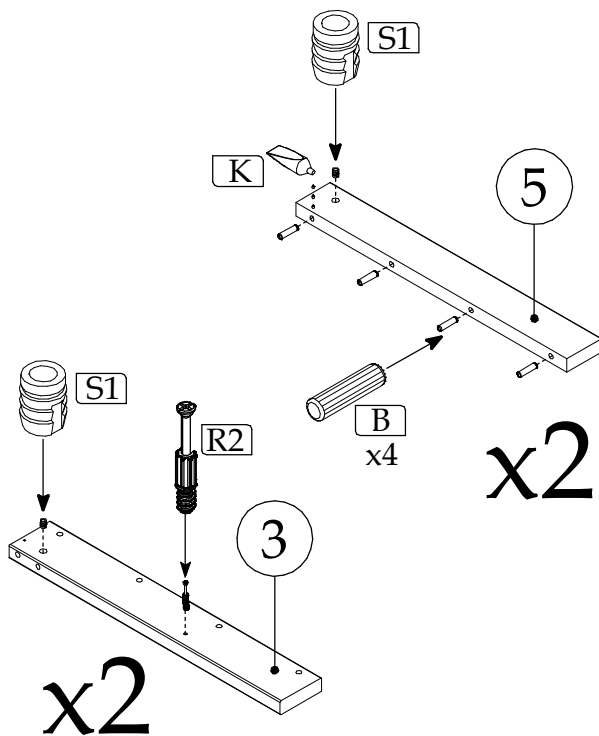




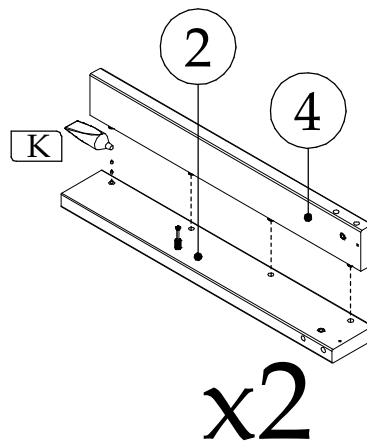
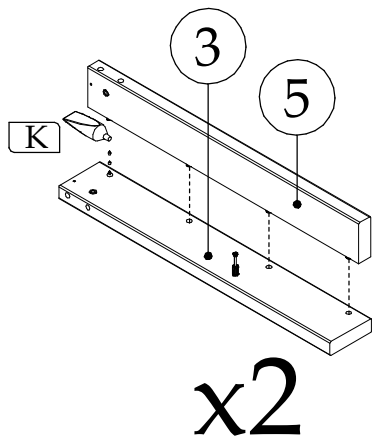
▶ 1



▶ 2



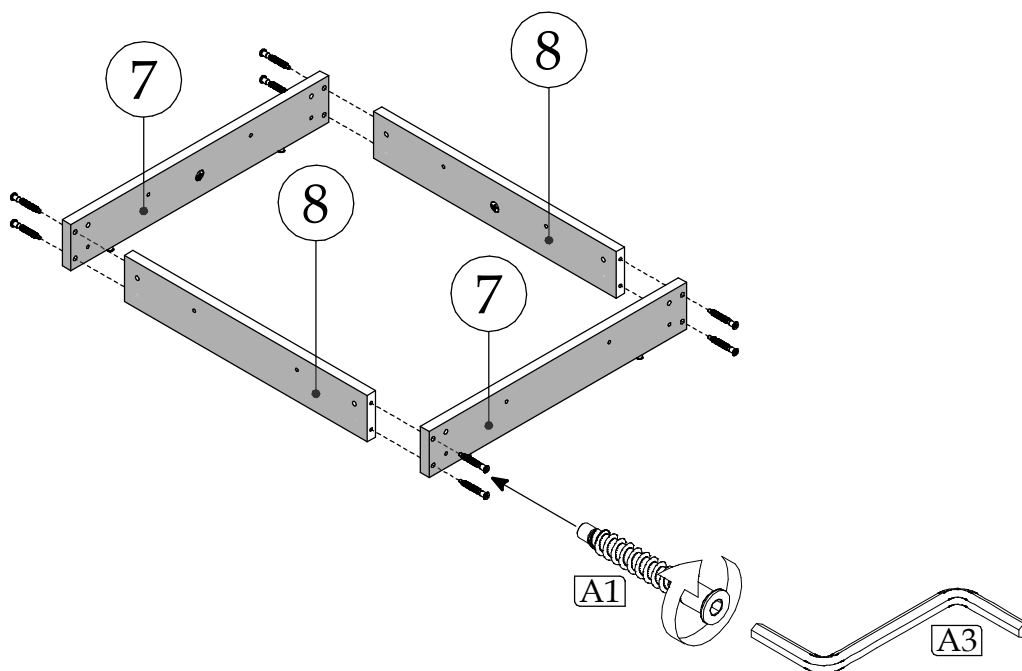
▶ 3



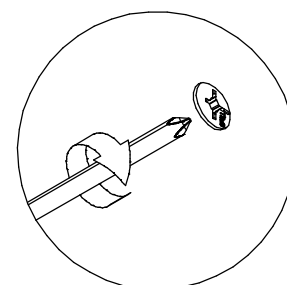
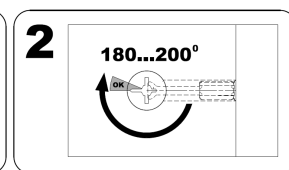
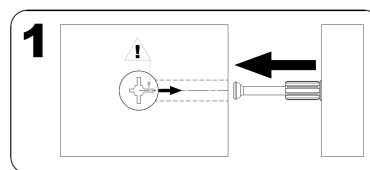
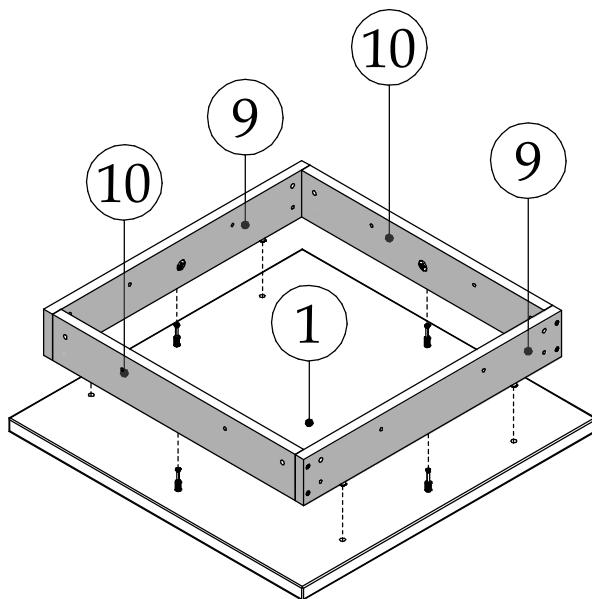
x2

x2

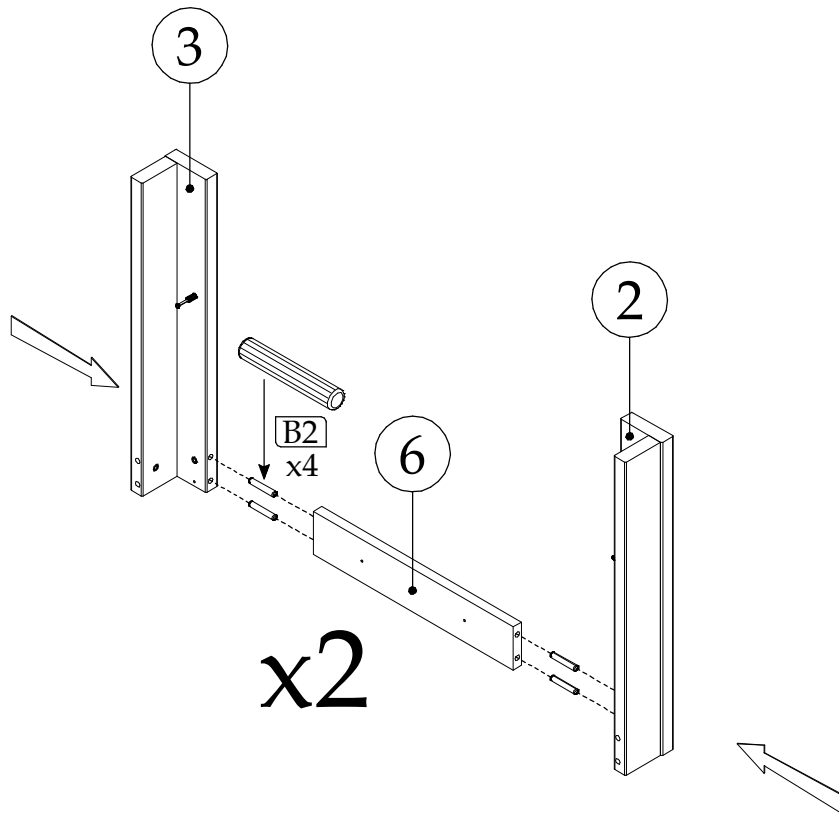
▶ 4



▶ 5

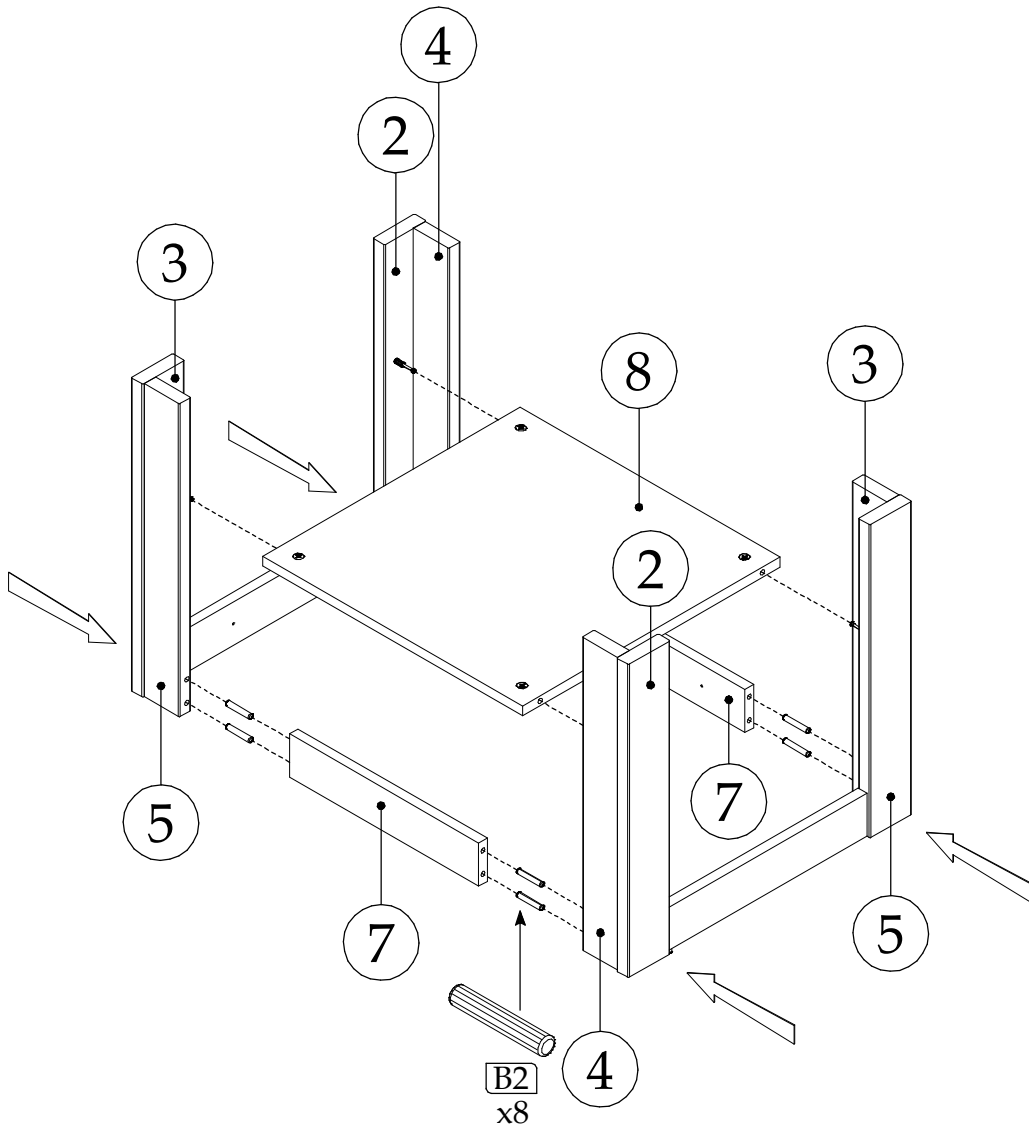


▶ 6

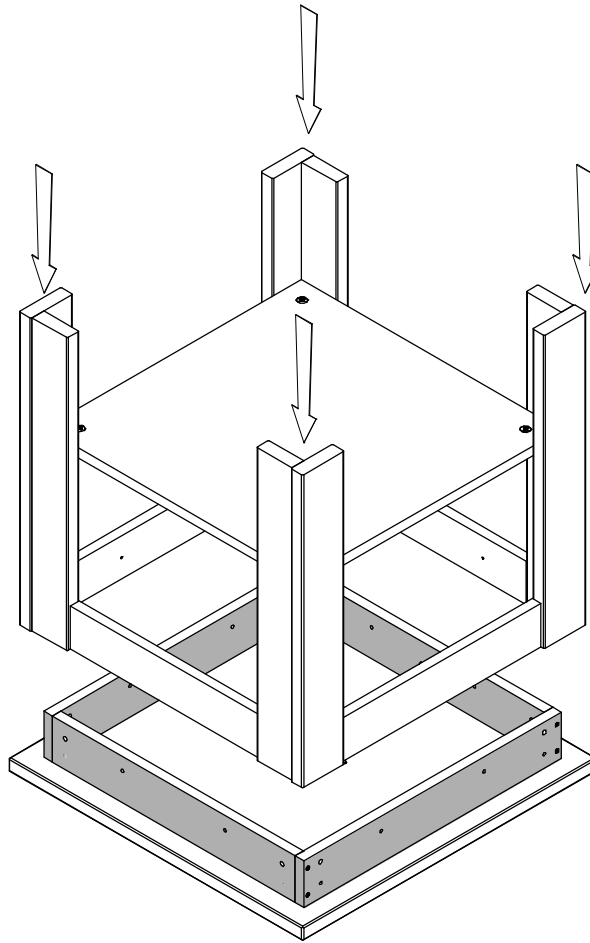


x2

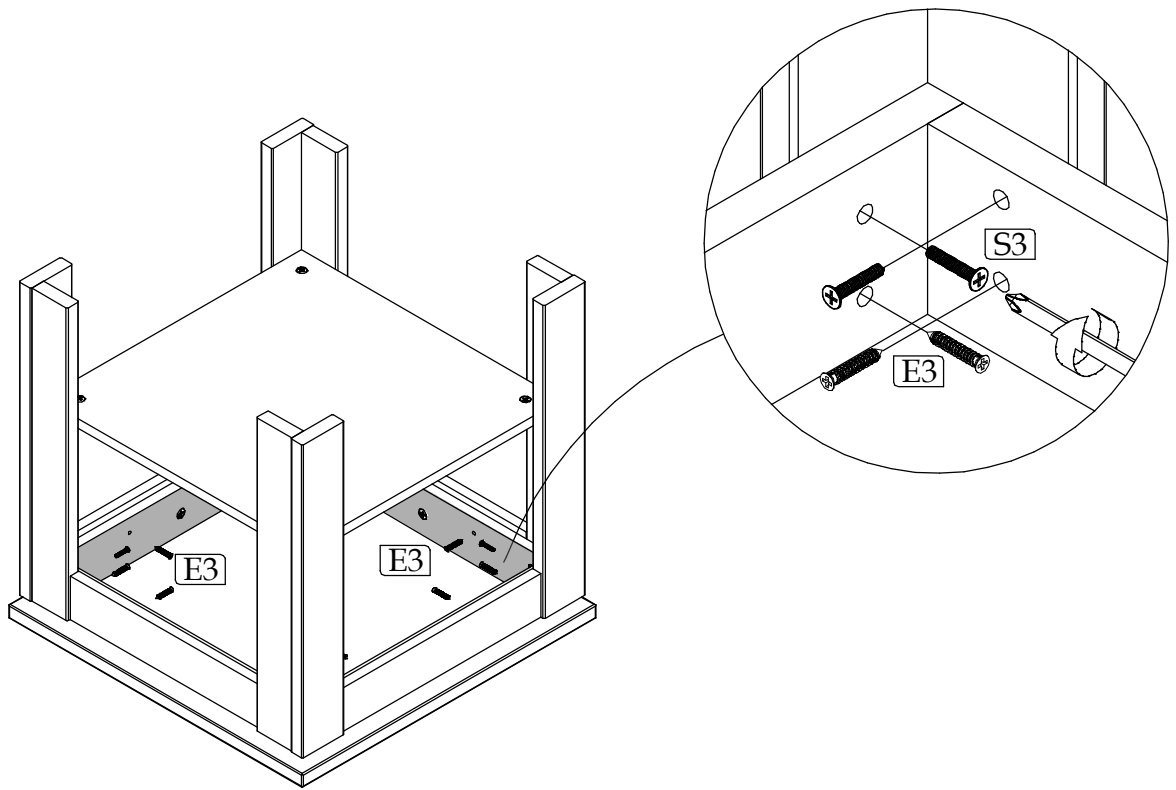
▶ 7



▶ 8



▶ 9



► 10

