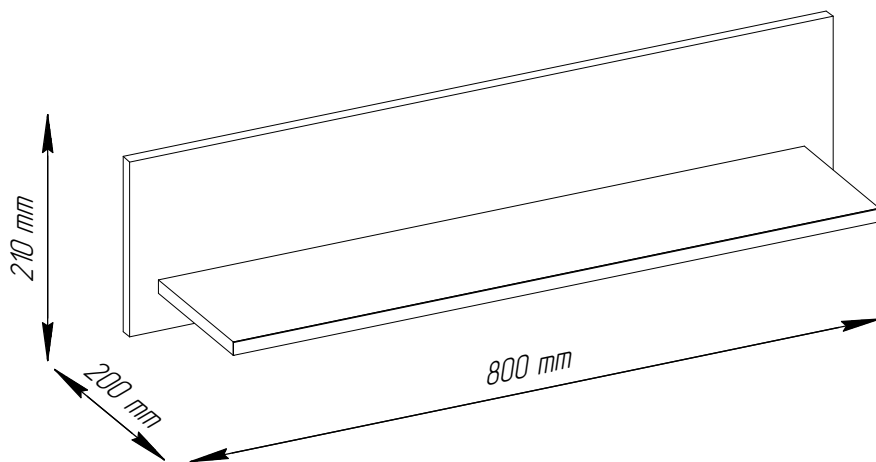
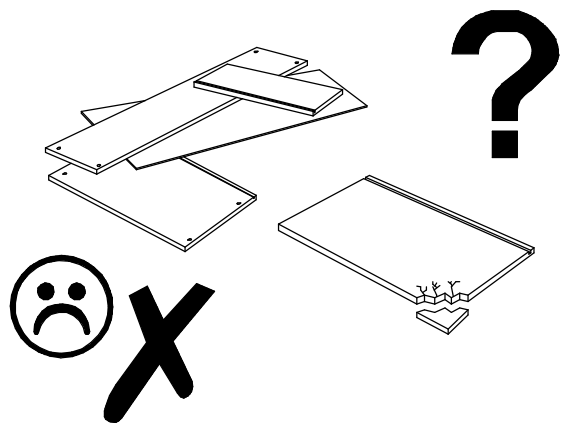
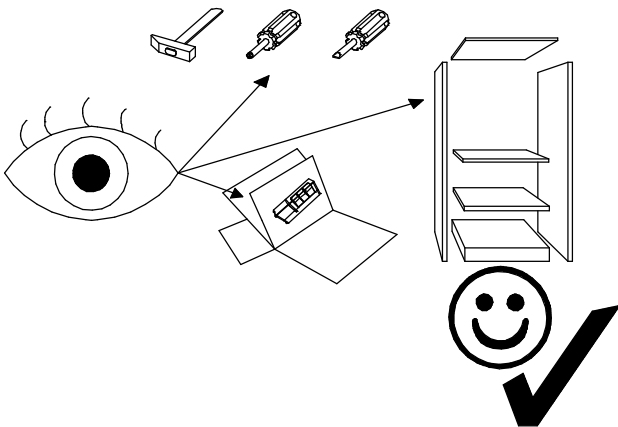
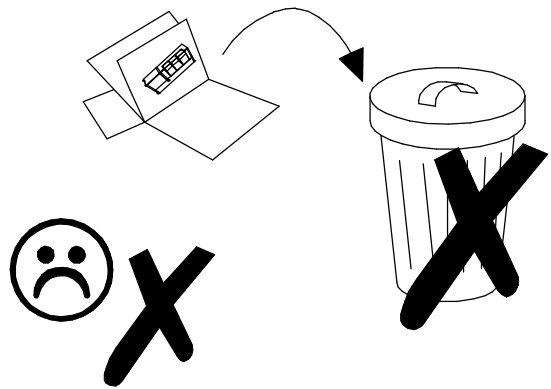
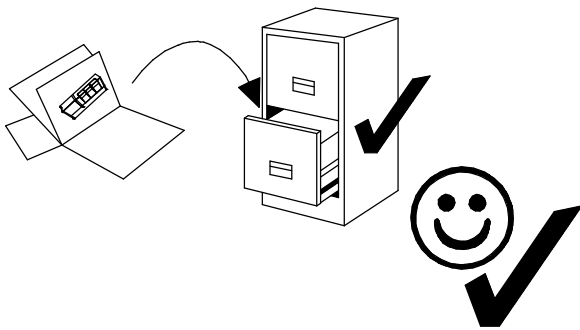
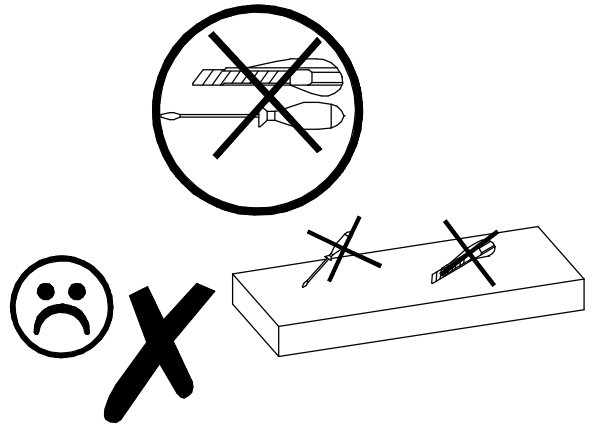
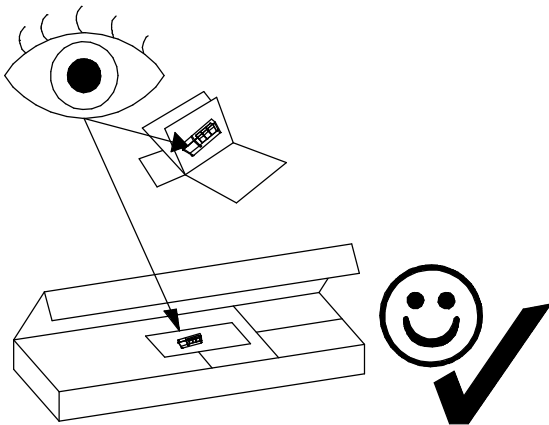
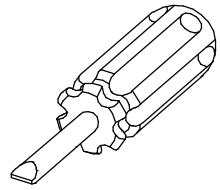
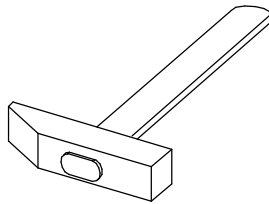
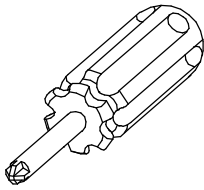
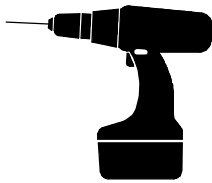
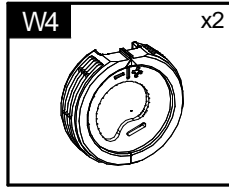
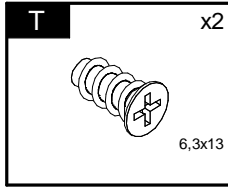
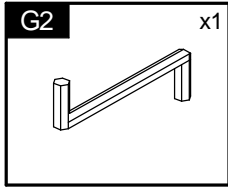
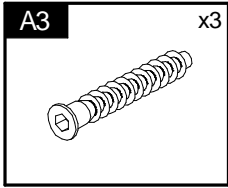


Toronto

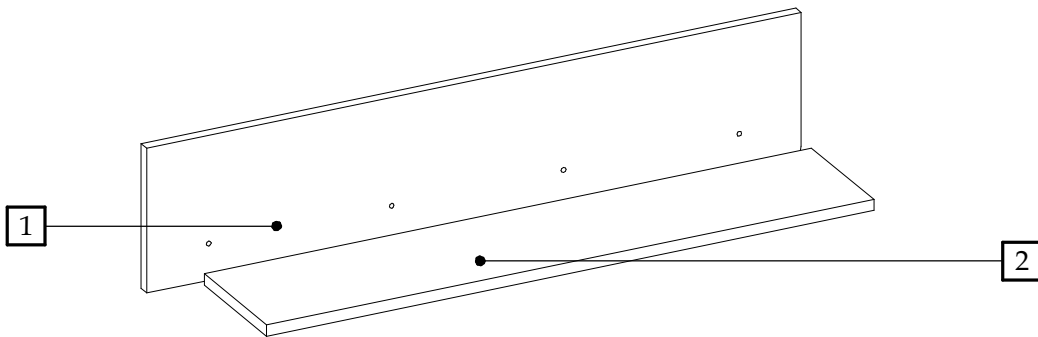
Typ U



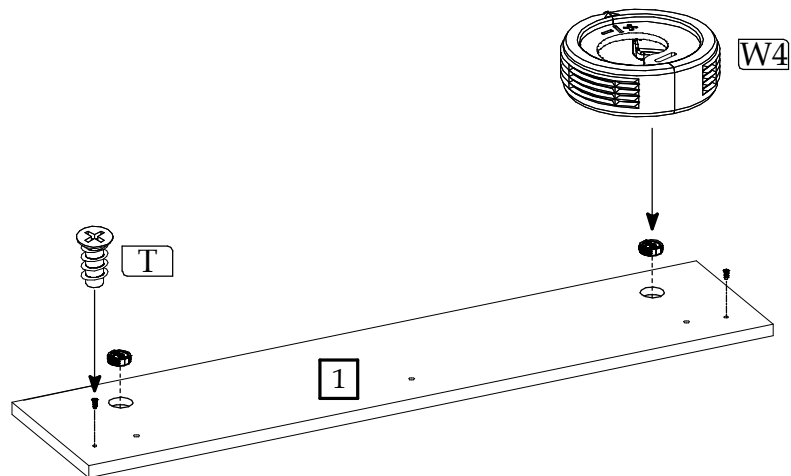




Element symbol	Measurements				Code	Paket
1	800	210	16	1	1002	1/1
2	780	184	16	1	1001	1/1



1



2

