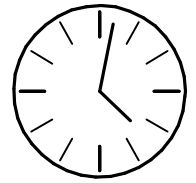
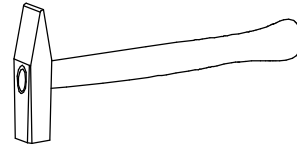
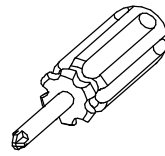
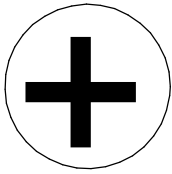
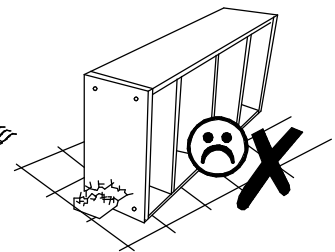
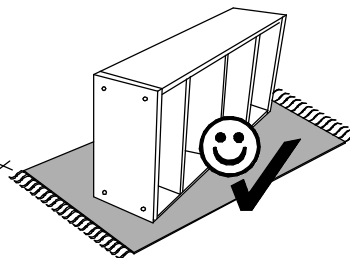
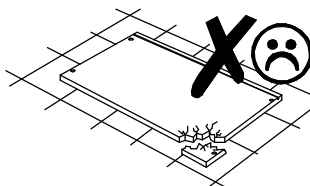
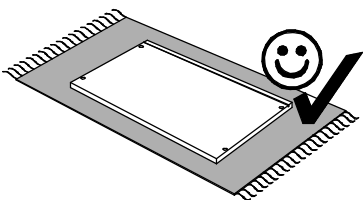
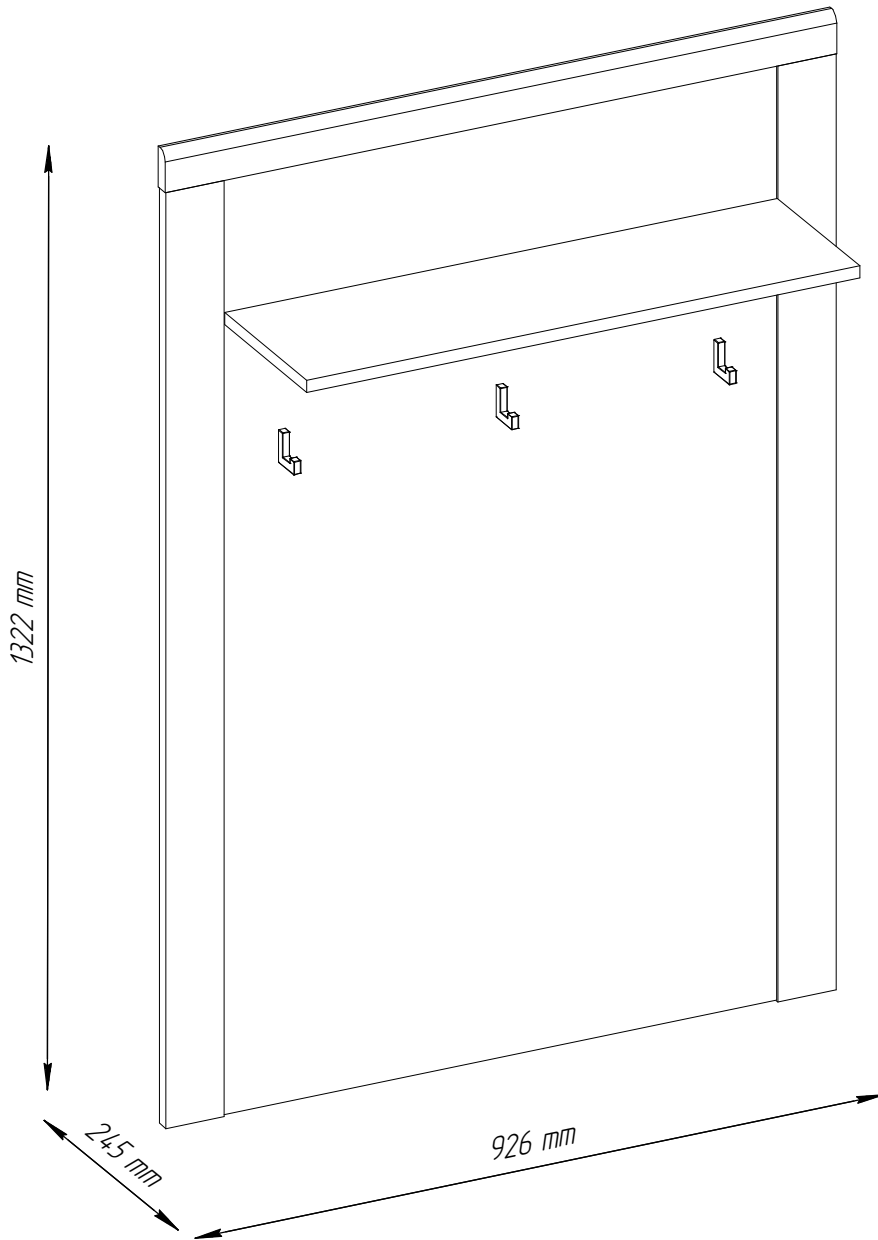
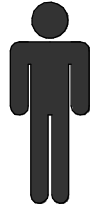
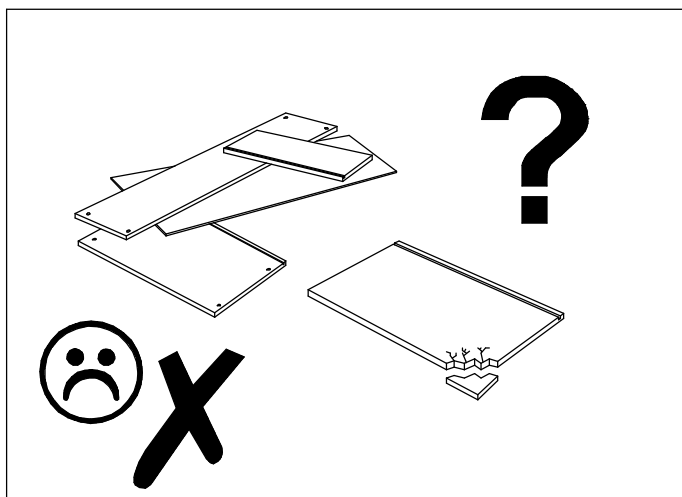
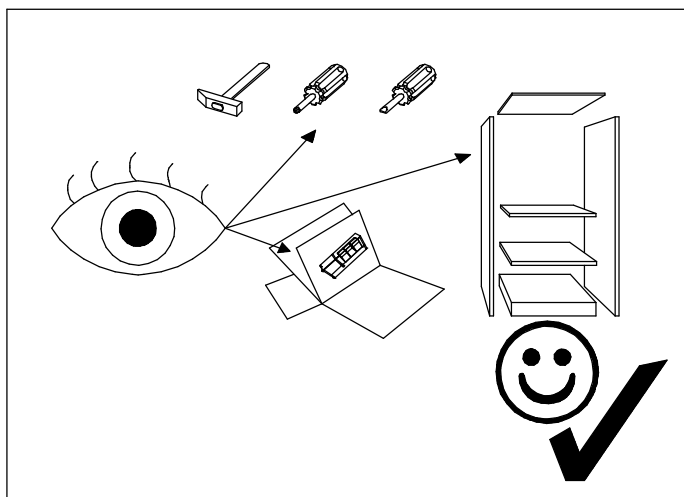
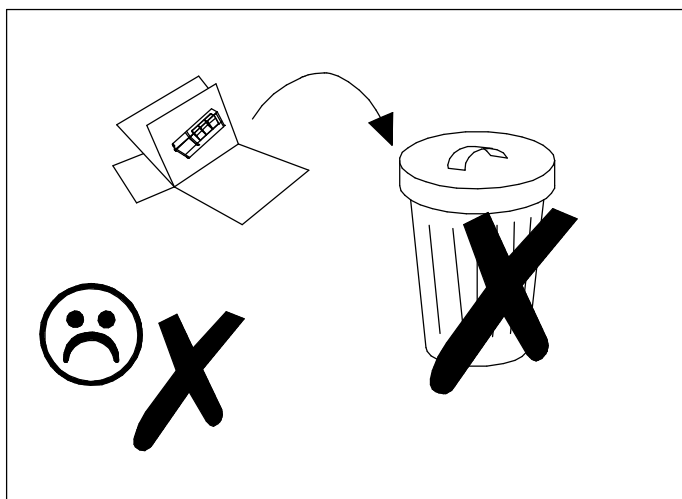
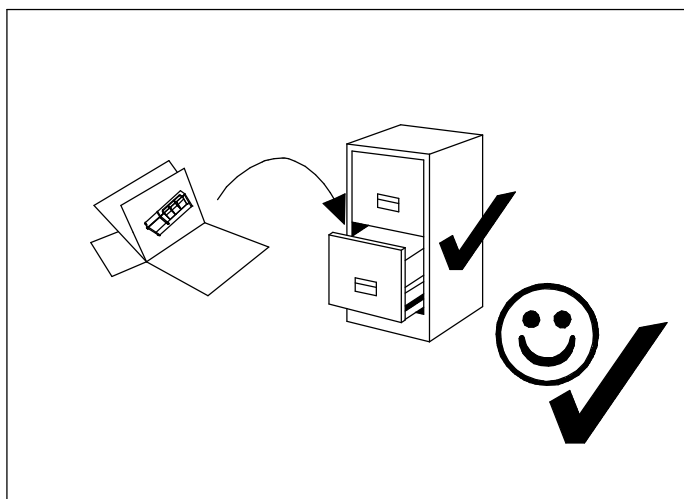


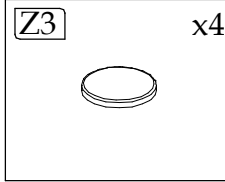
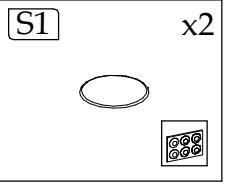
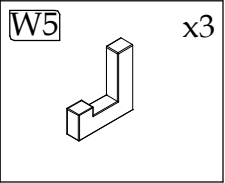
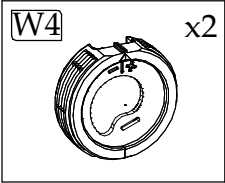
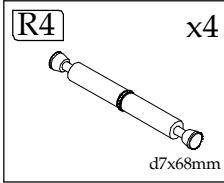
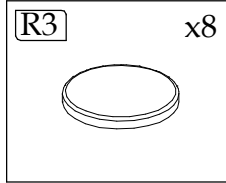
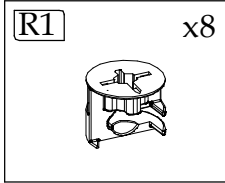
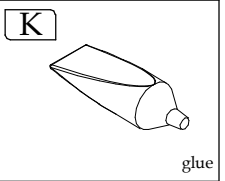
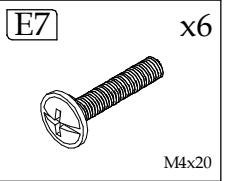
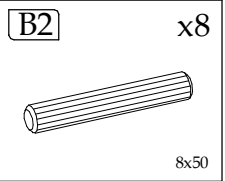
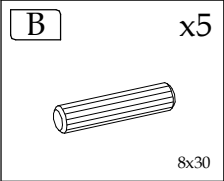
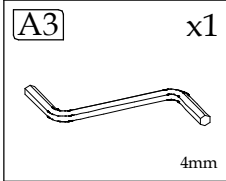
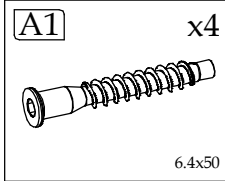
# VIGO H



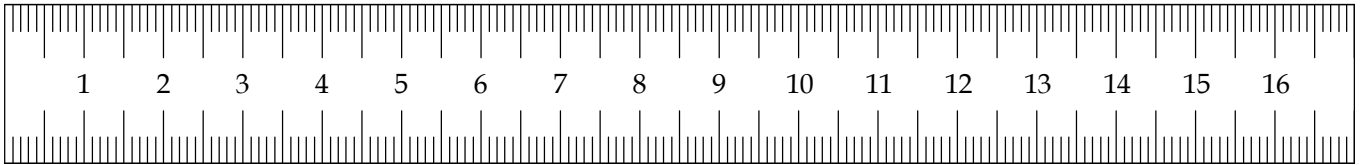
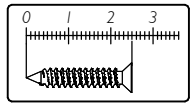
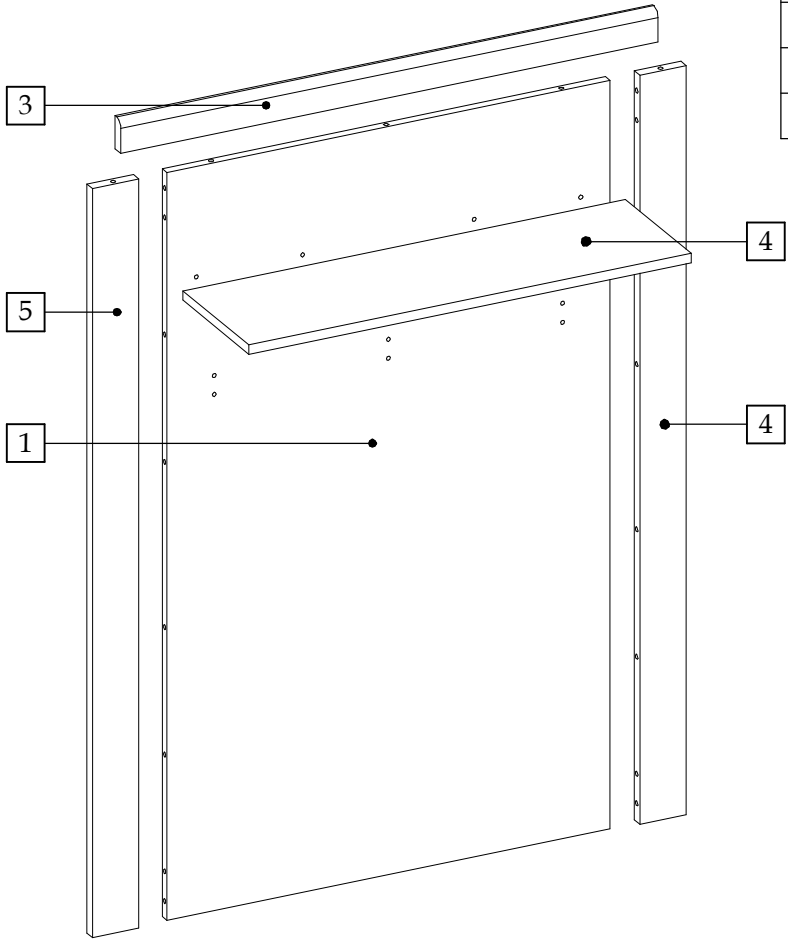
70 min

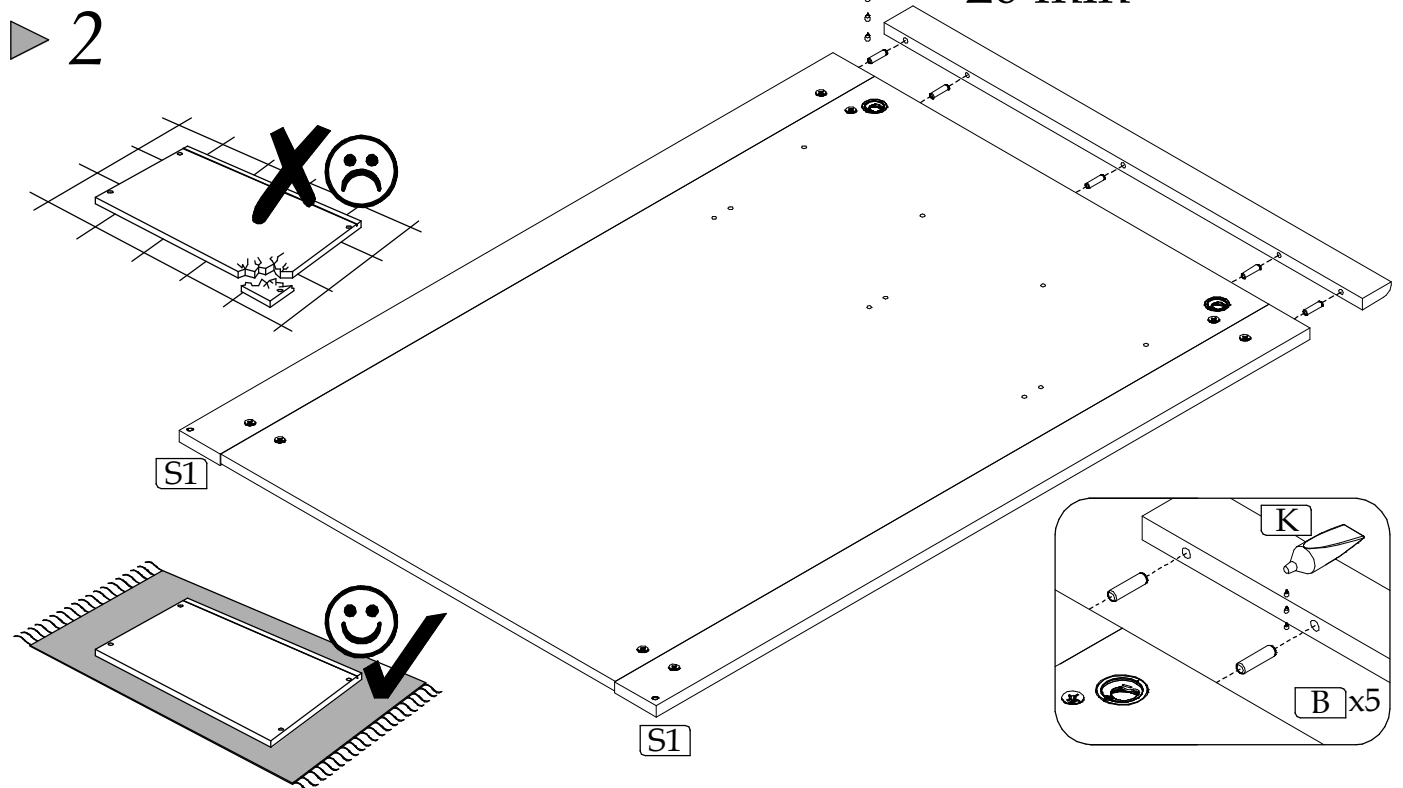
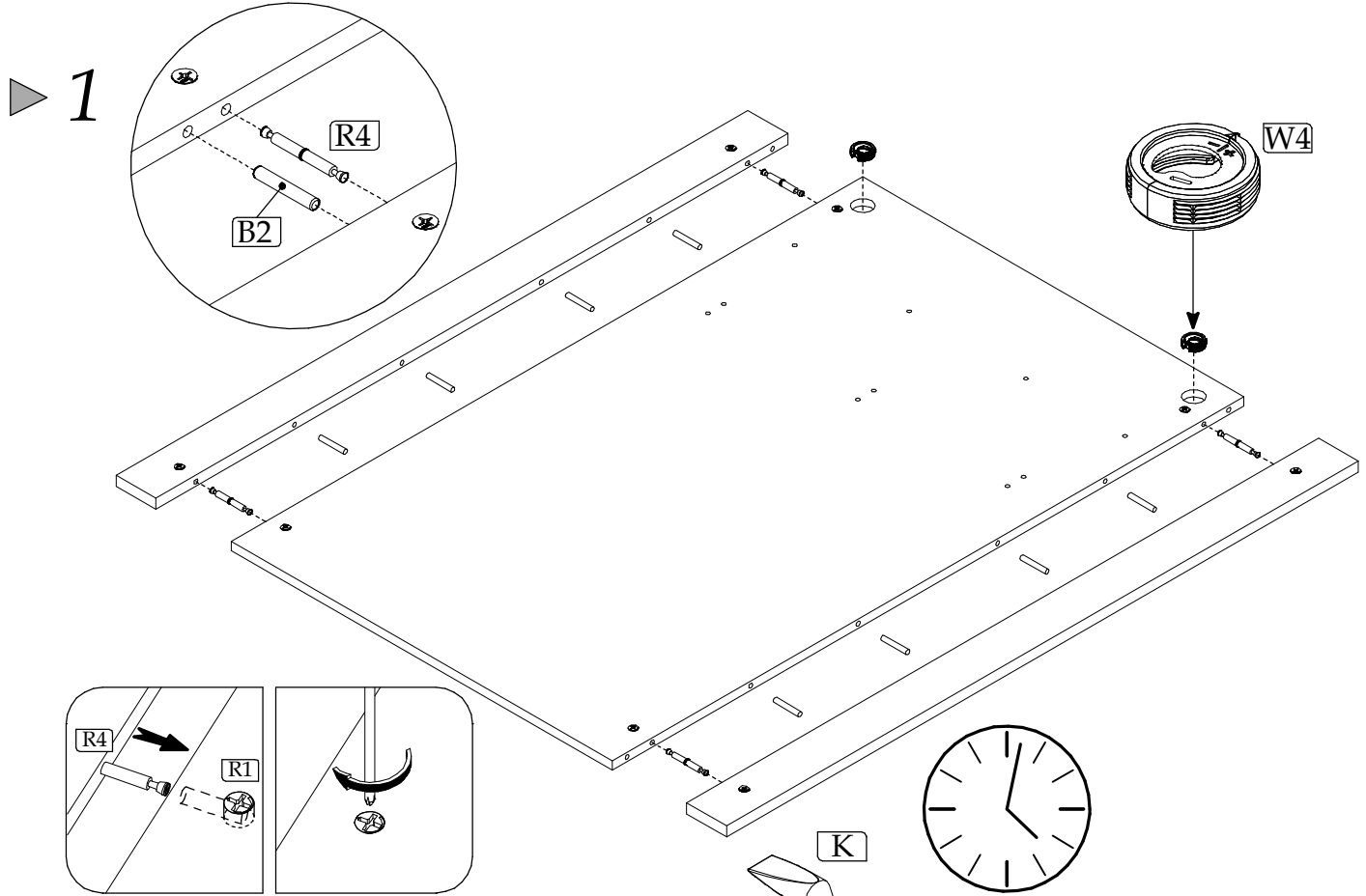
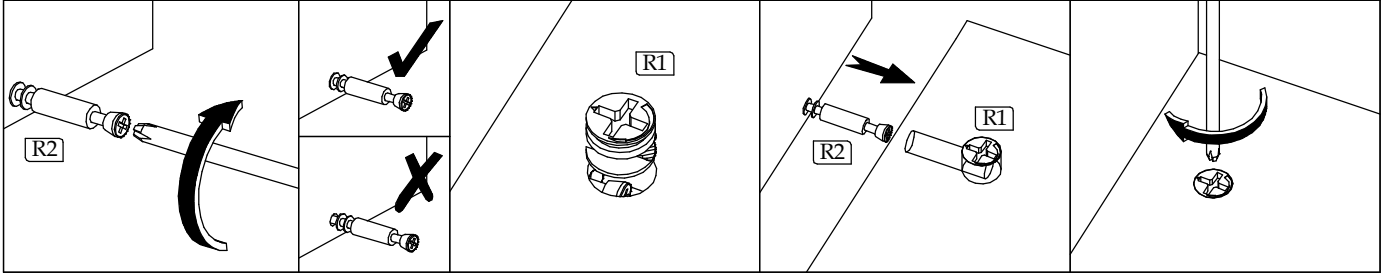




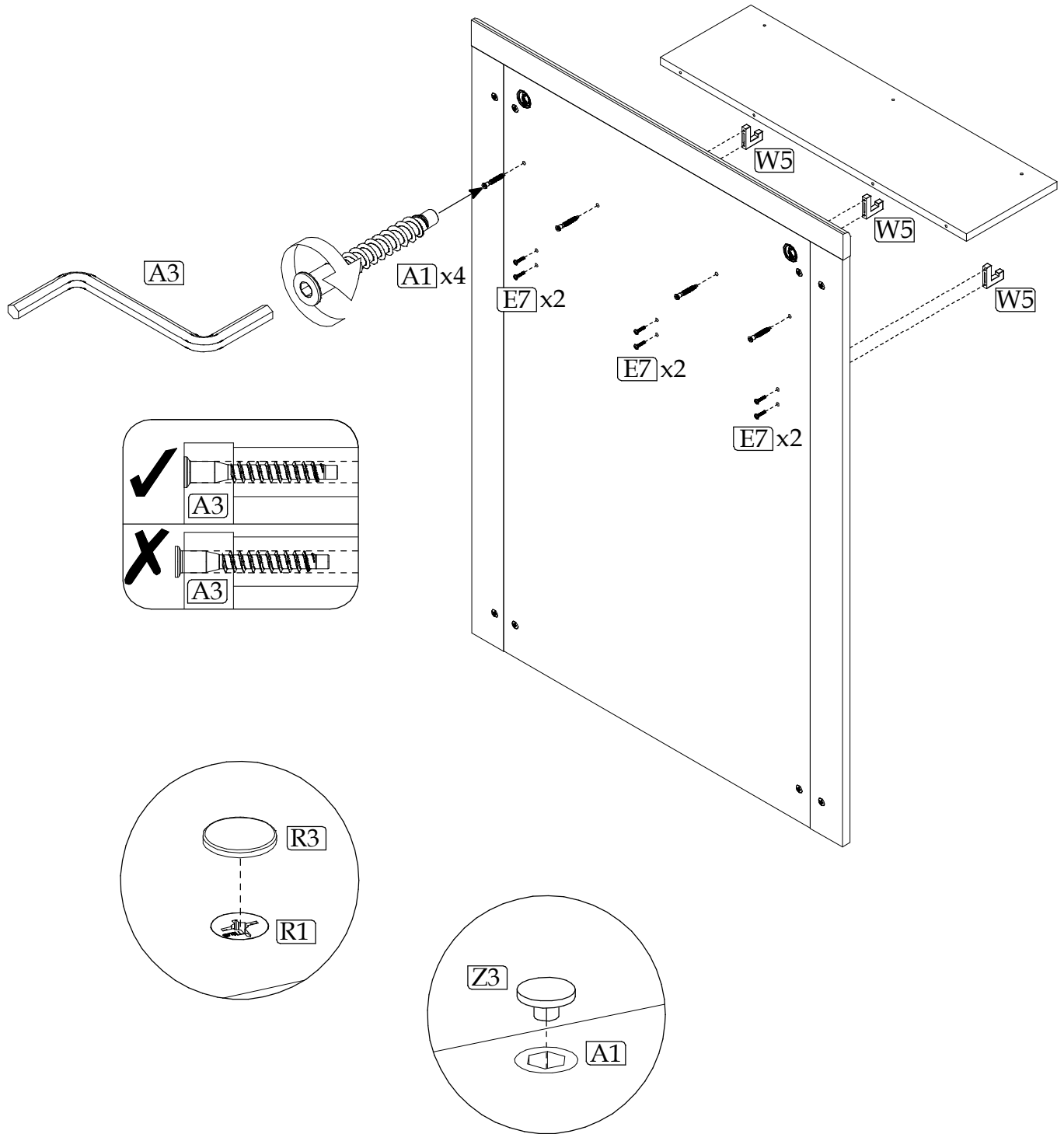


Element symbol	Measurements				Code	Paket
	1	2	3	4		
<b>1</b>	1265	763	16	1	1001	1/1
<b>2</b>	762	226	16	1	1002	1/1
<b>3</b>	928	57	16	1	1042/3001	1/1
<b>4</b>	1268	82	16	1	1043/3002	1/1
<b>5</b>	1268	82	16	1	1043/3003	1/1

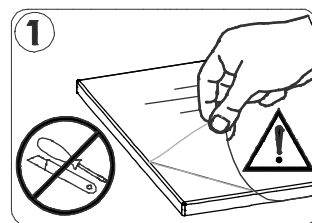
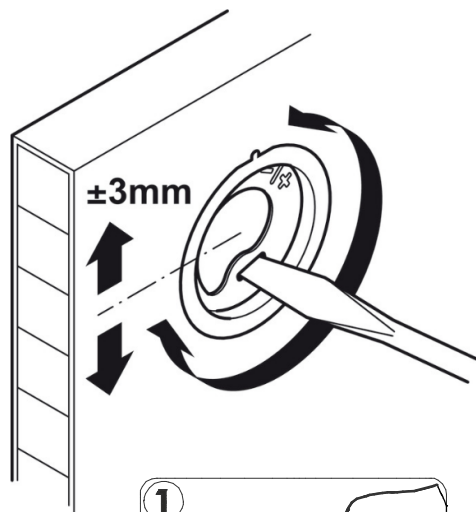
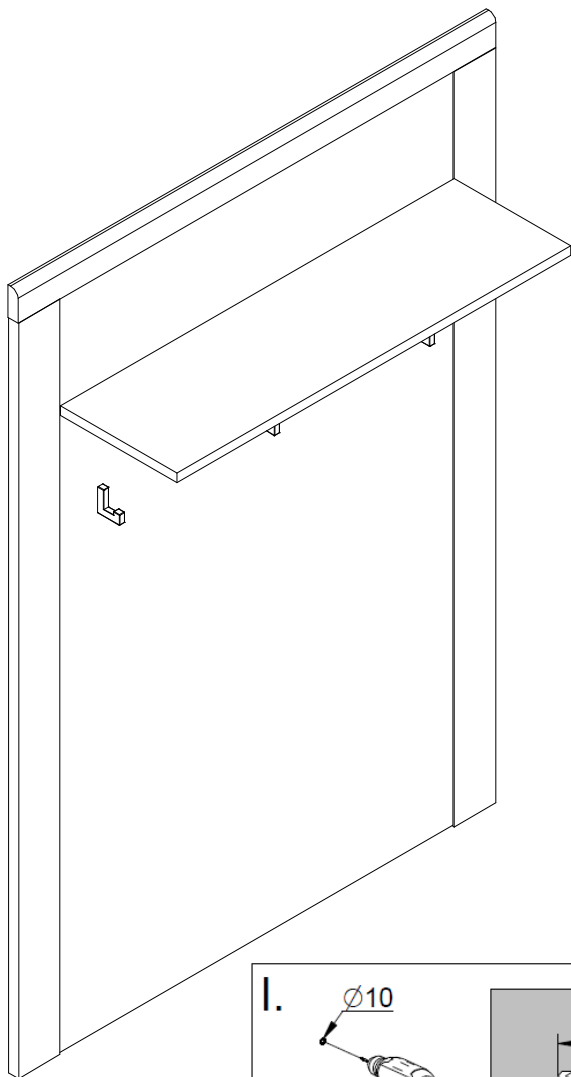




▶ 3



▶ 4



<p>I.</p> <p><math>\varnothing 10</math></p> <p><math>h</math></p> <p><math>h &gt; 60\text{mm}</math></p>	<p>II.</p> <p>* <math>\varnothing 10 \times 50</math></p>
<p>III.</p>	<p>IV.</p>

